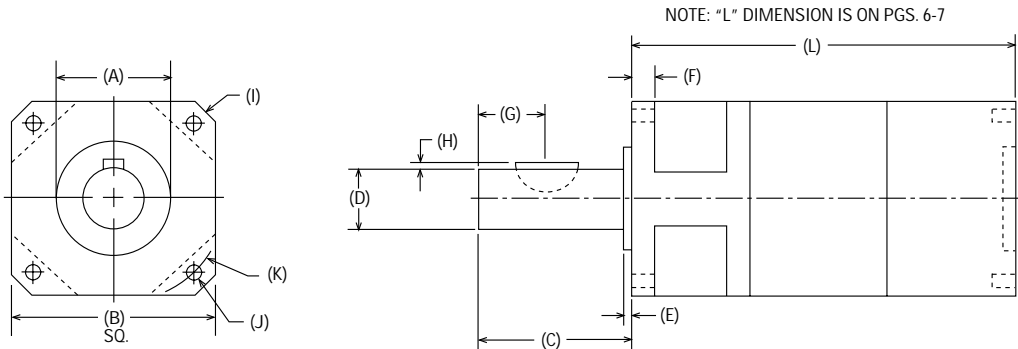


PL SERIES: PRIME™ PLANETARY GEARHEADS

SINGLE, DOUBLE, TRIPLE STAGE PRECISION HIGH PERFORMANCE GEARHEADS



PART NUMBER	A PILOT DIAMETER (in.)	B SQUARE FLANGE (in.)	C SHAFT LENGTH (in.)	D SHAFT DIAMETER (in.)	E PILOT LENGTH (in.)	F FLANGE THICKNESS (in.)	G KEY LOCATION (in.)
017PLX	.864/.866	1.65	1.25	.4995/.5000	0.062	0.187	0.56
023PLX	1.498/1.500	2.25	1.25	.4995/.5000	0.062	0.250	0.56
034PLX	2.873/2.875	3.25	1.50	.7495/.7500	0.062	0.312	0.56
042PLX	2.185/2.187	4.20	2.00	.9995/1.0000	0.062	0.500	0.63
056PLX	4.498/4.500	5.75	2.50	1.4995/1.5000	0.125	0.750	0.94
075PLX	5.998/6.000	7.48	3.50	1.9995/2.0000	0.187	0.875	3.00 Lg

PART NUMBER	H KEY HEIGHT (in.)	I HOUSING DIAMETER (in.)	J BOLT HOLE DIAMETER (in.)	K BOLT HOLE CIRCLE (in.)	KEY WIDTH/ WOODRUFF KEY (in.)	RADIAL & AXIAL SHAFT LOADING (LBS.)
017PLX	0.063	2.05	0.125	1.725	0.125 / #404	SEE PAGE 17
023PLX	0.063	2.95	0.205	2.625	0.125 / #404	
034PLX	0.094	4.38	0.220	3.875	0.187 / #606	
042PLX	0.125	5.51	0.280	4.950	0.250 / #808	
056PLX	0.187	7.87	0.410	7.000	0.375 / #1212	
075PLX	0.157	9.64	0.560	8.465	3/8" x 5/8" RECT.	

AVAILABLE RATIOS	EFFICIENCY	SPECIFICATIONS
SINGLE STAGE : 3:1 / 4:1 / 5:1 / 5.5:1 / 7:1 / 10:1	90%	Input RPM: 6500 Max.
DOUBLE STAGE: 15:1/16:1/20:1/22:1/25:1/28:1/30:1/40:1/49:1/50:1/55:1/70:1/100:1	85%	Operating Temperature Range -60°F to +255°F
TRIPLE STAGE: 160:1 / 280:1 / 400:1 / 550:1 / 700:1 OTHER RATIOS AVAILABLE	80%	Motor Mounting Hardware Supplied



PRIME™ IN TIME...72 HOUR SHIPPING.

ALL SPECIFICATIONS SUBJECT TO CHANGE.

PL SERIES: PRIME™ PLANETARY GEARHEADS

SINGLE, DOUBLE, TRIPLE STAGE

MODEL	RATIO	TORQUE RATING		INERTIA		BACKLASH	GEARHEAD	L
		T _c IN LBS.	T _{PEAK} IN LBS.	INPUT PINION OZ IN SEC ²	GEARHEAD OZ IN SEC ²	STD/ LOW ARC MINUTES	WEIGHT LBS.	GEARHEAD LENGTH
017PLX	3:1	167	261	2.163E-04	1.669E-04	6 / 3	1.0	2.62
017PLX	4:1	158	248	1.352E-04	1.053E-04	6 / 3	1.0	2.62
017PLX	5:1	148	231	1.203E-04	6.954E-05	6 / 3	1.0	2.62
017PLX	5.5:1	143	223	1.174E-04	5.870E-05	6 / 3	1.0	2.62
017PLX	7:1	119	158	1.143E-04	3.692E-05	6 / 3	1.0	2.62
017PLX	10:1	56	84	1.132E-04	1.833E-05	6 / 3	1.0	2.62
017PLX	15:1	178	277	1.203E-04	7.482E-05	10 / 5	1.6	3.28
017PLX	16:1	169	264	1.352E-04	1.045E-04	10 / 5	1.6	3.28
017PLX	20:1	170	266	1.203E-04	6.906E-05	10 / 5	1.6	3.28
017PLX	22:1	171	267	1.174E-04	5.830E-05	10 / 5	1.6	3.28
017PLX	25:1	159	247	1.203E-04	6.699E-05	10 / 5	1.6	3.28
017PLX	28:1	172	269	1.143E-04	3.667E-05	10 / 5	1.6	3.28
017PLX	30:1	183	285	1.132E-04	1.965E-05	10 / 5	1.6	3.28
017PLX	40:1	174	272	1.132E-04	1.821E-05	10 / 5	1.6	3.28
017PLX	49:1	127	199	1.143E-04	3.479E-05	10 / 5	1.6	3.28
017PLX	50:1	161	251	1.132E-04	1.770E-05	10 / 5	1.6	3.28
017PLX	55:1	156	243	1.132E-04	1.755E-05	10 / 5	1.6	3.28
017PLX	70:1	128	201	1.132E-04	1.729E-05	10 / 5	1.6	3.28
017PLX	100:1	52	77	1.132E-04	1.708E-05	10 / 5	1.6	3.28
017PLX	160:1	181	283	1.132E-04	1.812E-05	14 / 7	2.2	3.77
017PLX	280:1	183	286	1.132E-04	1.725E-05	14 / 7	2.2	3.77
017PLX	400:1	185	286	1.132E-04	1.706E-05	14 / 7	2.2	3.77
017PLX	550:1	165	257	1.132E-04	1.705E-05	14 / 7	2.2	3.77
017PLX	700:1	136	212	1.132E-04	1.705E-05	14 / 7	2.2	3.77
023PLX	3:1	380	594	1.194E-03	4.866E-04	6 / 3	1.8	2.66
023PLX	4:1	360	562	9.502E-04	3.113E-04	6 / 3	1.8	2.66
023PLX	5:1	331	518	9.044E-04	2.064E-04	6 / 3	1.8	2.66
023PLX	5.5:1	317	496	8.969E-04	1.746E-04	6 / 3	1.8	2.66
023PLX	7:1	263	411	8.880E-04	1.100E-04	6 / 3	1.8	2.66
023PLX	10:1	119	179	8.846E-04	5.471E-05	6 / 3	1.8	2.66
023PLX	15:1	396	619	9.044E-04	2.355E-04	10 / 5	2.8	3.48
023PLX	16:1	376	587	9.502E-04	3.287E-04	10 / 5	2.8	3.48
023PLX	20:1	378	591	9.044E-04	2.175E-04	10 / 5	2.8	3.48
023PLX	22:1	380	594	8.969E-04	1.838E-04	10 / 5	2.8	3.48
023PLX	25:1	347	543	9.044E-04	2.110E-04	10 / 5	2.8	3.48
023PLX	28:1	384	600	8.880E-04	1.157E-04	10 / 5	2.8	3.48
023PLX	30:1	408	639	8.846E-04	6.200E-05	10 / 5	2.8	3.48
023PLX	40:1	388	607	8.846E-04	5.749E-05	10 / 5	2.8	3.48
023PLX	49:1	286	447	8.880E-04	1.098E-04	10 / 5	2.8	3.48
023PLX	50:1	361	564	8.846E-04	5.586E-05	10 / 5	2.8	3.48
023PLX	55:1	347	542	8.846E-04	5.543E-05	10 / 5	2.8	3.48
023PLX	70:1	288	450	8.846E-04	5.460E-05	10 / 5	2.8	3.48
023PLX	100:1	110	164	8.846E-04	5.393E-05	10 / 5	2.8	3.48
023PLX	160:1	404	631	8.846E-04	5.723E-05	14 / 7	3.8	4.27
023PLX	280:1	409	640	8.846E-04	5.449E-05	14 / 7	3.8	4.27
023PLX	400:1	406	608	8.846E-04	5.388E-05	14 / 7	3.8	4.27
023PLX	550:1	368	575	8.846E-04	5.386E-05	14 / 7	3.8	4.27
023PLX	700:1	303	473	8.846E-04	5.385E-05	14 / 7	3.8	4.27
034PLX	3:1	1285	2008	4.901E-03	4.672E-03	6 / 3	7.0	4.19
034PLX	4:1	1219	1905	2.522E-03	2.833E-03	6 / 3	7.0	4.19
034PLX	5:1	1148	1795	2.115E-03	1.875E-03	6 / 3	7.0	4.19
034PLX	5.5:1	1113	1740	2.040E-03	1.585E-03	6 / 3	7.0	4.19
034PLX	7:1	935	1461	1.955E-03	9.983E-04	6 / 3	7.0	4.19
034PLX	10:1	552	828	1.923E-03	4.961E-04	6 / 3	7.0	4.19
034PLX	15:1	1381	2158	2.115E-03	2.033E-03	10 / 5	8.0	5.31
034PLX	16:1	1315	2055	2.522E-03	2.824E-03	10 / 5	8.0	5.31
034PLX	20:1	1324	2069	2.115E-03	1.869E-03	10 / 5	8.0	5.31
034PLX	22:1	1333	2083	2.040E-03	1.580E-03	10 / 5	8.0	5.31
034PLX	25:1	1244	1945	2.115E-03	1.810E-03	10 / 5	8.0	5.31
034PLX	28:1	1346	2103	1.955E-03	9.952E-04	10 / 5	8.0	5.31
034PLX	30:1	1430	2235	1.923E-03	5.355E-04	10 / 5	8.0	5.31
034PLX	40:1	1364	2132	1.923E-03	4.946E-04	10 / 5	8.0	5.31
034PLX	49:1	1015	1587	1.955E-03	9.417E-04	10 / 5	8.0	5.31
034PLX	50:1	1267	1980	1.923E-03	4.799E-04	10 / 5	8.0	5.31
034PLX	55:1	1232	1925	1.923E-03	4.759E-04	10 / 5	8.0	5.31
034PLX	70:1	1027	1605	1.923E-03	4.684E-04	10 / 5	8.0	5.31
034PLX	100:1	507	761	1.923E-03	4.623E-04	10 / 5	8.0	5.31
034PLX	160:1	1424	2226	1.923E-03	4.905E-04	14 / 7	9.0	6.53
034PLX	280:1	1445	2258	1.923E-03	4.668E-04	14 / 7	9.0	6.53
034PLX	400:1	1458	2278	1.923E-03	4.615E-04	14 / 7	9.0	6.53
034PLX	550:1	1311	2048	1.923E-03	4.613E-04	14 / 7	9.0	6.53
034PLX	700:1	1090	1703	1.923E-03	4.613E-04	14 / 7	9.0	6.53

ALL SPECIFICATIONS SUBJECT TO CHANGE.

PL SERIES: PRIME™ PLANETARY GEARHEADS

SINGLE, DOUBLE, TRIPLE STAGE

MODEL	RATIO	TORQUE RATING		INERTIA		BACKLASH	GEARHEAD	L
		T _c IN LBS.	T _{PEAK} IN LBS.	INPUT PINION OZ IN SEC ²	GEARHEAD OZ IN SEC ²	STD/ LOW ARC MINUTES	WEIGHT LBS.	GEARHEAD LENGTH
042PLX	3:1	2301	3597	1.680E-02	1.641E-02	6 / 3	11.5	4.73
042PLX	4:1	2195	3430	1.032E-02	1.049E-02	6 / 3	11.5	4.73
042PLX	5:1	2079	3249	9.201E-03	6.945E-03	6 / 3	11.5	4.73
042PLX	5.5:1	2021	3159	8.997E-03	5.878E-03	6 / 3	11.5	4.73
042PLX	7:1	1711	2673	8.766E-03	3.704E-03	6 / 3	11.5	4.73
042PLX	10:1	1122	1684	8.680E-03	1.841E-03	6 / 3	11.5	4.73
042PLX	15:1	2485	3884	9.201E-03	7.783E-03	10 / 5	18.0	6.36
042PLX	16:1	2379	3717	1.032E-02	1.101E-02	10 / 5	18.0	6.36
042PLX	20:1	2397	3745	9.201E-03	7.286E-03	10 / 5	18.0	6.36
042PLX	22:1	2414	3772	8.997E-03	6.156E-03	10 / 5	18.0	6.36
042PLX	25:1	2263	3536	9.201E-03	7.101E-03	10 / 5	18.0	6.36
042PLX	28:1	2438	3811	8.766E-03	3.875E-03	10 / 5	18.0	6.36
042PLX	30:1	2579	4032	8.680E-03	2.050E-03	10 / 5	18.0	6.36
042PLX	40:1	2473	3865	8.680E-03	1.925E-03	10 / 5	18.0	6.36
042PLX	49:1	1867	2918	8.766E-03	3.706E-03	10 / 5	18.0	6.36
042PLX	50:1	2308	3606	8.680E-03	1.879E-03	10 / 5	18.0	6.36
042PLX	55:1	2250	3516	8.680E-03	1.866E-03	10 / 5	18.0	6.36
042PLX	70:1	1890	2953	8.680E-03	1.843E-03	10 / 5	18.0	6.36
042PLX	100:1	1031	1547	8.680E-03	1.823E-03	10 / 5	18.0	6.36
042PLX	160:1	2587	4044	8.680E-03	1.931E-03	14 / 7	18.5	7.93
042PLX	280:1	2627	4105	8.680E-03	1.844E-03	14 / 7	18.5	7.93
042PLX	400:1	2651	4142	8.680E-03	1.824E-03	14 / 7	18.5	7.93
042PLX	550:1	2400	3750	8.680E-03	1.823E-03	14 / 7	18.5	7.93
042PLX	700:1	2009	3140	8.680E-03	1.823E-03	14 / 7	18.5	7.93
056PLX	3:1	5169	8078	5.794E-02	7.141E-02	6 / 3	28.0	7.39
056PLX	4:1	4946	7730	3.123E-02	4.524E-02	6 / 3	28.0	7.39
056PLX	5:1	4693	7335	2.647E-02	2.991E-02	6 / 3	28.0	7.39
056PLX	5.5:1	4567	7137	2.564E-02	2.527E-02	6 / 3	28.0	7.39
056PLX	7:1	3888	6076	2.470E-02	1.590E-02	6 / 3	28.0	7.39
056PLX	10:1	2767	4150	2.435E-02	7.899E-03	6 / 3	28.0	7.39
056PLX	15:1	5619	8781	2.647E-02	3.315E-02	10 / 5	43.0	9.53
056PLX	16:1	5396	8433	3.123E-02	4.702E-02	10 / 5	43.0	9.53
056PLX	20:1	5439	8500	2.647E-02	3.105E-02	10 / 5	43.0	9.53
056PLX	22:1	5482	8567	2.564E-02	2.621E-02	10 / 5	43.0	9.53
056PLX	25:1	5143	8038	2.647E-02	3.026E-02	10 / 5	43.0	9.53
056PLX	28:1	5542	8661	2.470E-02	1.648E-02	10 / 5	43.0	9.53
056PLX	30:1	5850	9142	2.435E-02	8.708E-03	10 / 5	43.0	9.53
056PLX	40:1	5627	8794	2.435E-02	8.184E-03	10 / 5	43.0	9.53
056PLX	49:1	4273	6677	2.470E-02	1.576E-02	10 / 5	43.0	9.53
056PLX	50:1	5253	8210	2.435E-02	7.986E-03	10 / 5	43.0	9.53
056PLX	55:1	5127	8012	2.435E-02	7.932E-03	10 / 5	43.0	9.53
056PLX	70:1	4328	6763	2.435E-02	7.830E-03	10 / 5	43.0	9.53
056PLX	100:1	2543	3814	2.435E-02	7.746E-03	10 / 5	43.0	9.53
056PLX	160:1	5904	9227	2.435E-02	8.201E-03	14 / 7	58.0	11.63
056PLX	280:1	5998	9374	2.435E-02	7.835E-03	14 / 7	58.0	11.63
056PLX	400:1	6055	9463	2.435E-02	7.749E-03	14 / 7	58.0	11.63
056PLX	550:1	5486	8574	2.435E-02	7.747E-03	14 / 7	58.0	11.63
056PLX	700:1	4616	7213	2.435E-02	7.746E-03	14 / 7	58.0	11.63
075PLX	3:1	13339	20009	1.936E-01	2.930E-01	6 / 3	77.0	9.11
075PLX	4:1	12713	19868	6.554E-02	1.889E-01	6 / 3	77.0	9.11
075PLX	5:1	12748	19923	4.403E-02	1.254E-01	6 / 3	77.0	9.11
075PLX	5.5:1	12765	19950	4.015E-02	1.062E-01	6 / 3	77.0	9.11
075PLX	7:1	10809	16892	3.574E-02	6.702E-02	6 / 3	77.0	9.11
075PLX	10:1	7016	10524	3.410E-02	3.335E-02	6 / 3	77.0	9.11
075PLX	15:1	15924	24048	4.403E-02	1.372E-01	10 / 5	116.0	11.99
075PLX	16:1	15298	23907	6.554E-02	1.928E-01	10 / 5	116.0	11.99
075PLX	20:1	15430	24113	4.403E-02	1.279E-01	10 / 5	116.0	11.99
075PLX	22:1	15561	24318	4.015E-02	1.083E-01	10 / 5	116.0	11.99
075PLX	25:1	15333	23962	4.403E-02	1.246E-01	10 / 5	116.0	11.99
075PLX	28:1	15746	24608	3.574E-02	6.831E-02	10 / 5	116.0	11.99
075PLX	30:1	16632	25155	3.410E-02	3.629E-02	10 / 5	116.0	11.99
075PLX	40:1	16006	25014	3.410E-02	3.398E-02	10 / 5	116.0	11.99
075PLX	49:1	11968	18704	3.574E-02	6.523E-02	10 / 5	116.0	11.99
075PLX	50:1	14447	22577	3.410E-02	3.314E-02	10 / 5	116.0	11.99
075PLX	55:1	14464	22604	3.410E-02	3.291E-02	10 / 5	116.0	11.99
075PLX	70:1	12134	18962	3.410E-02	3.247E-02	10 / 5	116.0	11.99
075PLX	100:1	6447	9671	3.410E-02	3.212E-02	10 / 5	116.0	11.99

ALL SPECIFICATIONS SUBJECT TO CHANGE.

NOTES: Other ratios are also available, consult factory.
 T_c: Output torque is rated at 3000 RPM, and a minimum life of 10,000 hours.
 Bearing load ratings are based on a minimum life of 10,000 hours.