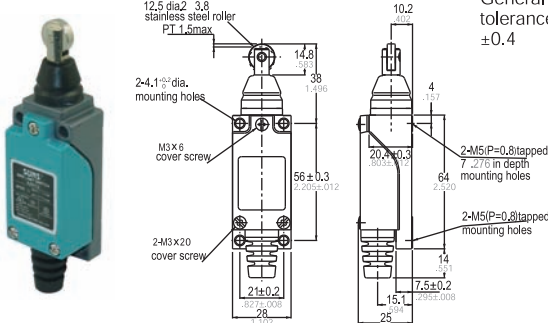


COMPACT LIMIT SWITCHES: AZ-8 SERIES

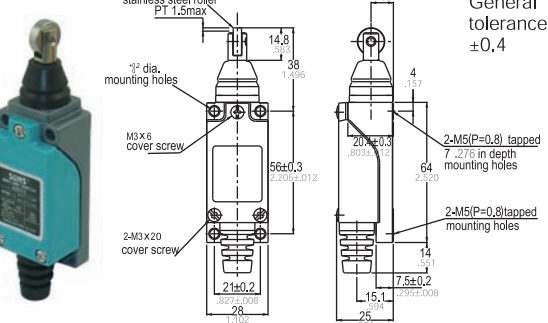


AZ-8112

Operating Characteristics

| | |
|-------------------|-----------------------|
| OF _{max} | 1.99~7.84N(203-800gf) |
| RF _{min} | 0.12~0.49N |
| PT _{max} | 20° |
| OT _{min} | 75° |
| MD _{max} | 10° |
| TT | 95° |

General tolerance: ±0.4

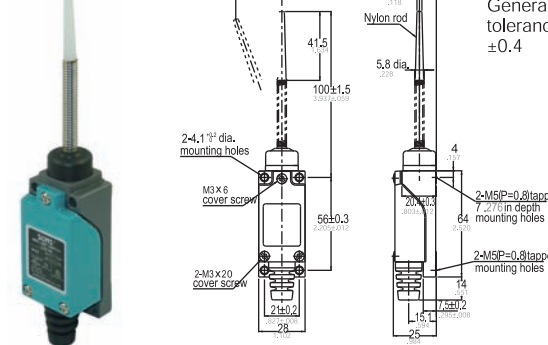


AZ-8122

Operating Characteristics

| | |
|-------------------|---------------|
| OF _{max} | 8.82N (900gf) |
| RF _{min} | 1.47N |
| PT _{max} | 1.5mm |
| OT _{min} | 4mm |
| MD _{max} | 0.7mm |
| TT | 5.5mm |

General tolerance: ±0.4

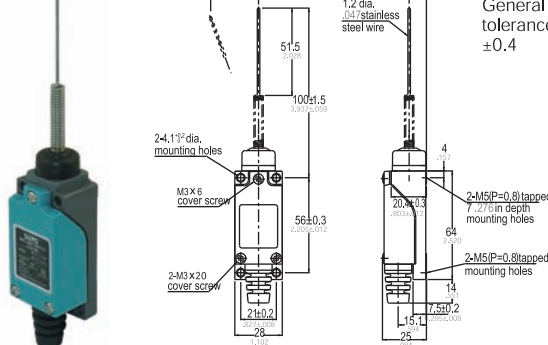


AZ-8166

Operating Characteristics

| | |
|-------------------|--------------|
| OF _{max} | 0.88N (90gf) |
| PT _{max} | 30mm |
| OT _{max} | 20mm |

General tolerance: ±0.4

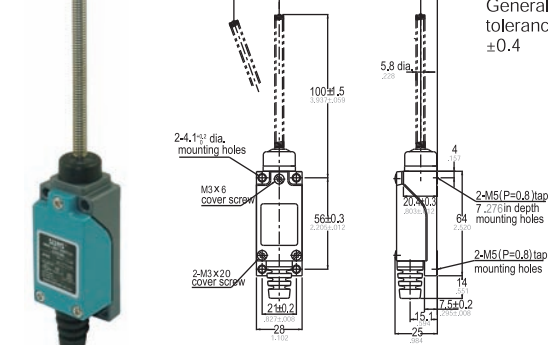


AZ-8169

Operating Characteristics

| | |
|-------------------|--------------|
| OF _{max} | 0.88N (90gf) |
| PT _{max} | 30mm |
| OT _{max} | 20mm |

General tolerance: ±0.4



AZ-8200

Operating Characteristics

| | |
|-------------------|--------------|
| OF _{max} | 0.88N (90gf) |
| PT _{max} | 30mm |
| OT _{max} | 20mm |

General tolerance: ±0.4