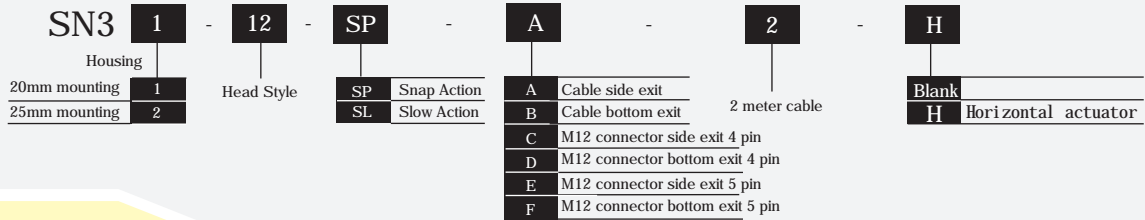


COMPACT LIMIT SWITCHES (IP67 Water-Proof) SN31 SERIES (20mm) and SN32 SERIES (25mm)

Selection Guide:

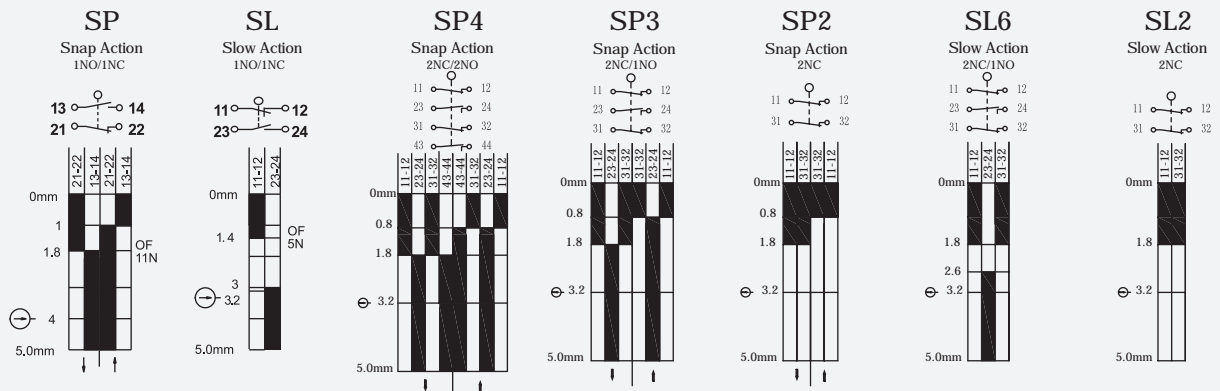


Specification


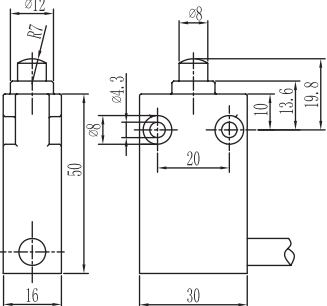

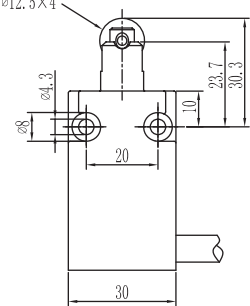

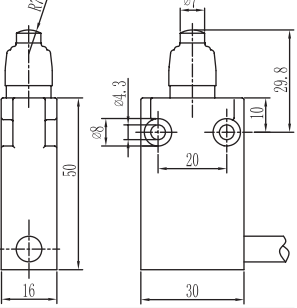

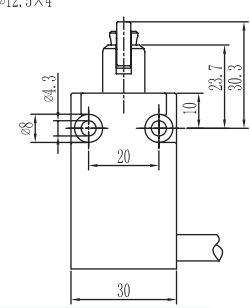

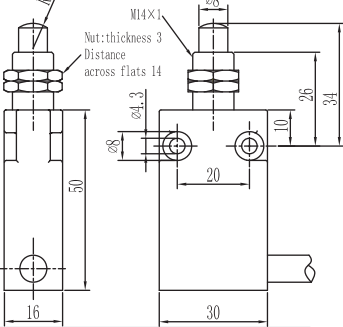

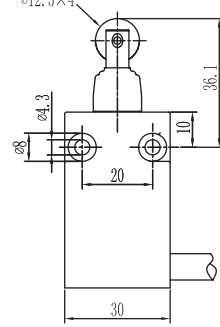

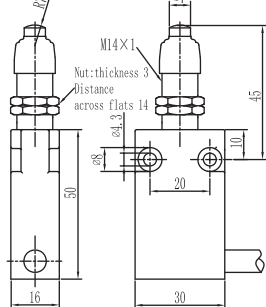

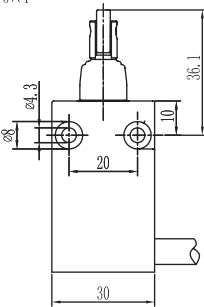
Operating Speed	0.05mm-2m/sec
Operating Frequency	Mechanical: 120ops/min Electrical: 30 ops/min
Insulation Resistance	>100MΩ@500V DC
Contact Resistance	<25mΩ (initial value)
Rated Voltage	300V AC (EN60947-5-1)
Rated Thermal Current	10A
Electrical Rating	AC15 A300 DC13 Q300
Dielectric Strength	1000VAC for 1 min between current carrying parts 2500VAC for 1 min between non-current carrying parts
Service Life	Mechanically 1.0 x10 ⁷ (operations) Electrically 5 x10 ⁵ (operations)
Operating Temperature	-25~+85°C without formation of ice
Humidity	< 95%RH
Cable	5 core, 0.75mm ²
Degree of Protection	IP67

Electrical Ratings

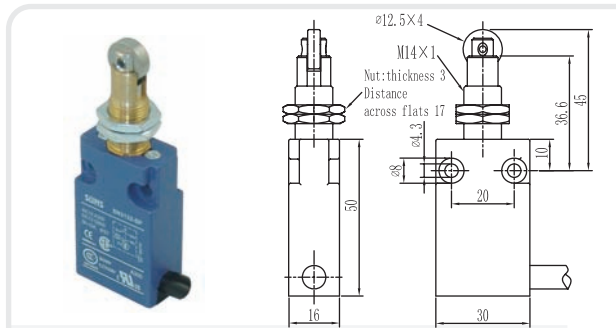
IEC 947-5-1 / EN 90947-5-1								
Designation & Utilization Category	Rated operational current Ie (A) at rated operational voltage Ue						VA rating	
	120V	240V	380V	480V	500V	600V	Make	Break
AC15 A300	6	3	-	-	-	-	7200	720
DC13 Q300	125VDC	250VDC					69	69



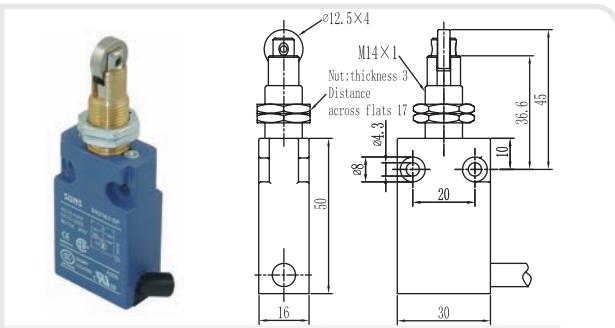
COMPACT LIMIT SWITCHES (IP67 Water-Proof) SN31 SERIES (20mm) and SN32 SERIES (25mm)

 	 
<p>Order Code Contact block</p> <p>SN3101-SP SP snap action 1NO+1NC</p> <p>SN3101-SL SL slow action 1NO+1NC BBM</p>	<p>Order Code Contact block</p> <p>SN3112-SP SP snap action 1NO+1NC</p> <p>SN3112-SL SL slow action 1NO+1NC BBM</p>
 	 
<p>Order Code Contact block</p> <p>SN3111-SP SP snap action 1NO+1NC</p> <p>SN3111-SL SL slow action 1NO+1NC BBM</p>	<p>Order Code Contact block</p> <p>SN3122-SP SP snap action 1NO+1NC</p> <p>SN3122-SL SL slow action 1NO+1NC BBM</p>
 	 
<p>Order Code Contact block</p> <p>SN3121-SP SP snap action 1NO+1NC</p> <p>SN3121-SL SL slow action 1NO+1NC BBM</p>	<p>Order Code Contact block</p> <p>SN3102-SP SP snap action 1NO+1NC</p> <p>SN3102-SL SL slow action 1NO+1NC BBM</p>
 	 
<p>Order Code Contact block</p> <p>SN3131-SP SP snap action 1NO+1NC</p> <p>SN3131-SL SL slow action 1NO+1NC BBM</p>	<p>Order Code Contact block</p> <p>SN3103-SP SP snap action 1NO+1NC</p> <p>SN3103-SL SL slow action 1NO+1NC BBM</p>

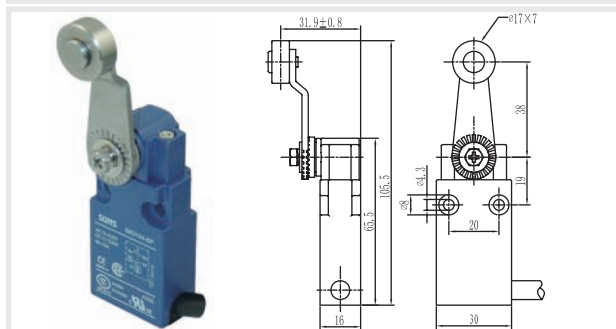
COMPACT LIMIT SWITCHES (IP67 Water-Proof) SN31 SERIES (20mm) and SN32 SERIES (25mm)



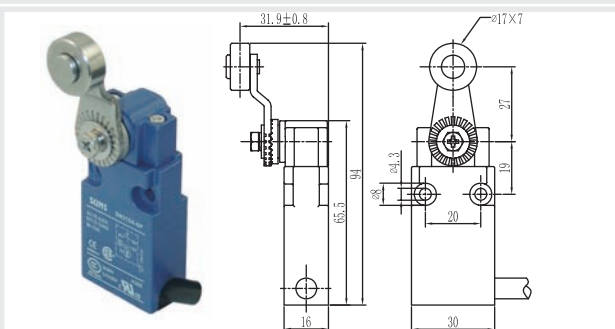
Order Code	Contact block	SP	SL	SN3132-SP	SN3132-SL
		↻	↻	1NO+1NC	1NO+1NC BBM
				↻ snap action	↻ slow action



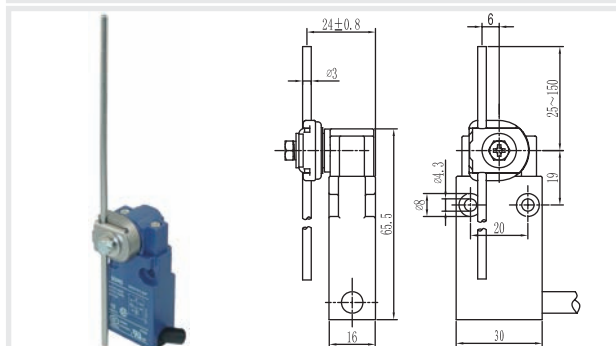
Order Code	Contact block	SP	SL	SN3142-SP	SN3142-SL
		↻	↻	1NO+1NC	1NO+1NC BBM
				↻ snap action	↻ slow action



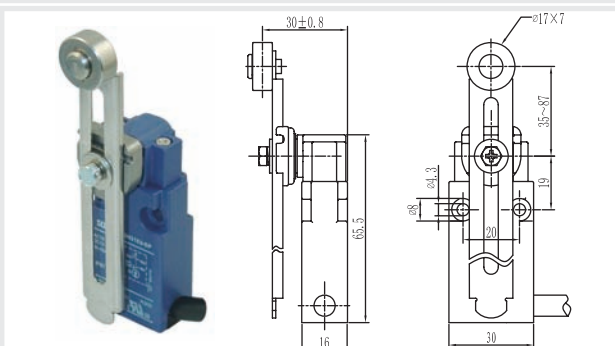
Order Code	Contact block	SP	SL	SN3104-SP	SN3104-SL
		↻	↻	1NO+1NC	1NO+1NC BBM
				↻ snap action	↻ slow action



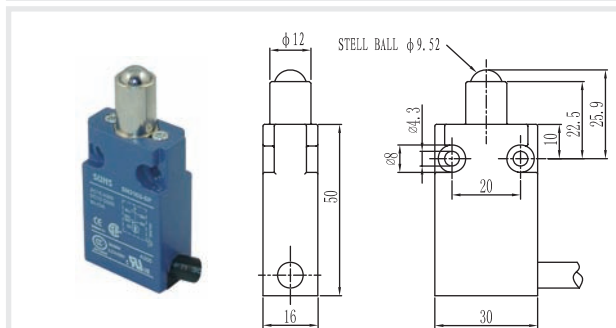
Order Code	Contact block	SP	SL	SN3104-SP-S	SN3104-SL-S
		↻	↻	1NO+1NC	1NO+1NC BBM
				↻ snap action	↻ slow action



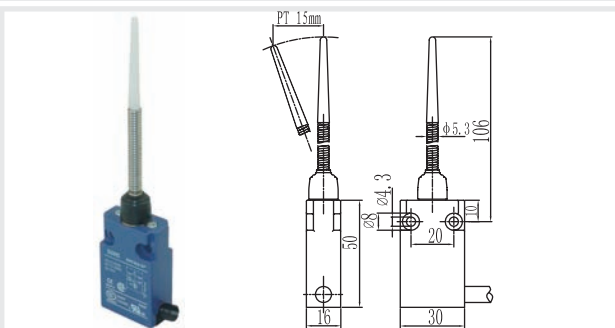
Order Code	Contact block	SP	SL	SN3107-SP	SN3107-SL
		↻	↻	1NO+1NC	1NO+1NC BBM
				↻ snap action	↻ slow action



Order Code	Contact block	SP	SL	SN3108-SP	SN3108-SL
		↻	↻	1NO+1NC	1NO+1NC BBM
				↻ snap action	↻ slow action

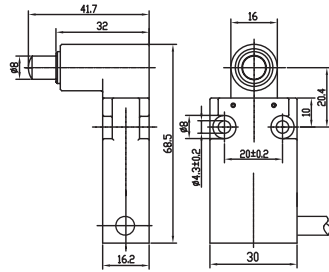


Order Code	Contact block	SP	SL	SN3105-SP	SN3105-SL
		↻	↻	1NO+1NC	1NO+1NC BBM
				↻ snap action	↻ slow action

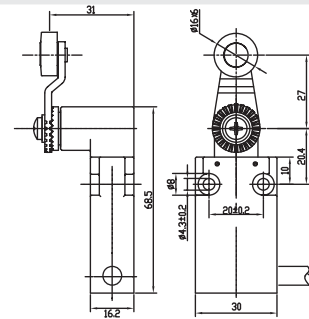


Order Code	Contact block	SP	SL	SN3166-SP	SN3166-SL
		↻	↻	1NO+1NC	1NO+1NC BBM
				↻ snap action	↻ slow action

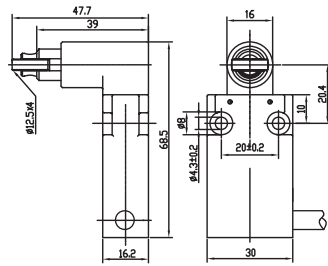
COMPACT LIMIT SWITCHES (IP67 Water-Proof) SN31 SERIES (20mm) and SN32 SERIES (25mm)



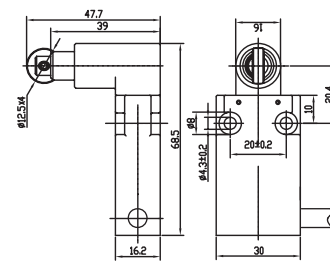
Order Code	Contact block
SN3101-SP-H	SP snap action 1NO+1NC
SN3101-SL-H	SL slow action 1NO+1NC BBM



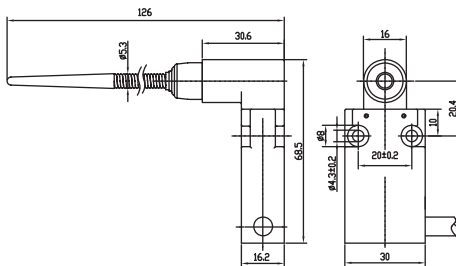
Order Code	Contact block
SN3104-SP-H	SP snap action 1NO+1NC
SN3104-SL-H	SL slow action 1NO+1NC BBM



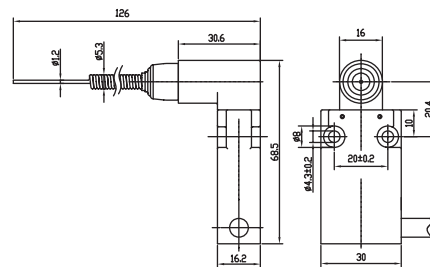
Order Code	Contact block
SN3112-SP-H	SP snap action 1NO+1NC
SN3112-SL-H	SL slow action 1NO+1NC BBM



Order Code	Contact block
SN3122-SP-H	SP snap action 1NO+1NC
SN3122-SL-H	SL slow action 1NO+1NC BBM



Order Code	Contact block
SN3166-SP-H	SP snap action 1NO+1NC
SN3166-SL-H	SL slow action 1NO+1NC BBM

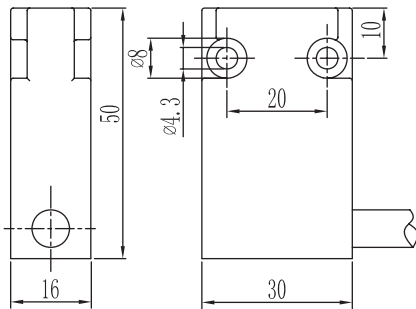


Order Code	Contact block
SN3169-SP-H	SP snap action 1NO+1NC
SN3169-SL-H	SL slow action 1NO+1NC BBM

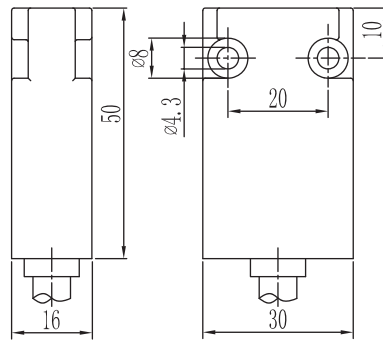
COMPACT LIMIT SWITCHES (IP67 Water-Proof) SN31 SERIES (20mm) and SN32 SERIES (25mm)

Basic Body dimension:

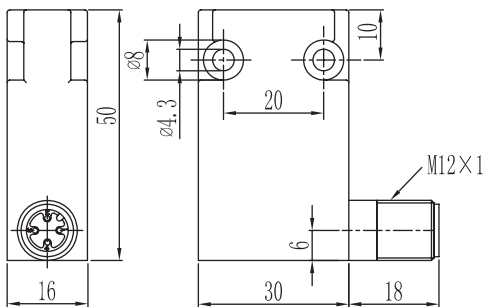
Suffix: -A (cable side exit)



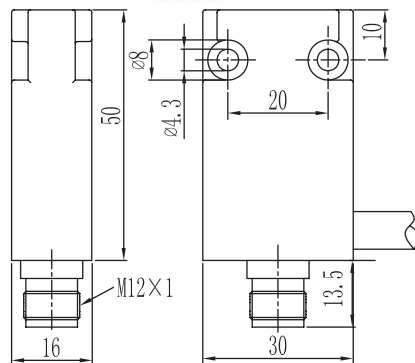
Suffix: -B (cable bottom exit)



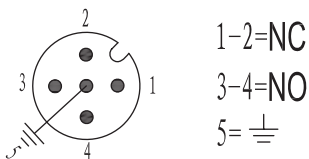
Suffix: -C (M12 quick connector side exit 4 pin)
Suffix: -E (M12 quick connector side exit 5 pin)



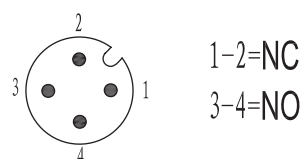
Suffix: -D (M12 Quick Connector bottom exit 4 pin)
Suffix: -F (M12 Quick Connector bottom exit 5 pin)



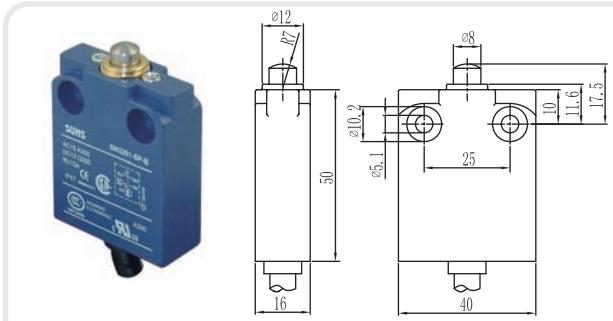
5 pin M12



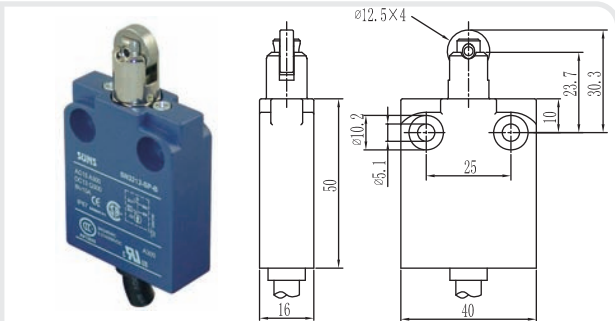
4 pin M12



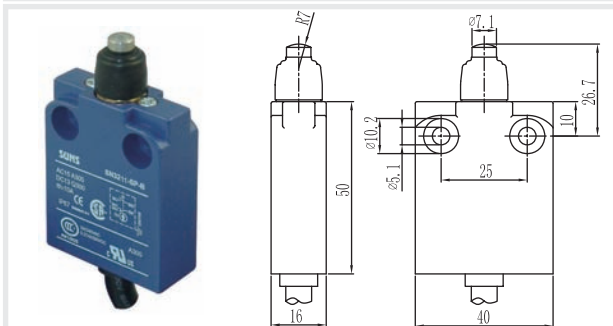
COMPACT LIMIT SWITCHES (IP67 Water-Proof) SN31 SERIES (20mm) and SN32 SERIES (25mm)



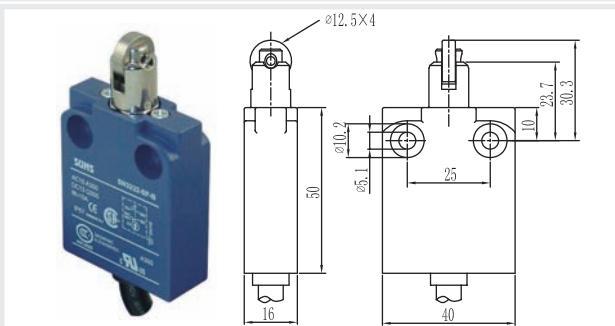
Order Code	Contact block	SP	SL	SN3201-SP	SN3201-SL
		⊕	⊕	SP	SL
				INO+INC	INO+INC BBM



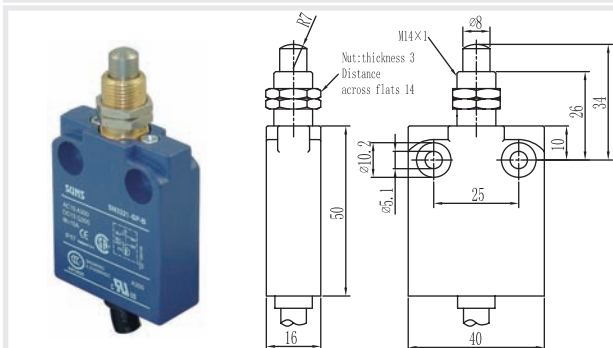
Order Code	Contact block	SP	SL	SN3212-SP	SN3212-SL
		⊕	⊕	SP	SL
				INO+INC	INO+INC BBM



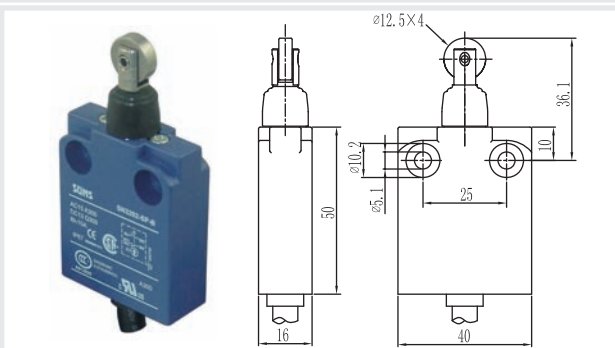
Order Code	Contact block	SP	SL	SN3211-SP	SN3211-SL
		⊕	⊕	SP	SL
				INO+INC	INO+INC BBM



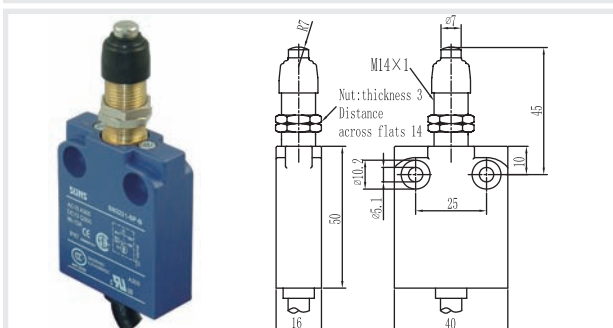
Order Code	Contact block	SP	SL	SN3222-SP	SN3222-SL
		⊕	⊕	SP	SL
				INO+INC	INO+INC BBM



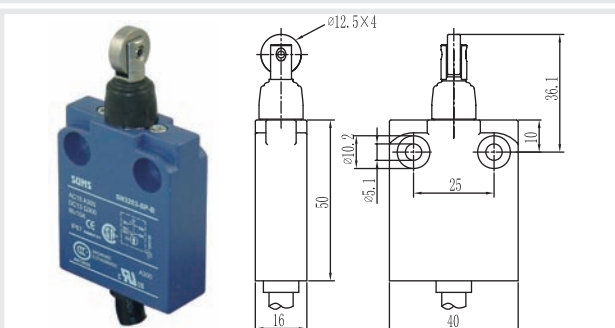
Order Code	Contact block	SP	SL	SN3221-SP	SN3221-SL
		⊕	⊕	SP	SL
				INO+INC	INO+INC BBM



Order Code	Contact block	SP	SL	SN3202-SP	SN3202-SL
		⊕	⊕	SP	SL
				INO+INC	INO+INC BBM



Order Code	Contact block	SP	SL	SN3231-SP	SN3231-SL
		⊕	⊕	SP	SL
				INO+INC	INO+INC BBM

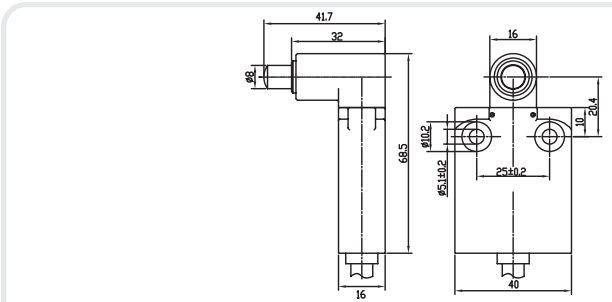


Order Code	Contact block	SP	SL	SN3203-SP	SN3203-SL
		⊕	⊕	SP	SL
				INO+INC	INO+INC BBM

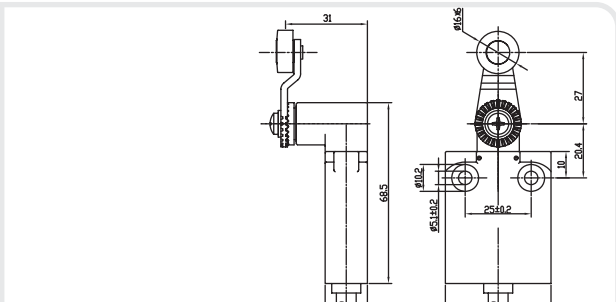
COMPACT LIMIT SWITCHES (IP67 Water-Proof) SN31 SERIES (20mm) and SN32 SERIES (25mm)

<p>Order Code Contact block</p> <p>SN3232-SP SP snap action 1NO+1NC</p> <p>SN3232-SL SL slow action 1NO+1NC BBM</p>	<p>Order Code Contact block</p> <p>SN3242-SP SP snap action 1NO+1NC</p> <p>SN3242-SL SL slow action 1NO+1NC BBM</p>
<p>Order Code Contact block</p> <p>SN3204-SP SP snap action 1NO+1NC</p> <p>SN3204-SL SL slow action 1NO+1NC BBM</p>	<p>Order Code Contact block</p> <p>SN3204-SP-S SP snap action 1NO+1NC</p> <p>SN3204-SL-S SL slow action 1NO+1NC BBM</p>
<p>Order Code Contact block</p> <p>SN3207-SP SP snap action 1NO+1NC</p> <p>SN3207-SL SL slow action 1NO+1NC BBM</p>	<p>Order Code Contact block</p> <p>SN3208-SP SP snap action 1NO+1NC</p> <p>SN3208-SL SL slow action 1NO+1NC BBM</p>
<p>Order Code Contact block</p> <p>SN3205-SP SP snap action 1NO+1NC</p> <p>SN3205-SL SL slow action 1NO+1NC BBM</p>	<p>Order Code Contact block</p> <p>SN3266-SP SP snap action 1NO+1NC</p> <p>SN3266-SL SL slow action 1NO+1NC BBM</p>

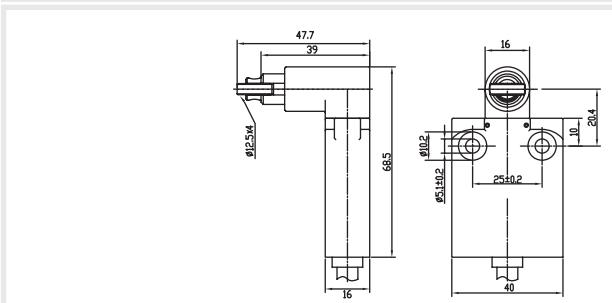
COMPACT LIMIT SWITCHES (IP67 Water-Proof) SN31 SERIES (20mm) and SN32 SERIES (25mm)



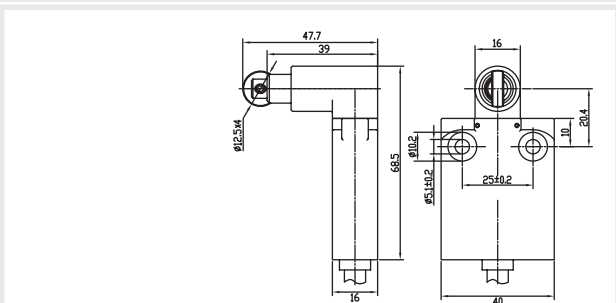
Order Code	Contact block
SN3201-SP-H	SP snap action 1NO+1NC
SN3201-SL-H	SL slow action 1NO+1NC BBM



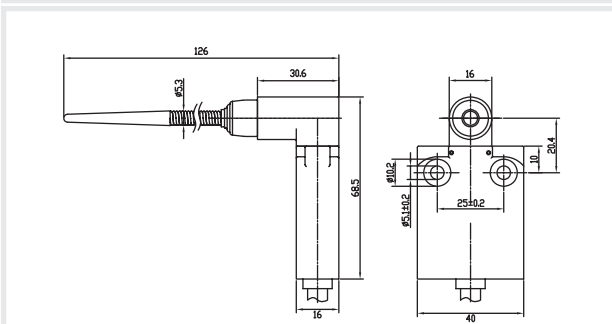
Order Code	Contact block
SN3200-SP-H	SP snap action 1NO+1NC
SN3200-SL-H	SL slow action 1NO+1NC BBM



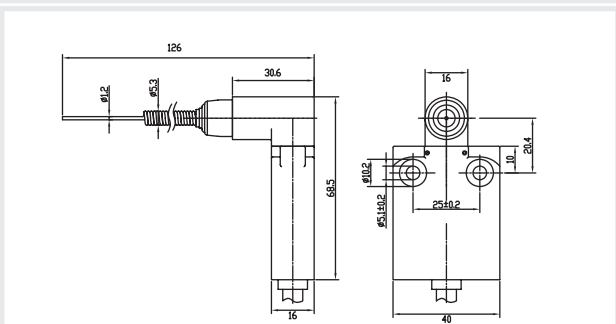
Order Code	Contact block
SN3212-SP-H	SP snap action 1NO+1NC
SN3212-SL-H	SL slow action 1NO+1NC BBM



Order Code	Contact block
SN3222-SP-H	SP snap action 1NO+1NC
SN3222-SL-H	SL slow action 1NO+1NC BBM



Order Code	Contact block
SN3266-SP-H	SP snap action 1NO+1NC
SN3266-SL-H	SL slow action 1NO+1NC BBM

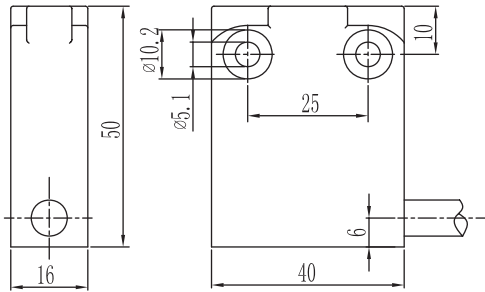


Order Code	Contact block
SN3269-SP-H	SP snap action 1NO+1NC
SN3269-SL-H	SL slow action 1NO+1NC BBM

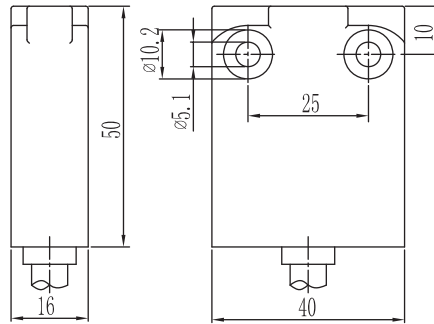
COMPACT LIMIT SWITCHES (IP67 Water-Proof) SN31 SERIES (20mm) and SN32 SERIES (25mm)

Basic Body dimension:

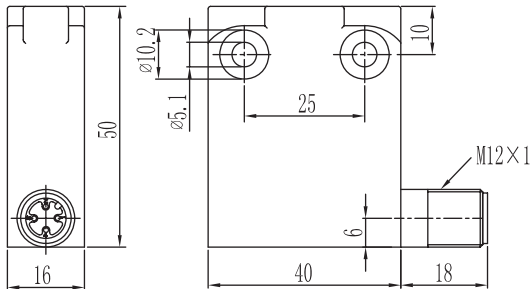
Suffix: -A (cable side exit)



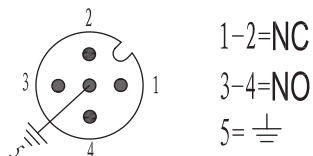
Suffix: -B (cable bottom exit)



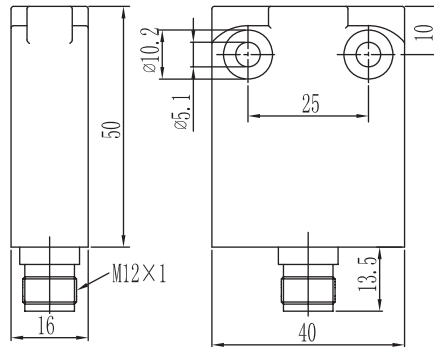
Suffix: -C (M12 quick connector side exit 4 pin)
Suffix: -E (M12 quick connector side exit 5 pin)



5 pin M12



Suffix: -D (M12 Quick Connector bottom exit 4 pin)
Suffix: -F (M12 Quick Connector bottom exit 5 pin)



4 pin M12

