

MINI ENCLOSED LIMIT SWITCHES SN7 SERIES

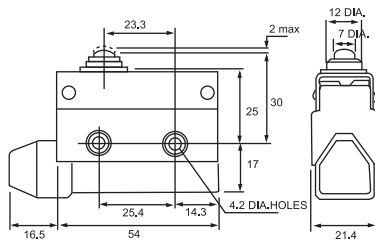
SPECIFICATIONS

Operating Speed	0.05mm-0.5m/sec (panel mount plunger)
Operating Frequency	Mechanical: 120ops/min Electrical: 30 ops/min
Contact Resistance	<15mΩ (initial value)
Insulation Resistance	>100MΩ min at 500V DC
Rated Current/Voltage	10A/250VAC
Operating Temperature	-20 ~ +60 ^o (-4~+140 ^o F)
Dielectric Strength	1000V AC (For 1 min)between current carrying parts 2000V AC (For 1 min)between non-current carrying parts
Service Life	Mechanically 1.0x10 ⁷ (operations) Electrically 5 x10 ⁵ (operations)
Humidity	<95%RH
Weight	~60g
Degree of Protection	IP64 (IP67 for model with -w suffix)

Definitions of Operating Characteristics

OF Operating Force
RF Releasing Force
OT Overtravel
TT Total Travel

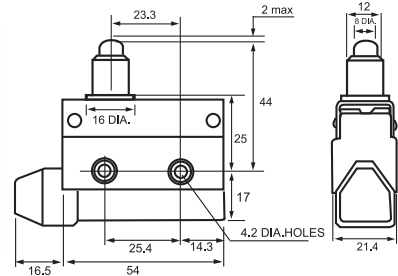
PT Pretravel
MD Movement Differential
OP Operating Position
PO Travel to Positive Opening



SN7100

Operating Characteristics

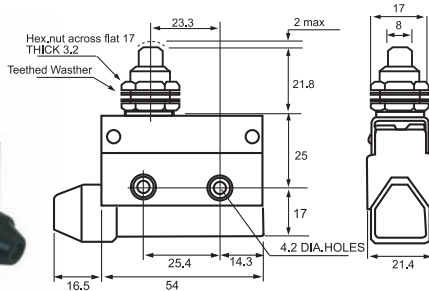
- OF_{max} 5.88N
- RF_{min} 0.98N
- PT_{max} 2.0mm
- OT_{min} 0.8mm
- MD_{max} 0.8mm
- OP 30±0.8mm



SN7110

Operating Characteristics

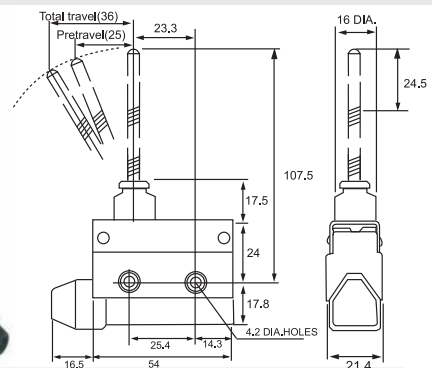
- OF_{max} 5.88N
- RF_{min} 0.98N
- PT_{max} 2.0mm
- OT_{min} 5.0mm
- MD_{max} 0.8mm
- FP_{max} 46mm
- OP 44±1.2mm



SN7310

Operating Characteristics

- OF_{max} 5.88N
- RF_{min} 0.98N
- PT_{max} 2.0mm
- OT_{min} 6.0mm
- MD_{max} 0.8mm
- FP_{max} 23.8
- OP 21.8±0.8mm

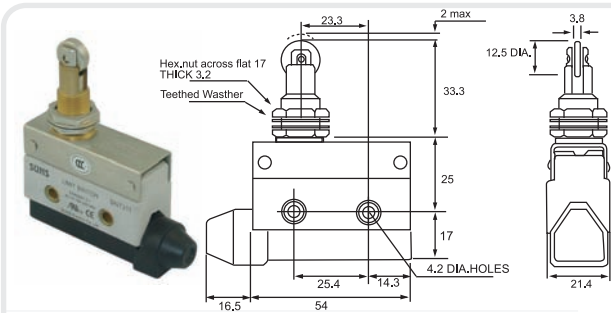


SN7166

Operating Characteristics

- OF_{max} 1.18N
- PT_{max} 25mm
- OT_{min} 11mm
- OP 36mm

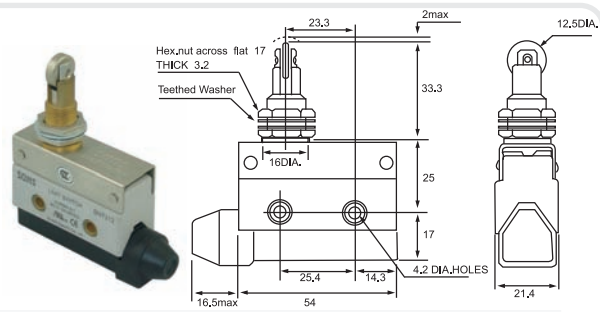
MINI ENCLOSED LIMIT SWITCHES SN7 SERIES



SN7311

Operating Characteristics

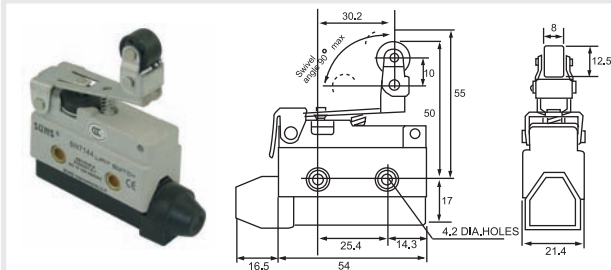
- OF_{max} 5.88N
- RF_{min} 0.98N
- PT_{max} 2.0mm
- OT_{min} 6.0mm
- MD_{max} 0.8mm
- FP_{max} 35.3mm
- OP 33.3±1.2mm



SN7312

Operating Characteristics

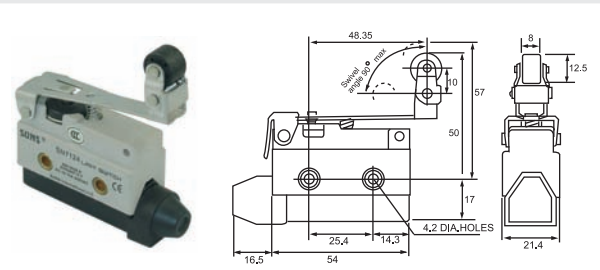
- OF_{max} 5.88N
- RF_{min} 0.98N
- PT_{max} 2.0mm
- OT_{min} 6.0mm
- MD_{max} 0.8mm
- FP_{max} 35.3mm
- OP 33.3±1.2mm



SN7144

Operating Characteristics

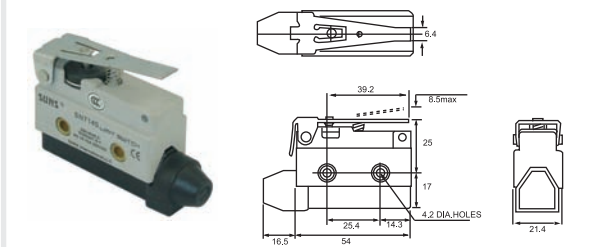
- OF_{max} 2.75N
- RF_{min} 0.98N
- PT_{max} 6.5mm
- OT_{min} 2.0mm
- MD_{max} 1.5mm
- FP_{max} 56mm
- OP 50±1.6mm



SN7124

Operating Characteristics

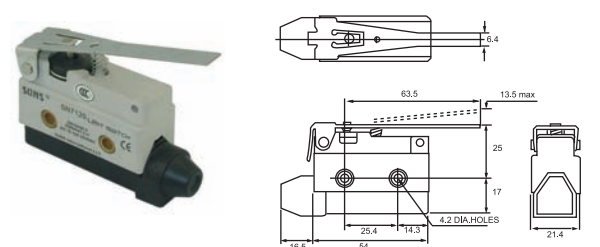
- OF_{max} 2.16N
- RF_{min} 0.59N
- PT_{max} 11.0mm
- OT_{min} 3.0mm
- MD_{max} 2.4mm
- FP_{max} 57
- OP 50±2.0mm



SN7140

Operating Characteristics

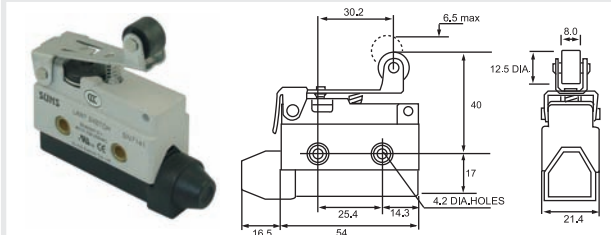
- OF_{max} 2.16N
- RF_{min} 0.59N
- PT_{max} 8.5mm
- OT_{min} 2.5mm
- MD_{max} 2.0mm
- FP_{max} 33.5mm
- OP 25±1.3mm



SN7120

Operating Characteristics

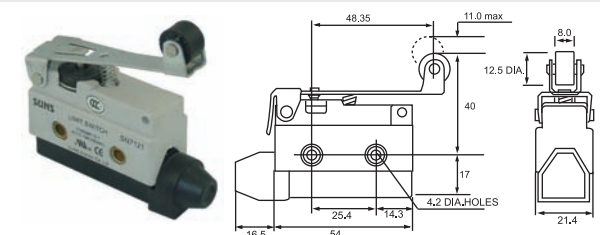
- OF_{max} 1.47N
- RF_{min} 0.39N
- PT_{max} 13.5mm
- OT_{min} 4.0mm
- MD_{max} 3.2mm
- FP_{max} 38.5mm
- OP 25±2.0mm



SN7141

Operating Characteristics

- OF_{max} 2.35N
- RF_{min} 0.87N
- PT_{max} 6.5mm
- OT_{min} 2.0mm
- MD_{max} 1.5mm
- FP_{max} 46.5mm
- OP 40±1.6mm

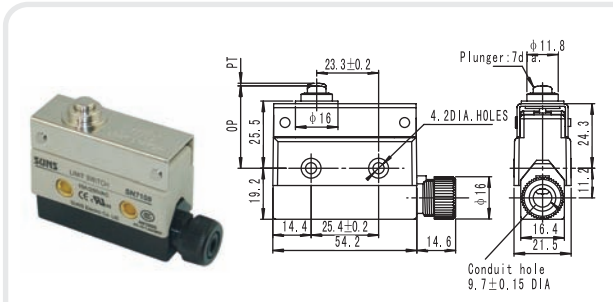


SN7121

Operating Characteristics

- OF_{max} 1.77N
- RF_{min} 0.49N
- PT_{max} 11.0mm
- OT_{min} 3.0mm
- MD_{max} 2.4mm
- FP_{max} 51mm
- OP 40±1.9mm

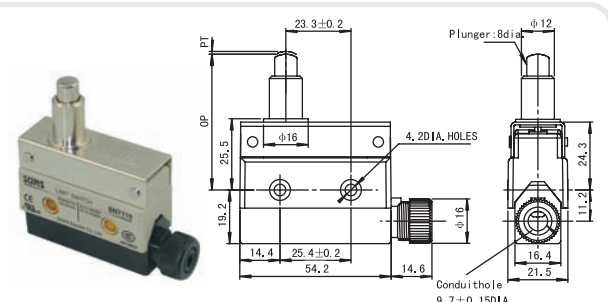
MINI ENCLOSED LIMIT SWITCHES SN7 SERIES (IP67 WATER-PROOF)



SN7100-W

Operating Characteristics

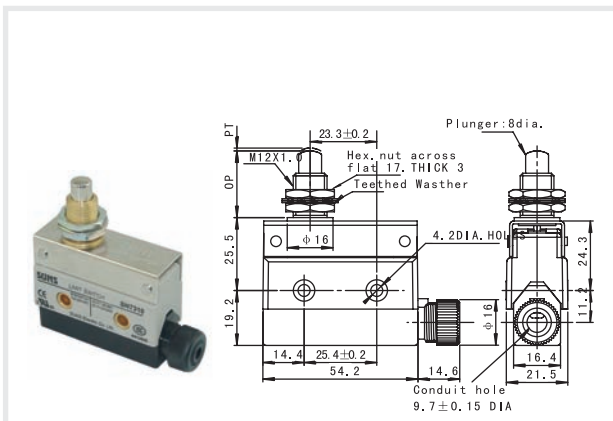
- OF_{max} 5.88N
- RF_{min} 0.98N
- PT_{max} 2.0mm
- OT_{min} 0.8mm
- MD_{max} 0.8mm
- OP 30 ± 0.8mm



SN7110-W

Operating Characteristics

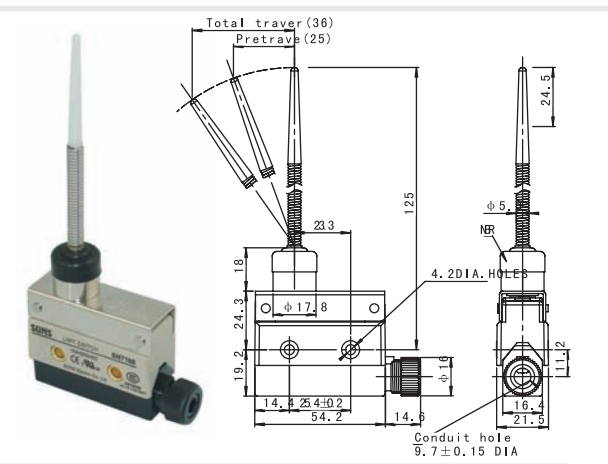
- OF_{max} 5.88N
- RF_{min} 0.98N
- PT_{max} 2.0mm
- OT_{min} 5.0mm
- MD_{max} 0.8mm
- OP 46.8 ± 1.2mm



SN7310-W

Operating Characteristics

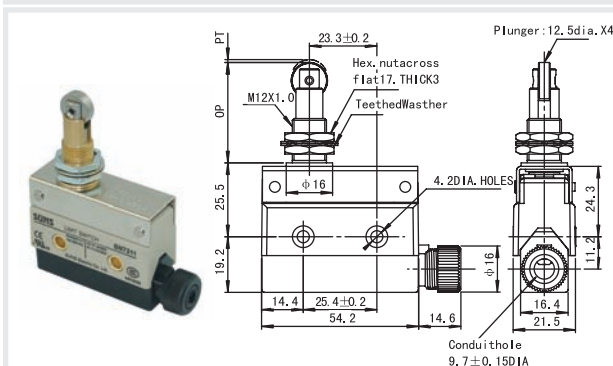
- OF_{max} 5.88N
- RF_{min} 0.98N
- PT_{max} 2.0mm
- OT_{min} 6.0mm
- MD_{max} 0.8mm
- FP_{max} 23.8
- OP 21.8±0.8mm



SN7100-W

Operating Characteristics

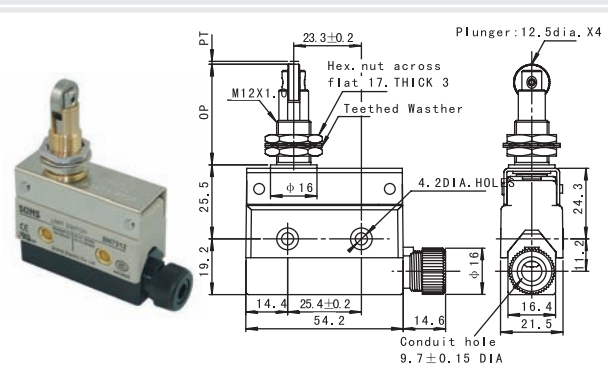
- OF_{max} 1.18N
- PT_{max} 25mm
- OT_{min} 11mm
- OP 36mm



SN7311-W

Operating Characteristics

- OF_{max} 5.88N
- RF_{min} 0.98N
- PT_{max} 2.0mm
- OT_{min} 6.0mm
- MD_{max} 0.8mm
- FP_{max} 35.3mm
- OP 33.3±1.2mm

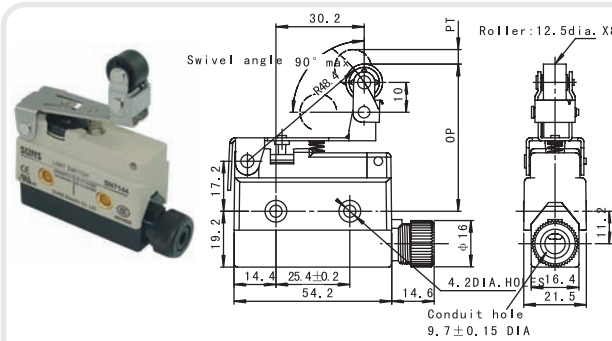


SN7312-W

Operating Characteristics

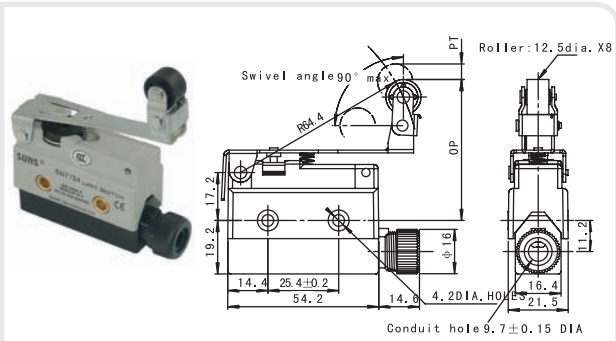
- OF_{max} 5.88N
- RF_{min} 0.98N
- PT_{max} 2.0mm
- OT_{min} 6.0mm
- MD_{max} 0.8mm
- FP_{max} 35.3mm
- OP 33.3±1.2mm

MINI ENCLOSED LIMIT SWITCHES SN7 SERIES (IP67 WATER-PROOF)



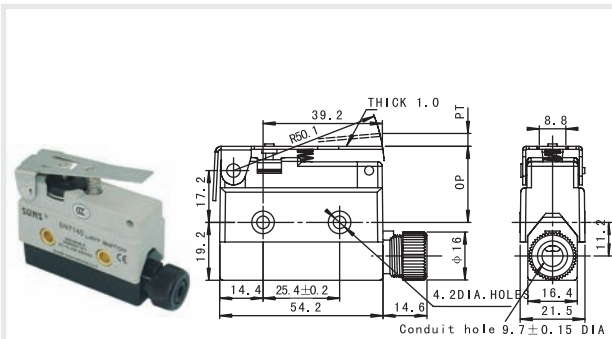
SN7144-W

- | | |
|----------------------------------|---------------------------|
| Operating Characteristics | • OT _{min} 2.0mm |
| • OF _{max} 2.75N | • MD _{max} 1.5mm |
| • RF _{min} 0.98N | • FP _{max} 56mm |
| • PT _{max} 6.5mm | • OP 50±1.6mm |



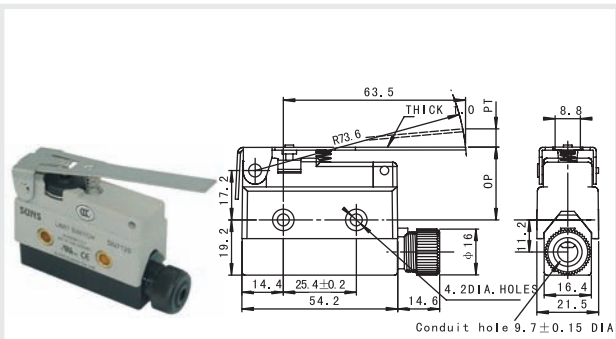
SN7124-W

- | | |
|----------------------------------|---------------------------|
| Operating Characteristics | • OT _{min} 3.0mm |
| • OF _{max} 2.16N | • MD _{max} 2.4mm |
| • RF _{min} 0.59N | • FP _{max} 57 |
| • PT _{max} 11.0mm | • OP 50±2.0mm |



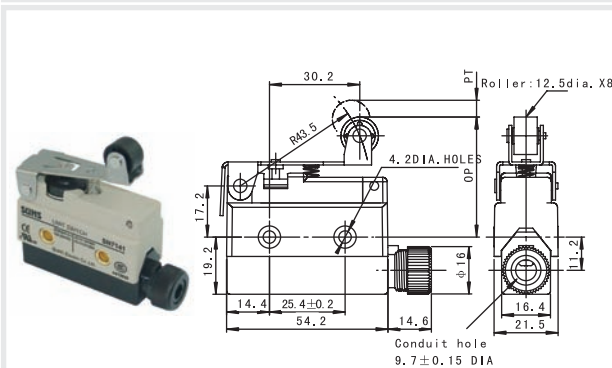
SN7140-W

- | | |
|----------------------------------|----------------------------|
| Operating Characteristics | • OT _{min} 2.5mm |
| • OF _{max} 2.16N | • MD _{max} 2.0mm |
| • RF _{min} 0.59N | • FP _{max} 33.5mm |
| • PT _{max} 8.5mm | • OP 25±1.3mm |



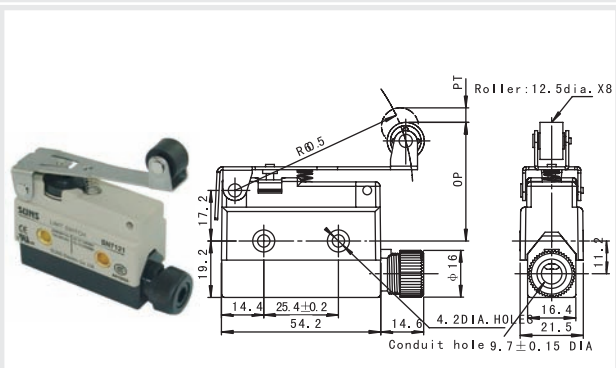
SN7120-W

- | | |
|----------------------------------|----------------------------|
| Operating Characteristics | • OT _{min} 4.0mm |
| • OF _{max} 1.47N | • MD _{max} 3.2mm |
| • RF _{min} 0.39N | • FP _{max} 38.5mm |
| • PT _{max} 13.5mm | • OP 25±2.0mm |



SN7141-W

- | | |
|----------------------------------|----------------------------|
| Operating Characteristics | • OT _{min} 2.0mm |
| • OF _{max} 2.35N | • MD _{max} 1.5mm |
| • RF _{min} 0.87N | • FP _{max} 46.5mm |
| • PT _{max} 6.5mm | • OP 40±1.6mm |



SN7121-W

- | | |
|----------------------------------|---------------------------|
| Operating Characteristics | • OT _{min} 3.0mm |
| • OF _{max} 1.77N | • MD _{max} 2.4mm |
| • RF _{min} 0.49N | • FP _{max} 51mm |
| • PT _{max} 11.0mm | • OP 40±1.9mm |