

GENERAL-PURPOSE MICRO SWITCHES Z-15 SERIES

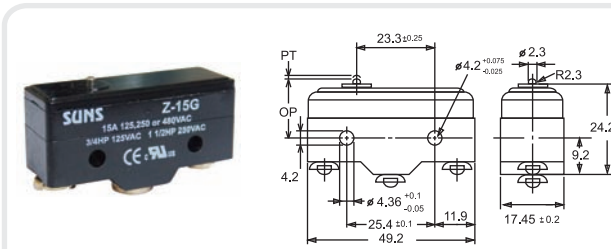
Definitions of Operating Characteristics

OF	Operating Force
RF	Releasing Force
OT	Overtravel
TT	Total Travel
PT	Pretravel
MD	Movement Differential
OP	Operating Position
PO	Travel to Positive Opening

Specifications

Operating Speed	0.01mm-1m/sec
Operating Frequency	Mechanical: 240ops/min Electrical: 20 ops/min
Insulation Resistance	>100MΩ@500V DC
Contact Resistance	<15mΩ
Rated Current/Voltage	15A, 125/250/480VAC; 3/4HP/125VAC 1.5HP/250VAC (UL file E321073)
Dielectric Strength	1000VAC for 1 min between current carrying parts 2500VAC for 1 min between non-current carrying parts
Service Life	Mechanically 1.0 x 10 ⁷ (operations) Electrically 5 x 10 ⁵ (operations)
Operating Temperature	-25~+80°C (-13~176°F)
Humidity	< 95%RH
Degree of Protection	IP00/IP63

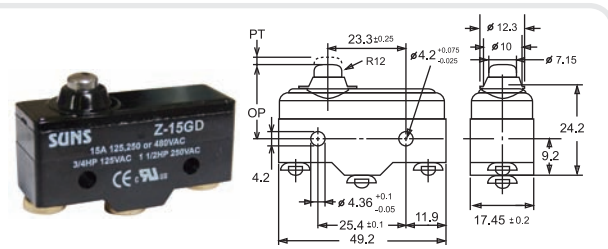
Dimensions Unit: mm



Z-15G

Operating Characteristics

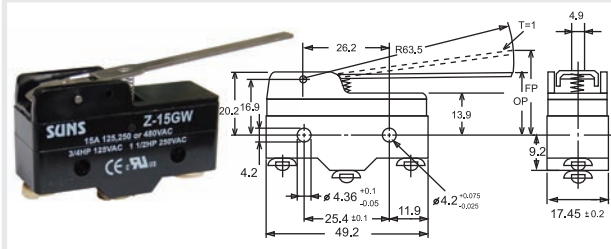
• OF _{max}	3.43N	• OT _{min}	0.13mm
• RF _{min}	1.12N	• MD _{max}	0.05mm
• PT _{max}	0.4mm	• OP	15.9±0.4mm



Z-15GD

Operating Characteristics

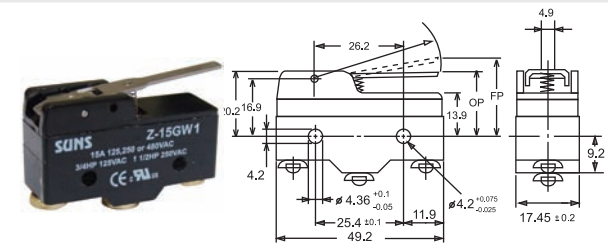
• OF _{max}	3.43N	• OT _{min}	1.6mm
• RF _{min}	1.12N	• MD _{max}	0.05mm
• PT _{max}	0.4mm	• OP	21.5±0.5mm



Z-15GW

Operating Characteristics

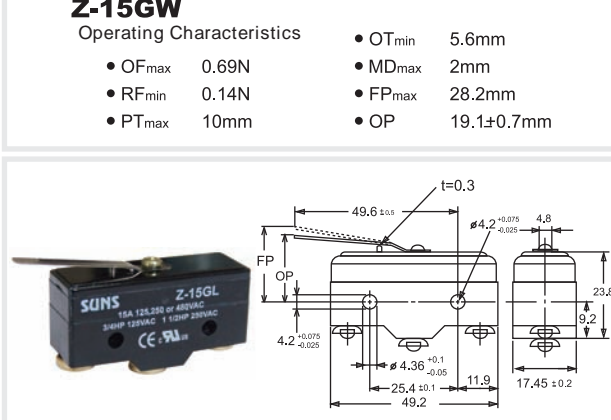
• OF _{max}	0.69N	• OT _{min}	5.6mm
• RF _{min}	0.14N	• MD _{max}	2mm
• PT _{max}	10mm	• FP _{max}	28.2mm
		• OP	19.1±0.7mm



Z-15GW1

Operating Characteristics

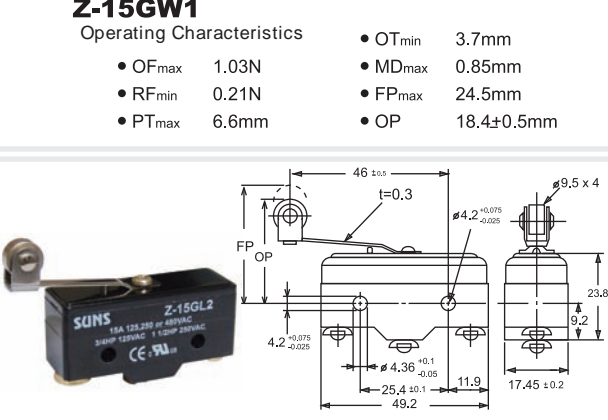
• OF _{max}	1.03N	• OT _{min}	3.7mm
• RF _{min}	0.21N	• MD _{max}	0.85mm
• PT _{max}	6.6mm	• FP _{max}	24.5mm
		• OP	18.4±0.5mm



Z-15GL

Operating Characteristics

• OF _{max}	1.47N	• OT _{min}	1.6mm
• RF _{min}	0.14N	• MD _{max}	1.3mm
• PT _{max}	4mm	• FP	20.6mm
		• OP	17.4±0.8mm

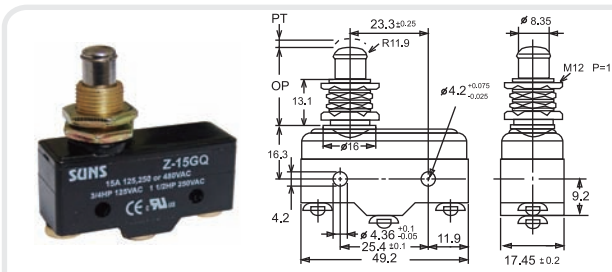


Z-15GL2

Operating Characteristics

• OF _{max}	1.47N	• PT _{max}	4mm
• RF _{min}	0.14N	• MD _{max}	1.3mm
• OT _{min}	1.6mm	• FP	31.8mm
		• OP	28.6±0.8mm

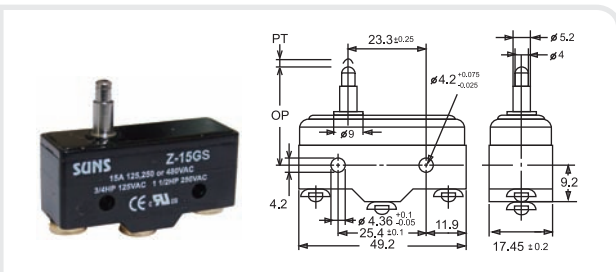
GENERAL-PURPOSE MICRO SWITCHES Z-15 SERIES



Z-15GQ

Operating Characteristics

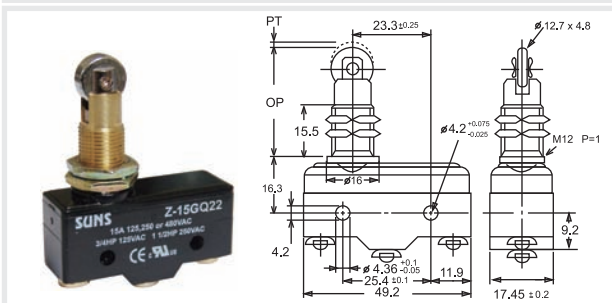
- OF_{max} 3.43N
- RF_{min} 1.12N
- PT_{max} 0.4mm
- OT_{min} 5.5mm
- MD_{max} 0.05mm
- OP 21.8±0.8mm



Z-15GS

Operating Characteristics

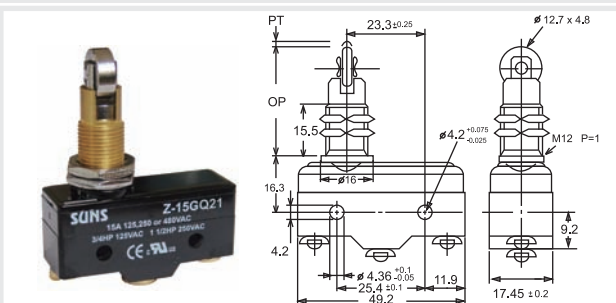
- OF_{max} 3.43N
- RF_{min} 1.12N
- PT_{max} 0.4mm
- OT_{min} 1.6mm
- MD_{max} 0.05mm
- OP 28.2±0.6mm



Z-15GQ22

Operating Characteristics

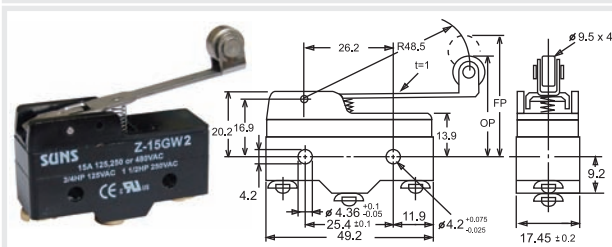
- OF_{max} 3.43N
- RF_{min} 1.12N
- PT_{max} 0.4mm
- OT_{min} 3.58mm
- MD_{max} 0.05mm
- OP 33.4±1.2mm



Z-15GQ21

Operating Characteristics

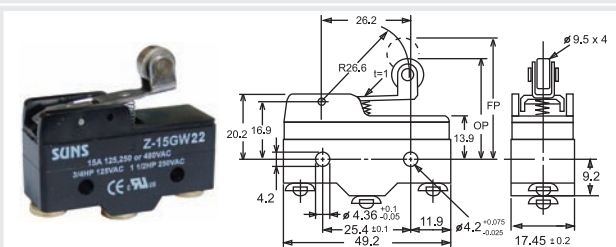
- OF_{max} 3.43N
- RF_{min} 1.12N
- PT_{max} 0.4mm
- OT_{min} 3.58mm
- MD_{max} 0.05mm
- OP 33.4±1.2mm



Z-15GW2

Operating Characteristics

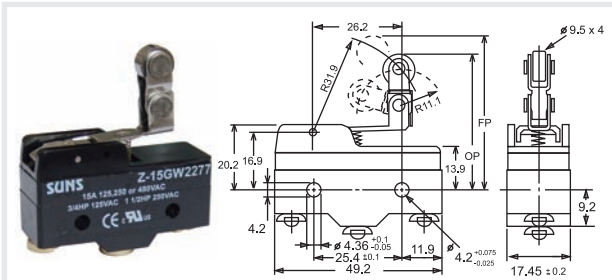
- OF_{max} 0.98N
- RF_{min} 0.21N
- PT_{max} 7.1mm
- OT_{min} 4mm
- MD_{max} 1.02mm
- FP_{max} 36.5mm
- OP 30.2±0.8mm



Z-15GW22

Operating Characteristics

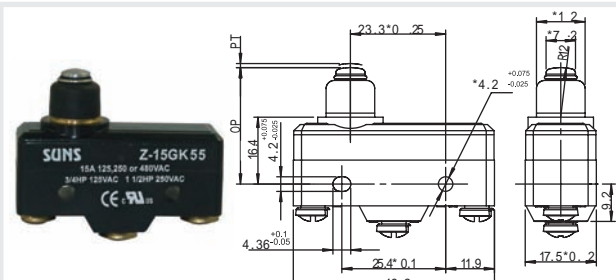
- OF_{max} 1.57N
- RF_{min} 0.41N
- PT_{max} 2.7mm
- OT_{min} 2.4
- MD_{max} 0.8mm
- FP_{max} 32.5mm
- OP 30.2±0.4mm



Z-15GW2277

Operating Characteristics

- OF_{max} 1.67N
- RF_{min} 0.41N
- PT_{max} 3mm
- OT_{min} 2.4mm
- MD_{max} 0.8mm
- FP_{max} 43.5mm
- OP 41.3±0.8mm



Z-15GK55

Operating Characteristics

- OF_{max} 5.3N
- RF_{min} 1.11N
- OT_{min} 1.6mm
- PT_{max} 2.3mm
- MD_{max} 0.06mm
- OP 28.2±0.5mm

GENERAL-PURPOSE MICRO SWITCHES Z-15 SERIES

<p>Z-15GN66 Operating Characteristics</p> <ul style="list-style-type: none"> • OF_{max} 0.7N • PT_{max} 25mm 	<p>Z-15GN69 Operating Characteristics</p> <ul style="list-style-type: none"> • OF_{max} 0.7N • PT_{max} 25mm