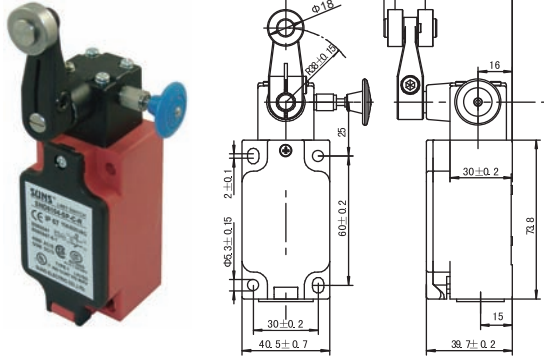


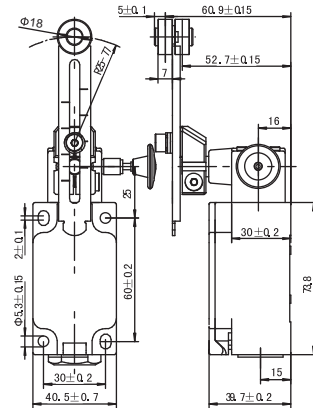
GLOBAL STYLE SAFETY LIMIT SWITCHES (Plastic Bodied EN50041 TYPE) SND6 SERIES (SINGLE CONDUIT ENTRY WITH RESET)

SND6104-R



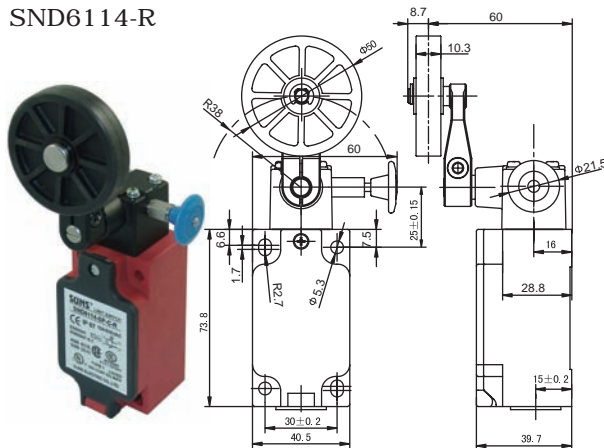
Order Code	Contact block			
SND6104-SP-_R	SP		snap action	1NO+1NC
SND6104-SL-_R	SL		slow action	1NO+1NC BBM
SND6104-SL1-_R	SL1		slow action	1NO+1NC MBB
SND6104-SL2-_R	SL2		slow action	2NC

SND6108-R



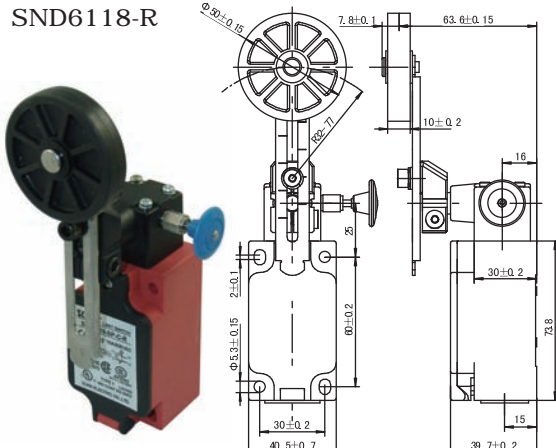
Order Code	Contact block			
SND6107-SP-_R	SP		snap action	1NO+1NC
SND6107-SL-_R	SL		slow action	1NO+1NC BBM
SND6107-SL1-_R	SL1		slow action	1NO+1NC MBB
SND6107-SL2-_R	SL2		slow action	2NC

SND6114-R



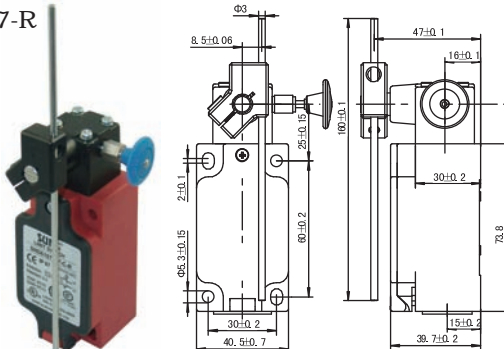
Order Code	Contact block			
SND6114-SP-_R	SP		snap action	1NO+1NC
SND6114-SL-_R	SL		slow action	1NO+1NC BBM
SND6114-SL1-_R	SL1		slow action	1NO+1NC MBB
SND6114-SL2-_R	SL2		slow action	2NC

SND6118-R



Order Code	Contact block			
SND6118-SP-_R	SP		snap action	1NO+1NC
SND6118-SL-_R	SL		slow action	1NO+1NC BBM
SND6118-SL1-_R	SL1		slow action	1NO+1NC MBB
SND6118-SL2-_R	SL2		slow action	2NC

SND6107-R



Order Code	Contact block			
SND6107-SP-_	SP		snap action	1NO+1NC
SND6107-SL-_	SL		slow action	1NO+1NC BBM
SND6107-SL1-_	SL1		slow action	1NO+1NC MBB
SND6107-SL2-_	SL2		slow action	2NC