

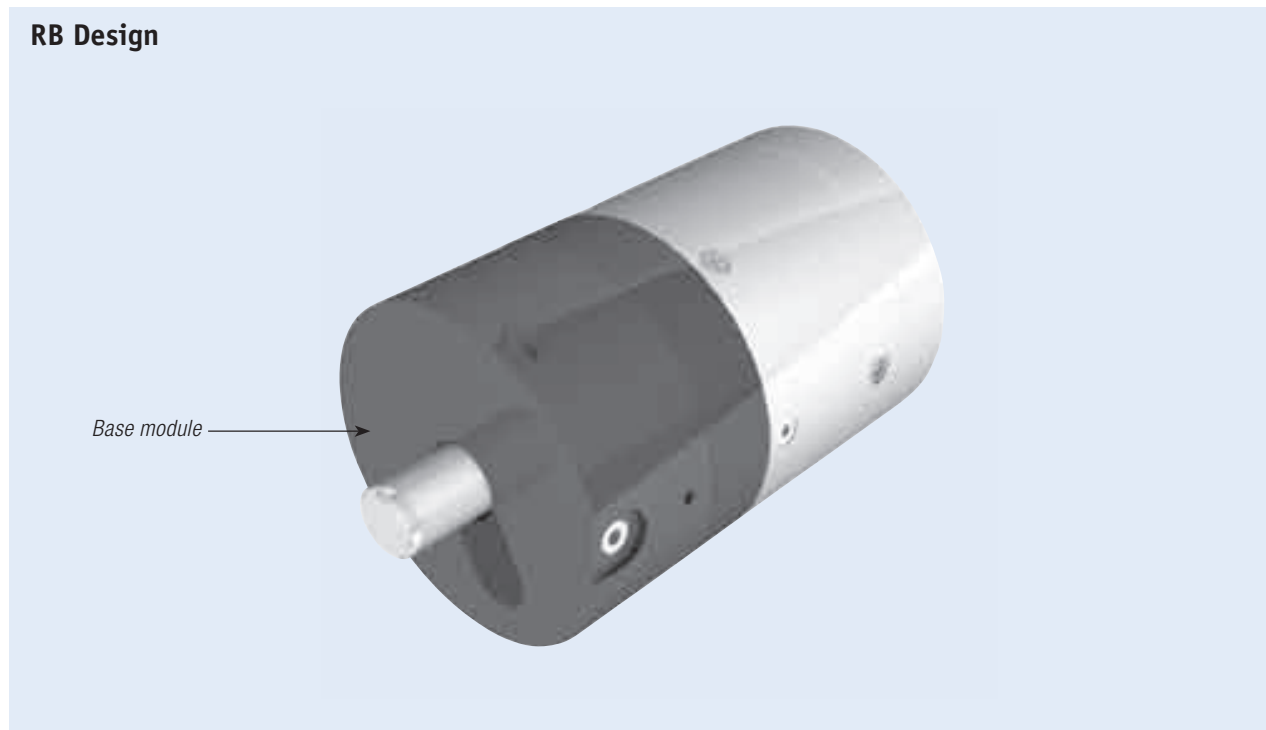
Active without pressure – incredible holding force

The pneumatic Clamping and Braking Element for piston rods **RB**.

The RB series is based on our proven wedge slide gear principle and is used for clamping and braking without pressure. This element was developed for deployment on round-shaft guides or piston rods with a surface hardness of min. HRC 54. The compact design is suitable for shaft diameters of $\varnothing 10$ to $\varnothing 60$ and allows holding forces of up to 60,000 N at a pneumatic opening pressure of just 4 bar.

As a specific feature no reset is needed for restarting. The RB series stands out for its short reaction times. Even in vertical deployment, short braking distance are achieved in less than 30 ms. Details on the length of the brake path to be expected can be obtained from our technical advisors. The computations are based on serial tests and our industrial experience.

RB Design



Special characteristics:

- Compact design
- High clamping forces
- Short reaction times
- Exact positioning
- Opening pressure **>4 bar, pneumatic**
- Holding power up to 60,000 N
- Reaction time **<30 ms**
- No reset for restarting
- Short cycle times

Application scenarios for RB:

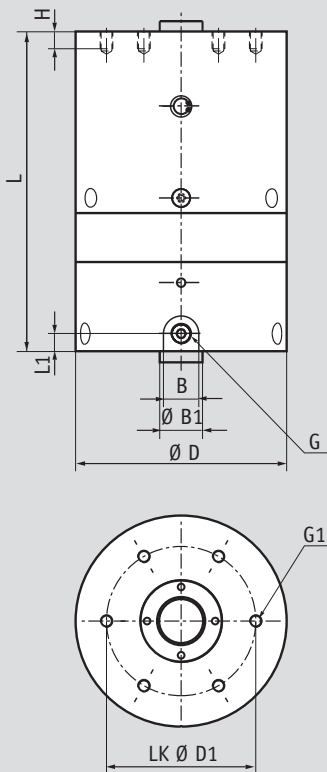
- Positioning of axes
- Clamping and braking in case of pressure drop
- Fixing of vertical axes
- Positioning of lifting devices

Connection options:

The air connection is located on the side.

A PLUS connection (see Technical Operation Principles) is not possible.

RB



G: Air connection

Size [mm]	Item Number	Holding power [N] RB	Ø D [mm]	LK Ø D1 [mm]	L [mm]	L1 [mm]	G	G1	H [mm]	B [mm]	Ø B1 [mm]
12	RBPS 1200	10000	99	70	150	8,4	G1/8"	M6	8	16,6	20
14	RBPS 1400	10000	99	70	150	8,4	G1/8"	M6	8	16,6	20
15	RBPS 1500	10000	99	70	150	8,4	G1/8"	M6	8	16,6	20
16	RBPS 1600	10000	99	70	150	8,4	G1/8"	M6	8	16,6	20
18	RBPS 1800	10000	99	70	150	8,4	G1/8"	M6	8	16,6	20
20	RBPS 2000	10000	99	70	150	8,4	G1/8"	M6	8	16,6	20
22	RBPS 2200	18.000	135	90	165	9,25	G1/8"	M8	9	20	28
24	RBPS 2400	18.000	135	90	165	9,25	G1/8"	M8	9	20	28
25	RBPS 2500	18.000	135	90	165	9,25	G1/8"	M8	9	20	28
26	RBPS 2600	18.000	135	90	165	9,25	G1/8"	M8	9	20	28
28	RBPS 2800	18.000	135	90	165	9,25	G1/8"	M8	9	20	28
30	RBPS 3000	⊙									
32	RBPS 3200	⊙									
35	RBPS 3500	⊙									
36	RBPS 3600	⊙									
38	RBPS 3800	⊙									
40	RBPS 4000	⊙									
42	RBPS 4200	⊙									
45	RBPS 4500	⊙									
46	RBPS 4600	⊙									
48	RBPS 4800	⊙									
50	RBPS 5000	⊙									
55	RBPS 5500	⊙									
60	RBPS 6000	⊙									

Further round-shaft sizes on request.
Highlighted sizes are standard products.

RB