


# Enclosures that **Protect** and **LOOK GOOD** too!

**Altech** enclosures by  **spelsberg** provide needed protection in a functional and creative way, while enhancing the value of your product with their appealing designs.

Whatever your application may be, you can rely on our enclosures to meet the most demanding requirements.

## **Rustproof**

- Polycarbonate/Polystyrene enclosures will last indefinitely without corrosion

## **Visibility**

- Components and devices are fully visible through transparent covers, while completely protected and insulated

## **Impact Resistant**

- Non-metallic enclosures withstand bumps and blows, they will not dent

## **Maintenance Free**

- Surface finish does not deteriorate and requires no special painting or refinishing

## **Chemical resistant**

- Resist weak and strong acids and alkali

## **Lightweight**

- Non-metallic enclosures weigh significantly less than metal, simplifying handling

## **Flexibility**

- Enclosures can be easily customized



*Illustrated are just a few of the applications for our enclosures.*

# APPLICATION IDEAS

**Altech**  
by **els spelsberg**

Whatever your application, you can rely on **Altech** enclosures by **els spelsberg** to meet the most demanding requirements for housing and protecting components and devices. And we do it with functional, yet appealing designs that can enhance the value of your product. From light to heavy duty industrial or marine environments, our family of enclosures secure and protect control components, DIN rail mount terminal blocks and circuit breakers, switches, meters, printed circuit boards, as well as instruments and sensors.

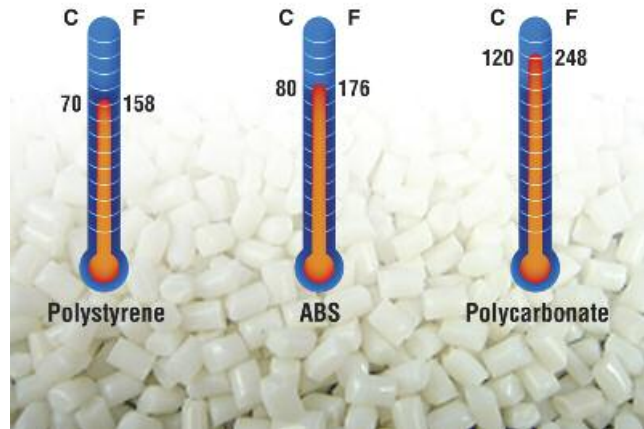
Using state of the art machining, we can equip your enclosures with terminal blocks and other custom components to meet your special requirements.



*Illustrated are just a few of the applications for our enclosures.*

# DESIGN FEATURES

Altech  
by els spelsberg



## Smooth or Knockout Sidewalls

Smooth sidewalls provide for installation of custom openings for wire, cable, conduit fittings, or mounting of devices

(TK, EK Series). Sidewall knockouts provide factory molded knockouts conveniently positioned for wire, cable or conduit fittings. They are quickly and easily removed by pushing out after scoring.

## Materials

Only flame retardant polystyrene, ABS or glass filled polycarbonate materials are used to meet the requirements of UL94 and VDE 0471.

Polycarbonate is suitable for temperatures up to 120°C (248°F), ABS is rated for temperatures up to 80°C (176°F) and 70°C (158°F) for Polystyrene. Polycarbonate is UV stable making it the appropriate choice for outdoor applications.



## Customization

Our enclosures can be factory supplied with custom openings. Using state of the art machining, we can punch, drill, mill or cut to your most exacting specifications. We customize quickly and accurately, ... at a reasonable cost!



## Colors

The standard color for the enclosure base is light gray. Covers are available in gray or tinted transparent (TK, EK, AK Series). Custom colors are available in production quantities upon request.

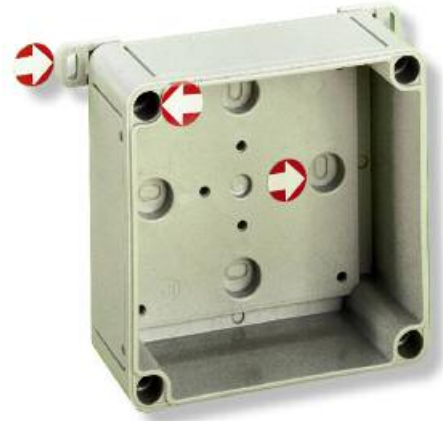
# DESIGN FEATURES

**Altech**  
by **els spelsberg**



## Protection

Protection up to IP67 (NEMA 4, 4X) can be attained depending on enclosure series and fittings selected.



## Enclosure Mounting

**Altech** enclosures by **els spelsberg** can be mounted directly onto a panel, frame or other mounting surface through corner mounting holes, knockout holes molded into the base, or optional mounting tabs. Sealing caps for base mounted screws are included.

**Note:** Corner hole or flange mounting is required to maintain the NEMA 4X rating on TK and EK Enclosures.



## Covers

Covers are available in alternate heights, in standard gray or tinted transparent. Quick release, polyamide screws make cover removal easy.

# DESIGN FEATURES

Altech  
by els spelsberg



## Combination Kits

Enclosures can be combined to create layer units or special configurations with the use of combination kits. The combination kit ensures that the degree of protection will be maintained. Refer to page 137 for ordering information.

## EMI/RFI Coating

The TK Series Enclosures can be EMI/RFI shielded. The enclosures are internally vacuum coated with conducting metal. This coating effectively protects valuable equipment from electromagnetic interference and electrostatic discharge.



## Hinge Kits

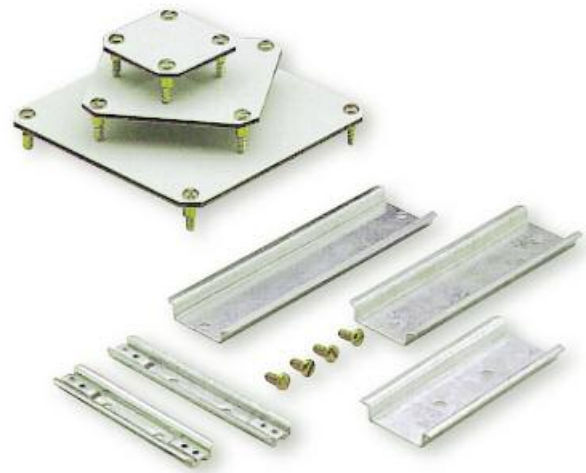
Hinges maximize accessibility. They are supplied as kits, complete with mounting instructions, hardware and a mounting template. Hinges do not compromise NEMA or IEC ratings when installed to factory guidelines or when factory installed. Refer to page 138 for ordering information.

## TG Series Unique Design

The TG series incorporates design features to make work faster, easier and more efficient. All TG Enclosures have integral cover retainers. This captive lid often eliminates the need for additional hinge sets while keeping the lid close at hand. Quick turn screws are optional on the TG series. These screws feature 1/4 turn functionality for fast, reliable access to the enclosure. A simple 1/4 turn releases the screw, pushing the screw back in and another 1/4 turn secures it.

# DESIGN FEATURES

**Altech**  
by **els spelsberg**



## Seals

A groove and lip type seal design is used on most series to provide the highest possible degree of protection. The seamless polyurethane seals are automatically injected into the grooves, insuring consistent quality.

Having excellent memory characteristics, our seals will not dry out, crack or deteriorate.

## Mounting Plates and DIN Rails

Mounting plates and DIN rails are supplied as kits complete with screws and spacers where needed. Mounting plates are used to attach components and devices having specific hole patterns that do not match standard base mounting provisions. Refer to pages 137-139 for specifying and ordering information.



## Fittings

Fittings are an important part of the enclosure's sealing system. To satisfy the appropriate NEMA and/or IEC requirements, the proper fittings must be selected. For our wide selection of Pg, metric and NPT fittings, refer to pages 138-140.