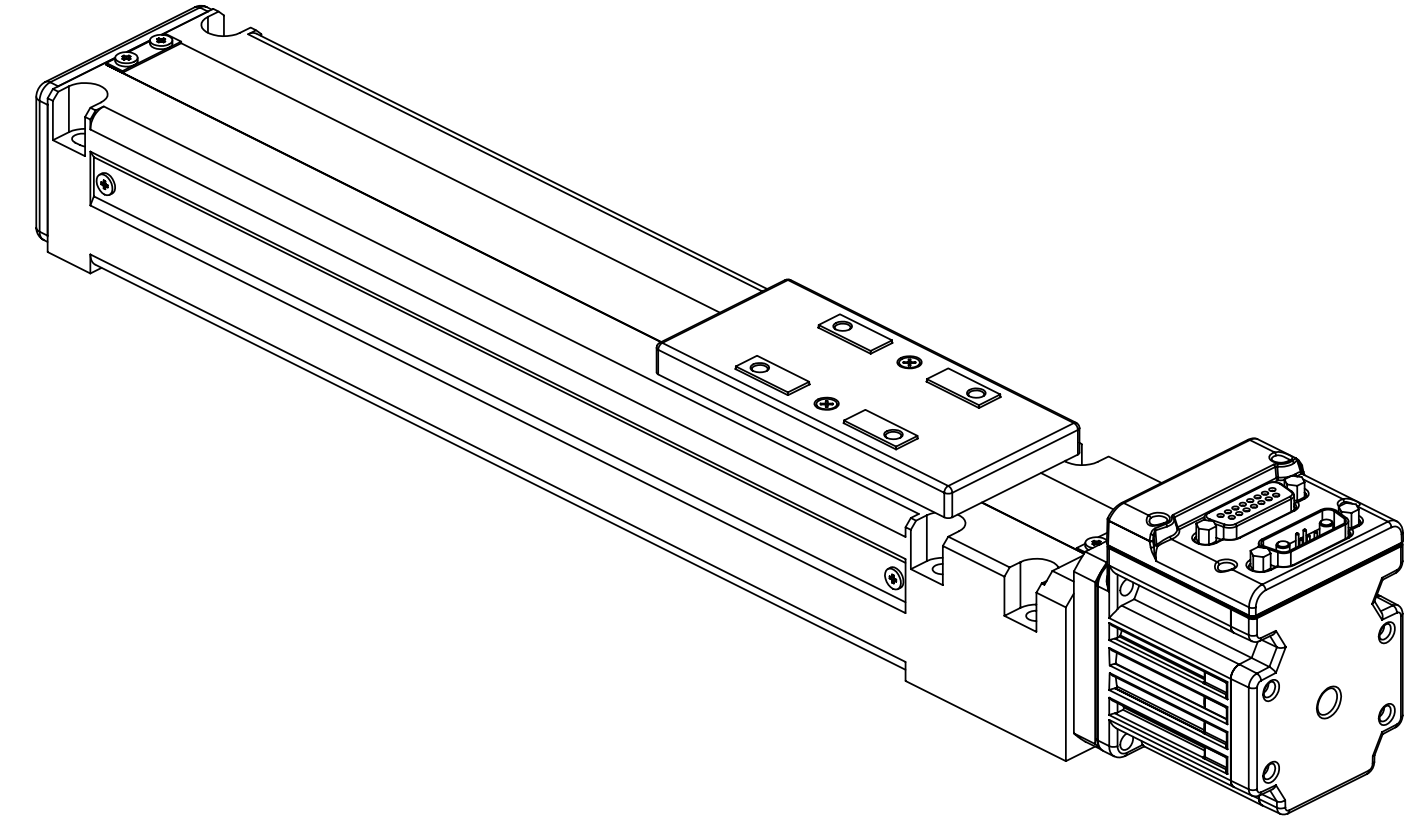
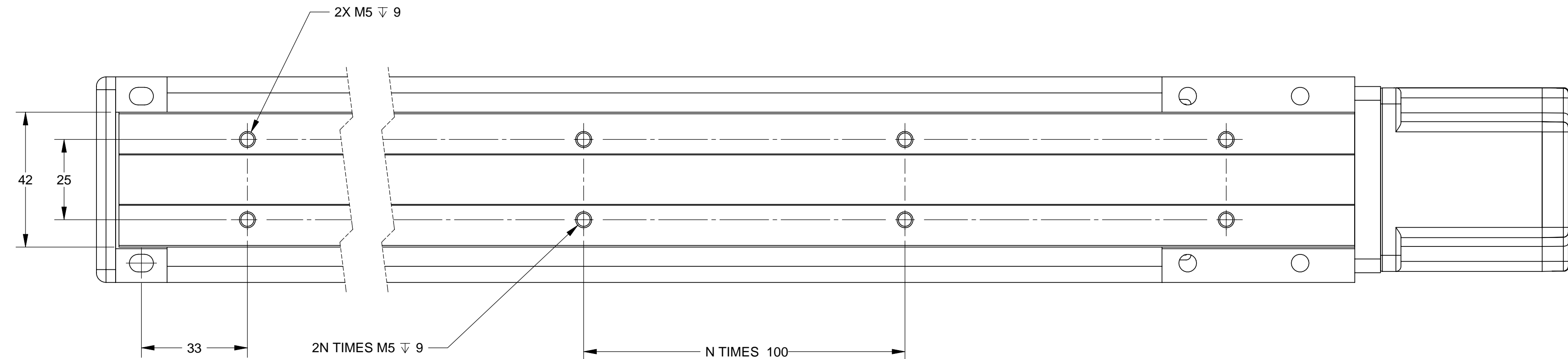
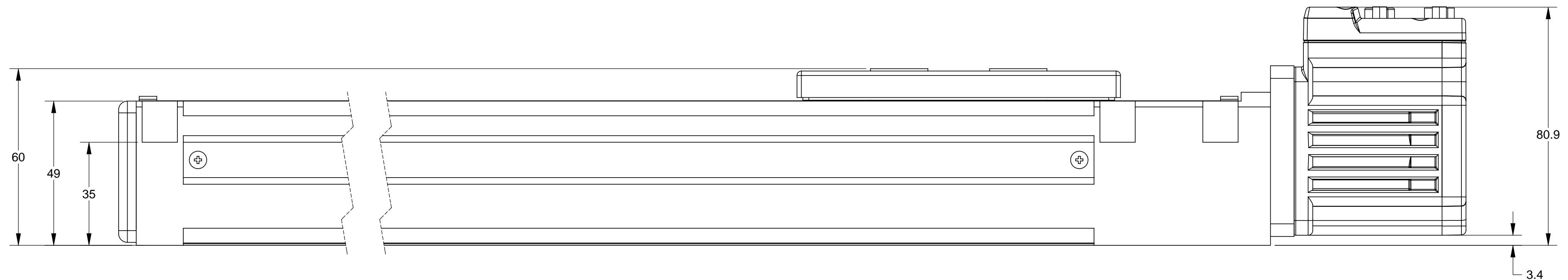
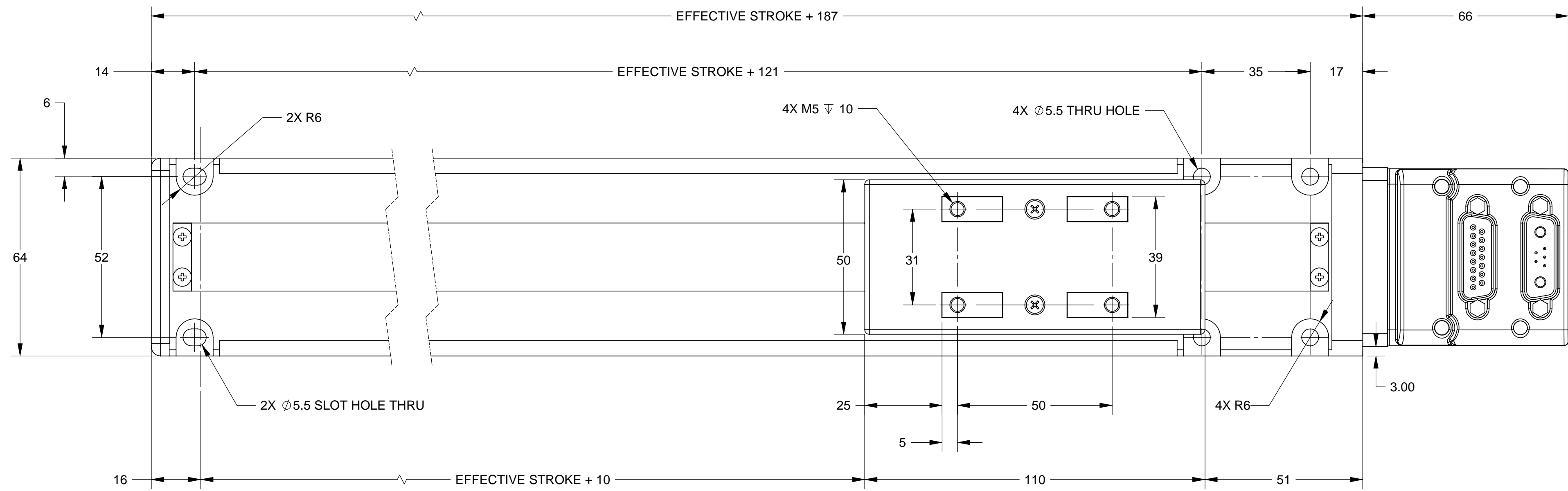


REV.	DESCRIPTION	ZONE	ECO	DATE	APPROVED
0	INITIAL RELEASE		N/A	2/4/2008	M. TRAN
1	PREP FOR WEB RELEASE (NO TECHNICAL CHANGES)		N/A	10/7/2010	GS



THIS DOCUMENT AND ENTIRE INFORMATION HEREON ARE PROPRIETARY TO OEM DYNAMICS AND SHALL NOT BE USED IN ANY WAY DETRIMENTAL TO OEM DYNAMICS INTEREST NOR REPRODUCED WHATSOEVER WITHOUT EXPRESS CONSENT

MATERIAL	FINISH	DRAWN	M. TRAN	DATE	2/4/2008
		ENGR	M. TRAN	DATE	2/4/2008

**METRIC** UNLESS OTHERWISE SPECIFIED: DIMENSIONS ARE MILLIMETERS AND TOLERANCES ARE: INTERPRET DIMENSIONS AND TOLERANCES PER ASME Y14.5M - 1994.

THIRD ANGLE PROJECTION

DECIMALS: .XX ± NA .X ± NA  
 ANGLES: .XX ± NA .X ± NA

**OEM Dynamics** California, USA  
 www.OEMDynamics.com

TITLE: SPECIFICATION DRAWING VL-ST60

SIZE	DWG NO	REV
D	VLST60-XXXX-XXXX-XXX-XXXXXXX	1

DO NOT SCALE DRAWING SCALE 1:1 SHEET 1 OF 1