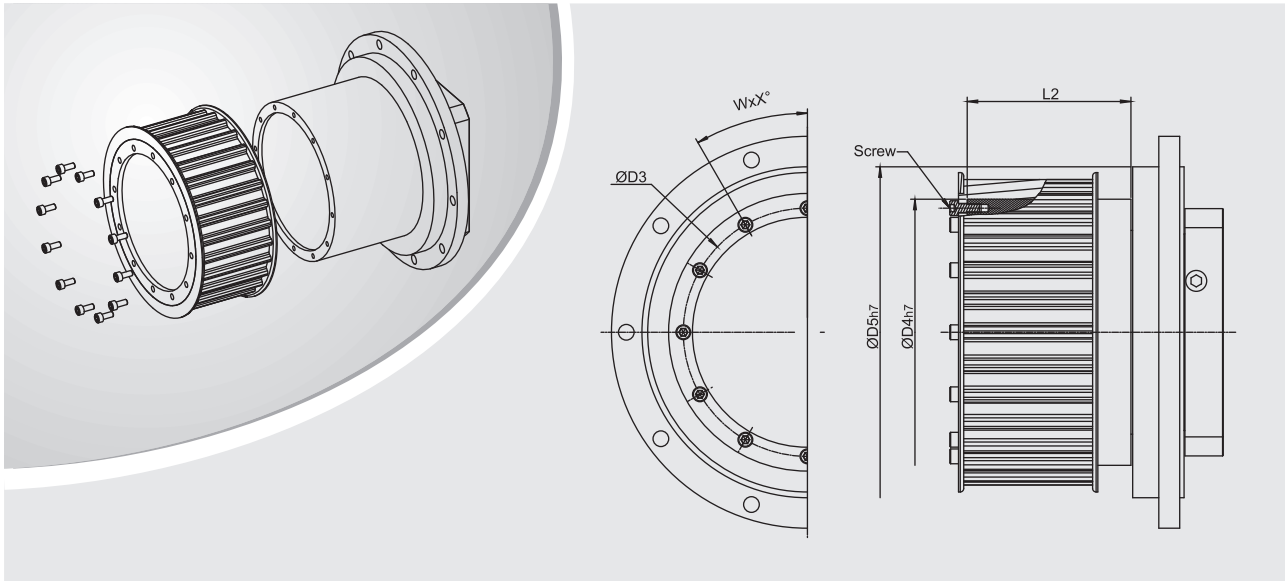


Belt Pulley Designs



[unit: mm]

Key Dimension For Pulley Design

Dimension	AL070	AL095	AL110	AL150	AL190	AL230	AL280
	ALR070	ALR095	ALR110	ALR150	ALR190	ALR230	ALR280
L2	36	55.5	60.5	79	94	115	116
D3	42	61.5	78.5	110	142.5	179	216
D4 _{h7}	47.7	67.3	87.3	118.1	152.8	190	229.2
D5 _{h7}	70	95	110	150	190	230	280
Screw	M3 x 0.5P	M3 x 0.5P	M4 x 0.7P	M5 x 0.8P	M5 x 0.8P	M6 x 1P	M6 x 1P
W	6	8	8	8	12	12	12
X	60	45	45	45	30	30	30