



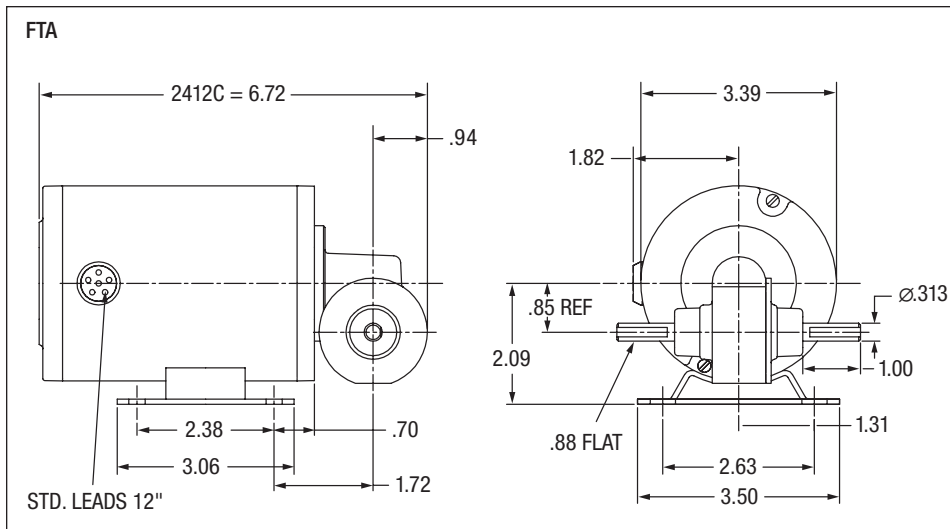
GC24003 Shown
FTA Style

Applications: General purpose fixed speed including conveyors, material handling equipment and packaging machinery.

Features: PSC motor design providing 100% starting torque. High strength bronze gearing, hardened and ground worm for quiet operation. High performance low friction, bidirectional motor seals. Factory lubricated with synthetic grease, no routine maintenance is required. Can be mounted in all positions including vertical motor below gearbox.

Input Motor Hp	Output RPM 50/60 Hz	Gear Ratio	Max. Safe Torque In. Lbs.	Catalog Number	List Price	Mult. Sym.	Ap'x. Shpg. Wgt.	Motor Type & Gear Style	Enclosure	Voltage	Notes ^(b)
Single Phase											
1/50	59/71.4	24:1	7.5	GC24003	406	DS	7	2412C-FTA	TENV	115	19,20

^(b) See notes on inside back flap.



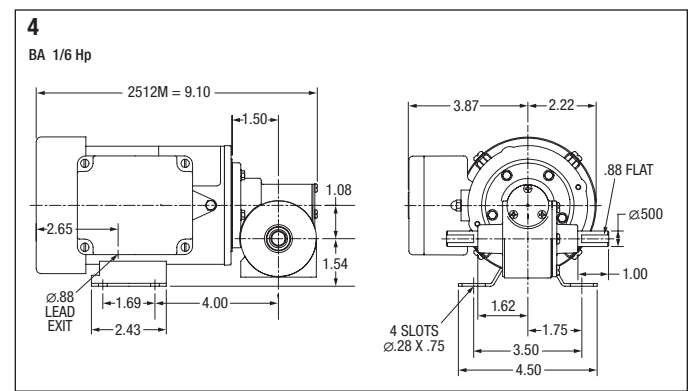
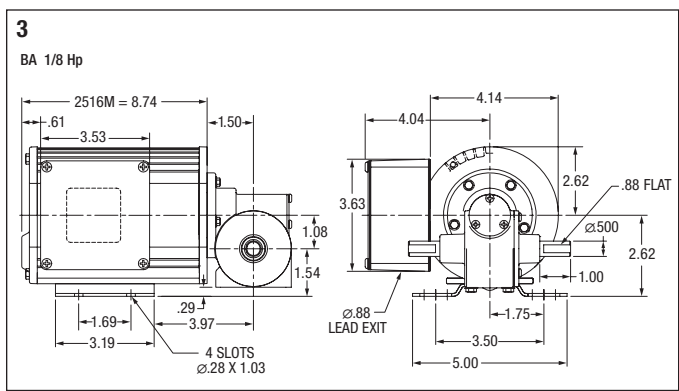
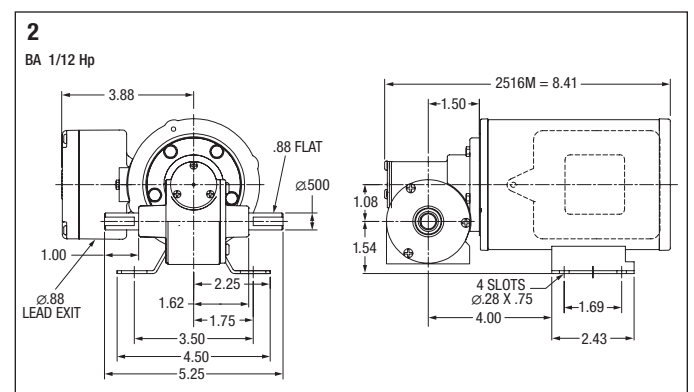
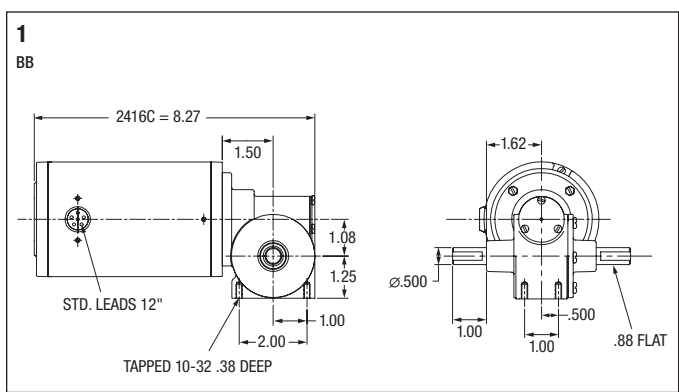


Applications: General purpose fixed speed including conveyors, material handling equipment and packaging machinery.

Features: Three and single-phase motor designs. High strength bronze gearing, hardened and ground worm for quiet operation. High performance low friction, bidirectional motor seals. Factory lubricated for life, no routine maintenance is required. Internal oil expansion bladder allows for multiple mounting positions, without relocating a breather vent.

Input Motor Hp	Output RPM 50/60 Hz	Gear Ratio	Max. Safe Torque In. Lbs.	Catalog (a) Number	List Price	Mult. Sym.	Ap'x. Shpg. Wgt.	Motor Type & Gear Style	Enclosure	Voltage	Notes (b)	Drawing Number
Single Phase												
1/20	35/42	40:1	30	GC24310	503	DS	10	2416C-BB	TENV	115	19,20,78	1
	68/82.7	20:1	24	GC24306	503	DS	10	2416C-BB	TENV	115	19,20,78	1
	133/160	10:1	14	GC24302	503	DS	10	2416C-BB	TENV	115	19,20,78	1
Three Phase												
1/12	95/115	15:1	30	GM25026	542	DS	12	2516M-BA	TENV	190/380//230/460	19,20	2
1/8	143/174	10:1	30	GM25024	558	DS	13	2516M-BA	TENV	190/380//230/460	19,20	3
	285/345	5:1	15	GM25022	558	DS	13	2516M-BA	TENV	190/380//230/460	19,20	3
1/6	230	15:1	27	GM3329	703	DS	11	2512M-BA	TEFC	208-230/460	20,33	4

(a) Vertical motor below gearhead not recommended. Avoiding those positions where the high speed oil seal is immersed in oil, will provide greater security against high speed input seal wear.
 (b) See notes on inside back flap.





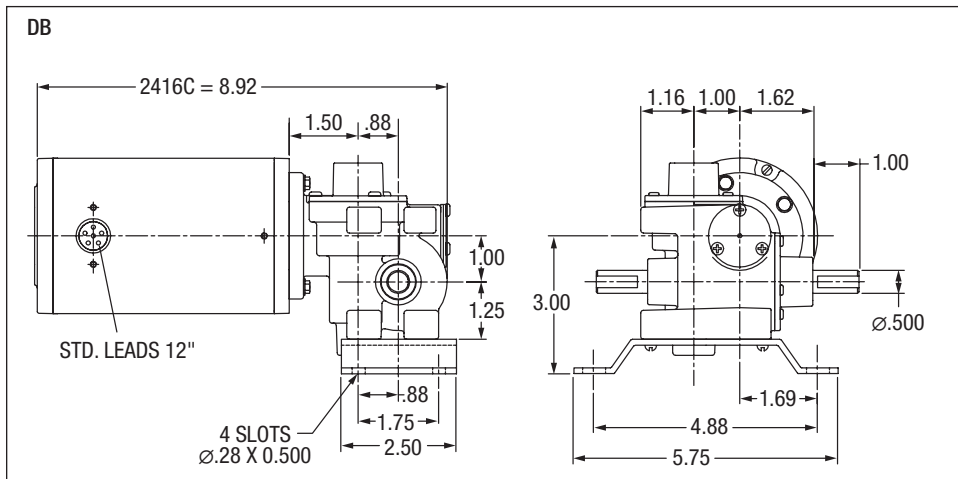
GC24208 Shown
DB Style

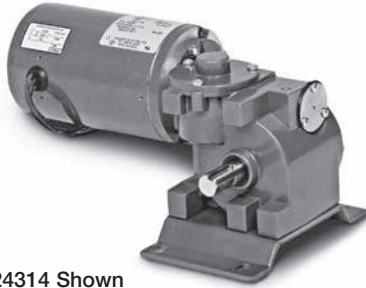
Applications: General purpose fixed speed including conveyors, material handling equipment and packaging machinery.

Features: PSC motor design provides 100% starting torque. High strength bronze gearing, hardened and ground worm for quiet operation. High performance low friction, bidirectional motor seals. Factory lubricated for life, no maintenance required. Internal oil expansion bladder allows for multiple mounting positions, without relocating a bladder vent.

Input Motor Hp	Output RPM 50/60 Hz	Gear Ratio	Max. Safe Torque In. Lbs.	Catalog ^(a) Number	List Price	Mult. Sym.	Ap'x. Shpg. Wgt.	Motor Type & Gear Style	Enclosure	Voltage	Notes ^(b)
Single Phase											
1/40	11.8/14	117:1	40	GC24208	540	DS	10	2412C-DB	TENV	115	19,20,78

(a) Vertical motor below gearhead not recommended. Avoiding those positions where the high speed oil seal is immersed in oil, will provide greater security against high speed input seal wear.
 (b) See notes on inside back flap.





GC24314 Shown
EB Style

Applications: General purpose fixed speed including conveyors, material handling equipment and packaging machinery.

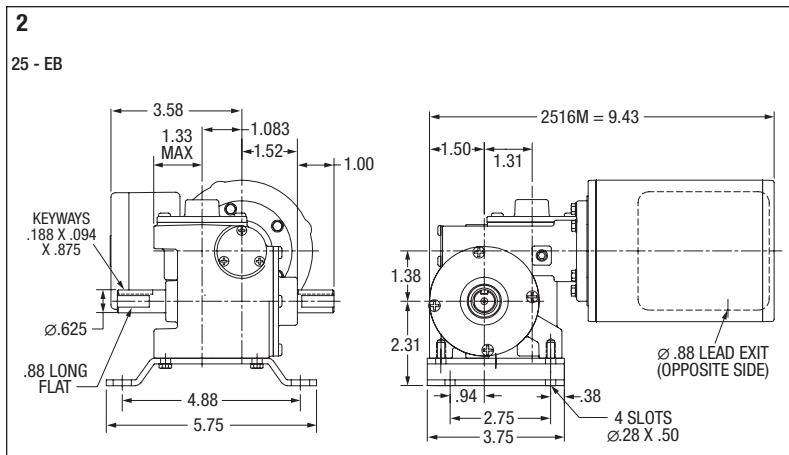
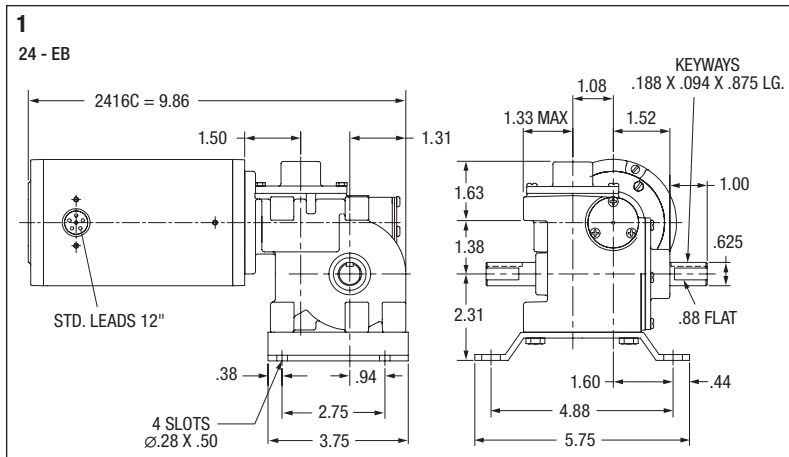
Features: Three and single-phase motor designs. High strength bronze gearing, hardened and ground worm for quiet operation. High performance low friction, bidirectional motor seals. Factory lubricated for life, no maintenance required. Internal oil expansion bladder allows for multiple mounting positions, without relocating a breather vent.

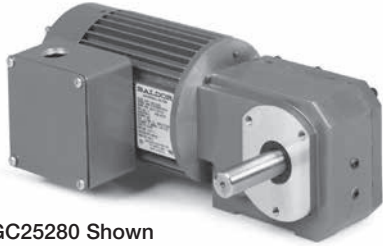
Input Motor Hp	Output RPM 50/60 Hz	Gear Ratio	Max. Safe Torque In. Lbs.	Catalog Number ^(a)	List Price	Mult. Sym.	Ap'x. Shpg. Wgt.	Motor Type & Gear Style	Enclosure	Voltage	Notes ^(b)	Drawing Number
Single Phase												
1/13	7.7/9.3	180:1	175	GC24314	690	DS	14	2416C-EB	TENV	115	19,20,78	1
1/20	12.7/16	100:1	100	GC24312	690	DS	12	2416C-EB	TENV	115	19,20,78	1
Three Phase												
1/12	1.5	1200:1	175	GM25021	730	DS	15	2516M-EB	TENV	208/230-460	20,33	2
	11.3	150:1	125	GM25016	730	DS	15	2516M-EB	TENV	208/230-460	20,33	2

(a) Vertical motor below gearhead not recommended.

Avoiding those positions where the high speed oil seal is immersed in oil, will provide greater security against high speed input seal wear.

(b) See notes on inside back flap.





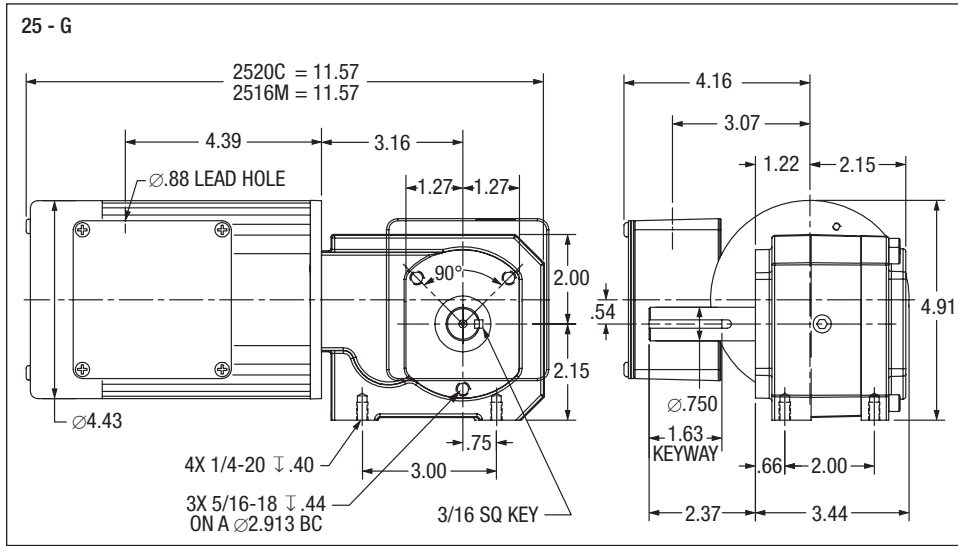
GC25280 Shown
G Style

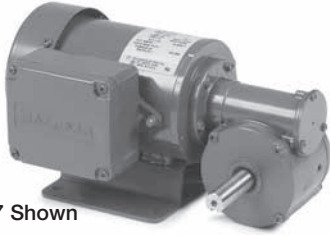
Applications: General purpose fixed speed including conveyors, material handling equipment and packaging machinery.

Features: Three and single-phase motor designs. PSC, single-phase gearmotors supplied with capacitor and conduit box. High strength bronze, ground worm first-stage and helical output stage. High performance low friction, bidirectional motor seals. Factory lubricated for life, no maintenance required. Completely sealed from the environment.

Input Motor Hp	Output RPM 60 Hz	Gear Ratio	Max. Safe Torque In. Lbs.	Catalog Number ^(a)	List Price	Mult. Sym.	Ap'x. Shpg. Wgt.	Motor Type & Gear Style	Enclosure	Voltage	Notes ^(b)
Single Phase											
1/6	4.9/5.9	280:1	400	GC25280	881	DS	20	2520C-G	TEFC	115	19,20
	7.4/8.9	190:1	385	GC25190	881	DS	21	2520C-G	TEFC	115	19,20
	11.6/14	120:1	300	GC25120	881	DS	20	2520C-G	TEFC	115	19,20
	17.5/21	80:1	290	GC25080	881	DS	15	2520C-G	TEFC	115	19,20
	23/28	60:1	220	GC25060	881	DS	20	2520C-G	TEFC	115	19,20
Three Phase											
1/6	4.9/5.9	280:1	400	GM25280	959	DS	12	2516M-G	TEFC	190/380//230/460	19,20
	7.3/8.9	190:1	385	GM25190	959	DS	20	2516M-G	TEFC	190/380//230/460	19,20
	11.3/13.3	120:1	300	GM25120	959	DS	10	2516M-G	TEFC	190/380//230/460	19,20
	16.5/20.4	80:1	310	GM25080	959	DS	20	2516M-G	TEFC	190/380//230/460	19,20
	22.5/27.5	60:1	250	GM25060	959	DS	20	2516M-G	TEFC	190/380//230/460	19,20

(a) Vertical motor below gearhead not recommended. Avoiding those positions where the high speed oil seal is immersed in oil, will provide greater security against high speed input seal wear.
 (b) See notes on inside back flap.





GC24307 Shown
KA Style

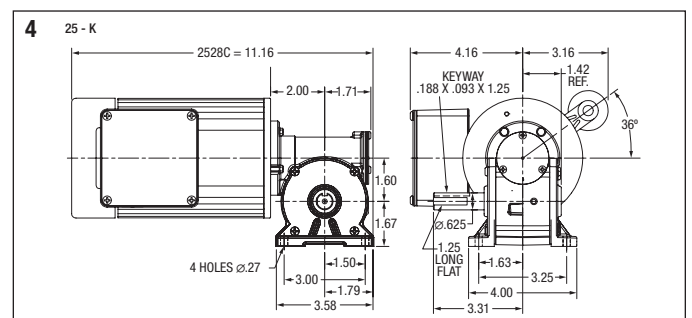
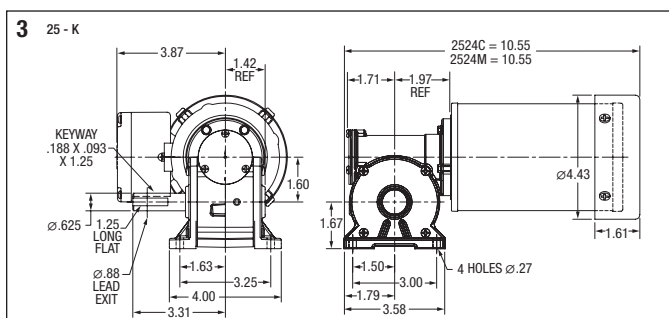
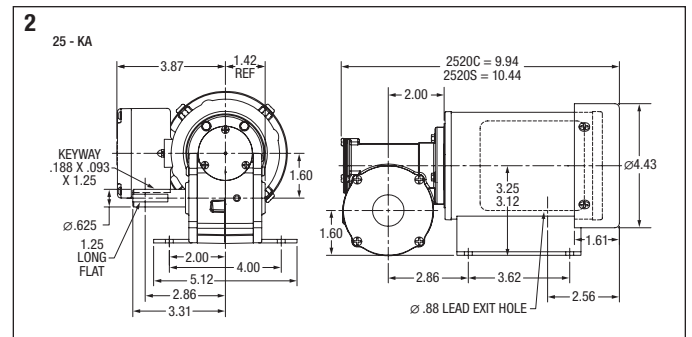
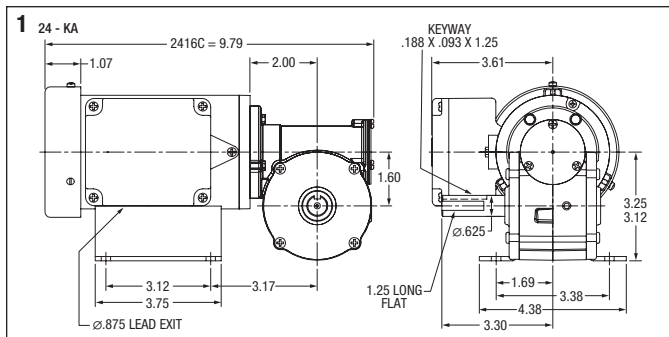
Applications: General purpose fixed speed including conveyors, material handling equipment and packaging machinery.

Features: Three and single-phase motor designs. High strength bronze gearing, hardened and ground worm for quiet operation. High performance low friction, bidirectional motor seals. Factory lubricated for life, no maintenance required. Internal oil expansion bladder allows for multiple mounting positions, without relocating a breather vent.

Input Motor Hp	Output RPM 50/60 Hz	Gear Ratio	Max. Safe Torque In. Lbs.	Catalog Number ^(a)	List Price	Mult. Sym.	Ap'x. Shpg. Wgt.	Motor Type & Gear Style	Enclosure	Voltage	Notes ^(b)	Drawing Number
Single Phase												
1/15	23/28	60:1	45	GC24307	537	DS	11	2416C-KA	TEFC	110//115	19,20	1
	35/42	40:1	49	GC24308	537	DS	11	2416C-KA	TEFC	110//115	19,20	1
	68/82.5	20:1	32	GC24309	537	DS	11	2416C-KA	TEFC	110//115	19,20	1
	135/165	10:1	18	GC24311	537	DS	11	2416C-KA	TEFC	110//115	19,20	1
1/8	34/41	40:1	90	GC25004	635	DS	16	2520C-KA	TEFC	110//115	19,20	2
	46/55	30:1	78	GC25006	635	DS	16	2520C-KA	TEFC	110//115	19,20	2
	69/82	20:1	57	GC25007	635	DS	16	2520C-KA	TEFC	110//115	19,20	2
	130/160	10:1	33	GC25008	635	DS	16	2520C-KA	TEFC	110//115	19,20	2
	36/43	40:1	90	GC25009	635	DS	17	2520S-KA	TEFC	110//115	19,20	2
	48/57	30:1	78	GC25011	635	DS	15	2520S-KA	TEFC	110//115	19,20	2
	71/86	20:1	57	GC25012	635	DS	15	2520S-KA	TEFC	110//115	19,20	2
	140/170	10:1	33	GC25014	635	DS	15	2520S-KA	TEFC	110//115	19,20	2
1/6	33/41	40:1	130	GC3320	701	DS	15	2524C-K	TEFC	110//115	19,20	3
	67/82	20:1	75	GC3321	701	DS	15	2524C-K	TEFC	110//115	19,20	3
	135/165	10:1	43	GC3322	701	DS	15	2524C-K	TEFC	110//115	19,20	3
	265/320	5:1	23	GC3324	701	DS	15	2524C-K	TEFC	110//115	19,20	3
	35/42	40:1	130	GC3326	701	DS	18	2528L-K	TEFC	110//115	19,20	4
	71/85	20:1	75	GC3327	701	DS	21	2528L-K	TEFC	110//115	19,20	4
	135/165	10:1	43	GC3328	701	DS	21	2528L-K	TEFC	110//115	19,20	4
280/335	5:1	23	GC3329	701	DS	18	2528L-K	TEFC	110//115	19,20	4	
Three Phase												
1/4	35/42.8	40:1	170	GM3340	848	DS	16	2524M-K	TEFC	190/380//230/460	19,20	3
	70/85	20:1	112	GM3345	848	DS	16	2524M-K	TEFC	190/380//230/460	19,20	3
	140/170	10:1	72	GM3347	848	DS	16	2524M-K	TEFC	190/380//230/460	19,20	3
	279/340	5:1	36	GM3349	848	DS	16	2524M-K	TEFC	190/380//230/460	19,20	3

(a) Vertical motor below gearhead not recommended. Avoiding those positions where the high speed oil seal is immersed in oil, will provide greater security against high speed input seal wear.

(b) See notes on inside back flap.





GC24322 Shown
CB Style

Applications: General purpose fixed speed including conveyors, material handling equipment and packaging machinery.

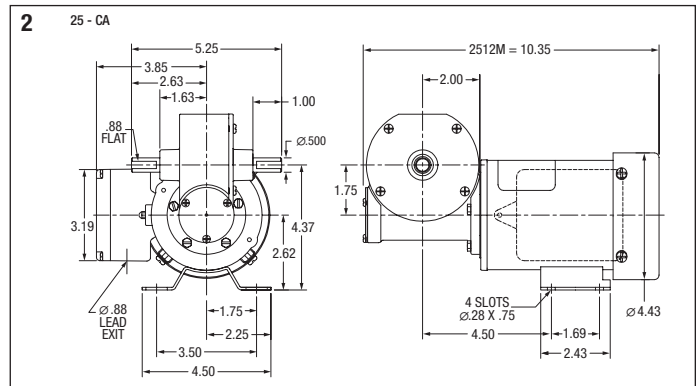
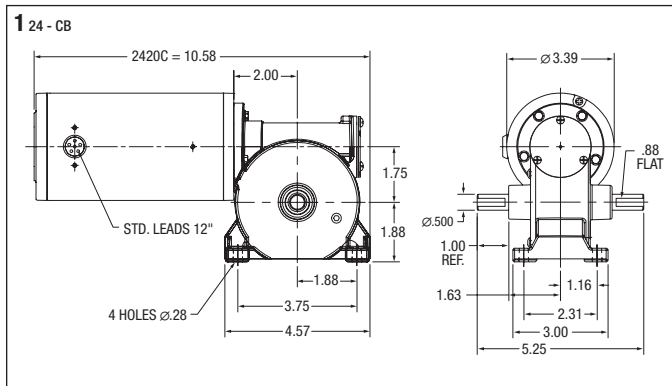
Features: Three and single-phase designs. High strength bronze gearing, hardened and ground worm for quiet operation. High performance low friction, bidirectional motor seals. Factory lubricated for life, no maintenance required. Internal oil expansion bladder allows for multiple mounting positions, without relocating a breather vent.

Input Motor Hp	Output RPM 50/60 Hz	Gear Ratio	Max. Safe Torque In. Lbs.	Catalog Number ^(a)	List Price	Mult. Sym.	Ap'x. Shpg. Wgt.	Motor Type & Gear Style	Enclosure	Voltage	Notes ^(b)	Drawing Number
Single Phase												
1/12	23/27.7	58:1	75	GC24322	540	DS	13	2420C-CB	TENV	110/115	19,20,78	1
	41/49.6	33:1	62	GC24320	540	DS	13	2420C-CB	TENV	110/115	19,20,78	1
	60/71	22.5	49	GC24318	540	DS	13	2420C-CB	TENV	110/115	19,20,78	1
	123/148	11:1	25	GC24316	540	DS	13	2420C-CB	TENV	110/115	19,20,78	1
Three Phase												
1/6	156	22.5:1	42	GM3331	738	DS	13	2512M-CA	TEFC	208-230/460	20,33	2

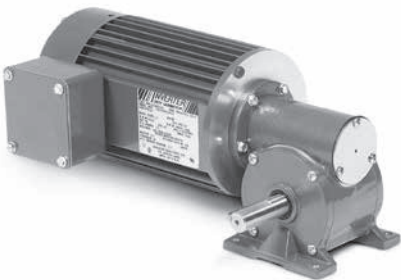
(a) Vertical motor below gearhead not recommended.

Avoiding those positions where the high speed oil seal is immersed in oil, will provide greater security against high speed input seal wear.

(b) See notes on inside back flap.



Inverter Gear Motor - 3/8 Hp Right Angle -TEFC



Applications: Ideally suited for conveyors, material handling, packaging equipment applications requiring adjustable speed and no maintenance. Available in a broad range of gear ratios to meet your demanding application needs.

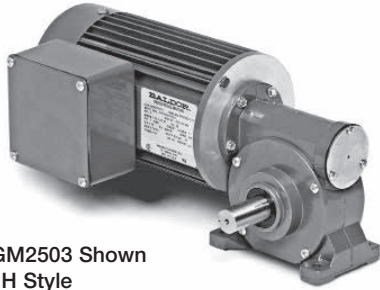
Features: Superior insulation system designed to comply with NEMA MG-1 part 31 for inverter power. IP44 environmental protection. Designed for use on Baldor Series 15J, 15P and Series 5 Inverters operating on 230 volts output. Both Parallel shaft and Right Angle gearmotors are lubricated for life and require no routine maintenance. Right Angle gearmotors feature our internal oil expansion bladder which eliminates the need for a breather while allowing the gearmotor to be mounted in any position (see note below).

Input Motor Hp	Output RPM 60 Hz.	Gear Ratio	Speed Range	Maximum Safe Torque In-Lbs @ 60 Hz	Catalog Number	List Price	Mult. Sym.	Ap'x. Shpg. Wgt.	Motor Type & Gear Style	Volt Code
Right Angle										
3/8	22	75	3.4-33	315	IDGM2509	766	E2	17	2528M-K	C
	28	60	4.5-41	252	IDGM2508	766	E2	17	2528M-K	C
	41	40	6.6-62	228	IDGM2506	766	E2	18	2528M-K	C
	83	20	12-123	138	IDGM2503	766	E2	17	2528M-K	C
	165	10	23-246	105	IDGM2501	766	E2	17	2528M-K	C
	330	5	43-490	68	IDGM2500	766	E2	17	2528M-K	C

NOTE: Avoiding those positions where the high speed oil seal is immersed in oil, will provide greater security against seal wear.

Vertical motor below gearbox mounting is possible with modification, contact Baldor for details.

Voltage: @ 60 Hz: C = 230 volts



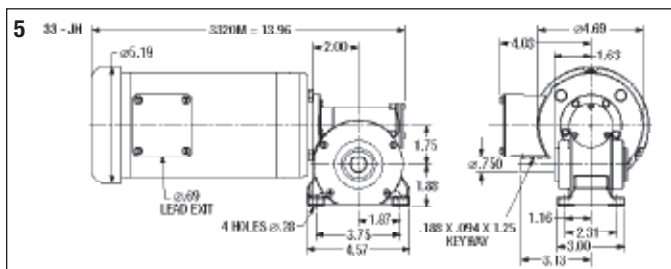
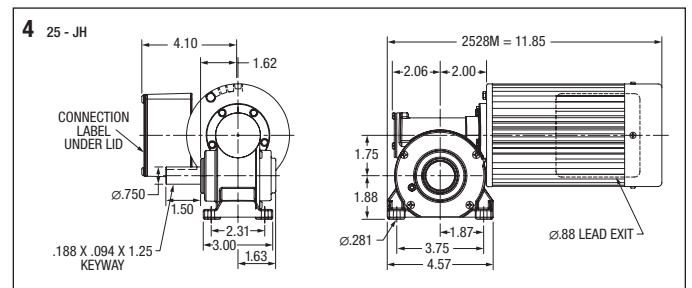
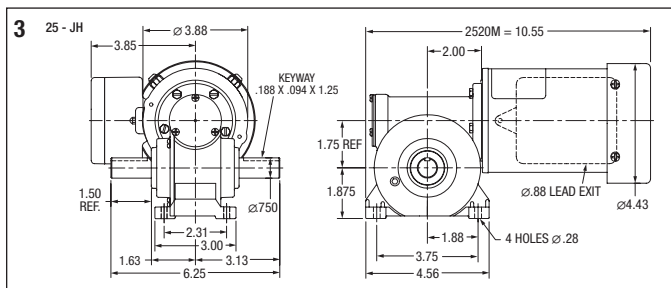
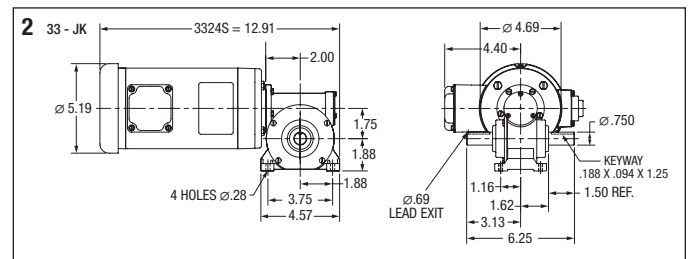
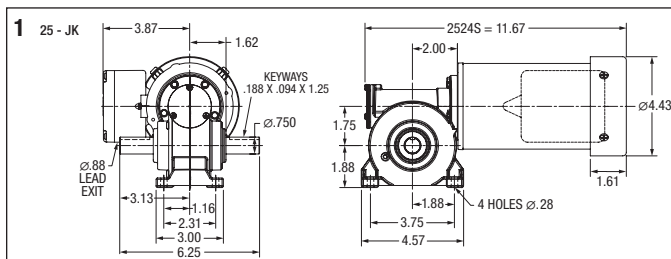
GM2503 Shown
JH Style

Applications: General purpose fixed speed including conveyors, material handling equipment and packaging machinery.

Features: Three and single-phase motor designs. High strength bronze gearing, hardened and ground worm for quiet operation. High performance low friction, bidirectional motor seals. Factory lubricated for life, no maintenance required. Internal oil expansion bladder allows for multiple mounting positions, without relocating a breather vent.

Input Motor Hp	Output RPM 50/60 Hz	Gear Ratio	Max. Safe Torque In. Lbs.	Catalog (a) Number	List Price	Mult. Sym.	Ap'x. Shpg. Wgt.	Motor Type & Gear Style	Enclosure	Voltage	Notes (b)	Drawing Number
Single Phase												
1/8	30/37	45:1	125	GC25020	643	DS	16	2524S-JK	TEFC	115	19,20	1
	43/50	33:1	100	GC25015	643	DS	16	2524S-JK	TEFC	115	19,20	1
	62/74	22.5:1	79	GC25010	643	DS	16	2524S-JK	TEFC	115	19,20	1
	126/152	11:1	41	GC25005	643	DS	16	2524S-JK	TEFC	115	19,20	1
1/4	74	22.5:1	125	GC3330	701	DS	26	3324S-JK	TEFC	115	33	2
	151	11:1	70	GC3325	701	DS	26	3324S-JK	TEFC	115	33	2
Three Phase												
1/6	38	45:1	125	GM3337	852	DS	16	2520M-JK	TEFC	208-230/460	20,33	3
	75	22.5:1	85	GM3334	852	DS	15	2520M-JK	TEFC	208-230/460	20,33	3
1/4	104	33:1	75	GM3338	852	DS	16	2520M-JK	TEFC	208-230/460	20,33	3
1/3	34	50:1	256	GM2507	867	DS	18	2528M-JH	TEFC	208-230/460	20,33	4
	42	40:1	230	GM2506	867	DS	18	2528M-JH	TEFC	208-230/460	20,33	4
	84	20:1	155	GM2503	867	DS	18	2528M-JH	TEFC	208-230/460	20,33	4
	168	10:1	90	GM2501	867	DS	18	2528M-JH	TEFC	208-230/460	20,33	4
1/2	35	50:1	295	GM3307	873	DS	26	3320M-JH	TEFC	208-230/460	33	5
	44	40:1	280	GM3306	873	DS	26	3320M-JH	TEFC	208-230/460	33	5
	88	20:1	200	GM3303	873	DS	27	3320M-JH	TEFC	208-230/460	33	5
	175	10:1	135	GM3301	873	DS	26	3320M-JH	TEFC	208-230/460	33	5

(a) Vertical motor below gearhead not recommended. Avoiding those positions where the high speed oil seal is immersed in oil, will provide greater security against high speed input seal wear. (b) See notes on inside back flap.





GHL and GHM Shown
H Style

Applications: General purpose fixed speed including conveyors, material handling equipment and packaging machinery.

Features: Three and single-phase motor designs. High strength bronze gearing, hardened and ground worm for quiet operation. Permanently lubricated with synthetic Klubersynth UH1-6-460 oil, USDA food grade lubrication for H1 applications. Internal oil expansion bladder allows for multiple mounting positions, without relocating a breather vent. Double output hollow output bore is 1.00" with keyway for greater mounting flexibility. Supplied with torque arm and cover for exposed end of shaft.

Input Motor Hp	Output RPM 60 Hz	Gear Ratio	Max. Safe Torque In. Lbs.	Catalog Number (a)	List Price	Mult. Sym.	Ap'x. Shpg. Wgt.	Motor Type & Gear Style	Enclosure	Voltage	Notes (b)
Single Phase											
1/2	29	60:1	600	GHL35060	1,123	DS	45	3421L-H	TEFC	115/230	33
	58	30:1	350	GHL35030	1,123	DS	45	3421L-H	TEFC	115/230	33
	88	20:1	250	GHL35020	1,123	DS	45	3421L-H	TEFC	115/230	33
	175	10:1	150	GHL35010	1,123	DS	45	3421L-H	TEFC	115/230	33
3/4	58	30:1	550	GHL37530	1,208	DS	50	3428LC-H	TEFC	115/230	33
	88	20:1	420	GHL37520	1,208	DS	50	3428LC-H	TEFC	115/230	33
	175	10:1	230	GHL37510	1,208	DS	50	3428LC-H	TEFC	115/230	33
1	58	30:1	750	GHL31030	1,379	DS	55	3524L-H	TEFC	115/230	33
	88	20:1	550	GHL31020	1,379	DS	55	3524L-H	TEFC	115/230	33
	175	10:1	300	GHL31010	1,379	DS	55	3524L-H	TEFC	115/230	33
Three Phase											
1/2	29	60:1	600	GHM35060	1,083	DS	40	3416M-H	TEFC	230/460	30,33
	35	50:1	609	GHM35050	1,083	DS	40	3416M-H	TEFC	230/460	30,33
	44	40:1	528	GHM35040	1,083	DS	27	3416M-H	TEFC	230/460	30,33
	58	30:1	350	GHM35030	1,083	DS	40	3416M-H	TEFC	230/460	30,33
	87	20:1	200	GHM35020	1,083	DS	40	3416M-H	TEFC	230/460	30,33
	174	10:1	135	GHM35010	1,083	DS	40	3416M-H	TEFC	230/460	30,33
3/4	58	30:1	550	GHM37530	1,114	DS	42	3420M-H	TEFC	208-230/460	33
	88	20:1	420	GHM37520	1,114	DS	42	3420M-H	TEFC	208-230/460	33
	175	10:1	230	GHM37510	1,114	DS	42	3420M-H	TEFC	208-230/460	33
1	58	30:1	750	GHM31030	1,144	DS	48	3426M-H	TEFC	208-230/460	33
	88	20:1	550	GHM31020	1,144	DS	45	3426M-H	TEFC	208-230/460	33
	175	10:1	300	GHM31010	1,144	DS	45	3426M-H	TEFC	208-230/460	33

(a) Vertical motor below gearhead not recommended.

Avoiding those positions where the high speed oil seal is immersed in oil, will provide greater security against high speed input seal wear.

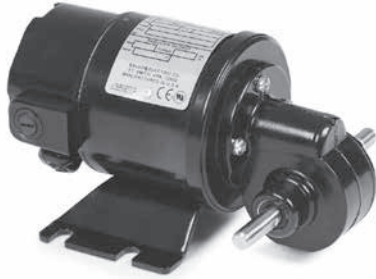
(b) See notes on inside back flap.

H Gearbox Accessories



Baldor offers optional base and shaft kits for H style gearmotors. Adding a base and shaft kit allows them to be used in applications requiring a right-angle shaft extension. The shaft can be used for either right or left hand output applications.

Catalog Number	Description	List Price	Mult. Sym.	Ap'x. Shpg. Wgt.
B19H71	Horiz Base Kit	82	A8	1
SH10HS	Output Shaft Kit	26	A8	2



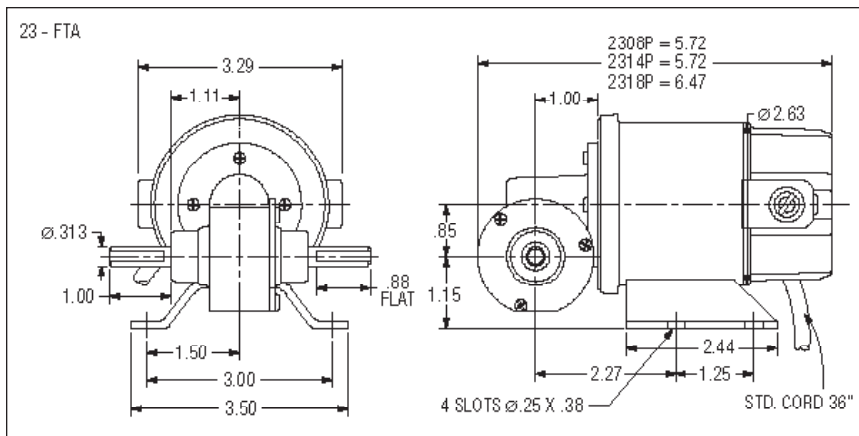
GP231003 Shown
FTA Style

Applications: Conveyors, medical and laboratory equipment, printing presses, commercial ovens, machine tools and other applications requiring adjustable speed.

Features: DCPM motor provides exceptional starting torque, adjustable speed, and predictable performance over a wide range of operating conditions. Bronze sleeve bearing on output for smooth torque transmission. High strength bronze gearing and hardened and ground worm for quiet operation. Hardened and ground worm for quiet operation. Permanently lubricated with synthetic grease lubrication, can be mounted in all positions including vertical motor below gearhead.

Input Motor Hp	Output Base Speed	Gear Ratio	Max. Safe Torque In. Lbs.	Catalog Number	List Price	Mult. Sym.	Ap'x. Shpg. Wgt.	Motor Type & Gear Style	Voltage D.C. Armature	Full Load Amperage Armature	Notes (a)
90 VDC											
1/50	87	20:1	7.3	GP231003	407	DS	5	2308P-FTA	90	0.34	20
1/25	140	12:1	11	GP231002	439	DS	5	2314P-FTA	90	0.54	20
1/17	312	8:1	6	GP231001	439	DS	5	2314P-FTA	90	0.62	20
1/25	344	5:1	5.1	GP232001	439	DS	5	2314P-FTA	90	0.49	20

(a) See notes on inside back flap.





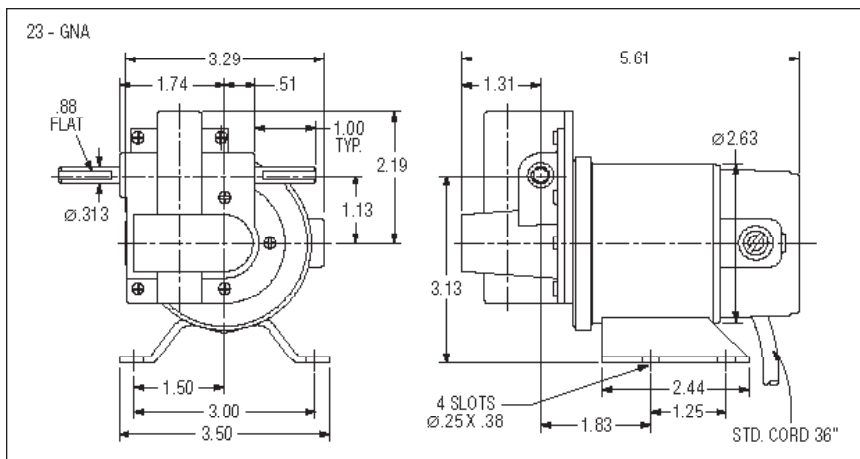
Applications: Conveyors, medical and laboratory equipment, printing presses, commercial ovens, machine tools and other applications requiring adjustable speed.

Features: DCPM motor provides exceptional starting torque, adjustable speed, and predictable operating conditions. High strength bronze gearing for increased torque capacity. High performance low friction, bidirectional motor seals. Permanently lubricated for life with synthetic grease lubrication, can be mounted in all positions including vertical motor below gearhead.

GP231005 Shown
GNA Style

Input Motor Hp	Output Base Speed	Gear Ratio	Max. Safe Torque In. Lbs.	Catalog Number	List Price	Mult. Sym.	Ap'x. Shpg. Wgt.	Motor Type & Gear Style	Voltage D.C. Armature	Full Load Amperage Armature	Notes (a)
90 VDC											
1/97	8.2	225:1	15	GP231005	427	DS	5	2308P-GNA	90	0.19	20

(a) See notes on inside back flap.





GP232002 Shown
BA Style

Applications: Conveyors, medical and laboratory equipment, printing presses, commercial ovens, machine tools and other applications requiring adjustable speed.

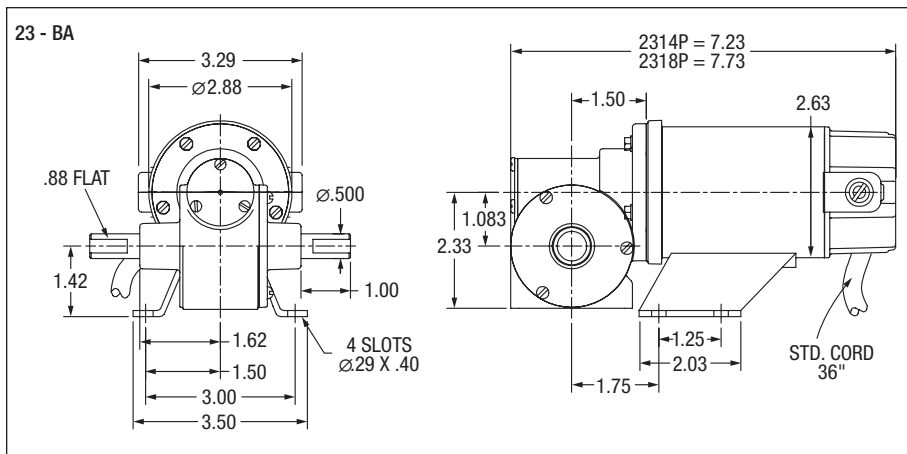
Features: DCPM motor provides exceptional starting torque, adjustable speed, and predictable performance over a wide range of operating conditions. Permaglide sleeve bearing on output for smooth torque transmission. High strength bronze gearing, hardened and ground worm for quiet operation. High performance low friction, bidirectional motor seals. Permanently lubricated with synthetic oil. Internal oil expansion chamber allows for all position mounting without relocating a breather vent.

Input Motor Hp	Output Base Speed	Gear Ratio	Max. Safe Torque In. Lbs.	Catalog (a) Number	List Price	Mult. Sym.	Ap'x. Shpg. Wgt.	Motor Type & Gear Style	Voltage D.C. Armature	Full Load Amperage Armature	Notes (b)
90 VDC											
1/22	40	40:1	30	GP232002	542	DS	7	2314P-BA	90	0.60	20
	60	30:1	33	GP233003	561	DS	8	2318P-BA	90	0.72	20
1/16	90	20:1	27	GP233002	561	DS	7	2318P-BA	90	0.75	20
	120	15:1	22	GP233007	561	DS	7	2318P-BA	90	0.78	20
	173	10:1	17	GP233001	561	DS	7	2318P-BA	90	0.85	20
180 VDC											
1/16	60	30:1	33	GP233023	561	DS	7	2318P-BA	180	0.42	20
1/14	86	20:1	28	GP233022	561	DS	7	2318P-BA	180	0.42	20
1/16	175	10:1	17	GP233021	561	DS	7	2318P-BA	180	0.42	20

(a) Vertical motor below gearhead not recommended.

Avoiding those positions where the high speed oil seal is immersed in oil, will provide greater security against high speed input seal wear.

(b) See notes on inside back flap.





GP232004 Shown
DA Style

Applications: Conveyors, medical and laboratory equipment, printing presses, commercial ovens, machine tools and other applications requiring adjustable speed.

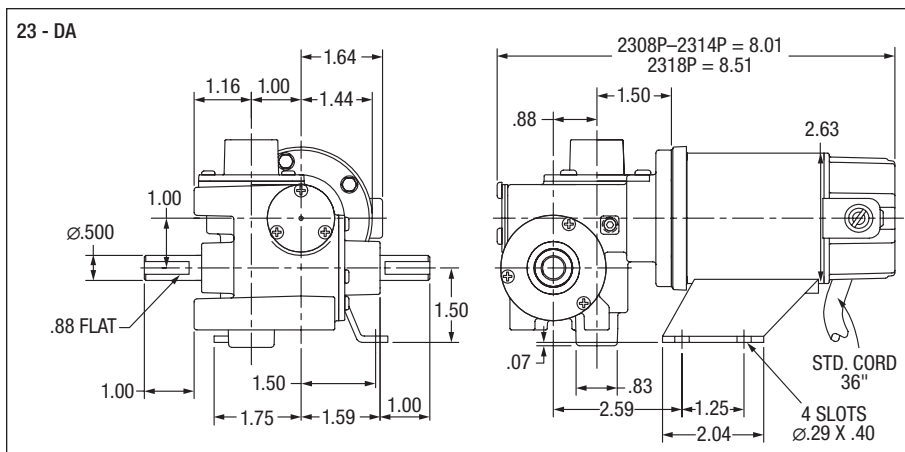
Features: DCPM motor provides exceptional starting torque, adjustable speed and predictable operating conditions. High strength bronze gearing for increased torque capacity. High performance low friction, bidirectional motor seals. Permanently lubricated with synthetic grease lubrication, can be mounted in all positions including vertical motor below gearhead.

Input Motor Hp	Output Base Speed	Gear Ratio	Max. Safe Torque In. Lbs.	Catalog Number ^(a)	List Price	Mult. Sym.	Ap'x. Shpg. Wgt.	Motor Type & Gear Style	Voltage D.C. Armature	Full Load Amperage Armature	Notes ^(b)
90 VDC											
1/66	1.7	1100:1	75	GP232004	606	DS	7	2308P-DA	90	0.18	20
1/49	3.7	660:1	75	GP232005	606	DS	7	2308P-DA	90	0.34	20
1/27	8.7	310:1	66	GP232006	606	DS	7	2314P-DA	90	0.44	20
1/15	19.6	130:1	64	GP232007	632	DS	7	2314P-DA	90	0.68	20
180 VDC											
1/83	1.9	1100:1	75	GP233020	632	DS	7	2314P-DA	180	0.11	20
1/31	4.1	660:1	75	GP233029	632	DS	7	2314P-DA	180	0.20	20
1/22	8.5	310:1	66	GP233028	632	DS	7	2314P-DA	180	0.26	20
1/20	19.7	130:1	64	GP233027	660	DS	7	2314P-DA	180	0.31	20

^(a) Vertical motor below gearhead not recommended.

Avoiding those positions where the high speed oil seal is immersed in oil, will provide greater security against high speed input seal wear.

^(b) See notes on inside back flap.





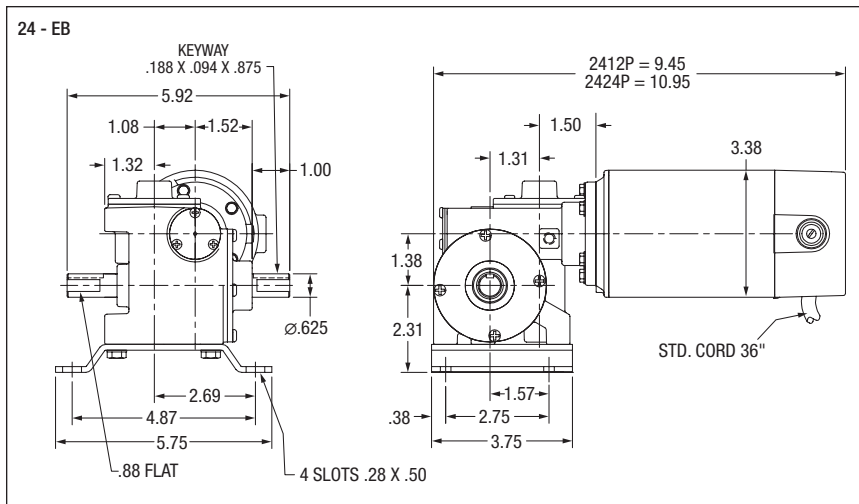
GP7409 Shown
EB Style

Applications: Conveyors, medical and laboratory equipment, printing presses, commercial ovens, machine tools and other applications requiring adjustable speed.

Features: DCPM motor provides exceptional starting torque, adjustable speed, and predictable operating conditions. High strength bronze gearing for increased torque capacity. High performance low friction, bidirectional motor seals. Permanently lubricated with synthetic grease lubrication, can be mounted in all positions including vertical motor below gearhead.

Input Motor Hp	Output Base Speed	Gear Ratio	Max. Safe Torque In. Lbs.	Catalog Number	List Price	Mult. Sym.	Ap'x. Shpg. Wgt.	Motor Type & Gear Style	Voltage D.C. Armature	Full Load Amperage Armature	Notes (a)
90 VDC											
1/8	6	600:1	150	GP7304	889	DS	13	2412P-EB	90	1.00	20
1/4	20	180:1	175	GP7409	848	DS	15	2424P-EB	90	2.00	20
180 VDC											
1/4	20	180:1	175	GP7429	875	DS	15	2424P-EB	180	1.00	20

(a) See notes on inside back flap.





GP24280 Shown
G Style

Applications: Conveyors, medical and laboratory equipment, printing presses, commercial ovens, machine tools and other applications requiring adjustable speed.

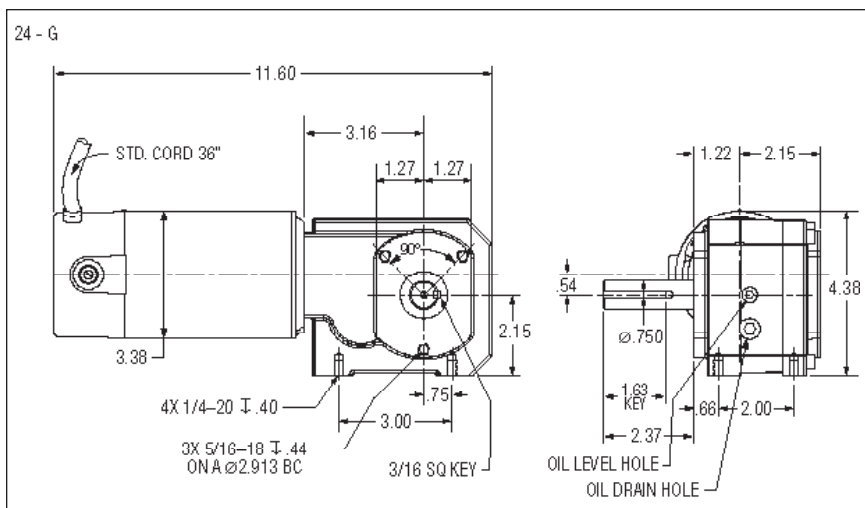
Features: Bronze and hardened steel worm gear first stage, hardened steel helical output stage for improved overall efficiency and dependable torque transmission. Completely sealed from the environment and pre-lubricated with synthetic oil, it can be put into immediate service and does not require periodic oil changes. G gear style can be face mounted on the output shaft side, or from the bottom of the gear housing.

Input Motor Hp	Output Base Speed	Gear Ratio	Max. Safe Torque In. Lbs.	Catalog Number ^(a)	List Price	Mult. Sym.	Ap'x. Shpg. Wgt.	Motor Type & Gear Style	Voltage D.C. Armature	Full Load Amperage Armature	Notes ^(b)
90 VDC											
1/8	6.2	280:1	400	GP24280	965	DS	16	2424P-G	90	1.80	20
	9.1	190:1	385	GP24190	965	DS	15	2424P-G	90	1.80	20
	14	120:1	280	GP24120	965	DS	16	2424P-G	90	1.80	20
	29	60:1	163	GP24060	965	DS	16	2424P-G	90	1.80	20

^(a) Vertical motor below gearhead not recommended.

Avoiding those positions where the high speed oil seal is immersed in oil, will provide greater security against high speed input seal wear.

^(b) See notes on inside back flap.





GP13530 Shown
K Style

Applications: Conveyors, medical and laboratory equipment, printing presses, commercial ovens, machine tools and other applications requiring adjustable speed.

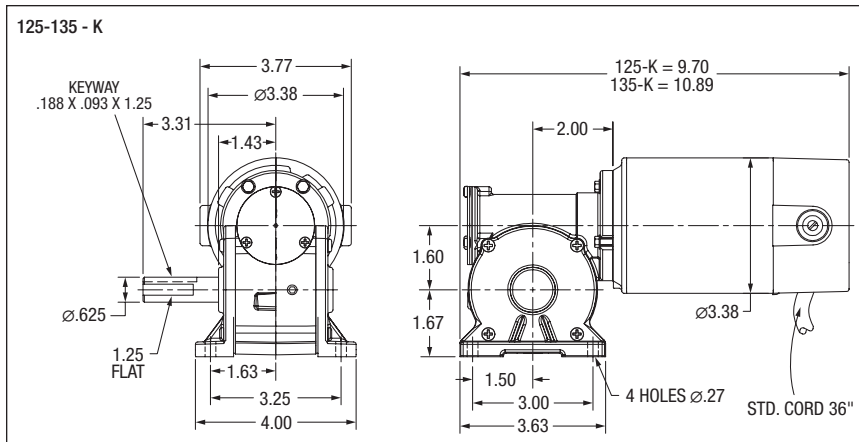
Features: DCPM motor provides exceptional starting torque, adjustable speed, and predictable operating conditions. Ball bearing on output for smooth torque transmission and increased radial load capacity. High strength bronze gearing, hardened and ground worm for quiet operation. High performance low friction, bi-directional motor seals. Permanently lubricated with synthetic oil. Internal oil expansion chamber allows for all position mounting without relocating a breather vent.

Input Motor Hp	Output Base Speed	Gear Ratio	Max. Safe Torque In. Lbs.	Catalog (a) Number	List Price	Mult. Sym.	Ap'x. Shpg. Wgt.	Motor Type & Gear Style	Voltage D.C. Armature	Full Load Amperage Armature	Notes (b)
90 VDC											
1/12	43	40:1	73	GP12511	690	DS	10	125-K	90	0.90	20
	86	20:1	39	GP12512	690	DS	10	125-K	90	0.90	20
	173	10:1	22	GP12514	690	DS	10	125-K	90	0.90	20
	346	5:1	10	GP12516	690	DS	10	125-K	90	0.90	20
1/6	43	40:1	135	GP13530	725	DS	13	135-K	90	1.73	20
	57	30:1	111	GP13531	725	DS	13	135-K	90	1.73	20
	88	20:1	88	GP13532	725	DS	13	135-K	90	1.73	20
	173	10:1	48	GP13533	725	DS	13	135-K	90	1.73	20
	346	5:1	24	GP13536	725	DS	13	135-K	90	1.73	20

(a) Vertical motor below gearhead not recommended.

Avoiding those positions where the high speed oil seal is immersed in oil, will provide greater security against high speed input seal wear.

(b) See notes on inside back flap.





GP231004 Shown
CB Style

Applications: Conveyors, medical and laboratory equipment, printing presses, commercial ovens, machine tools and other applications requiring adjustable speed.

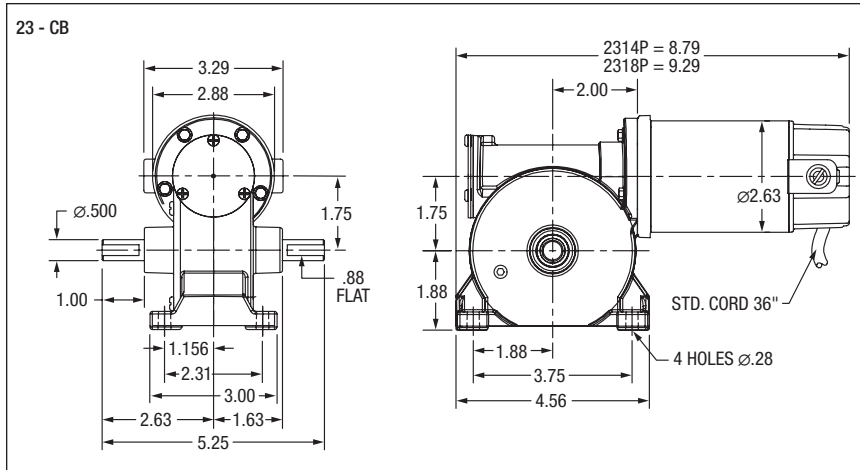
Features: DCPM motor provides exceptional starting torque, adjustable speed, and predictable performance over a wide range of operating conditions. Permaglide sleeve bearing on output for smooth torque transmission. High strength bronze gearing, hardened and ground worm for quiet operation. High performance low friction, bidirectional motor seals. Permanently lubricated with synthetic oil. Internal oil expansion chamber allows for all position mounting without relocating a breather vent.

Input Motor Hp	Output Base Speed	Gear Ratio	Max. Safe Torque In. Lbs.	Catalog Number ^(a)	List Price	Mult. Sym.	Ap'x. Shpg. Wgt.	Motor Type & Gear Style	Voltage D.C. Armature	Full Load Amperage Armature	Notes ^(b)
90 VDC											
1/25	22	72:1	45	GP231004	542	DS	8	2314P-CB	90	0.53	20
	30	58:1	38	GP232003	542	DS	8	2314P-CB	90	0.53	20
1/16	38	45:1	57	GP233006	561	DS	8	2318P-CB	90	0.80	20
	52	33:1	48	GP233005	561	DS	8	2318P-CB	90	0.75	20
	76	22.5:1	33	GP233004	561	DS	8	2318P-CB	90	0.85	20
180 VDC											
1/16	41	45:1	57	GP233026	561	DS	8	2318P-CB	180	0.42	20
	53	33:1	48	GP233025	561	DS	8	2318P-CB	180	0.40	20
1/14	76	22.5:1	76	GP233024	561	DS	8	2318P-CB	180	0.42	20

^(a) Vertical motor below gearhead not recommended.

Avoiding those positions where the high speed oil seal is immersed in oil, will provide greater security against high speed input seal wear.

^(b) See notes on inside back flap.





GP7404 Shown
JK Style

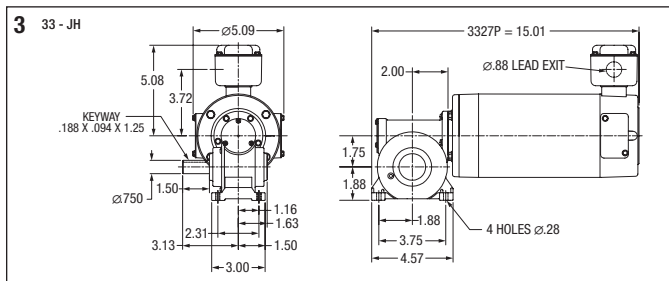
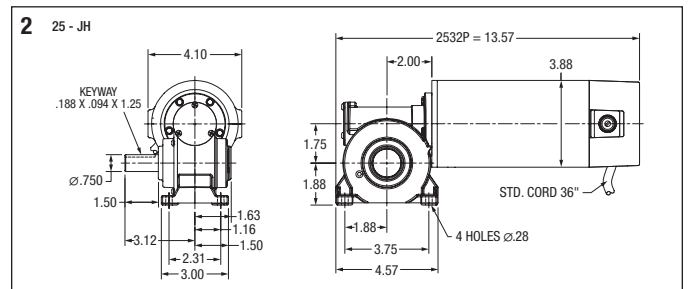
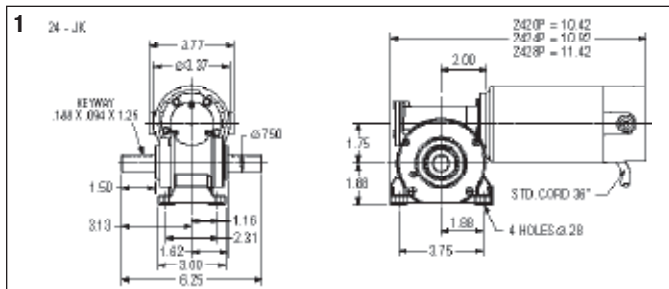
Applications: Conveyors, medical and laboratory equipment, printing presses, commercial ovens, machine tools and other applications requiring adjustable speed.

Features: DCPM motor provides exceptional starting torque, adjustable speed, and predictable operating conditions. Ball bearing on output for smooth torque transmission and increased radial load capacity High strength bronze gearing, hardened and ground worm for quiet operation. High performance low friction, bidirectional motor seals. Factory lubricated with synthetic oil. Internal oil expansion chamber allows for all position mounting without relocating a breather vent.

Input Motor Hp	Output Base Speed	Gear Ratio	Max. Safe Torque In. Lbs.	Catalog Number ^(a)	List Price	Mult. Sym.	Ap'x. Shpg. Wgt.	Motor Type & Gear Style	Voltage D.C. Armature	Full Load Amperage Armature	Notes ^(b)	Drawing Number
90 VDC												
1/8	30	58:1	120	GP7404	770	DS	14	2424P-JK	90	1.30	20	1
	38	45:1	100	GP7403	770	DS	14	2424P-JK	90	1.30	20	1
	52	33:1	75	GP7402	770	DS	14	2424P-JK	90	1.30	20	1
	75	22.5:1	60	GP7401	770	DS	14	2424P-JK	90	1.30	20	1
1/5	173	11:1	32	GP7400	770	DS	14	2424P-JK	90	1.30	20	1
	50	45:1	120	GP7408	770	DS	14	2428P-JK	90	2.20	20	1
1/4	68	33:1	112	GP7405	770	DS	14	2428P-JK	90	2.40	20	1
	76	45:1	100	GP7407	770	DS	14	2428P-JK	90	2.60	20	1
	104	33:1	75	GP7406	770	DS	14	2428P-JK	90	2.60	20	1
	314	8:1	32	GP7413	770	DS	14	2428P-JK	90	2.60	20	1
1/3	48	50:1	150	GP2507	944	DS	21	2532P-JH	90	3.36	20	2
	62	40:1	137	GP2506	944	DS	21	2532P-JH	90	3.36	20	2
	123	20:1	95	GP2503	944	DS	21	2532P-JH	90	3.36	20	2
	245	10:1	65	GP2501	944	DS	21	2532P-JH	90	3.36	20	2
1/2	50	50:1	234	GP3307	1,096	DS	30	3327P-JH	90	5.00	20	3
	63	40:1	215	GP3306	1,096	DS	30	3327P-JH	90	5.00	20	3
	125	20:1	145	GP3303	1,096	DS	30	3327P-JH	90	5.00	20	3
	250	10:1	100	GP3301	1,096	DS	30	3327P-JH	90	5.00	20	3
180 VDC												
1/8	30	58:1	120	GP7424	770	DS	14	2420P-JK	180	0.64	20	1
	38	45:1	100	GP7423	770	DS	14	2420P-JK	180	0.64	20	1
	52	33:1	75	GP7422	770	DS	14	2420P-JK	180	0.64	20	1
	78	22.5:1	60	GP7421	770	DS	14	2420P-JK	180	0.64	20	1
1/5	173	11:1	32	GP7420	770	DS	14	2420P-JK	180	0.65	20	1
	50	45:1	120	GP7428	770	DS	14	2428P-JK	180	1.10	20	1
1/4	68	45:1	135	GP7425	770	DS	14	2428P-JK	180	1.30	20	1
	76	45:1	100	GP7427	770	DS	14	2428P-JK	180	1.30	20	1
	104	33:1	75	GP7426	770	DS	14	2428P-JK	180	1.30	20	1
	314	11:1	32	GP7433	770	DS	14	2428P-JK	180	1.30	20	1

(a) Vertical motor below gearhead not recommended. Avoiding those positions where the high speed oil seal is immersed in oil, will provide greater security against high speed input seal wear.

(b) See notes on inside back flap.





GPF13517 Shown
JAF Style

Applications: Conveyors, medical and laboratory equipment, printing presses, commercial ovens, machine tools and other applications requiring adjustable speed.

Features: DCPM motor provides exceptional starting torque, adjustable speed, and predictable operating conditions. Ball bearing on output for smooth torque transmission and increased radial load capacity. High strength bronze gearing, hardened and ground worm for quiet operation. High performance low friction, bi-directional motor seals. Factory lubricated with synthetic oil. Internal oil expansion chamber allows for all position mounting without relocating a breather vent.

Input Motor Hp	Output Base Speed	Gear Ratio	Max. Safe Torque In. Lbs.	Catalog Number ^(a)	List Price	Mult. Sym.	Ap'x. Shpg. Wgt.	Motor Type & Gear Style	Voltage D.C. Armature	Full Load Amperage Armature	Notes ^(b)
90 VDC											
1/4	312	8:1	38.0	GPF13514	799	DS	15	2428P-JAF	90	2.5	20
	167	15:1	69.0	GPF13515	799	DS	15	2428P-JAF	90	2.5	20
	111	22.5:1	96.0	GPF13516	799	DS	15	2428P-JAF	90	2.6	20
	76	33:1	110.0	GPF13517	799	DS	15	2428P-JAF	90	2.2	20
180 VDC											
1/5	167	15:1	55.0	GPF13530	799	DS	15	135-JAF	180	1.0	20
	76	33:1	88.0	GPF13532	799	DS	15	135-JAF	180	1.0	20

(a) Vertical motor below gearhead not recommended.

Avoiding those positions where the high speed oil seal is immersed in oil, will provide greater security against high speed input seal wear.

(b) See notes on inside back flap.

