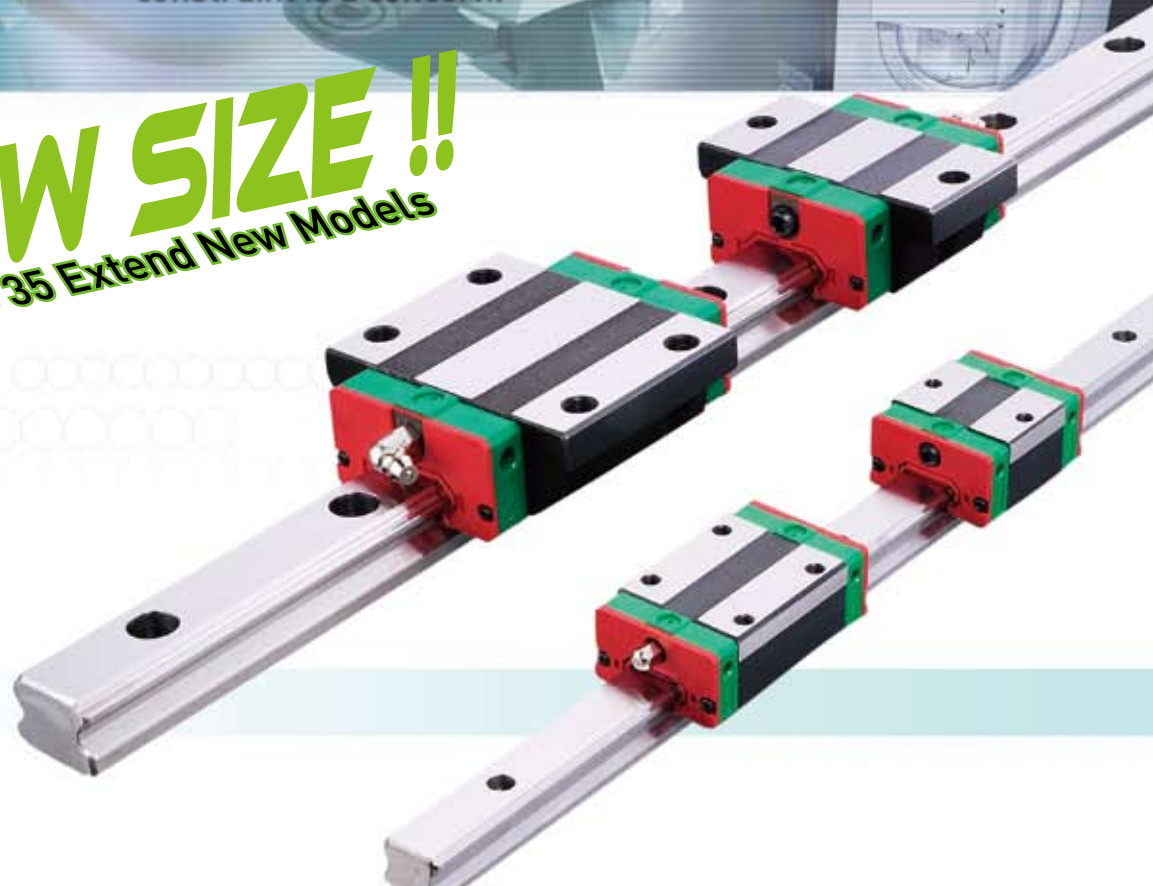


# Low Profile Ball Type Linear Guideway **EG** Series

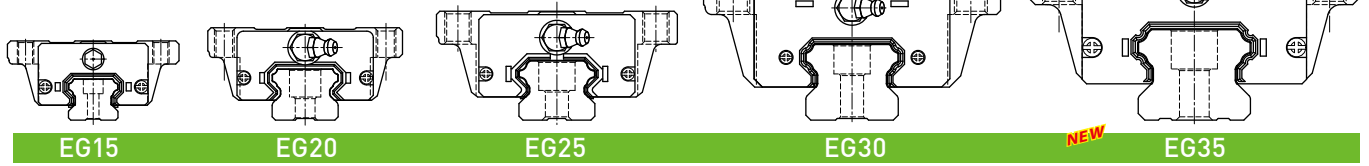
The four-row EG series is designed to offer high load capacity and high rigidity. It features equal load ratings in all four directions, and self-aligning capability to absorb installation error without sacrificing accuracy.

The lower assembly height and shorter length makes the EG series perfect for high speed automation equipment and other applications where space constraint is a concern.

**NEW SIZE !!**  
EG 35 Extend New Models



## EG Series Extend New Models



## EG Series

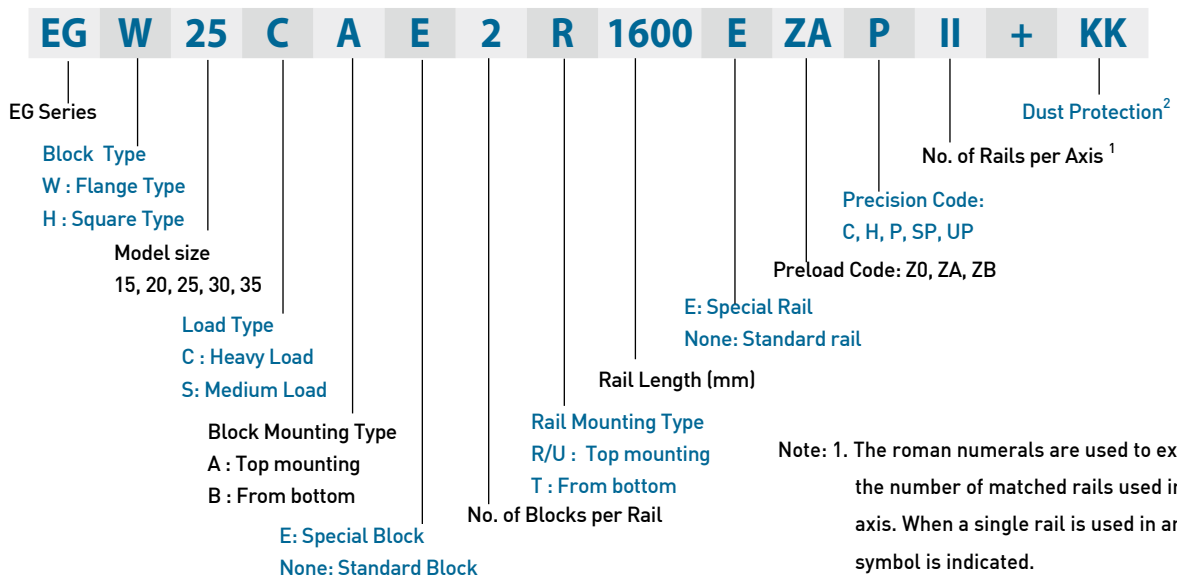
HIWIN offers two types of linear guideways, flanged and square types.

Type	Model	Shape	Height (mm)	Rail Length (mm)
Square	EGH-SA EGH-CA		24	100
			↓	↓
Flange	EGW-SA EGW-CA		48	4000
			↓	↓
	EGW-SB EGW-CB		24	100
			↓	↓
			48	4000

### Applications

- Automation devices
- High-speed transportation equipment
- Precision measuring equipment
- Semiconductor manufacturing equipment
- Woodworking machinery

## Model Number of EG Series



Note: 1. The roman numerals are used to express the number of matched rails used in one axis. When a single rail is used in an axis, no symbol is indicated.

2. No symbol indicates standard protection (end seal and bottom seal).

ZZ : End seal, bottom seal and scraper  
 KK : Double seals, bottom seal and scraper.  
 DD : Double seals and bottom seal

## Preload

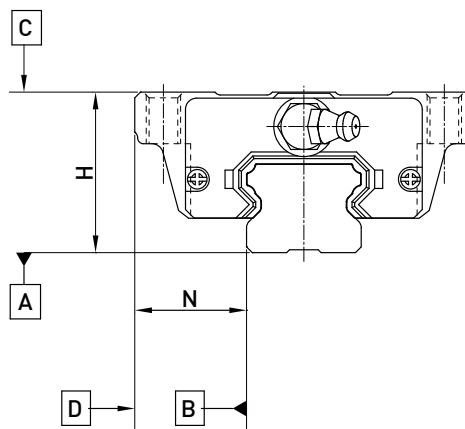
Class	Code	Preload	Condition
Light Clearance	Z0	0~ 0.02C	Certain load direction, low impact, low precision required
Light Preload	ZA	0.03~0.05C	low load and high precision required
Medium Preload	ZB	0.06C~ 0.08C	High rigidity required, with vibration and impact

Note: The “C” in the preload column denotes basic dynamic load rating.

## Accuracy of Running Parallelism

Rail Length (mm)	Accuracy (μm)				
	C	H	P	SP	UP
~ 100	12	7	3	2	2
100 ~ 200	14	9	4	2	2
200 ~ 300	15	10	5	3	2
300 ~ 500	17	12	6	3	2
500 ~ 700	20	13	7	4	2
700 ~ 900	22	15	8	5	3
900 ~ 1,100	24	16	9	6	3
1,100 ~ 1,500	26	18	11	7	4
1,500 ~ 1,900	28	20	13	8	4
1,900 ~ 2,500	31	22	15	10	5
2,500 ~ 3,100	33	25	18	11	6
3,100 ~ 3,600	36	27	20	14	7
3,600 ~ 4,000	37	28	21	15	7

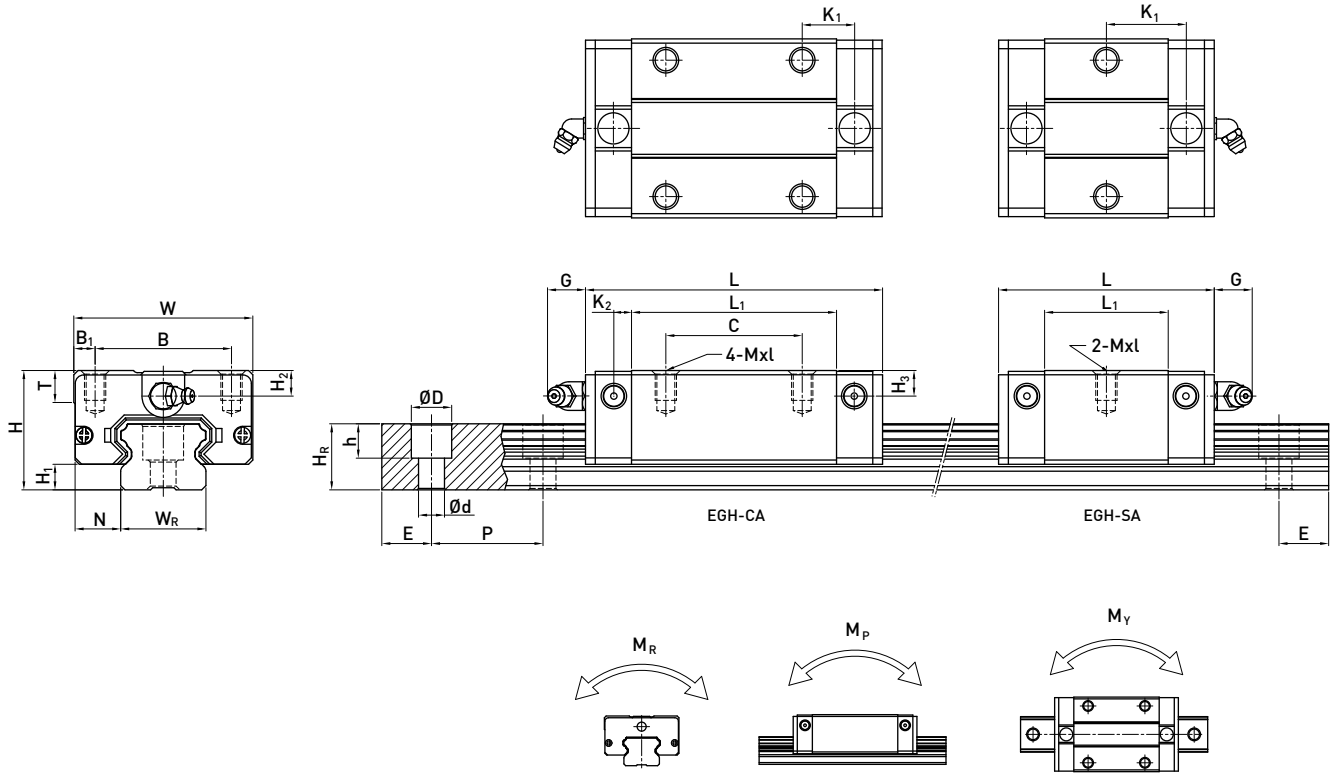
## Accuracy Classes



Unit: mm

Item	EG - 15, 20					EG - 25, 30, 35				
	Normal (C)	High (H)	Precision (P)	Super Precision (SP)	Ultra Precision (UP)	Normal (C)	High (H)	Precision (P)	Super Precision (SP)	Ultra Precision (UP)
Dimensional tolerance of height H	± 0.1	± 0.03	0 -0.03	0 -0.015	0 -0.008	± 0.1	± 0.04	0 -0.04	0 -0.02	0 -0.01
Dimensional tolerance of width N	± 0.1	± 0.03	0 -0.03	0 -0.015	0 -0.008	± 0.1	± 0.04	0 -0.04	0 -0.02	0 -0.01
Variation of height H	0.02	0.01	0.006	0.004	0.003	0.02	0.015	0.007	0.005	0.003
Variation of width N	0.02	0.01	0.006	0.004	0.003	0.03	0.015	0.007	0.005	0.003
Running parallelism of block surface C to surface A	Running Parallelism					Running Parallelism				
Running parallelism of block surface D to surface B	Running Parallelism					Running Parallelism				

## Dimensions for EGH-SA / EGH-CA

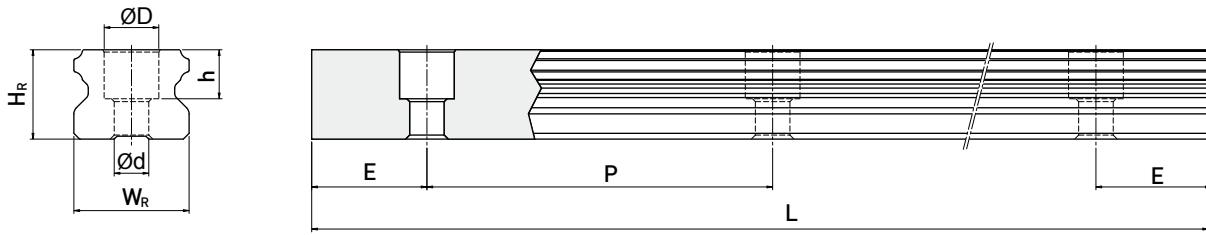


Model No.	Dimensions of Assembly (mm)			Dimensions of Block (mm)											Dimensions of Rail (mm)						Mounting Bolt for Rail (mm)	Basic Dynamic Load Rating C (kN)	Basic Static Load Rating C <sub>0</sub> (kN)	Static Rated Moment			Weight							
	H	H <sub>1</sub>	N	W	B	B <sub>1</sub>	C	L <sub>1</sub>	L	K <sub>1</sub>	K <sub>2</sub>	G	Mxl	T	H <sub>2</sub>	H <sub>3</sub>	W <sub>R</sub>	H <sub>R</sub>	D	h				d	P	E	M <sub>R</sub> (kN-m)	M <sub>P</sub> (kN-m)	M <sub>Y</sub> (kN-m)	Block (kg)	Rail (kg/m)			
EGH15SA	24	4.5	9.5	34	26	4	-	23.1	40.1	14.8																	5.35	9.40	0.08	0.04	0.04	0.09		1.25
EGH15CA							26	39.8	56.8	10.15																	7.83	16.19	0.13	0.10	0.10	0.15		
EGH20SA	28	6	11	42	32	5	-	29	50	18.75																	7.23	12.74	0.13	0.06	0.06	0.15		2.08
EGH20CA							32	48.1	69.1	12.3																	10.31	21.13	0.22	0.16	0.16	0.24		
EGH25SA	33	7	12.5	48	35	6.5	-	35.5	59.1	21.9																	11.40	19.50	0.23	0.12	0.12	0.25		2.67
EGH25CA							35	59	82.6	16.15																	16.27	32.40	0.38	0.32	0.32	0.41		
EGH30SA	42	10	16	60	40	10	-	41.5	69.5	26.75																	16.42	28.10	0.40	0.21	0.21	0.45		4.35
EGH30CA							40	70.1	98.1	21.05																	23.70	47.46	0.68	0.55	0.55	0.76		
* EGH35SA	48	11	18	70	50	10	-	45	75	28.5																	22.66	37.38	0.56	0.31	0.31	0.66		6.14
* EGH35CA	48	11	18	70	50	10	50	78	108	20																	33.35	64.84	0.98	0.69	0.69	1.13		6.14



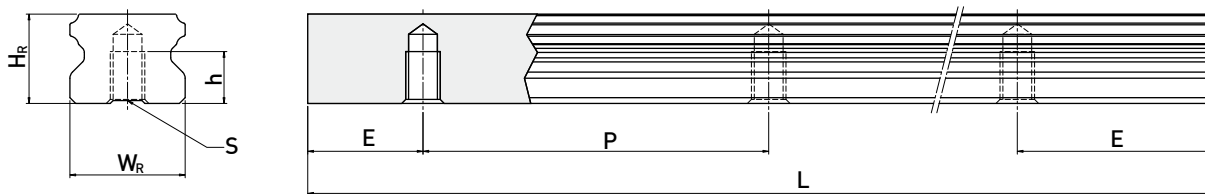


## Dimensions for EGR-U (large mounting hole, rail mounting from top)



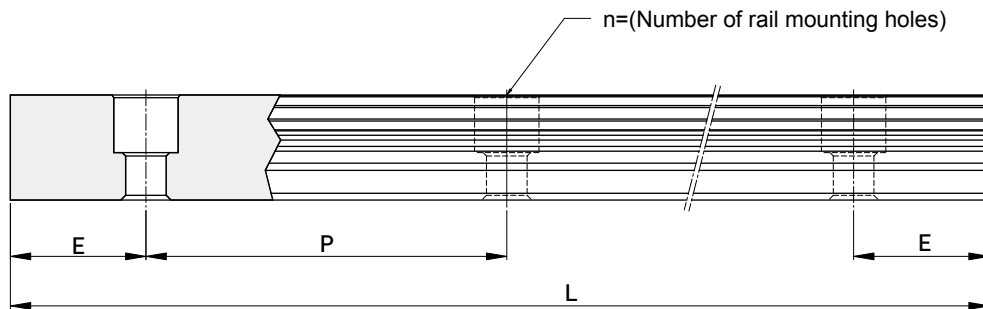
Model No.	Mounting Bolt for Rail(mm)	Dimensions of Rail (mm)							Weight
		$W_R$	$H_R$	D	h	d	P	E	[kg/m]
EGR15U	M4x16	15	12.5	7.5	5.3	4.5	60	20	1.23
EGR30U	M8x25	28	23	14	12	9	80	20	4.23

## Dimensions for EGR-T (rail mounting from bottom)



Model No.	Dimensions of Rail (mm)						Weight
	$W_R$	$H_R$	S	h	P	E	[kg/m]
EGR15T	15	12.5	M5 x 0.8P	7	60	20	1.26
EGR20T	20	15.5	M6 x 1P	9	60	20	2.15
EGR25T	23	18	M6 x 1P	10	60	20	2.79
EGR30T	28	23	M8 x 1.25P	14	80	20	4.42
<b>NEW</b> *EGR35T	34	27.5	M8 x 1.25P	17	80	20	6.34

# Standard and Maximum Lengths of Rail



**Rail Standard Length and Max. Length**

unit: mm

Item	EGR15	EGR20	EGR25	EGR30	EGR35
Standard Length L(n)	160(3)	220(4)	220(4)	280(4)	280(4)
	220(4)	280(5)	280(5)	440(6)	440(6)
	280(5)	340(6)	340(6)	600(8)	600(8)
	340(6)	460(8)	460(8)	760(10)	760(10)
	460(8)	640(11)	640(11)	1,000(13)	1,000(13)
	640(11)	820(14)	820(14)	1,640(21)	1,640(21)
	820(14)	1,000(17)	1,000(17)	2,040(26)	2,040(26)
		1,240(21)	1,240(21)	2,520(32)	2,520(32)
	1,600(27)	1,600(27)	3,000(38)	3,000(38)	
Pitch (P)	60	60	60	80	80
Distance to End [E <sub>s</sub> ]	20	20	20	20	20
Max. Standard Length	1960(33)	4,000(67)	4,000(67)	3,960(50)	3,960(50)
Max. Length	2000	4,000	4,000	4,000	4,000

- Note :
1. Tolerance of E value for standard rail is 0.5--0.5 mm. Tolerance of E value for jointed rail is 0--0.3 mm.
  2. Maximum standard length means the max. rail length with standard E value on both sides.
  3. If different E value is needed, please contact HIWIN.

\*The specifications in this catalog are subject to change without notification.

**HIWIN**  
Linear Motion Products & Technology



**HIWIN TECHNOLOGIES CORP.**  
No. 46, 37th Road  
Taichung Industrial Park  
Taichung 40707, TAIWAN  
Tel: +886-4-23594510  
Fax: +886-4-23594420  
www.hiwin.com.tw  
business@mail.hiwin.com.tw

**HIWIN USA**  
•CHICAGO  
1400 Madeline Lane  
Elgin, IL. 60124, USA  
Tel: +1-847-8272270  
Fax: +1-847-8272291  
www.hiwin.com  
info@hiwin.com  
•SILICON VALLEY  
Tel: +1-510-4380871  
Fax: +1-510-4380873

**HIWIN GmbH**  
Brücklesbünd 2, D-77654  
Offenburg, GERMANY  
Tel: +49-781-93278-0  
Fax: +49-781-93278-90  
www.hiwin.de  
www.hiwin.eu  
info@hiwin.de

**HIWIN SCHWEIZ**  
Schachenstrasse 80  
CH-8645 Jona, SWITZERLAND  
Tel: +41-55-2250025  
Fax: +41-55-2250020  
www.hiwin.ch  
info@hiwin.ch

**HIWIN S.R.O.**  
Kastanova 34  
CZ 62000 Brno,  
CZECH REPUBLIC  
Tel: +420-548-528238  
Fax: +420-548-220233  
www.hiwin.cz  
info@hiwin.cz

**HIWIN JAPAN**  
•KOBE  
3F. Sannomiya-Chuo Bldg.  
4-2-20 Goko-Dori, Chuo-Ku  
KOBE 651-0087, JAPAN  
Tel: +81-78-2625413  
Fax: +81-78-2625686  
www.hiwin.co.jp  
info@hiwin.co.jp

**HIWIN FRANCE**  
Route de Bretoncelles  
F-61110 Dorceau  
Tel: +33-2-33852266  
Fax: +33-2-33253235  
www.hiwin.fr