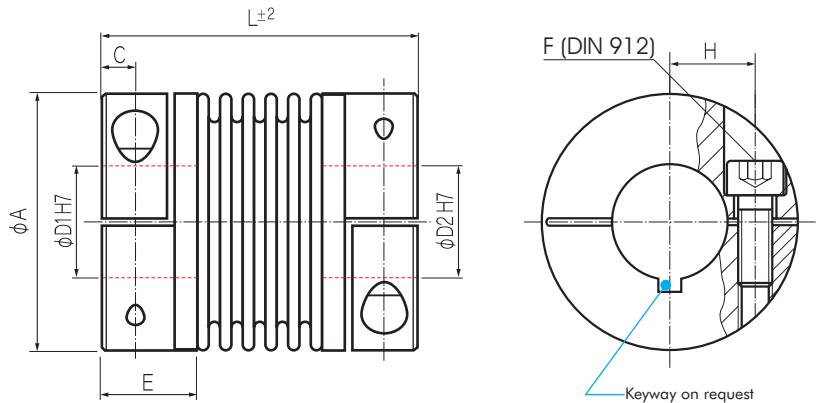


Metal Bellows Coupling



Order Code: KB 4 / 60 - 89 - 12 - 32 - S

Type / Size Length Ø D1 (H7) Ø D2 (H7) Options

	Torque T _{KN} (Nm)	Dimensions (mm)							Technical Ratings								
		L Length (±2)	Ø A Outer Ø	D1/D2 Bore Sizes (H7)	H	C	E	F Screw (DIN 912) T _A (Nm)	Mass (kg)	Moment of Inertia J (kg m ²)	Spring Stiffness			Misalignment			max Speed rpm
											torsional C _T (Nm/rad)	radial C _R (N/mm)	axial C _A (N/mm)	radial ΔK _r (mm)	axial ΔK _a (mm)	angular ΔK _w (°)	
KB4/18	18	63	45	10-25.4	17	5.5	19.5	M5	0.1	0.04	20	205	50	0.2	0.5	1.5	12800
		71						8	0.15	0.05	15	82	36	0.25	0.5	2	12800
KB4/30	30	65	56	10-30	20	7.5	24.5	M6	0.3	0.15	38	720	50	0.15	0.6	1.5	10300
		73						15	0.32	0.16	28	225	28	0.25	1	2	10300
KB4/60	60	79	66	12-32	23	10	29	M8	0.5	0.33	75	1150	90	0.15	0.6	1.5	8700
		89						40	0.6	0.36	50	340	50	0.25	1	2	8700
KB4/80	80	91	82	14-42	28	11	33.5	M10	2.3	2	128	1200	80	0.2	0.5	1.5	6900
		102						72	2.4	2.1	75	400	50	0.25	0.8	2	6900
KB4/150	150	91	82	19-42	28	11	33.5	M10	2.3	2	155	2020	145	0.2	0.5	1.5	6900
		102						84	2.4	2.1	105	595	85	0.25	0.5	2	6900
KB4/200	200	101	90	22-45	31	13	38	M12	2.6	3.3	175	2500	145	0.2	0.5	1.5	6400
		113						125	2.7	3.5	120	460	82	0.25	0.8	2	6400
KB4/300	300	105	110	30-60	39	13	38	M12	3.6	7.3	502	6300	280	0.2	0.5	1.5	6000
		116						145	3.7	7.5	285	1400	145	0.25	0.8	2	6000
KB4/500	500	112	122	35-65	42	15	42	M12	5.1	12.4	690	7790	100	0.2	0.5	1.5	5000
		123						145	5.2	12.7	320	970	85	0.25	1	2	5000

Material: Bellows - Stainless Steel
 Hub (KB4/18, KB4/30, KB4/60) Aluminium (also available in Stainless Steel)
 Hub (KB4/80, KB4/150, KB4/200, KB4/300, KB4/500) Steel (also available in Stainless Steel)

Temperature Range: -30° ~ 120° C