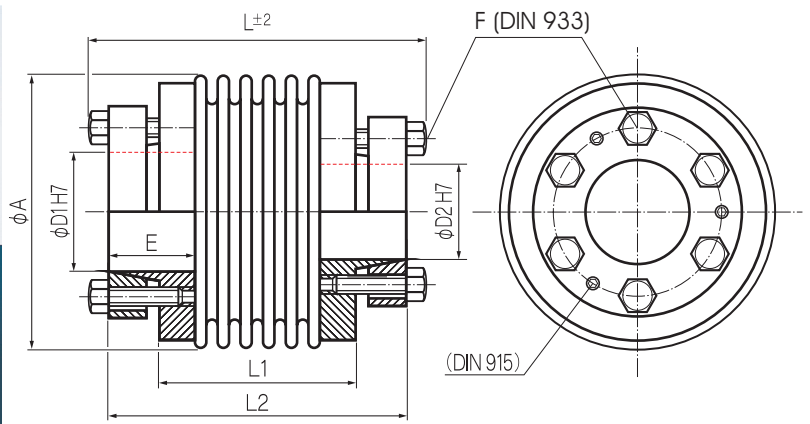


Metal Bellows Coupling



Order Code: KB 6 / 60 - 78 - 20 - 32 - S
 Type / Size Length Ø D1 (H7) Ø D2 (H7) Options

	Torque T _{KN} (Nm)	Dimensions (mm)							Technical Ratings							
		L	Ø A	D1/D2	E	L1	L2	F	Mass (kg)	Moment of Inertia J (kg m ²)	Spring Stiffness			Misalignment		
		Length (±2)	Outer Ø	Bore Size (H7)	Hub Length			Screw (DIN 933) T _A (Nm)			torsional C _T (Nm/rad)	radial C _R (N/mm)	axial C _A (N/mm)	radial ΔK _r (mm)	axial ΔK _a (mm)	angular ΔK _w (°)
KB6/18	18	65	47	8-15	16.5	37	58	4x M5	0.3	0.081	20	205	50	0.2	0.5	1.5
		73				45	66	5.9	0.31	0.084	15	82	36	0.25	0.5	2
KB6/30	30	60	56	12-20	18	31	53	6x M5	0.37	0.13	38	720	50	0.15	0.6	1.5
		68				39	61	5.9	0.39	0.14	28	225	25	0.25	1	2
KB6/60	60	78	66	15-32	25	36	71	6x M5	0.76	0.46	75	1150	90	0.15	0.6	1.5
		89				47	82	8.7	0.79	0.49	50	340	50	0.25	1	2
KB6/80	80	95	82	20-35	31	50	87	6x M6	1.57	1.37	128	1200	80	0.2	0.5	1.5
		107				62	99	15	1.62	1.43	75	400	50	0.25	1	2
KB6/150	150	95	82	20-35	31	50	87	6x M6	1.59	1.39	155	2020	145	0.2	0.5	1.5
		107				62	99	15	1.64	1.45	105	595	85	0.25	1	2
KB6/200	200	95	90	20-42	31	50	87	6x M6	1.6	1.64	175	2500	145	0.2	0.5	1.5
		108				63	100	15	1.67	1.74	120	460	82	0.25	1	2
KB6/300	300	108	110	25-50	34	57	98	6x M8	2.83	4.52	502	6300	280	0.2	0.5	1.5
		120				68	109	25	2.89	4.68	285	1400	145	0.25	1	2
KB6/500	500	122	122	35-55	41	59	112	6x M8	3.89	7.04	690	7790	100	0.2	0.5	1.5
		134				70	123	36	3.98	7.31	320	970	85	0.25	1	2
KB6/800	800	184	157	50-70	50	108	169	6x M12 85	8.87	24.9	760	500	185	0.2	0.8	1.8
KB6/1400	1400	184	157	50-70	50	108	169	6x M12 115	8.92	25.2	1270	700	275	0.2	0.8	1.8
KB6/3000	3000	220	157	55-75	60	146	204	6x M12 125	10.9	30.9	2810	2945	305	0.2	0.8	1.5
KB6/5000	5000	245	208	60-90	55	146	225	6x M16 210	27.7	144.4	4810	4915	505	0.2	0.8	1.5

Material: Bellows - Stainless Steel Hub - Steel (also available in Stainless Steel)

Temperature Range: -30° ~ 120° C