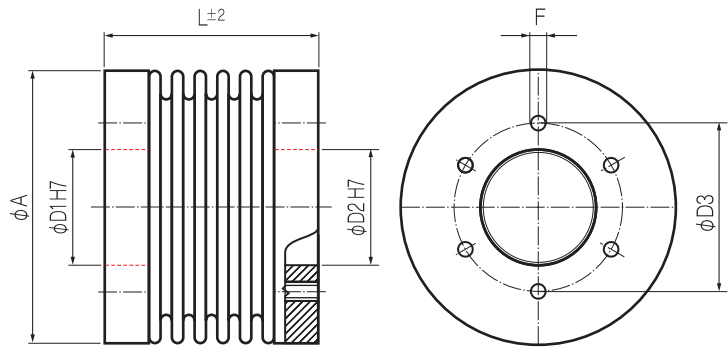
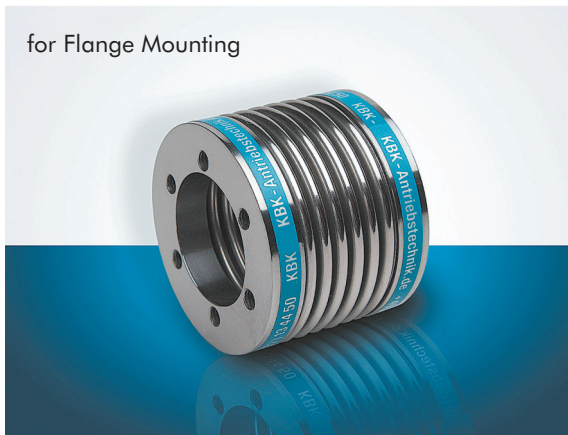


Metal Bellows Coupling



Order Code: KB 7 / 60 - 41 - 38 - S

Type / Size Length ØD1/ØD2 Options

	Torque T_{KN} (Nm)	Dimensions (mm)					Technical Ratings							
		L Length (±2)	Ø A Outer Ø	Ø D1/D2 Bore Size (H7)	Ø D3	F Thread	Mass (kg)	Moment of Inertia J (kg m ²)	Spring Stiffness			Misalignment		
									torsional C_T (Nm/rad)	radial C_R (N/mm)	axial C_A (N/mm)	radial ΔK_r (mm)	axial ΔK_a (mm)	angular ΔK_w (°)
KB7/18	18	36	47	22	31	M5	0.128	0.042	20	205	50	0.2	0.5	1.5
		44					0.137	0.045	15	82	36	0.25	0.5	2
KB7/30	30	30	56	28	37	M5	0.174	0.083	38	720	50	0.15	0.6	1.5
		38					0.192	0.093	28	225	25	0.25	1	2
KB7/60	60	41	66	38	46	M6	0.27	0.193	75	1150	90	0.15	0.6	1.5
		51					0.29	0.217	50	340	50	0.25	1	2
KB7/80	80	50	82	50	62	M6	0.65	0.742	128	1200	80	0.2	0.5	1.5
		62					0.69	0.805	75	400	50	0.25	1	2
KB7/150	150	50	82	50	62	M6	0.66	0.75	155	2020	145	0.2	0.5	1.5
		62					0.71	0.81	105	595	85	0.25	1	2
KB7/200	200	50	90	50	62	M6	0.72	0.894	175	2500	145	0.2	0.5	1.5
		63					0.78	0.989	120	460	82	0.25	1	2
KB7/300	300	55	110	65	80	M8	1.18	2.431	502	6300	280	0.2	0.5	1.5
		66					1.24	2.588	285	1400	145	0.25	1	2
KB7/500	500	61	122	70	94	M8	1.94	4.808	690	7790	100	0.2	0.5	1.5
		72					2.03	5.078	320	970	85	0.25	1	2
KB7/800	800	131	157	85	110	M16	3.28	11.207	760	500	185	0.2	0.8	1.75
KB7/1400	1400	131	157	85	110	M16	3.33	11.421	1270	700	275	0.2	0.8	1.75
KB7/3000	3000	131	157	85	110	M16	3.37	11.651	2810	2945	305	0.2	0.8	1.5
KB7/5000	5000	146	208	100	130	M16	11.46	65.517	4810	4915	505	0.2	0.8	1.5

Material: Bellows - Stainless Steel Hub - Steel (also available in Stainless Steel)

Temperature Range: -30° ~ 120° C