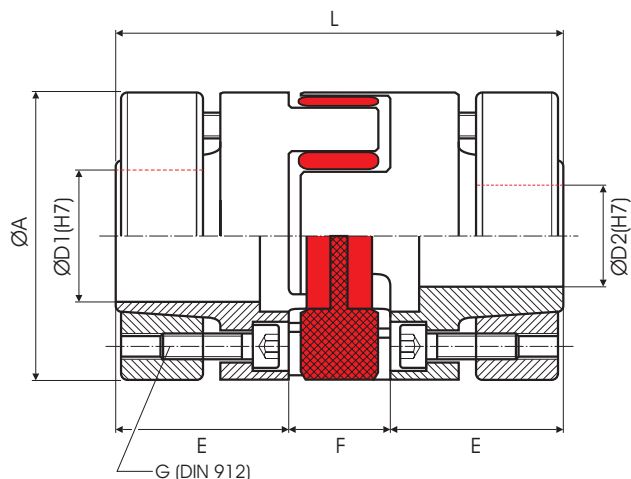


## Servo Insert Coupling



**Order Code: KBE 3 - 48 - 40H7 - 35H7 - S**  
 Type                      Size                      Bore D1 (H7)                      Bore D2 (H7)                      Options

	Dimensions (mm)							Technical Ratings			
	Ø A	L	Ø D1-D2	E	F	G	Maximum Speed rpm. (1/min)	Mass (per Hub) (kg)	Moment of Inertia J (kg mm <sup>2</sup> )	Torque (Nm)	
	Outer Ø	Total Length	Bore Sizes (H7) min ~ max			Screw (DIN 912)					Torque to Tighten Clamps T <sub>A</sub> (Nm)
<b>KBE 3 - 14</b>	30	50	8 - 14	19	13	M3	1.34	25000	0.05	7	12.5
<b>KBE 3 - 19</b>	40	66	10 - 19	25	16	M4	2.9	19000	0.12	31	17
<b>KBE 3 - 24</b>	55	78	19 - 25	30	18	M5	6	14000	0.28	135	60
<b>KBE 3 - 28</b>	65	90	19 - 38	35	20	M5	6	12000	0.45	313	160
<b>KBE 3 - 38</b>	80	114	24 - 38	45	24	M6	10	10000	0.95	960	325
<b>KBE 3 - 42</b>	95	126	28 - 50	50	26	M8	35	8000	2.3	3200	450
<b>KBE 3 - 48</b>	105	140	35 - 60	56	28	M8	35	7000	3.08	5200	525
<b>KBE 3 - 55</b>	120	160	40 - 65	65	30	M10	69	6000	4.67	15000	685
<b>KBE 3 - 65</b>	135	185	45 - 70	75	30	M12	120	5000	6.7	25000	940

### Transmissible Torque (Nm) of the Hubs

	Ø Bore (mm)																											
	6	10	11	14	15	16	19	20	24	25	28	30	32	35	38	40	42	45	48	50	55	60	65	70				
<b>KBE 3 - 14</b>	8.6	13.8	14.7	22.7																								
<b>KBE 3 - 19</b>		41	45	62	68	67	83	90																				
<b>KBE 3 - 24</b>			48	67	74	72	90	97	112	120	143																	
<b>KBE 3 - 28</b>					142	154	189	188	237	250	280	307	310	353	389													
<b>KBE 3 - 38</b>								269	337	356	398	436	424	501	533	572	585	644										
<b>KBE 3 - 42</b>									399	445	506	470	566	581	647	630	728	836	858									
<b>KBE 3 - 48</b>											775	819	955	999	1092	1091	1230	1381	1334	1540								
<b>KBE 3 - 55</b>														918	954	1052	1040	1185	1220	1318	1359	1646	1662	1960				
<b>KBE 3 - 65</b>																1568	1569	1768	1833	1968	2049	2438	2495	2898				

Material: Insert: Polyurethan 98 Sh A (red)  
 Hub: (KBE3-14, KBE3-19, KBE3-24, KBE3-28, KBE3-38) Aluminium  
 Hub: (KBE3-42, KBE3-48, KBE3-55, KBE3-65) Steel