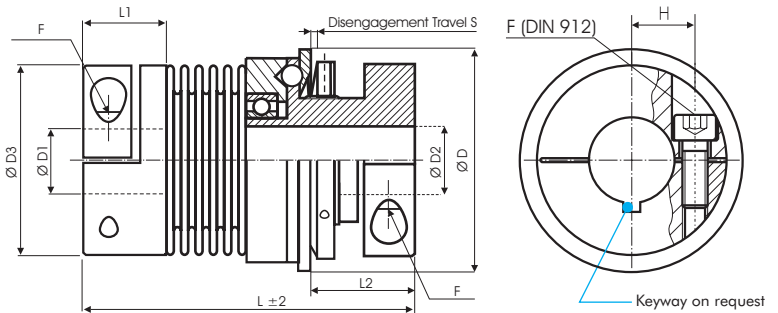


Safety Coupling



Order Code: KBK/BK - 60 - 105 - 16H7 - 14H7 - 20Nm - C or D - 1 - S

Type / Size Length Ø D2 (H7) Ø D2 (H7) Disengagement Torque Overload Torque Range Options

C = Single Position D = Multi Position Engagement

KBK/BK-x	Dimensions (mm)										Technical Ratings											
	Ø D	L	Ø D1	Ø D2	Ø D3	H	F	L1	L2	S	Maximum Speed rpm. (1/min)	Mass (kg)	Moment of Inertia J (kg cm ²)	Overload Torque adjustable			Spring Stiffness			Misalignment		
	Outer Ø	Length	Bore Size (H7) min max	Bore Size (H7) min max	Hub-diameter	Screw (DIN 912) T _A (Nm)								1 T _{KN} (Nm)	2 T _{KN} (Nm)	torsional x10 ³ C _T (Nm/rad)	radial C _R (N/mm)	axial C _A (N/mm)	radial ΔK _r (mm)	axial ΔK _a (mm)	angular ΔK _w (°)	
-7	49	65	6	6	40	15.5	M4	16	20	0.7	11690	0.25	0.7	1	3	8.1	120	27	0.15	0.4	1.5	
		75	25	19			5.1							4	7	6.8	29	17	0.3	0.6	2	
-10	49	65	6	6	40	15.5	M4	16	20	0.7	11690	0.25	0.7	3	5	8.1	120	27	0.15	0.4	1.5	
		75	25	19			5.1							7	10	6.8	29	17	0.3	0.6	2	
-30	64	85	10	10	56	20	M6	25	30.5	1.2	9540	0.7	3.2	5	10	38	720	50	0.15	0.6	1.5	
		94	25	20			15							15	30	28	225	28	0.25	1	2	
-60	79	105	14	14	66	23	M8	30	28	1.2	8180	1.4	8	12	20	75	1150	90	0.15	0.6	1.5	
		115	35	25			36							35	60	50	340	50	0.25	1	2	
-80	94	113	20	20	82	33.5	M10	33	42	2	6220	2.3	19	15	30	128	1200	80	0.2	0.5	1.5	
		125	40	35			72							40	80	75	400	50	0.25	0.8	2	
-150	94	113	20	20	82	33.5	M10	33	42	2	6220	2.4	30	65	155	2020	145	0.2	0.5	1.5		
		125	40	35			72							130	150	105	595	85	0.25	0.8	2	
-200	109	125	25	25	90	38	M12	38	42	2	5720	3	33	30	80	175	2500	147	0.2	0.5	1.5	
		138	42	32			125							90	200	116	460	82	0.25	0.8	2	
-300	119	140	32	32	110	38	M12	38	38	2	5200	5.3	65	60	100	502	6300	280	0.2	0.5	1.5	
		150	50	40			125							200	300	285	1400	145	0.25	0.8	2	
-500	129	158	40	35	122	42	M12	42	56	2	4470	6.2	130	80	200	690	7790	100	0.2	0.5	1.5	
		170	60	50			125							250	500	320	970	85	0.25	1	2	

Material: Bellows - Stainless Steel
 Hub (KBK/BK7, KBK/BK10, KBK/BK30, KBK/BK60) Aluminium
 Hub (KBK/BK80, KBK/BK150, KBK/BK200, KBK/BK300, KBK/BK500) Steel

Temperature Range: -30° ~ 120° C