

# ATEX-compliant geared motors



G-motion ATEX

G-motion ATEX



Lenze

Lenze

### **Our commitment to you**

If you are looking for effective and easy solutions for the implementation of your machine and drive concepts or want to optimise existing concepts and cut your costs, Lenze is your ideal partner.

We have more than 60 years' experience at the cutting edge of drive and automation technology.

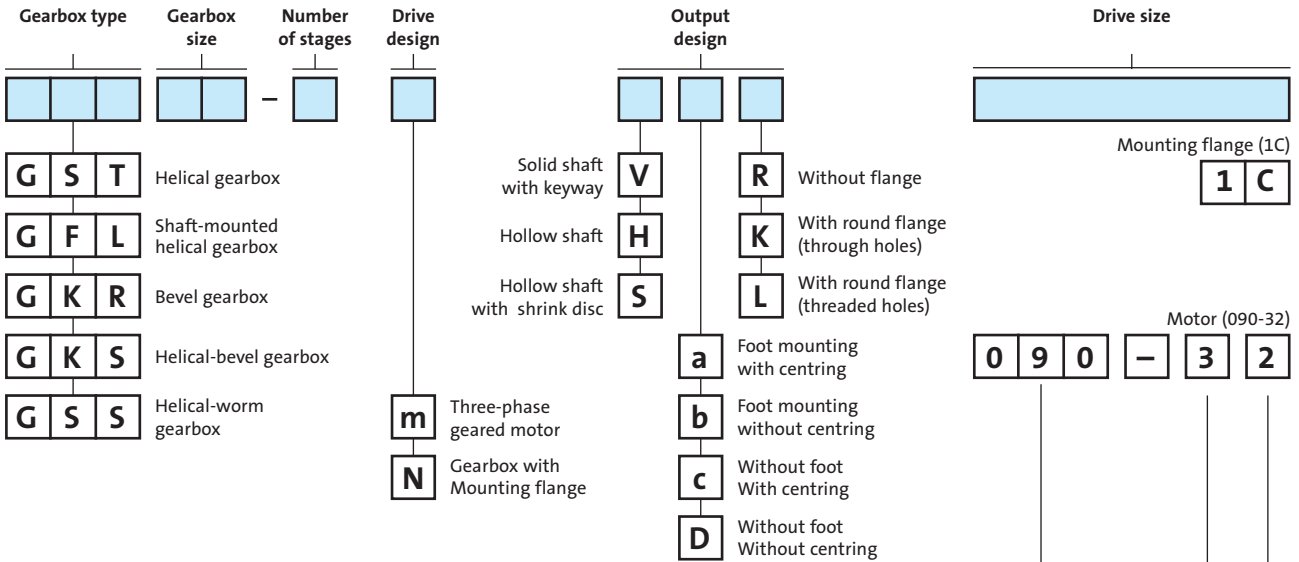


Drive and automation technology set in motion by Lenze – for example in logistics centres, in the textile and printing industry, in the automotive industry or as the driving force behind robots.

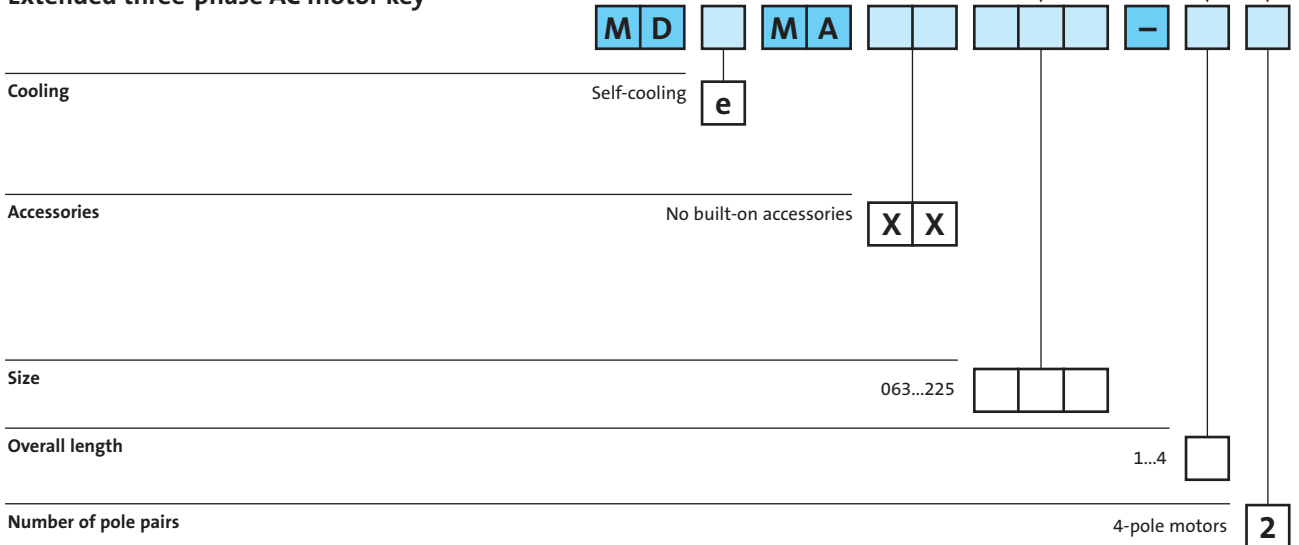
# Product key

## Geared motors

### Type designation



### Extended three-phase AC motor key



For notes on ordering, sample order and fax orders see Chapter 1.

## Mounting position (A-F) and position of system blocks (1-6)

<b>GST</b> Terminal box: 2, 3, 4, 5 Without terminal box: 0						
<b>a</b>	<b>b</b>	<b>c</b>	<b>D</b>	<b>e</b>	<b>F</b>	
<b>GFL</b> Solid shaft: 6 Hollow shaft: 0 Hollow shaft with shrink disc: 1, 6						
Foot: 3, 4 Without foot: 0		Terminal box: 2, 3, 4, 5 Without terminal box: 0				
<b>a</b>	<b>b</b>	<b>c</b>	<b>D</b>	<b>e</b>	<b>F</b>	
<b>GKR</b> Solid shaft: 3, 5, 8 (3+5) Hollow shaft: 0 Hollow shaft with shrink disc: 3, 5						
Flange: 3, 5, 8 (3+5) Without flange: 0		Terminal box: 2, 3, 4, 5 Without terminal box: 0				
<b>a</b>	<b>b</b>	<b>c</b>	<b>D</b>	<b>e</b>	<b>F</b>	
<b>GKS/GSS</b> Solid shaft: 3, 5, 8 (3+5) Hollow shaft: 0 Hollow shaft with shrink disc: 3, 5						
Flange: 3, 5, 8 (3+5) Without flange: 0		Terminal box: 2, 3, 4, 5 Without terminal box: 0				
<b>a</b>	<b>b</b>	<b>c</b>	<b>D</b>	<b>e</b>	<b>F</b>	

# Lenze | about us

We can offer you automation solutions, including control, visualisation and drive technology, from one source. Our drive systems will improve the performance of your machines. From project planning to commissioning, we have the know-how. Our international sales and service network can provide you with expert help and advice at any time.

Cut your process costs and increase your ability to compete. Let us analyse your drive technology tasks and support you with made-to-measure solutions.

We can take an integrated approach to projects thanks to the scalability of our products and the scope of the overall portfolio. We can get the best from your machines and systems.



At your side all over the world – with thorough and professional support from our motivated team.



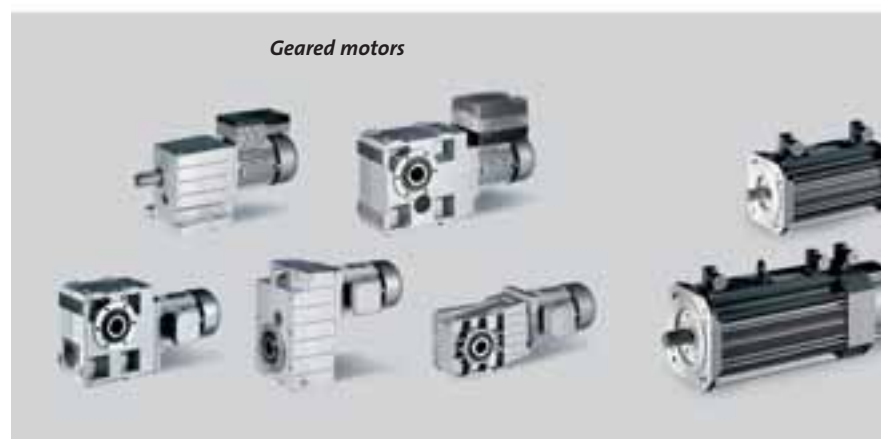
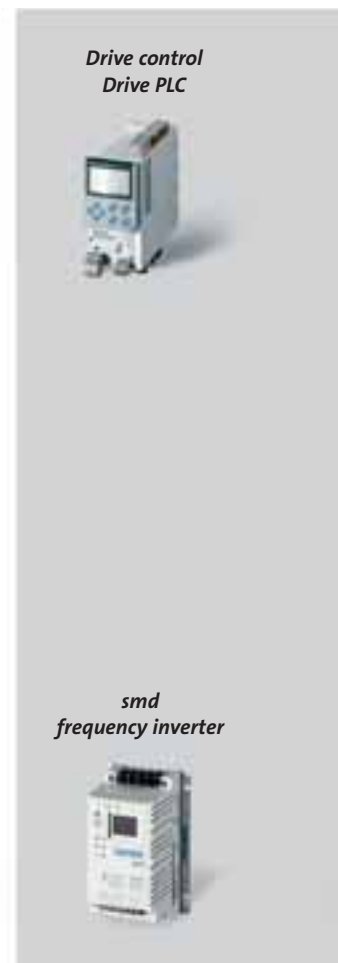
# A true system | Drive and automation technology

Products which are setting the pace in terms of technology and complete drive solutions for machine and system production - just what Lenze is all about. We provide our customers with frequency and servo inverters with powers up to 400 kW. We support both central control cabinet solutions and decentralised drive concepts, e.g. with motor inverters with IP65 type of protection.

Both standard three-phase AC motors and synchronous and asynchronous servo motors are available to complement the various controllers, all of which can be combined with various types of gearboxes. Human Machine Interfaces, decentralised I/O systems and modules for fieldbus interfacing are also available for exchanging information.

Lenze boasts extensive application know-how in all manner of industries. This knowledge has been applied in the design of the controller and PC software, providing an efficient means of implementing numerous standard applications using simple parameter settings.

An all-round service comprising component selection advice, training, commissioning support and even a helpline which can be accessed all over the world and independent system engineering completes the offer.



*9300 servo inverter*



*ECS servo system for multi-axis application*



*Communication modules*



*9300 vector frequency inverter*



*8200 vector frequency inverter*



*8200 motec motor inverter*



*starttec motor starter*



*Engineering Software*



*Runtime Software*



*Servo motors*



*Small drives*



*Brakes and clutches*



# Geared motors

## The range

### The G-motion range - a tried-and-tested and versatile range of geared motors covering all standard gearbox designs

The G-motion range of geared motors already comes with broad functionality as standard and is available with many useful options at the input and output ends, giving the user great versatility.

#### Gearbox types

The gearboxes are available as

- ▶ Helical gearboxes
- ▶ Shaft-mounted helical gearboxes
- ▶ Helical-bevel gearboxes
- ▶ Helical-worm gearboxes
- ▶ Servo planetary gearboxes

#### Speeds

The large range of gearbox ratios with close spacing makes it possible to closely match the actual drive features to the required process parameters.

#### Integrated three-phase AC motors

- ▶ 4-pole 0.06 to 45 kW
- ▶ 2-pole 0.18 to 9 kW
- ▶ 6-pole 0.18 to 0.55 kW
- ▶ Synchronous servo motors 0.25 to 10 kW
- ▶ Asynchronous servo motors 0.8 to 20.3 kW

### G-motion const/G-motion atex Geared motors and gearboxes with constant output speeds

- ▶ Power range 0.06 to 45 kW
- ▶ Torque range  $\leq 12000$  Nm



### G-motion motec Geared motors with integrated 8200 motec frequency inverter

- ▶ Power range 0.12 to 7.5 kW
- ▶ Torque range  $\leq 12000$  Nm





**G-motion** servo MC/MD

**Dynamic geared motors**

- ▶ Power range 0.25 to 20.3 kW
- ▶ Torque range  $\leq 12000$  Nm



**G-motion** m-var

**Geared motors with mechanical speed control**

- ▶ Power range 0.25 to 45 kW
- ▶ Torque range  $\leq 12000$  Nm

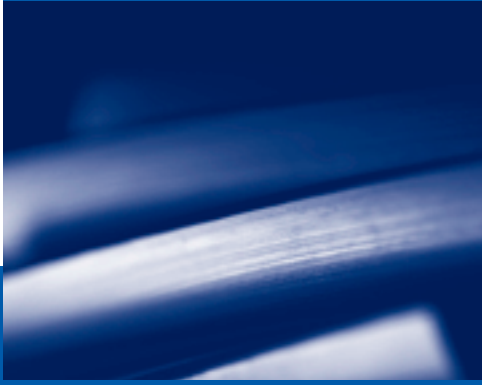


**G-motion** EHB

**Monorail overhead conveyor geared motors for light and heavy loads**

- ▶ Power range 0.12 to 5.5 kW
- ▶ Torque range  $\leq 900$  Nm





# Contents | G-motion ATEX

**Product key, mounting positions and position of system blocks** \_\_\_\_\_ Front fold-out page

**General information** \_\_\_\_\_ 1-1

1

**Drive dimensioning** \_\_\_\_\_ 2-1

2

**Helical gearbox** \_\_\_\_\_ 3-1

3

**Shaft-mounted helical gearbox** \_\_\_\_\_ 4-1

4

**Bevel gearbox** \_\_\_\_\_ 5-1

5

**Helical-bevel gearbox** \_\_\_\_\_ 6-1

6

**Helical-worm gearbox** \_\_\_\_\_ 7-1

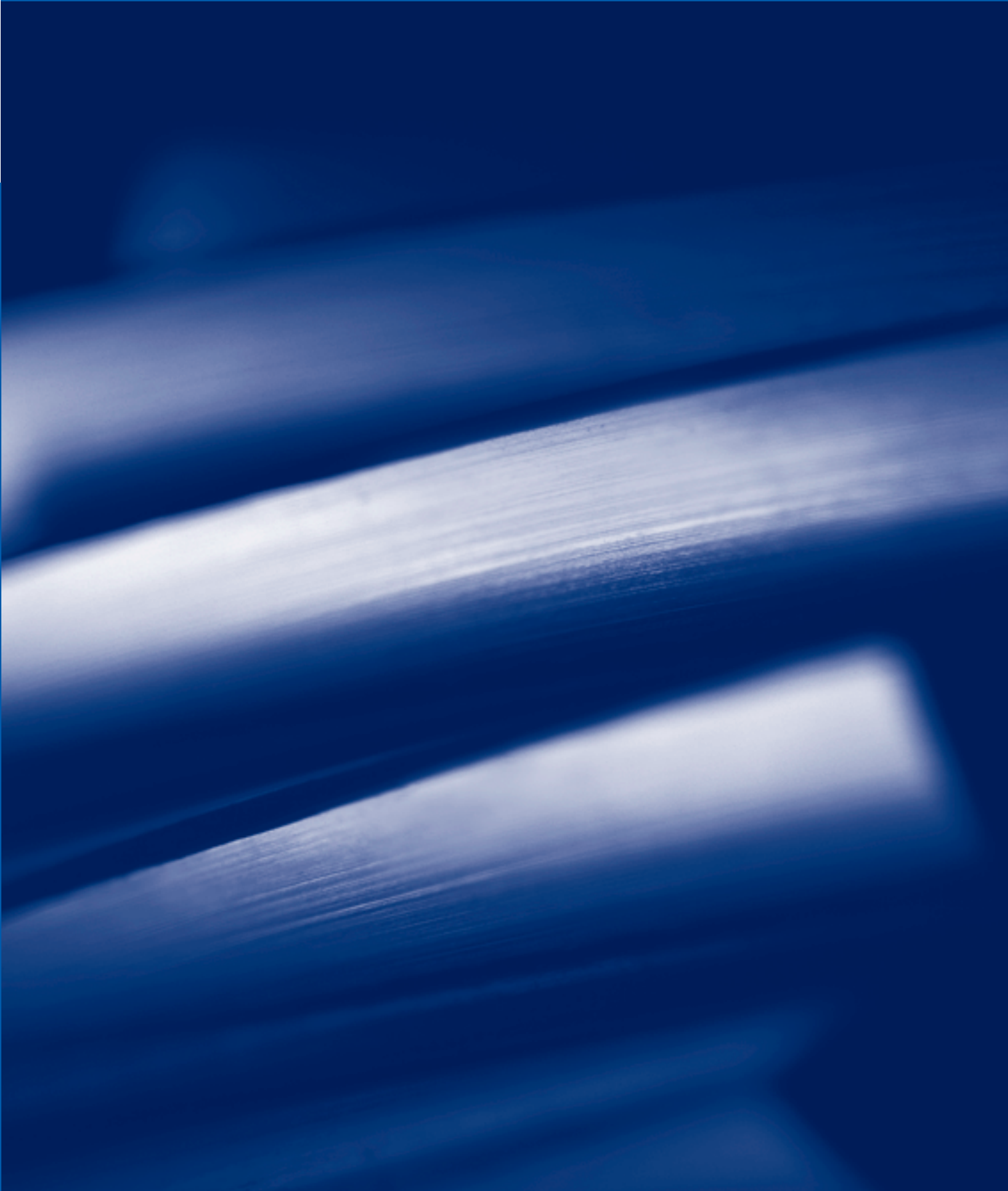
7

**Motors** \_\_\_\_\_ 8-1

8

**Lenze worldwide** \_\_\_\_\_ 9-1

9



# General information | G-motion atex

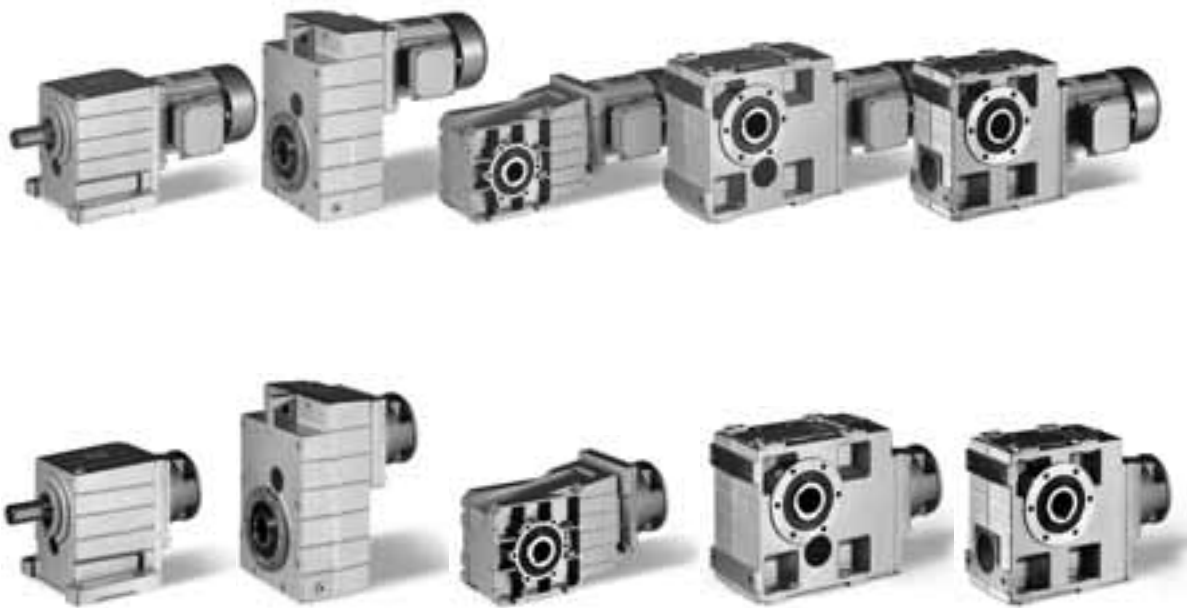
<b>Product information</b>	1-2
<b>The range</b>	1-4
<b>Explosion protection</b>	1-6
<b>List of abbreviations</b>	1-9
<b>Definitions</b>	1-10
<b>Notes on ordering</b>	1-11
<b>Example order</b>	1-12
<b>Fax order forms</b>	1-14



### Lenze ATEX-compliant geared motors and gearboxes

ATEX directives regulate the use of equipment in potentially explosive atmospheres throughout Europe, thus harmonising the various national standards that exist. Not only electrical equipment, but also mechanical, pneumatic and hydraulic devices and device components are critically evaluated in terms of the associated potential for explosion. Previously, such devices had been classified as non-critical system components in respect of explosion protection.

Furthermore, the number of zones for potentially dust explosive atmospheres has been increased from two to three. Against the backdrop of this EU Directive 94/9 EC, in its capacity as a manufacturer Lenze has carried out a comprehensive hazard analysis of its gear case, evaluated the ignition dangers associated with the gearbox and made design adaptations.





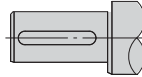
**Lenze ATEX-compliant gearboxes**

Lenze offers drive solutions for use in potentially explosive atmospheres. Users can choose from a comprehensive range of gearboxes and geared motors for use in ATEX categories 2GD and 3GD (dust and gas). Integrated motors can be used where space is at a premium, even for category 2. Thanks to the use of synthetic lubricants and optimised shaft sealing rings, users are provided with a durable geared motor that is easy to maintain.

These gearboxes/geared motors are used in many sectors, including:

- ▶ Materials handling technology, logistics, transport
- ▶ Building services engineering, including air conditioning
- ▶ Packaging technology
- ▶ Automotive industry (paint finishing systems)
- ▶ Wood working machines
- ▶ Chemicals and processing industries
- ▶ Municipal facilities (wastewater treatment plants, biogas plants)
- ▶ Food, beverages and tobacco industries
- ▶ Process engineering

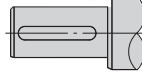
*Solid shaft*



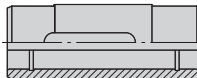
*Output flange*



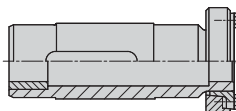
*Solid shaft*



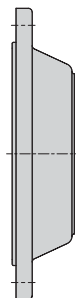
*Hollow shaft*



*Hollow shaft with shrink disc*



*Output flange*





**Helical gearboxes/geared motors GST**  
High permissible radial forces and torques along with closely stepped speed reduction ratios are the key features of these highly economical 1, 2 or 3-stage geared motors, which are of a robust design.

**Shaft-mounted helical gearboxes/geared motors GFL**  
These parallel shaft-type helical gearboxes are primarily used as shaft-mounted gearboxes. As well as offering the possibility of power or torque sharing, the driven shaft is accessible for other applications.

**Bevel gearboxes/geared motors GKR**  
High efficiency, low weight and wear-free teeth characterise this 2-stage, low-maintenance right-angle gearbox in the lower torque range.

**Helical-bevel gearboxes/geared motors GKS**  
The excellent performance of these 3 and 4-stage built-on right-angle gearboxes is what sets them apart. Thanks to the robust cast iron housing, high permissible torques and closely stepped speed reduction ratios, they can meet even the most stringent of requirements.

**Helical-worm gearboxes/geared motors GSS**  
The low noise 2 and 3-stage helical-worm gearboxes are the perfect compromise between single-stage worm gearboxes, which offer an excellent price/performance ratio, and (helical-)bevel gearboxes, which offer a high degree of efficiency.

### Primary and secondary measures

In order for an explosion to take place, a flammable substance (gas, dust, liquid), a sufficient quantity of oxygen and an ignition source all need to be present in the correct mix ratio. There are currently 13 different known such ignition sources, of which only half are electrical. In addition to sparks, arcing or static charges, hot surfaces, mechanically generated sparks and ultrasound all play an important role.

Primary explosion protection is another important aspect of the ATEX directive. Suitable measures are implemented to prevent explosive atmospheres from forming in the first place. These measures include, for example, the general avoidance of flammable substances and the use of non or hardly combustible raw materials. Additional measures include the inerting of systems, involving the careful use of inert gases to reduce the explosiveness of flammable mixtures. Means of preventative explosion protection include the restriction of emissions and the natural and technical ventilation of production areas.

Explosion protection is not just a matter of flammable gases or evaporated liquids. Today, a significant number of explosions can be traced back to the inadequate protection of dust areas. This is why the ATEX directive is much more concerned with dust explosion protection than previous legislation and, under the ATEX directive, the designation and certification of equipment for use in these areas has been substantially expanded.

### Explosion-protected equipment

Category	Device group I Mines, mine gas		Device group II Other potentially explosive atmospheres (gas or dust)					
	M1	M2	1		2		3	
Potentially explosive atmospheres <sup>1)</sup>			G	D	G	D	G	D
Zone			0	20	1	21	2	22
Gearbox type of protection					c, k	c, k	c	c

<sup>1)</sup> G = Gaseous atmosphere, D = Dusty atmosphere



## Categories and zones

Category	Zone	Degree of protection	Operating conditions/availability
1G	0	Very high	Explosive atmosphere is present frequently and for long periods. Special machine manufacture - not included in the gearbox manufacturer's range of products.
1D	20		
2G <sup>1)</sup>	1	High	Explosive atmosphere is present at intervals. Lenze drive components can be supplied for constant and variable output speeds.
2D <sup>1)</sup>	21		
3G <sup>1)</sup>	2	Normal	Explosive atmosphere is present only rarely and for short periods. Lenze drive components can be supplied for constant and variable output speeds.
3D <sup>1)</sup>	22		

## Types of protection

Device type	Type of protection	Standard	Description
Gearbox (mechanical devices)	c <sup>1)</sup>	EN 13463 Part 5	Constructional safety
	k <sup>1)</sup>	EN 13463 Part 8	Liquid immersion

<sup>1)</sup> Sections marked in grey can be provided with Lenze drives.

Designation of equipment for use in potentially explosive atmospheres

CE 102  II 2 G E Ex ck IIC Part 4

**CE designation**

**Number of the labelled position**

**Designation of explosion prevention in accordance with ATEX**

**Device group**

II = Above ground use

**Category**

2 = For zone 1, 21  
3 = For zone 2, 22

**Potentially explosive atmosphere**

G = Gas  
D = Dust

**EN European standards**

**Explosion protection**

**Type of protection**

c = Constructional safety  
k = Liquid protection

**Explosion group**

Required ignition power  
IIA = High  
IIB = Medium  
IIC = Low

**Temperature class**

Temperature limit  
T1 = ≤ 450°C  
T2 = ≤ 300°C  
T3 = ≤ 200°C  
T4 = ≤ 135°C  
T5 = ≤ 100°C  
T6 = ≤ 85°C

$\alpha$	[°]	Angle of action of radial force	$k$	-	Application factor (according to DIN 3990)
$\varphi$		Ratio step	$k_l$	-	Intensity of gearbox load capacity
$\eta$	[%]	Mechanical efficiency	$m$	[kg]	Mass
$\eta_A$	[%]	Mechanical start-up efficiency of gearbox	$M_A$	[Nm]	Motor starting torque
<b>AC</b>		Alternating current/voltage	$M_B$	[Nm]	Brake holding torque
<b>c</b>		Load capacity of geared motors	$M_{stall}$	[Nm]	Motor stalling torque
$\cos\varphi$		Power factor of the motor	$M_r$	[Nm]	Rated torque
			$M_1$	[Nm]	Input torque
			$M_2$	[Nm]	Output torque
			$M_{2\ perm}$	[Nm]	Permissible output torque
			$n_r$	[rpm]	Rated speed
$d_w$	[mm]	Pitch circle diameter of transmission element	$n_1$	[rpm]	Input speed
<b>DC</b>		Direct current/voltage	$n_2$	[rpm]	Output speed
<b>OT</b>		Operating time	$P_r$	[kW]	Rated power
$f_\alpha$		Effective direction factor at driven shaft	$P_1$	[kW]	Driving power
$f_r$	[Hz]	Rated frequency	$P_{1\ perm}$	[kW]	Permissible drive power
$f_w$	-	Load application factor at output shaft	$T_{amb}$	[°C]	Ambient temperature
$f_z$		Additional radial force factor for transmission element	$U_R$	[V]	Rated voltage
$F_a$	[N]	Applied axial force	$U_{mains}$	[V]	Mains voltage
$F_{a\ Tab}$	[N]	Table value for axial force			
$F_{a\ perm}$	[N]	Permissible axial force			
$F_l$		Mass acceleration factor			
$F_r$	[N]	Applied radial force			
$F_{r\ Tab}$	[N]	Table value for radial force			
$F_{r\ perm}$	[N]	Permissible radial force			
<b>h</b>	[m]	Site altitude amsl	<b>CCC</b>		China Compulsory Certification product certification
<b>i</b>		Ratio	<b>CE</b>		Communauté Européene
$I_B$	[A]	Rated brake current	<b>CSA</b>		Canadian Standards Association
$I_A$	[A]	Motor starting current	<b>DIN</b>		Deutsches Institut für Normung
$I_r$	[A]	Rated current	<b>EMC</b>		Electromagnetic compatibility
			<b>EN</b>		European standard
			<b>IEC</b>		International Electrotechnical Commission
			<b>IM</b>		International Mounting code
			<b>IP</b>		International Protection code
			<b>NEMA</b>		National Electrical Manufacturers Association
$J_D$	[kgm <sup>2</sup> ]	Moment of inertia of the drive reduced on drive shaft	<b>UL</b>		Underwriters Laboratory listed component
$J_B$	[kgm <sup>2</sup> ]	Moment of inertia of the brake	<b>UR</b>		Underwriters Laboratory recognised component
$J_{ext}$	[kgm <sup>2</sup> ]	Moment of inertia of the load reduced on motor shaft	<b>USDA</b>		United States Department of Agriculture
$J_{GM}$	[kgm <sup>2</sup> ]	Moment of inertia of the geared motor reduced on motor shaft	<b>VDE</b>		Verband deutscher Elektrotechniker
$J_{motor}$	[kgm <sup>2</sup> ]	Moment of inertia of the motor			

## General information about the data provided in this catalogue

### Outputs, torques and speeds

The outputs, torques and speeds specified in the catalogue are rounded values and apply to:

- ▶ Operating time/day = 8 h (100% OT)
- ▶ Duty class I for up to 10 switching operations/h
- ▶ Mounting positions and designs in this catalogue
- ▶ Standard lubricant
- ▶  $f_{\text{mains}} = 50$  Hz constant
- ▶  $T_{\text{amb}} = 20^{\circ}\text{C}$  for gearbox  
40°C for motors (in accordance with EN 60034)
- ▶ Site altitude  $< = 1000$  m amsl
- ▶ The selection tables provide the permissible mechanical powers and torques. For notes on the thermal power limit, see page 2-2.
- ▶ The rated power specified for motors and geared motors applies to operating mode S1 (in accordance with EN 60034).

Under different operating conditions, the values obtained may vary from those listed here.

In the case of extreme operating conditions, please consult your Lenze sales office.

### Load capacity $c$ of gearbox

Characteristic value for the load capacity of Lenze geared motors.

- ▶  $c$  is the ratio of the permissible rated torque of the gearbox to the rated torque delivered by the drive component (e.g. the integrated Lenze motor).
- ▶  $c$  must always be greater than the application factor  $k$  determined for the application.

### Application factor $k$ (corresponding to DIN 3990)

Takes account of the effect of any loads that are actually present and that vary during the anticipated operating time of gearboxes and geared motors.

$k$  depends on

- ▶ The type of load
- ▶ The load intensity
- ▶ Temporal influences

**We aim to process your order quickly and accurately. Therefore, please ensure that your order details are complete. The following checklist and ordering procedure should help.**

#### **Checklist**

In order to receive the correct products in good time, please provide the following information:

- ▶ Your address and order data
- ▶ Our product keys for the individual products in this catalogue
- ▶ Your delivery details, such as delivery date and delivery address

#### **Ordering procedure**

Please use this step-by-step guide and the fax order forms to ensure that you provide all the necessary information in the correct format. It makes ordering your tailor-made drive extremely easy:

- ▶ Copy the fax order forms.  
See pages 1-14 to 1-20.
- ▶ Enter the order data.
- ▶ Post or fax the forms to your Lenze sales office.  
A list of Lenze sales offices can be found at the end of this catalogue.



→ **Cross-reference**

→ Result

**1. Specify Atex category/zone.**

→ **General information, explosion protection** (chapter 1)

Example: **Atex category 3D/zone 22**

**2. Dimension the drive system.**

→ **Drive dimensioning, dimensioning** (chapter 2)

**3. Specify the type designation and ratio.**

→ **Product key** (fold-out page),  
**selection table** (chapter 3-7)

→ Gearbox type, gearbox size, number of stages,  
example:

**GST 07 - 2**

Drive design, (motor frame size) drive size,  
ratio

Example: **M, 100C12, i=44,500**

**4. Specify the output design.**

→ **Product key** (fold-out page),

**Drive dimensioning, gearbox designs** (chapter 2)

→ Solid shaft with keyway, without foot, with centring  
ring, with 200 mm round flange (**V, C, K**)

**5. Specify the mounting position and the position of the  
system blocks.**

→ **Product key** (fold-out page)

Example: **Mounting position A**

**Terminal box position 5**

**6. Specify the colour.**

→ **Drive dimensioning, gearbox designs** (chapter 2)

Example: **Paint RAL 7012 (basalt grey)**

**7. Specify the gearbox options.**

→ **Drive dimensioning, gearbox designs** (chapter 2)

Example: **Breather elements**

--	--	--	--	--	--	--	--	--	--

Customer no.

Order no.

--

Quantity

Page \_\_

**Atex category (zone)**

- Atex cat. 2G (zone 1)
- Atex cat. 3G (zone 2)
- Atex cat. 2D (zone 21)
- Atex cat. 3D (zone 22)

**Geared motor**

- Temperature class  
T3  
T3  
Permissible maximum temperature  
T 190°C  
T 190°C

**Gearbox (Note the permissible mounting positions in the selection tables!)**

- Temperature class  
T3/T4  
T3/T4  
Permissible maximum temperature  
T 190/T 125°C  
T 190/T 125°C

i = **44,500**

**G S T** **0 7** - **X** 2 **X** m **N** **V** **X** c **X** K **L** **R**

Motor frame size/drive size **1 0 0 - 1 2**

Flange a<sub>2</sub> = **200** mm

n<sub>1</sub> = 2800 rpm  
n<sub>1</sub> = 1400 rpm  
n<sub>1</sub> = 700 rpm

**Other ordering data**

Mounting position

- a  b  c  D  e  F

Position of system elements

- Terminal boxes  
2  3  4  5

Colour

- Paint RAL 7012 (basalt grey)  Grey primer

**Options**

Special lubricant

- CLP-HC 220 USDA H1 (lubricant approved for the food and beverages industry)

...

Ventilation

- Breather elements for GST 05...07  compensation reservoir in mounting position C for GST 09...14

To the Lenze sales office

Page \_\_ of \_\_

Order

Quotation

1

Fax no. \_\_\_\_\_

From

Customer no.

\_\_\_\_\_  
Company

--	--	--	--	--	--	--	--	--	--

\_\_\_\_\_  
Street/PO Box

\_\_\_\_\_  
Order no.

\_\_\_\_\_  
City Post code

\_\_\_\_\_  
Contact name

\_\_\_\_\_  
Date Signature

\_\_\_\_\_  
Department

\_\_\_\_\_  
Tel. no.

Delivery address (if different)

\_\_\_\_\_  
Street

\_\_\_\_\_  
City Post code

Invoice to (if different)

\_\_\_\_\_  
Street/PO Box

\_\_\_\_\_  
City Post code

Requested delivery date \_\_\_\_\_

Despatch information \_\_\_\_\_  
\_\_\_\_\_

--	--	--	--	--	--	--	--	--	--

Customer no.

Order no.

--

Quantity

Page \_\_

**Atex category (zone)**

- Atex cat. 2G (zone 1)
- Atex cat. 3G (zone 2)
- Atex cat. 2D (zone 21)
- Atex cat. 3D (zone 22)

**Geared motor**

- Temperature class  
T3  
T3
- Permissible maximum temperature  
T 190°C  
T 190°C

**Gearbox (Note the permissible mounting positions in the selection tables!)**

- Temperature class  
T3/T4  
T3/T4
- Permissible maximum temperature  
T 190/T 125°C  
T 190/T 125°C

i = 

--

**GST**

--	--

 - 

--	--

--

**1**

--

**m**

--

**2**

--

**3**

--

**N**

--

**V**

--

**a**

--

**b**

--

**c**

--

**R**

--

**K**

--

**L**

Flange a<sub>2</sub> = 

--

 mm

Motor frame size (M) 

--	--	--	--	--	--	--	--

Drive size (N) 

--	--

n<sub>1</sub> = 2800 rpm

n<sub>1</sub> = 1400 rpm

n<sub>1</sub> = 700 rpm

**Other ordering data**

**Mounting position**

**a**  **b**  **c**  **D**  **e**  **F** (Note the permissible mounting positions in the selection tables!)

**Position of system elements**

Terminal boxes  
 **0**  **2**  **3**  **4**  **5**

**Colour**

Paint RAL 7012 (basalt grey)  Grey primer

**Options**

**Special lubricant**  CLP-HC 220 USDA H1 (lubricant approved for the food and beverages industry)

**Special paint finish** RAL 

--

**Driven shaft bearings**  Reinforced bearings for GST 04...09 - 2

**Ventilation**  Breather elements for GST 05...07  compensation reservoir in mounting position C for GST 09...14

For other ordering data, see the motor options fax order form.

# General

## Shaft-mounted helical gearbox fax order form

# ATEX

--	--	--	--	--	--	--	--	--	--

Customer no.

Order no.

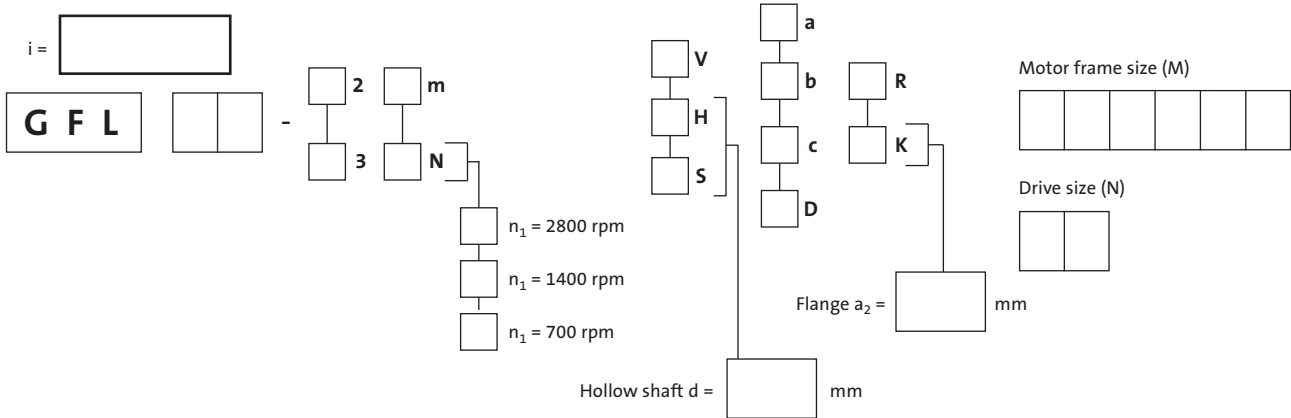
--

Quantity

Page \_\_\_

1

Atex category (zone)	Geared motor	Gearbox (Note the permissible mounting positions in the selection tables!)
<input type="checkbox"/> Atex cat. 2G (zone 1) <input type="checkbox"/> Atex cat. 3G (zone 2)	Temperature class T3 T3 Permissible maximum temperature T 190°C T 190°C	Temperature class T3/T4 T3/T4 Permissible maximum temperature T 190/T 125°C T 190/T 125°C



### Other ordering data

**Mounting position**  
 a  b  c  D  e  F

**Position of system elements**  
 (mark unspecified positions with 0)

Shaft/shrink disc <input type="checkbox"/> 0 <input type="checkbox"/> 6 <input type="checkbox"/> 1	Foot <input type="checkbox"/> 0 <input type="checkbox"/> 3 <input type="checkbox"/> 4	Terminal boxes <input type="checkbox"/> 0 <input type="checkbox"/> 2 <input type="checkbox"/> 3 <input type="checkbox"/> 4 <input type="checkbox"/> 5
---	--	--

**Colour**  
 Paint RAL 7012 (basalt grey)  Grey primer

### Options

**Special lubricant**  
 CLP-HC 220 USDA H1 (lubricant approved for the food and beverages industry)

**Special paint finish**  
 RAL

**Accessories**  
 Rubber buffer set for torque plate  
 Shrink disc cover (in position 6 only)  
 Hollow shaft circlip mounting set

**Ventilation**  
 Breather elements for GFL 05...07  compensation reservoir in mounting position C for GFL 09...14

For other ordering data, see the motor options fax order form.



--	--	--	--	--	--	--	--	--	--

Customer no.

Order no.

--

Quantity

Page \_\_

**Atex category (zone)**

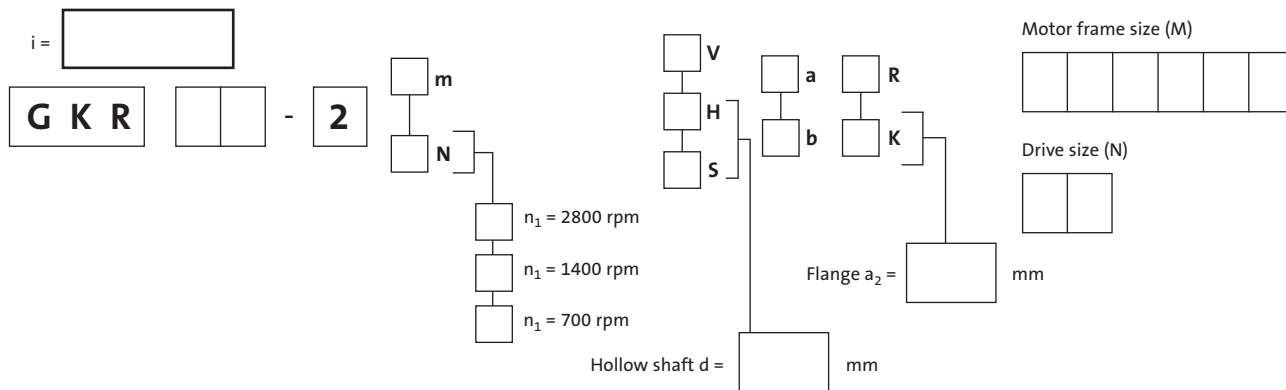
- Atex cat. 2G (zone 1)
- Atex cat. 3G (zone 2)
- Atex cat. 2D (zone 21)
- Atex cat. 3D (zone 22)

**Geared motor**

- Temperature class
- T3
  - T3
- Permissible maximum temperature
- T 190°C
  - T 190°C

**Gearbox (Note the permissible mounting positions in the selection tables!)**

- Temperature class
- T3/T4
  - T3/T4
- Permissible maximum temperature
- T 190/T 125°C
  - T 190/T 125°C



**Other ordering data**

Mounting position

- a  b  c  D  e  F

Position of system elements  
(mark non-fixed positions with 0)

- Shaft/shrink disc  0  3  5  8
- Flange  0  3  5  8
- Terminal boxes  0  2  3  4  5

Colour

- Paint RAL 7012 (basalt grey)  Grey primer

**Options**

Special lubricant

- CLP-HC 220 USDA H1 (lubricant approved for the food and beverages industry)

Special paint finish

RAL 

--

Accessories

- Rubber buffer set for torque plate (GKR 04 only)
- Housing foot torque plate (GKR 05/06 only)
- Second output shaft end
- Shrink disc cover
- Torque plate pitch circle
- Hollow shaft circlip mounting set
- Hoseproof hollow shaft cover

For other ordering data, see the motor options fax order form.

# General

## Helical-bevel gearbox fax order form

# ATEX

--	--	--	--	--	--	--	--	--	--

Customer no.

Order no.

--

Quantity

Page \_\_

### Atex category (zone)

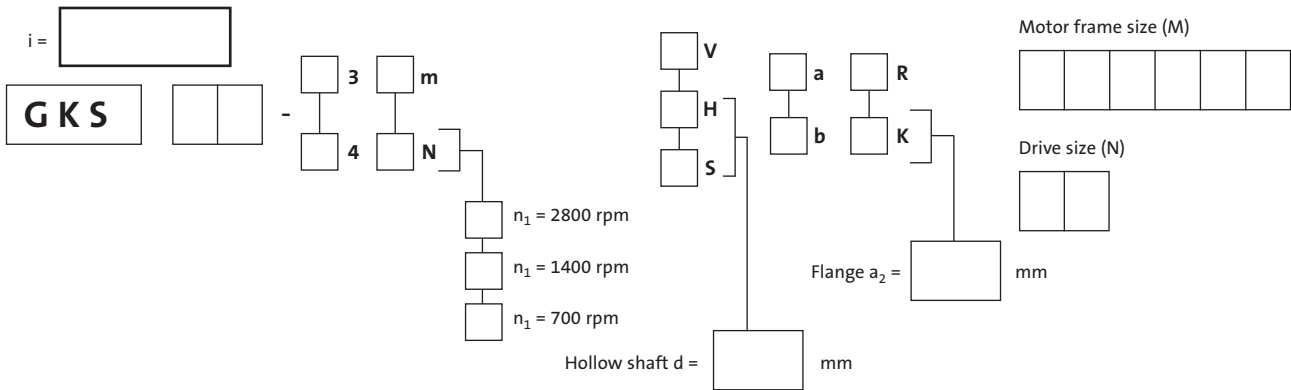
- Atex cat. 2G (zone 1)  
 Atex cat. 3G (zone 2)  
 Atex cat. 2D (zone 21)  
 Atex cat. 3D (zone 22)

### Geared motor

- Temperature class  
T3  
T3  
Permissible maximum temperature  
T 190°C  
T 190°C

### Gearbox (Note the permissible mounting positions in the selection tables!)

- Temperature class  
T3/T4  
T3/T4  
Permissible maximum temperature  
T 190/T 125°C  
T 190/T 125°C



### Other ordering data

Mounting position

- a  b  c  D  e  F

Position of system elements  
(mark non-fixed positions with 0)

- Shaft/shrink disc:  0  3  5  8  
Flange:  0  3  5  8  
Terminal boxes:  0  2  3  4  5

Colour

- Paint RAL 7012 (basalt grey)  Grey primer

### Options

Special lubricant

- CLP-HC 220 USDA H1 (lubricant approved for the food and beverages industry)

Special paint finish

RAL [ ]

Accessories

- Torque plate on housing foot  Torque plate pitch circle  
 Second output shaft end  Hollow shaft circlip mounting set  
 Shrink disc cover  Hoseproof hollow shaft cover

Ventilation

- Breather elements for GKS 05...07  compensation reservoir in mounting position C for GKS 09...14

For other ordering data, see the motor options fax order form.

--	--	--	--	--	--	--	--	--	--

Customer no.

Order no.

--

Quantity

Page \_\_\_

**Atex category (zone)**

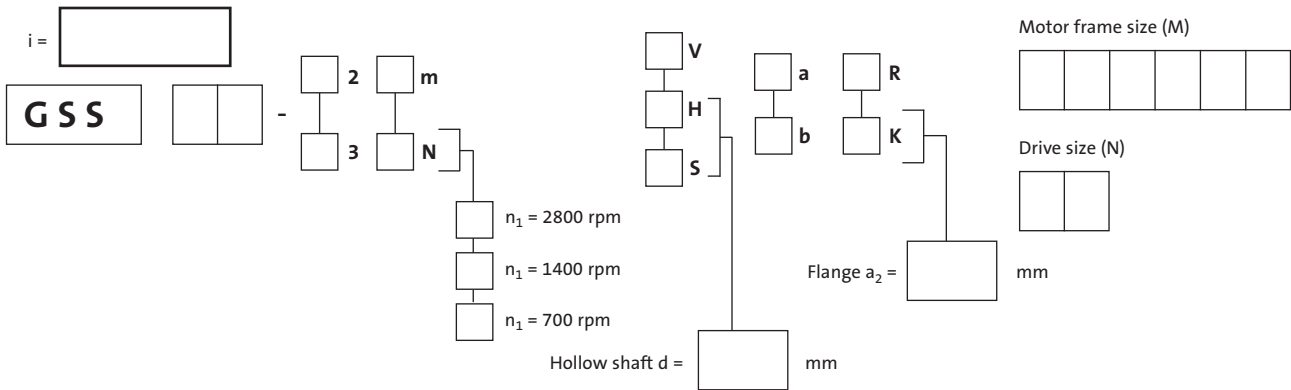
- Atex cat. 2G (zone 1)
- Atex cat. 3G (zone 2)
- Atex cat. 2D (zone 21)
- Atex cat. 3D (zone 22)

**Geared motor**

- Temperature class
- T3
- T3
- Permissible maximum temperature
- T 190°C
- T 190°C

**Gearbox (Note the permissible mounting positions in the selection tables!)**

- Temperature class
- T3/T4
- T3/T4
- Permissible maximum temperature
- T 190/T 125°C
- T 190/T 125°C



**Other ordering data**

Mounting position

- a
- b
- c
- D
- e
- F

Position of system elements  
(mark non-fixed positions with 0)

- Shaft/shrink disc:  0  3  5  8
- Flange:  0  3  5  8
- Terminal boxes:  0  2  3  4  5

Colour

- Paint RAL 7012 (basalt grey)
- Grey primer

**Options**

Special lubricant

- CLP HC 220 USDA H1 (lubricant approved for the food and beverages industry)

Special paint finish

RAL [ ] [ ]

Accessories

- Torque plate on housing foot
- Torque plate pitch circle
- Second output shaft end
- Hollow shaft circlip mounting set
- Shrink disc cover
- Hoseproof hollow shaft cover

Ventilation

- Breather elements for GSS 05...07

For other ordering data, see the motor options fax order form.

# General

Motor options fax order form

--	--	--	--	--	--	--	--	--	--

Customer no.

Order no. \_\_\_\_\_

**ATEX**

Page \_\_

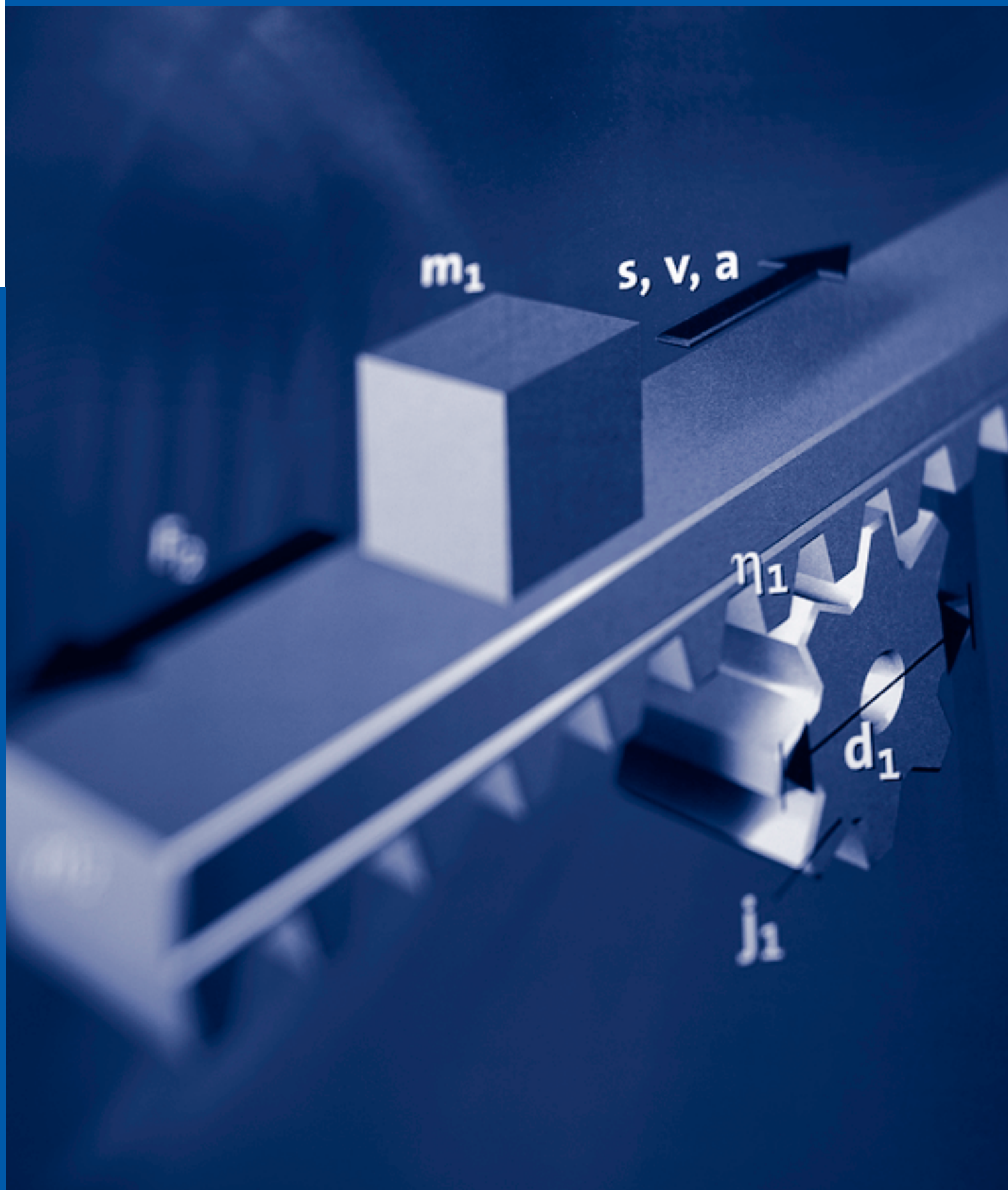
## Motor options for ATEX category 2G, 2D, 3G, 3D (zone 1, 21, 2, 22)

Motor protection

PTC

1





## Dimensioning

Therma power limit	2-3
Determining the required load capacity	2-4
Determining the available axial and radial forces	2-5

## Gearbox designs

General data	2-6
Basic designs	2-7
Options	2-9
Gearboxes with mounting flange design <b>N</b>	2-10
Gearboxes with ventilation	2-11
Lubricants	2-12

## Motor designs for Atex category 2G, 2D, 3G, 3D (zone 1, 21, 2, 22)

General data	2-13
Basic designs	2-13
Options	2-13



# Drive dimensioning

## Dimensioning





### Thermal power limit

The permissible gearbox continuous power is restricted by:

- ▶ The mechanical power, defined by the material strength of the individual components or
- ▶ The thermal power limit, defined by the heat balance

The thermal power limit may be lower than the mechanical power rating indicated in the selection tables.

The thermal power limit is affected by:

- ▶ The churning losses associated with the lubricant. These are determined by the mounting position and circumferential speed of the gears.
- ▶ The load and the speed
- ▶ The ambient conditions: temperature, air circulation, heat input or dissipation via shafts and the foundation

Please consult the Lenze sales office

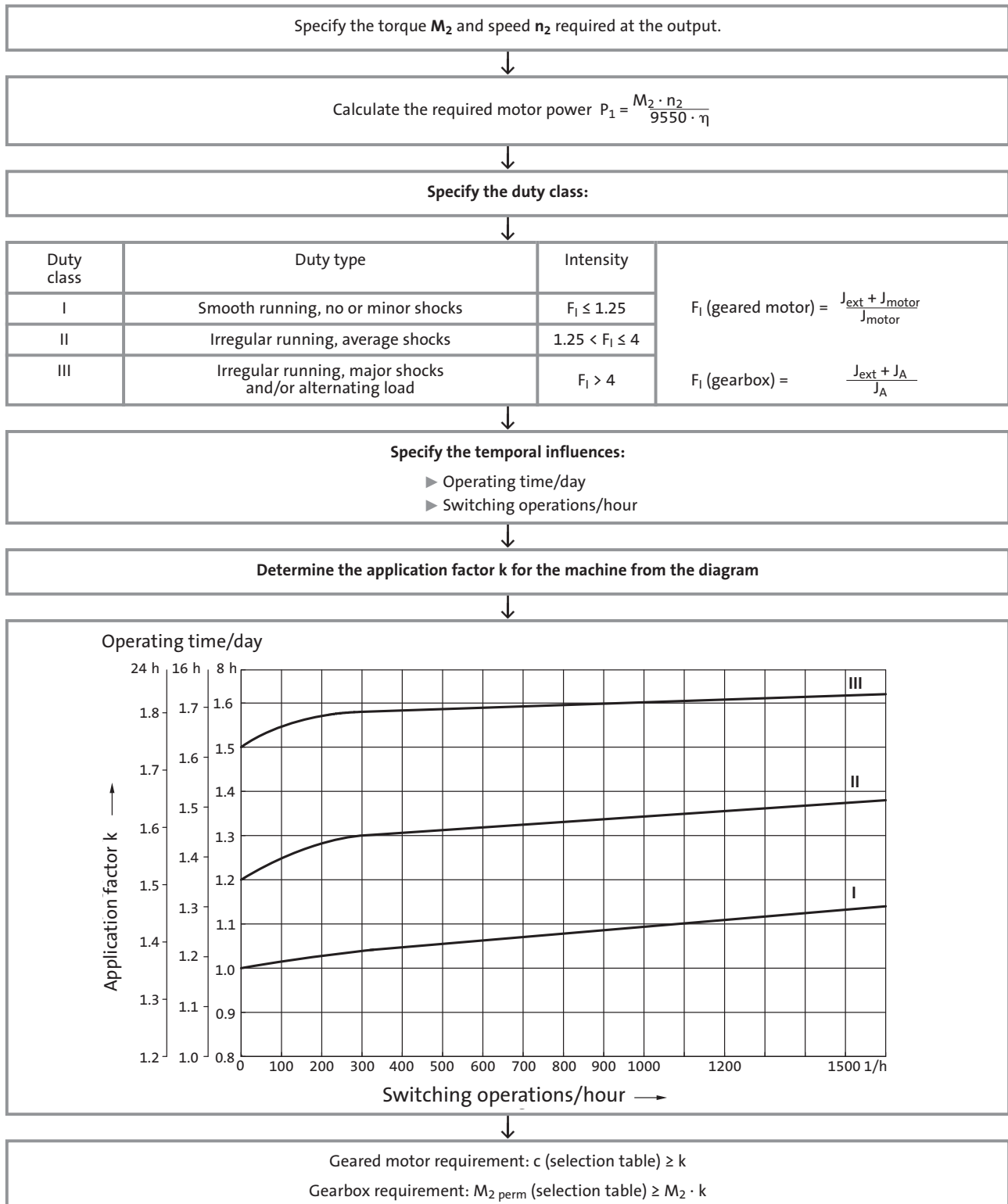
- ▶ if you are using the following gearbox type, size and ratio combinations at input speed  $n_1 > 1500$  rpm:

Gearbox type	Gearbox size	Ratios $i <$
GST	07, 09, 11, 14	10
GFL	07, 09, 11, 14	16
GKS	07, 09, 11, 14	25

...or if the input speeds  $n_1$  listed are exceeded:

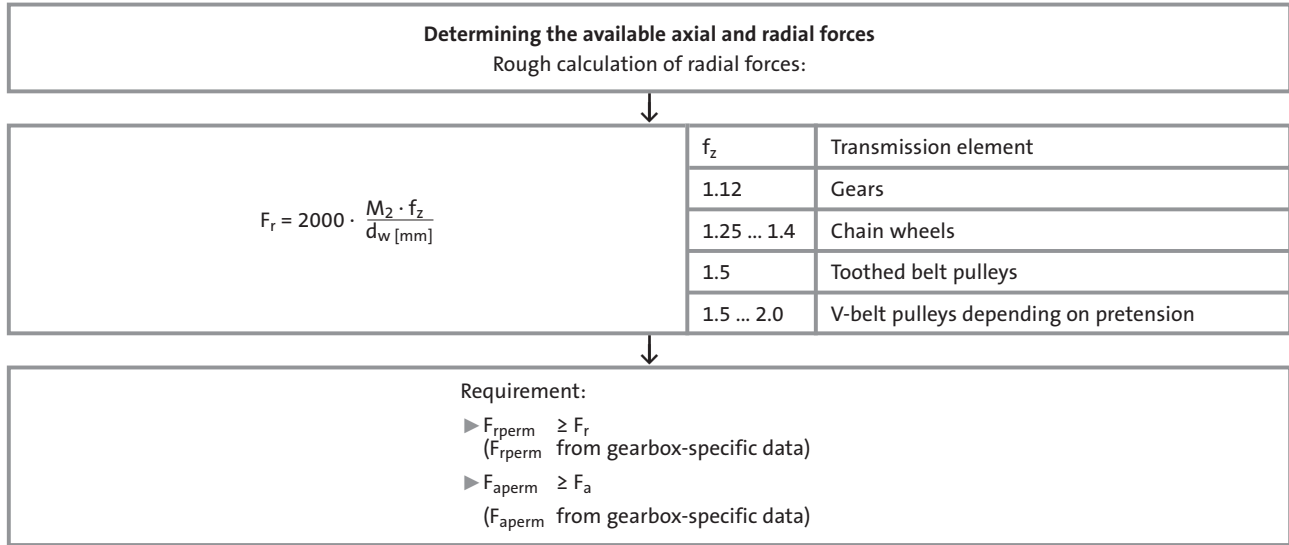
Mounting position	Motor frame size	
	063...100	112...132
	Drive size	
	1A...□E	□F...□G
A, B, E, F	3000 rpm	3000 rpm
C, D	3000 rpm	1500 rpm

### 1. Determination of the required load capacity





## 2. Calculating the axial and radial forces applied to the gearbox shaft



### General data

		GST	GFL	GKR	GKS	GSS
<b>Housing</b>	Design	Cuboid				
	Material	Aluminium/Cast iron				
<b>Solid shaft</b>	Design	With keyway to DIN 6885				
	Tolerance	k6 (d ≤ 50 mm) m6 (d > 50 mm)				
	Material	Tempered steel C45/42CrMo4				
<b>Hollow shaft</b>	Design	–	–	H: With keyway S: Smooth		
	Tolerance	–	Bore acc. to ISO H7 (measured with plug gauge)			
	Material	–	Tempered steel C45			
<b>Toothed parts</b>	Design	Optimised tooth flanks and profile geometry Ground tooth flanks				
	Material	Case-hardened steel			Case-hardened steel, bronze worm gear	
<b>Shaft-hub connection</b>		1st stage/prestage/helical (bevel) gearbox: friction-type connection Output stage (= 2nd, 3rd or 4th stage): friction-type or positive-fit connection				
<b>Shaft sealing rings</b>	Design	With dust lip				
	Material	FP (Viton)				
<b>Bearings</b>	Design	Ball bearing/tapered-roller bearing depending on size and design				
<b>Lubricants</b>	Design	In accordance with DIN 51502				
	Fill volumes	Depends on the mounting position ⇒ Operating Instructions				
<b>Mechanical efficiency</b>	At rated torque	0.95 ≤ η <sub>G</sub> ≤ 0.98	0.95 ≤ η <sub>G</sub> ≤ 0.97	0.95 ≤ η <sub>G</sub> ≤ 0.96	0.93 ≤ η <sub>G</sub> ≤ 0.95	0.79 ≤ η <sub>G</sub> ≤ 0.92 ▶ Dependent on transmission ratio ▶ At n <sub>1</sub> = 1400 rpm ▶ Housing at operating temperature and teeth run in
		Does not exceed the emission values specified in VDI Guideline 2159				
<b>Noise</b>		Does not exceed the emission values specified in VDI Guideline 2159				
<b>Enclosure</b>		IP65				



### Basic designs

Gearbox type	Gearbox size	No. of stages	Drive design	Output design									Possible combinations Housing and flange		
				Shafts [mm]			Housing			Flange [mm]					
Product key				V	H	S	A	B	C	D	R	K	L		
GST	04	1	M N	16x32				●	●		●	120/140 160		AR AL BR CR CK	
		2		20x40			●	●	●		●	120/140 160	120/140		
	05	1		20x40				●	●	●		●	120/140 160/200		
		2/3		25x50			●	●	●		●	120/140 160/200	120/140 160		
	06	1		25x50				●	●	●		●	160/200		
		2/3		30x60			●	●	●		●	160/200	160/200		
	07	1		30x60				●	●	●		●	200/250		
		2/3		40x80			●	●	●		●	200/250	200/250		
	09	1		40x80				●	●	●		●	250/300		
		2/3		50x100			●	●	●		●	250/300	250/300		
11	2/3	60x120			●	●	●		●	300/350	300/350				
	2/3	80x160			●	●	●		●	350/400	350/400				
GFL	04	2	M N	25x50	25/30	25/30	Feet in position 3 or 4 Centring and Pitch circle in position 6	Feet in position 3 or 4 Pitch circle in position 6	Centring and Pitch circle in position 6	Pitch circle in position 6	●	160		AR AK BR CR CK DR	
		05		2/3	30x60	30/35					35	●	200		
	06	2/3		40x80	40/45	40					●	200 only with H+S 250			
				50x100	50/55	50					●	250/300			
	09	2/3		60x120	60/70	65					●	350			
				80x160	70/80	80					●	400/450			
	14	2/3		100x200	100	100					●	450			
GKR	04	2	M N	20x40	20/25	20	Feet in position 4+6 Centring and pitch circle in position 3+5	Feet in position 4+6 pitch circle in position 3+5			●	120/160		AR BR AK	
		05		2	30x60	30/35					30/35	●	160/200		
	06	2		35x70	40/45	40					●	200/250			
GKS	04	3	M N	25x50	25/30	25/30	Feet in position 2+4+6 Centring and pitch circle in position 3+5	Feet in position 2+4+6 pitch circle in position 3+5			●	160		AR BR AK	
		05		3/4	30x60	30/35					35	●	200		
	06	3/4		40x80	40/45	40					●	200 only with H+S 250			
				50x100	50/55	50					●	250/300			
	09	3/4		60x120	60/70	65					●	350			
				80x160	70/80	80					●	400/450			
14	3/4	100x200	100	100	●	450									
GSS	04	2	M N	25x50	25/30	25/30	Feet in position 2+4+6 Centring and pitch circle in position 3+5	Feet in position 2+4+6 pitch circle in position 3+5			●	160		AR BR AK	
		05		2/3	30x60	30/35					35	●	200		
	06	2/3		40x80	40/45	40					●	200 only with H+S 250			
				50x100	50/55	50					●	250/300			

### Basic designs

Gearbox type	Gearbox size	No. of stages	Drive design	Shaft	Oil control	Ventilation	Lubricants		Colour		
				Shaft sealing rings Viton (FP)	Oil-sight glass	Ventilation units	CLP HC 320	CLP PG 220	Paint RAL 7012 (basalt grey)	Grey primer	
<b>Product key</b>											
GST	04	1	M N	●	●	●	●	●	●	●	
		2									
	05	1									
		2/3									
	06	1									
		2/3									
	07	1									
		2/3									
	09	1									
2/3											
11	2/3										
	14	2/3									
GFL	04	2	N	●	●	●	●	●	●	●	
		05									2/3
	06	2/3									
	07	2/3									
	09	2/3									
	11	2/3									
14	2/3										
GKR	04	2	M N	●	●	●	●	●	●	●	
		05									2
		06									2
GKS	04	3	M N	●	●	●	●	●	●	●	
		05									3/4
	06	3/4									
	07	3/4									
	09	3/4									
	11	3/4									
14	3/4										
GSS	04	2	M N	●	●	●	●	●	●	●	
		05									2/3
	06	2/3									
	07	2/3									



### Options

Gearbox type	Gearbox size	No. of stages	Drive design	Shaft		Built-on accessories					Ventilation		Lubricants	Colour	
				2nd solid shaft end	Reinforced shaft bearing	Rubber buffer set	Torque plate for threaded pitch circle	Torque plate for housing foot	Hoseproof hollow shaft cover	Shrink disc cover	Ventilation units	Compensation reservoir for mounting position C	Approved for the food and beverages industry CLP HC 220 USDA H1	Special paint according to RAL number	
<b>Product key</b>				V											
GST	04	1	M N												
	2														
	05														
	1														
	2/3														
	06														
	1														
	2/3														
	07														
	1														
2/3															
09															
1															
2/3															
11															
2/3															
14															
2/3															
GFL	04	2	M N		2)										
	05														
	2/3														
	06														
	2/3														
	07														
2/3															
09															
2/3															
11															
2/3															
14															
2/3															
GKR	04	2	M N												
	05														
	2														
06															
2															
GKS	04	3	M N		2)										
	05														
	3/4														
	06														
	3/4														
	07														
3/4															
09															
3/4															
11															
3/4															
14															
3/4															
GSS	04	2	M N		2)										
	05														
	2/3														
	06														
2/3															
07															
2/3															

<sup>1)</sup> Standard bearings

<sup>3)</sup> Only with shrink disc in position 6

<sup>2)</sup> On request

### Gearbox with mounting flange design N

#### Mounting flange:

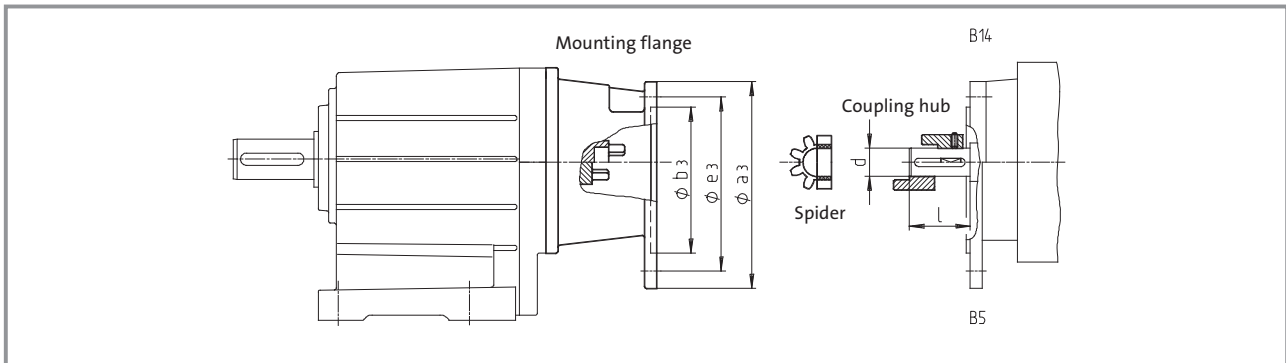
- ▶ Flange dimensions suitable for motors in accordance with IEC 72/DIN 42948
- ▶ Shaft in two bearings
- ▶ Gearbox-side coupling half integrated in the shaft

#### Spider (ring gear):

- ▶ Torsionally stiff
- ▶ Isogonal
- ▶ Low backlash (backlash-free with clamping hub/ clamping ring hub)

#### Coupling hub:

- ▶ Standard: Coupling hub with keyway for motor shafts in accordance with IEC
- ▶ Optional coupling hubs for frequent shocks and load alternation or reduced coupling backlash:
  - Clamping hub with tangential clamping screw for motor shafts with keyway, backlash-free
  - Clamping ring hub for motor shafts without keyway, backlash-free, particularly recommended for servo motors



### Geometric assignments for IEC standard motors

See selection tables for gearbox with mounting flange for permissible driving powers and output torques.

Size	IEC motors		Lenze drive size	Coupling hub		Mounting flange			Centring	Dimensions	Motor shaft	
	Design	Flange size		Standard/clamping hub	Clamping ring hub	Flange $a_3$	Pitch circle $e_3$	$b_3$			d	$l_{min}$
63	B14	C90	1A/2B	●	●	90	75	60	11	23	23	
		C160	6C	● <sup>1)</sup>		160	130	110		23	40	
71	B14	C105	1B/3C	●	●	105	85	70	14	30	30	
		C120	4C			120	100	80		25	40	
		C160	2C	●	●	160	130	110		25	40	
80	B14	C120	7C	●	●	120	100	80	19	25	40	
		C160	1C							25	40	
			2D	●	●	160	130	110		40	50	
90	B14	C160	3E						24	30	60	
			1D	●		160	130	110		50	50	
100	B5	A200	2E/2F	●	●				28	30	60	
			4E/3F	●	●	188	165	130		50	50	
112	B5	A250	1E/1F	●	●	160	130	110	28	30	60	
132	B5	A250	2G	●	●	250	215	180	38	60	60	
			3G	●	●	250	215	180		80	80	
160	B5	A300	1G/3H	●	●	300	265	230	42	80	80	
			1H	●	●	350	300	250		110	110	
180	B5	A350	2H	●		350	300	250	48	110	110	
200	B5	A400	1K	●		400	350	300	55	110	110	
225	B5	A450	2K	●		450	400	350	60	140	140	

Dimensions in [mm]

<sup>1)</sup> Only clamping hub possible





### **Gearboxes with ventilation**

#### **Gearbox size 04 and gearbox type GKR**

No ventilation is required for these gearboxes.

#### **Gearbox size 05 to 07**

Special measures are not usually required when using these gearbox sizes.

In borderline cases, e.g. at drive speeds  $>2000$  rpm, we recommend that breather elements are used. We can supply these elements if required.

#### **Gearbox size 09 to 14**

Ventilation units are always supplied with these gearbox sizes.

#### **Special precautions for mounting position C (motor on top)**

We recommend that an oil compensation reservoir is always used with gearbox sizes 09 to 14 in this mounting position. This reservoir can be purchased as an option. See technical data for illustrations and dimensions (Chapter 3...7).




It is not required at high ratios or low input speeds. Please contact Lenze if this affects your application.

### Lubricants

Lenze gearboxes and geared motors are supplied ready for operation and filled with a lubricant appropriate for the drive and design in question. You must indicate the mounting position and design on your order in order to ensure that the correct amount of lubricant is supplied.

The lubricants that have been approved for Lenze Atex drives are listed in the lubricant table.

### Lubricant table

	Lubricants in accordance with DIN 51517-3: CLP ISO 12925-1: CKC/CKD		
	CLP HC 320	CLP PG 220	CLP HC 220 USDA H1
For gearbox type GST/GFL/GKR/GKS	●		●
GSS		●	●
Ambient temperature [°C]	-25 ... +50	-20 ... +40	-20 ... +40
Specification	Synthetic-based oil (synthetic hydrocarbon/ poly-alpha-olefin oil)	Synthetic-based oil (polyglycol)	Synthetic-based oil (synthetic hydrocarbon/ poly-alpha-olefin oil)
Note		Cannot be mixed with other oil types	For the food and beverages processing industry
	Fuchs Renolin Unisyn CLP 320		bremer & leguil Cassida Fluid GL 220
	Klübersynth GEM4-320	Klübersynth GH 6-220	Klüberoil 4 UH1-220 N
	Shell Omala Oil HD 320	Shell Tivela S 220	

Please contact us if ambient temperatures <-20°C or >40°C apply.

Caution: when using the lubricant CLP HC 220 on the GSS helical-worm gearbox, the torques  $M_2$  and  $M_{2,perm}$  must be reduced to 80 % of the values stated in the catalogue!



### General data

<b>Standards</b>	The motors comply with the current EN and IEC standards. CE conformity in accordance with the Low-Voltage Directive
<b>Operating mode</b>	Designed for operating mode S1 (continuous operation with constant loading at rated power)
<b>Enclosure</b>	Zone 1, 2, 22: IP55 Zone 21: IP65
<b>Temperature class (EN 60034)</b>	Insulation system in accordance with temperature class F
<b>Temperature range</b>	-20 ... +40°C
<b>Installation height</b>	Up to 1000 m above mean sea level without power reduction
<b>Terminal boxes</b>	Motor connection via terminal board
<b>Bearing</b>	Deep-groove ball bearing with 2 shields

2

### Basic designs

Designs	4-pole motors					
	063-12 063-32	071-12 071-32	080-12 080-32	090-12 090-32	100-12 100-32	112-22
Mech. integrated in Lenze gearbox	●	●	●	●	●	●
Integral cooling fan	●	●	●	●	●	●
Enclosure zone 1, 2, 22	IP55	IP55	IP55	IP55	IP55	IP55
zone 21	IP65	IP65	IP65	IP65	IP65	IP65
Terminal box for motor connection	●	●	●	●	●	●

### Options

Designs	4-pole motors					
	063-12 063-32	071-12 071-32	080-12 080-32	090-12 090-32	100-12 100-32	112-22
Motor protection PTC thermistor thermal detector <sup>1)</sup>	PTC	PTC	PTC	PTC	PTC	PTC

1) Not as sole protection



## Technical data

Permissible radial and axial forces	
Output	3-2
Output backlash	3-4
Position of ventilation, sealing elements and oil control	3-5
Reservoir for mounting position C	3-8
Weights	
Geared motors	3-9
Gearboxes with mounting flange	3-11
Additional weights	3-13

## Selection tables

Geared motors for Atex category 2G, 2D, 3G, 3D (zone 1, 21, 2, 22)	3-14
Gearboxes with mounting flange for Atex category 2GD, 3GD (zone 1, 21, 2, 22)	3-28

## Dimensions

Geared motors for Atex category 2G, 2D, 3G, 3D (zone 1, 21, 2, 22)	3-78
Gearboxes with mounting flange for Atex category 2GD, 3GD (zone 1, 21, 2, 22)	3-88
Other dimensions GST□□-2, -3	3-106
Output design VAR	3-106
Output design VAL	3-107

# Technical data - Helical gearboxes

## Permissible radial and axial forces - Output

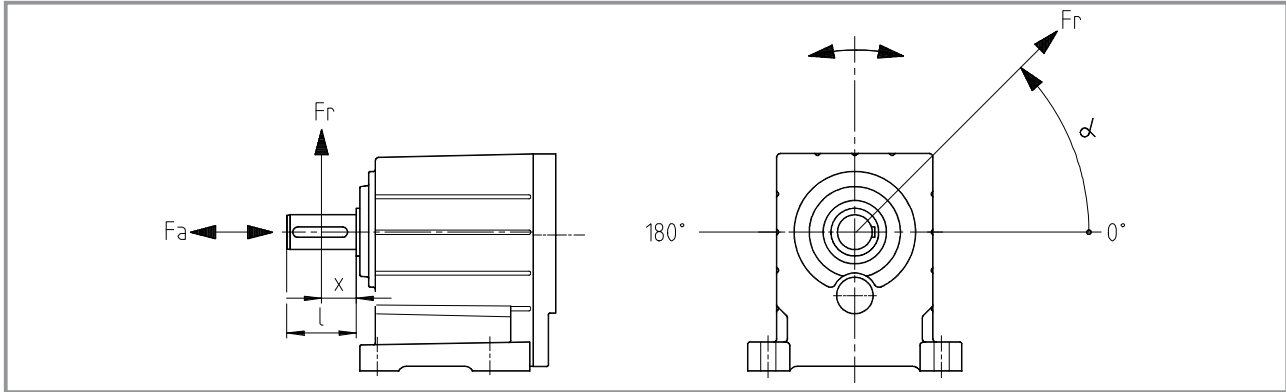
### Permissible radial force

$$F_{Rperm} = \min(f_w \cdot f_\alpha \cdot F_{RTab}, f_w \cdot F_{Rmax})$$

### Permissible axial force

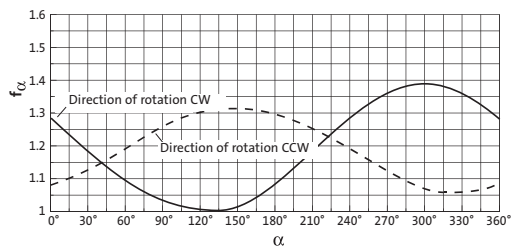
$$F_{Aperm} = F_{ATab} \quad \text{at } F_R = 0$$

Contact Lenze if  $F_R$  and  $F_A \neq 0$



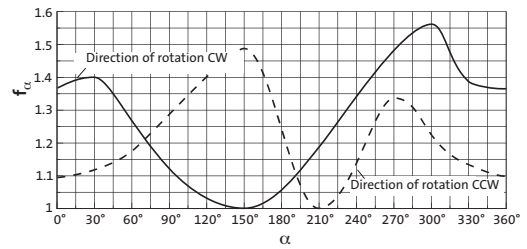
**$f_\alpha$**  Effective direction factor  $f_\alpha$  at driven shaft

1-stage helical gearbox GST □□-1



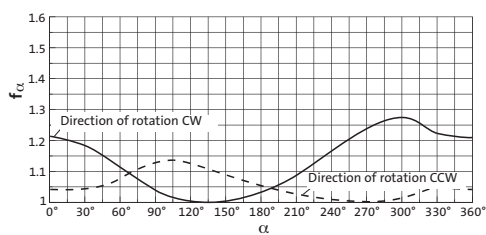
**$f_\alpha$**  Effective direction factor  $f_\alpha$  at driven shaft

2 and 3-stage helical gearbox GST 04...09 - 2, 3

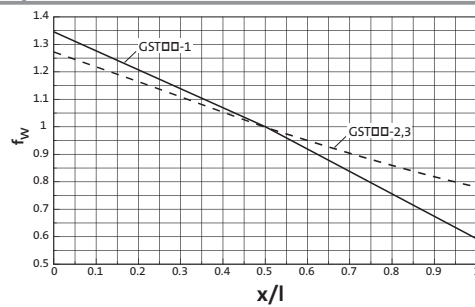


**$f_\alpha$**  Effective direction factor  $f_\alpha$  at driven shaft

2 and 3-stage helical gearbox GST 11...14 - 2, 3



**$f_w$**  Additional load factor  $f_w$  at driven shaft



# Technical data - Helical gearboxes

## Permissible radial and axial forces - Output



### 1-stage helical gearbox GST□□-1

V□□		Application of force $F_r$ : centre of shaft journal ( $x = l/2$ ) $F_{a Tab}$ only valid for $F_r = 0$									
$n_2$ [rpm]	GST04		GST05		GST06		GST07		GST09		
	$F_{r Tab}$ [N]	$F_{a Tab}$ [N]	$F_{r Tab}$ [N]	$F_{a Tab}$ [N]	$F_{r Tab}$ [N]	$F_{a Tab}$ [N]	$F_{r Tab}$ [N]	$F_{a Tab}$ [N]	$F_{r Tab}$ [N]	$F_{a Tab}$ [N]	
1000	290	660	360	930	530	1000	800	1300	1600	2800	
600	400	860	500	1300	530	1300	860	1800	1600	3800	
400	560	930	930	1300	730	1600	1200	2200	2300	4500	
200	700	930	1300	1300	1400	1600	2000	2400	4100	4600	
125	700	930	1500	1300	1900	1600	2600	2400	5200	4600	
80	700	930	1500	1300	2300	1600	3100	2400	6000	4600	
≤ 50	700	930	1500	1300	2300	1600	3500	2400	6300	4600	
$F_{r max.}$	700	–	1500	–	2300	–	3500	–	6300	–	

### 2 and 3-stage helical gearbox GST□□-2, 3 with standard bearings

V□□		Application of force $F_r$ : centre of shaft journal ( $x = l/2$ ) $F_{a Tab}$ only valid for $F_r = 0$													
$n_2$ [rpm]	GST04		GST05		GST06		GST07		GST09		GST11		GST14		
	$F_{r Tab}$ [N]	$F_{a Tab}$ [N]	$F_{r Tab}$ [N]	$F_{a Tab}$ [N]	$F_{r Tab}$ [N]	$F_{a Tab}$ [N]	$F_{r Tab}$ [N]	$F_{a Tab}$ [N]	$F_{r Tab}$ [N]	$F_{a Tab}$ [N]	$F_{r Tab}$ [N]	$F_{a Tab}$ [N]	$F_{r Tab}$ [N]	$F_{a Tab}$ [N]	
400	830	730	1300	1300	1500	560	2200	1200	4500	1500	11300	6300	16000	10000	
250	960	860	1400	1500	1700	600	2500	1400	5000	1800	12600	6600	18000	10600	
160	1100	1100	1700	1700	2000	830	3000	1900	6200	2600	14000	7300	20600	12000	
100	1400	1300	2000	2000	2400	1200	3600	2600	7600	3700	14000	9300	24000	13300	
63	1600	1300	2300	2400	2800	1700	4200	3500	7600	5400	14000	10600	26000	13300	
40	1700	1300	2500	2400	2900	2400	5000	4600	7600	7300	14000	10600	26600	13300	
25	1700	1300	2600	2400	2900	3200	6000	4600	7600	8000	14000	10600	26600	13300	
≤ 16	1700	1300	2600	2400	2900	3200	6300	4600	7600	8000	14000	10600	26600	13300	
$F_{r max.}$	1700	–	2600	–	2900	–	6300	–	7600	–	14000	–	26600	–	

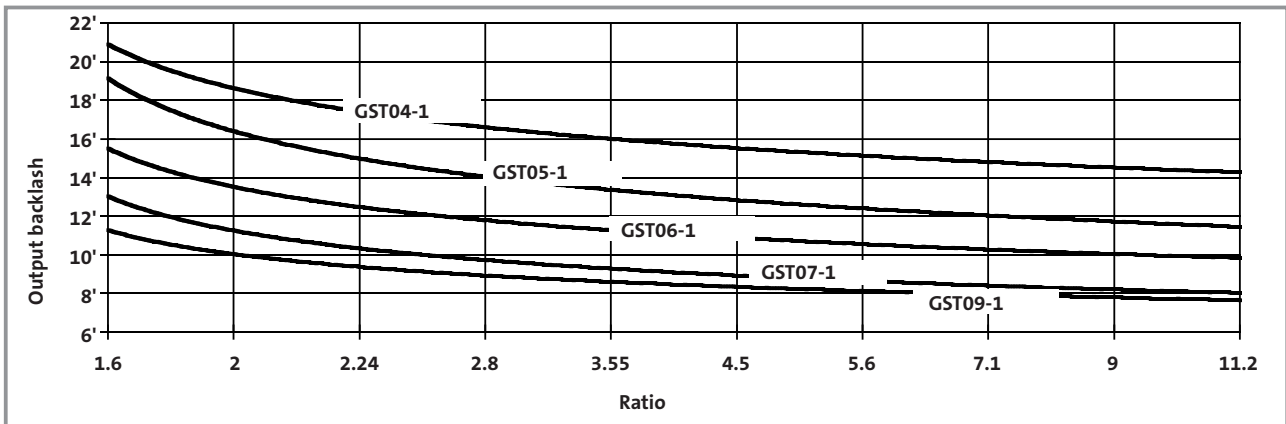
### 2 and 3-stage helical gearbox GST□□-2, 3 with reinforced bearings

V□□		Application of force $F_r$ : centre of shaft journal ( $x = l/2$ ) $F_{a Tab}$ only valid for $F_r = 0$													
$n_2$ [rpm]	GST04		GST05		GST06		GST07		GST09		GST11		GST14		
	$F_{r Tab}$ [N]	$F_{a Tab}$ [N]	$F_{r Tab}$ [N]	$F_{a Tab}$ [N]	$F_{r Tab}$ [N]	$F_{a Tab}$ [N]	$F_{r Tab}$ [N]	$F_{a Tab}$ [N]	$F_{r Tab}$ [N]	$F_{a Tab}$ [N]					
400	1900	1100	3200	2400	4200	2300	5600	3600	11000	5300	The standard bearing is a reinforced bearing.				
250	2100	1200	3600	2600	4600	2400	6300	4000	11300	6000					
160	2300	1400	3600	2800	5100	2800	7000	4700	11300	7000					
100	2500	1600	3600	3000	5100	3200	8300	5500	11300	8300					
63	2500	1600	3600	3000	5100	3800	8600	6000	11300	9300					
40	2500	1600	3600	3000	5100	3800	8600	6000	11300	9300					
25	2500	1600	3600	3000	5100	3800	8600	6000	11300	9300					
≤ 16	2500	1600	3600	3000	5100	3800	8600	6000	11300	9300					
$F_{r max.}$	2500	–	3600	–	5100	–	8600	–	11300	–					

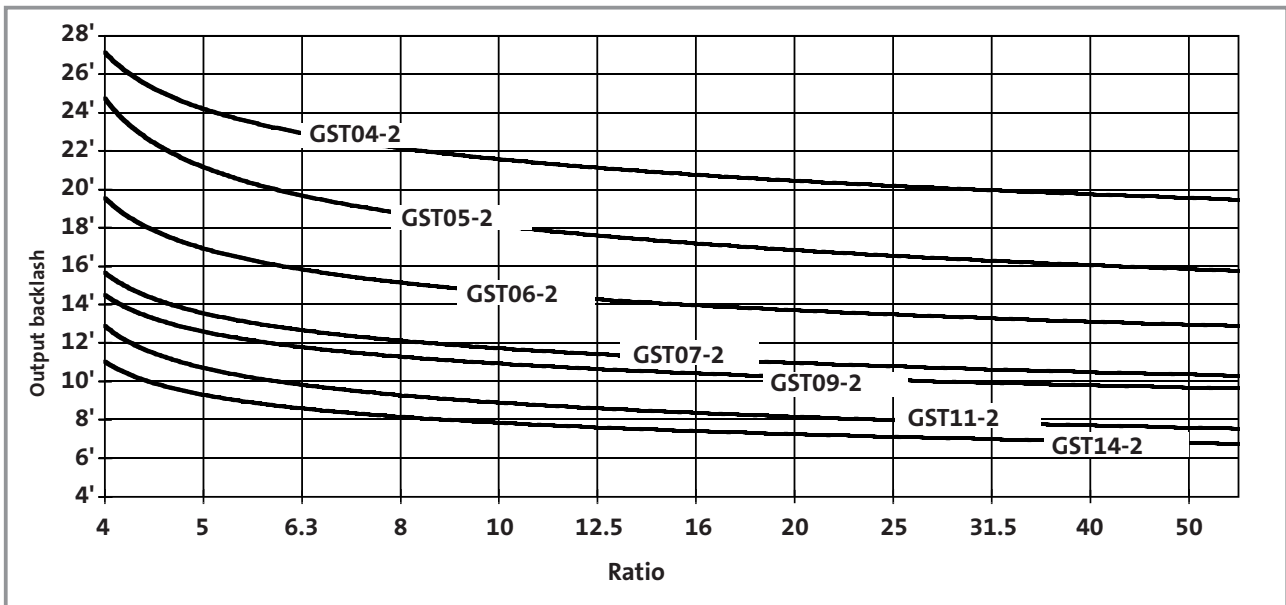
# Technical data - Helical gearboxes

## Output backlash in angular minutes

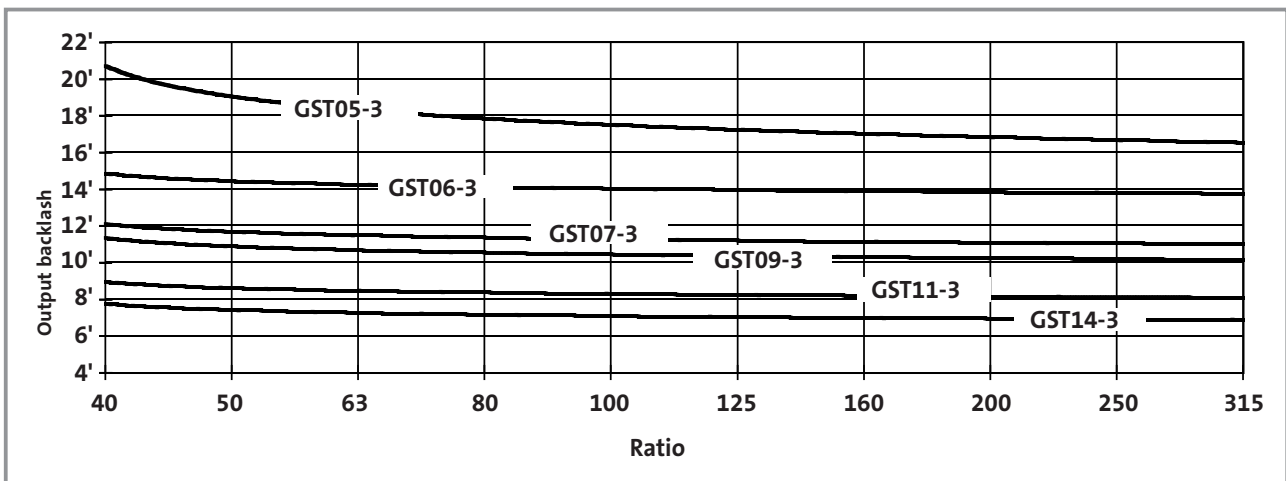
GST□□-1



GST□□-2



GST□□-3



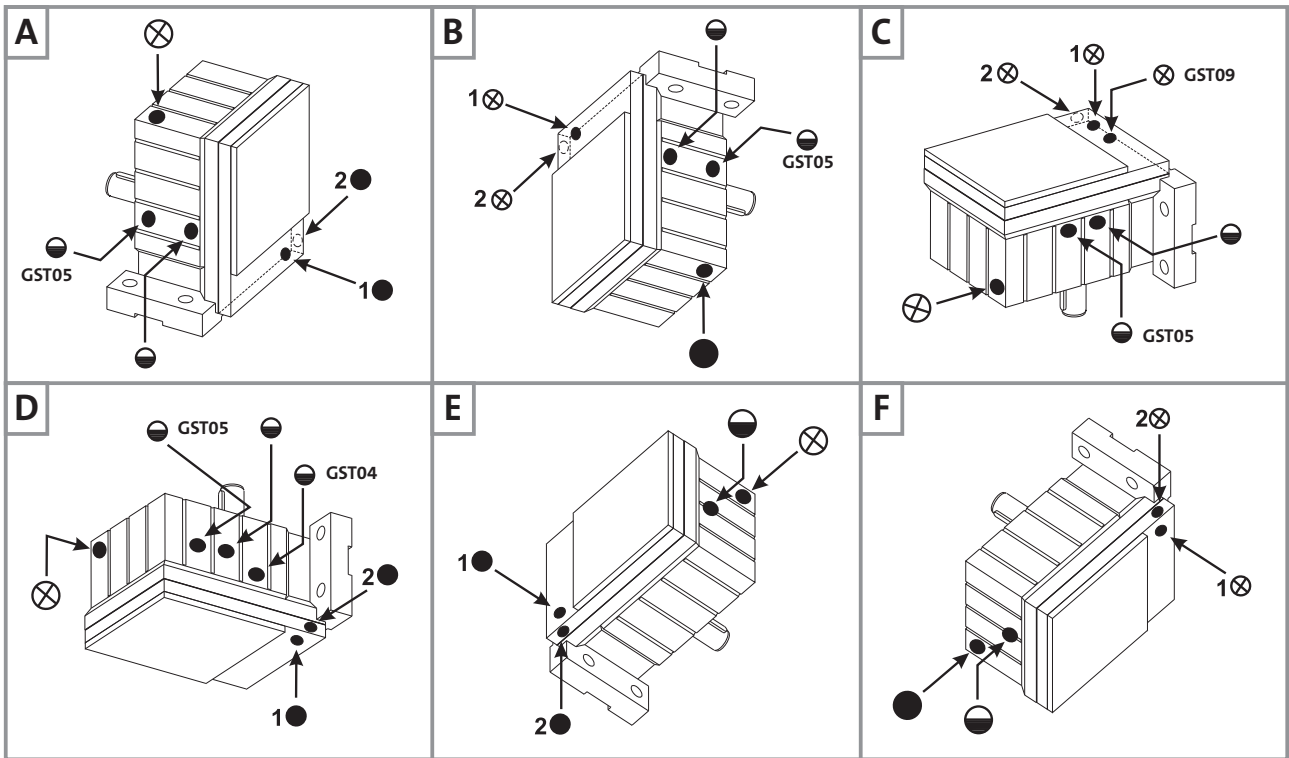


# Technical data - Helical gearboxes

Position of ventilation, sealing elements and oil control



GST04...09-1 with oil-sight glass  
 GST05...07-1 with ventilation (option), oil filler and oil drain plugs  
 GST09-1 with ventilation, oil filler and oil drain plugs



(A ... F) Mounting position  
 ⊗ Ventilation/oil filler plug  
 ● Oil drain plug

◐ Oil-sight glass

Pos. 1 standard

Pos. 2 only with GST05-1M □□□ 090/100  
 GST05-1N □□□ □D/□E  
 GST06-1M □□□ 112  
 GST07-1N □□□ □H

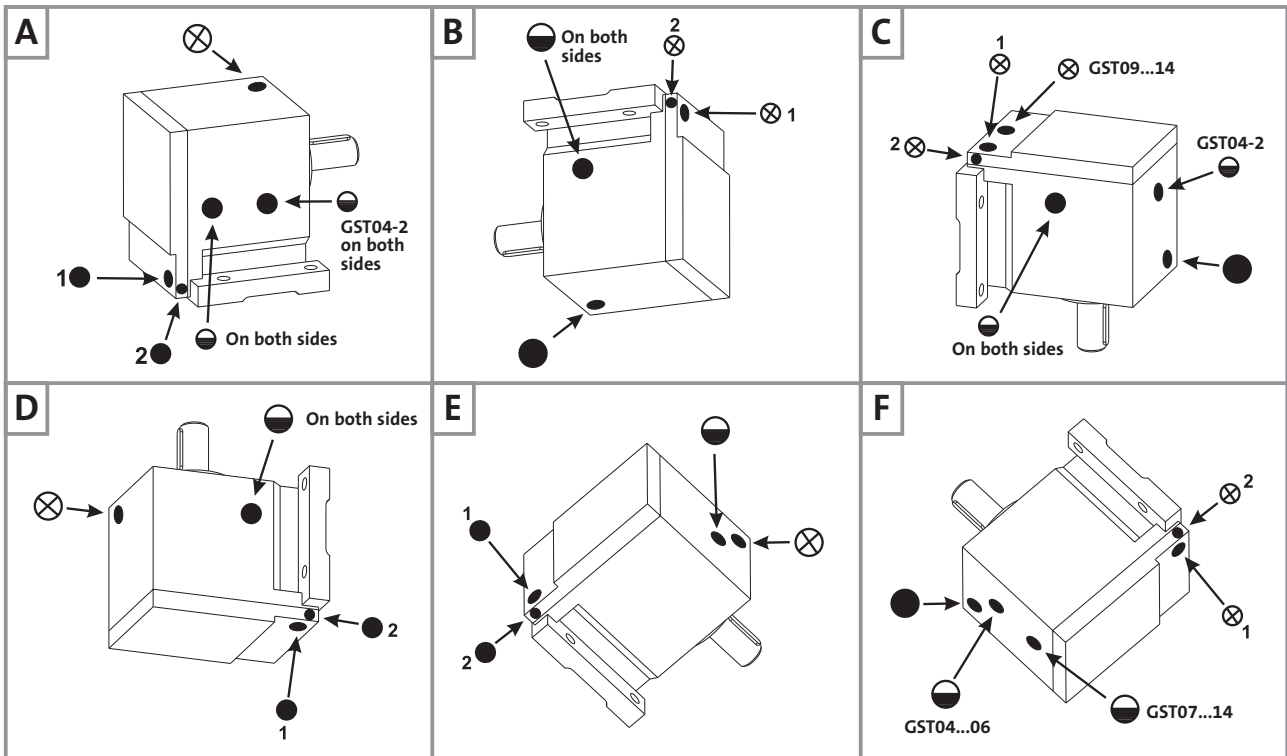
# Technical data - Helical gearboxes

Position of ventilation, sealing elements and oil control

GST04...14-2 with oil-sight glass

GST05...07-2 with ventilation (option), oil filler and oil drain plugs

GST09...14-2 with ventilation, oil filler and oil drain plugs



(A ... F) Mounting position  
 ⊗ Ventilation/oil filler plug  
 ● Oil drain plug

◐ Oil-sight glass

Pos. 1 standard

Pos. 2 only with GST05-2M □□□ 090/100

GST05-2N □□□ □D/□E

GST06-2M □□□ 112

GST07-2N □□□ □H

# Technical data - Helical gearboxes

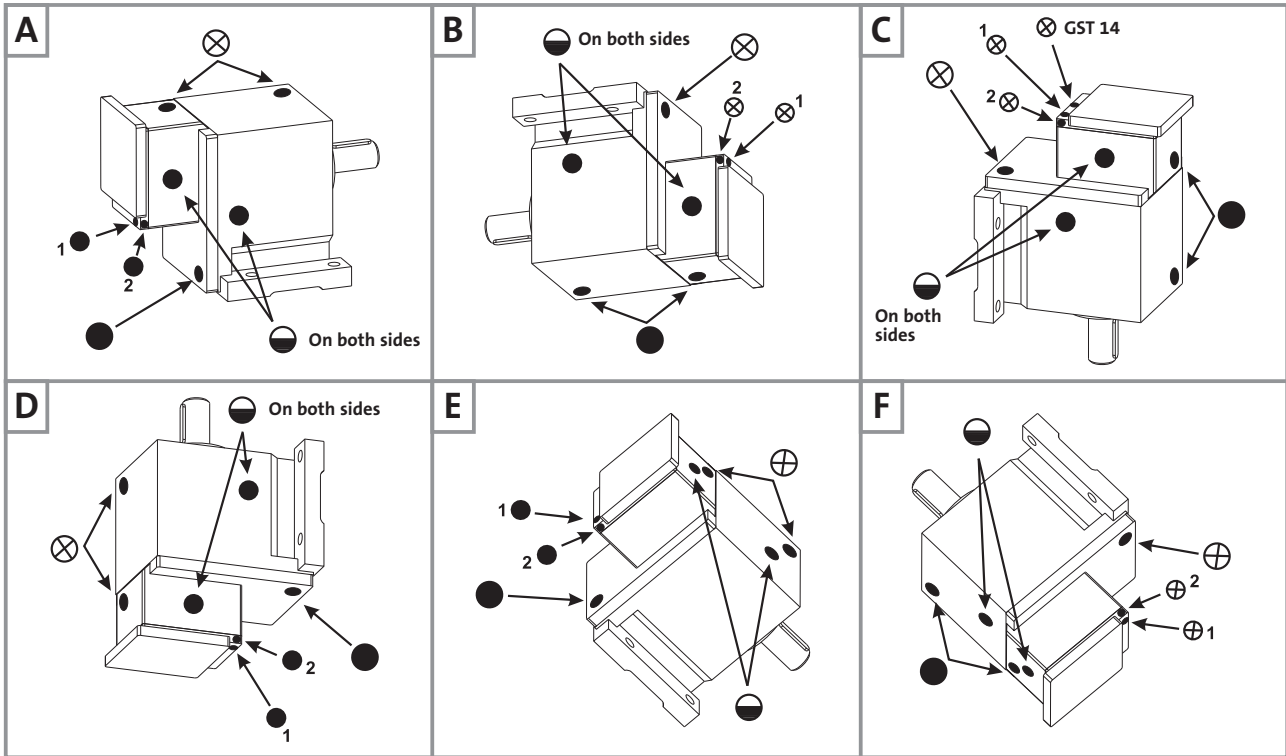
## Position of ventilation, sealing elements and oil control



GST05...14-3 with oil-sight glass

GST05...07-3 with ventilation (option), oil filler and oil drain plugs

GST09...14 -3 with ventilation, oil filler and oil drain plugs



(A ... F) Mounting position  
 ⊗ Ventilation/oil filler plug  
 ● Oil drain plug

◐ Oil-sight glass

Pos. 1 standard

Pos. 2 only with GST07-3M □□ □090/100

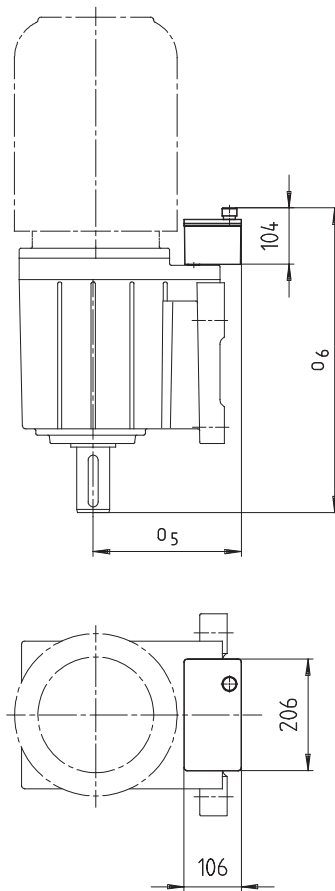
GST07-3N □□ □D/□E

GST09-3M □□ □112

GST11-3N □□ □H

## Technical data - Helical gearboxes

Reservoir for mounting position C



3

Helical gearbox		Motor frame size / drive size			
GST□□-2M		090 / 100	112		
GST□□-2N		□D / □E / □F		□G	□H / □K
09	o <sub>5</sub>	206	226	245	260
	o <sub>6</sub>	477	477	477	477
11	o <sub>5</sub>	208	230	254	268
	o <sub>6</sub>	536	540	540	540
14	o <sub>5</sub>		252	282	282
	o <sub>6</sub>		640	640	640

Terminal box position 4 is not permissible.



### GST□□-1M

GST□□-1M VBR						
Gearbox size	Motor frame size					
	063 □□□	071 □□□	080 □□□	090 □□□	100 □□□	112 -22
04	8,3	10	15	23		
05	12	14	19	27	36	
06	16	18	23	31	40	53
07			32	41	49	62
09				55	64	76
GST□□-1M VCR						
04	7,7	10	15	22		
05	11	13	18	26	35	
06	15	17	21	30	39	51
07			29	37	46	59
09				51	60	72

### GST□□-2M

GST□□-2M VAR / VBR						
Gearbox size	Motor frame size					
	063 □□□	071 □□□	080 □□□	090 □□□	100 □□□	112 -22
04	10	12	17	25		
05	15	18	22	30	39	
06	23	25	29	38	47	59
07			44	53	62	74
09				80	89	101
11					135	146
14						238
GST□□-2M VCR						
04	10	12	17	24		
05	14	16	21	29	38	
06	20	22	26	35	44	57
07			40	48	57	70
09				71	80	92
11					120	131
14						210

### GST□□-3M

GST□□-3M VAR / VBR						
Gearbox size	Motor frame size					
	063 □□□	071 □□□	080 □□□	090 □□□	100 □□□	112 -22
05	16	18	23			
06	26	28	33	41		
07	46	48	52	61	69	
09	78	80	84	93	102	114
11			139	147	156	169
14				253	262	274
GST□□-3M VCR						
05	15	17	22			
06	24	26	31	38		
07	41	44	48	56	65	
09	69	71	76	84	93	106
11			124	132	141	154
14				225	234	246

Weights in [kg] with oil capacity for mounting position A. All data is approximate.

Note the additional weights on page 3-13.



### GST□□-1N

GST□□-1N VBR														
Gearbox size	Drive size													
	1A	1B 2B	□C	□D	1E 2E 3E	4E	1F 2F	3F	1G 3G	2G	1H	2H	3H	1K
04	6.9	7.5	11	13										
05		11	14	17	19	23								
06		16	18	22	24	27	26	29						
07			28	31	33	37	35	38	58	55	66		62	
09				45	48	51	49	52	73	70	81	85	77	101

GST□□-1N VCR														
Gearbox size	Drive size													
	1A	1B 2B	□C	□D	1E 2E 3E	4E	1F 2F	3F	1G 3G	2G	1H	2H	3H	1K
04	6.3	6.9	10	13										
05		10	13	16	18	22								
06		14	16	20	22	26	24	27						
07			25	28	30	33	32	35	55	52	63		59	
09				41	43	47	44	48	68	65	76	80	72	97

### GST□□-2N

GST□□-2N VAR/VBR															
Gearbox size	Drive size														
	1A	1B 2B	□C	□D	1E 2E 3E	4E	1F 2F	3F	1G 3G	2G	1H	2H	3H	1K	2K
04	8.9	10	13	15											
05		15	18	20	23	26									
06		22	25	28	30	34	32	36							
07			40	43	45	49	47	51	70	67	78		74		
09				70	72	76	73	77	97	94	105	109	101	126	
11					118	122	119	122	142	139	150	154	146	170	177
14									231	228	239	243	235	258	265

GST□□-2N VCR															
Gearbox size	Drive size														
	1A	1B 2B	□C	□D	1E 2E 3E	4E	1F 2F	3F	1G 3G	2G	1H	2H	3H	1K	2K
04	8.2	8.8	12	14											
05		13	16	19	21	25									
06		19	22	25	28	31	29	33							
07			35	38	41	44	43	46	65	62	73		69		
09				61	64	67	65	69	89	86	97	101	93	117	
11					103	107	104	108	127	124	135	139	131	155	162
14									203	200	211	215	207	230	237

# Technical data - Helical gearboxes

## Weights - Gearboxes with mounting flange

### GST□□-3N

GST□□-3N VAR/VBR													
Gearbox size	Drive size												
	1A	1B 2B	□C	□D	1E 2E 3E	4E	1F 2F	3F	1G 3G	2G	1H	2H	3H
05	15	16	19										
06	25	26	29	31									
07		45	48	51	53	57							
09		77	80	83	85	89	87	91					
11			134	137	139	143	141	145	164	161			
14				243	246	249	247	250	271	268	279	283	275
GST□□-3N VCR													
05	13	14	17										
06	22	23	26	28									
07		41	43	46	49	52							
09		69	71	75	77	80	79	82					
11			119	122	125	128	126	130	149	146			
14				215	218	221	219	222	243	240	251	255	247

Weights in [kg] with oil capacity for mounting position A. All data is approximate.

Note the additional weights on page 3-13.





## Gearbox additional weights

Gearbox size	Flange VCK/VAL
04	1.0
05	1.5
06	3.0
07	4.0
09	7.0
11	11
14	16

Weights in [kg]

# Helical gearbox selection tables

Geared motors for Atex category 2G, 2D, 3G, 3D (zone 1, 21, 2, 22)

50 Hz			i	Helical geared motor	Consultation required for mounting position
n <sub>2</sub> [rpm]	M <sub>2</sub> [Nm]	c			

## P<sub>1</sub> = 0.12 kW

616	2	5.2	2.240	GST04 - 1M□□□ 063-12	
483	2	4.8	2.857	GST04 - 1M□□□ 063-12	
314	4	5.3	4.400	GST04 - 1M□□□ 063-12	
244	5	4.4	5.667	GST04 - 1M□□□ 063-12	
216	5	5.2	6.400	GST04 - 2M□□□ 063-12	
192	6	3.7	7.182	GST04 - 1M□□□ 063-12	
153	7	3.1	9.000	GST04 - 1M□□□ 063-12	
140	8	5.2	9.856	GST04 - 2M□□□ 063-12	
123	9	5.2	11.200	GST04 - 2M□□□ 063-12	
116	10	1.7	11.857	GST04 - 1M□□□ 063-12	
110	10	4.8	12.571	GST04 - 2M□□□ 063-12	
97	12	4.8	14.286	GST04 - 2M□□□ 063-12	
71	16	4.4	19.360	GST04 - 2M□□□ 063-12	
63	18	3.5	22.000	GST04 - 2M□□□ 063-12	
55	20	3.5	24.933	GST04 - 2M□□□ 063-12	
49	23	2.8	28.333	GST04 - 2M□□□ 063-12	
44	26	2.8	31.600	GST04 - 2M□□□ 063-12	
38	29	2.2	35.909	GST04 - 2M□□□ 063-12	
35	32	2.3	39.600	GST04 - 2M□□□ 063-12	
31	36	1.8	45.000	GST04 - 2M□□□ 063-12	
27	42	1.7	52.171	GST04 - 2M□□□ 063-12	
23	48	1.4	59.286	GST04 - 2M□□□ 063-12	
22	50	2.9	63.467	GST05 - 3M□□□ 063-12	
19	57	2.3	71.238	GST05 - 3M□□□ 063-12	
17	64	2.3	80.952	GST05 - 3M□□□ 063-12	
15	73	2.0	91.746	GST05 - 3M□□□ 063-12	
12	92	1.7	116.277	GST05 - 3M□□□ 063-12	
11	99	1.5	124.667	GST05 - 3M□□□ 063-12	
9.8	112	3.2	141.289	GST06 - 3M□□□ 063-12	
9.5	116	1.4	145.714	GST05 - 3M□□□ 063-12	
8.6	127	1.2	160.556	GST05 - 3M□□□ 063-12	
8.6	127	2.7	160.556	GST06 - 3M□□□ 063-12	
7.7	142	1.2	179.067	GST05 - 3M□□□ 063-12	
7.7	142	2.6	179.067	GST06 - 3M□□□ 063-12	
7.2	152	1.1	191.973	GST05 - 3M□□□ 063-12	
6.8	162	2.1	203.485	GST06 - 3M□□□ 063-12	
6.0	184	2.0	231.733	GST06 - 3M□□□ 063-12	
5.4	202	1.7	255.000	GST06 - 3M□□□ 063-12	
4.8	231	1.6	290.400	GST06 - 3M□□□ 063-12	
4.2	262	1.3	330.000	GST06 - 3M□□□ 063-12	
3.6	304	1.2	382.590	GST06 - 3M□□□ 063-12	
3.2	345	1.0	434.762	GST06 - 3M□□□ 063-12	

## P<sub>1</sub> = 0.18 kW

612	3	3.5	2.240	GST04 - 1M□□□ 063-32	
480	4	3.2	2.857	GST04 - 1M□□□ 063-32	
311	5	3.5	4.400	GST04 - 1M□□□ 063-32	
242	7	2.9	5.667	GST04 - 1M□□□ 063-32	
214	8	3.5	6.400	GST04 - 2M□□□ 063-32	
191	9	2.5	7.182	GST04 - 1M□□□ 063-32	
152	11	2.0	9.000	GST04 - 1M□□□ 063-32	
139	12	3.5	9.856	GST04 - 2M□□□ 063-32	
122	14	3.5	11.200	GST04 - 2M□□□ 063-32	
116	15	1.1	11.857	GST04 - 1M□□□ 063-32	
109	15	3.2	12.571	GST04 - 2M□□□ 063-32	
96	17	3.2	14.286	GST04 - 2M□□□ 063-32	
71	24	2.9	19.360	GST04 - 2M□□□ 063-32	
62	27	2.3	22.000	GST04 - 2M□□□ 063-32	
55	30	2.3	24.933	GST04 - 2M□□□ 063-32	
48	35	1.8	28.333	GST04 - 2M□□□ 063-32	
43	39	1.9	31.600	GST04 - 2M□□□ 063-32	
38	44	1.5	35.909	GST04 - 2M□□□ 063-32	
35	48	1.5	39.600	GST04 - 2M□□□ 063-32	
30	55	1.2	45.000	GST04 - 2M□□□ 063-32	
26	64	1.1	52.171	GST04 - 2M□□□ 063-32	
22	76	1.9	63.467	GST05 - 3M□□□ 063-32	
19	85	1.5	71.238	GST05 - 3M□□□ 063-32	
17	97	1.5	80.952	GST05 - 3M□□□ 063-32	
17	97	3.2	80.952	GST06 - 3M□□□ 063-32	

For dimensions, see page 3-78 onwards.

# Helical gearbox selection tables

Geared motors for Atex category 2G, 2D, 3G, 3D (zone 1, 21, 2, 22)



50 Hz			i	Helical geared motor	Consultation required for mounting position
n <sub>2</sub> [rpm]	M <sub>2</sub> [Nm]	c			

## P<sub>1</sub> = 0.18 kW

15	110	1.3	91.746	GST05 - 3M□□□ 063-32
13	132	2.5	109.707	GST06 - 3M□□□ 063-32
12	139	1.1	116.277	GST05 - 3M□□□ 063-32
11	150	2.3	124.667	GST06 - 3M□□□ 063-32
9.7	169	2.1	141.289	GST06 - 3M□□□ 063-32
8.5	193	1.8	160.556	GST06 - 3M□□□ 063-32
7.7	215	1.7	179.067	GST06 - 3M□□□ 063-32
6.7	244	1.4	203.485	GST06 - 3M□□□ 063-32
5.9	278	1.4	231.733	GST06 - 3M□□□ 063-32
5.4	306	1.1	255.000	GST06 - 3M□□□ 063-32
4.7	348	1.1	290.400	GST06 - 3M□□□ 063-32

## P<sub>1</sub> = 0.25 kW

844	3	5.3	1.600	GST04 - 1M□□□ 071-12
659	4	4.9	2.048	GST04 - 1M□□□ 071-12
603	4	4.8	2.240	GST04 - 1M□□□ 071-12
473	5	4.3	2.857	GST04 - 1M□□□ 071-12
457	5	5.6	2.956	GST04 - 2M□□□ 071-12
405	6	5.6	3.333	GST04 - 2M□□□ 071-12
386	6	3.9	3.500	GST04 - 1M□□□ 071-12
333	7	5.3	4.053	GST04 - 2M□□□ 071-12
307	8	3.3	4.400	GST04 - 1M□□□ 071-12
295	8	5.1	4.571	GST04 - 2M□□□ 071-12
260	9	4.6	5.187	GST04 - 2M□□□ 071-12
238	10	2.5	5.667	GST04 - 1M□□□ 071-12
231	10	4.4	5.850	GST04 - 2M□□□ 071-12
211	11	4.1	6.400	GST04 - 2M□□□ 071-12
192	12	3.9	7.040	GST04 - 2M□□□ 071-12
188	13	2.0	7.182	GST04 - 1M□□□ 071-12
169	14	3.6	8.000	GST04 - 2M□□□ 071-12
152	16	2.7	8.900	GST05 - 1M□□□ 071-12
150	16	1.5	9.000	GST04 - 1M□□□ 071-12
150	16	3.4	9.010	GST04 - 2M□□□ 071-12
137	17	3.2	9.856	GST04 - 2M□□□ 071-12
121	19	2.9	11.200	GST04 - 2M□□□ 071-12
120	20	3.2	11.250	GST06 - 1M□□□ 071-12
119	20	1.6	11.375	GST05 - 1M□□□ 071-12
107	22	2.7	12.571	GST04 - 2M□□□ 071-12
95	25	2.5	14.286	GST04 - 2M□□□ 071-12
88	26	2.4	15.400	GST04 - 2M□□□ 071-12
77	30	2.1	17.500	GST04 - 2M□□□ 071-12
70	33	2.1	19.360	GST04 - 2M□□□ 071-12
61	38	1.7	22.000	GST04 - 2M□□□ 071-12
54	43	1.7	24.933	GST04 - 2M□□□ 071-12
48	49	1.3	28.333	GST04 - 2M□□□ 071-12
48	49	3.0	28.333	GST05 - 2M□□□ 071-12
43	54	1.3	31.600	GST04 - 2M□□□ 071-12
42	55	2.8	32.267	GST05 - 2M□□□ 071-12
38	62	1.0	35.909	GST04 - 2M□□□ 071-12
37	63	2.4	36.667	GST05 - 2M□□□ 071-12
35	67	2.5	39.160	GST05 - 2M□□□ 071-12
34	68	1.1	39.600	GST04 - 2M□□□ 071-12
30	76	2.0	44.500	GST05 - 2M□□□ 071-12
27	85	3.2	49.500	GST06 - 2M□□□ 071-12
27	86	1.6	50.050	GST05 - 2M□□□ 071-12
24	97	3.2	56.250	GST06 - 2M□□□ 071-12
24	96	1.3	56.667	GST05 - 3M□□□ 071-12
24	98	1.5	56.875	GST05 - 2M□□□ 071-12
21	107	1.4	63.467	GST05 - 3M□□□ 071-12
20	115	2.8	67.760	GST06 - 3M□□□ 071-12
19	119	2.5	70.156	GST06 - 3M□□□ 071-12
19	120	1.1	71.238	GST05 - 3M□□□ 071-12
17	137	1.1	80.952	GST05 - 3M□□□ 071-12
17	137	2.4	80.952	GST06 - 3M□□□ 071-12
16	148	2.1	87.267	GST06 - 3M□□□ 071-12
14	168	2.0	99.167	GST06 - 3M□□□ 071-12
12	185	1.8	109.707	GST06 - 3M□□□ 071-12
11	211	1.6	124.667	GST06 - 3M□□□ 071-12
9.7	235	3.0	139.211	GST07 - 3M□□□ 071-12

For dimensions, see page 3-78 onwards.

# Helical gearbox selection tables

Geared motors for Atex category 2G, 2D, 3G, 3D (zone 1, 21, 2, 22)

50 Hz			i	Helical geared motor	Consultation required for mounting position
n <sub>2</sub> [rpm]	M <sub>2</sub> [Nm]	c			

## P<sub>1</sub> = 0.25 kW

9.6	239	1.5	141.289	GST06 - 3M□□□ 071-12	
8.5	267	2.7	158.194	GST07 - 3M□□□ 071-12	
8.4	271	1.3	160.556	GST06 - 3M□□□ 071-12	
7.5	303	1.2	179.067	GST06 - 3M□□□ 071-12	
7.5	305	2.3	180.156	GST07 - 3M□□□ 071-12	
6.6	344	1.0	203.485	GST06 - 3M□□□ 071-12	
6.6	346	2.1	204.722	GST07 - 3M□□□ 071-12	
5.7	400	1.8	236.622	GST07 - 3M□□□ 071-12	
5.4	420	1.7	248.458	GST07 - 3M□□□ 071-12	
5.0	454	1.6	268.889	GST07 - 3M□□□ 071-12	
4.1	552	1.3	326.333	GST07 - 3M□□□ 071-12	
4.1	552	2.9	326.333	GST09 - 3M□□□ 071-12	
3.7	614	2.6	363.000	GST09 - 3M□□□ 071-12	
3.7	620	1.1	367.033	GST07 - 3M□□□ 071-12	
3.3	697	2.3	412.500	GST09 - 3M□□□ 071-12	
3.2	705	1.0	417.083	GST07 - 3M□□□ 071-12	

## P<sub>1</sub> = 0.37 kW

844	4	3.6	1.600	GST04 - 1M□□□ 071-32	
659	5	3.3	2.048	GST04 - 1M□□□ 071-32	
603	6	3.3	2.240	GST04 - 1M□□□ 071-32	
473	7	2.9	2.857	GST04 - 1M□□□ 071-32	
457	8	3.8	2.956	GST04 - 2M□□□ 071-32	
405	9	3.8	3.333	GST04 - 2M□□□ 071-32	
386	9	2.6	3.500	GST04 - 1M□□□ 071-32	
333	10	3.6	4.053	GST04 - 2M□□□ 071-32	
307	11	2.2	4.400	GST04 - 1M□□□ 071-32	
295	12	3.4	4.571	GST04 - 2M□□□ 071-32	
260	13	3.1	5.187	GST04 - 2M□□□ 071-32	
238	15	1.7	5.667	GST04 - 1M□□□ 071-32	
238	15	3.0	5.667	GST05 - 1M□□□ 071-32	
231	15	3.0	5.850	GST04 - 2M□□□ 071-32	
211	16	2.8	6.400	GST04 - 2M□□□ 071-32	
192	18	2.6	7.040	GST04 - 2M□□□ 071-32	
188	19	1.4	7.182	GST04 - 1M□□□ 071-32	
184	19	2.5	7.333	GST05 - 1M□□□ 071-32	
184	19	3.0	7.333	GST06 - 1M□□□ 071-32	
169	20	2.4	8.000	GST04 - 2M□□□ 071-32	
152	23	1.8	8.900	GST05 - 1M□□□ 071-32	
152	23	2.7	8.900	GST06 - 1M□□□ 071-32	
150	23	1.0	9.000	GST04 - 1M□□□ 071-32	
150	23	2.3	9.010	GST04 - 2M□□□ 071-32	
137	25	2.1	9.856	GST04 - 2M□□□ 071-32	
121	28	2.0	11.200	GST04 - 2M□□□ 071-32	
120	29	2.1	11.250	GST06 - 1M□□□ 071-32	
119	29	1.1	11.375	GST05 - 1M□□□ 071-32	
107	32	1.8	12.571	GST04 - 2M□□□ 071-32	
95	36	1.7	14.286	GST04 - 2M□□□ 071-32	
94	37	3.0	14.356	GST05 - 2M□□□ 071-32	
88	39	1.6	15.400	GST04 - 2M□□□ 071-32	
83	41	3.0	16.190	GST05 - 2M□□□ 071-32	
77	44	1.4	17.500	GST04 - 2M□□□ 071-32	
70	49	1.4	19.360	GST04 - 2M□□□ 071-32	
67	51	2.6	20.044	GST05 - 2M□□□ 071-32	
61	56	1.1	22.000	GST04 - 2M□□□ 071-32	
59	58	2.4	22.778	GST05 - 2M□□□ 071-32	
54	63	1.1	24.933	GST04 - 2M□□□ 071-32	
54	63	2.3	24.933	GST05 - 2M□□□ 071-32	
48	72	2.0	28.333	GST05 - 2M□□□ 071-32	
42	82	1.9	32.267	GST05 - 2M□□□ 071-32	
42	82	3.0	32.267	GST06 - 2M□□□ 071-32	
37	93	1.6	36.667	GST05 - 2M□□□ 071-32	
37	93	3.0	36.667	GST06 - 2M□□□ 071-32	
35	99	1.7	39.160	GST05 - 2M□□□ 071-32	
35	99	2.7	39.160	GST06 - 2M□□□ 071-32	
30	113	1.3	44.500	GST05 - 2M□□□ 071-32	
30	113	2.7	44.500	GST06 - 2M□□□ 071-32	
27	126	2.1	49.500	GST06 - 2M□□□ 071-32	
27	127	1.1	50.050	GST05 - 2M□□□ 071-32	

For dimensions, see page 3-78 onwards.

# Helical gearbox selection tables

Geared motors for Atex category 2G, 2D, 3G, 3D (zone 1, 21, 2, 22)



50 Hz			i	Helical geared motor	Consultation required for mounting position
n <sub>2</sub> [rpm]	M <sub>2</sub> [Nm]	c			

## P<sub>1</sub> = 0.37 kW

24	143	2.1	56.250	GST06 - 2M□□□ 071-32	
24	144	1.0	56.875	GST05 - 2M□□□ 071-32	
20	170	1.9	67.760	GST06 - 3M□□□ 071-32	
19	176	1.7	70.156	GST06 - 3M□□□ 071-32	
17	203	1.6	80.952	GST06 - 3M□□□ 071-32	
16	218	1.4	87.267	GST06 - 3M□□□ 071-32	
14	248	1.4	99.167	GST06 - 3M□□□ 071-32	
12	274	1.2	109.707	GST06 - 3M□□□ 071-32	
12	280	2.5	111.915	GST07 - 3M□□□ 071-32	
11	312	1.1	124.667	GST06 - 3M□□□ 071-32	
11	318	2.2	127.176	GST07 - 3M□□□ 071-32	
9.7	348	2.0	139.211	GST07 - 3M□□□ 071-32	
9.6	353	1.0	141.289	GST06 - 3M□□□ 071-32	
8.5	396	1.8	158.194	GST07 - 3M□□□ 071-32	
7.5	451	1.6	180.156	GST07 - 3M□□□ 071-32	
7.4	457	3.0	182.844	GST09 - 3M□□□ 071-32	
6.6	512	1.4	204.722	GST07 - 3M□□□ 071-32	
6.5	520	3.0	207.778	GST09 - 3M□□□ 071-32	
5.7	592	1.2	236.622	GST07 - 3M□□□ 071-32	
5.7	592	2.7	236.622	GST09 - 3M□□□ 071-32	
5.4	621	1.1	248.458	GST07 - 3M□□□ 071-32	
5.4	631	2.6	252.167	GST09 - 3M□□□ 071-32	
5.0	673	1.1	268.889	GST07 - 3M□□□ 071-32	
5.0	673	2.4	268.889	GST09 - 3M□□□ 071-32	
4.1	816	2.0	326.333	GST09 - 3M□□□ 071-32	
3.7	908	1.8	363.000	GST09 - 3M□□□ 071-32	
3.3	1032	1.6	412.500	GST09 - 3M□□□ 071-32	

## P<sub>1</sub> = 0.55 kW

856	6	2.4	1.600	GST04 - 1M□□□ 080-12	
669	8	2.3	2.048	GST04 - 1M□□□ 080-12	
612	9	2.2	2.240	GST04 - 1M□□□ 080-12	
480	11	2.0	2.857	GST04 - 1M□□□ 080-12	
464	11	2.9	2.956	GST04 - 2M□□□ 080-12	
411	12	2.8	3.333	GST04 - 2M□□□ 080-12	
391	13	1.8	3.500	GST04 - 1M□□□ 080-12	
338	15	2.5	4.053	GST04 - 2M□□□ 080-12	
311	17	1.5	4.400	GST04 - 1M□□□ 080-12	
301	17	3.1	4.556	GST05 - 1M□□□ 080-12	
300	17	2.3	4.571	GST04 - 2M□□□ 080-12	
264	19	2.1	5.187	GST04 - 2M□□□ 080-12	
242	21	1.2	5.667	GST04 - 1M□□□ 080-12	
242	21	2.5	5.667	GST05 - 1M□□□ 080-12	
234	22	2.0	5.850	GST04 - 2M□□□ 080-12	
214	24	1.9	6.400	GST04 - 2M□□□ 080-12	
195	26	1.8	7.040	GST04 - 2M□□□ 080-12	
187	28	1.7	7.333	GST05 - 1M□□□ 080-12	
187	28	3.1	7.333	GST06 - 1M□□□ 080-12	
171	30	1.6	8.000	GST04 - 2M□□□ 080-12	
168	30	3.2	8.163	GST05 - 2M□□□ 080-12	
154	34	1.3	8.900	GST05 - 1M□□□ 080-12	
154	34	2.5	8.900	GST06 - 1M□□□ 080-12	
152	34	1.5	9.010	GST04 - 2M□□□ 080-12	
152	34	3.0	9.010	GST05 - 2M□□□ 080-12	
139	37	1.5	9.856	GST04 - 2M□□□ 080-12	
137	37	2.8	10.000	GST05 - 2M□□□ 080-12	
122	42	1.3	11.200	GST04 - 2M□□□ 080-12	
122	42	2.6	11.200	GST05 - 2M□□□ 080-12	
122	43	1.5	11.250	GST06 - 1M□□□ 080-12	
122	43	2.6	11.250	GST07 - 1M□□□ 080-12	
109	47	1.3	12.571	GST04 - 2M□□□ 080-12	
105	48	2.4	13.016	GST05 - 2M□□□ 080-12	
96	53	1.1	14.286	GST04 - 2M□□□ 080-12	
95	53	2.2	14.356	GST05 - 2M□□□ 080-12	
89	57	1.1	15.400	GST04 - 2M□□□ 080-12	
85	60	2.1	16.190	GST05 - 2M□□□ 080-12	
78	65	1.9	17.500	GST05 - 2M□□□ 080-12	
68	75	1.8	20.044	GST05 - 2M□□□ 080-12	
60	85	1.6	22.778	GST05 - 2M□□□ 080-12	

For dimensions, see page 3-78 onwards.

# Helical gearbox selection tables

Geared motors for Atex category 2G, 2D, 3G, 3D (zone 1, 21, 2, 22)

50 Hz			i	Helical geared motor	Consultation required for mounting position
n <sub>2</sub> [rpm]	M <sub>2</sub> [Nm]	c			

## P<sub>1</sub> = 0.55 kW

55	93	1.5	24.933	GST05 - 2M□□□ 080-12	
48	105	1.4	28.333	GST05 - 2M□□□ 080-12	
48	105	2.9	28.333	GST06 - 2M□□□ 080-12	
43	120	1.3	32.267	GST05 - 2M□□□ 080-12	
43	120	2.9	32.267	GST06 - 2M□□□ 080-12	
37	136	1.1	36.667	GST05 - 2M□□□ 080-12	
37	136	2.4	36.667	GST06 - 2M□□□ 080-12	
35	146	1.1	39.160	GST05 - 2M□□□ 080-12	
35	146	2.5	39.160	GST06 - 2M□□□ 080-12	
31	166	2.0	44.500	GST06 - 2M□□□ 080-12	
28	184	1.5	49.500	GST06 - 2M□□□ 080-12	
28	184	2.6	49.500	GST07 - 2M□□□ 080-12	
24	209	1.5	56.250	GST06 - 2M□□□ 080-12	
24	209	2.6	56.250	GST07 - 2M□□□ 080-12	
21	238	3.0	65.079	GST07 - 3M□□□ 080-12	
20	248	1.3	67.760	GST06 - 3M□□□ 080-12	
20	257	1.2	70.156	GST06 - 3M□□□ 080-12	
20	257	2.6	70.156	GST07 - 3M□□□ 080-12	
17	292	2.4	79.762	GST07 - 3M□□□ 080-12	
17	297	1.1	80.952	GST06 - 3M□□□ 080-12	
16	315	2.2	85.983	GST07 - 3M□□□ 080-12	
14	358	2.0	97.708	GST07 - 3M□□□ 080-12	
12	410	1.7	111.915	GST07 - 3M□□□ 080-12	
11	466	1.5	127.176	GST07 - 3M□□□ 080-12	
9.8	510	1.4	139.211	GST07 - 3M□□□ 080-12	
9.7	518	2.9	141.289	GST09 - 3M□□□ 080-12	
8.7	580	1.2	158.194	GST07 - 3M□□□ 080-12	
8.5	588	2.8	160.556	GST09 - 3M□□□ 080-12	
7.6	660	1.1	180.156	GST07 - 3M□□□ 080-12	
7.5	670	2.4	182.844	GST09 - 3M□□□ 080-12	
6.6	761	2.1	207.778	GST09 - 3M□□□ 080-12	
5.8	867	1.9	236.622	GST09 - 3M□□□ 080-12	
5.8	867	3.1	236.622	GST11 - 3M□□□ 080-12	
5.4	924	1.8	252.167	GST09 - 3M□□□ 080-12	
5.4	924	3.0	252.167	GST11 - 3M□□□ 080-12	
5.1	985	1.6	268.889	GST09 - 3M□□□ 080-12	
5.1	985	2.9	268.889	GST11 - 3M□□□ 080-12	
4.2	1196	1.4	326.333	GST09 - 3M□□□ 080-12	
4.2	1196	2.4	326.333	GST11 - 3M□□□ 080-12	
3.8	1330	1.2	363.000	GST09 - 3M□□□ 080-12	
3.8	1330	2.0	363.000	GST11 - 3M□□□ 080-12	
3.3	1511	1.1	412.500	GST09 - 3M□□□ 080-12	
3.3	1511	1.9	412.500	GST11 - 3M□□□ 080-12	

## P<sub>1</sub> = 0.75 kW

856	8	1.8	1.600	GST04 - 1M□□□ 080-32	
669	11	1.7	2.048	GST04 - 1M□□□ 080-32	
612	12	1.6	2.240	GST04 - 1M□□□ 080-32	
480	15	1.5	2.857	GST04 - 1M□□□ 080-32	
480	15	3.2	2.857	GST05 - 1M□□□ 080-32	
464	15	2.2	2.956	GST04 - 2M□□□ 080-32	
411	17	2.0	3.333	GST04 - 2M□□□ 080-32	
391	18	1.3	3.500	GST04 - 1M□□□ 080-32	
391	18	2.8	3.500	GST05 - 1M□□□ 080-32	
338	21	1.8	4.053	GST04 - 2M□□□ 080-32	
311	23	1.1	4.400	GST04 - 1M□□□ 080-32	
301	24	2.3	4.556	GST05 - 1M□□□ 080-32	
300	23	1.7	4.571	GST04 - 2M□□□ 080-32	
264	26	1.6	5.187	GST04 - 2M□□□ 080-32	
264	26	2.8	5.187	GST05 - 2M□□□ 080-32	
242	29	1.9	5.667	GST05 - 1M□□□ 080-32	
242	29	2.8	5.667	GST06 - 1M□□□ 080-32	
234	30	1.5	5.850	GST04 - 2M□□□ 080-32	
234	30	2.8	5.850	GST05 - 2M□□□ 080-32	
214	33	1.4	6.400	GST04 - 2M□□□ 080-32	
214	33	2.7	6.400	GST05 - 2M□□□ 080-32	
195	36	1.3	7.040	GST04 - 2M□□□ 080-32	
189	37	2.5	7.238	GST05 - 2M□□□ 080-32	
187	38	1.2	7.333	GST05 - 1M□□□ 080-32	

For dimensions, see page 3-78 onwards.

# Helical gearbox selection tables

Geared motors for Atex category 2G, 2D, 3G, 3D (zone 1, 21, 2, 22)



50 Hz			i	Helical geared motor	Consultation required for mounting position
n <sub>2</sub> [rpm]	M <sub>2</sub> [Nm]	c			

**P<sub>1</sub> = 0.75 kW**

187	38	2.3	7.333	GST06 - 1M□□□ 080-32	
187	38	2.8	7.333	GST07 - 1M□□□ 080-32	
171	41	1.2	8.000	GST04 - 2M□□□ 080-32	
168	41	2.3	8.163	GST05 - 2M□□□ 080-32	
154	46	1.9	8.900	GST06 - 1M□□□ 080-32	
154	46	2.4	8.900	GST07 - 1M□□□ 080-32	
152	46	1.1	9.010	GST04 - 2M□□□ 080-32	
152	46	2.2	9.010	GST05 - 2M□□□ 080-32	
139	50	1.1	9.856	GST04 - 2M□□□ 080-32	
137	51	2.0	10.000	GST05 - 2M□□□ 080-32	
122	57	1.9	11.200	GST05 - 2M□□□ 080-32	
122	58	1.1	11.250	GST06 - 1M□□□ 080-32	
122	58	1.9	11.250	GST07 - 1M□□□ 080-32	
105	66	1.7	13.016	GST05 - 2M□□□ 080-32	
95	73	1.6	14.356	GST05 - 2M□□□ 080-32	
85	82	1.5	16.190	GST05 - 2M□□□ 080-32	
78	89	1.4	17.500	GST05 - 2M□□□ 080-32	
68	102	1.3	20.044	GST05 - 2M□□□ 080-32	
68	102	2.9	20.044	GST06 - 2M□□□ 080-32	
60	116	1.2	22.778	GST05 - 2M□□□ 080-32	
60	116	2.5	22.778	GST06 - 2M□□□ 080-32	
55	127	1.1	24.933	GST05 - 2M□□□ 080-32	
55	127	2.5	24.933	GST06 - 2M□□□ 080-32	
48	144	1.0	28.333	GST05 - 2M□□□ 080-32	
48	144	2.1	28.333	GST06 - 2M□□□ 080-32	
43	164	2.1	32.267	GST06 - 2M□□□ 080-32	
43	164	2.8	32.267	GST07 - 2M□□□ 080-32	
37	186	1.7	36.667	GST06 - 2M□□□ 080-32	
37	186	2.8	36.667	GST07 - 2M□□□ 080-32	
35	199	1.9	39.160	GST06 - 2M□□□ 080-32	
35	199	2.4	39.160	GST07 - 2M□□□ 080-32	
31	226	1.4	44.500	GST06 - 2M□□□ 080-32	
31	226	2.4	44.500	GST07 - 2M□□□ 080-32	
28	251	1.1	49.500	GST06 - 2M□□□ 080-32	
28	251	1.9	49.500	GST07 - 2M□□□ 080-32	
24	285	1.1	56.250	GST06 - 2M□□□ 080-32	
24	285	1.9	56.250	GST07 - 2M□□□ 080-32	
21	325	2.2	65.079	GST07 - 3M□□□ 080-32	
20	351	1.9	70.156	GST07 - 3M□□□ 080-32	
17	399	1.8	79.762	GST07 - 3M□□□ 080-32	
16	430	1.6	85.983	GST07 - 3M□□□ 080-32	
15	467	2.8	93.541	GST09 - 3M□□□ 080-32	
14	488	1.5	97.708	GST07 - 3M□□□ 080-32	
12	559	1.3	111.915	GST07 - 3M□□□ 080-32	
12	568	2.4	113.585	GST09 - 3M□□□ 080-32	
11	635	1.1	127.176	GST07 - 3M□□□ 080-32	
11	645	2.4	129.074	GST09 - 3M□□□ 080-32	
9.8	696	1.0	139.211	GST07 - 3M□□□ 080-32	
9.7	706	2.1	141.289	GST09 - 3M□□□ 080-32	
8.5	802	2.0	160.556	GST09 - 3M□□□ 080-32	
7.5	914	1.8	182.844	GST09 - 3M□□□ 080-32	
6.6	1038	1.6	207.778	GST09 - 3M□□□ 080-32	
6.6	1038	2.7	207.778	GST11 - 3M□□□ 080-32	
5.8	1182	1.4	236.622	GST09 - 3M□□□ 080-32	
5.8	1182	2.3	236.622	GST11 - 3M□□□ 080-32	
5.4	1260	1.3	252.167	GST09 - 3M□□□ 080-32	
5.4	1260	2.2	252.167	GST11 - 3M□□□ 080-32	
5.1	1343	1.2	268.889	GST09 - 3M□□□ 080-32	
5.1	1343	2.1	268.889	GST11 - 3M□□□ 080-32	
4.2	1630	1.7	326.333	GST11 - 3M□□□ 080-32	
3.8	1814	1.5	363.000	GST11 - 3M□□□ 080-32	
3.3	2061	1.4	412.500	GST11 - 3M□□□ 080-32	

**P<sub>1</sub> = 1.1 kW**

878	12	1.2	1.600	GST04 - 1M□□□ 090-12	
878	12	3.0	1.600	GST05 - 1M□□□ 090-12	
686	15	1.2	2.048	GST04 - 1M□□□ 090-12	
686	15	2.7	2.048	GST05 - 1M□□□ 090-12	
627	17	1.1	2.240	GST04 - 1M□□□ 090-12	

For dimensions, see page 3-78 onwards.



# Helical gearbox selection tables

Geared motors for Atex category 2G, 2D, 3G, 3D (zone 1, 21, 2, 22)

50 Hz			i	Helical geared motor	Consultation required for mounting position
n <sub>2</sub> [rpm]	M <sub>2</sub> [Nm]	c			

## P<sub>1</sub> = 1.1 kW

627	17	2.7	2.240	GST05 - 1M□□□ 090-12	
492	21	1.0	2.857	GST04 - 1M□□□ 090-12	
492	21	2.2	2.857	GST05 - 1M□□□ 090-12	
475	21	1.5	2.956	GST04 - 2M□□□ 090-12	
475	21	2.5	2.956	GST05 - 2M□□□ 090-12	
422	24	1.4	3.333	GST04 - 2M□□□ 090-12	
422	24	2.7	3.333	GST05 - 2M□□□ 090-12	
401	26	2.0	3.500	GST05 - 1M□□□ 090-12	
401	26	3.2	3.500	GST06 - 1M□□□ 090-12	
347	29	1.3	4.053	GST04 - 2M□□□ 090-12	
347	29	2.3	4.053	GST05 - 2M□□□ 090-12	
308	34	1.6	4.556	GST05 - 1M□□□ 090-12	
308	34	2.5	4.556	GST06 - 1M□□□ 090-12	
307	33	1.2	4.571	GST04 - 2M□□□ 090-12	
307	33	2.3	4.571	GST05 - 2M□□□ 090-12	
271	38	1.1	5.187	GST04 - 2M□□□ 090-12	
271	38	2.0	5.187	GST05 - 2M□□□ 090-12	
248	42	1.3	5.667	GST05 - 1M□□□ 090-12	
248	42	2.1	5.667	GST06 - 1M□□□ 090-12	
240	42	1.0	5.850	GST04 - 2M□□□ 090-12	
240	42	2.0	5.850	GST05 - 2M□□□ 090-12	
220	46	1.9	6.400	GST05 - 2M□□□ 090-12	
194	53	1.7	7.238	GST05 - 2M□□□ 090-12	
192	54	1.6	7.333	GST06 - 1M□□□ 090-12	
192	54	2.6	7.333	GST07 - 1M□□□ 090-12	
172	59	1.6	8.163	GST05 - 2M□□□ 090-12	
158	66	1.3	8.900	GST06 - 1M□□□ 090-12	
158	66	2.2	8.900	GST07 - 1M□□□ 090-12	
158	66	2.7	8.900	GST09 - 1M□□□ 090-12	
156	65	1.5	9.010	GST05 - 2M□□□ 090-12	
141	73	1.4	10.000	GST05 - 2M□□□ 090-12	
141	73	3.2	10.000	GST06 - 2M□□□ 090-12	
125	81	1.3	11.200	GST05 - 2M□□□ 090-12	
125	81	2.9	11.200	GST06 - 2M□□□ 090-12	
125	83	1.6	11.250	GST07 - 1M□□□ 090-12	
125	83	2.2	11.250	GST09 - 1M□□□ 090-12	
112	91	2.7	12.571	GST06 - 2M□□□ 090-12	
108	94	1.2	13.016	GST05 - 2M□□□ 090-12	
98	104	2.5	14.286	GST06 - 2M□□□ 090-12	
98	104	1.1	14.356	GST05 - 2M□□□ 090-12	
91	112	2.4	15.400	GST06 - 2M□□□ 090-12	
87	117	1.1	16.190	GST05 - 2M□□□ 090-12	
80	127	2.1	17.500	GST06 - 2M□□□ 090-12	
70	145	2.0	20.044	GST06 - 2M□□□ 090-12	
62	165	1.7	22.778	GST06 - 2M□□□ 090-12	
56	181	1.7	24.933	GST06 - 2M□□□ 090-12	
50	206	1.5	28.333	GST06 - 2M□□□ 090-12	
44	234	1.5	32.267	GST06 - 2M□□□ 090-12	
44	234	2.6	32.267	GST07 - 2M□□□ 090-12	
38	266	1.2	36.667	GST06 - 2M□□□ 090-12	
38	266	2.6	36.667	GST07 - 2M□□□ 090-12	
36	284	1.3	39.160	GST06 - 2M□□□ 090-12	
36	284	2.2	39.160	GST07 - 2M□□□ 090-12	
36	284	2.7	39.160	GST09 - 2M□□□ 090-12	
32	323	1.0	44.500	GST06 - 2M□□□ 090-12	
32	323	2.2	44.500	GST07 - 2M□□□ 090-12	
32	323	2.7	44.500	GST09 - 2M□□□ 090-12	
28	359	1.7	49.500	GST07 - 2M□□□ 090-12	
28	359	2.2	49.500	GST09 - 2M□□□ 090-12	
25	408	1.7	56.250	GST07 - 2M□□□ 090-12	
25	408	2.2	56.250	GST09 - 2M□□□ 090-12	
24	414	5.1	57.968	GST11 - 3M□□□ 090-12	
23	431	2.9	60.278	GST09 - 3M□□□ 090-12	
22	465	1.5	65.079	GST07 - 3M□□□ 090-12	
20	501	1.3	70.156	GST07 - 3M□□□ 090-12	
20	514	2.3	71.867	GST09 - 3M□□□ 090-12	
18	570	1.2	79.762	GST07 - 3M□□□ 090-12	
17	584	2.3	81.667	GST09 - 3M□□□ 090-12	
16	614	1.1	85.983	GST07 - 3M□□□ 090-12	
15	668	2.0	93.541	GST09 - 3M□□□ 090-12	

For dimensions, see page 3-78 onwards.



# Helical gearbox selection tables

Geared motors for Atex category 2G, 2D, 3G, 3D (zone 1, 21, 2, 22)



50 Hz			i	Helical geared motor	Consultation required for mounting position
n <sub>2</sub> [rpm]	M <sub>2</sub> [Nm]	c			

### P<sub>1</sub> = 1.1 kW

14	698	1.0	97.708	GST07 - 3M□□□ 090-12	
14	709	2.0	99.167	GST09 - 3M□□□ 090-12	
12	812	1.7	113.585	GST09 - 3M□□□ 090-12	
11	922	1.7	129.074	GST09 - 3M□□□ 090-12	
11	922	3.0	129.074	GST11 - 3M□□□ 090-12	
9.9	1010	1.5	141.289	GST09 - 3M□□□ 090-12	
9.6	1050	2.5	146.993	GST11 - 3M□□□ 090-12	
8.9	1130	2.5	158.194	GST11 - 3M□□□ 090-12	
8.8	1147	1.4	160.556	GST09 - 3M□□□ 090-12	
7.8	1287	2.1	180.156	GST11 - 3M□□□ 090-12	
7.7	1306	1.2	182.844	GST09 - 3M□□□ 090-12	
6.8	1485	1.1	207.778	GST09 - 3M□□□ 090-12	
6.8	1485	1.9	207.778	GST11 - 3M□□□ 090-12	
5.9	1691	1.6	236.622	GST11 - 3M□□□ 090-12	
5.7	1775	2.7	248.458	GST14 - 3M□□□ 090-12	
5.6	1802	1.6	252.167	GST11 - 3M□□□ 090-12	
5.2	1921	1.5	268.889	GST11 - 3M□□□ 090-12	
5.2	1921	3.1	268.889	GST14 - 3M□□□ 090-12	
4.3	2332	1.2	326.333	GST11 - 3M□□□ 090-12	
4.3	2332	2.5	326.333	GST14 - 3M□□□ 090-12	
3.9	2594	1.0	363.000	GST11 - 3M□□□ 090-12	
3.9	2594	2.2	363.000	GST14 - 3M□□□ 090-12	
3.4	2947	2.0	412.500	GST14 - 3M□□□ 090-12	

### P<sub>1</sub> = 1.5 kW

884	16	2.2	1.600	GST05 - 1M□□□ 090-32	
691	20	2.0	2.048	GST05 - 1M□□□ 090-32	
691	20	2.8	2.048	GST06 - 1M□□□ 090-32	
632	22	2.0	2.240	GST05 - 1M□□□ 090-32	
632	22	2.8	2.240	GST06 - 1M□□□ 090-32	
495	29	1.7	2.857	GST05 - 1M□□□ 090-32	
495	29	2.6	2.857	GST06 - 1M□□□ 090-32	
479	29	1.1	2.956	GST04 - 2M□□□ 090-32	
479	29	1.9	2.956	GST05 - 2M□□□ 090-32	
425	33	1.1	3.333	GST04 - 2M□□□ 090-32	
425	33	2.0	3.333	GST05 - 2M□□□ 090-32	
404	35	1.4	3.500	GST05 - 1M□□□ 090-32	
404	35	2.4	3.500	GST06 - 1M□□□ 090-32	
349	40	1.7	4.053	GST05 - 2M□□□ 090-32	
311	45	1.2	4.556	GST05 - 1M□□□ 090-32	
311	45	1.8	4.556	GST06 - 1M□□□ 090-32	
311	45	2.9	4.556	GST07 - 1M□□□ 090-32	
310	45	1.7	4.571	GST05 - 2M□□□ 090-32	
273	51	1.5	5.187	GST05 - 2M□□□ 090-32	
253	56	2.5	5.583	GST07 - 1M□□□ 090-32	
250	57	1.5	5.667	GST06 - 1M□□□ 090-32	
242	58	1.5	5.850	GST05 - 2M□□□ 090-32	
242	58	3.2	5.850	GST06 - 2M□□□ 090-32	
221	63	1.4	6.400	GST05 - 2M□□□ 090-32	
221	63	3.1	6.400	GST06 - 2M□□□ 090-32	
196	71	1.3	7.238	GST05 - 2M□□□ 090-32	
193	73	1.2	7.333	GST06 - 1M□□□ 090-32	
193	73	1.9	7.333	GST07 - 1M□□□ 090-32	
193	73	2.4	7.333	GST09 - 1M□□□ 090-32	
173	80	1.2	8.163	GST05 - 2M□□□ 090-32	
173	80	2.6	8.163	GST06 - 2M□□□ 090-32	
159	89	1.6	8.900	GST07 - 1M□□□ 090-32	
159	89	2.0	8.900	GST09 - 1M□□□ 090-32	
157	89	1.1	9.010	GST05 - 2M□□□ 090-32	
157	89	2.5	9.010	GST06 - 2M□□□ 090-32	
142	98	1.1	10.000	GST05 - 2M□□□ 090-32	
142	98	2.3	10.000	GST06 - 2M□□□ 090-32	
126	110	2.1	11.200	GST06 - 2M□□□ 090-32	
126	112	1.2	11.250	GST07 - 1M□□□ 090-32	
126	112	1.6	11.250	GST09 - 1M□□□ 090-32	
113	124	2.0	12.571	GST06 - 2M□□□ 090-32	
99	140	1.8	14.286	GST06 - 2M□□□ 090-32	
92	151	1.8	15.400	GST06 - 2M□□□ 090-32	
81	172	1.5	17.500	GST06 - 2M□□□ 090-32	

For dimensions, see page 3-78 onwards.

# Helical gearbox selection tables

Geared motors for Atex category 2G, 2D, 3G, 3D (zone 1, 21, 2, 22)

50 Hz			i	Helical geared motor	Consultation required for mounting position
n <sub>2</sub> [rpm]	M <sub>2</sub> [Nm]	c			

## P<sub>1</sub> = 1.5 kW

71	197	1.5	20.044	GST06 - 2M□□□ 090-32	
71	197	2.9	20.044	GST07 - 2M□□□ 090-32	
62	224	1.3	22.778	GST06 - 2M□□□ 090-32	
62	224	2.9	22.778	GST07 - 2M□□□ 090-32	
58	241	2.5	24.567	GST07 - 2M□□□ 090-32	
57	245	1.3	24.933	GST06 - 2M□□□ 090-32	
51	274	2.5	27.917	GST07 - 2M□□□ 090-32	
50	278	1.1	28.333	GST06 - 2M□□□ 090-32	
44	317	1.1	32.267	GST06 - 2M□□□ 090-32	
44	317	1.9	32.267	GST07 - 2M□□□ 090-32	
44	317	2.4	32.267	GST09 - 2M□□□ 090-32	
39	360	1.9	36.667	GST07 - 2M□□□ 090-32	
39	360	2.4	36.667	GST09 - 2M□□□ 090-32	
36	385	1.6	39.160	GST07 - 2M□□□ 090-32	
36	385	2.0	39.160	GST09 - 2M□□□ 090-32	
32	437	1.6	44.500	GST07 - 2M□□□ 090-32	
32	437	2.0	44.500	GST09 - 2M□□□ 090-32	
29	486	1.2	49.500	GST07 - 2M□□□ 090-32	
29	486	1.6	49.500	GST09 - 2M□□□ 090-32	
25	553	1.2	56.250	GST07 - 2M□□□ 090-32	
25	553	1.6	56.250	GST09 - 2M□□□ 090-32	
24	561	3.8	57.968	GST11 - 3M□□□ 090-32	
24	583	2.2	60.278	GST09 - 3M□□□ 090-32	
22	630	1.1	65.079	GST07 - 3M□□□ 090-32	
20	695	1.7	71.867	GST09 - 3M□□□ 090-32	
17	790	1.7	81.667	GST09 - 3M□□□ 090-32	
15	905	1.5	93.541	GST09 - 3M□□□ 090-32	
14	959	1.5	99.167	GST09 - 3M□□□ 090-32	
13	1099	1.3	113.585	GST09 - 3M□□□ 090-32	
11	1249	1.3	129.074	GST09 - 3M□□□ 090-32	
11	1249	2.3	129.074	GST11 - 3M□□□ 090-32	
10	1367	1.1	141.289	GST09 - 3M□□□ 090-32	
9.6	1422	1.8	146.993	GST11 - 3M□□□ 090-32	
8.9	1530	1.8	158.194	GST11 - 3M□□□ 090-32	
8.8	1553	1.0	160.556	GST09 - 3M□□□ 090-32	
7.9	1743	1.5	180.156	GST11 - 3M□□□ 090-32	
6.9	1981	2.4	204.722	GST14 - 3M□□□ 090-32	
6.8	2010	1.4	207.778	GST11 - 3M□□□ 090-32	
6.0	2289	1.2	236.622	GST11 - 3M□□□ 090-32	
6.0	2289	2.4	236.622	GST14 - 3M□□□ 090-32	
5.7	2404	2.0	248.458	GST14 - 3M□□□ 090-32	
5.6	2440	1.2	252.167	GST11 - 3M□□□ 090-32	
5.3	2601	1.1	268.889	GST11 - 3M□□□ 090-32	
5.3	2601	2.3	268.889	GST14 - 3M□□□ 090-32	
4.3	3157	1.9	326.333	GST14 - 3M□□□ 090-32	
3.9	3512	1.6	363.000	GST14 - 3M□□□ 090-32	
3.4	3991	1.5	412.500	GST14 - 3M□□□ 090-32	

## P<sub>1</sub> = 2.2 kW

891	23	1.5	1.600	GST05 - 1M□□□ 100-12	
891	23	2.1	1.600	GST06 - 1M□□□ 100-12	
696	30	1.4	2.048	GST05 - 1M□□□ 100-12	
696	30	1.9	2.048	GST06 - 1M□□□ 100-12	
636	33	1.4	2.240	GST05 - 1M□□□ 100-12	
636	33	1.9	2.240	GST06 - 1M□□□ 100-12	
499	42	1.1	2.857	GST05 - 1M□□□ 100-12	
499	42	1.8	2.857	GST06 - 1M□□□ 100-12	
499	42	3.0	2.857	GST07 - 1M□□□ 100-12	
482	42	1.3	2.956	GST05 - 2M□□□ 100-12	
470	43	3.3	3.033	GST06 - 2M□□□ 100-12	
428	48	1.4	3.333	GST05 - 2M□□□ 100-12	
428	48	3.1	3.333	GST06 - 2M□□□ 100-12	
407	51	1.6	3.500	GST06 - 1M□□□ 100-12	
407	51	2.8	3.500	GST07 - 1M□□□ 100-12	
352	58	1.2	4.053	GST05 - 2M□□□ 100-12	
343	60	2.8	4.160	GST06 - 2M□□□ 100-12	
313	66	1.3	4.556	GST06 - 1M□□□ 100-12	
313	66	2.3	4.556	GST07 - 1M□□□ 100-12	
312	65	1.2	4.571	GST05 - 2M□□□ 100-12	

For dimensions, see page 3-78 onwards.

# Helical gearbox selection tables

Geared motors for Atex category 2G, 2D, 3G, 3D (zone 1, 21, 2, 22)



50 Hz			i	Helical geared motor	Consultation required for mounting position
n <sub>2</sub> [rpm]	M <sub>2</sub> [Nm]	c			

## P<sub>1</sub> = 2.2 kW

312	65	2.6	4.571	GST06 - 2M□□□ 100-12	
305	68	3.2	4.667	GST09 - 1M□□□ 100-12	
275	74	1.0	5.187	GST05 - 2M□□□ 100-12	
268	76	2.3	5.324	GST06 - 2M□□□ 100-12	
255	81	2.0	5.583	GST07 - 1M□□□ 100-12	
252	82	1.1	5.667	GST06 - 1M□□□ 100-12	
252	82	2.8	5.667	GST09 - 1M□□□ 100-12	
244	84	1.0	5.850	GST05 - 2M□□□ 100-12	
244	84	2.2	5.850	GST06 - 2M□□□ 100-12	
223	92	2.1	6.400	GST06 - 2M□□□ 100-12	
202	101	2.0	7.040	GST06 - 2M□□□ 100-12	
194	107	1.6	7.333	GST07 - 1M□□□ 100-12	
194	107	2.2	7.333	GST09 - 1M□□□ 100-12	
175	117	1.8	8.163	GST06 - 2M□□□ 100-12	
160	129	1.4	8.900	GST07 - 1M□□□ 100-12	
160	129	1.9	8.900	GST09 - 1M□□□ 100-12	
158	129	1.7	9.010	GST06 - 2M□□□ 100-12	
145	141	3.2	9.856	GST07 - 2M□□□ 100-12	
143	143	1.6	10.000	GST06 - 2M□□□ 100-12	
127	160	1.5	11.200	GST06 - 2M□□□ 100-12	
127	160	3.1	11.200	GST07 - 2M□□□ 100-12	
127	163	1.5	11.250	GST09 - 1M□□□ 100-12	
113	180	1.4	12.571	GST06 - 2M□□□ 100-12	
113	180	2.7	12.571	GST07 - 2M□□□ 100-12	
100	204	1.3	14.286	GST06 - 2M□□□ 100-12	
100	204	2.7	14.286	GST07 - 2M□□□ 100-12	
93	220	1.2	15.400	GST06 - 2M□□□ 100-12	
93	220	2.4	15.400	GST07 - 2M□□□ 100-12	
81	250	1.1	17.500	GST06 - 2M□□□ 100-12	
81	250	2.3	17.500	GST07 - 2M□□□ 100-12	
71	287	1.0	20.044	GST06 - 2M□□□ 100-12	
71	287	2.0	20.044	GST07 - 2M□□□ 100-12	
69	294	3.2	20.533	GST09 - 2M□□□ 100-12	
63	326	2.0	22.778	GST07 - 2M□□□ 100-12	
61	334	3.2	23.333	GST09 - 2M□□□ 100-12	
58	351	1.8	24.567	GST07 - 2M□□□ 100-12	
57	357	2.8	24.933	GST09 - 2M□□□ 100-12	
51	399	1.7	27.917	GST07 - 2M□□□ 100-12	
50	405	2.8	28.333	GST09 - 2M□□□ 100-12	
44	462	1.5	32.267	GST07 - 2M□□□ 100-12	
44	462	2.2	32.267	GST09 - 2M□□□ 100-12	
44	462	2.8	32.267	GST11 - 2M□□□ 100-12	
39	525	1.3	36.667	GST07 - 2M□□□ 100-12	
39	525	2.2	36.667	GST09 - 2M□□□ 100-12	
39	525	2.8	36.667	GST11 - 2M□□□ 100-12	
36	560	1.3	39.160	GST07 - 2M□□□ 100-12	
36	560	1.9	39.160	GST09 - 2M□□□ 100-12	
36	560	2.3	39.160	GST11 - 2M□□□ 100-12	
32	637	1.1	44.500	GST07 - 2M□□□ 100-12	
32	637	1.9	44.500	GST09 - 2M□□□ 100-12	
32	637	2.3	44.500	GST11 - 2M□□□ 100-12	
29	708	1.5	49.500	GST09 - 2M□□□ 100-12	
29	708	1.9	49.500	GST11 - 2M□□□ 100-12	
25	805	1.5	56.250	GST09 - 2M□□□ 100-12	
25	805	1.9	56.250	GST11 - 2M□□□ 100-12	
25	817	2.6	57.968	GST11 - 3M□□□ 100-12	
24	849	1.5	60.278	GST09 - 3M□□□ 100-12	
23	863	2.8	61.250	GST11 - 3M□□□ 100-12	
20	1001	2.2	71.011	GST11 - 3M□□□ 100-12	
20	1013	1.2	71.867	GST09 - 3M□□□ 100-12	
18	1137	2.3	80.694	GST11 - 3M□□□ 100-12	
17	1151	1.2	81.667	GST09 - 3M□□□ 100-12	
16	1230	1.8	87.267	GST11 - 3M□□□ 100-12	
15	1318	1.0	93.541	GST09 - 3M□□□ 100-12	
15	1318	3.2	93.541	GST14 - 3M□□□ 100-12	
14	1397	1.0	99.167	GST09 - 3M□□□ 100-12	
14	1397	1.9	99.167	GST11 - 3M□□□ 100-12	
13	1498	3.2	106.296	GST14 - 3M□□□ 100-12	
13	1591	1.5	112.933	GST11 - 3M□□□ 100-12	
11	1819	1.5	129.074	GST11 - 3M□□□ 100-12	

For dimensions, see page 3-78 onwards.

# Helical gearbox selection tables

Geared motors for Atex category 2G, 2D, 3G, 3D (zone 1, 21, 2, 22)

50 Hz			i	Helical geared motor	Consultation required for mounting position
n <sub>2</sub> [rpm]	M <sub>2</sub> [Nm]	c			

## P<sub>1</sub> = 2.2 kW

11	1836	3.1	130.278	GST14 - 3M□□□ 100-12	
10	1961	2.8	139.211	GST14 - 3M□□□ 100-12	
9.7	2071	1.3	146.993	GST11 - 3M□□□ 100-12	
9.0	2229	1.3	158.194	GST11 - 3M□□□ 100-12	
9.0	2229	2.7	158.194	GST14 - 3M□□□ 100-12	
8.3	2411	2.4	171.111	GST14 - 3M□□□ 100-12	
7.9	2538	1.1	180.156	GST11 - 3M□□□ 100-12	
7.0	2884	2.1	204.722	GST14 - 3M□□□ 100-12	
6.0	3334	1.7	236.622	GST14 - 3M□□□ 100-12	
5.7	3501	1.7	248.458	GST14 - 3M□□□ 100-12	
5.3	3788	1.6	268.889	GST14 - 3M□□□ 100-12	
4.4	4598	1.3	326.333	GST14 - 3M□□□ 100-12	
3.9	5114	1.1	363.000	GST14 - 3M□□□ 100-12	
3.5	5812	1.0	412.500	GST14 - 3M□□□ 100-12	

## P<sub>1</sub> = 3.0 kW

884	32	1.1	1.600	GST05 - 1M□□□ 100-32	
884	32	1.5	1.600	GST06 - 1M□□□ 100-32	
708	40	2.6	2.000	GST07 - 1M□□□ 100-32	
691	41	1.0	2.048	GST05 - 1M□□□ 100-32	
691	41	1.4	2.048	GST06 - 1M□□□ 100-32	
632	45	1.4	2.240	GST06 - 1M□□□ 100-32	
632	45	2.6	2.240	GST07 - 1M□□□ 100-32	
495	57	1.3	2.857	GST06 - 1M□□□ 100-32	
495	57	2.2	2.857	GST07 - 1M□□□ 100-32	
467	60	2.4	3.033	GST06 - 2M□□□ 100-32	
425	66	2.2	3.333	GST06 - 2M□□□ 100-32	
404	70	1.2	3.500	GST06 - 1M□□□ 100-32	
404	70	2.0	3.500	GST07 - 1M□□□ 100-32	
340	82	2.0	4.160	GST06 - 2M□□□ 100-32	
311	91	1.7	4.556	GST07 - 1M□□□ 100-32	
310	90	1.9	4.571	GST06 - 2M□□□ 100-32	
303	93	2.4	4.667	GST09 - 1M□□□ 100-32	
266	105	1.7	5.324	GST06 - 2M□□□ 100-32	
253	111	1.5	5.583	GST07 - 1M□□□ 100-32	
250	113	2.0	5.667	GST09 - 1M□□□ 100-32	
242	115	1.6	5.850	GST06 - 2M□□□ 100-32	
221	126	1.5	6.400	GST06 - 2M□□□ 100-32	
221	126	3.1	6.400	GST07 - 2M□□□ 100-32	
201	138	1.4	7.040	GST06 - 2M□□□ 100-32	
193	146	1.2	7.333	GST07 - 1M□□□ 100-32	
193	146	1.6	7.333	GST09 - 1M□□□ 100-32	
173	160	1.3	8.163	GST06 - 2M□□□ 100-32	
161	173	2.5	8.800	GST07 - 2M□□□ 100-32	
159	178	1.0	8.900	GST07 - 1M□□□ 100-32	
159	178	1.4	8.900	GST09 - 1M□□□ 100-32	
157	177	1.2	9.010	GST06 - 2M□□□ 100-32	
144	194	2.3	9.856	GST07 - 2M□□□ 100-32	
142	196	1.2	10.000	GST06 - 2M□□□ 100-32	
126	220	1.1	11.200	GST06 - 2M□□□ 100-32	
126	220	2.3	11.200	GST07 - 2M□□□ 100-32	
126	224	1.1	11.250	GST09 - 1M□□□ 100-32	
113	247	1.0	12.571	GST06 - 2M□□□ 100-32	
113	247	2.0	12.571	GST07 - 2M□□□ 100-32	
99	281	1.9	14.286	GST07 - 2M□□□ 100-32	
92	303	1.8	15.400	GST07 - 2M□□□ 100-32	
81	344	1.7	17.500	GST07 - 2M□□□ 100-32	
71	394	1.5	20.044	GST07 - 2M□□□ 100-32	
69	403	2.4	20.533	GST09 - 2M□□□ 100-32	
62	447	1.4	22.778	GST07 - 2M□□□ 100-32	
61	458	2.4	23.333	GST09 - 2M□□□ 100-32	
58	483	1.3	24.567	GST07 - 2M□□□ 100-32	
57	490	2.0	24.933	GST09 - 2M□□□ 100-32	
51	548	1.3	27.917	GST07 - 2M□□□ 100-32	
50	557	2.0	28.333	GST09 - 2M□□□ 100-32	
44	634	1.1	32.267	GST07 - 2M□□□ 100-32	
44	634	1.6	32.267	GST09 - 2M□□□ 100-32	
44	634	2.0	32.267	GST11 - 2M□□□ 100-32	
39	720	1.6	36.667	GST09 - 2M□□□ 100-32	

For dimensions, see page 3-78 onwards.

# Helical gearbox selection tables

Geared motors for Atex category 2G, 2D, 3G, 3D (zone 1, 21, 2, 22)



50 Hz			i	Helical geared motor	Consultation required for mounting position
n <sub>2</sub> [rpm]	M <sub>2</sub> [Nm]	c			

## P<sub>1</sub> = 3.0 kW

39	720	2.0	36.667	GST11 - 2M□□□ 100-32	
36	769	1.4	39.160	GST09 - 2M□□□ 100-32	
36	769	1.7	39.160	GST11 - 2M□□□ 100-32	
32	874	1.4	44.500	GST09 - 2M□□□ 100-32	
32	874	1.7	44.500	GST11 - 2M□□□ 100-32	
29	972	1.1	49.500	GST09 - 2M□□□ 100-32	
29	972	1.4	49.500	GST11 - 2M□□□ 100-32	
25	1105	1.1	56.250	GST09 - 2M□□□ 100-32	
25	1105	1.4	56.250	GST11 - 2M□□□ 100-32	
24	1122	1.9	57.968	GST11 - 3M□□□ 100-32	
24	1166	1.1	60.278	GST09 - 3M□□□ 100-32	
23	1185	2.1	61.250	GST11 - 3M□□□ 100-32	
20	1374	1.6	71.011	GST11 - 3M□□□ 100-32	
18	1561	1.7	80.694	GST11 - 3M□□□ 100-32	
16	1689	1.3	87.267	GST11 - 3M□□□ 100-32	
15	1810	2.4	93.541	GST14 - 3M□□□ 100-32	
14	1919	1.4	99.167	GST11 - 3M□□□ 100-32	
13	2057	2.4	106.296	GST14 - 3M□□□ 100-32	
13	2185	1.1	112.933	GST11 - 3M□□□ 100-32	
11	2497	1.1	129.074	GST11 - 3M□□□ 100-32	
11	2521	2.3	130.278	GST14 - 3M□□□ 100-32	
10	2694	2.0	139.211	GST14 - 3M□□□ 100-32	
8.9	3061	1.9	158.194	GST14 - 3M□□□ 100-32	
8.3	3311	1.8	171.111	GST14 - 3M□□□ 100-32	
6.9	3961	1.5	204.722	GST14 - 3M□□□ 100-32	
6.0	4578	1.3	236.622	GST14 - 3M□□□ 100-32	
5.7	4807	1.2	248.458	GST14 - 3M□□□ 100-32	
5.3	5203	1.1	268.889	GST14 - 3M□□□ 100-32	

## P<sub>1</sub> = 4.0 kW

894	42	1.2	1.600	GST06 - 1M□□□ 112-22	
880	43	2.1	1.625	GST07 - 1M□□□ 112-22	
715	53	2.0	2.000	GST07 - 1M□□□ 112-22	
698	54	1.1	2.048	GST06 - 1M□□□ 112-22	
638	59	1.1	2.240	GST06 - 1M□□□ 112-22	
638	59	1.9	2.240	GST07 - 1M□□□ 112-22	
509	74	3.1	2.810	GST09 - 1M□□□ 112-22	
501	75	1.7	2.857	GST07 - 1M□□□ 112-22	
471	79	1.8	3.033	GST06 - 2M□□□ 112-22	
429	86	1.7	3.333	GST06 - 2M□□□ 112-22	
415	91	2.6	3.444	GST09 - 1M□□□ 112-22	
409	92	1.5	3.500	GST07 - 1M□□□ 112-22	
344	108	1.5	4.160	GST06 - 2M□□□ 112-22	
339	110	3.0	4.225	GST07 - 2M□□□ 112-22	
314	120	1.3	4.556	GST07 - 1M□□□ 112-22	
313	119	1.4	4.571	GST06 - 2M□□□ 112-22	
308	120	2.8	4.643	GST07 - 2M□□□ 112-22	
306	123	2.1	4.667	GST09 - 1M□□□ 112-22	
275	135	2.6	5.200	GST07 - 2M□□□ 112-22	
269	138	1.3	5.324	GST06 - 2M□□□ 112-22	
256	147	1.1	5.583	GST07 - 1M□□□ 112-22	
252	149	1.8	5.667	GST09 - 1M□□□ 112-22	
250	148	2.5	5.714	GST07 - 2M□□□ 112-22	
244	152	1.2	5.850	GST06 - 2M□□□ 112-22	
223	166	1.2	6.400	GST06 - 2M□□□ 112-22	
223	166	2.3	6.400	GST07 - 2M□□□ 112-22	
203	182	1.1	7.040	GST06 - 2M□□□ 112-22	
200	185	2.2	7.150	GST07 - 2M□□□ 112-22	
196	189	3.1	7.305	GST09 - 2M□□□ 112-22	
195	193	1.4	7.333	GST09 - 1M□□□ 112-22	
178	208	3.1	8.027	GST09 - 2M□□□ 112-22	
176	211	2.1	8.125	GST07 - 2M□□□ 112-22	
163	228	1.9	8.800	GST07 - 2M□□□ 112-22	
161	234	1.2	8.900	GST09 - 1M□□□ 112-22	
145	255	1.8	9.856	GST07 - 2M□□□ 112-22	
128	290	1.7	11.200	GST07 - 2M□□□ 112-22	
116	320	3.1	12.362	GST09 - 2M□□□ 112-22	
114	326	1.5	12.571	GST07 - 2M□□□ 112-22	
102	364	2.9	14.048	GST09 - 2M□□□ 112-22	

For dimensions, see page 3-78 onwards.

# Helical gearbox selection tables

Geared motors for Atex category 2G, 2D, 3G, 3D (zone 1, 21, 2, 22)

50 Hz			i	Helical geared motor	Consultation required for mounting position
n <sub>2</sub> [rpm]	M <sub>2</sub> [Nm]	c			
<b>P<sub>1</sub> = 4.0 kW</b>					
100	370	1.5	14.286	GST07 - 2M□□□ 112-22	
94	393	2.6	15.156	GST09 - 2M□□□ 112-22	
93	399	1.3	15.400	GST07 - 2M□□□ 112-22	
83	446	2.5	17.222	GST09 - 2M□□□ 112-22	
82	454	1.3	17.500	GST07 - 2M□□□ 112-22	
71	520	1.1	20.044	GST07 - 2M□□□ 112-22	
71	526	2.6	20.289	GST11 - 2M□□□ 112-22	
70	532	2.1	20.533	GST09 - 2M□□□ 112-22	
63	590	1.1	22.778	GST07 - 2M□□□ 112-22	
62	598	2.6	23.056	GST11 - 2M□□□ 112-22	
61	605	2.1	23.333	GST09 - 2M□□□ 112-22	
57	646	1.8	24.933	GST09 - 2M□□□ 112-22	
57	646	2.2	24.933	GST11 - 2M□□□ 112-22	
51	734	1.8	28.333	GST09 - 2M□□□ 112-22	
51	734	2.2	28.333	GST11 - 2M□□□ 112-22	
44	836	1.4	32.267	GST09 - 2M□□□ 112-22	
44	836	1.7	32.267	GST11 - 2M□□□ 112-22	
39	950	1.4	36.667	GST09 - 2M□□□ 112-22	
39	950	1.7	36.667	GST11 - 2M□□□ 112-22	
37	1015	1.2	39.160	GST09 - 2M□□□ 112-22	
37	1015	1.5	39.160	GST11 - 2M□□□ 112-22	
32	1153	1.2	44.500	GST09 - 2M□□□ 112-22	
32	1153	1.5	44.500	GST11 - 2M□□□ 112-22	
29	1283	1.2	49.500	GST11 - 2M□□□ 112-22	
25	1458	1.2	56.250	GST11 - 2M□□□ 112-22	
25	1480	1.4	57.968	GST11 - 3M□□□ 112-22	
24	1514	2.6	59.321	GST14 - 3M□□□ 112-22	
23	1564	1.6	61.250	GST11 - 3M□□□ 112-22	
21	1763	2.3	69.042	GST14 - 3M□□□ 112-22	
20	1813	1.2	71.011	GST11 - 3M□□□ 112-22	
18	2003	2.3	78.457	GST14 - 3M□□□ 112-22	
18	2060	1.3	80.694	GST11 - 3M□□□ 112-22	
16	2228	1.0	87.267	GST11 - 3M□□□ 112-22	
15	2388	2.0	93.541	GST14 - 3M□□□ 112-22	
15	2455	2.0	96.157	GST14 - 3M□□□ 112-22	
14	2532	1.1	99.167	GST11 - 3M□□□ 112-22	
14	2714	2.0	106.296	GST14 - 3M□□□ 112-22	
11	3326	1.7	130.278	GST14 - 3M□□□ 112-22	
10	3554	1.6	139.211	GST14 - 3M□□□ 112-22	
9.0	4038	1.5	158.194	GST14 - 3M□□□ 112-22	
8.4	4368	1.3	171.111	GST14 - 3M□□□ 112-22	
7.0	5226	1.1	204.722	GST14 - 3M□□□ 112-22	

For dimensions, see page 3-78 onwards.



# Helical gearbox selection tables

Gearboxes with mounting flange for Atex category 2GD, 3GD (zone 1, 21, 2, 22)

$M_2 \text{ perm} \leq 25 \text{ Nm}$		GST04-1N □□□						
Gearbox with	Mounting flange size Motor frame size Flange diameter	i	$P_{1 \text{ perm}}$ [kW]	$M_2 \text{ perm}$ [Nm]	$n_2$ [rpm]	Temperature class		
						T3 (G) $\cong$ 190 °C (D) T4 (G) $\cong$ 125 °C (D)		
						Mounting position		
						A, B, E, F	C	D

## $n_1 = 2800 \text{ rpm}$

GST04-1N □□□	1A		2.240	1.03	8	1250	T4	T3	-
	63		2.857	0.96	9	980	T4	T4	-
	90		4.400	1.05	16	636	T4	T4	-
			5.667	0.88	17	494	T4	T4	-
			7.182	0.73	18	390	T4	T4	-
			9.000	0.60	18	311	T4	T4	-
			11.857	0.33	13	236	T4	T4	-
GST04-1N □□□	□B		1.600	2.21	12	1750	T3	T3	-
	1B	2B	2.048	1.98	14	1367	T3	T3	-
	71	63	2.240	1.89	14	1250	T4	T3	-
	105	90	2.857	1.60	15	980	T4	T3	-
			3.500	1.37	16	800	T4	T4	-
			4.400	1.15	17	636	T4	T4	-
			5.667	0.92	18	494	T4	T4	-
			7.182	0.74	18	390	T4	T4	-
			9.000	0.61	18	311	T4	T4	-
	GST04-1N □□□	□C		1.600	2.21	12	1750	T3	T3
1C		2C	2.048	2.05	14	1367	T3	T3	-
80		71	2.240	2.03	15	1250	T3	T3	-
160		160	2.857	1.82	18	980	T4	T3	-
		105	3.500	1.63	19	800	T4	T3	-
		120	4.400	1.37	20	636	T4	T4	-
		160	5.667	1.07	20	494	T4	T4	-
GST04-1N □□□	□D		1.600	2.21	12	1750	T3	T3	-
	1D	2D	2.048	2.05	14	1367	T3	T3	-
	90	80	2.240	2.03	15	1250	T3	T3	-
	160	160	2.857	1.82	18	980	T4	T3	-
			3.500	1.63	19	800	T4	T3	-

## $n_1 = 1400 \text{ rpm}$

GST04-1N □□□	1A		2.240	0.63	10	625	T4	T4	T4
	63		2.857	0.59	11	490	T4	T4	T4
	90		4.400	0.65	19	318	T4	T4	T4
			5.667	0.54	21	247	T4	T4	T4
			7.182	0.45	22	195	T4	T4	T4
			9.000	0.37	22	156	T4	T4	T4
			11.857	0.20	16	118	T4	T4	T4
GST04-1N □□□	□B		1.600	1.36	15	875	T4	T4	T4
	1B	2B	2.048	1.22	17	684	T4	T4	T4
	71	63	2.240	1.17	18	625	T4	T4	T4
	105	90	2.857	0.98	19	490	T4	T4	T4
			3.500	0.85	20	400	T4	T4	T4
			4.400	0.71	21	318	T4	T4	T4
			5.667	0.57	22	247	T4	T4	T4
			7.182	0.46	22	195	T4	T4	T4
			9.000	0.37	23	156	T4	T4	T4
	GST04-1N □□□	□C		1.600	1.36	15	875	T4	T4
1C		2C	2.048	1.27	17	684	T4	T4	T4
80		71	2.240	1.25	19	625	T4	T4	T4
160		160	2.857	1.12	22	490	T4	T4	T4
		105	3.500	1.00	24	400	T4	T4	T4
		120	4.400	0.85	25	318	T4	T4	T4
		160	5.667	0.66	25	247	T4	T4	T4
GST04-1N □□□	□D		1.600	1.36	15	875	T4	T4	T4
	1D	2D	2.048	1.27	17	684	T4	T4	T4
	90	80	2.240	1.25	19	625	T4	T4	T4
	160	160	2.857	1.12	22	490	T4	T4	T4
			3.500	1.00	24	400	T4	T4	T4

For dimensions, see page 3-88 onwards.



# Helical gearbox selection tables

Gearboxes with mounting flange for Atex category 2GD, 3GD (zone 1, 21, 2, 22)



$M_2 \text{ perm} \leq 25 \text{ Nm}$		GST04-1N □□□						
Gearbox with	Mounting flange size Motor frame size Flange diameter	i	$P_1 \text{ perm}$ [kW]	$M_2 \text{ perm}$ [Nm]	$n_2$ [rpm]	Temperature class		
						T3 (G) $\cong$ 190 °C (D) T4 (G) $\cong$ 125 °C (D)		
						Mounting position		
						A, B, E, F	C	D
<b><math>n_1 = 700 \text{ rpm}</math></b>								
GST04-1N □□□	1A	2.240	0.32	10	313	T4	T4	T4
	63	2.857	0.30	11	245	T4	T4	T4
	90	4.400	0.32	19	159	T4	T4	T4
		5.667	0.27	21	124	T4	T4	T4
		7.182	0.23	22	98	T4	T4	T4
		9.000	0.18	22	78	T4	T4	T4
		11.857	0.10	16	59	T4	T4	T4
GST04-1N □□□	□B	1.600	0.68	15	438	T4	T4	T4
	1B 2B	2.048	0.61	17	342	T4	T4	T4
	71 63	2.240	0.58	18	313	T4	T4	T4
	105 90	2.857	0.49	19	245	T4	T4	T4
		3.500	0.42	20	200	T4	T4	T4
		4.400	0.35	21	159	T4	T4	T4
		5.667	0.28	22	124	T4	T4	T4
		7.182	0.23	22	98	T4	T4	T4
		9.000	0.19	23	78	T4	T4	T4
GST04-1N □□□	□C	1.600	0.68	15	438	T4	T4	T4
	1C 2C 3C 4C 6C 7C	2.048	0.63	17	342	T4	T4	T4
	80 71 71 71 63 80	2.240	0.63	19	313	T4	T4	T4
	160 160 105 120 160 120	2.857	0.56	22	245	T4	T4	T4
		3.500	0.50	24	200	T4	T4	T4
		4.400	0.42	25	159	T4	T4	T4
		5.667	0.33	25	124	T4	T4	T4
GST04-1N □□□	□D	1.600	0.68	15	438	T4	T4	T4
	1D 2D	2.048	0.63	17	342	T4	T4	T4
	90 80	2.240	0.63	19	313	T4	T4	T4
	160 160	2.857	0.56	22	245	T4	T4	T4
		3.500	0.50	24	200	T4	T4	T4

For dimensions, see page 3-88 onwards.

# Helical gearbox selection tables

Gearboxes with mounting flange for Atex category 2GD, 3GD (zone 1, 21, 2, 22)

$M_2 \text{ perm} \leq 73 \text{ Nm}$		GST04-2N □□□							
Gearbox with	Mounting flange size Motor frame size Flange diameter	i	$P_{1 \text{ perm}}$ [kW]	$M_2 \text{ perm}$ [Nm]	$n_2$ [rpm]	Temperature class			
						T3 (G) $\cong$ 190 °C (D) T4 (G) $\cong$ 125 °C (D)			
						Mounting position			
						A, B, E, F	C	D	
<b><math>n_1 = 2800 \text{ rpm}</math></b>									
GST04-2N □□□	1A	6.400	1.03	22	438	T4	T3	-	
	63	9.856	1.03	34	284	T4	T3	-	
	90	11.200	1.03	38	250	T4	T3	-	
		12.571	0.96	40	223	T4	T4	-	
		14.286	0.96	45	196	T4	T4	-	
		19.360	0.98	63	145	T4	T4	-	
		22.000	0.79	57	127	T4	T4	-	
		24.933	0.80	66	112	T4	T4	-	
		28.333	0.62	59	99	T4	T4	-	
		31.600	0.64	67	89	T4	T4	-	
		35.909	0.50	59	78	T4	T4	-	
		39.600	0.51	67	71	T4	T4	-	
		45.000	0.44	65	62	T4	T4	-	
		52.171	0.40	69	54	T4	T4	-	
		59.286	0.34	66	47	T4	T4	-	
	GST04-2N □□□	□B	2.956	2.23	22	947	T3	T3	-
		1B 2B	3.333	2.23	25	840	T3	T3	-
		71 63	4.053	2.23	30	691	T3	T3	-
		105 90	4.571	2.13	32	613	T3	T3	-
		5.187	1.96	34	540	T3	T3	-	
		5.850	1.85	36	479	T3	T3	-	
		6.400	1.74	37	438	T4	T3	-	
		7.040	1.63	38	398	T3	T3	-	
		8.000	1.50	40	350	T3	T3	-	
		9.010	1.41	42	311	T3	T3	-	
		9.856	1.33	43	284	T4	T3	-	
		11.200	1.22	45	250	T4	T3	-	
		12.571	1.14	48	223	T4	T3	-	
		14.286	1.04	49	196	T4	T3	-	
		15.400	1.14	58	182	T4	T4	-	
		17.500	0.98	57	160	T4	T4	-	
		19.360	0.98	63	145	T4	T4	-	
		22.000	0.79	57	127	T4	T4	-	
		24.933	0.80	66	112	T4	T4	-	
		28.333	0.62	59	99	T4	T4	-	
		31.600	0.64	67	89	T4	T4	-	
		35.909	0.50	59	78	T4	T4	-	
		39.600	0.51	67	71	T4	T4	-	
		45.000	0.44	65	62	T4	T4	-	
GST04-2N □□□		□C	2.956	2.68	26	947	T3	T3	-
	1C 2C 3C 4C 6C 7C	3.333	2.54	28	840	T3	T3	-	
	80 71 71 71 63 80	4.053	2.25	30	691	T3	T3	-	
	160 160 105 120 160 120	4.571	2.13	32	613	T3	T3	-	
		5.187	1.96	34	540	T3	T3	-	
		5.850	1.85	36	479	T3	T3	-	
		6.400	1.74	37	438	T3	T3	-	
		7.040	1.63	38	398	T3	T3	-	
		8.000	1.50	40	350	T3	T3	-	
		9.010	1.41	42	311	T3	T3	-	
		9.856	1.33	43	284	T3	T3	-	
		11.200	1.22	45	250	T3	T3	-	
		12.571	1.14	48	223	T4	T3	-	
		14.286	1.04	49	196	T4	T3	-	
		15.400	1.14	58	182	T4	T3	-	
		17.500	0.98	57	160	T4	T3	-	
		19.360	0.98	63	145	T4	T4	-	
		22.000	0.79	57	127	T4	T4	-	
		24.933	0.80	66	112	T4	T4	-	
		28.333	0.62	59	99	T4	T4	-	

For dimensions, see page 3-88 onwards.

# Helical gearbox selection tables

Gearboxes with mounting flange for Atex category 2GD, 3GD (zone 1, 21, 2, 22)



$M_2 \text{ perm} \leq 73 \text{ Nm}$		GST04-2N □□□							
Gearbox with	Mounting flange size Motor frame size Flange diameter	i	$P_{1 \text{ perm}}$ [kW]	$M_2 \text{ perm}$ [Nm]	$n_2$ [rpm]	Temperature class			
						T3 (G) $\cong$ 190 °C (D) T4 (G) $\cong$ 125 °C (D)			
						Mounting position			
						A, B, E, F	C	D	
<b><math>n_1 = 2800 \text{ rpm}</math></b>									
GST04-2N □□□	□D	2.956	2.68	26	947	T3	T3	-	
	1D 2D	3.333	2.54	28	840	T3	T3	-	
	90 80	4.053	2.25	30	691	T3	T3	-	
	160 160	4.571	2.13	32	613	T3	T3	-	
		5.187	1.96	34	540	T3	T3	-	
		5.850	1.85	36	479	T3	T3	-	
		6.400	1.74	37	438	T3	T3	-	
		7.040	1.63	38	398	T3	T3	-	
		8.000	1.50	40	350	T3	T3	-	
		9.010	1.41	42	311	T3	T3	-	
		9.856	1.33	43	284	T3	T3	-	
		11.200	1.22	45	250	T3	T3	-	
		12.571	1.14	48	223	T4	T3	-	
		14.286	1.04	49	196	T4	T3	-	
		15.400	1.14	58	182	T4	T3	-	
		17.500	0.98	57	160	T4	T3	-	
<b><math>n_1 = 1400 \text{ rpm}</math></b>									
GST04-2N □□□	1A	6.400	0.63	27	219	T4	T4	T4	
	63	9.856	0.63	41	142	T4	T4	T4	
	90	11.200	0.63	47	125	T4	T4	T4	
		12.571	0.59	49	111	T4	T4	T4	
		14.286	0.59	56	98	T4	T4	T4	
		19.360	0.53	68	72	T4	T4	T4	
		22.000	0.43	62	64	T4	T4	T4	
		24.933	0.43	71	56	T4	T4	T4	
		28.333	0.34	63	49	T4	T4	T4	
		31.600	0.35	72	44	T4	T4	T4	
		35.909	0.27	64	39	T4	T4	T4	
		39.600	0.28	73	35	T4	T4	T4	
		45.000	0.22	65	31	T4	T4	T4	
		52.171	0.20	69	27	T4	T4	T4	
		59.286	0.17	66	24	T4	T4	T4	
GST04-2N □□□	□B	2.956	1.37	27	474	T4	T4	T4	
	1B 2B	3.333	1.37	30	420	T4	T4	T4	
	71 63	4.053	1.37	37	345	T4	T4	T4	
	105 90	4.571	1.31	40	306	T4	T4	T4	
		5.187	1.20	41	270	T4	T4	T4	
		5.850	1.14	44	239	T4	T4	T4	
		6.400	1.07	46	219	T4	T4	T4	
		7.040	1.01	47	199	T4	T4	T4	
		8.000	0.93	49	175	T4	T4	T4	
		9.010	0.87	52	155	T4	T4	T4	
		9.856	0.82	53	142	T4	T4	T4	
		11.200	0.75	56	125	T4	T4	T4	
		12.571	0.70	59	111	T4	T4	T4	
		14.286	0.64	61	98	T4	T4	T4	
		15.400	0.62	63	91	T4	T4	T4	
		17.500	0.53	62	80	T4	T4	T4	
		19.360	0.53	68	72	T4	T4	T4	
		22.000	0.43	62	64	T4	T4	T4	
		24.933	0.43	71	56	T4	T4	T4	
		28.333	0.34	63	49	T4	T4	T4	
		31.600	0.35	72	44	T4	T4	T4	
		35.909	0.27	64	39	T4	T4	T4	
		39.600	0.28	73	35	T4	T4	T4	
		45.000	0.22	65	31	T4	T4	T4	

For dimensions, see page 3-88 onwards.

# Helical gearbox selection tables

Gearboxes with mounting flange for Atex category 2GD, 3GD (zone 1, 21, 2, 22)

$M_2 \text{ perm} \leq 73 \text{ Nm}$		GST04-2N □□□				
Gearbox with	Mounting flange size Motor frame size Flange diameter	i	$P_1 \text{ perm}$ [kW]	$M_2 \text{ perm}$ [Nm]	$n_2$ [rpm]	Temperature class
						T3 (G) $\cong 190 \text{ }^\circ\text{C}$ (D) T4 (G) $\cong 125 \text{ }^\circ\text{C}$ (D)
						Mounting position
						A, B, E, F
						C
						D

## $n_1 = 1400 \text{ rpm}$

GST04-2N □□□ □C	1C	2C	3C	4C	6C	7C	2.956	1.65	32	474	T4	T4	T4
	80	71	71	71	63	80	3.333	1.56	35	420	T4	T4	T4
	160	160	105	120	160	120	4.053	1.39	37	345	T4	T4	T4
							4.571	1.31	40	306	T4	T4	T4
							5.187	1.20	41	270	T4	T4	T4
							5.850	1.14	44	239	T4	T4	T4
							6.400	1.07	46	219	T4	T4	T4
							7.040	1.01	47	199	T4	T4	T4
							8.000	0.93	49	175	T4	T4	T4
							9.010	0.87	52	155	T4	T4	T4
							9.856	0.82	53	142	T4	T4	T4
							11.200	0.75	56	125	T4	T4	T4
							12.571	0.70	59	111	T4	T4	T4
							14.286	0.64	61	98	T4	T4	T4
							15.400	0.62	63	91	T4	T4	T4
							17.500	0.53	62	80	T4	T4	T4
							19.360	0.53	68	72	T4	T4	T4
							22.000	0.43	62	64	T4	T4	T4
							24.933	0.43	71	56	T4	T4	T4
						28.333	0.34	63	49	T4	T4	T4	
GST04-2N □□□ □D	1D	2D					2.956	1.65	32	474	T4	T4	T4
	90	80					3.333	1.56	35	420	T4	T4	T4
	160	160					4.053	1.39	37	345	T4	T4	T4
							4.571	1.31	40	306	T4	T4	T4
							5.187	1.20	41	270	T4	T4	T4
							5.850	1.14	44	239	T4	T4	T4
							6.400	1.07	46	219	T4	T4	T4
							7.040	1.01	47	199	T4	T4	T4
							8.000	0.93	49	175	T4	T4	T4
							9.010	0.87	52	155	T4	T4	T4
							9.856	0.82	53	142	T4	T4	T4
							11.200	0.75	56	125	T4	T4	T4
							12.571	0.70	59	111	T4	T4	T4
							14.286	0.64	61	98	T4	T4	T4
							15.400	0.62	63	91	T4	T4	T4
							17.500	0.53	62	80	T4	T4	T4

## $n_1 = 700 \text{ rpm}$

GST04-2N □□□ 1A	63						6.400	0.32	27	109	T4	T4	T4
	90						9.856	0.32	41	71	T4	T4	T4
							11.200	0.32	47	63	T4	T4	T4
							12.571	0.30	49	56	T4	T4	T4
							14.286	0.30	56	49	T4	T4	T4
							19.360	0.27	68	36	T4	T4	T4
							22.000	0.21	62	32	T4	T4	T4
							24.933	0.22	71	28	T4	T4	T4
							28.333	0.17	63	25	T4	T4	T4
							31.600	0.17	72	22	T4	T4	T4
							35.909	0.13	64	20	T4	T4	T4
							39.600	0.14	73	18	T4	T4	T4
							45.000	0.11	65	16	T4	T4	T4
							52.171	0.10	69	13	T4	T4	T4
							59.286	0.08	66	12	T4	T4	T4
GST04-2N □□□ □B	1B	2B					2.956	0.72	28	237	T4	T4	T4
	71	63					3.333	0.72	32	210	T4	T4	T4
	105	90					4.053	0.69	37	173	T4	T4	T4
							4.571	0.66	40	153	T4	T4	T4
							5.187	0.60	41	135	T4	T4	T4
							5.850	0.57	44	120	T4	T4	T4
							6.400	0.54	46	109	T4	T4	T4

For dimensions, see page 3-88 onwards.

# Helical gearbox selection tables

Gearboxes with mounting flange for Atex category 2GD, 3GD (zone 1, 21, 2, 22)



$M_2 \text{ perm} \leq 73 \text{ Nm}$		GST04-2N □□□						
Gearbox with	Mounting flange size Motor frame size Flange diameter	i	$P_{1 \text{ perm}}$ [kW]	$M_2 \text{ perm}$ [Nm]	$n_2$ [rpm]	Temperature class		
						T3 (G) $\cong$ 190 °C (D) T4 (G) $\cong$ 125 °C (D)		
						Mounting position		
						A, B, E, F	C	D
<b><math>n_1 = 700 \text{ rpm}</math></b>								
GST04-2N □□□ □B	1B 2B	7.040	0.50	47	99	T4	T4	T4
	71 63	8.000	0.46	49	88	T4	T4	T4
	105 90	9.010	0.43	52	78	T4	T4	T4
		9.856	0.41	53	71	T4	T4	T4
		11.200	0.37	56	63	T4	T4	T4
		12.571	0.35	59	56	T4	T4	T4
		14.286	0.32	61	49	T4	T4	T4
		15.400	0.31	63	46	T4	T4	T4
		17.500	0.27	62	40	T4	T4	T4
		19.360	0.27	68	36	T4	T4	T4
		22.000	0.21	62	32	T4	T4	T4
		24.933	0.22	71	28	T4	T4	T4
		28.333	0.17	63	25	T4	T4	T4
		31.600	0.17	72	22	T4	T4	T4
		35.909	0.13	64	20	T4	T4	T4
		39.600	0.14	73	18	T4	T4	T4
		45.000	0.11	65	16	T4	T4	T4
GST04-2N □□□ □C	1C 2C 3C 4C 6C 7C	2.956	0.83	32	237	T4	T4	T4
	80 71 71 71 63 80	3.333	0.78	35	210	T4	T4	T4
	160 160 105 120 160 120	4.053	0.69	37	173	T4	T4	T4
		4.571	0.66	40	153	T4	T4	T4
		5.187	0.60	41	135	T4	T4	T4
		5.850	0.57	44	120	T4	T4	T4
		6.400	0.54	46	109	T4	T4	T4
		7.040	0.50	47	99	T4	T4	T4
		8.000	0.46	49	88	T4	T4	T4
		9.010	0.43	52	78	T4	T4	T4
		9.856	0.41	53	71	T4	T4	T4
		11.200	0.37	56	63	T4	T4	T4
		12.571	0.35	59	56	T4	T4	T4
		14.286	0.32	61	49	T4	T4	T4
		15.400	0.31	63	46	T4	T4	T4
		17.500	0.27	62	40	T4	T4	T4
		19.360	0.27	68	36	T4	T4	T4
	22.000	0.21	62	32	T4	T4	T4	
	24.933	0.22	71	28	T4	T4	T4	
	28.333	0.17	63	25	T4	T4	T4	
GST04-2N □□□ □D	1D 2D	2.956	0.83	32	237	T4	T4	T4
	90 80	3.333	0.78	35	210	T4	T4	T4
	160 160	4.053	0.69	37	173	T4	T4	T4
		4.571	0.66	40	153	T4	T4	T4
		5.187	0.60	41	135	T4	T4	T4
		5.850	0.57	44	120	T4	T4	T4
		6.400	0.54	46	109	T4	T4	T4
		7.040	0.50	47	99	T4	T4	T4
		8.000	0.46	49	88	T4	T4	T4
		9.010	0.43	52	78	T4	T4	T4
		9.856	0.41	53	71	T4	T4	T4
		11.200	0.37	56	63	T4	T4	T4
		12.571	0.35	59	56	T4	T4	T4
		14.286	0.32	61	49	T4	T4	T4
		15.400	0.31	63	46	T4	T4	T4
		17.500	0.27	62	40	T4	T4	T4

For dimensions, see page 3-88 onwards.

# Helical gearbox selection tables

Gearboxes with mounting flange for Atex category 2GD, 3GD (zone 1, 21, 2, 22)

$M_2 \text{ perm} \leq 54 \text{ Nm}$		GST05-1N □□□							
Gearbox with	Mounting flange size Motor frame size Flange diameter	i	$P_{1 \text{ perm}}$ [kW]	$M_2 \text{ perm}$ [Nm]	$n_2$ [rpm]	Temperature class			
						T3 (G) $\cong$ 190 °C (D) T4 (G) $\cong$ 125 °C (D)			
						Mounting position			
						A, B, E, F	C	D	
<b><math>n_1 = 2800 \text{ rpm}</math></b>									
GST05-1N □□□	<b>1B</b>		2.240	2.23	17	1250	T3	T3	-
	<b>71</b>		2.857	1.97	19	980	T3	T3	-
	<b>105</b>		4.556	1.36	21	615	T4	T4	-
			5.667	1.14	22	494	T4	T4	-
			7.333	0.92	23	382	T4	T4	-
			8.900	0.76	23	315	T4	T4	-
		11.375	0.61	23	246	T4	T4	-	
GST05-1N □□□	□C		2.048	3.04	21	1367	T3	T3	-
	<b>1C</b>	2C	3C	4C	6C	7C	T3	T3	-
	<b>80</b>	71	71	71	63	80	T3	T3	-
	<b>160</b>	160	105	120	160	120	T4	T3	-
							T4	T3	-
							T4	T4	-
							T4	T4	-
							T4	T4	-
GST05-1N □□□	□D		1.600	3.75	20	1750	T3	T3	-
	<b>1D</b>	2D	2.048	3.75	26	1367	T3	T3	-
	<b>90</b>	80	2.240	3.75	28	1250	T3	T3	-
	<b>160</b>	160	2.857	3.75	36	980	T3	T3	-
			3.500	3.49	41	800	T4	T3	-
			4.556	2.87	44	615	T4	T3	-
			5.667	2.30	44	494	T4	T4	-
GST05-1N □□□	□E		1.600	5.32	29	1750	T3	T3	-
	<b>1E</b>	1E	2E	3E	4E		T3	T3	-
	<b>100</b>	112	90	80	90		T3	T3	-
	<b>160</b>	160	160	160	200		T3	T3	-
							T3	T3	-
							T3	T3	-
							T3	T3	-
<b><math>n_1 = 1400 \text{ rpm}</math></b>									
GST05-1N □□□	<b>1B</b>		2.240	1.37	21	625	T4	T4	T4
	<b>71</b>		2.857	1.22	23	490	T4	T4	T4
	<b>105</b>		4.556	0.84	26	307	T4	T4	T4
			5.667	0.70	27	247	T4	T4	T4
			7.333	0.56	28	191	T4	T4	T4
			8.900	0.47	28	157	T4	T4	T4
			11.375	0.38	29	123	T4	T4	T4
GST05-1N □□□	□C		2.048	1.87	26	684	T4	T4	T4
	<b>1C</b>	2C	3C	4C	6C	7C	T4	T4	T4
	<b>80</b>	71	71	71	63	80	T4	T4	T4
	<b>160</b>	160	105	120	160	120	T4	T4	T4
							T4	T4	T4
							T4	T4	T4
							T4	T4	T4
							T4	T4	T4
GST05-1N □□□	□D		1.600	2.31	25	875	T4	T4	T4
	<b>1D</b>	2D	2.048	2.31	32	684	T4	T4	T4
	<b>90</b>	80	2.240	2.31	35	625	T4	T4	T4
	<b>160</b>	160	2.857	2.31	44	490	T4	T4	T4
			3.500	2.15	50	400	T4	T4	T4
			4.556	1.76	54	307	T4	T4	T4
			5.667	1.42	54	247	T4	T4	T4
GST05-1N □□□	□E		1.600	3.27	35	875	T4	T4	T4
	<b>1E</b>	1E	2E	3E	4E		T4	T4	T4
	<b>100</b>	112	90	80	90		T4	T4	T4
	<b>160</b>	160	160	160	200		T4	T4	T4
							T4	T4	T4
							T4	T4	T4

For dimensions, see page 3-88 onwards.

# Helical gearbox selection tables

Gearboxes with mounting flange for Atex category 2GD, 3GD (zone 1, 21, 2, 22)



$M_2 \text{ perm} \leq 54 \text{ Nm}$		GST05-1N □□□											
Gearbox with	Mounting flange size Motor frame size Flange diameter	i	$P_{1 \text{ perm}}$ [kW]	$M_2 \text{ perm}$ [Nm]	$n_2$ [rpm]	Temperature class							
						T3 (G) $\cong$ 190 °C (D) T4 (G) $\cong$ 125 °C (D)							
						Mounting position							
						A, B, E, F	C	D					
<b><math>n_1 = 700 \text{ rpm}</math></b>													
GST05-1N □□□	<b>1B</b>		2.240	0.72	22	313	T4	T4	T4				
	<b>71</b>		2.857	0.61	23	245	T4	T4	T4				
	<b>105</b>		4.556	0.42	26	154	T4	T4	T4				
			5.667	0.35	27	124	T4	T4	T4				
			7.333	0.28	28	96	T4	T4	T4				
			8.900	0.24	28	79	T4	T4	T4				
		11.375	0.19	29	62	T4	T4	T4					
GST05-1N □□□	□C		2.048	1.18	33	342	T4	T4	T4				
	<b>1C</b>	2C	3C	4C	6C	7C	2.240	1.13	34	313	T4	T4	T4
	<b>80</b>	71	71	71	63	80	2.857	0.95	37	245	T4	T4	T4
	<b>160</b>	160	105	120	160	120	3.500	0.82	39	200	T4	T4	T4
							4.556	0.66	40	154	T4	T4	T4
							5.667	0.55	42	124	T4	T4	T4
							7.333	0.44	43	96	T4	T4	T4
							8.900	0.35	42	79	T4	T4	T4
GST05-1N □□□	□D		1.600	1.54	33	438	T4	T4	T4				
	<b>1D</b>	2D	2.048	1.50	41	342	T4	T4	T4				
	<b>90</b>	80	2.240	1.48	45	313	T4	T4	T4				
	<b>160</b>	160	2.857	1.23	47	245	T4	T4	T4				
			3.500	1.07	50	200	T4	T4	T4				
			4.556	0.88	54	154	T4	T4	T4				
			5.667	0.71	54	124	T4	T4	T4				
GST05-1N □□□	□E		1.600	1.64	35	438	T4	T4	T4				
	<b>1E</b>	<b>1E</b>	2E	3E	4E	2.048	1.50	41	342	T4	T4	T4	
	<b>100</b>	<b>112</b>	90	80	90	2.240	1.48	45	313	T4	T4	T4	
	<b>160</b>	<b>160</b>	160	160	200	2.857	1.23	47	245	T4	T4	T4	
						3.500	1.07	50	200	T4	T4	T4	

For dimensions, see page 3-88 onwards.

# Helical gearbox selection tables

Gearboxes with mounting flange for Atex category 2GD, 3GD (zone 1, 21, 2, 22)

$M_2 \text{ perm} \leq 165 \text{ Nm}$		GST05-2N □□□							
Gearbox with	Mounting flange size Motor frame size Flange diameter	i	$P_1 \text{ perm}$ [kW]	$M_2 \text{ perm}$ [Nm]	$n_2$ [rpm]	Temperature class			
						T3 (G) $\cong$ 190 °C (D) T4 (G) $\cong$ 125 °C (D)			
						Mounting position			
						A, B, E, F	C	D	
<b><math>n_1 = 2800 \text{ rpm}</math></b>									
GST05-2N □□□	<b>1B</b>	6.400	2.23	47	438	T3	T3	-	
	<b>71</b>	7.238	1.97	47	387	T3	T3	-	
	<b>105</b>	8.163	1.97	53	343	T3	T3	-	
		11.200	2.23	83	250	T3	T3	-	
		13.016	1.36	59	215	T4	T4	-	
		14.356	1.14	54	195	T4	T4	-	
		16.190	1.30	69	173	T4	T4	-	
		20.044	1.55	103	140	T4	T4	-	
		22.778	1.55	117	123	T4	T4	-	
		24.933	1.30	107	112	T4	T4	-	
		28.333	1.30	121	99	T4	T4	-	
		32.267	1.04	111	87	T4	T4	-	
		36.667	1.04	126	76	T4	T4	-	
		39.160	0.87	112	72	T4	T4	-	
		44.500	0.94	139	63	T4	T4	-	
		50.050	0.75	125	56	T4	T4	-	
		56.875	0.75	142	49	T4	T4	-	
	GST05-2N □□□	□C	5.187	3.04	52	540	T3	T3	-
		<b>1C</b> 2C 3C 4C 6C 7C	5.850	3.04	59	479	T3	T3	-
		<b>80</b> 71 71 71 63 80	6.400	3.04	64	438	T3	T3	-
<b>160</b> 160 105 120 160 120		7.238	3.04	73	387	T3	T3	-	
		8.163	2.88	78	343	T3	T3	-	
		9.010	2.70	80	311	T3	T3	-	
		10.000	2.54	84	280	T4	T3	-	
		11.200	2.33	86	250	T3	T3	-	
		13.016	2.14	92	215	T4	T3	-	
		14.356	1.79	85	195	T4	T4	-	
		16.190	2.03	109	173	T4	T4	-	
		17.500	1.98	115	160	T4	T3	-	
		20.044	1.85	123	140	T4	T3	-	
		22.778	1.68	127	123	T4	T3	-	
		24.933	1.60	132	112	T4	T4	-	
		28.333	1.45	136	99	T4	T4	-	
		32.267	1.36	146	87	T4	T4	-	
		36.667	1.13	137	76	T4	T4	-	
		39.160	1.17	152	72	T4	T4	-	
		44.500	1.01	149	63	T4	T4	-	
GST05-2N □□□	□D	2.956	3.75	37	947	T3	T3	-	
	<b>1D</b> 2D	3.333	3.75	41	840	T3	T3	-	
	<b>90</b> 80	4.053	3.75	50	691	T3	T3	-	
	<b>160</b> 160	4.571	3.75	57	613	T3	T3	-	
		5.187	3.54	61	540	T3	T3	-	
		5.850	3.54	69	479	T3	T3	-	
		6.400	3.35	71	438	T3	T3	-	
		7.238	3.06	73	387	T3	T3	-	
		8.163	2.88	78	343	T3	T3	-	
		9.010	2.70	80	311	T3	T3	-	
		10.000	2.54	84	280	T4	T3	-	
		11.200	2.33	86	250	T3	T3	-	
		13.016	2.16	93	215	T4	T3	-	
		14.356	1.99	95	195	T4	T4	-	
		16.190	2.13	114	173	T4	T4	-	
		17.500	1.98	115	160	T4	T3	-	
		20.044	1.85	123	140	T4	T3	-	
		22.778	1.68	127	123	T4	T3	-	
		24.933	1.60	132	112	T4	T4	-	
		28.333	1.45	136	99	T4	T4	-	

For dimensions, see page 3-88 onwards.



# Helical gearbox selection tables

Gearboxes with mounting flange for Atex category 2GD, 3GD (zone 1, 21, 2, 22)



$M_2 \text{ perm} \leq 165 \text{ Nm}$					GST05-2N □□□						
Gearbox with	Mounting flange size Motor frame size Flange diameter				i	$P_{1 \text{ perm}}$ [kW]	$M_2 \text{ perm}$ [Nm]	$n_2$ [rpm]	Temperature class		
	T3 (G) $\cong$ 190 °C (D) T4 (G) $\cong$ 125 °C (D)			Mounting position							
			A, B, E, F	C	D						
<b><math>n_1 = 2800 \text{ rpm}</math></b>											
GST05-2N □□□	□E				2.956	4.52	44	947	T3	T3	-
	1E	2E	3E	4E	3.333	4.79	53	840	T3	T3	-
	100	112	90	90	4.053	4.10	55	691	T3	T3	-
	160	160	160	200	4.571	4.09	62	613	T3	T3	-
					5.187	3.54	61	540	T3	T3	-
					5.850	3.54	69	479	T3	T3	-
					6.400	3.35	71	438	T3	T3	-
					7.238	3.06	73	387	T3	T3	-
					8.163	2.88	78	343	T3	T3	-
					9.010	2.70	80	311	T3	T3	-
					10.000	2.54	84	280	T3	T3	-
					11.200	2.33	86	250	T3	T3	-
					17.500	1.98	115	160	T3	T3	-
<b><math>n_1 = 1400 \text{ rpm}</math></b>											
GST05-2N □□□	1B				6.400	1.37	58	219	T4	T4	T4
	71				7.238	1.22	58	193	T4	T4	T4
	105				8.163	1.22	66	172	T4	T4	T4
					11.200	1.37	102	125	T4	T4	T4
					13.016	0.84	72	108	T4	T4	T4
					14.356	0.70	67	98	T4	T4	T4
					16.190	0.70	75	87	T4	T4	T4
					20.044	0.84	111	70	T4	T4	T4
					22.778	0.84	127	62	T4	T4	T4
					24.933	0.70	116	56	T4	T4	T4
					28.333	0.70	132	49	T4	T4	T4
					32.267	0.56	120	43	T4	T4	T4
					36.667	0.56	137	38	T4	T4	T4
					39.160	0.47	122	36	T4	T4	T4
					44.500	0.47	139	32	T4	T4	T4
					50.050	0.38	125	28	T4	T4	T4
					56.875	0.38	142	25	T4	T4	T4
GST05-2N □□□	□C				5.187	1.87	64	270	T4	T4	T4
	1C	2C	3C	4C	5.850	1.87	72	239	T4	T4	T4
	80	71	71	63	6.400	1.87	79	219	T4	T4	T4
	160	160	105	120	7.238	1.87	90	193	T4	T4	T4
					8.163	1.78	96	172	T4	T4	T4
					9.010	1.66	99	155	T4	T4	T4
					10.000	1.56	104	140	T4	T4	T4
					11.200	1.43	106	125	T4	T4	T4
					13.016	1.32	113	108	T4	T4	T4
					14.356	1.10	105	98	T4	T4	T4
					16.190	1.10	118	87	T4	T4	T4
					17.500	1.08	125	80	T4	T4	T4
					20.044	1.00	133	70	T4	T4	T4
					22.778	0.91	137	62	T4	T4	T4
					24.933	0.87	143	56	T4	T4	T4
					28.333	0.78	147	49	T4	T4	T4
					32.267	0.74	158	43	T4	T4	T4
					36.667	0.61	148	38	T4	T4	T4
					39.160	0.64	165	36	T4	T4	T4
					44.500	0.51	149	32	T4	T4	T4
GST05-2N □□□	□D				2.956	2.31	45	474	T4	T4	T4
	1D	2D			3.333	2.31	51	420	T4	T4	T4
	90	80			4.053	2.31	62	345	T4	T4	T4
	160	160			4.571	2.31	70	306	T4	T4	T4
					5.187	2.18	75	270	T4	T4	T4
					5.850	2.18	84	239	T4	T4	T4
					6.400	2.06	87	219	T4	T4	T4
					7.238	1.88	90	193	T4	T4	T4
					8.163	1.78	96	172	T4	T4	T4

For dimensions, see page 3-88 onwards.

# Helical gearbox selection tables

Gearboxes with mounting flange for Atex category 2GD, 3GD (zone 1, 21, 2, 22)

$M_2 \text{ perm} \leq 165 \text{ Nm}$				GST05-2N □□□							
Gearbox with	Mounting flange size Motor frame size Flange diameter			i	$P_1 \text{ perm}$ [kW]	$M_2 \text{ perm}$ [Nm]	$n_2$ [rpm]	Temperature class T3 (G) $\cong$ 190 °C (D) T4 (G) $\cong$ 125 °C (D)			
								Mounting position A, B, C D E, F			
<b><math>n_1 = 1400 \text{ rpm}</math></b>											
GST05-2N □□□	□D			9.010	1.66	99	155	T4	T4	T4	
	1D	2D		10.000	1.56	104	140	T4	T4	T4	
	90	80		11.200	1.43	106	125	T4	T4	T4	
	160	160		13.016	1.33	114	108	T4	T4	T4	
				14.356	1.23	116	98	T4	T4	T4	
				16.190	1.15	124	87	T4	T4	T4	
				17.500	1.08	125	80	T4	T4	T4	
				20.044	1.00	133	70	T4	T4	T4	
				22.778	0.91	137	62	T4	T4	T4	
				24.933	0.87	143	56	T4	T4	T4	
				28.333	0.78	147	49	T4	T4	T4	
	GST05-2N □□□	□E			2.956	2.78	54	474	T4	T3	T4
		1E	1E	2E	3E	4E			T4	T3	T4
		100	112	90	80	90			T4	T4	T4
160		160	160	160	200			T4	T4	T4	
								T4	T4	T4	
								T4	T4	T4	
								T4	T4	T4	
								T4	T4	T4	
								T4	T4	T4	
								T4	T4	T4	
								T4	T4	T4	
								T4	T4	T4	
								T4	T4	T4	
								T4	T4	T4	
								T4	T4	T4	
								T4	T4	T4	
<b><math>n_1 = 700 \text{ rpm}</math></b>											
GST05-2N □□□	1B			6.400	0.72	61	109	T4	T4	T4	
	71			7.238	0.61	58	97	T4	T4	T4	
	105			8.163	0.61	66	86	T4	T4	T4	
				11.200	0.72	106	63	T4	T4	T4	
				13.016	0.42	72	54	T4	T4	T4	
				14.356	0.35	67	49	T4	T4	T4	
				16.190	0.35	75	43	T4	T4	T4	
				20.044	0.42	111	35	T4	T4	T4	
				22.778	0.42	127	31	T4	T4	T4	
				24.933	0.35	116	28	T4	T4	T4	
				28.333	0.35	132	25	T4	T4	T4	
				32.267	0.28	120	22	T4	T4	T4	
				36.667	0.28	137	19	T4	T4	T4	
				39.160	0.24	122	18	T4	T4	T4	
				44.500	0.24	139	16	T4	T4	T4	
				50.050	0.19	125	14	T4	T4	T4	
				56.875	0.19	142	12	T4	T4	T4	
	GST05-2N □□□	□C			5.187	1.09	75	135	T4	T4	T4
		1C	2C	3C	4C	6C	7C		T4	T4	T4
80		71	71	71	63	80		T4	T4	T4	
160		160	105	120	160	120		T4	T4	T4	
								T4	T4	T4	
								T4	T4	T4	
								T4	T4	T4	
								T4	T4	T4	
								T4	T4	T4	
								T4	T4	T4	
								T4	T4	T4	
								T4	T4	T4	
								T4	T4	T4	
								T4	T4	T4	
								T4	T4	T4	
								T4	T4	T4	

For dimensions, see page 3-88 onwards.

# Helical gearbox selection tables

Gearboxes with mounting flange for Atex category 2GD, 3GD (zone 1, 21, 2, 22)



$M_2 \text{ perm} \leq 165 \text{ Nm}$		GST05-2N □□□				
Gearbox with	Mounting flange size Motor frame size Flange diameter	i	$P_1 \text{ perm}$ [kW]	$M_2 \text{ perm}$ [Nm]	$n_2$ [rpm]	Temperature class
						T3 (G) $\cong$ 190 °C (D) T4 (G) $\cong$ 125 °C (D)
						Mounting position
						A, B, E, F
						C
						D

## $n_1 = 700 \text{ rpm}$

GST05-2N □□□ □C	1C	2C	3C	4C	6C	7C	24.933	0.43	143	28	T4	T4	T4
	80	71	71	71	63	80	28.333	0.39	147	25	T4	T4	T4
	160	160	105	120	160	120	32.267	0.37	158	22	T4	T4	T4
							36.667	0.30	148	19	T4	T4	T4
							39.160	0.32	165	18	T4	T4	T4
							44.500	0.25	149	16	T4	T4	T4
GST05-2N □□□ □D	1D	2D					2.956	1.39	54	237	T4	T4	T4
	90	80					3.333	1.47	65	210	T4	T4	T4
	160	160					4.053	1.26	68	173	T4	T4	T4
							4.571	1.26	76	153	T4	T4	T4
							5.187	1.09	75	135	T4	T4	T4
							5.850	1.09	84	120	T4	T4	T4
							6.400	1.03	87	109	T4	T4	T4
							7.238	0.94	90	97	T4	T4	T4
							8.163	0.89	96	86	T4	T4	T4
							9.010	0.83	99	78	T4	T4	T4
							10.000	0.78	104	70	T4	T4	T4
							11.200	0.72	106	63	T4	T4	T4
							13.016	0.66	114	54	T4	T4	T4
							14.356	0.61	116	49	T4	T4	T4
							16.190	0.58	124	43	T4	T4	T4
							17.500	0.54	125	40	T4	T4	T4
							20.044	0.50	133	35	T4	T4	T4
							22.778	0.45	137	31	T4	T4	T4
							24.933	0.43	143	28	T4	T4	T4
							28.333	0.39	147	25	T4	T4	T4
GST05-2N □□□ □E	1E	1E	2E	3E	4E		2.956	1.39	54	237	T4	T4	T4
	100	112	90	80	90		3.333	1.47	65	210	T4	T4	T4
	160	160	160	160	200		4.053	1.26	68	173	T4	T4	T4
							4.571	1.26	76	153	T4	T4	T4
							5.187	1.09	75	135	T4	T4	T4
							5.850	1.09	84	120	T4	T4	T4
							6.400	1.03	87	109	T4	T4	T4
							7.238	0.94	90	97	T4	T4	T4
							8.163	0.89	96	86	T4	T4	T4
							9.010	0.83	99	78	T4	T4	T4
							10.000	0.78	104	70	T4	T4	T4
							11.200	0.72	106	63	T4	T4	T4
							17.500	0.54	125	40	T4	T4	T4

For dimensions, see page 3-88 onwards.

# Helical gearbox selection tables

Gearboxes with mounting flange for Atex category 2GD, 3GD (zone 1, 21, 2, 22)

$M_2 \text{ perm} \leq 172 \text{ Nm}$		GST05-3N □□□							
Gearbox with	Mounting flange size Motor frame size Flange diameter	i	$P_{1 \text{ perm}}$	$M_2 \text{ perm}$	$n_2$	Temperature class			
						T3 (G) $\cong$ 190 °C (D) T4 (G) $\cong$ 125 °C (D)			
						Mounting position			
						A, B, E, F	C	D	
<b><math>n_1 = 1400 \text{ rpm}</math></b>									
GST05-3N □□□	1A	36.267	0.45	106	39	T4	T4	T4	
	63	46.259	0.38	114	30	T4	T4	T4	
	90	63.467	0.35	146	22	T4	T4	T4	
		71.238	0.28	132	20	T4	T4	T4	
		80.952	0.28	147	17	T4	T4	T4	
		91.746	0.24	143	15	T4	T4	T4	
		116.277	0.20	154	12	T4	T4	T4	
		124.667	0.18	149	11	T4	T4	T4	
		145.714	0.17	166	9.6	T4	T4	T4	
		160.556	0.14	150	8.7	T4	T4	T4	
		179.067	0.14	167	7.8	T4	T4	T4	
		191.973	0.14	170	7.3	T4	T4	T4	
		224.400	0.12	169	6.2	T4	T4	T4	
		255.000	0.09	152	5.5	T4	T4	T4	
		295.638	0.09	172	4.7	T4	T4	T4	
	335.952	0.07	154	4.2	T4	T4	T4		
GST05-3N □□□	□B	36.267	0.45	106	39	T4	T4	T4	
	1B 2B	46.259	0.38	114	30	T4	T4	T4	
	71 63	56.667	0.33	122	25	T4	T4	T4	
	105 90	63.467	0.35	146	22	T4	T4	T4	
		71.238	0.28	132	20	T4	T4	T4	
		80.952	0.28	147	17	T4	T4	T4	
		91.746	0.24	143	15	T4	T4	T4	
		99.167	0.23	148	14	T4	T4	T4	
		116.277	0.20	154	12	T4	T4	T4	
		124.667	0.18	149	11	T4	T4	T4	
		145.714	0.17	166	9.6	T4	T4	T4	
		160.556	0.14	150	8.7	T4	T4	T4	
		179.067	0.14	167	7.8	T4	T4	T4	
		224.400	0.12	169	6.2	T4	T4	T4	
		255.000	0.09	152	5.5	T4	T4	T4	
GST05-3N □□□	□C	36.267	0.45	106	39	T4	T4	T4	
	1C 2C 3C 4C 6C 7C	46.259	0.38	114	30	T4	T4	T4	
	80 71 71 71 63 80	56.667	0.33	122	25	T4	T4	T4	
	160 160 105 120 160 120	63.467	0.35	146	22	T4	T4	T4	
		71.238	0.28	132	20	T4	T4	T4	
		80.952	0.28	147	17	T4	T4	T4	
		91.746	0.24	143	15	T4	T4	T4	
		99.167	0.23	148	14	T4	T4	T4	
		124.667	0.18	149	11	T4	T4	T4	
		160.556	0.14	150	8.7	T4	T4	T4	
	<b><math>n_1 = 700 \text{ rpm}</math></b>								
	GST05-3N □□□	1A	36.267	0.22	106	19	T4	T4	T4
		63	46.259	0.19	114	15	T4	T4	T4
		90	63.467	0.18	146	11	T4	T4	T4
			71.238	0.14	132	9.8	T4	T4	T4
		80.952	0.14	147	8.7	T4	T4	T4	
		91.746	0.12	143	7.6	T4	T4	T4	
		116.277	0.10	154	6.0	T4	T4	T4	
		124.667	0.09	149	5.6	T4	T4	T4	
		145.714	0.09	166	4.8	T4	T4	T4	
		160.556	0.07	150	4.4	T4	T4	T4	
		179.067	0.07	167	3.9	T4	T4	T4	
		191.973	0.07	170	3.7	T4	T4	T4	
		224.400	0.06	169	3.1	T4	T4	T4	
		255.000	0.05	152	2.8	T4	T4	T4	
		295.638	0.04	172	2.4	T4	T4	T4	
	335.952	0.04	154	2.1	T4	T4	T4		

For dimensions, see page 3-88 onwards.

# Helical gearbox selection tables

Gearboxes with mounting flange for Atex category 2GD, 3GD (zone 1, 21, 2, 22)



$M_2 \text{ perm} \leq 172 \text{ Nm}$		GST05-3N □□□						
Gearbox with	Mounting flange size Motor frame size Flange diameter	i	$P_{1 \text{ perm}}$ [kW]	$M_2 \text{ perm}$ [Nm]	$n_2$ [rpm]	Temperature class		
						T3 (G) $\cong$ 190 °C (D) T4 (G) $\cong$ 125 °C (D)		
						Mounting position		
						A, B, E, F	C	D
<b><math>n_1 = 700 \text{ rpm}</math></b>								
GST05-3N □□□ □B	1B 2B	36.267	0.22	106	19	T4	T4	T4
	71 63	46.259	0.19	114	15	T4	T4	T4
	105 90	56.667	0.17	122	12	T4	T4	T4
		63.467	0.18	146	11	T4	T4	T4
		71.238	0.14	132	9.8	T4	T4	T4
		80.952	0.14	147	8.7	T4	T4	T4
		91.746	0.12	143	7.6	T4	T4	T4
		99.167	0.11	148	7.1	T4	T4	T4
		116.277	0.10	154	6.0	T4	T4	T4
		124.667	0.09	149	5.6	T4	T4	T4
		145.714	0.09	166	4.8	T4	T4	T4
		160.556	0.07	150	4.4	T4	T4	T4
		179.067	0.07	167	3.9	T4	T4	T4
		224.400	0.06	169	3.1	T4	T4	T4
		255.000	0.05	152	2.8	T4	T4	T4
GST05-3N □□□ □C	1C 2C 3C 4C 6C 7C	36.267	0.22	106	19	T4	T4	T4
	80 71 71 71 63 80	46.259	0.19	114	15	T4	T4	T4
	160 160 105 120 160 120	56.667	0.17	122	12	T4	T4	T4
		63.467	0.18	146	11	T4	T4	T4
		71.238	0.14	132	9.8	T4	T4	T4
		80.952	0.14	147	8.7	T4	T4	T4
		91.746	0.12	143	7.6	T4	T4	T4
		99.167	0.11	148	7.1	T4	T4	T4
		124.667	0.09	149	5.6	T4	T4	T4
		160.556	0.07	150	4.4	T4	T4	T4

For dimensions, see page 3-88 onwards.

# Helical gearbox selection tables

Gearboxes with mounting flange for Atex category 2GD, 3GD (zone 1, 21, 2, 22)

$M_2 \text{ perm} \leq 87 \text{ Nm}$		GST06-1N □□□						
Gearbox with	Mounting flange size Motor frame size Flange diameter	i	$P_1 \text{ perm}$ [kW]	$M_2 \text{ perm}$ [Nm]	$n_2$ [rpm]	Temperature class		
						T3 (G) $\cong$ 190 °C (D) T4 (G) $\cong$ 125 °C (D)		
						Mounting position		
						A, B, E, F	C	D
<b><math>n_1 = 2800 \text{ rpm}</math></b>								
GST06-1N □□□	<b>1B</b>	7.333	1.13	28	382	T4	T4	-
	<b>71</b>	8.900	0.94	28	315	T4	T4	-
	<b>105</b>	11.250	0.75	29	249	T4	T4	-
GST06-1N □□□	□C	2.857	3.04	29	980	T3	T3	-
	<b>1C</b> 2C 3C 4C 6C 7C	4.556	2.64	40	615	T4	T3	-
	<b>80</b> 71 71 71 63 80	5.667	2.20	42	494	T4	T3	-
	<b>160</b> 160 105 120 160 120	7.333	1.77	44	382	T4	T4	-
		8.900	1.48	44	315	T4	T4	-
		11.250	1.18	45	249	T4	T4	-
GST06-1N □□□	□D	2.048	3.75	26	1367	T3	T3	-
	<b>1D</b> 2D	2.240	3.75	28	1250	T3	T3	-
	<b>90</b> 80	2.857	3.75	36	980	T3	T3	-
	<b>160</b> 160	3.500	3.75	44	800	T3	T3	-
		4.556	3.55	54	615	T4	T3	-
		5.667	2.96	56	494	T4	T3	-
		7.333	2.38	59	382	T4	T4	-
		8.900	1.98	59	315	T4	T4	-
GST06-1N □□□	□E	1.600	7.36	40	1750	T3	T3	-
	<b>1E</b> 1E 2E 3E 4E	2.048	6.78	47	1367	T3	T3	-
	<b>100</b> 112 90 80 90	2.240	6.72	51	1250	T3	T3	-
	<b>160</b> 160 160 160 200	2.857	6.20	60	980	T3	T3	-
		3.500	5.74	67	800	T3	T3	-
		4.556	4.42	68	615	T3	T3	-
		5.667	3.70	70	494	T4	T3	-
GST06-1N □□□	□F	1.600	7.36	40	1750	T3	-	-
	<b>1F</b> 1F 2F 3F	2.048	6.78	47	1367	T3	-	-
	<b>100</b> 112 90 90	2.240	6.72	51	1250	T3	-	-
	<b>160</b> 160 160 200	2.857	6.20	60	980	T3	-	-
		3.500	5.74	67	800	T3	-	-
<b><math>n_1 = 1400 \text{ rpm}</math></b>								
GST06-1N □□□	<b>1B</b>	7.333	0.69	34	191	T4	T4	T4
	<b>71</b>	8.900	0.58	35	157	T4	T4	T4
	<b>105</b>	11.250	0.46	35	124	T4	T4	T4
GST06-1N □□□	□C	2.857	1.87	36	490	T4	T4	T4
	<b>1C</b> 2C 3C 4C 6C 7C	4.556	1.62	50	307	T4	T4	T4
	<b>80</b> 71 71 71 63 80	5.667	1.36	52	247	T4	T4	T4
	<b>160</b> 160 105 120 160 120	7.333	1.09	54	191	T4	T4	T4
		8.900	0.91	54	157	T4	T4	T4
		11.250	0.73	55	124	T4	T4	T4
GST06-1N □□□	□D	2.048	2.31	32	684	T4	T4	T4
	<b>1D</b> 2D	2.240	2.31	35	625	T4	T4	T4
	<b>90</b> 80	2.857	2.31	44	490	T4	T4	T4
	<b>160</b> 160	3.500	2.31	54	400	T4	T4	T4
		4.556	2.18	67	307	T4	T4	T4
		5.667	1.82	69	247	T4	T4	T4
		7.333	1.46	72	191	T4	T4	T4
		8.900	1.22	73	157	T4	T4	T4
GST06-1N □□□	□E	1.600	4.53	49	875	T4	T3	T4
	<b>1E</b> 1E 2E 3E 4E	2.048	4.18	57	684	T4	T4	T4
	<b>100</b> 112 90 80 90	2.240	4.14	62	625	T4	T4	T4
	<b>160</b> 160 160 160 200	2.857	3.82	73	490	T4	T4	T4
		3.500	3.53	83	400	T4	T4	T4
		4.556	2.72	83	307	T4	T4	T4
		5.667	2.28	87	247	T4	T4	T4

For dimensions, see page 3-88 onwards.

# Helical gearbox selection tables

Gearboxes with mounting flange for Atex category 2GD, 3GD (zone 1, 21, 2, 22)



$M_2 \text{ perm} \leq 87 \text{ Nm}$				GST06-1N □□□						
Gearbox with	Mounting flange size			i	$P_1 \text{ perm}$	$M_2 \text{ perm}$	$n_2$	Temperature class		
	Motor frame size	Flange diameter						T3 (G) $\cong$ 190 °C (D) T4 (G) $\cong$ 125 °C (D)		
								Mounting position		
					[kW]	[Nm]	[rpm]	A, B, E, F	C	D
<b><math>n_1 = 1400 \text{ rpm}</math></b>										
GST06-1N □□□	□F			1.600	4.53	49	875	T4	T3	T4
	<b>1F</b>	<b>1F</b>	2F 3F	2.048	4.18	57	684	T4	T4	T4
	<b>100</b>	<b>112</b>	90 90	2.240	4.14	62	625	T4	T4	T4
	<b>160</b>	<b>160</b>	160 200	2.857	3.82	73	490	T4	T4	T4
				3.500	3.53	83	400	T4	T4	T4
<b><math>n_1 = 700 \text{ rpm}</math></b>										
GST06-1N □□□	<b>1B</b>			7.333	0.35	34	96	T4	T4	T4
	<b>71</b>			8.900	0.29	35	79	T4	T4	T4
	<b>105</b>			11.250	0.23	35	62	T4	T4	T4
GST06-1N □□□	□C			2.857	1.18	45	245	T4	T4	T4
	<b>1C</b>	2C 3C 4C 6C 7C		4.556	0.81	50	154	T4	T4	T4
	<b>80</b>	71 71 71 63 80		5.667	0.68	52	124	T4	T4	T4
	<b>160</b>	160 105 120 160 120		7.333	0.54	54	96	T4	T4	T4
				8.900	0.45	54	79	T4	T4	T4
				11.250	0.36	55	62	T4	T4	T4
GST06-1N □□□	□D			2.048	1.54	42	342	T4	T4	T4
	<b>1D</b>	2D		2.240	1.54	46	313	T4	T4	T4
	<b>90</b>	80		2.857	1.54	59	245	T4	T4	T4
	<b>160</b>	160		3.500	1.36	64	200	T4	T4	T4
				4.556	1.09	67	154	T4	T4	T4
				5.667	0.91	69	124	T4	T4	T4
				7.333	0.73	72	96	T4	T4	T4
				8.900	0.61	73	79	T4	T4	T4
GST06-1N □□□	□E			1.600	2.27	49	438	T4	T4	T4
	<b>1E</b>	<b>1E</b>	2E 3E 4E	2.048	2.09	57	342	T4	T4	T4
	<b>100</b>	<b>112</b>	90 80 90	2.240	2.07	62	313	T4	T4	T4
	<b>160</b>	<b>160</b>	160 160 200	2.857	1.91	73	245	T4	T4	T4
				3.500	1.77	83	200	T4	T4	T4
				4.556	1.36	83	154	T4	T4	T4
				5.667	1.14	87	124	T4	T4	T4
GST06-1N □□□	□F			1.600	2.27	49	438	T4	T4	T4
	<b>1F</b>	<b>1F</b>	2F 3F	2.048	2.09	57	342	T4	T4	T4
	<b>100</b>	<b>112</b>	90 90	2.240	2.07	62	313	T4	T4	T4
	<b>160</b>	<b>160</b>	160 200	2.857	1.91	73	245	T4	T4	T4
				3.500	1.77	83	200	T4	T4	T4

For dimensions, see page 3-88 onwards.

# Helical gearbox selection tables

Gearboxes with mounting flange for Atex category 2GD, 3GD (zone 1, 21, 2, 22)

$M_2 \text{ perm} \leq 325 \text{ Nm}$		GST06-2N □□□							
Gearbox with	Mounting flange size Motor frame size Flange diameter	i	$P_1 \text{ perm}$ [kW]	$M_2 \text{ perm}$ [Nm]	$n_2$ [rpm]	Temperature class			
						T3 (G) $\cong$ 190 °C (D) T4 (G) $\cong$ 125 °C (D)			
						Mounting position			
						A, B, E, F	C	D	
<b><math>n_1 = 2800 \text{ rpm}</math></b>									
GST06-2N □□□	<b>1B</b>		32.267	1.28	137	87	T4	T4	-
	<b>71</b>		36.667	1.28	155	76	T4	T4	-
	<b>105</b>		39.160	1.07	139	72	T4	T4	-
			44.500	1.16	171	63	T4	T4	-
			49.500	0.93	152	57	T4	T4	-
			56.250	0.93	173	50	T4	T4	-
GST06-2N □□□	□C		8.163	3.04	82	343	T3	T3	-
	<b>1C</b>	2C	3C	4C	6C	7C	T3	T3	-
	<b>80</b>	71	71	71	63	80	T3	T3	-
	<b>160</b>	160	105	120	160	120	T4	T3	-
							T4	T3	-
							T4	T3	-
							T4	T3	-
							T4	T3	-
							T4	T3	-
							T4	T3	-
							T4	T3	-
							T4	T3	-
							T4	T3	-
							T4	T3	-
	GST06-2N □□□	□D		5.324	3.75	66	526	T3	T3
<b>1D</b>		2D	5.850	3.75	73	479	T3	T3	-
<b>90</b>		80	6.400	3.75	79	438	T3	T3	-
<b>160</b>		160	8.163	3.75	101	343	T3	T3	-
			9.010	3.75	112	311	T3	T3	-
			10.000	3.75	124	280	T3	T3	-
			11.200	3.75	139	250	T3	T3	-
			12.571	3.75	156	223	T3	T3	-
			14.286	3.75	177	196	T3	T3	-
			15.400	4.26	217	182	T3	T3	-
			17.500	4.19	243	160	T3	T3	-
			20.044	4.03	267	140	T4	T3	-
			22.778	3.51	264	123	T4	T3	-
			24.933	3.36	278	112	T4	T3	-
			28.333	3.03	284	99	T4	T3	-
			32.267	2.70	288	87	T4	T4	-
			36.667	2.45	297	76	T4	T4	-
			39.160	2.25	292	72	T4	T4	-
			44.500	2.21	325	63	T4	T4	-
GST06-2N □□□		□E		3.033	10.72	108	923	T3	T3
	<b>1E</b>	<b>1E</b>	3.333	10.72	118	840	T3	T3	-
	<b>100</b>	<b>112</b>	90	80	90	T3	T3	-	
	<b>160</b>	<b>160</b>	160	160	200	T3	T3	-	
						T3	T3	-	
						T3	T3	-	
						T3	T3	-	
						T3	T3	-	
						T3	T3	-	
						T3	T3	-	
						T3	T3	-	
						T3	T3	-	
						T3	T3	-	
						T3	T3	-	
						T3	T3	-	
						T3	T3	-	
						T3	T3	-	
						T4	T3	-	

For dimensions, see page 3-88 onwards.



# Helical gearbox selection tables

Gearboxes with mounting flange for Atex category 2GD, 3GD (zone 1, 21, 2, 22)



$M_2 \text{ perm} \leq 325 \text{ Nm}$				GST06-2N □□□							
Gearbox with	Mounting flange size			i	$P_1 \text{ perm}$	$M_2 \text{ perm}$	$n_2$	Temperature class			
	Motor frame size	Flange diameter						T3 (G) $\cong$ 190 °C (D) T4 (G) $\cong$ 125 °C (D)			
								Mounting position			
					[kW]	[Nm]	[rpm]	A, B, E, F	C	D	
<b><math>n_1 = 2800 \text{ rpm}</math></b>											
GST06-2N □□□	□F			3.033	10.72	108	923	T3	-	-	
	1F	1F	2F	3.333	10.72	118	840	T3	-	-	
	100	112	90	4.160	9.80	135	673	T3	-	-	
	160	160	160	4.571	9.01	136	613	T3	-	-	
				5.324	8.10	143	526	T3	-	-	
				5.850	7.82	151	479	T3	-	-	
				6.400	7.39	156	438	T3	-	-	
				7.040	6.92	161	398	T3	-	-	
				8.163	6.36	172	343	T3	-	-	
				9.010	5.97	178	311	T3	-	-	
				10.000	5.65	187	280	T3	-	-	
				11.200	5.16	191	250	T3	-	-	
				12.571	4.84	201	223	T3	-	-	
				14.286	4.43	209	196	T3	-	-	
				15.400	4.84	246	182	T3	-	-	
				17.500	4.19	243	160	T3	-	-	
	<b><math>n_1 = 1400 \text{ rpm}</math></b>										
GST06-2N □□□	1B			32.267	0.69	148	43	T4	T4	T4	
	71			36.667	0.69	168	38	T4	T4	T4	
	105			39.160	0.58	150	36	T4	T4	T4	
				44.500	0.58	171	32	T4	T4	T4	
				49.500	0.46	152	28	T4	T4	T4	
				56.250	0.46	173	25	T4	T4	T4	
GST06-2N □□□	□C			8.163	1.87	101	172	T4	T4	T4	
	1C	2C	3C	12.571	1.87	156	111	T4	T4	T4	
	80	71	71	14.286	1.87	177	98	T4	T4	T4	
	160	160	105	20.044	1.62	215	70	T4	T4	T4	
				22.778	1.62	245	62	T4	T4	T4	
				24.933	1.36	224	56	T4	T4	T4	
				28.333	1.36	255	49	T4	T4	T4	
				32.267	1.09	233	43	T4	T4	T4	
				36.667	1.09	264	38	T4	T4	T4	
				39.160	0.91	236	36	T4	T4	T4	
				44.500	0.91	268	32	T4	T4	T4	
				49.500	0.73	239	28	T4	T4	T4	
				56.250	0.73	271	25	T4	T4	T4	
	GST06-2N □□□	□D			5.324	2.31	81	263	T4	T4	T4
		1D	2D		5.850	2.31	89	239	T4	T4	T4
90		80		6.400	2.31	98	219	T4	T4	T4	
160		160		8.163	2.31	125	172	T4	T4	T4	
				9.010	2.31	138	155	T4	T4	T4	
				10.000	2.31	153	140	T4	T4	T4	
				11.200	2.31	171	125	T4	T4	T4	
				12.571	2.31	192	111	T4	T4	T4	
				14.286	2.31	218	98	T4	T4	T4	
				15.400	2.31	235	91	T4	T4	T4	
				17.500	2.27	263	80	T4	T4	T4	
				20.044	2.18	290	70	T4	T4	T4	
				22.778	1.90	286	62	T4	T4	T4	
				24.933	1.82	301	56	T4	T4	T4	
				28.333	1.64	308	49	T4	T4	T4	
				32.267	1.46	313	43	T4	T4	T4	
				36.667	1.33	322	38	T4	T4	T4	
				39.160	1.22	316	36	T4	T4	T4	
				44.500	1.10	325	32	T4	T4	T4	

For dimensions, see page 3-88 onwards.

# Helical gearbox selection tables

Gearboxes with mounting flange for Atex category 2GD, 3GD (zone 1, 21, 2, 22)

$M_2 \text{ perm} \leq 325 \text{ Nm}$				GST06-2N □□□						
Gearbox with	Mounting flange size			i	$P_1 \text{ perm}$	$M_2 \text{ perm}$	$n_2$	Temperature class		
	Motor frame size	Flange diameter						T3 (G) $\cong$ 190 °C (D) T4 (G) $\cong$ 125 °C (D)		
								Mounting position		
					[kW]	[Nm]	[rpm]	A, B, E, F	C	D

## $n_1 = 1400 \text{ rpm}$

GST06-2N □□□ □E 1E 1E 2E 3E 4E 100 112 90 80 90 160 160 160 160 200		3.033	6.60	132	462	T3	T3	T3
		3.333	6.60	146	420	T3	T3	T3
		4.160	6.04	166	337	T4	T3	T4
		4.571	5.55	168	306	T4	T3	T4
		5.324	4.99	176	263	T4	T4	T4
		5.850	4.81	186	239	T4	T4	T4
		6.400	4.55	193	219	T4	T4	T4
		7.040	4.26	199	199	T4	T3	T4
		8.163	3.91	211	172	T4	T4	T4
		9.010	3.68	219	155	T4	T4	T4
		10.000	3.48	230	140	T4	T4	T4
		11.200	3.18	235	125	T4	T4	T4
		12.571	2.98	248	111	T4	T4	T4
		14.286	2.73	258	98	T4	T4	T4
		15.400	2.62	267	91	T4	T4	T4
		17.500	2.27	263	80	T4	T4	T4
		20.044	2.22	294	70	T4	T4	T4
	22.778	1.90	286	62	T4	T4	T4	
	24.933	1.88	310	56	T4	T4	T4	
	28.333	1.64	308	49	T4	T4	T4	
GST06-2N □□□ □F 1F 1F 2F 3F 100 112 90 90 160 160 160 200		3.033	6.60	132	462	T3	T3	T3
		3.333	6.60	146	420	T3	T3	T3
		4.160	6.04	166	337	T4	T3	T4
		4.571	5.55	168	306	T4	T3	T4
		5.324	4.99	176	263	T4	T4	T4
		5.850	4.81	186	239	T4	T4	T4
		6.400	4.55	193	219	T4	T4	T4
		7.040	4.26	199	199	T4	T3	T4
		8.163	3.91	211	172	T4	T4	T4
		9.010	3.68	219	155	T4	T4	T4
		10.000	3.48	230	140	T4	T4	T4
		11.200	3.18	235	125	T4	T4	T4
		12.571	2.98	248	111	T4	T4	T4
		14.286	2.73	258	98	T4	T4	T4
		15.400	2.62	267	91	T4	T4	T4
		17.500	2.27	263	80	T4	T4	T4

## $n_1 = 700 \text{ rpm}$

GST06-2N □□□ 1B 71 105		32.267	0.35	148	22	T4	T4	T4
		36.667	0.35	168	19	T4	T4	T4
		39.160	0.29	150	18	T4	T4	T4
		44.500	0.29	171	16	T4	T4	T4
		49.500	0.23	152	14	T4	T4	T4
		56.250	0.23	173	12	T4	T4	T4
	GST06-2N □□□ □C 1C 2C 3C 4C 6C 7C 80 71 71 71 63 80 160 160 105 120 160 120		8.163	1.18	127	86	T4	T4
		12.571	1.18	196	56	T4	T4	T4
		14.286	1.18	222	49	T4	T4	T4
		20.044	0.81	215	35	T4	T4	T4
		22.778	0.81	245	31	T4	T4	T4
		24.933	0.68	224	28	T4	T4	T4
		28.333	0.68	255	25	T4	T4	T4
		32.267	0.54	233	22	T4	T4	T4
		36.667	0.54	264	19	T4	T4	T4
		39.160	0.45	236	18	T4	T4	T4
		44.500	0.45	268	16	T4	T4	T4
		49.500	0.36	239	14	T4	T4	T4
		56.250	0.36	271	12	T4	T4	T4

For dimensions, see page 3-88 onwards.

# Helical gearbox selection tables

Gearboxes with mounting flange for Atex category 2GD, 3GD (zone 1, 21, 2, 22)



$M_2 \text{ perm} \leq 325 \text{ Nm}$				GST06-2N □□□						
Gearbox with	Mounting flange size Motor frame size Flange diameter			i	$P_1 \text{ perm}$ [kW]	$M_2 \text{ perm}$ [Nm]	$n_2$ [rpm]	Temperature class T3 (G) $\cong$ 190 °C (D) T4 (G) $\cong$ 125 °C (D)		
								Mounting position A, B, C D E, F		
<b><math>n_1 = 700 \text{ rpm}</math></b>										
GST06-2N □□□	□D			5.324	1.54	108	132	T4	T4	T4
	1D	2D		5.850	1.54	119	120	T4	T4	T4
	90	80		6.400	1.54	130	109	T4	T4	T4
	160	160		8.163	1.54	166	86	T4	T4	T4
				9.010	1.54	184	78	T4	T4	T4
				10.000	1.36	180	70	T4	T4	T4
				11.200	1.54	228	63	T4	T4	T4
				12.571	1.49	248	56	T4	T4	T4
				14.286	1.36	258	49	T4	T4	T4
				15.400	1.31	267	46	T4	T4	T4
				17.500	1.14	263	40	T4	T4	T4
				20.044	1.09	290	35	T4	T4	T4
				22.778	0.95	286	31	T4	T4	T4
				24.933	0.91	301	28	T4	T4	T4
				28.333	0.82	308	25	T4	T4	T4
				32.267	0.73	313	22	T4	T4	T4
				36.667	0.66	322	19	T4	T4	T4
			39.160	0.61	316	18	T4	T4	T4	
			44.500	0.55	325	16	T4	T4	T4	
GST06-2N □□□	□E			3.033	3.51	141	231	T4	T4	T4
	1E	1E	2E	3.333	3.31	146	210	T4	T4	T4
	100	112	90	4.160	3.02	166	168	T4	T4	T4
	160	160	160	4.571	2.77	168	153	T4	T4	T4
				5.324	2.49	176	132	T4	T4	T4
				5.850	2.41	186	120	T4	T4	T4
				6.400	2.27	193	109	T4	T4	T4
				7.040	2.13	199	99	T4	T4	T4
				8.163	1.96	211	86	T4	T4	T4
				9.010	1.84	219	78	T4	T4	T4
				10.000	1.74	230	70	T4	T4	T4
				11.200	1.59	235	63	T4	T4	T4
				12.571	1.49	248	56	T4	T4	T4
				14.286	1.36	258	49	T4	T4	T4
				15.400	1.31	267	46	T4	T4	T4
				17.500	1.14	263	40	T4	T4	T4
				20.044	1.11	294	35	T4	T4	T4
			22.778	0.95	286	31	T4	T4	T4	
			24.933	0.94	310	28	T4	T4	T4	
			28.333	0.82	308	25	T4	T4	T4	
GST06-2N □□□	□F			3.033	3.51	141	231	T4	T4	T4
	1F	1F	2F	3.333	3.31	146	210	T4	T4	T4
	100	112	90	4.160	3.02	166	168	T4	T4	T4
	160	160	160	4.571	2.77	168	153	T4	T4	T4
				5.324	2.49	176	132	T4	T4	T4
				5.850	2.41	186	120	T4	T4	T4
				6.400	2.27	193	109	T4	T4	T4
				7.040	2.13	199	99	T4	T4	T4
				8.163	1.96	211	86	T4	T4	T4
				9.010	1.84	219	78	T4	T4	T4
				10.000	1.74	230	70	T4	T4	T4
				11.200	1.59	235	63	T4	T4	T4
				12.571	1.49	248	56	T4	T4	T4
				14.286	1.36	258	49	T4	T4	T4
				15.400	1.31	267	46	T4	T4	T4
				17.500	1.14	263	40	T4	T4	T4

For dimensions, see page 3-88 onwards.

# Helical gearbox selection tables

Gearboxes with mounting flange for Atex category 2GD, 3GD (zone 1, 21, 2, 22)

$M_2 \text{ perm} \leq 375 \text{ Nm}$		GST06-3N □□□							
Gearbox with	Mounting flange size Motor frame size Flange diameter	i	$P_1 \text{ perm}$ [kW]	$M_2 \text{ perm}$ [Nm]	$n_2$ [rpm]	Temperature class			
						T3 (G) $\cong$ 190 °C (D) T4 (G) $\cong$ 125 °C (D)			
						Mounting position			
						A, B, E, F	C	D	
<b><math>n_1 = 1400 \text{ rpm}</math></b>									
GST06-3N □□□	1A	39.200	0.63	162	36	T4	T4	T4	
	63	51.022	0.63	211	27	T4	T4	T4	
	90	67.760	0.65	286	21	T4	T4	T4	
		80.952	0.59	311	17	T4	T4	T4	
		109.707	0.47	335	13	T4	T4	T4	
		124.667	0.42	339	11	T4	T4	T4	
		141.289	0.40	364	9.9	T4	T4	T4	
		160.556	0.33	342	8.7	T4	T4	T4	
		179.067	0.32	375	7.8	T4	T4	T4	
		203.485	0.26	346	6.9	T4	T4	T4	
		231.733	0.25	375	6.0	T4	T4	T4	
		255.000	0.21	349	5.5	T4	T4	T4	
		290.400	0.20	375	4.8	T4	T4	T4	
		330.000	0.16	352	4.2	T4	T4	T4	
		382.590	0.15	375	3.7	T4	T4	T4	
		434.762	0.13	361	3.2	T4	T4	T4	
	GST06-3N □□□	□B	39.200	1.08	277	36	T4	T4	T4
1B 2B		44.000	0.85	243	32	T4	T4	T4	
71 63		51.022	0.89	295	27	T4	T4	T4	
105 90		53.900	0.83	291	26	T4	T4	T4	
		67.760	0.71	312	21	T4	T4	T4	
		70.156	0.66	302	20	T4	T4	T4	
		80.952	0.63	332	17	T4	T4	T4	
		87.267	0.55	311	16	T4	T4	T4	
		99.167	0.52	335	14	T4	T4	T4	
		109.707	0.47	335	13	T4	T4	T4	
		124.667	0.42	339	11	T4	T4	T4	
		141.289	0.40	364	9.9	T4	T4	T4	
		160.556	0.33	342	8.7	T4	T4	T4	
		179.067	0.32	375	7.8	T4	T4	T4	
		203.485	0.26	346	6.9	T4	T4	T4	
		231.733	0.25	375	6.0	T4	T4	T4	
		255.000	0.21	349	5.5	T4	T4	T4	
	290.400	0.20	375	4.8	T4	T4	T4		
	330.000	0.16	352	4.2	T4	T4	T4		
GST06-3N □□□	□C	39.200	1.08	277	36	T4	T4	T4	
	1C 2C 3C 4C 6C 7C	44.000	0.96	275	32	T4	T4	T4	
	80 71 71 71 63 80	51.022	0.89	295	27	T4	T4	T4	
	160 160 105 120 160 120	53.900	0.83	291	26	T4	T4	T4	
		67.760	0.72	317	21	T4	T4	T4	
		70.156	0.66	302	20	T4	T4	T4	
		80.952	0.63	332	17	T4	T4	T4	
		87.267	0.55	311	16	T4	T4	T4	
		99.167	0.52	335	14	T4	T4	T4	
		109.707	0.47	335	13	T4	T4	T4	
		124.667	0.42	339	11	T4	T4	T4	
		141.289	0.40	364	9.9	T4	T4	T4	
		160.556	0.33	342	8.7	T4	T4	T4	
	GST06-3N □□□	□D	39.200	1.08	277	36	T4	T4	T4
		1D 2D	44.000	0.96	275	32	T4	T4	T4
		90 80	51.022	0.89	295	27	T4	T4	T4
		160 160	53.900	0.83	291	26	T4	T4	T4
		70.156	0.66	302	20	T4	T4	T4	
		80.952	0.63	332	17	T4	T4	T4	
		87.267	0.55	311	16	T4	T4	T4	
		99.167	0.52	335	14	T4	T4	T4	

For dimensions, see page 3-88 onwards.

# Helical gearbox selection tables

Gearboxes with mounting flange for Atex category 2GD, 3GD (zone 1, 21, 2, 22)



$M_2 \text{ perm} \leq 375 \text{ Nm}$		GST06-3N □□□								
Gearbox with	Mounting flange size Motor frame size Flange diameter	i	$P_1 \text{ perm}$ [kW]	$M_2 \text{ perm}$ [Nm]	$n_2$ [rpm]	Temperature class				
						T3 (G) $\cong$ 190 °C (D) T4 (G) $\cong$ 125 °C (D)				
						Mounting position				
						A, B, E, F	C	D		
<b><math>n_1 = 700 \text{ rpm}</math></b>										
GST06-3N □□□	<b>1A</b> <b>63</b> <b>90</b>	39.200	0.32	162	18	T4	T4	T4		
		51.022	0.32	211	14	T4	T4	T4		
		67.760	0.32	286	10	T4	T4	T4		
		80.952	0.30	311	8.7	T4	T4	T4		
		109.707	0.23	335	6.4	T4	T4	T4		
		124.667	0.21	339	5.6	T4	T4	T4		
		141.289	0.20	364	5.0	T4	T4	T4		
		160.556	0.16	342	4.4	T4	T4	T4		
		179.067	0.16	375	3.9	T4	T4	T4		
		203.485	0.13	346	3.4	T4	T4	T4		
		231.733	0.12	375	3.0	T4	T4	T4		
		255.000	0.10	349	2.8	T4	T4	T4		
		290.400	0.10	375	2.4	T4	T4	T4		
		330.000	0.08	352	2.1	T4	T4	T4		
		382.590	0.08	375	1.8	T4	T4	T4		
		434.762	0.06	361	1.6	T4	T4	T4		
		GST06-3N □□□	□B <b>1B</b> 2B <b>71</b> 63 <b>105</b> 90	39.200	0.54	277	18	T4	T4	T4
44.000	0.42			243	16	T4	T4	T4		
51.022	0.44			295	14	T4	T4	T4		
53.900	0.41			291	13	T4	T4	T4		
67.760	0.35			312	10	T4	T4	T4		
70.156	0.33			302	10.0	T4	T4	T4		
80.952	0.31			332	8.7	T4	T4	T4		
87.267	0.27			311	8.0	T4	T4	T4		
99.167	0.26			335	7.1	T4	T4	T4		
109.707	0.23			335	6.4	T4	T4	T4		
124.667	0.21			339	5.6	T4	T4	T4		
141.289	0.20			364	5.0	T4	T4	T4		
160.556	0.16			342	4.4	T4	T4	T4		
179.067	0.16			375	3.9	T4	T4	T4		
203.485	0.13			346	3.4	T4	T4	T4		
231.733	0.12			375	3.0	T4	T4	T4		
255.000	0.10			349	2.8	T4	T4	T4		
290.400	0.10	375	2.4	T4	T4	T4				
330.000	0.08	352	2.1	T4	T4	T4				
GST06-3N □□□	□C <b>1C</b> 2C 3C 4C 6C 7C <b>80</b> 71 71 71 63 80 <b>160</b> 160 105 120 160 120	39.200	0.54	277	18	T4	T4	T4		
		44.000	0.48	275	16	T4	T4	T4		
		51.022	0.44	295	14	T4	T4	T4		
		53.900	0.41	291	13	T4	T4	T4		
		67.760	0.36	317	10	T4	T4	T4		
		70.156	0.33	302	10.0	T4	T4	T4		
		80.952	0.31	332	8.7	T4	T4	T4		
		87.267	0.27	311	8.0	T4	T4	T4		
		99.167	0.26	335	7.1	T4	T4	T4		
		109.707	0.23	335	6.4	T4	T4	T4		
		124.667	0.21	339	5.6	T4	T4	T4		
		141.289	0.20	364	5.0	T4	T4	T4		
		160.556	0.16	342	4.4	T4	T4	T4		
		GST06-3N □□□	□D <b>1D</b> 2D <b>90</b> 80 <b>160</b> 160	39.200	0.54	277	18	T4	T4	T4
				44.000	0.48	275	16	T4	T4	T4
				51.022	0.44	295	14	T4	T4	T4
				53.900	0.41	291	13	T4	T4	T4
70.156	0.33			302	10.0	T4	T4	T4		
80.952	0.31			332	8.7	T4	T4	T4		
87.267	0.27			311	8.0	T4	T4	T4		
99.167	0.26			335	7.1	T4	T4	T4		

For dimensions, see page 3-88 onwards.

# Helical gearbox selection tables

Gearboxes with mounting flange for Atex category 2GD, 3GD (zone 1, 21, 2, 22)

$M_2 \text{ perm} \leq 151 \text{ Nm}$							GST07-1N □□□						
Gearbox with	Mounting flange size Motor frame size Flange diameter						i	$P_1 \text{ perm}$ [kW]	$M_2 \text{ perm}$ [Nm]	$n_2$ [rpm]	Temperature class T3 (G) $\cong$ 190 °C (D) T4 (G) $\cong$ 125 °C (D)		
	Mounting position A, B, C E, F			D									
<b><math>n_1 = 2800 \text{ rpm}</math></b>													
GST07-1N □□□	□C						11.250	1.45	55	249	T4	T4	-
	<b>1C</b>	2C	3C	4C	6C	7C							
	<b>80</b>	71	71	71	63	80							
	<b>160</b>	160	105	120	160	120							
GST07-1N □□□	□D						11.250	1.96	74	249	T4	T4	-
	<b>1D</b>	2D											
	<b>90</b>	80											
	<b>160</b>	160											
<b><math>n_1 = 1400 \text{ rpm}</math></b>													
GST07-1N □□□	□C						7.333	1.34	66	191	T4	T4	T4
	<b>1C</b>	2C	3C	4C	6C	7C							
	<b>80</b>	71	71	71	63	80							
	<b>160</b>	160	105	120	160	120							
GST07-1N □□□	□D						2.857	2.31	44	490	T4	T4	T4
	<b>1D</b>	2D											
	<b>90</b>	80											
	<b>160</b>	160											
GST07-1N □□□	□E						2.000	6.60	89	700	T4	T3	T4
	<b>1E</b>	1E	2E	3E	4E								
	<b>100</b>	<b>112</b>	90	80	90								
	<b>160</b>	<b>160</b>	160	160	200								
GST07-1N □□□	□F						1.625	6.60	72	862	T3	T3	T3
	<b>1F</b>	1F	2F	3F									
	<b>100</b>	<b>112</b>	90	90									
	<b>160</b>	<b>160</b>	160	200									
GST07-1N □□□	□G						1.625	8.24	90	862	T3	T3	T3
	<b>1G</b>	2G	2G	3G									
	<b>132</b>	100	112	132									
	<b>300</b>	250	250	250									
GST07-1N □□□	□H						1.625	8.24	90	862	T3	T3	T3
	<b>1H</b>	3H											
	<b>160</b>	132											
	<b>350</b>	300											

For dimensions, see page 3-88 onwards.

# Helical gearbox selection tables

Gearboxes with mounting flange for Atex category 2GD, 3GD (zone 1, 21, 2, 22)



$M_2 \text{ perm} \leq 151 \text{ Nm}$							GST07-1N □□□							
Gearbox with	Mounting flange size Motor frame size Flange diameter						i	$P_1 \text{ perm}$ [kW]	$M_2 \text{ perm}$ [Nm]	$n_2$ [rpm]	Temperature class T3 (G) $\cong$ 190 °C (D) T4 (G) $\cong$ 125 °C (D)			
	Mounting position A, B, E, F			C		D								
<b><math>n_1 = 700 \text{ rpm}</math></b>														
GST07-1N □□□	□C						7.333	0.67	66	96	T4	T4	T4	
	<b>1C</b>	2C	3C	4C	6C	7C	8.900	0.56	67	79	T4	T4	T4	
	<b>80</b>	71	71	71	63	80	11.250	0.45	68	62	T4	T4	T4	
	<b>160</b>	160	105	120	160	120								
GST07-1N □□□	□D						2.857	1.54	59	245	T4	T4	T4	
	<b>1D</b>	2D					4.556	1.34	82	154	T4	T4	T4	
	<b>90</b>	80					5.583	1.15	86	125	T4	T4	T4	
	<b>160</b>	160					7.333	0.90	89	96	T4	T4	T4	
							8.900	0.75	90	79	T4	T4	T4	
							11.250	0.60	91	62	T4	T4	T4	
GST07-1N □□□	□E						2.000	3.90	105	350	T4	T4	T4	
	<b>1E</b>	<b>1E</b>	2E	3E	4E		2.240	3.79	114	313	T4	T4	T4	
	<b>100</b>	<b>112</b>	90	80	90		2.857	3.21	123	245	T4	T4	T4	
	<b>160</b>	<b>160</b>	160	160	200		3.500	2.77	130	200	T4	T4	T4	
							4.556	2.22	136	154	T4	T4	T4	
							5.583	1.90	143	125	T4	T4	T4	
							7.333	1.49	147	96	T4	T4	T4	
							8.900	1.01	121	79	T4	T4	T4	
	GST07-1N □□□	□F						1.625	4.12	90	431	T4	T4	T4
		<b>1F</b>	<b>1F</b>	2F	3F			2.000	3.90	105	350	T4	T4	T4
<b>100</b>		<b>112</b>	90	90			2.240	3.79	114	313	T4	T4	T4	
<b>160</b>		<b>160</b>	160	200			2.857	3.28	126	245	T4	T4	T4	
							3.500	2.92	137	200	T4	T4	T4	
							4.556	2.35	144	154	T4	T4	T4	
							5.583	2.01	151	125	T4	T4	T4	
GST07-1N □□□	□G						1.625	4.12	90	431	T4	T4	T4	
	<b>1G</b>	2G	2G	3G			2.000	3.90	105	350	T4	T4	T4	
	<b>132</b>	100	112	132			2.240	3.79	114	313	T4	T4	T4	
	<b>300</b>	250	250	250			2.857	3.28	126	245	T4	T4	T4	
							3.500	3.02	142	200	T4	T4	T4	
GST07-1N □□□	□H						1.625	4.12	90	431	T4	T3	T4	
	<b>1H</b>	3H					2.000	3.90	105	350	T4	T3	T4	
	<b>160</b>	132					2.240	3.79	114	313	T4	T3	T4	
	<b>350</b>	300												

For dimensions, see page 3-88 onwards.

# Helical gearbox selection tables

Gearboxes with mounting flange for Atex category 2GD, 3GD (zone 1, 21, 2, 22)

$M_2 \text{ perm} \leq 702 \text{ Nm}$		GST07-2N □□□				Temperature class		
Gearbox with	Mounting flange size Motor frame size Flange diameter	i	$P_{1 \text{ perm}}$ [kW]	$M_2 \text{ perm}$ [Nm]	$n_2$ [rpm]	T3 (G) $\cong$ 190 °C (D) T4 (G) $\cong$ 125 °C (D)		
						Mounting position A, B, C D E, F		

## $n_1 = 2800 \text{ rpm}$

GST07-2N □□□	□C					32.267	2.47	263	87	T4	T3	-	
	<b>1C</b>	2C	3C	4C	6C	7C	36.667	2.47	299	76	T4	T3	-
	<b>80</b>	71	71	71	63	80	39.160	2.06	267	72	T4	T4	-
	<b>160</b>	160	105	120	160	120	44.500	2.23	329	63	T4	T4	-
							49.500	1.79	293	57	T4	T4	-
							56.250	1.79	333	50	T4	T4	-
GST07-2N □□□	□D					12.571	3.75	156	223	T3	T3	-	
	<b>1D</b>	2D				14.286	3.75	177	196	T3	T3	-	
	<b>90</b>	80				20.044	4.26	283	140	T3	T3	-	
	<b>160</b>	160				22.778	4.26	321	123	T3	T3	-	
						24.567	4.23	344	114	T3	T3	-	
						27.917	4.23	391	100	T3	T3	-	
						32.267	3.32	354	87	T4	T3	-	
						36.667	3.32	403	76	T4	T3	-	
						39.160	2.77	359	72	T4	T4	-	
						44.500	3.00	442	63	T4	T4	-	
						49.500	2.41	394	57	T4	T4	-	
						56.250	2.41	448	50	T4	T4	-	
GST07-2N □□□	□E					11.200	10.72	397	250	T3	T3	-	
	<b>1E</b>	<b>1E</b>	2E	3E	4E	12.571	9.61	400	223	T3	T3	-	
	<b>100</b>	<b>112</b>	90	80	90	14.286	9.34	442	196	T3	T3	-	
	<b>160</b>	<b>160</b>	160	160	200	15.400	9.63	491	182	T3	T3	-	
						17.500	9.34	541	160	T3	T3	-	
						20.044	8.11	538	140	T3	T3	-	
						22.778	7.88	594	123	T3	T3	-	
						24.567	7.03	572	114	T3	T3	-	
						27.917	6.90	638	100	T3	T3	-	
						32.267	5.51	588	87	T4	T3	-	
						36.667	5.34	648	76	T4	T3	-	
						39.160	3.73	484	72	T4	T3	-	
					44.500	4.05	596	63	T4	T3	-		
GST07-2N □□□	□F					11.200	10.72	397	250	T3	-	-	
	<b>1F</b>	<b>1F</b>	2F	3F		12.571	9.61	400	223	T3	-	-	
	<b>100</b>	<b>112</b>	90	90		14.286	9.34	442	196	T3	-	-	
	<b>160</b>	<b>160</b>	160	200		15.400	9.63	491	182	T3	-	-	
						17.500	9.34	541	160	T3	-	-	
						20.044	8.11	538	140	T3	-	-	
						22.778	7.88	594	123	T3	-	-	
						24.567	7.15	582	114	T3	-	-	
						27.917	6.90	638	100	T3	-	-	
	GST07-2N □□□	□G					11.200	10.93	405	250	T3	-	-
		<b>1G</b>	2G	2G	3G		12.571	9.61	400	223	T3	-	-
		<b>132</b>	100	112	132		14.286	9.34	442	196	T3	-	-
<b>300</b>		250	250	250		15.400	9.63	491	182	T3	-	-	
						17.500	9.34	541	160	T3	-	-	

## $n_1 = 1400 \text{ rpm}$

GST07-2N □□□	□C					32.267	1.34	286	43	T4	T4	T4	
	<b>1C</b>	2C	3C	4C	6C	7C	36.667	1.34	324	38	T4	T4	T4
	<b>80</b>	71	71	71	63	80	39.160	1.12	289	36	T4	T4	T4
	<b>160</b>	160	105	120	160	120	44.500	1.12	329	32	T4	T4	T4
							49.500	0.90	293	28	T4	T4	T4
							56.250	0.90	333	25	T4	T4	T4
GST07-2N □□□	□D					12.571	2.31	192	111	T4	T4	T4	
	<b>1D</b>	2D				14.286	2.31	218	98	T4	T4	T4	
	<b>90</b>	80				20.044	2.31	306	70	T4	T4	T4	
	<b>160</b>	160				22.778	2.31	348	62	T4	T4	T4	
						24.567	2.29	373	57	T4	T4	T4	

For dimensions, see page 3-88 onwards.



# Helical gearbox selection tables

Gearboxes with mounting flange for Atex category 2GD, 3GD (zone 1, 21, 2, 22)



$M_2 \text{ perm} \leq 702 \text{ Nm}$		GST07-2N □□□					Temperature class		
Gearbox with	Mounting flange size Motor frame size Flange diameter	i	$P_1 \text{ perm}$ [kW]	$M_2 \text{ perm}$ [Nm]	$n_2$ [rpm]	T3 (G) $\cong$ 190 °C (D) T4 (G) $\cong$ 125 °C (D)			
						Mounting position A, B, C D E, F			

## $n_1 = 1400 \text{ rpm}$

GST07-2N □□□	□D	27.917	2.29	424	50	T4	T4	T4		
	1D 2D	32.267	1.80	384	43	T4	T4	T4		
	90 80	36.667	1.80	436	38	T4	T4	T4		
	160 160		39.160	1.50	389	36	T4	T4	T4	
			44.500	1.50	442	32	T4	T4	T4	
			49.500	1.20	394	28	T4	T4	T4	
			56.250	1.20	448	25	T4	T4	T4	
GST07-2N □□□	□E	5.200	6.60	227	269	T4	T3	T4		
	1E 1E 2E 3E 4E	5.714	6.60	249	245	T4	T3	T4		
	100 112 90 80 90	6.400	6.60	279	219	T4	T3	T4		
	160 160 160 160 200		8.800	6.60	384	159	T4	T3	T4	
			9.856	6.60	430	142	T4	T3	T4	
			11.200	6.60	489	125	T4	T3	T4	
			12.571	5.92	492	111	T4	T4	T4	
			14.286	5.75	544	98	T4	T4	T4	
			15.400	5.22	532	91	T4	T4	T4	
			17.500	5.06	586	80	T4	T4	T4	
			20.044	4.40	583	70	T4	T4	T4	
			22.778	4.27	643	62	T4	T4	T4	
			24.567	3.81	619	57	T4	T4	T4	
			27.917	3.74	691	50	T4	T4	T4	
			32.267	2.99	638	43	T4	T4	T4	
			36.667	2.89	702	38	T4	T4	T4	
			39.160	2.02	524	36	T4	T4	T4	
			44.500	2.02	596	32	T4	T4	T4	
		GST07-2N □□□	□F	3.048	6.60	133	459	T3	T3	T3
			1F 1F 2F 3F	3.350	6.60	146	418	T3	T3	T3
100 112 90 90			4.225	6.60	184	331	T3	T3	T3	
160 160 160 200			4.643	6.60	203	302	T3	T3	T3	
			5.200	6.60	227	269	T4	T3	T4	
			5.714	6.60	249	245	T4	T3	T4	
			6.400	6.60	279	219	T4	T3	T4	
			7.150	6.60	312	196	T3	T3	T3	
			8.125	6.60	355	172	T3	T3	T3	
			8.800	6.60	384	159	T4	T3	T4	
			9.856	6.60	430	142	T4	T3	T4	
			11.200	6.60	489	125	T4	T3	T4	
			12.571	5.92	492	111	T4	T4	T4	
			14.286	5.75	544	98	T4	T4	T4	
			15.400	5.22	532	91	T4	T4	T4	
			17.500	5.06	586	80	T4	T4	T4	
			20.044	4.40	583	70	T4	T4	T4	
			22.778	4.27	643	62	T4	T4	T4	
			24.567	3.88	630	57	T4	T4	T4	
			27.917	3.74	691	50	T4	T4	T4	
	GST07-2N □□□	□G	3.048	14.27	288	459	T3	T3	T3	
1G 2G 2G 3G		3.350	13.56	301	418	T3	T3	T3		
132 100 112 132		4.225	11.66	326	331	T3	T3	T3		
300 250 250 250			4.643	11.04	339	302	T3	T3	T3	
			5.200	10.35	356	269	T4	T3	T4	
			5.714	9.80	371	245	T4	T3	T4	
			6.400	9.11	386	219	T4	T3	T4	
			7.150	8.46	400	196	T3	T3	T3	
			8.125	8.21	442	172	T3	T3	T3	
			8.800	7.42	432	159	T4	T3	T4	
			9.856	6.90	450	142	T4	T3	T4	
			11.200	6.73	499	125	T4	T3	T4	
			12.571	5.92	492	111	T4	T3	T4	
			14.286	5.75	544	98	T4	T3	T4	
			15.400	5.22	532	91	T4	T4	T4	
			17.500	5.06	586	80	T4	T4	T4	

For dimensions, see page 3-88 onwards.

# Helical gearbox selection tables

Gearboxes with mounting flange for Atex category 2GD, 3GD (zone 1, 21, 2, 22)

$M_2 \text{ perm} \leq 702 \text{ Nm}$		GST07-2N □□□							
Gearbox with	Mounting flange size Motor frame size Flange diameter	i	$P_1 \text{ perm}$ [kW]	$M_2 \text{ perm}$ [Nm]	$n_2$ [rpm]	Temperature class			
						T3 (G) $\cong$ 190 °C (D)	T4 (G) $\cong$ 125 °C (D)	Mounting position	
						A, B, E, F	C	D	
<b><math>n_1 = 1400 \text{ rpm}</math></b>									
GST07-2N □□□ □H 1H 3H 160 132 350 300		3.048	14.27	288	459	T3	T3	T3	
		3.350	13.56	301	418	T3	T3	T3	
		4.225	11.66	326	331	T3	T3	T3	
		4.643	11.04	339	302	T3	T3	T3	
		5.200	10.35	356	269	T3	T3	T3	
		5.714	9.80	371	245	T3	T3	T3	
		6.400	9.11	386	219	T3	T3	T3	
		7.150	8.46	400	196	T3	T3	T3	
		8.125	8.21	442	172	T3	T3	T3	
		8.800	7.42	432	159	T3	T3	T3	
		9.856	6.90	450	142	T3	T3	T3	
		11.200	6.73	499	125	T3	T3	T3	
<b><math>n_1 = 700 \text{ rpm}</math></b>									
GST07-2N □□□ □C 1C 2C 3C 4C 6C 7C 80 71 71 71 63 80 160 160 105 120 160 120		32.267	0.67	286	22	T4	T4	T4	
		36.667	0.67	324	19	T4	T4	T4	
		39.160	0.56	289	18	T4	T4	T4	
		44.500	0.56	329	16	T4	T4	T4	
		49.500	0.45	293	14	T4	T4	T4	
		56.250	0.45	333	12	T4	T4	T4	
	GST07-2N □□□ □D 1D 2D 90 80 160 160		12.571	1.54	256	56	T4	T4	T4
		14.286	1.54	291	49	T4	T4	T4	
		20.044	1.34	355	35	T4	T4	T4	
		22.778	1.34	404	31	T4	T4	T4	
		24.567	1.15	373	29	T4	T4	T4	
		27.917	1.15	424	25	T4	T4	T4	
		32.267	0.90	384	22	T4	T4	T4	
		36.667	0.90	436	19	T4	T4	T4	
		39.160	0.75	389	18	T4	T4	T4	
		44.500	0.75	442	16	T4	T4	T4	
		49.500	0.60	394	14	T4	T4	T4	
		56.250	0.60	448	12	T4	T4	T4	
GST07-2N □□□ □E 1E 1E 2E 3E 4E 100 112 90 80 90 160 160 160 160 200			5.200	4.08	281	135	T4	T4	T4
			5.714	4.08	309	123	T4	T4	T4
		6.400	3.80	322	109	T4	T4	T4	
		8.800	3.71	432	80	T4	T4	T4	
		9.856	3.45	450	71	T4	T4	T4	
		11.200	3.36	499	63	T4	T4	T4	
		12.571	2.96	492	56	T4	T4	T4	
		14.286	2.87	544	49	T4	T4	T4	
		15.400	2.61	532	46	T4	T4	T4	
		17.500	2.53	586	40	T4	T4	T4	
		20.044	2.20	583	35	T4	T4	T4	
		22.778	2.13	643	31	T4	T4	T4	
		24.567	1.90	619	29	T4	T4	T4	
		27.917	1.87	691	25	T4	T4	T4	
		32.267	1.49	638	22	T4	T4	T4	
		36.667	1.45	702	19	T4	T4	T4	
		39.160	1.01	524	18	T4	T4	T4	
		44.500	1.01	596	16	T4	T4	T4	
	GST07-2N □□□ □F 1F 1F 2F 3F 100 112 90 90 160 160 160 200		3.048	4.40	177	230	T4	T4	T4
		3.350	4.40	195	209	T4	T4	T4	
		4.225	4.40	246	166	T4	T4	T4	
		4.643	4.40	270	151	T4	T4	T4	
		5.200	4.31	297	135	T4	T4	T4	
		5.714	4.31	326	123	T4	T4	T4	
		6.400	4.01	340	109	T4	T4	T4	
		7.150	4.23	400	98	T4	T4	T4	
		8.125	4.11	442	86	T4	T4	T4	

For dimensions, see page 3-88 onwards.

# Helical gearbox selection tables

Gearboxes with mounting flange for Atex category 2GD, 3GD (zone 1, 21, 2, 22)



$M_2 \text{ perm} \leq 702 \text{ Nm}$				GST07-2N □□□						
Gearbox with	Mounting flange size			i	$P_{1 \text{ perm}}$	$M_2 \text{ perm}$	$n_2$	Temperature class		
	Motor frame size	Flange diameter						T3 (G) $\cong$ 190 °C (D) T4 (G) $\cong$ 125 °C (D)		
								Mounting position		
					[kW]	[Nm]	[rpm]	A, B, E, F	C	D

## $n_1 = 700 \text{ rpm}$

GST07-2N □□□ □F	1F	1F	2F	3F	8.800	3.71	432	80	T4	T4	T4	
	100	112	90	90	9.856	3.45	450	71	T4	T4	T4	
	160	160	160	200	11.200	3.36	499	63	T4	T4	T4	
					12.571	2.96	492	56	T4	T4	T4	
					14.286	2.87	544	49	T4	T4	T4	
					15.400	2.61	532	46	T4	T4	T4	
					17.500	2.53	586	40	T4	T4	T4	
					20.044	2.20	583	35	T4	T4	T4	
					22.778	2.13	643	31	T4	T4	T4	
					24.567	1.94	630	29	T4	T4	T4	
					27.917	1.87	691	25	T4	T4	T4	
	GST07-2N □□□ □G	1G	2G	2G	3G	3.048	7.14	288	230	T4	T4	T4
		132	100	112	132	3.350	6.78	301	209	T4	T4	T4
300		250	250	250	4.225	5.83	326	166	T4	T4	T4	
					4.643	5.52	339	151	T4	T4	T4	
					5.200	5.17	356	135	T4	T4	T4	
					5.714	4.90	371	123	T4	T4	T4	
					6.400	4.56	386	109	T4	T4	T4	
					7.150	4.23	400	98	T4	T4	T4	
					8.125	4.11	442	86	T4	T4	T4	
					8.800	3.71	432	80	T4	T4	T4	
					9.856	3.45	450	71	T4	T4	T4	
					11.200	3.36	499	63	T4	T4	T4	
					12.571	2.96	492	56	T4	T4	T4	
					14.286	2.87	544	49	T4	T4	T4	
					15.400	2.61	532	46	T4	T4	T4	
					17.500	2.53	586	40	T4	T4	T4	
GST07-2N □□□ □H	1H	3H			3.048	7.14	288	230	T4	T3	T4	
	160	132			3.350	6.78	301	209	T4	T3	T4	
	350	300			4.225	5.83	326	166	T4	T3	T4	
					4.643	5.52	339	151	T4	T3	T4	
					5.200	5.17	356	135	T4	T3	T4	
					5.714	4.90	371	123	T4	T3	T4	
					6.400	4.56	386	109	T4	T3	T4	
					7.150	4.23	400	98	T4	T3	T4	
					8.125	4.11	442	86	T4	T3	T4	
					8.800	3.71	432	80	T4	T3	T4	
					9.856	3.45	450	71	T4	T3	T4	
					11.200	3.36	499	63	T4	T3	T4	

For dimensions, see page 3-88 onwards.

# Helical gearbox selection tables

Gearboxes with mounting flange for Atex category 2GD, 3GD (zone 1, 21, 2, 22)

$M_2 \text{ perm} \leq 710 \text{ Nm}$		GST07-3N □□□							
Gearbox with	Mounting flange size Motor frame size Flange diameter	i	$P_1 \text{ perm}$ [kW]	$M_2 \text{ perm}$ [Nm]	$n_2$ [rpm]	Temperature class			
						T3 (G) $\cong$ 190 °C (D) T4 (G) $\cong$ 125 °C (D)			
						Mounting position			
						A, B, E, F	C	D	
<b><math>n_1 = 1400 \text{ rpm}</math></b>									
GST07-3N □□□	<b>1B</b>		39.200	1.37	351	36	T4	T4	T4
	<b>71</b>		51.022	1.37	457	27	T4	T4	T4
	<b>105</b>		65.079	0.84	356	22	T4	T4	T4
			79.762	1.22	632	18	T4	T4	T4
			111.915	0.84	613	13	T4	T4	T4
			127.176	0.84	696	11	T4	T4	T4
			139.211	0.70	637	10	T4	T4	T4
			158.194	0.69	710	8.9	T4	T4	T4
			180.156	0.56	662	7.8	T4	T4	T4
			204.722	0.53	710	6.8	T4	T4	T4
			236.622	0.46	706	5.9	T4	T4	T4
			248.458	0.44	710	5.6	T4	T4	T4
			268.889	0.41	710	5.2	T4	T4	T4
			326.333	0.33	710	4.3	T4	T4	T4
			367.033	0.30	706	3.8	T4	T4	T4
		417.083	0.26	710	3.4	T4	T4	T4	
GST07-3N □□□	<b>□C</b>		39.200	1.87	478	36	T4	T4	T4
	<b>1C</b>	2C	3C	4C	6C	7C	T4	T4	T4
	<b>80</b>	71	71	71	63	80	T4	T4	T4
	<b>160</b>	160	105	120	160	120	T4	T4	T4
							T4	T4	T4
							T4	T4	T4
							T4	T4	T4
							T4	T4	T4
							T4	T4	T4
							T4	T4	T4
							T4	T4	T4
							T4	T4	T4
							T4	T4	T4
							T4	T4	T4
							T4	T4	T4
GST07-3N □□□	<b>□D</b>		39.200	2.31	590	36	T4	T4	T4
	<b>1D</b>	2D	44.000	2.07	593	32	T4	T4	T4
	<b>90</b>	80	51.022	1.91	636	27	T4	T4	T4
	<b>160</b>	160	53.900	1.81	636	26	T4	T4	T4
			65.079	1.67	707	22	T4	T4	T4
			70.156	1.46	666	20	T4	T4	T4
			79.762	1.37	710	18	T4	T4	T4
			85.983	1.25	699	16	T4	T4	T4
			97.708	1.11	710	14	T4	T4	T4
			111.915	0.97	706	13	T4	T4	T4
			127.176	0.86	710	11	T4	T4	T4
			139.211	0.78	706	10	T4	T4	T4
			158.194	0.69	710	8.9	T4	T4	T4
							T4	T4	T4
							T4	T4	T4
GST07-3N □□□	<b>□E</b>		39.200	2.33	596	36	T4	T4	T4
	<b>1E</b>	1E	44.000	2.07	593	32	T4	T4	T4
	<b>100</b>	112	90	80	90	T4	T4	T4	
	<b>160</b>	160	160	160	200	T4	T4	T4	
						T4	T4	T4	
						T4	T4	T4	
						T4	T4	T4	
						T4	T4	T4	
						T4	T4	T4	
						T4	T4	T4	

For dimensions, see page 3-88 onwards.

# Helical gearbox selection tables

Gearboxes with mounting flange for Atex category 2GD, 3GD (zone 1, 21, 2, 22)



$M_2 \text{ perm} \leq 710 \text{ Nm}$		GST07-3N □□□							
Gearbox with	Mounting flange size Motor frame size Flange diameter	i	$P_1 \text{ perm}$ [kW]	$M_2 \text{ perm}$ [Nm]	$n_2$ [rpm]	Temperature class			
						T3 (G) $\cong$ 190 °C (D) T4 (G) $\cong$ 125 °C (D)			
						Mounting position			
						A, B, E, F	C	D	
<b><math>n_1 = 700 \text{ rpm}</math></b>									
GST07-3N □□□	<b>1B</b>		39.200	0.72	368	18	T4	T4	T4
	<b>71</b>		51.022	0.72	479	14	T4	T4	T4
	<b>105</b>		65.079	0.42	356	11	T4	T4	T4
			79.762	0.61	632	8.8	T4	T4	T4
			111.915	0.42	613	6.3	T4	T4	T4
			127.176	0.42	696	5.5	T4	T4	T4
			139.211	0.35	637	5.0	T4	T4	T4
			158.194	0.34	710	4.4	T4	T4	T4
			180.156	0.28	662	3.9	T4	T4	T4
			204.722	0.27	710	3.4	T4	T4	T4
			236.622	0.23	706	3.0	T4	T4	T4
			248.458	0.22	710	2.8	T4	T4	T4
			268.889	0.20	710	2.6	T4	T4	T4
			326.333	0.17	710	2.2	T4	T4	T4
			367.033	0.15	706	1.9	T4	T4	T4
		417.083	0.13	710	1.7	T4	T4	T4	
GST07-3N □□□	<b>□C</b>		39.200	1.13	578	18	T4	T4	T4
	<b>1C</b>	2C	3C	4C	6C	7C	T4	T4	T4
	<b>80</b>	71	71	71	63	80	T4	T4	T4
	<b>160</b>	160	105	120	160	120	T4	T4	T4
							T4	T4	T4
							T4	T4	T4
							T4	T4	T4
							T4	T4	T4
							T4	T4	T4
							T4	T4	T4
							T4	T4	T4
							T4	T4	T4
							T4	T4	T4
							T4	T4	T4
							T4	T4	T4
GST07-3N □□□	<b>□D</b>		39.200	1.17	596	18	T4	T4	T4
	<b>1D</b>	2D	44.000	1.03	593	16	T4	T4	T4
	<b>90</b>	80	51.022	0.96	636	14	T4	T4	T4
	<b>160</b>	160	53.900	0.90	636	13	T4	T4	T4
			65.079	0.83	707	11	T4	T4	T4
			70.156	0.73	666	10.0	T4	T4	T4
			79.762	0.68	710	8.8	T4	T4	T4
			85.983	0.62	699	8.1	T4	T4	T4
			97.708	0.56	710	7.2	T4	T4	T4
			111.915	0.48	706	6.3	T4	T4	T4
			127.176	0.43	710	5.5	T4	T4	T4
			139.211	0.39	706	5.0	T4	T4	T4
			158.194	0.34	710	4.4	T4	T4	T4
							T4	T4	T4
							T4	T4	T4
GST07-3N □□□	<b>□E</b>		39.200	1.17	596	18	T4	T4	T4
	<b>1E</b>	1E	44.000	1.03	593	16	T4	T4	T4
	<b>100</b>	112	90	80	90		T4	T4	T4
	<b>160</b>	160	160	160	200		T4	T4	T4
							T4	T4	T4
							T4	T4	T4
							T4	T4	T4
							T4	T4	T4
							T4	T4	T4
							T4	T4	T4

For dimensions, see page 3-88 onwards.

# Helical gearbox selection tables

Gearboxes with mounting flange for Atex category 2GD, 3GD (zone 1, 21, 2, 22)

$M_2 \text{ perm} \leq 384 \text{ Nm}$		GST09-1N □□□						
Gearbox with	Mounting flange size Motor frame size Flange diameter	i	$P_1 \text{ perm}$ [kW]	$M_2 \text{ perm}$ [Nm]	$n_2$ [rpm]	Temperature class		
						T3 (G) $\cong$ 190 °C (D) T4 (G) $\cong$ 125 °C (D)		
						Mounting position		
						A, B, E, F	C	D
<b><math>n_1 = 2800 \text{ rpm}</math></b>								
GST09-1N □□□	□D 1D 2D 90 80 160 160	11.250	2.52	95	249	T4	T4	-
GST09-1N □□□	□E 1E 1E 2E 3E 4E 100 112 90 80 90 160 160 160 160 200	11.250	4.28	162	249	T4	T3	-
<b><math>n_1 = 1400 \text{ rpm}</math></b>								
GST09-1N □□□	□D 1D 2D 90 80 160 160	7.333 8.900 11.250	2.31 1.93 1.55	114 116 117	191 157 124	T4 T4 T4	T4 T4 T4	T4 T4 T4
GST09-1N □□□	□E 1E 1E 2E 3E 4E 100 112 90 80 90 160 160 160 160 200	2.810 4.667 5.667 7.333 8.900 11.250	6.60 5.72 4.91 3.94 3.29 2.64	125 179 187 194 197 199	498 300 247 191 157 124	T4 T4 T4 T4 T4 T4	T3 T4 T4 T4 T4 T4	T4 T4 T4 T4 T4 T4
GST09-1N □□□	□F 1F 1F 2F 3F 100 112 90 90 160 160 160 200	2.048 2.333 2.810 3.444 4.667 5.667 7.333 8.900	6.60 6.60 6.60 6.60 6.11 5.24 4.20 3.51	91 103 125 153 192 199 207 210	684 600 498 407 300 247 191 157	T3 T3 T4 T4 T4 T4 T4 T4	T3 T3 T3 T4 T4 T4 T4 T4	T3 T3 T4 T4 T4 T4 T4 T4
GST09-1N □□□	□G 1G 2G 2G 3G 132 100 112 132 300 250 250 250	1.560 2.048 2.333 2.810 3.444 4.667 5.667	17.59 17.59 17.59 17.42 14.99 11.75 10.08	184 242 276 329 347 368 384	897 684 600 498 407 300 247	T3 T3 T3 T4 T4 T4 T4	T3 T3 T3 T3 T3 T4 T4	T3 T3 T3 T4 T4 T4 T4
GST09-1N □□□	□H 1H 2H 3H 160 180 132 350 350 300	1.560 2.048 2.333 2.810 3.444	21.49 19.97 19.19 18.00 15.56	225 275 301 340 360	897 684 600 498 407	T3 T3 T3 T3 T4	T3 T3 T3 T3 T3	T3 T3 T3 T3 T4
GST09-1N □□□	1K 200 400	1.560 2.048	21.49 19.97	225 275	897 684	T3 T3	T3 T3	T3 T3

For dimensions, see page 3-88 onwards.

# Helical gearbox selection tables

Gearboxes with mounting flange for Atex category 2GD, 3GD (zone 1, 21, 2, 22)



$M_2 \text{ perm} \leq 384 \text{ Nm}$		GST09-1N □□□						
Gearbox with	Mounting flange size Motor frame size Flange diameter	i	$P_1 \text{ perm}$ [kW]	$M_2 \text{ perm}$ [Nm]	$n_2$ [rpm]	Temperature class		
						T3 (G) $\cong$ 190 °C (D) T4 (G) $\cong$ 125 °C (D)		
						Mounting position		
						A, B, E, F	C	D
<b><math>n_1 = 700 \text{ rpm}</math></b>								
GST09-1N □□□	□D	7.333	1.16	114	96	T4	T4	T4
	<b>1D</b> 2D	8.900	0.97	116	79	T4	T4	T4
	<b>90</b> 80	11.250	0.78	117	62	T4	T4	T4
	<b>160</b> 160							
GST09-1N □□□	□E	2.810	4.23	160	249	T4	T4	T4
	<b>1E</b> <b>1E</b> 2E 3E 4E	4.667	2.86	179	150	T4	T4	T4
	<b>100</b> <b>112</b> 90 80 90	5.667	2.45	187	124	T4	T4	T4
	<b>160</b> <b>160</b> 160 160 200	7.333	1.97	194	96	T4	T4	T4
		8.900	1.65	197	79	T4	T4	T4
		11.250	1.32	199	62	T4	T4	T4
GST09-1N □□□	□F	2.048	4.40	121	342	T4	T4	T4
	<b>1F</b> <b>1F</b> 2F 3F	2.333	4.40	138	300	T4	T4	T4
	<b>100</b> <b>112</b> 90 90	2.810	4.40	166	249	T4	T4	T4
	<b>160</b> <b>160</b> 160 200	3.444	3.90	180	203	T4	T4	T4
		4.667	3.05	192	150	T4	T4	T4
		5.667	2.62	199	124	T4	T4	T4
		7.333	2.10	207	96	T4	T4	T4
		8.900	1.75	210	79	T4	T4	T4
GST09-1N □□□	□G	1.560	10.74	225	449	T4	T4	T4
	<b>1G</b> 2G 2G 3G	2.048	9.99	275	342	T4	T4	T4
	<b>132</b> 100 112 132	2.333	9.59	301	300	T4	T4	T4
	<b>300</b> 250 250 250	2.810	8.71	329	249	T4	T4	T4
		3.444	7.50	347	203	T4	T4	T4
		4.667	5.88	368	150	T4	T4	T4
		5.667	5.04	384	124	T4	T4	T4
GST09-1N □□□	□H	1.560	10.74	225	449	T4	T3	T4
	<b>1H</b> 3H	2.048	9.99	275	342	T4	T3	T4
	<b>160</b> 132	2.333	9.59	301	300	T4	T3	T4
	<b>350</b> 300	2.810	9.00	340	249	T4	T3	T4
		3.444	7.78	360	203	T4	T3	T4
GST09-1N □□□	<b>1K</b>	1.560	10.74	225	449	T4	T3	T4
	<b>200</b> <b>400</b>	2.048	9.99	275	342	T4	T3	T4

For dimensions, see page 3-88 onwards.

# Helical gearbox selection tables

Gearboxes with mounting flange for Atex category 2GD, 3GD (zone 1, 21, 2, 22)

$M_2 \text{ perm} \leq 1333 \text{ Nm}$				GST09-2N □□□						
Gearbox with	Mounting flange size			i	$P_1 \text{ perm}$	$M_2 \text{ perm}$	$n_2$	Temperature class		
	Motor frame size	Flange diameter						T3 (G) $\cong$ 190 °C (D) T4 (G) $\cong$ 125 °C (D)		
					[kW]	[Nm]	[rpm]	Mounting position		
								A, B, E, F	C	D

## $n_1 = 2800 \text{ rpm}$

GST09-2N □□□	□D				32.267	4.26	455	87	T3	T3	-	
	<b>1D</b>	2D			36.667	4.26	517	76	T3	T3	-	
	<b>90</b>	80			39.160	3.57	462	72	T4	T3	-	
	<b>160</b>	160			44.500	3.87	569	63	T4	T3	-	
					49.500	3.10	508	57	T4	T4	-	
					56.250	3.10	577	50	T4	T4	-	
GST09-2N □□□	□E				12.362	10.72	438	227	T3	T3	-	
	<b>1E</b>	<b>1E</b>	2E	3E	4E	14.048	10.72	498	199	T3	T3	
	<b>100</b>	<b>112</b>	90	80	90	20.533	10.55	717	136	T3	T3	
	<b>160</b>	<b>160</b>	160	160	200	23.333	10.55	815	120	T3	T3	
						24.933	9.06	747	112	T3	T3	
						28.333	9.06	849	99	T3	T3	
						32.267	7.27	776	87	T3	T3	
						36.667	7.27	882	76	T3	T3	
						39.160	6.07	787	72	T4	T3	
						44.500	6.58	969	63	T4	T3	
						49.500	5.27	864	57	T4	T3	
						56.250	5.27	982	50	T4	T3	
	GST09-2N □□□	□F				11.667	10.72	414	240	T3	-	-
		<b>1F</b>	<b>1F</b>	2F	3F	12.362	10.72	438	227	T3	-	-
<b>100</b>		<b>112</b>	90	90	14.048	10.72	498	199	T3	-	-	
<b>160</b>		<b>160</b>	160	200	15.156	12.17	611	185	T3	-	-	
					17.222	12.17	694	163	T3	-	-	
					20.533	11.27	766	136	T3	-	-	
					23.333	11.27	871	120	T3	-	-	
					24.933	9.67	798	112	T3	-	-	
					28.333	9.67	906	99	T3	-	-	
					32.267	7.76	828	87	T3	-	-	
					36.667	7.76	941	76	T3	-	-	
					39.160	6.47	839	72	T4	-	-	
					44.500	7.02	1033	63	T4	-	-	
GST09-2N □□□		□G				11.667	20.97	809	240	T3	-	-
	<b>1G</b>	2G	2G	3G	12.362	20.55	841	227	T3	-	-	
	<b>132</b>	100	112	132	14.048	18.52	861	199	T3	-	-	
	<b>300</b>	250	250	250	15.156	20.38	1022	185	T3	-	-	
					17.222	18.37	1047	163	T3	-	-	
					20.533	16.66	1132	136	T3	-	-	
					23.333	14.89	1150	120	T3	-	-	
					24.933	14.62	1206	112	T3	-	-	
					28.333	13.12	1230	99	T3	-	-	

## $n_1 = 1400 \text{ rpm}$

GST09-2N □□□	□D				32.267	2.31	493	43	T4	T4	T4
	<b>1D</b>	2D			36.667	2.31	560	38	T4	T4	T4
	<b>90</b>	80			39.160	1.93	501	36	T4	T4	T4
	<b>160</b>	160			44.500	1.93	569	32	T4	T4	T4
					49.500	1.55	508	28	T4	T4	T4
					56.250	1.55	577	25	T4	T4	T4
GST09-2N □□□	□E				7.305	6.60	319	192	T4	T3	T4
	<b>1E</b>	<b>1E</b>	2E	3E	4E	8.027	6.60	350	174	T4	T3
	<b>100</b>	<b>112</b>	90	80	90	12.362	6.60	540	113	T4	T3
	<b>160</b>	<b>160</b>	160	160	200	14.048	6.60	613	100	T4	T3
						20.533	5.72	777	68	T4	T4
						23.333	5.72	883	60	T4	T4
						24.933	4.91	810	56	T4	T4
						28.333	4.91	920	49	T4	T4

For dimensions, see page 3-88 onwards.



# Helical gearbox selection tables

Gearboxes with mounting flange for Atex category 2GD, 3GD (zone 1, 21, 2, 22)



$M_2 \text{ perm} \leq 1333 \text{ Nm}$				GST09-2N □□□						
Gearbox with	Mounting flange size Motor frame size Flange diameter			i	$P_{1 \text{ perm}}$ [kW]	$M_2 \text{ perm}$ [Nm]	$n_2$ [rpm]	Temperature class T3 (G) $\cong$ 190 °C (D) T4 (G) $\cong$ 125 °C (D)		
								Mounting position A, B, C D E, F		

## $n_1 = 1400 \text{ rpm}$

GST09-2N □□□	□E				32.267	3.94	841	43	T4	T4	T4	
	<b>1E</b>	<b>1E</b>	2E	3E	36.667	3.94	956	38	T4	T4	T4	
	<b>100</b>	<b>112</b>	90	80	39.160	3.29	853	36	T4	T4	T4	
	<b>160</b>	<b>160</b>	160	160	44.500	3.29	969	32	T4	T4	T4	
					49.500	2.64	864	28	T4	T4	T4	
					56.250	2.64	982	25	T4	T4	T4	
GST09-2N □□□	□F				5.324	6.60	232	263	T3	T3	T3	
	<b>1F</b>	<b>1F</b>	2F	3F	5.850	6.60	255	239	T3	T3	T3	
	<b>100</b>	<b>112</b>	90	90	6.667	6.60	291	210	T3	T3	T3	
	<b>160</b>	<b>160</b>	160	200	7.305	6.60	319	192	T4	T3	T4	
					8.027	6.60	350	174	T4	T3	T4	
					9.010	6.60	393	155	T3	T3	T3	
					10.267	6.60	448	136	T3	T3	T3	
					11.667	6.60	509	120	T3	T3	T3	
					12.362	6.60	540	113	T4	T3	T4	
					14.048	6.60	613	100	T4	T3	T4	
					15.156	6.60	662	92	T4	T4	T4	
					17.222	6.60	752	81	T4	T4	T4	
					20.533	6.11	830	68	T4	T4	T4	
					23.333	6.11	943	60	T4	T4	T4	
					24.933	5.24	864	56	T4	T4	T4	
					28.333	5.24	982	49	T4	T4	T4	
					32.267	4.20	898	43	T4	T4	T4	
					36.667	4.20	1020	38	T4	T4	T4	
					39.160	3.51	909	36	T4	T4	T4	
					44.500	3.51	1033	32	T4	T4	T4	
GST09-2N □□□	□G				4.056	17.59	472	345	T3	T3	T3	
	<b>1G</b>	2G	2G	3G	4.457	17.59	519	314	T3	T3	T3	
	<b>132</b>	100	112	132	5.324	17.59	620	263	T3	T3	T3	
	<b>300</b>	250	250	250	5.850	17.59	681	239	T3	T3	T3	
					6.667	17.59	776	210	T3	T3	T3	
					7.305	17.42	842	192	T4	T3	T4	
					8.027	17.42	926	174	T4	T3	T4	
					9.010	15.63	932	155	T3	T3	T3	
					10.267	14.33	973	136	T3	T3	T3	
					11.667	12.91	997	120	T3	T3	T3	
					12.362	12.65	1035	113	T4	T3	T4	
					14.048	11.40	1060	100	T4	T3	T4	
					15.156	11.04	1108	92	T4	T3	T4	
					17.222	9.95	1134	81	T4	T3	T4	
					20.533	9.03	1227	68	T4	T4	T4	
					23.333	8.07	1246	60	T4	T4	T4	
					24.933	7.92	1307	56	T4	T4	T4	
					28.333	7.11	1333	49	T4	T4	T4	
	GST09-2N □□□	□H				4.056	27.03	726	345	T3	T3	T3
		<b>1H</b>	2H	3H		4.457	26.09	770	314	T3	T3	T3
<b>160</b>		180	132		5.324	23.29	821	263	T3	T3	T3	
<b>350</b>		350	300		5.850	21.77	843	239	T3	T3	T3	
					6.667	19.95	880	210	T3	T3	T3	
					7.305	18.86	912	192	T3	T3	T3	
					8.027	17.63	936	174	T3	T3	T3	
					9.010	15.63	932	155	T3	T3	T3	
					10.267	14.33	973	136	T3	T3	T3	
					11.667	12.91	997	120	T3	T3	T3	
					12.362	12.65	1035	113	T3	T3	T3	
					14.048	11.40	1060	100	T3	T3	T3	
					15.156	11.04	1108	92	T4	T3	T4	
					17.222	9.95	1134	81	T4	T3	T4	

For dimensions, see page 3-88 onwards.

# Helical gearbox selection tables

Gearboxes with mounting flange for Atex category 2GD, 3GD (zone 1, 21, 2, 22)

$M_2 \text{ perm} \leq 1333 \text{ Nm}$		GST09-2N □□□						
Gearbox with	Mounting flange size Motor frame size Flange diameter	i	$P_{1 \text{ perm}}$ [kW]	$M_2 \text{ perm}$ [Nm]	$n_2$ [rpm]	Temperature class		
						T3 (G) $\cong$ 190 °C (D) T4 (G) $\cong$ 125 °C (D)		
						Mounting position		
						A, B, E, F	C	D
<b><math>n_1 = 1400 \text{ rpm}</math></b>								
GST09-2N □□□	1K	4.056	27.03	726	345	T3	T3	T3
	200	4.457	26.09	770	314	T3	T3	T3
	400	5.324	23.29	821	263	T3	T3	T3
		5.850	21.77	843	239	T3	T3	T3
		9.010	15.63	932	155	T3	T3	T3
<b><math>n_1 = 700 \text{ rpm}</math></b>								
GST09-2N □□□	□D	32.267	1.16	494	22	T4	T4	T4
	1D 2D	36.667	1.16	562	19	T4	T4	T4
	90 80	39.160	0.97	501	18	T4	T4	T4
	160 160	44.500	0.97	569	16	T4	T4	T4
		49.500	0.78	508	14	T4	T4	T4
		56.250	0.78	577	12	T4	T4	T4
GST09-2N □□□	□E	7.305	4.23	409	96	T4	T4	T4
	1E 1E 2E 3E 4E	8.027	4.23	449	87	T4	T4	T4
	100 112 90 80 90	12.362	4.23	692	57	T4	T4	T4
	160 160 160 160 200	14.048	4.23	786	50	T4	T4	T4
		20.533	2.86	777	34	T4	T4	T4
		23.333	2.86	883	30	T4	T4	T4
		24.933	2.45	810	28	T4	T4	T4
		28.333	2.45	920	25	T4	T4	T4
		32.267	1.97	841	22	T4	T4	T4
		36.667	1.97	956	19	T4	T4	T4
		39.160	1.65	853	18	T4	T4	T4
		44.500	1.65	969	16	T4	T4	T4
		49.500	1.32	864	14	T4	T4	T4
		56.250	1.32	982	12	T4	T4	T4
	GST09-2N □□□	□F	5.324	4.40	310	132	T4	T4
1F 1F 2F 3F		5.850	4.40	341	120	T4	T4	T4
100 112 90 90		6.667	4.40	388	105	T4	T4	T4
160 160 160 200		7.305	4.40	425	96	T4	T4	T4
		8.027	4.40	467	87	T4	T4	T4
		9.010	4.40	524	78	T4	T4	T4
		10.267	4.40	598	68	T4	T4	T4
		11.667	4.40	679	60	T4	T4	T4
		12.362	4.40	720	57	T4	T4	T4
		14.048	4.40	818	50	T4	T4	T4
		15.156	3.90	782	46	T4	T4	T4
		17.222	3.90	888	41	T4	T4	T4
		20.533	3.05	830	34	T4	T4	T4
		23.333	3.05	943	30	T4	T4	T4
		24.933	2.62	864	28	T4	T4	T4
		28.333	2.62	982	25	T4	T4	T4
		32.267	2.10	898	22	T4	T4	T4
		36.667	2.10	1020	19	T4	T4	T4
		39.160	1.75	909	18	T4	T4	T4
	44.500	1.75	1033	16	T4	T4	T4	
GST09-2N □□□	□G	4.056	11.73	630	173	T4	T4	T4
	1G 2G 2G 3G	4.457	11.73	692	157	T4	T4	T4
	132 100 112 132	5.324	10.81	762	132	T4	T4	T4
	300 250 250 250	5.850	10.81	837	120	T4	T4	T4
		6.667	9.91	875	105	T4	T4	T4
		7.305	8.71	842	96	T4	T4	T4
		8.027	8.71	926	87	T4	T4	T4
		9.010	7.82	932	78	T4	T4	T4
		10.267	7.16	973	68	T4	T4	T4
		11.667	6.45	997	60	T4	T4	T4
		12.362	6.33	1035	57	T4	T4	T4

For dimensions, see page 3-88 onwards.

# Helical gearbox selection tables

Gearboxes with mounting flange for Atex category 2GD, 3GD (zone 1, 21, 2, 22)



$M_2 \text{ perm} \leq 1333 \text{ Nm}$				GST09-2N □□□							
Gearbox with	Mounting flange size			i	$P_{1 \text{ perm}}$	$M_2 \text{ perm}$	$n_2$	Temperature class			
	Motor frame size	Flange diameter						T3 (G) $\cong$ 190 °C (D) T4 (G) $\cong$ 125 °C (D)			
								Mounting position			
					[kW]	[Nm]	[rpm]	A, B, E, F	C	D	
<b><math>n_1 = 700 \text{ rpm}</math></b>											
GST09-2N □□□ □G	1G	2G	2G	3G	14.048	5.70	1060	50	T4	T4	T4
	132	100	112	132	15.156	5.52	1108	46	T4	T4	T4
	300	250	250	250	17.222	4.98	1134	41	T4	T4	T4
					20.533	4.51	1227	34	T4	T4	T4
					23.333	4.03	1246	30	T4	T4	T4
					24.933	3.96	1307	28	T4	T4	T4
					28.333	3.55	1333	25	T4	T4	T4
	GST09-2N □□□ □H	1H	2H	3H		4.056	13.52	726	173	T4	T3
160		180	132		4.457	13.04	770	157	T4	T3	T4
350		350	300		5.324	11.64	821	132	T4	T3	T4
					5.850	10.88	843	120	T4	T3	T4
					6.667	9.98	880	105	T4	T3	T4
					7.305	9.43	912	96	T4	T3	T4
					8.027	8.81	936	87	T4	T3	T4
					9.010	7.82	932	78	T4	T3	T4
					10.267	7.16	973	68	T4	T3	T4
					11.667	6.45	997	60	T4	T3	T4
					12.362	6.33	1035	57	T4	T3	T4
					14.048	5.70	1060	50	T4	T3	T4
					15.156	5.52	1108	46	T4	T3	T4
					17.222	4.98	1134	41	T4	T3	T4
GST09-2N □□□ 1K		200				4.056	13.52	726	173	T4	T3
	400				4.457	13.04	770	157	T4	T3	T4
					5.324	11.64	821	132	T4	T3	T4
					5.850	10.88	843	120	T4	T3	T4
					9.010	7.82	932	78	T4	T3	T4

For dimensions, see page 3-88 onwards.

# Helical gearbox selection tables

Gearboxes with mounting flange for Atex category 2GD, 3GD (zone 1, 21, 2, 22)

$M_2 \text{ perm} \leq 1623 \text{ Nm}$				GST09-3N □□□						
Gearbox with	Mounting flange size			i	$P_1 \text{ perm}$	$M_2 \text{ perm}$	$n_2$	Temperature class		
	Motor frame size	Flange diameter						T3 (G) $\cong$ 190 °C (D) T4 (G) $\cong$ 125 °C (D)		
								Mounting position		
								A, B, E, F	C	D

$n_1 = 1400 \text{ rpm}$

GST09-3N □□□	<b>1B</b>				182.844	0.69	827	7.7	T4	T4	T4					
					207.778	0.69	939	6.7	T4	T4	T4					
					236.622	0.69	1070	5.9	T4	T4	T4					
					252.167	0.58	952	5.6	T4	T4	T4					
					268.889	0.69	1216	5.2	T4	T4	T4					
					326.333	0.58	1232	4.3	T4	T4	T4					
					363.000	0.46	1099	3.9	T4	T4	T4					
					412.500	0.46	1248	3.4	T4	T4	T4					
GST09-3N □□□	<b>1C</b>	2C 3C 4C 6C 7C	71 71 71 63 80	160 105 120 160 120	40.136	1.87	489	35	T4	T4	T4					
					93.541	1.62	990	15	T4	T4	T4					
					113.585	1.62	1202	12	T4	T4	T4					
					129.074	1.62	1366	11	T4	T4	T4					
					141.289	1.36	1250	9.9	T4	T4	T4					
					160.556	1.36	1421	8.7	T4	T4	T4					
					182.844	1.09	1299	7.7	T4	T4	T4					
					207.778	1.09	1476	6.7	T4	T4	T4					
					236.622	1.05	1613	5.9	T4	T4	T4					
					252.167	0.91	1495	5.6	T4	T4	T4					
					268.889	0.93	1623	5.2	T4	T4	T4					
					326.333	0.76	1623	4.3	T4	T4	T4					
					363.000	0.68	1613	3.9	T4	T4	T4					
					412.500	0.60	1623	3.4	T4	T4	T4					
					GST09-3N □□□	<b>1D</b>	2D	80	160	40.136	2.31	604	35	T4	T4	T4
										43.267	2.31	651	32	T4	T4	T4
49.167	2.31	740	29	T4						T4	T4					
53.044	2.31	798	26	T4						T4	T4					
60.278	2.31	907	23	T4						T4	T4					
71.867	2.31	1082	20	T4						T4	T4					
81.667	2.31	1229	17	T4						T4	T4					
93.541	2.17	1322	15	T4						T4	T4					
99.167	2.20	1425	14	T4						T4	T4					
113.585	1.86	1379	12	T4						T4	T4					
129.074	1.86	1565	11	T4						T4	T4					
141.289	1.64	1507	9.9	T4						T4	T4					
160.556	1.55	1623	8.7	T4						T4	T4					
182.844	1.35	1613	7.7	T4						T4	T4					
207.778	1.20	1623	6.7	T4						T4	T4					
236.622	1.05	1613	5.9	T4						T4	T4					
252.167	0.99	1623	5.6	T4	T4	T4										
268.889	0.93	1623	5.2	T4	T4	T4										
326.333	0.76	1623	4.3	T4	T4	T4										
GST09-3N □□□	<b>1E</b>	1E 2E 3E 4E	112 90 80 90	160 160 160 200	40.136	4.14	1084	35	T4	T4	T4					
					43.267	3.69	1040	32	T4	T4	T4					
					49.167	3.69	1182	29	T4	T4	T4					
					53.044	3.22	1112	26	T4	T4	T4					
					60.278	3.21	1262	23	T4	T4	T4					
					71.867	2.56	1201	20	T4	T4	T4					
					81.667	2.56	1365	17	T4	T4	T4					
					93.541	2.17	1322	15	T4	T4	T4					
					99.167	2.20	1425	14	T4	T4	T4					
					113.585	1.86	1379	12	T4	T4	T4					
					129.074	1.86	1565	11	T4	T4	T4					
					141.289	1.64	1507	9.9	T4	T4	T4					
					160.556	1.55	1623	8.7	T4	T4	T4					
					GST09-3N □□□	<b>1F</b>	1F 2F 3F	112 90 90	160 160 200	40.136	4.14	1084	35	T4	T4	T4
										43.267	3.69	1040	32	T4	T4	T4
										49.167	3.69	1182	29	T4	T4	T4
53.044	3.22	1112	26	T4						T4	T4					
60.278	3.21	1262	23	T4						T4	T4					
71.867	2.56	1201	20	T4						T4	T4					
81.667	2.56	1365	17	T4						T4	T4					
99.167	2.20	1425	14	T4						T4	T4					

For dimensions, see page 3-88 onwards.

# Helical gearbox selection tables

Gearboxes with mounting flange for Atex category 2GD, 3GD (zone 1, 21, 2, 22)



$M_2 \text{ perm} \leq 1623 \text{ Nm}$		GST09-3N □□□						
Gearbox with	Mounting flange size Motor frame size Flange diameter	i	$P_1 \text{ perm}$	$M_2 \text{ perm}$	$n_2$	Temperature class		
						T3 (G) $\cong$ 190 °C (D) T4 (G) $\cong$ 125 °C (D)		
						Mounting position		
						A, B, E, F	C	D

## $n_1 = 700 \text{ rpm}$

GST09-3N □□□	<b>1B</b>		182.844	0.35	827	3.8	T4	T4	T4		
			207.778	0.35	939	3.4	T4	T4	T4		
			236.622	0.35	1070	3.0	T4	T4	T4		
			252.167	0.29	952	2.8	T4	T4	T4		
			268.889	0.35	1216	2.6	T4	T4	T4		
			326.333	0.29	1232	2.2	T4	T4	T4		
			363.000	0.23	1099	1.9	T4	T4	T4		
			412.500	0.23	1248	1.7	T4	T4	T4		
GST09-3N □□□	□C		40.136	1.18	615	17	T4	T4	T4		
		<b>1C</b>	93.541	0.81	990	7.5	T4	T4	T4		
		<b>80</b>	113.585	0.81	1202	6.2	T4	T4	T4		
		<b>160</b>	129.074	0.81	1366	5.4	T4	T4	T4		
			141.289	0.68	1250	5.0	T4	T4	T4		
			160.556	0.68	1421	4.4	T4	T4	T4		
			182.844	0.54	1299	3.8	T4	T4	T4		
			207.778	0.54	1476	3.4	T4	T4	T4		
			236.622	0.52	1613	3.0	T4	T4	T4		
			252.167	0.45	1495	2.8	T4	T4	T4		
			268.889	0.46	1623	2.6	T4	T4	T4		
			326.333	0.38	1623	2.2	T4	T4	T4		
			363.000	0.34	1613	1.9	T4	T4	T4		
			412.500	0.30	1623	1.7	T4	T4	T4		
		GST09-3N □□□	□D		40.136	1.54	805	17	T4	T4	T4
				<b>1D</b>	43.267	1.36	767	16	T4	T4	T4
<b>90</b>	49.167			1.36	871	14	T4	T4	T4		
<b>160</b>	53.044			1.36	940	13	T4	T4	T4		
	60.278			1.36	1068	12	T4	T4	T4		
	71.867			1.28	1201	9.7	T4	T4	T4		
	81.667			1.28	1365	8.6	T4	T4	T4		
	93.541			1.08	1322	7.5	T4	T4	T4		
	99.167			1.10	1425	7.1	T4	T4	T4		
	113.585			0.93	1379	6.2	T4	T4	T4		
	129.074			0.93	1565	5.4	T4	T4	T4		
	141.289			0.82	1507	5.0	T4	T4	T4		
	160.556			0.78	1623	4.4	T4	T4	T4		
	182.844			0.68	1613	3.8	T4	T4	T4		
	207.778			0.60	1623	3.4	T4	T4	T4		
GST09-3N □□□	□E				40.136	2.07	1084	17	T4	T4	T4
		<b>1E</b>	43.267	1.84	1040	16	T4	T4	T4		
		<b>100</b>	49.167	1.84	1182	14	T4	T4	T4		
		<b>160</b>	53.044	1.61	1112	13	T4	T4	T4		
			60.278	1.61	1262	12	T4	T4	T4		
			71.867	1.28	1201	9.7	T4	T4	T4		
			81.667	1.28	1365	8.6	T4	T4	T4		
			93.541	1.08	1322	7.5	T4	T4	T4		
			99.167	1.10	1425	7.1	T4	T4	T4		
			113.585	0.93	1379	6.2	T4	T4	T4		
			129.074	0.93	1565	5.4	T4	T4	T4		
			141.289	0.82	1507	5.0	T4	T4	T4		
			160.556	0.78	1623	4.4	T4	T4	T4		
		GST09-3N □□□	□F		40.136	2.07	1084	17	T4	T4	T4
				<b>1F</b>	43.267	1.84	1040	16	T4	T4	T4
				<b>100</b>	49.167	1.84	1182	14	T4	T4	T4
<b>160</b>	53.044			1.61	1112	13	T4	T4	T4		
	60.278			1.61	1262	12	T4	T4	T4		
	71.867			1.28	1201	9.7	T4	T4	T4		
	81.667			1.28	1365	8.6	T4	T4	T4		
	99.167			1.10	1425	7.1	T4	T4	T4		

For dimensions, see page 3-88 onwards.

# Helical gearbox selection tables

Gearboxes with mounting flange for Atex category 2GD, 3GD (zone 1, 21, 2, 22)

$M_2 \text{ perm} \leq 2596 \text{ Nm}$					GST11-2N □□□							
Gearbox with	Mounting flange size				i	$P_{1 \text{ perm}}$	$M_2 \text{ perm}$	$n_2$	Temperature class			
	Motor frame size	Flange diameter							T3 (G) $\cong$ 190 °C (D)	T4 (G) $\cong$ 125 °C (D)	Mounting position	
								A, B, E, F	C	D		
<b><math>n_1 = 2800 \text{ rpm}</math></b>												
GST11-2N □□□	□E				32.267	8.83	943	87	T3	T3	-	
	<b>1E</b>	<b>1E</b>	2E	3E	36.667	8.83	1071	76	T3	T3	-	
	<b>100</b>	<b>112</b>	90	80	39.160	7.37	956	72	T3	T3	-	
	<b>160</b>	<b>160</b>	160	160	44.500	7.99	1177	63	T3	T3	-	
					49.500	6.41	1050	57	T3	T3	-	
					56.250	6.41	1194	50	T3	T3	-	
GST11-2N □□□	□F				12.571	10.72	446	223	T3	-	-	
	<b>1F</b>	<b>1F</b>	2F	3F	14.286	10.72	507	196	T3	-	-	
	<b>100</b>	<b>112</b>	90	90	20.289	12.17	817	138	T3	-	-	
	<b>160</b>	<b>160</b>	160	200	23.056	12.17	929	121	T3	-	-	
					24.933	11.79	973	112	T3	-	-	
					28.333	11.79	1106	99	T3	-	-	
					32.267	9.48	1012	87	T3	-	-	
					36.667	9.48	1150	76	T3	-	-	
					39.160	7.91	1025	72	T3	-	-	
					44.500	8.57	1263	63	T3	-	-	
					49.500	6.88	1126	57	T3	-	-	
					56.250	6.88	1280	50	T3	-	-	
	GST11-2N □□□	□G				11.200	28.57	1059	250	T3	-	-
		<b>1G</b>	2G	2G	3G	12.571	28.57	1189	223	T3	-	-
<b>132</b>		100	112	132	14.286	28.57	1351	196	T3	-	-	
<b>300</b>		250	250	250	15.400	32.47	1654	182	T3	-	-	
					17.500	32.47	1880	160	T3	-	-	
					20.289	27.14	1822	138	T3	-	-	
					23.056	27.14	2070	121	T3	-	-	
					24.933	22.71	1873	112	T3	-	-	
					28.333	22.71	2129	99	T3	-	-	
					32.267	18.23	1946	87	T3	-	-	
					36.667	18.23	2212	76	T3	-	-	
					39.160	15.22	1972	72	T3	-	-	
					44.500	16.49	2429	63	T3	-	-	
<b><math>n_1 = 1400 \text{ rpm}</math></b>												
GST11-2N □□□	□E				32.267	4.78	1021	43	T4	T4	T4	
	<b>1E</b>	<b>1E</b>	2E	3E	36.667	4.78	1161	38	T4	T4	T4	
	<b>100</b>	<b>112</b>	90	80	39.160	4.00	1036	36	T4	T4	T4	
	<b>160</b>	<b>160</b>	160	160	44.500	4.00	1177	32	T4	T4	T4	
					49.500	3.21	1050	28	T4	T4	T4	
					56.250	3.21	1194	25	T4	T4	T4	
GST11-2N □□□	□F				12.571	6.60	549	111	T3	T3	T3	
	<b>1F</b>	<b>1F</b>	2F	3F	14.286	6.60	624	98	T3	T3	T3	
	<b>100</b>	<b>112</b>	90	90	20.289	6.60	886	69	T4	T4	T4	
	<b>160</b>	<b>160</b>	160	200	23.056	6.60	1007	61	T4	T4	T4	
					24.933	6.39	1055	56	T4	T4	T4	
					28.333	6.39	1198	49	T4	T4	T4	
					32.267	5.13	1097	43	T4	T4	T4	
					36.667	5.13	1246	38	T4	T4	T4	
					39.160	4.29	1111	36	T4	T4	T4	
					44.500	4.29	1263	32	T4	T4	T4	
					49.500	3.44	1126	28	T4	T4	T4	
					56.250	3.44	1280	25	T4	T4	T4	
	GST11-2N □□□	□G				6.400	17.59	745	219	T3	T3	T3
		<b>1G</b>	2G	2G	3G	9.856	17.59	1148	142	T3	T3	T3
<b>132</b>		100	112	132	11.200	17.59	1304	125	T3	T3	T3	
<b>300</b>		250	250	250	12.571	17.59	1464	111	T3	T3	T3	
					14.286	17.59	1663	98	T3	T3	T3	
					15.400	17.59	1793	91	T3	T3	T3	
					17.500	17.59	2037	80	T3	T3	T3	

For dimensions, see page 3-88 onwards.

# Helical gearbox selection tables

Gearboxes with mounting flange for Atex category 2GD, 3GD (zone 1, 21, 2, 22)



$M_2 \text{ perm} \leq 2596 \text{ Nm}$				GST11-2N □□□						
Gearbox with	Mounting flange size Motor frame size Flange diameter			i	$P_1 \text{ perm}$ [kW]	$M_2 \text{ perm}$ [Nm]	$n_2$ [rpm]	Temperature class T3 (G) $\cong$ 190 °C (D) T4 (G) $\cong$ 125 °C (D)		
								Mounting position A, B, C D E, F		

## $n_1 = 1400 \text{ rpm}$

GST11-2N □□□ □G	1G	2G	2G	3G	20.289	14.70	1974	69	T4	T3	T4
	132	100	112	132	23.056	14.70	2244	61	T4	T3	T4
	300	250	250	250	24.933	12.30	2030	56	T4	T4	T4
					28.333	12.30	2307	49	T4	T4	T4
					32.267	9.88	2109	43	T4	T4	T4
					36.667	9.88	2397	38	T4	T4	T4
					39.160	8.25	2137	36	T4	T4	T4
				44.500	8.25	2429	32	T4	T4	T4	
GST11-2N □□□ □H	1H	2H	3H		4.056	44.77	1202	345	T3	T3	T3
	160	180	132		4.457	43.91	1295	314	T3	T3	T3
	350	350	300		5.324	39.34	1386	263	T3	T3	T3
					5.850	38.45	1489	239	T3	T3	T3
					6.400	37.29	1579	219	T3	T3	T3
					6.864	36.66	1666	204	T3	T3	T3
					7.800	33.02	1704	180	T3	T3	T3
					9.010	30.56	1822	155	T3	T3	T3
					9.856	28.75	1875	142	T3	T3	T3
					11.200	25.89	1919	125	T3	T3	T3
					12.571	24.43	2033	111	T3	T3	T3
					14.286	21.99	2079	98	T3	T3	T3
					15.400	21.32	2173	91	T3	T3	T3
					17.500	19.20	2224	80	T3	T3	T3
					20.289	17.70	2376	69	T4	T3	T4
					23.056	15.91	2428	61	T4	T3	T4
				24.933	15.44	2548	56	T4	T3	T4	
				28.333	13.84	2596	49	T4	T3	T4	
GST11-2N □□□ □K	1K	2K			4.056	44.77	1202	345	T3	T3	T3
	200	225			4.457	43.91	1295	314	T3	T3	T3
	400	450			5.324	39.34	1386	263	T3	T3	T3
					5.850	38.45	1489	239	T3	T3	T3
					6.400	37.29	1579	219	T3	T3	T3
					6.864	36.66	1666	204	T3	T3	T3
					7.800	33.02	1704	180	T3	T3	T3
					9.010	30.56	1822	155	T3	T3	T3
					9.856	28.75	1875	142	T3	T3	T3
					11.200	25.89	1919	125	T3	T3	T3
					12.571	24.43	2033	111	T3	T3	T3
					14.286	21.99	2079	98	T3	T3	T3
					15.400	21.32	2173	91	T3	T3	T3
					17.500	19.20	2224	80	T3	T3	T3

## $n_1 = 700 \text{ rpm}$

GST11-2N □□□ □E	1E	1E	2E	3E	4E	32.267	2.39	1021	22	T4	T4	T4
	100	112	90	80	90	36.667	2.39	1161	19	T4	T4	T4
	160	160	160	160	200	39.160	2.00	1036	18	T4	T4	T4
						44.500	2.00	1177	16	T4	T4	T4
						49.500	1.60	1050	14	T4	T4	T4
						56.250	1.60	1194	12	T4	T4	T4
GST11-2N □□□ □F	1F	1F	2F	3F		12.571	4.40	732	56	T4	T4	T4
	100	112	90	90		14.286	4.40	832	49	T4	T4	T4
	160	160	160	200		20.289	3.82	1027	35	T4	T4	T4
						23.056	3.82	1167	30	T4	T4	T4
						24.933	3.20	1055	28	T4	T4	T4
						28.333	3.20	1198	25	T4	T4	T4
						32.267	2.57	1097	22	T4	T4	T4
						36.667	2.57	1246	19	T4	T4	T4
						39.160	2.14	1111	18	T4	T4	T4
						44.500	2.14	1263	16	T4	T4	T4
						49.500	1.72	1126	14	T4	T4	T4
						56.250	1.72	1280	12	T4	T4	T4

For dimensions, see page 3-88 onwards.

# Helical gearbox selection tables

Gearboxes with mounting flange for Atex category 2GD, 3GD (zone 1, 21, 2, 22)

$M_2 \text{ perm} \leq 2596 \text{ Nm}$				GST11-2N □□□								
Gearbox with	Mounting flange size			i	$P_1 \text{ perm}$	$M_2 \text{ perm}$	$n_2$	Temperature class				
	Motor frame size	Flange diameter						T3 (G) $\cong$ 190 °C (D) T4 (G) $\cong$ 125 °C (D)				
								Mounting position				
					[kW]	[Nm]	[rpm]	A, B, E, F	C	D		
<b><math>n_1 = 700 \text{ rpm}</math></b>												
GST11-2N □□□ □G	1G	2G	2G	3G	6.400	11.73	994	109	T4	T4	T4	
	132	100	112	132	9.856	11.73	1530	71	T4	T4	T4	
	300	250	250	250	11.200	11.73	1739	63	T4	T4	T4	
					12.571	10.61	1765	56	T4	T4	T4	
					14.286	10.61	2006	49	T4	T4	T4	
					15.400	9.14	1864	46	T4	T4	T4	
					17.500	9.14	2118	40	T4	T4	T4	
					20.289	7.35	1974	35	T4	T4	T4	
					23.056	7.35	2244	30	T4	T4	T4	
					24.933	6.15	2030	28	T4	T4	T4	
					28.333	6.15	2307	25	T4	T4	T4	
					32.267	4.94	2109	22	T4	T4	T4	
					36.667	4.94	2397	19	T4	T4	T4	
					39.160	4.12	2137	18	T4	T4	T4	
					44.500	4.12	2429	16	T4	T4	T4	
	GST11-2N □□□ □H	1H	2H	3H		4.056	22.39	1202	173	T4	T3	T4
		160	180	132		4.457	21.96	1295	157	T4	T3	T4
		350	350	300		5.324	19.67	1386	132	T4	T3	T4
					5.850	19.23	1489	120	T4	T3	T4	
					6.400	18.64	1579	109	T4	T3	T4	
					6.864	18.33	1666	102	T4	T3	T4	
					7.800	16.51	1704	90	T4	T3	T4	
					9.010	15.28	1822	78	T4	T3	T4	
					9.856	14.37	1875	71	T4	T3	T4	
					11.200	12.94	1919	63	T4	T3	T4	
					12.571	12.21	2033	56	T4	T3	T4	
					14.286	11.00	2079	49	T4	T3	T4	
					15.400	10.66	2173	46	T4	T3	T4	
					17.500	9.60	2224	40	T4	T3	T4	
					20.289	8.85	2376	35	T4	T3	T4	
					23.056	7.95	2428	30	T4	T3	T4	
					24.933	7.72	2548	28	T4	T3	T4	
					28.333	6.92	2596	25	T4	T3	T4	
GST11-2N □□□ □K	1K	2K			4.056	22.39	1202	173	T4	T3	T4	
	200	225			4.457	21.96	1295	157	T4	T3	T4	
	400	450			5.324	19.67	1386	132	T4	T3	T4	
					5.850	19.23	1489	120	T4	T3	T4	
					6.400	18.64	1579	109	T4	T3	T4	
					6.864	18.33	1666	102	T4	T3	T4	
					7.800	16.51	1704	90	T4	T3	T4	
					9.010	15.28	1822	78	T4	T3	T4	
					9.856	14.37	1875	71	T4	T3	T4	
					11.200	12.94	1919	63	T4	T3	T4	
					12.571	12.21	2033	56	T4	T3	T4	
					14.286	11.00	2079	49	T4	T3	T4	
					15.400	10.66	2173	46	T4	T3	T4	
					17.500	9.60	2224	40	T4	T3	T4	

For dimensions, see page 3-88 onwards.



# Helical gearbox selection tables

Gearboxes with mounting flange for Atex category 2GD, 3GD (zone 1, 21, 2, 22)



$M_2 \text{ perm} \leq 2848 \text{ Nm}$							GST11-3N □□□						
Gearbox with	Mounting flange size Motor frame size Flange diameter						i	$P_{1 \text{ perm}}$ [kW]	$M_2 \text{ perm}$ [Nm]	$n_2$ [rpm]	Temperature class T3 (G) $\cong$ 190 °C (D) T4 (G) $\cong$ 125 °C (D)		
	A, B, E, F			C		D							
<b><math>n_1 = 1400 \text{ rpm}</math></b>													
GST11-3N □□□ □C	1C	2C	3C	4C	6C	7C	207.778	1.34	1811	6.7	T4	T4	T4
	80	71	71	71	63	80	236.622	1.34	2062	5.9	T4	T4	T4
	160	160	105	120	160	120	252.167	1.12	1835	5.6	T4	T4	T4
							268.889	1.34	2344	5.2	T4	T4	T4
							326.333	1.12	2375	4.3	T4	T4	T4
							363.000	0.90	2118	3.9	T4	T4	T4
							412.500	0.90	2407	3.4	T4	T4	T4
GST11-3N □□□ □D	1D	2D					40.816	2.31	614	34	T4	T4	T4
	90	80					44.000	2.31	662	32	T4	T4	T4
	160	160					50.000	2.31	753	28	T4	T4	T4
							57.968	2.31	873	24	T4	T4	T4
							129.074	2.31	1943	11	T4	T4	T4
							146.993	2.31	2213	9.5	T4	T4	T4
							158.194	2.29	2366	8.9	T4	T4	T4
							180.156	2.29	2695	7.8	T4	T4	T4
							207.778	1.80	2436	6.7	T4	T4	T4
							236.622	1.75	2695	5.9	T4	T4	T4
							252.167	1.50	2468	5.6	T4	T4	T4
							268.889	1.62	2848	5.2	T4	T4	T4
							326.333	1.34	2848	4.3	T4	T4	T4
							363.000	1.14	2695	3.9	T4	T4	T4
							412.500	1.06	2848	3.4	T4	T4	T4
GST11-3N □□□ □E	1E	1E	2E	3E	4E		40.816	6.43	1710	34	T4	T4	T4
	100	112	90	80	90		44.000	6.43	1843	32	T4	T4	T4
	160	160	160	160	200		50.000	6.43	2095	28	T4	T4	T4
							57.968	5.59	2112	24	T4	T4	T4
							61.250	5.53	2208	23	T4	T4	T4
							71.011	4.75	2197	20	T4	T4	T4
							80.694	4.95	2604	17	T4	T4	T4
							87.267	3.96	2251	16	T4	T4	T4
							99.167	4.14	2676	14	T4	T4	T4
							112.933	3.18	2344	12	T4	T4	T4
							129.074	3.34	2810	11	T4	T4	T4
							146.993	2.70	2591	9.5	T4	T4	T4
							158.194	2.72	2810	8.9	T4	T4	T4
							180.156	2.29	2695	7.8	T4	T4	T4
							207.778	2.07	2810	6.7	T4	T4	T4
						236.622	1.75	2695	5.9	T4	T4	T4	
						252.167	1.71	2810	5.6	T4	T4	T4	
						268.889	1.62	2848	5.2	T4	T4	T4	
						326.333	1.34	2848	4.3	T4	T4	T4	
GST11-3N □□□ □F	1F	1F	2F	3F			40.816	6.60	1755	34	T4	T4	T4
	100	112	90	90			44.000	6.60	1892	32	T4	T4	T4
	160	160	160	200			50.000	6.60	2150	28	T4	T4	T4
							57.968	5.59	2112	24	T4	T4	T4
							61.250	5.84	2331	23	T4	T4	T4
							71.011	4.75	2197	20	T4	T4	T4
							80.694	4.95	2604	17	T4	T4	T4
							87.267	3.96	2251	16	T4	T4	T4
							99.167	4.14	2676	14	T4	T4	T4
							112.933	3.18	2344	12	T4	T4	T4
							129.074	3.34	2810	11	T4	T4	T4
							146.993	2.70	2591	9.5	T4	T4	T4
							158.194	2.72	2810	8.9	T4	T4	T4
							180.156	2.29	2695	7.8	T4	T4	T4
	GST11-3N □□□ □G	1G	2G	2G	3G			40.816	7.86	2090	34	T4	T3
132		100	112	132			44.000	6.83	1959	32	T4	T3	T4
300		250	250	250			50.000	6.85	2234	28	T4	T3	T4
							57.968	5.59	2112	24	T4	T3	T4

For dimensions, see page 3-88 onwards.

# Helical gearbox selection tables

Gearboxes with mounting flange for Atex category 2GD, 3GD (zone 1, 21, 2, 22)

$M_2 \text{ perm} \leq 2848 \text{ Nm}$				GST11-3N □□□							
Gearbox with	Mounting flange size			i	$P_1 \text{ perm}$	$M_2 \text{ perm}$	$n_2$	Temperature class			
	Motor frame size	Flange diameter						T3 (G) $\cong$ 190 °C (D) T4 (G) $\cong$ 125 °C (D)			
								Mounting position			
					[kW]	[Nm]	[rpm]	A, B, E, F	C	D	
<b><math>n_1 = 1400 \text{ rpm}</math></b>											
GST11-3N □□□	□G			61.250	6.09	2433	23	T4	T4	T4	
	<b>1G</b>	2G	2G	71.011	4.75	2197	20	T4	T4	T4	
	<b>132</b>	100	112	80.694	4.95	2604	17	T4	T4	T4	
	<b>300</b>	250	250	87.267	3.96	2251	16	T4	T4	T4	
				99.167	4.14	2676	14	T4	T4	T4	
				112.933	3.18	2344	12	T4	T4	T4	
<b><math>n_1 = 700 \text{ rpm}</math></b>											
GST11-3N □□□	□C			207.778	0.67	1811	3.4	T4	T4	T4	
	<b>1C</b>	2C	3C	236.622	0.67	2062	3.0	T4	T4	T4	
	<b>80</b>	71	71	252.167	0.56	1835	2.8	T4	T4	T4	
	<b>160</b>	160	105	268.889	0.67	2344	2.6	T4	T4	T4	
				326.333	0.56	2375	2.2	T4	T4	T4	
				363.000	0.45	2118	1.9	T4	T4	T4	
				412.500	0.45	2407	1.7	T4	T4	T4	
	GST11-3N □□□	□D			40.816	1.54	819	17	T4	T4	T4
<b>1D</b>		2D		44.000	1.54	883	16	T4	T4	T4	
<b>90</b>		80		50.000	1.54	1003	14	T4	T4	T4	
<b>160</b>		160		57.968	1.54	1163	12	T4	T4	T4	
				129.074	1.34	2254	5.4	T4	T4	T4	
				146.993	1.34	2567	4.8	T4	T4	T4	
				158.194	1.15	2366	4.4	T4	T4	T4	
				180.156	1.15	2695	3.9	T4	T4	T4	
				207.778	0.90	2436	3.4	T4	T4	T4	
				236.622	0.87	2695	3.0	T4	T4	T4	
				252.167	0.75	2468	2.8	T4	T4	T4	
				268.889	0.81	2848	2.6	T4	T4	T4	
				326.333	0.67	2848	2.2	T4	T4	T4	
				363.000	0.57	2695	1.9	T4	T4	T4	
				412.500	0.53	2848	1.7	T4	T4	T4	
GST11-3N □□□		□E			40.816	3.21	1710	17	T4	T4	T4
		<b>1E</b>	<b>1E</b>	2E	44.000	3.21	1843	16	T4	T4	T4
		<b>100</b>	<b>112</b>	90	50.000	3.21	2095	14	T4	T4	T4
	<b>160</b>	<b>160</b>	160	57.968	2.79	2112	12	T4	T4	T4	
				61.250	2.77	2208	11	T4	T4	T4	
				71.011	2.37	2197	9.9	T4	T4	T4	
				80.694	2.48	2604	8.7	T4	T4	T4	
				87.267	1.98	2251	8.0	T4	T4	T4	
				99.167	2.07	2676	7.1	T4	T4	T4	
				112.933	1.59	2344	6.2	T4	T4	T4	
				129.074	1.67	2810	5.4	T4	T4	T4	
				146.993	1.35	2591	4.8	T4	T4	T4	
				158.194	1.36	2810	4.4	T4	T4	T4	
				180.156	1.15	2695	3.9	T4	T4	T4	
				207.778	1.04	2810	3.4	T4	T4	T4	
				236.622	0.87	2695	3.0	T4	T4	T4	
				252.167	0.85	2810	2.8	T4	T4	T4	
				268.889	0.81	2848	2.6	T4	T4	T4	
			326.333	0.67	2848	2.2	T4	T4	T4		
GST11-3N □□□	□F			40.816	3.38	1801	17	T4	T4	T4	
	<b>1F</b>	<b>1F</b>	2F	44.000	3.38	1942	16	T4	T4	T4	
	<b>100</b>	<b>112</b>	90	50.000	3.38	2206	14	T4	T4	T4	
	<b>160</b>	<b>160</b>	160	57.968	2.79	2112	12	T4	T4	T4	
				61.250	2.92	2331	11	T4	T4	T4	
				71.011	2.37	2197	9.9	T4	T4	T4	
				80.694	2.48	2604	8.7	T4	T4	T4	
				87.267	1.98	2251	8.0	T4	T4	T4	

For dimensions, see page 3-88 onwards.

# Helical gearbox selection tables

Gearboxes with mounting flange for Atex category 2GD, 3GD (zone 1, 21, 2, 22)



$M_2 \text{ perm} \leq 2848 \text{ Nm}$				GST11-3N □□□							
Gearbox with	Mounting flange size			i	$P_1 \text{ perm}$	$M_2 \text{ perm}$	$n_2$	Temperature class			
	Motor frame size	Flange diameter						T3 (G) $\cong$ 190 °C (D) T4 (G) $\cong$ 125 °C (D)			
								Mounting position			
					[kW]	[Nm]	[rpm]	A, B, E, F	C	D	
<b><math>n_1 = 700 \text{ rpm}</math></b>											
GST11-3N □□□ □F	1F	1F	2F	3F	99.167	2.07	2676	7.1	T4	T4	T4
	100	112	90	90	112.933	1.59	2344	6.2	T4	T4	T4
	160	160	160	200	129.074	1.67	2810	5.4	T4	T4	T4
					146.993	1.35	2591	4.8	T4	T4	T4
					158.194	1.36	2810	4.4	T4	T4	T4
					180.156	1.15	2695	3.9	T4	T4	T4
GST11-3N □□□ □G	1G	2G	2G	3G	40.816	3.93	2090	17	T4	T4	T4
	132	100	112	132	44.000	3.42	1959	16	T4	T4	T4
	300	250	250	250	50.000	3.43	2234	14	T4	T4	T4
					57.968	2.79	2112	12	T4	T4	T4
					61.250	3.05	2433	11	T4	T4	T4
					71.011	2.37	2197	9.9	T4	T4	T4
					80.694	2.48	2604	8.7	T4	T4	T4
					87.267	1.98	2251	8.0	T4	T4	T4
					99.167	2.07	2676	7.1	T4	T4	T4
					112.933	1.59	2344	6.2	T4	T4	T4

For dimensions, see page 3-88 onwards.

# Helical gearbox selection tables

Gearboxes with mounting flange for Atex category 2GD, 3GD (zone 1, 21, 2, 22)

$M_2 \text{ perm} \leq 5076 \text{ Nm}$				GST14-2N □□□							
Gearbox with	Mounting flange size			i	$P_{1 \text{ perm}}$	$M_2 \text{ perm}$	$n_2$	Temperature class			
	Motor frame size	Flange diameter						T3 (G) $\cong$ 190 °C (D) T4 (G) $\cong$ 125 °C (D)			
					[kW]	[Nm]	[rpm]	Mounting position			
								A, B, E, F	C	D	
<b><math>n_1 = 2800 \text{ rpm}</math></b>											
GST14-2N □□□ □G	1G	2G	2G	3G	20.044	32.47	2153	140	T3	-	-
	132	100	112	132	22.778	32.47	2447	123	T3	-	-
	300	250	250	250	24.567	28.11	2286	114	T3	-	-
					27.917	28.11	2597	100	T3	-	-
					32.267	22.05	2355	87	T3	-	-
					36.667	22.05	2676	76	T3	-	-
					39.160	18.42	2388	72	T3	-	-
					44.500	19.97	2940	63	T3	-	-
					49.500	16.03	2625	57	T3	-	-
					56.250	16.03	2983	50	T3	-	-
<b><math>n_1 = 1400 \text{ rpm}</math></b>											
GST14-2N □□□ □G	1G	2G	2G	3G	20.044	17.59	2334	70	T3	T3	T3
	132	100	112	132	22.778	17.59	2652	62	T3	T3	T3
	300	250	250	250	24.567	15.23	2477	57	T4	T3	T4
					27.917	15.23	2815	50	T4	T3	T4
					32.267	11.95	2552	43	T4	T4	T4
					36.667	11.95	2900	38	T4	T4	T4
					39.160	9.98	2587	36	T4	T4	T4
					44.500	9.98	2940	32	T4	T4	T4
					49.500	8.01	2625	28	T4	T4	T4
					56.250	8.01	2983	25	T4	T4	T4
GST14-2N □□□ □H	1H	2H	3H		5.200	49.48	1703	269	T3	T3	T3
	160	180	132		5.714	49.48	1871	245	T3	T3	T3
	350	350	300		6.286	49.48	2058	223	T3	T3	T3
					8.027	44.90	2386	174	T3	T3	T3
					8.800	49.48	2882	159	T3	T3	T3
					9.841	38.80	2527	142	T3	T3	T3
					11.000	44.00	3203	127	T3	T3	T3
					12.362	41.49	3395	113	T3	T3	T3
					14.048	37.34	3472	100	T3	T3	T3
					15.156	36.20	3631	92	T3	T3	T3
					17.222	32.56	3711	81	T3	T3	T3
					20.044	30.04	3985	70	T3	T3	T3
					22.778	27.02	4073	62	T3	T3	T3
					24.567	26.18	4257	57	T3	T3	T3
					27.917	23.56	4354	50	T3	T3	T3
					32.267	21.02	4489	43	T4	T3	T4
					36.667	19.64	4767	38	T4	T3	T4
				39.160	17.65	4575	36	T4	T3	T4	
				44.500	17.23	5076	32	T4	T3	T4	
GST14-2N □□□ □K	1K	2K			4.225	57.72	1614	331	T3	T3	T3
	200	225			4.643	57.72	1774	302	T3	T3	T3
	400	450			5.200	57.72	1987	269	T3	T3	T3
					5.714	57.72	2183	245	T3	T3	T3
					6.286	57.72	2401	223	T3	T3	T3
					7.150	57.72	2731	196	T3	T3	T3
					8.027	57.72	3067	174	T3	T3	T3
					8.800	52.17	3038	159	T3	T3	T3
					9.841	49.99	3256	142	T3	T3	T3
					11.000	44.00	3203	127	T3	T3	T3
					12.362	41.49	3395	113	T3	T3	T3
					14.048	37.34	3472	100	T3	T3	T3
					15.156	36.20	3631	92	T3	T3	T3
					17.222	32.56	3711	81	T3	T3	T3
					20.044	30.04	3985	70	T3	T3	T3
					22.778	27.02	4073	62	T3	T3	T3

For dimensions, see page 3-88 onwards.

# Helical gearbox selection tables

Gearboxes with mounting flange for Atex category 2GD, 3GD (zone 1, 21, 2, 22)



$M_2 \text{ perm} \leq 5076 \text{ Nm}$				GST14-2N □□□								
Gearbox with	Mounting flange size			i	$P_1 \text{ perm}$	$M_2 \text{ perm}$	$n_2$	Temperature class				
	Motor frame size	Flange diameter						T3 (G) $\cong$ 190 °C (D) T4 (G) $\cong$ 125 °C (D)				
					[kW]	[Nm]	[rpm]	Mounting position				
								A, B, E, F	C	D		
<b><math>n_1 = 700 \text{ rpm}</math></b>												
GST14-2N □□□ □G	1G	2G	2G	3G	20.044	8.87	2354	35	T4	T4	T4	
	132	100	112	132	22.778	8.87	2675	31	T4	T4	T4	
	300	250	250	250	24.567	7.62	2477	29	T4	T4	T4	
					27.917	7.62	2815	25	T4	T4	T4	
					32.267	5.97	2552	22	T4	T4	T4	
					36.667	5.97	2900	19	T4	T4	T4	
					39.160	4.99	2587	18	T4	T4	T4	
					44.500	4.99	2940	16	T4	T4	T4	
					49.500	4.01	2625	14	T4	T4	T4	
					56.250	4.01	2983	12	T4	T4	T4	
	GST14-2N □□□ □H	1H	2H	3H		5.200	28.07	1932	135	T3	T3	T3
		160	180	132		5.714	28.07	2123	123	T3	T3	T3
		350	350	300		6.286	26.44	2200	111	T4	T3	T4
					8.027	22.45	2386	87	T4	T3	T4	
					8.800	26.08	3038	80	T3	T3	T3	
					9.841	19.40	2527	71	T4	T3	T4	
					11.000	22.00	3203	64	T4	T3	T4	
					12.362	20.75	3395	57	T4	T3	T4	
					14.048	18.67	3472	50	T4	T3	T4	
					15.156	18.10	3631	46	T4	T3	T4	
					17.222	16.28	3711	41	T4	T3	T4	
					20.044	15.02	3985	35	T4	T3	T4	
					22.778	13.51	4073	31	T4	T3	T4	
					24.567	13.09	4257	29	T4	T3	T4	
					27.917	11.78	4354	25	T4	T3	T4	
GST14-2N □□□ □K		1K	2K			4.225	38.48	2152	166	T3	T3	T3
		200	225			4.643	38.48	2365	151	T3	T3	T3
	400	450			5.200	35.96	2475	135	T3	T3	T3	
					5.714	34.92	2641	123	T3	T3	T3	
					6.286	33.20	2762	111	T4	T3	T4	
					7.150	29.98	2837	98	T3	T3	T3	
					8.027	28.94	3075	87	T4	T3	T4	
					8.800	26.08	3038	80	T3	T3	T3	
					9.841	25.00	3256	71	T4	T3	T4	
					11.000	22.00	3203	64	T4	T3	T4	
					12.362	20.75	3395	57	T4	T3	T4	
					14.048	18.67	3472	50	T4	T3	T4	
					15.156	18.10	3631	46	T4	T3	T4	
					17.222	16.28	3711	41	T4	T3	T4	
					20.044	15.02	3985	35	T4	T3	T4	
				22.778	13.51	4073	31	T4	T3	T4		

For dimensions, see page 3-88 onwards.

# Helical gearbox selection tables

Gearboxes with mounting flange for Atex category 2GD, 3GD (zone 1, 21, 2, 22)

$M_2 \text{ perm} \leq 5920 \text{ Nm}$				GST14-3N □□□						
Gearbox with	Mounting flange size			i	$P_{1 \text{ perm}}$	$M_2 \text{ perm}$	$n_2$	Temperature class		
	Motor frame size	Flange diameter						T3 (G) $\cong$ 190 °C (D) T4 (G) $\cong$ 125 °C (D)		
								Mounting position		
					[kW]	[Nm]	[rpm]	A, B, E, F	C	D
<b><math>n_1 = 1400 \text{ rpm}</math></b>										
GST14-3N □□□ □D	1D	2D		204.722	2.31	3081	6.8	T4	T4	T4
	90	80		236.622	2.31	3562	5.9	T4	T4	T4
	160	160		248.458	1.93	3132	5.6	T4	T4	T4
				268.889	2.31	4047	5.2	T4	T4	T4
				326.333	1.93	4114	4.3	T4	T4	T4
				363.000	1.55	3669	3.9	T4	T4	T4
				412.500	1.55	4169	3.4	T4	T4	T4
GST14-3N □□□ □E	1E	1E	2E 3E 4E	42.580	6.60	1831	33	T4	T3	T4
	100	112	90 80 90	48.386	6.60	2081	29	T4	T3	T4
	160	160	160 160 200	93.541	5.72	3487	15	T4	T4	T4
				106.296	5.72	3962	13	T4	T4	T4
				130.278	5.72	4856	11	T4	T4	T4
				139.211	4.91	4453	10	T4	T4	T4
				158.194	4.91	5060	8.9	T4	T4	T4
				171.111	5.20	5804	8.2	T4	T4	T4
				204.722	3.94	5258	6.8	T4	T4	T4
				236.622	3.75	5779	5.9	T4	T4	T4
				248.458	3.29	5330	5.6	T4	T4	T4
				268.889	3.38	5920	5.2	T4	T4	T4
				326.333	2.78	5920	4.3	T4	T4	T4
				363.000	2.44	5779	3.9	T4	T4	T4
				412.500	2.20	5920	3.4	T4	T4	T4
GST14-3N □□□ □F	1F	1F	2F 3F	40.185	6.60	1728	35	T3	T3	T3
	100	112	90 90	42.580	6.60	1831	33	T4	T3	T4
	160	160	160 200	48.386	6.60	2081	29	T4	T3	T4
				53.148	6.60	2286	26	T3	T3	T3
				59.321	6.60	2551	24	T4	T4	T4
				69.042	6.60	2969	20	T4	T4	T4
				78.457	6.60	3374	18	T4	T4	T4
				93.541	6.11	3725	15	T4	T4	T4
				96.157	6.60	4135	15	T4	T4	T4
				106.296	6.11	4233	13	T4	T4	T4
				130.278	6.11	5188	11	T4	T4	T4
				139.211	5.24	4753	10	T4	T4	T4
				158.194	5.24	5401	8.9	T4	T4	T4
				171.111	5.20	5804	8.2	T4	T4	T4
				204.722	4.20	5610	6.8	T4	T4	T4
				236.622	3.75	5779	5.9	T4	T4	T4
				248.458	3.51	5682	5.6	T4	T4	T4
			268.889	3.38	5920	5.2	T4	T4	T4	
			326.333	2.78	5920	4.3	T4	T4	T4	
GST14-3N □□□ □G	1G	2G	2G 3G	40.185	14.12	3699	35	T3	T3	T3
	132	100	112 132	42.580	12.69	3522	33	T4	T3	T4
	300	250	250 250	48.386	12.69	4002	29	T4	T3	T4
				53.148	11.40	3949	26	T3	T3	T3
				59.321	11.26	4353	24	T4	T3	T4
				69.042	9.03	4064	20	T4	T3	T4
				78.457	9.03	4618	18	T4	T3	T4
				93.541	7.81	4762	15	T4	T4	T4
				96.157	8.02	5027	15	T4	T3	T4
				106.296	7.91	5481	13	T4	T4	T4
				130.278	6.70	5692	11	T4	T4	T4
				139.211	6.08	5515	10	T4	T4	T4
				158.194	5.74	5920	8.9	T4	T4	T4
			171.111	5.20	5804	8.2	T4	T4	T4	

For dimensions, see page 3-88 onwards.

# Helical gearbox selection tables

Gearboxes with mounting flange for Atex category 2GD, 3GD (zone 1, 21, 2, 22)



$M_2 \text{ perm} \leq 5920 \text{ Nm}$				GST14-3N □□□						
Gearbox with	Mounting flange size			i	$P_{1 \text{ perm}}$	$M_2 \text{ perm}$	$n_2$	Temperature class		
	Motor frame size	Flange diameter						T3 (G) $\cong$ 190 °C (D) T4 (G) $\cong$ 125 °C (D)		
								Mounting position		
					[kW]	[Nm]	[rpm]	A, B, E, F	C	D
<b><math>n_1 = 1400 \text{ rpm}</math></b>										
GST14-3N □□□	□H			40.185	14.12	3699	35	T3	T3	T3
	<b>1H</b>	2H	3H	42.580	12.69	3522	33	T3	T3	T3
	<b>160</b>	180	132	48.386	12.69	4002	29	T3	T3	T3
	<b>350</b>	350	300	53.148	11.40	3949	26	T3	T3	T3
				59.321	11.26	4353	24	T4	T3	T4
				69.042	9.03	4064	20	T4	T3	T4
				78.457	9.03	4618	18	T4	T3	T4
				96.157	8.02	5027	15	T4	T3	T4
<b><math>n_1 = 700 \text{ rpm}</math></b>										
GST14-3N □□□	□D			204.722	1.16	3089	3.4	T4	T4	T4
	<b>1D</b>	2D		236.622	1.16	3570	3.0	T4	T4	T4
	<b>90</b>	80		248.458	0.97	3132	2.8	T4	T4	T4
	<b>160</b>	160		268.889	1.16	4057	2.6	T4	T4	T4
				326.333	0.97	4114	2.2	T4	T4	T4
				363.000	0.78	3669	1.9	T4	T4	T4
				412.500	0.78	4169	1.7	T4	T4	T4
	GST14-3N □□□	□E			42.580	4.23	2347	16	T4	T4
<b>1E</b>		<b>1E</b>	2E	48.386	4.23	2667	15	T4	T4	T4
<b>100</b>		<b>112</b>	90	93.541	2.86	3487	7.5	T4	T4	T4
<b>160</b>		<b>160</b>	160	106.296	2.86	3962	6.6	T4	T4	T4
				130.278	2.86	4856	5.4	T4	T4	T4
				139.211	2.45	4453	5.0	T4	T4	T4
				158.194	2.45	5060	4.4	T4	T4	T4
				171.111	2.60	5804	4.1	T4	T4	T4
				204.722	1.97	5258	3.4	T4	T4	T4
				236.622	1.87	5779	3.0	T4	T4	T4
				248.458	1.65	5330	2.8	T4	T4	T4
				268.889	1.69	5920	2.6	T4	T4	T4
				326.333	1.39	5920	2.2	T4	T4	T4
				363.000	1.22	5779	1.9	T4	T4	T4
				412.500	1.10	5920	1.7	T4	T4	T4
GST14-3N □□□		□F			40.185	4.40	2304	17	T4	T4
	<b>1F</b>	<b>1F</b>	2F	42.580	4.40	2442	16	T4	T4	T4
	<b>100</b>	<b>112</b>	90	48.386	4.40	2774	15	T4	T4	T4
	<b>160</b>	<b>160</b>	160	53.148	4.40	3048	13	T4	T4	T4
				59.321	3.90	3014	12	T4	T4	T4
				69.042	3.90	3508	10	T4	T4	T4
				78.457	3.90	3986	8.9	T4	T4	T4
				93.541	3.05	3725	7.5	T4	T4	T4
				96.157	3.90	4886	7.3	T4	T4	T4
				106.296	3.05	4233	6.6	T4	T4	T4
				130.278	3.05	5188	5.4	T4	T4	T4
				139.211	2.62	4753	5.0	T4	T4	T4
				158.194	2.62	5401	4.4	T4	T4	T4
				171.111	2.60	5804	4.1	T4	T4	T4
				204.722	2.10	5610	3.4	T4	T4	T4
				236.622	1.87	5779	3.0	T4	T4	T4
			248.458	1.75	5682	2.8	T4	T4	T4	
			268.889	1.69	5920	2.6	T4	T4	T4	
			326.333	1.39	5920	2.2	T4	T4	T4	
GST14-3N □□□	□G			40.185	7.06	3699	17	T4	T4	T4
	<b>1G</b>	2G	2G	42.580	6.34	3522	16	T4	T4	T4
	<b>132</b>	100	112	48.386	6.34	4002	15	T4	T4	T4
	<b>300</b>	250	250	53.148	5.70	3949	13	T4	T4	T4
				59.321	5.63	4353	12	T4	T4	T4
				69.042	4.51	4064	10	T4	T4	T4
				78.457	4.51	4618	8.9	T4	T4	T4

For dimensions, see page 3-88 onwards.

# Helical gearbox selection tables

Gearboxes with mounting flange for Atex category 2GD, 3GD (zone 1, 21, 2, 22)

$M_2 \text{ perm} \leq 5920 \text{ Nm}$				GST14-3N □□□							
Gearbox with	Mounting flange size			i	$P_{1 \text{ perm}}$	$M_2 \text{ perm}$	$n_2$	Temperature class			
	Motor frame size	Flange diameter						T3 (G) $\cong$ 190 °C (D) T4 (G) $\cong$ 125 °C (D)			
								Mounting position			
					[kW]	[Nm]	[rpm]	A, B, E, F	C	D	
<b><math>n_1 = 700 \text{ rpm}</math></b>											
GST14-3N □□□ □G	1G	2G	2G	3G	93.541	3.90	4762	7.5	T4	T4	T4
	132	100	112	132	96.157	4.01	5027	7.3	T4	T4	T4
	300	250	250	250	106.296	3.96	5481	6.6	T4	T4	T4
					130.278	3.35	5692	5.4	T4	T4	T4
					139.211	3.04	5515	5.0	T4	T4	T4
					158.194	2.87	5920	4.4	T4	T4	T4
					171.111	2.60	5804	4.1	T4	T4	T4
GST14-3N □□□ □H	1H	2H	3H		40.185	7.06	3699	17	T4	T3	T4
	160	180	132		42.580	6.34	3522	16	T4	T3	T4
	350	350	300		48.386	6.34	4002	15	T4	T3	T4
					53.148	5.70	3949	13	T4	T3	T4
					59.321	5.63	4353	12	T4	T3	T4
					69.042	4.51	4064	10	T4	T3	T4
					78.457	4.51	4618	8.9	T4	T3	T4
					96.157	4.01	5027	7.3	T4	T3	T4

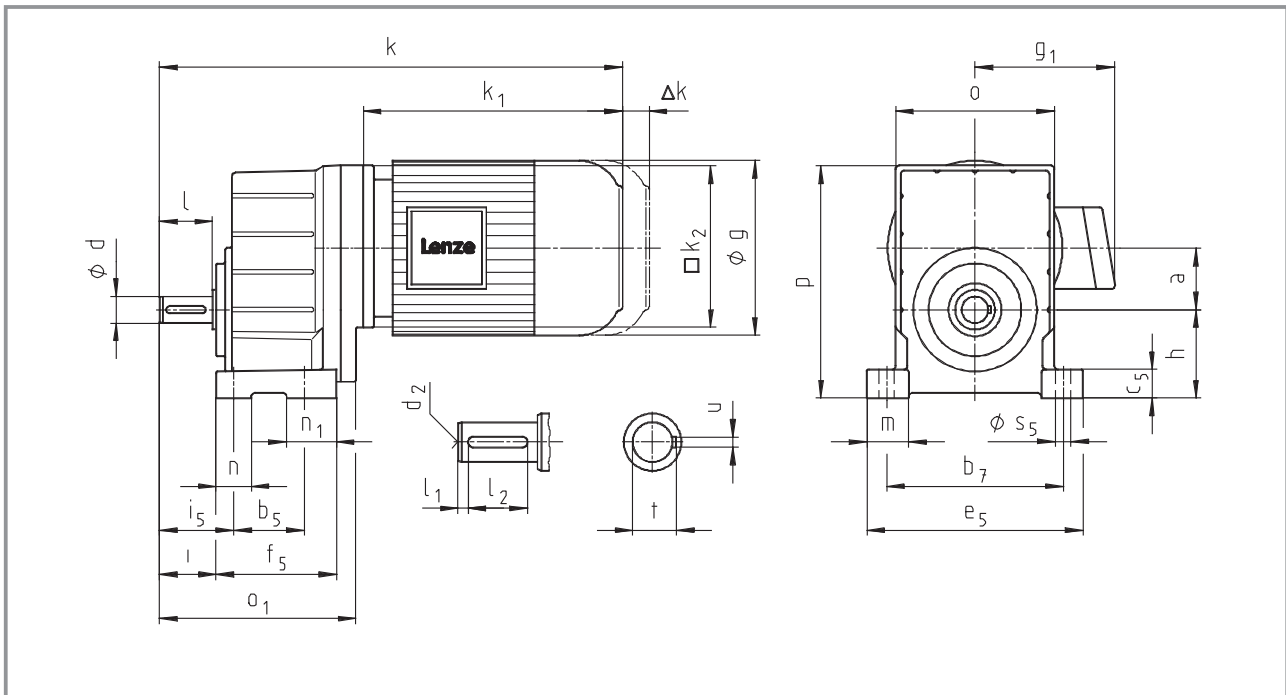
For dimensions, see page 3-88 onwards.





# Helical gearbox dimensions

Geared motors for Atex category 2G, 2D, 3G, 3D (zone 1, 21, 2, 22)



3

Geared motor						Motor frame size										
<b>GST□□-1M VBR</b>						063-12	063-32	071-12	071-32	080-12	080-32	090-12	100-12	100-32	112-22	
Motor																
g						129		142		156		176		194		233
g <sub>1</sub> Without options						125		127		134		128		139		164
k <sub>1</sub>						169	181	181	187	200	220	242	280	296	316	
k <sub>2</sub>						120		145		145		180		180	222	
Gearbox size	Gearbox					Overall length										
	o*	o <sub>1</sub>	p*	h*	a	k										
04	100	134	138	50	36	313	325	325	331	349	369	401				
05	115	165	168	63	45	334	346	346	352	370	390	422	460	476		
06	145	191	211	80	56	357	369	369	375	393	413	445	483	499	525	
07	180	223	264	100	70					422	442	474	512	528	554	
09	222	271	329	125	89							517	555	571	597	

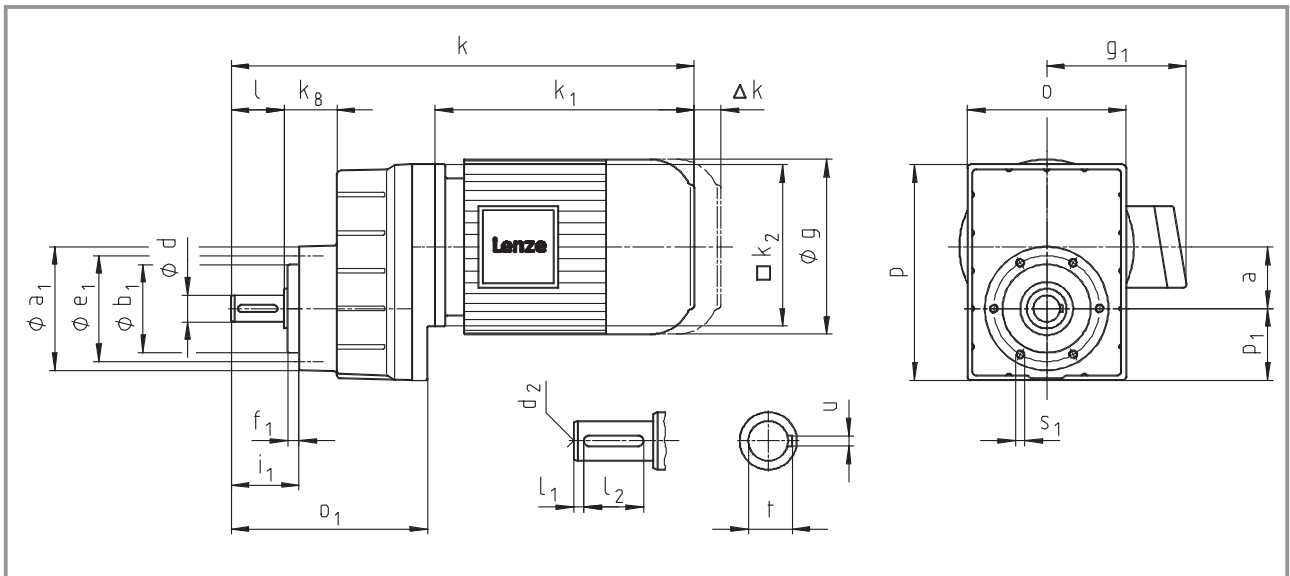
Gearbox size	Solid shaft								Foot									
	d k6	l	l <sub>1</sub>	l <sub>2</sub>	d <sub>2</sub>	u	t	b <sub>5</sub>	b <sub>7</sub>	c <sub>5</sub>	e <sub>5</sub>	f <sub>5</sub>	i	i <sub>5</sub>	m	n	n <sub>1</sub>	s <sub>5</sub>
04	16	32	6	20	M5	5	18	55	105	17	128	80	35	45	24	20	25	9
05	20	40	6	28	M6	6	22.5	70	125	22	154	99	43	56	32	26	29	11
06	25	50	4	40	M10	8	28	72	160	27	194	115	53	68	37	30	43	13.5
07	30	60	7.5	45	M10	8	33	80	200	35	245	137	64	84	48	40	57	18
09	40	80	8.5	63	M16	12	43	105	245	43	296	161	84	107	51	45	56	18

Dimensions in [mm]

\* Observe dimension k<sub>2</sub>; with gearbox size 04 and motor frame size 090, dimension k<sub>2</sub>/2 > h+a.

# Helical gearbox dimensions

Geared motors for Atex category 2G, 2D, 3G, 3D (zone 1, 21, 2, 22)



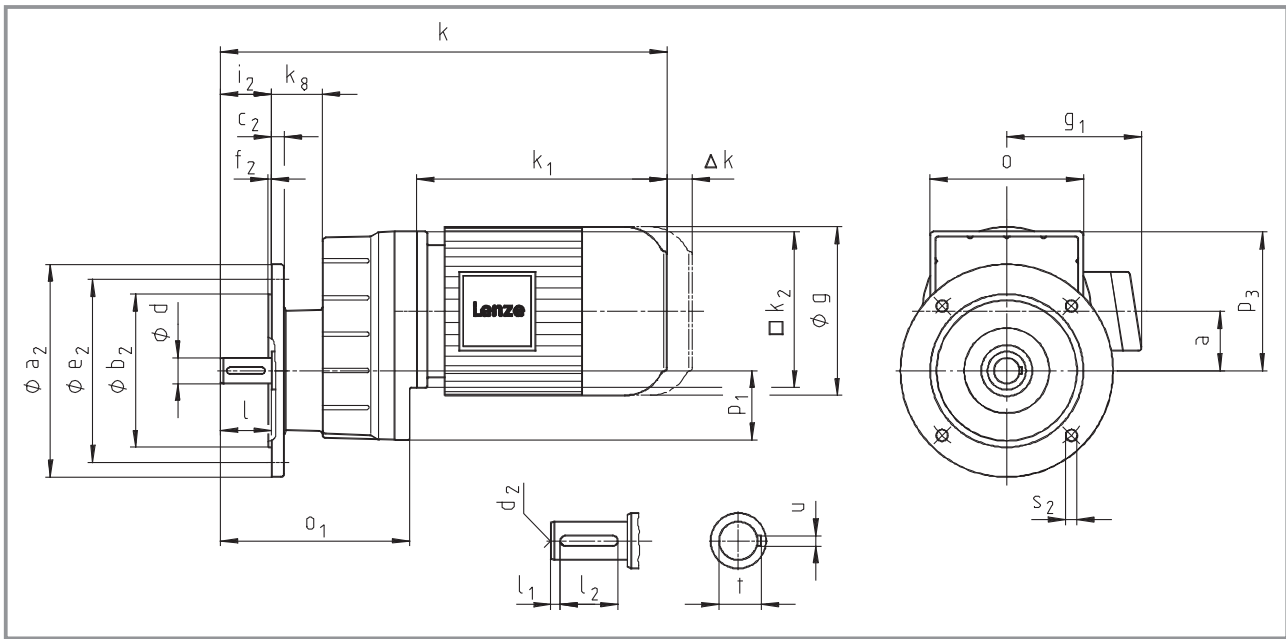
Geared motor							Motor frame size										
<b>GST□□-1M VCR</b>							063-12	063-32	071-12	071-32	080-12	080-32	090-12 090-32	100-12	100-32	112-22	
Motor		<b>g</b>					129		142		156		176		194		233
		<b>g<sub>1</sub></b> Without options					125		127		134		128		139		164
		<b>k<sub>1</sub></b>					169	181	181	187	200	220	242	280	296	316	
		<b>k<sub>2</sub></b>					120		145		145		180		180		222
Gearbox size	Gearbox						Overall length										
	o*	o <sub>1</sub>	p*	p <sub>1</sub>	a	k <sub>8</sub>	k										
<b>04</b>	100	134	129	41	36	35	313	325	325	331	349	369	401				
<b>05</b>	115	165	156	51	45	43	334	346	346	352	370	390	422	460	476		
<b>06</b>	145	191	194	63	56	48	357	369	369	375	393	413	445	483	499	525	
<b>07</b>	180	223	245	82	70	60					422	442	474	512	528	554	
<b>09</b>	222	271	304	101	89	74							517	555	571	597	

Gearbox size	Solid shaft								Threaded pitch circle					
	d k6	l	l <sub>1</sub>	l <sub>2</sub>	d <sub>2</sub>	u	t	a <sub>1</sub>	b <sub>1</sub> h7	e <sub>1</sub>	f <sub>1</sub>	i <sub>1</sub>	s <sub>1</sub> 6 x 60°	
<b>04</b>	16	32	6	20	M5	5	18	72	48	61	8	43	M5x10	
<b>05</b>	20	40	6	28	M6	6	22.5	88	58	74	9	52	M6x12	
<b>06</b>	25	50	4	40	M10	8	28	109	70	90	11	64	M8x14	
<b>07</b>	30	60	7.5	45	M10	8	33	140	100	120	13	77	M10x18	
<b>09</b>	40	80	8.5	63	M16	12	43	174	120	145	15	100	M12x20	

Dimensions in [mm]  
\* Observe dimension k<sub>2</sub>.

# Helical gearbox dimensions

Geared motors for Atex category 2G, 2D, 3G, 3D (zone 1, 21, 2, 22)



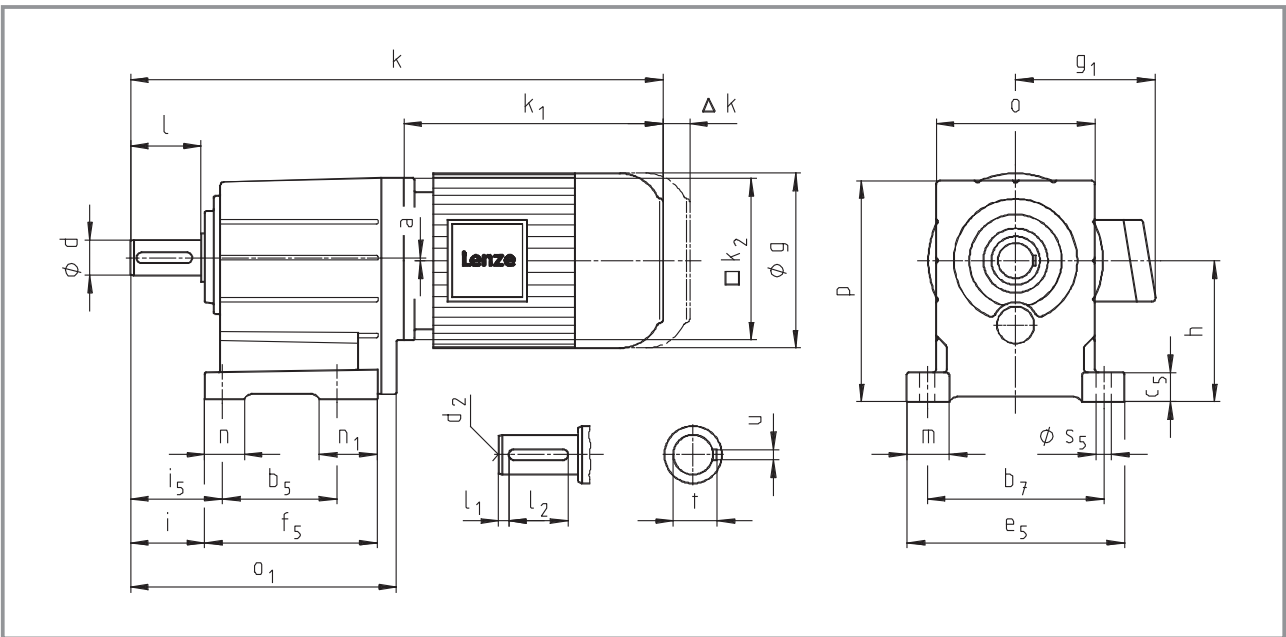
Geared motor							Motor frame size									
<b>GST□□-1M VCK</b>							063-12	063-32	071-12	071-32	080-12	080-32	090-12	100-12	100-32	112-22
Motor																
g							129									
g <sub>1</sub> Without options							125									
k <sub>1</sub>							169									
k <sub>2</sub>							120									
Gearbox size	Gearbox						Overall length									
	o*	o <sub>1</sub>	p <sub>1</sub>	p <sub>3</sub> *	a	k <sub>1</sub>	k									
04	100	134	41	88	36	35	313	325	325	331	349	369	401			
05	115	165	51	105	45	43	334	346	346	352	370	390	422	460	476	
06	145	191	63	131	56	48	357	369	369	375	393	413	445	483	499	525
07	180	223	82	164	70	60					422	442	474	512	528	554
09	222	271	101	204	89	74							517	555	571	597

Gearbox size	Solid shaft							Output flange								
	d k6	l	l <sub>1</sub>	l <sub>2</sub>	d <sub>2</sub>	u	t	a <sub>2</sub>	b <sub>2</sub> j7	c <sub>2</sub>	e <sub>2</sub>	f <sub>2</sub>	i <sub>2</sub>	s <sub>2</sub> 4 x 90°		
04	16	32	6	20	M5	5	18	120	80	10	100	3	32	7		
								140	95					115	3	9
								160	110					130	3.5	9
05	20	40	6	28	M6	6	22.5	120	100	3	115	3	40	9		
								80	95					115	3	9
								140	110					130	3.5	9
								160	130					165	3.5	11
06	25	50	4	40	M10	8	28	160	110	12	130	3.5	50	9		
								200	130					165	3.5	11
07	30	60	7.5	45	M10	8	33	200	130	14	165	3.5	60	11		
								250	180					215	4	13.5
09	40	80	8.5	63	M16	12	43	250	180	16	215	4	80	13.5		
								300	230					265		

Dimensions in [mm]  
\* Observe dimension k<sub>2</sub>.

# Helical gearbox dimensions

Geared motors for Atex category 2G, 2D, 3G, 3D (zone 1, 21, 2, 22)



Geared motor						Motor frame size									
<b>GST□□-2M VBR</b>						063-12	063-32	071-12	071-32	080-12	080-32	090-12 090-32	100-12	100-32	112-22
Motor		<b>g</b>				129		142		156		176	194		233
		<b>g<sub>1</sub></b> Without options				125		127		134		128	139		164
		<b>k<sub>1</sub></b>				169	181	181	187	200	220	242	280	296	316
		<b>k<sub>2</sub></b>				120		145		145		180	180		222
Gearbox size	o <sup>1)</sup>	Gearbox				Overall length									
		o <sub>1</sub>	p <sup>1)</sup>	h <sup>1)</sup>	a	k									
04	100	174	132	80	0	353	365	365	371	389	409	441			
05	115	214	159	100	1	383	395	395	401	419	439	471	509	525	
06	145	243	198	125	2	409	421	421	427	445	465	497	535	551	577
07	180	302	251	160	3					501	521	553	591	607	633
09	222	370	311	200	4							616	654	670	696
11	270	433	385	250	4								711	727	753
14	328	533	479	315	6										843

Gearbox size	Solid shaft								Foot									
	d	l	l <sub>1</sub>	l <sub>2</sub>	d <sub>2</sub>	u	t	b <sub>5</sub>	b <sub>7</sub>	c <sub>5</sub>	e <sub>5</sub>	f <sub>5</sub>	i	i <sub>5</sub>	m	n	n <sub>1</sub>	s <sub>5</sub>
04	20	40	5	28	M6	6	22.5	76	105	18	129	112	43	53	25	20	36	9
05	25	50	4	40	M10	8	28	90	125	23	155	139	53	66	33	26	49	11
06	30	60	6	45	M10	8	33	106	160	28	196	157	64	79	38	35	52	13.5
07	40	80	7	63	M16	12	43	130	200	34	247	196	84	104	49	45	66	18
09	50	100	8	80	M16	14	53.5	165	245	44	298	239	105	127.5	54	48	74	18
11	60	120	8	100	M20	18	64	200	300	54	368	280	125	155	69	65	80	22
14	80	160	15	125	M20	22	85	250	380	65	460	340	165	200	85	85	91	26

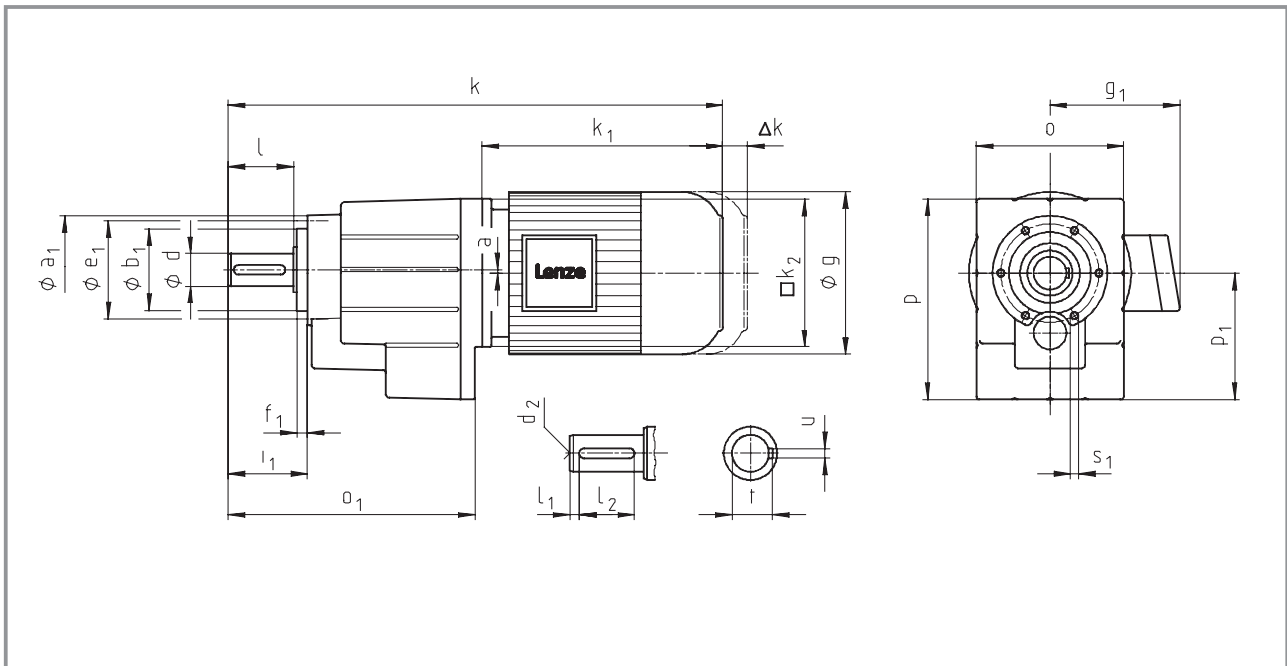
Dimensions in [mm]

d ≤ 50 mm: k6  
d > 50 mm: m6

<sup>1)</sup> Observe dimension k<sub>2</sub>; with gearbox size 04 and motor frame size 090, dimension k<sub>2</sub>/2 > h-a.

# Helical gearbox dimensions

Geared motors for Atex category 2G, 2D, 3G, 3D (zone 1, 21, 2, 22)



3

Geared motor						Motor frame size																					
<b>GST□□-2M VCR</b>						063-12	063-32	071-12	071-32	080-12	080-32	090-12 090-32	100-12	100-32	112-22												
Motor						g		129		142		156		176		194		233									
						g <sub>1</sub> Without options		125		127		134		128		139		164									
						k <sub>1</sub>		169		181		181		187		200		220		242		280		296		316	
						k <sub>2</sub>		120		145		145		180		180		222									
Gearbox size	Gearbox					Overall length																					
	o <sup>1)</sup>	o <sub>1</sub>	p <sup>1)</sup>	p <sub>1</sub>	a	k																					
04	100	174	129	77	0	353	365	365	371	389	409	441															
05	115	214	156	98	1	383	395	395	401	419	439	471	509	525													
06	145	243	194	121	2	409	421	421	427	445	465	497	535	551	577												
07	180	302	245	155	3					501	521	553	591	607	633												
09	222	370	304	194	4							616	654	670	696												
11	270	433	378	243	4								711	727	753												
14	328	533	470	306	6										843												

Gearbox size	Solid shaft							Threaded pitch circle					
	d	l	l <sub>1</sub>	l <sub>2</sub>	d <sub>2</sub>	u	t	a <sub>1</sub>	b <sub>1</sub> h7	e <sub>1</sub>	f <sub>1</sub>	i <sub>1</sub>	s <sub>1</sub> 6 x 60°
04	20	40	5	28	M6	6	22.5	72	48	61	8	51	M5x10
05	25	50	4	40	M10	8	28	88	58	74	9	62	M6x12
06	30	60	6	45	M10	8	33	109	70	90	10	74	M8x14
07	40	80	7	63	M16	12	43	140	100	120	13	97	M10x18
09	50	100	8	80	M16	14	53.5	174	120	145	15	120	M12x20
11	60	120	8	100	M20	18	64	215	150	185	18	143	M16x26
14	80	160	15	125	M20	22	85	265	195	230	22	187	M20x34

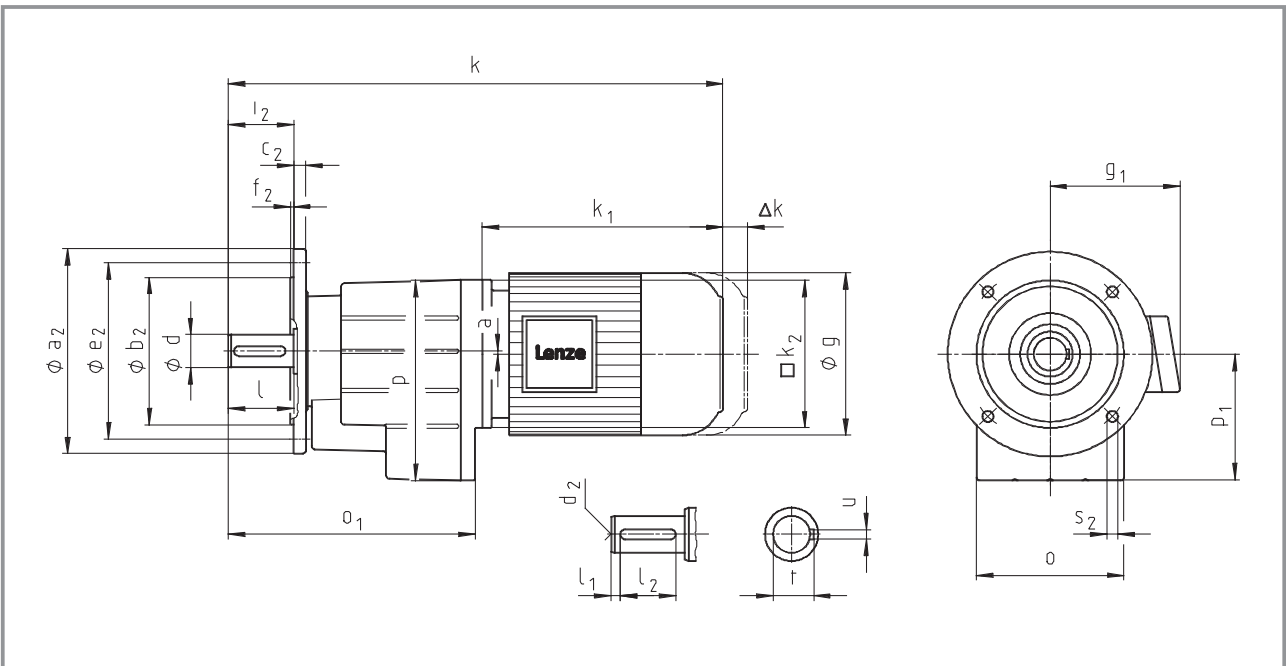
Dimensions in [mm]

d ≤ 50 mm: k6  
d > 50 mm: m6

<sup>1)</sup> Observe dimension k<sub>2</sub>.

# Helical gearbox dimensions

Geared motors for Atex category 2G, 2D, 3G, 3D (zone 1, 21, 2, 22)



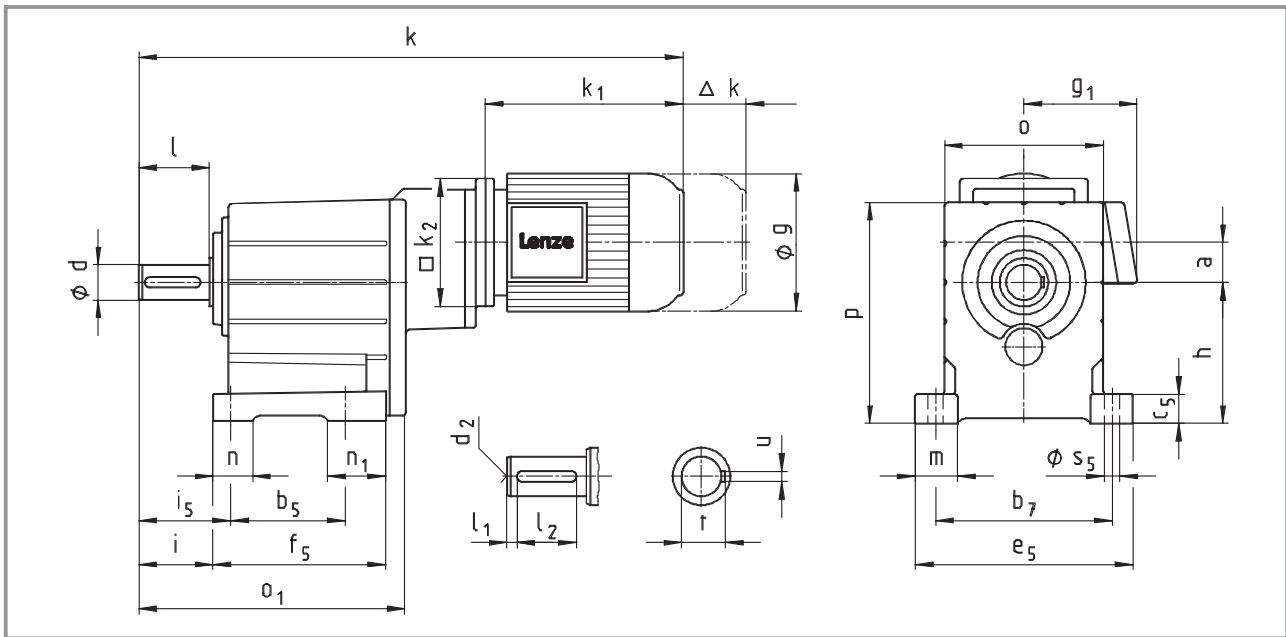
Geared motor						Motor frame size										
<b>GST□□-2M VCK</b>						063-12	063-32	071-12	071-32	080-12	080-32	090-12	100-12	100-32	112-22	
Motor																
g						129		142		156		176		194		233
g <sub>1</sub> Without options						125		127		134		128		139		164
k <sub>1</sub>						169	181	181	187	200	220	242	280	296	316	
k <sub>2</sub>						120		145		145		180		180		222
Gearbox size	Gearbox					Overall length										
	o <sup>1)</sup>	o <sub>1</sub>	p <sup>1)</sup>	p <sub>1</sub>	a	k										
04	100	174	129	77	0	353	365	365	371	389	409	441				
05	115	214	156	98	1	383	395	395	401	419	439	471	509	525		
06	145	243	194	121	2	409	421	421	427	445	465	497	535	551	577	
07	180	302	245	155	3					501	521	553	591	607	633	
09	222	370	304	194	4							616	654	670	696	
11	270	433	378	243	4								711	727	753	
14	328	533	470	306	6										843	

Gearbox size	Solid shaft							Output flange						
	d	l	l <sub>1</sub>	l <sub>2</sub>	d <sub>2</sub>	u	t	a <sub>2</sub>	b <sub>2</sub> j7	c <sub>2</sub>	e <sub>2</sub>	f <sub>2</sub>	i <sub>2</sub>	s <sub>2</sub> 4 x 90°
04	20	40	5	28	M6	6	22.5	120	80	10	100	3	40	7
								140	95		115	3		9
								160	110		130	3.5		9
05	25	50	4	40	M10	8	28	120	80	10	100	3	50	7
								140	95		110	3		9
								160	110		130	3.5		9
								200	130		165	3.5		11
06	30	60	6	45	M10	8	33	160	110	12	130	3.5	60	9
								200	130		165	3.5		11
07	40	80	7	63	M16	12	43	200	130	14	165	3.5	80	11
								250	180		215	4		14
09	50	100	8	80	M16	14	53.5	250	180	16	215	4	100	14
								300	230		265	4		14
11	60	120	8	100	M20	18	64	300	230	18	265	4	120	14
								350	250		300	5		18
14	80	160	15	125	M20	22	85	350	250	22	300	5	160	18
								400	300		350	5		18

Dimensions in [mm]      d ≤ 50 mm: k6      <sup>1)</sup> Observe dimension k<sub>2</sub>.  
 d > 50 mm: m6

# Helical gearbox dimensions

Geared motors for Atex category 2G, 2D, 3G, 3D (zone 1, 21, 2, 22)



Geared motor						Motor frame size												
<b>GST□□-3M VBR</b>						063-12	063-32	071-12	071-32	080-12	080-32	090-12 090-32	100-12	100-32	112-22			
Motor		<b>g</b>				129		142		156		176	194		233			
		<b>g<sub>1</sub></b> Without options				125		127		134		128	139		164			
		<b>k<sub>1</sub></b>				169	181	181	187	200	220	242	280	296	316			
		<b>k<sub>2</sub></b>				120		145		145		180	180		222			
Gearbox size	o*	o <sub>1</sub>	Gearbox			Overall length												
			p*	h	a	k												
05	115	208	159	100	35	459	471	471	477	495	515							
06	145	240	198	125	34	502	514	514	520	538	558	590						
07	180	302	251	160	42	569	581	581	587	605	625	657	695	711				
09	222	370	311	200	52	650	662	662	668	686	706	738	776	792	818			
11	270	433	385	250	66					762	782	814	852	868	894			
14	328	533	479	315	83							938	976	992	1018			

Gearbox size	Solid shaft								Foot									
	d	l	l <sub>1</sub>	l <sub>2</sub>	d <sub>2</sub>	u	t	b <sub>5</sub>	b <sub>7</sub>	c <sub>5</sub>	e <sub>5</sub>	f <sub>5</sub>	i	i <sub>5</sub>	m	n	n <sub>1</sub>	s <sub>5</sub>
05	25	50	4	40	M10	8	28	90	125	23	155	139	53	66	33	26	49	11
06	30	60	6	45	M10	8	33	106	160	28	196	157	64	79	38	35	52	13.5
07	40	80	7	63	M16	12	43	130	200	34	247	196	84	104	49	45	66	18
09	50	100	8	80	M16	14	53.5	165	245	44	298	239	105	127.5	54	48	74	18
11	60	120	8	100	M20	18	64	200	300	54	368	280	125	155	69	65	80	22
14	80	160	15	125	M20	22	85	250	380	65	460	340	165	200	85	85	91	26

Dimensions in [mm]

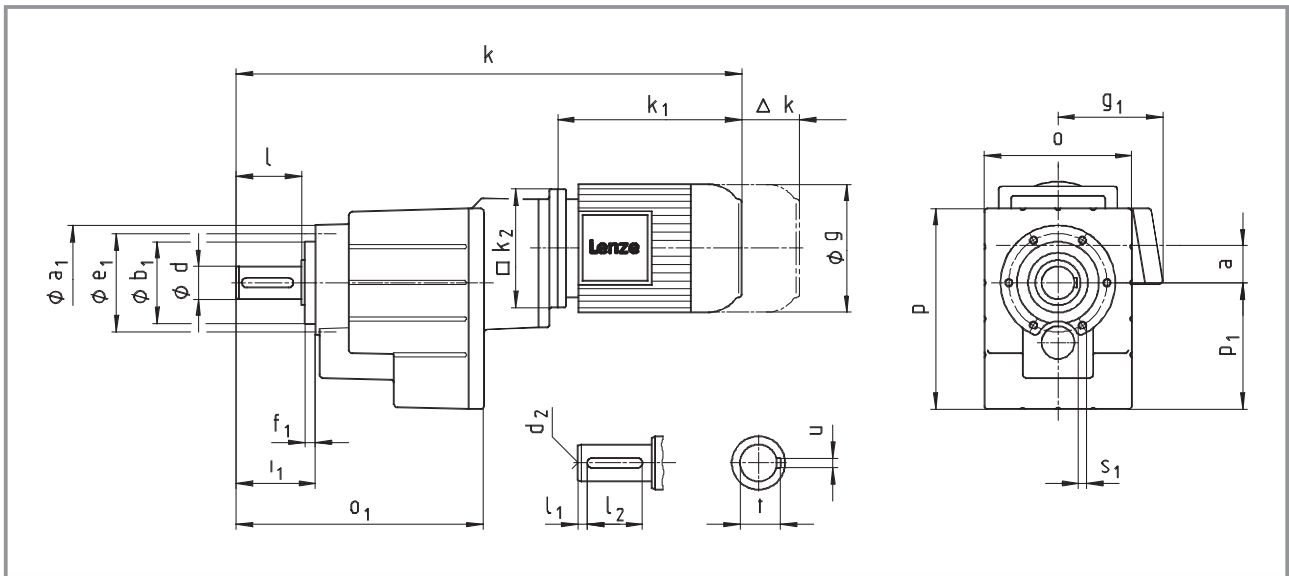
d ≤ 50 mm: k6  
d > 50 mm: m6

\* Observe dimension k<sub>2</sub>.



# Helical gearbox dimensions

Geared motors for Atex category 2G, 2D, 3G, 3D (zone 1, 21, 2, 22)



Geared motor						Motor frame size																					
<b>GST□□-3M VCR</b>						063-12	063-32	071-12	071-32	080-12	080-32	090-12 090-32	100-12	100-32	112-22												
Motor						<b>g</b>		129		142		156		176		194		233									
						<b>g<sub>1</sub></b> Without options		125		127		134		128		139		164									
						<b>k<sub>1</sub></b>		169		181		181		187		200		220		242		280		296		316	
						<b>k<sub>2</sub></b>		120		145		145		180		180		222									
Gearbox size	Gearbox					Overall length																					
	<b>o*</b>	<b>o<sub>1</sub></b>	<b>p*</b>	<b>p<sub>1</sub></b>	<b>a</b>	<b>k</b>																					
<b>05</b>	115	208	156	98	35	459	471	471	477	495	515																
<b>06</b>	145	240	194	121	34	502	514	514	520	538	558	590															
<b>07</b>	180	302	245	155	42	569	581	581	587	605	625	657	695	711													
<b>09</b>	222	370	304	194	52	650	662	662	668	686	706	738	776	792	818												
<b>11</b>	270	433	378	243	66					762	782	814	852	868	894												
<b>14</b>	328	533	470	306	83							938	976	992	1018												

Gearbox size	Solid shaft								Threaded pitch circle					
	<b>d</b>	<b>l</b>	<b>l<sub>1</sub></b>	<b>l<sub>2</sub></b>	<b>d<sub>2</sub></b>	<b>u</b>	<b>t</b>	<b>a<sub>1</sub></b>	<b>b<sub>1</sub></b> <b>h<sub>7</sub></b>	<b>e<sub>1</sub></b>	<b>f<sub>1</sub></b>	<b>i<sub>1</sub></b>	<b>s<sub>1</sub></b> 6 x 60°	
<b>05</b>	25	50	4	40	M10	8	28	88	58	74	9	62	M6x12	
<b>06</b>	30	60	6	45	M10	8	33	109	70	90	10	74	M8x14	
<b>07</b>	40	80	7	63	M16	12	43	140	100	120	13	97	M10x18	
<b>09</b>	50	100	8	80	M16	14	53.5	174	120	145	15	120	M12x20	
<b>11</b>	60	120	8	100	M20	18	64	215	150	185	18	143	M16x26	
<b>14</b>	80	160	15	125	M20	22	85	265	195	230	22	187	M20x34	

Dimensions in [mm]

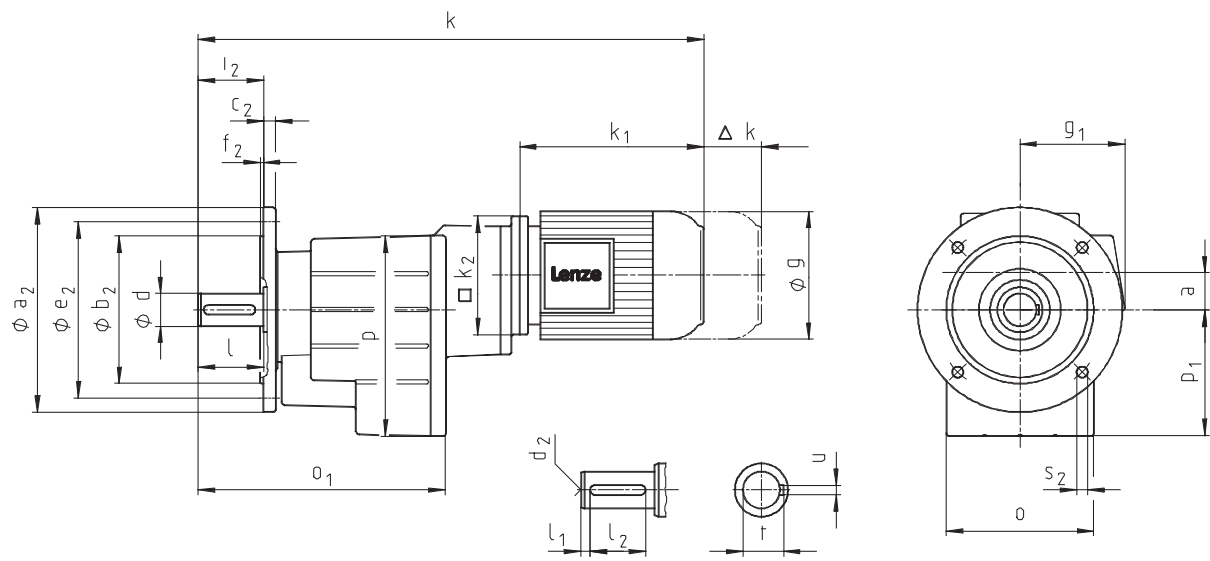
d ≤ 50 mm: k6  
d > 50 mm: m6

\* Observe dimension k<sub>2</sub>.

# Helical gearbox dimensions

Geared motors for Atex category 2G, 2D, 3G, 3D (zone 1, 21, 2, 22)

## GST□□-3M VCK



# Helical gearbox dimensions

Geared motors for Atex category 2G, 2D, 3G, 3D (zone 1, 21, 2, 22)



Geared motor						Motor frame size											
<b>GST□□-3M VCK</b>						063-12	063-32	071-12	071-32	080-12	080-32	090-12 090-32	100-12	100-32	112-22		
Motor		g				129		142		156		176		194		233	
		g <sub>1</sub> Without options				125		127		134		128		139		164	
		k <sub>1</sub>		k <sub>2</sub>		169	181	181	187	200	220	242	280	296	316		
						120		145		145		180		180		222	
Gearbox size	Gearbox					Overall length											
	o*	o <sub>1</sub>	p*	p <sub>1</sub>	a	k											
05	115	208	156	98	35	459	471	471	477	495	515						
06	145	240	194	121	34	502	514	514	520	538	558	590					
07	180	302	245	155	42	569	581	581	587	605	625	657	695	711			
09	222	370	304	194	52	650	662	662	668	686	706	738	776	792	818		
11	270	433	378	243	66					762	782	814	852	868	894		
14	328	533	470	306	83							938	976	992	1018		

Gearbox size	Solid shaft							Output flange						
	d	l	l <sub>1</sub>	l <sub>2</sub>	d <sub>2</sub>	u	t	a <sub>2</sub>	b <sub>2</sub> j7	c <sub>2</sub>	e <sub>2</sub>	f <sub>2</sub>	l <sub>2</sub>	s <sub>2</sub> 4 x 90°
05	25	50	4	40	M10	8	28	120	80	10	100	3	50	7
								140	95	10	115	3		9
								160	110	10	130	3.5		9
								200	130	12	165	3.5		11
06	30	60	6	45	M10	8	33	160	110	12	130	3.5	60	9
								200	130		165			11
07	40	80	7	63	M16	12	43	200	130	14	165	3.5	80	11
								250	180	15	215			14
09	50	100	8	80	M16	14	53.5	250	180	16	215	4	100	14
								300	230	18	265			14
11	60	120	8	100	M20	18	64	300	230	18	265	4	120	14
								350	250	20	300			18
14	80	160	15	125	M20	22	85	350	250	22	300	5	160	18
								400	300	24	350			18

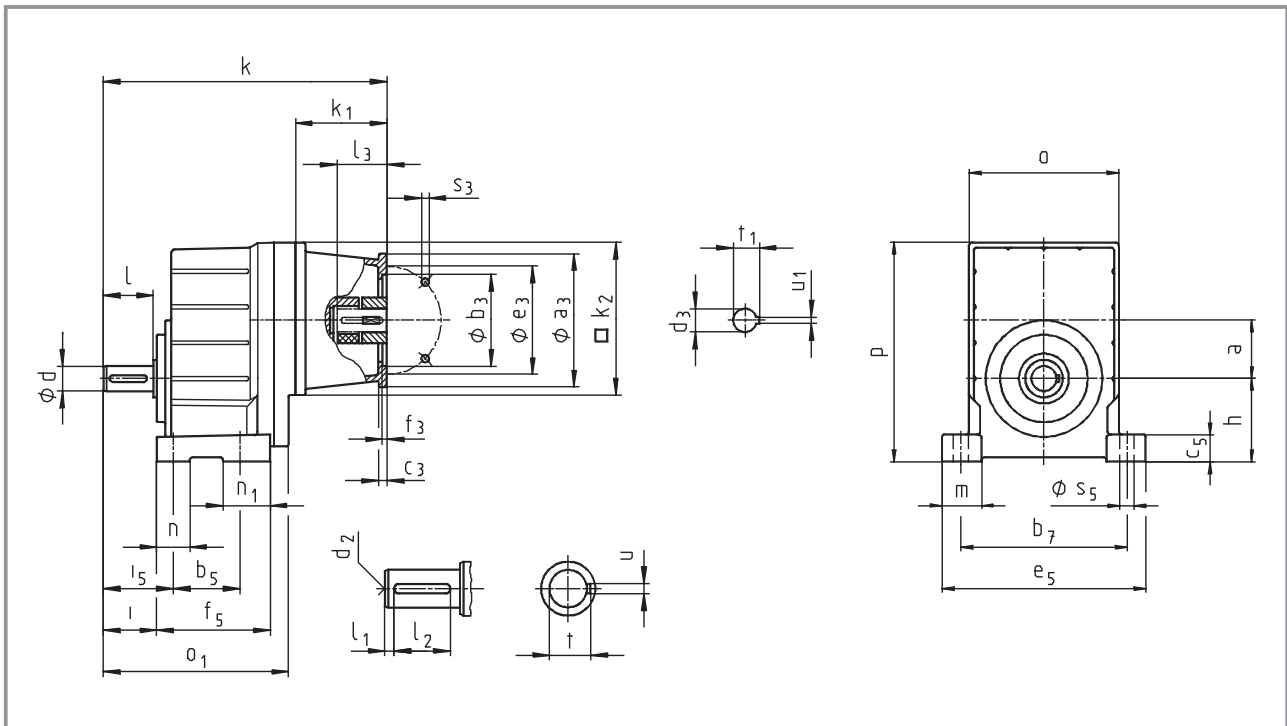
Dimensions in [mm]

d ≤ 50 mm: k6  
d > 50 mm: m6

\* Observe dimension k<sub>2</sub>.

# Helical gearbox dimensions

Gearboxes with mounting flange for Atex category 2GD, 3GD (zone 1, 21, 2, 22)



3

Gearbox <b>GST□□-1N VBR</b>		Drive size										
		1A	1B	2B	1C	2C	3C	4C	6C	7C	1D	2D
		Corresponds to IEC motor										
		63	71	63	80	71	71	71	63	80	90	80
Housing	k <sub>1</sub>	75	77	75	91						115	
	k <sub>2</sub>	120	145	120	145						180	
Flange	a <sub>3</sub>	90	105	90	160	160	105	120	160	120	160	
	b <sub>3</sub> H8	60	70	60	110	110	70	80	110	80	110	
	c <sub>3</sub>	7	8	7	10	10	8	8	10	8	10	
	e <sub>3</sub>	75	85	75	130	130	85	100	130	100	130	
	f <sub>3</sub>	3	3		4	4	3	3.5	4	3.5	4	
	s <sub>3</sub> 4 x	5.5	6.6	5.5	9	9	6.6	6.6	9	6.6	9	
Required motor shafts	d <sub>3</sub>	11	14	11	19	14	14	14	11	19	24	19
	l <sub>3</sub> min max.	23	30	23	25				23	25	50	40
		23	30	23	40				40	40	50	50
	U <sub>1</sub>	4	5	4	6	5	5	5	4	6	8	6
t <sub>1</sub>	12.5	16	12.5	21.5	16	16	16	12.5	21.5	27	21.5	
Gearbox size	Overall length k											
	04	219	226	219	240						274	
	05		247		261						295	
	06		270		284						318	
	07				313						347	
	09										390	

# Helical gearbox dimensions

Gearboxes with mounting flange for Atex category 2GD, 3GD (zone 1, 21, 2, 22)



Gearbox <b>GST00-1N VBR</b>		Drive size														
		1E	2E	3E	4E	1F	2F	3F	1G	2G	3G	1H	2H	3H	1K	
		Corresponds to IEC motor														
		100 112	90	80	90	100 112	90	90	132	100 112	132	160	180	132	200	
Housing	$k_1$	110			130	139		159	180	160	180	214	214	184	244	
	$k_2$	180			180	180		180	265			300			300	
Flange	$a_3$	160			188	160		188	300	250	250	350	350	300	400	
	$b_3$ H8	110			130	110		130	230	180	180	250	250	230	300	
	$c_3$	10			20	10		20	18	18	35	20	20	18	20	
	$e_3$	130			165	130		165	265	215	215	300	300	265	350	
	$f_3$	4			4	4		4	4.5			6	6	4.5	6	
	$s_3$ 4 x	9			M10	9		M10	13.5			17.5	17.5	13.5	17.5	
Required motor shafts	$d_3$	28	24	19	24	28	24	24	38	28	38	42	48	38	55	
	$l_3$	min			30	50		30	50	80	60	80	110	110	80	110
		max.			60	50		60	50	80	60	80	110	110	80	110
	$U_1$	8	8	6	8	8	8	8	10	8	10	12	14	10	16	
	$t_1$	31	27	21.5	27	31	27	27	41	31	41	45	51.5	41	59	
Gearbox size		Overall length $k$														
05		290			310											
06		313			333	342		362								
07		342			362	371		391	426	406	426	464		434		
09		385			405	414		434	469	449	469	507	507	477	537	

Gearbox size	$o^*$	$o_1$	Gearbox $p^*$	$h^*$	$a$
04	100	134	138	50	36
05	115	165	168	63	45
06	145	191	211	80	56
07	180	223	264	100	70
09	222	271	329	125	89

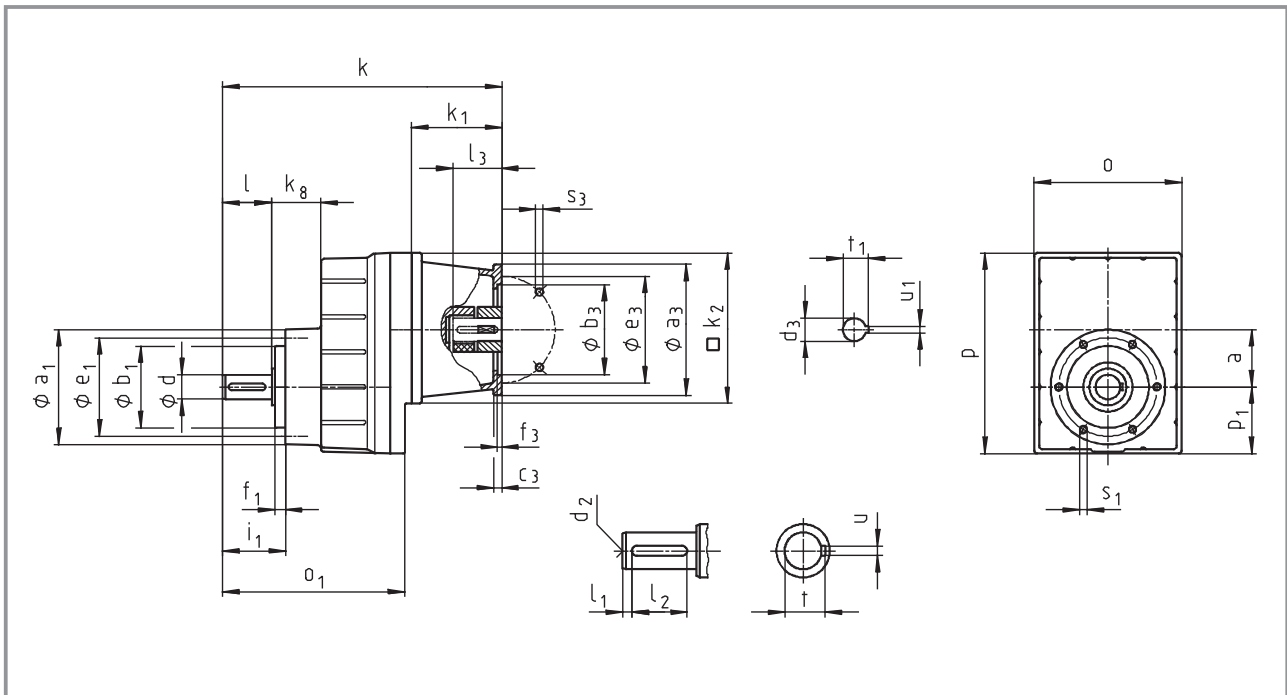
Gearbox size	Solid shaft								Foot									
	$d_{k6}$	$l$	$l_1$	$l_2$	$d_2$	$u$	$t$	$b_5$	$b_7$	$c_5$	$e_5$	$f_5$	$i$	$i_5$	$m$	$n$	$n_1$	$s_5$
04	16	32	6	20	M5	5	18	55	105	17	128	80	35	45	24	20	25	9
05	20	40	6	28	M6	6	22.5	70	125	22	154	99	43	56	32	26	29	11
06	25	50	4	40	M10	8	28	72	160	27	194	115	53	68	37	30	43	13.5
07	30	60	7.5	45	M10	8	33	80	200	35	245	137	64	84	48	40	57	18
09	40	80	8.5	63	M16	12	43	105	245	43	296	161	84	107	51	45	56	18

Dimensions in [mm]

\* Observe dimension  $k_2$ ; with gearbox size 04 and drive size 1D/2D, dimension  $k_2 / 2 > h+a$ .

# Helical gearbox dimensions

Gearboxes with mounting flange for Atex category 2GD, 3GD (zone 1, 21, 2, 22)



3

Gearbox <b>GST□□-1N VCR</b>		Drive size										
		1A	1B	2B	1C	2C	3C	4C	6C	7C	1D	2D
		Corresponds to IEC motor										
		63	71	63	80	71	71	71	63	80	90	80
Housing	k <sub>1</sub>	75	77	75	91						115	
	k <sub>2</sub>	120	145	120	145						180	
Flange	a <sub>3</sub>	90	105	90	160	160	105	120	160	120	160	
	b <sub>3</sub> H8	60	70	60	110	110	70	80	110	80	110	
	c <sub>3</sub>	7	8	7	10	10	8	8	10	8	10	
	e <sub>3</sub>	75	85	75	130	130	85	100	130	100	130	
	f <sub>3</sub>	3	3	3	4	4	3	3.5	4	3.5	4	
	s <sub>3</sub> 4 x	5.5	6.6	5.5	9	9	6.6	6.6	9	6.6	9	
Required motor shafts	d <sub>3</sub>	11	14	11	19	14	14	14	11	19	24	19
	l <sub>3</sub>	min	23	30	23	25			23	25	50	40
		max.	23	30	23	40			40	40	50	50
	U <sub>1</sub>	4	5	4	6	5	5	5	4	6	8	6
t <sub>1</sub>	12.5	16	12.5	21.5	16	16	16	12.5	21.5	27	21.5	
Gearbox size	Overall length k											
	04	219	226	219	240						274	
	05		247		261						295	
	06		270		284						318	
	07				313						347	
	09										390	

# Helical gearbox dimensions

Gearboxes with mounting flange for Atex category 2GD, 3GD (zone 1, 21, 2, 22)



Gearbox <b>GST00-1N VCR</b>		Drive size														
		1E	2E	3E	4E	1F	2F	3F	1G	2G	3G	1H	2H	3H	1K	
		Corresponds to IEC motor														
		100 112	90	80	90	100 112	90	90	132	100 112	132	160	180	132	200	
Housing	$k_1$	110			130	139		159	180	160	180	214	214	184	244	
	$k_2$	180			180	180		180	265			300			300	
Flange	$a_3$	160			188	160		188	300	250	250	350	350	300	400	
	$b_3$ H8	110			130	110		130	230	180	180	250	250	230	300	
	$c_3$	10			20	10		20	18	18	35	20	20	18	20	
	$e_3$	130			165	130		165	265	215	215	300	300	265	350	
	$f_3$	4			4	4		4	4.5			6	6	4.5	6	
	$s_3$ 4 x	9			M10	9		M10	13.5			17.5	17.5	13.5	17.5	
	Required motor shafts	$d_3$	28	24	19	24	28	24	24	38	28	38	42	48	38	55
$l_3$		min			30	50		30	50	80	60	80	110	110	80	110
		max.			60	50		60	50	80	60	80	110	110	80	110
$U_1$		8	8	6	8	8	8	8	10	8	10	12	14	10	16	
$t_1$		31	27	21.5	27	31	27	27	41	31	41	45	51.5	41	59	
Gearbox size		Overall length $k$														
05		290			310											
06		313			333	342		362								
07		342			362	371		391	426	406	426	464		434		
09		385			405	414		434	469	449	469	507	507	477	537	

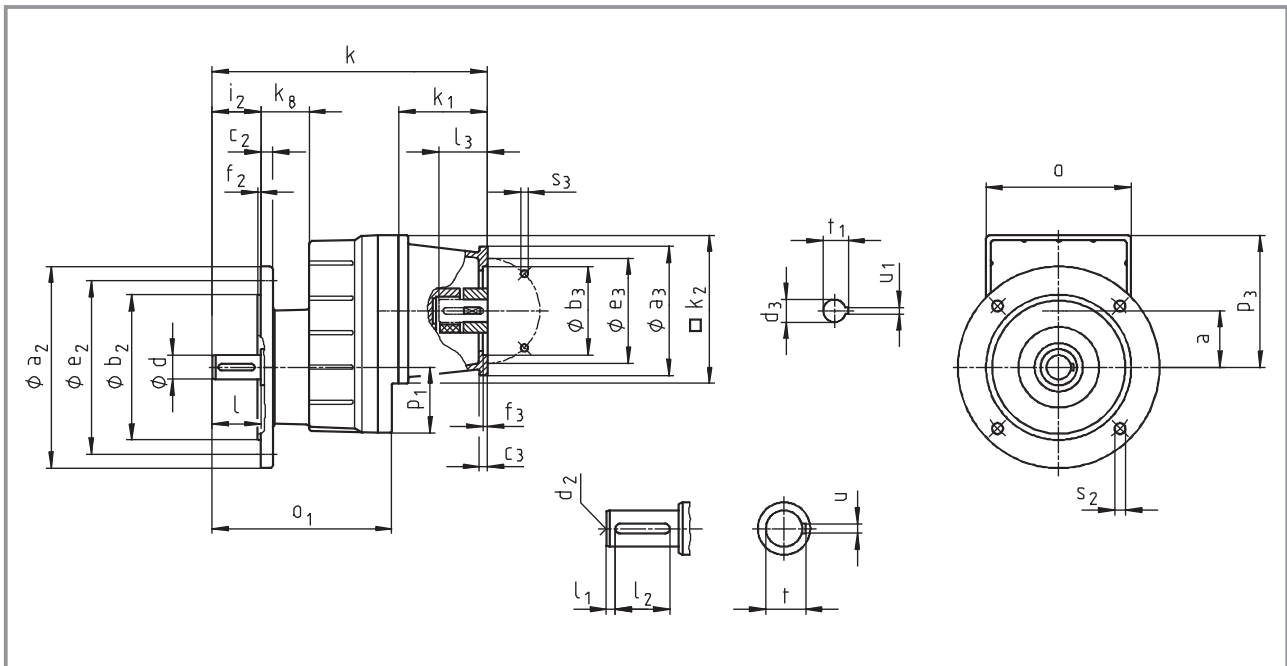
Gearbox	Gearbox size					
	$o^*$	$o_1$	$p^*$	$p_1$	$a$	$k_8$
04	100	134	129	41	36	35
05	115	165	156	51	45	43
06	145	191	194	63	56	48
07	180	223	245	82	70	60
09	222	271	304	101	89	74

Gearbox size	Solid shaft							Threaded pitch circle					
	$d$ k6	$l$	$l_1$	$l_2$	$d_2$	$u$	$t$	$a_1$	$b_1$ h7	$e_1$	$f_1$	$i_1$	$s_1$ 6 x 60°
04	16	32	6	20	M5	5	18	72	48	61	8	43	M5x10
05	20	40	6	28	M6	6	22.5	88	58	74	9	52	M6x12
06	25	50	4	40	M10	8	28	109	70	90	11	64	M8x14
07	30	60	7.5	45	M10	8	33	140	100	120	13	77	M10x18
09	40	80	8.5	63	M16	12	43	174	120	145	15	100	M12x20

Dimensions in [mm] \* Observe dimension  $k_2$ .

# Helical gearbox dimensions

Gearboxes with mounting flange for Atex category 2GD, 3GD (zone 1, 21, 2, 22)



3

Gearbox <b>GST□□-1N VCK</b>		Drive size										
		1A	1B	2B	1C	2C	3C	4C	6C	7C	1D	2D
		Corresponds to IEC motor										
		63	71	63	80	71	71	71	63	80	90	80
Housing	k <sub>1</sub>	75	77	75	91						115	
	k <sub>2</sub>	120	145	120	145						180	
Flange	a <sub>3</sub>	90	105	90	160	160	105	120	160	120	160	
	b <sub>3</sub> H8	60	70	60	110	110	70	80	110	80	110	
	c <sub>3</sub>	7	8	7	10	10	8	8	10	8	10	
	e <sub>3</sub>	75	85	75	130	130	85	100	130	100	130	
	f <sub>3</sub>	3	3	3	4	4	3	3.5	4	3.5	4	
	s <sub>3</sub> 4 x	5.5	6.6	5.5	9	9	6.6	6.6	9	6.6	9	
Required motor shafts	d <sub>3</sub>	11	14	11	19	14	14	14	11	19	24	19
	l <sub>3</sub>	min	23	30	23	25			23	25	50	40
		max.	23	30	23	40			40	40	50	50
	U <sub>1</sub>	4	5	4	6	5	5	5	4	6	8	6
	t <sub>1</sub>	12.5	16	12.5	21.5	16	16	16	12.5	21.5	27	21.5
Gearbox size		Overall length k										
		219	226	219	240				274			
			247		261				295			
			270		284				318			
					313				347			
									390			



# Helical gearbox dimensions

Gearboxes with mounting flange for Atex category 2GD, 3GD (zone 1, 21, 2, 22)



Gearbox <b>GST00-1N VCK</b>		Drive size													
		1E	2E	3E	4E	1F	2F	3F	1G	2G	3G	1H	2H	3H	1K
		Corresponds to IEC motor													
		100 112	90	80	90	100 112	90	90	132	100 112	132	160	180	132	200
Housing	$k_1$	110			130	139		159	180	160	180	214	214	184	244
	$k_2$	180			180	180		180	265			300			300
Flange	$a_3$	160			188	160		188	300	250	250	350	350	300	400
	$b_3$ H8	110			130	110		130	230	180	180	250	250	230	300
	$c_3$	10			20	10		20	18	18	35	20	20	18	20
	$e_3$	130			165	130		165	265	215	215	300	300	265	350
	$f_3$	4			4	4		4	4.5			6	6	4.5	6
	$s_3$ 4 x	9			M10	9		M10	13.5			17.5	17.5	13.5	17.5
	Required motor shafts	$d_3$	28	24	19	24	28	24	24	38	28	38	42	48	38
$l_3$		min			50	30		50	80	60	80	110	110	80	110
		max.			50	60		50	80	60	80	110	110	80	110
$U_1$		8	8	6	8	8	8	8	10	8	10	12	14	10	16
$t_1$		31	27	21.5	27	31	27	27	41	31	41	45	51.5	41	59
Gearbox size		Overall length $k$													
05		290			310										
06		313			333	342		362							
07		342			362	371		391	426	406	426	464		434	
09		385			405	414		434	469	449	469	507	507	477	537

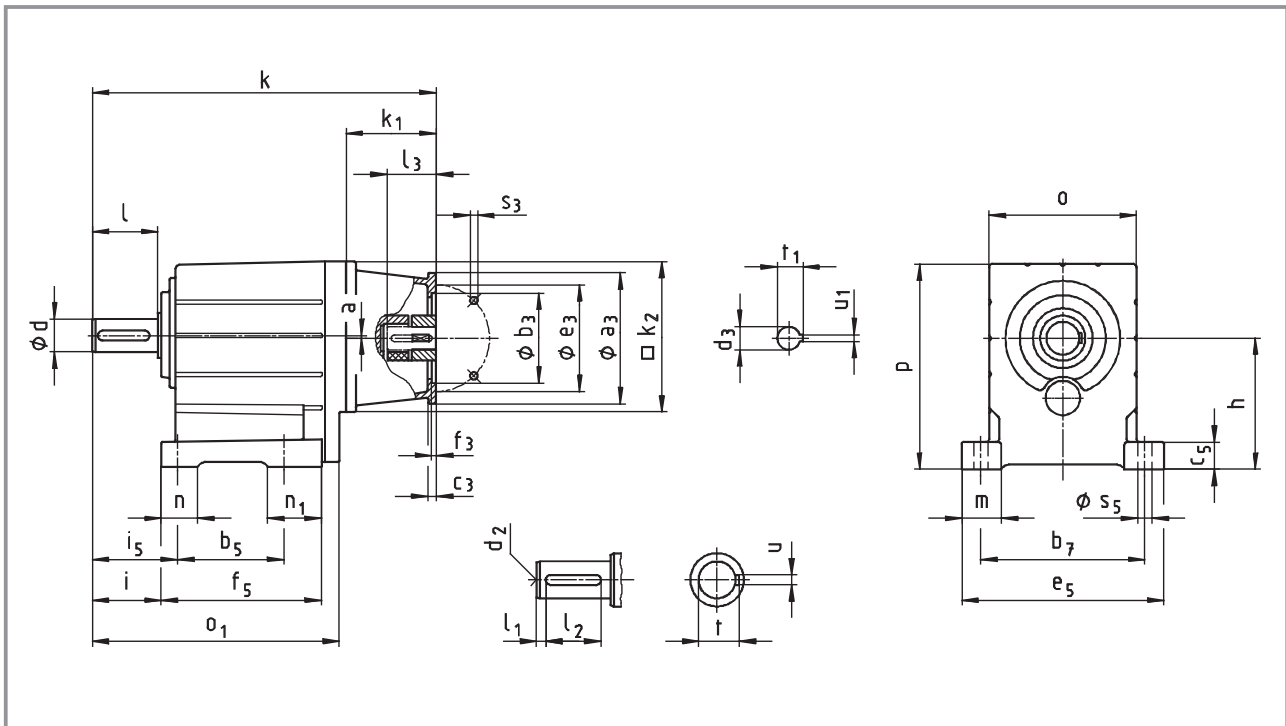
Gearbox	Gearbox size					
	$o^*$	$o_1$	$p_1$	$p_3^*$	$a$	$k_8$
04	100	134	41	88	36	35
05	115	165	51	105	45	43
06	145	191	63	131	56	48
07	180	223	82	164	70	60
09	222	271	101	204	89	74

Gearbox size	$d$ k6	$l$	$l_1$	Solid shaft				Output flange						
				$l_2$	$d_2$	$u$	$t$	$a_2$	$b_2$ j7	$c_2$	$e_2$	$f_2$	$i_2$	$s_2$ 4x90°
04	16	32	6	20	M5	5	18	120	80	10	100	3	32	7
								140	95		115	3		9
								160	110		130	3.5		9
05	20	40	6	28	M6	6	22.5	120	80	10	100	3	40	7
								140	95	10	115	3		9
								160	110	10	130	3.5		9
								200	130	12	165	3.5		11
06	25	50	4	40	M10	8	28	160	110	12	130	3.5	50	9
								200	130		165	11		
07	30	60	7.5	45	M10	8	33	200	130	14	165	3.5	60	11
								250	180	15	215	4		13.5
09	40	80	8.5	63	M16	12	43	250	180	16	215	4	80	13.5
								300	230	18	265			

Dimensions in [mm] \* Observe dimension  $k_2$ .

# Helical gearbox dimensions

Gearboxes with mounting flange for Atex category 2GD, 3GD (zone 1, 21, 2, 22)



Gearbox <b>GST□□-2N VBR</b>		Drive size													
		1A	1B	2B	1C	2C	3C	4C	6C	7C	1D	2D			
		Corresponds to IEC motor													
		63	71	63	80	71	71	71	63	80	90	80			
Housing	k <sub>1</sub>	75	77	75	91						115				
	k <sub>2</sub>	120	145	120	145						180				
Flange	a <sub>3</sub>	90	105	90	160	160	105	120	160	120	160				
	b <sub>3</sub> H8	60	70	60	110	110	70	80	110	80	110				
	c <sub>3</sub>	7	8	7	10	10	8	8	10	8	10				
	e <sub>3</sub>	75	85	75	130	130	85	100	130	100	130				
	f <sub>3</sub>	3	3		4	4	3	3.5	4	3.5	4				
	s <sub>3</sub> 4 x	5.5	6.6	5.5	9	9	6.6	6.6	9	6.6	9				
Required motor shafts	d <sub>3</sub>	11	14	11	19	14	14	14	11	19	24	19			
	l <sub>3</sub>	min	23	30	23	25						23	25	50	40
		max.	23	30	23	40						40	40	50	50
	U <sub>1</sub>	4	5	4	6	5	5	5	4	6	8	6			
t <sub>1</sub>	12.5	16	12.5	21.5	16	16	16	12.5	21.5	27	21.5				
Gearbox size	Overall length k														
	04	259	266	259	280						314				
05		296		310						344					
06		322		336						370					
07				392						426					
09										489					

# Helical gearbox dimensions

Gearboxes with mounting flange for Atex category 2GD, 3GD (zone 1, 21, 2, 22)



Gearbox <b>GST□□-2N VBR</b>		Drive size																							
		1E	2E	3E	4E	1F	2F	3F	1G	2G	3G	1H	2H	3H	1K	2K									
		Corresponds to IEC motor																							
		100 112	90	80	90	100 112	90	90	132	100 112	132	160	180	132	200	225									
Housing	k <sub>1</sub>	110		130		139		159		180		160		180		214		214		184		244		274	
	k <sub>2</sub>	180		180		180		180		265		300		300		300		300		300		300		300	
Flange	a <sub>3</sub>	160		188		160		188		300		250		250		350		350		300		400		450	
	b <sub>3</sub> H8	110		130		110		130		230		180		180		250		250		230		300		350	
	c <sub>3</sub>	10		20		10		20		18		18		35		20		20		18		20		20	
	e <sub>3</sub>	130		165		130		165		265		215		215		300		300		265		350		400	
	f <sub>3</sub>	4		4		4		4		4.5		6		6		4.5		6		6		6		6	
	s <sub>3</sub> 4 x 8 x	9		M10		9		M10		13.5		17.5		17.5		13.5		17.5		17.5		17.5		17.5	
Required motor shafts	d <sub>3</sub>	28	24	19	24	28	24	24	38	28	38	42	48	38	55	60									
	l <sub>3</sub> min max.	30		50		30		50		80		60		80		110		110		80		110		140	
		60		50		60		50		80		60		80		110		110		80		110		140	
	U <sub>1</sub>	8	8	6	8	8	8	8	10	8	10	12	14	10	16	18									
	t <sub>1</sub>	31	27	21.5	27	31	27	27	41	31	41	45	51.5	41	59	64									
Gearbox size	Overall length k																								
	05	339		359																					
	06	365		385		394		414																	
	07	421		441		450		470		505		485		505		543		513							
	09	484		504		513		533		568		548		568		606		606		576		636			
	11	541		561		570		590		625		605		625		663		663		633		693		723	
	14									715		695		715		753		753		723		783		813	

Gearbox size	o <sup>1)</sup>	o <sub>1</sub>	Gearbox p <sup>1)</sup>	h <sup>1)</sup>	a
04	100	174	132	80	0
05	115	214	159	100	1
06	145	243	198	125	2
07	180	302	251	160	3
09	222	370	311	200	4
11	270	433	385	250	4
14	328	533	479	315	6

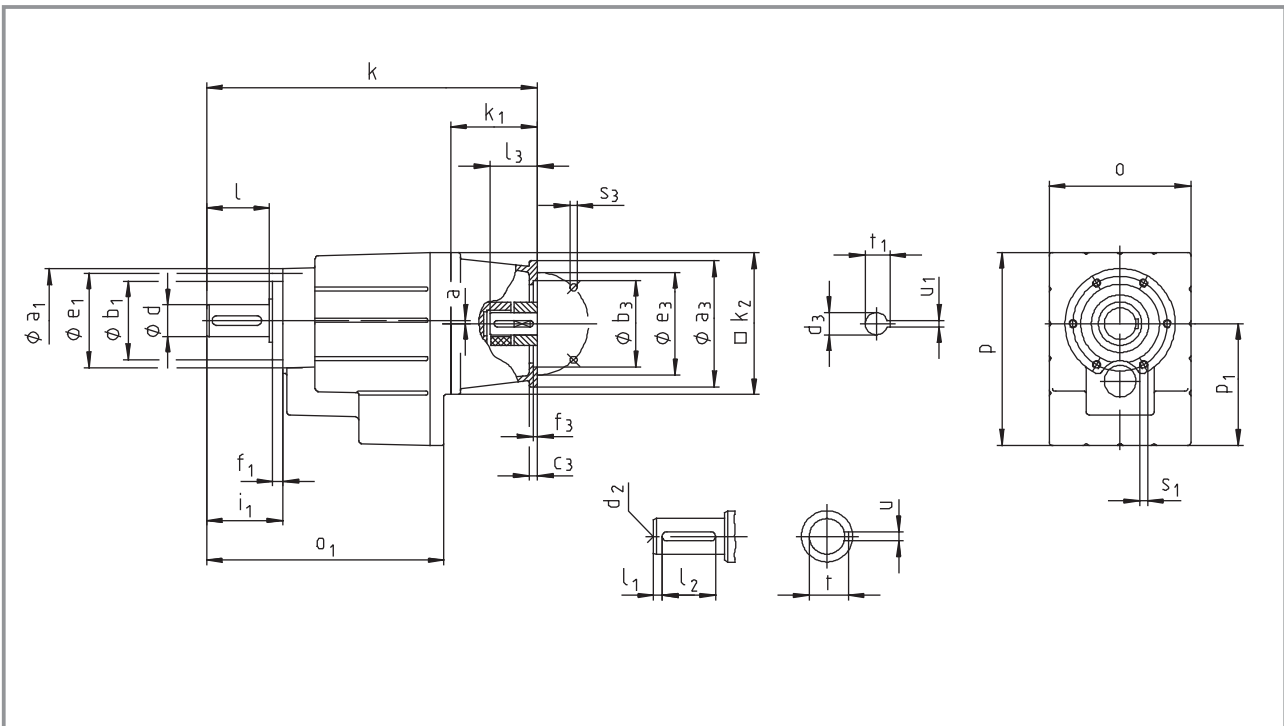
Gearbox size	Solid shaft								Foot										
	d	l	l <sub>1</sub>	l <sub>2</sub>	d <sub>2</sub>	u	t	b <sub>5</sub>	b <sub>7</sub>	c <sub>5</sub>	e <sub>5</sub>	f <sub>5</sub>	i	i <sub>5</sub>	m	n	n <sub>1</sub>	s <sub>5</sub>	
04	20	40	5	28	M6	6	22.5	76	105	18	129	112	43	53	25	20	36	9	
05	25	50	4	40	M10	8	28	90	125	23	155	139	53	66	33	26	49	11	
06	30	60	6	45	M10	8	33	106	160	28	196	157	64	79	38	35	52	13.5	
07	40	80	7	63	M16	12	43	130	200	34	247	196	84	104	49	45	66	18	
09	50	100	8	80	M16	14	53.5	165	245	44	298	239	105	127.5	54	48	74	18	
11	60	120	8	100	M20	18	64	200	300	54	368	280	125	155	69	65	80	22	
14	80	160	15	125	M20	22	85	250	380	65	460	340	165	200	85	85	91	26	

Dimensions in [mm]    d ≤ 50 mm: k6  
                                  d > 50 mm: m6

<sup>1)</sup> Observe dimension k<sub>2</sub>; with gearbox size 04 and drive size 1D/2D, dimension k<sub>2</sub>/2 > h-a.

# Helical gearbox dimensions

Gearboxes with mounting flange for Atex category 2GD, 3GD (zone 1, 21, 2, 22)



3

Gearbox <b>GST□□-2N VCR</b>		Drive size										
		1A	1B	2B	1C	2C	3C	4C	6C	7C	1D	2D
Housing		Corresponds to IEC motor										
	$k_1$	63	71	63	80	71	71	71	63	80	90	80
	$k_2$	75	77	75	91						115	
Flange	$a_3$	120	145	120	145						180	
	$b_3$ H8	90	105	90	160	160	105	120	160	120	160	
	$c_3$	60	70	60	110	110	70	80	110	80	110	
	$e_3$	7	8	7	10	10	8	8	10	8	10	
	$f_3$	75	85	75	130	130	85	100	130	100	130	
Required	$s_3$ 4 x	3	3		4	4	3	3.5	4	3.5	4	
	$d_3$	5.5	6.6	5.5	9	9	6.6	6.6	9	6.6	9	
motor shafts	$l_3$ min	11	14	11	19	14	14	14	11	19	24	19
	$l_3$ max.	23	30	23	25				23	25	50	40
	$U_1$	23	30	23	40				40	40	50	50
	$t_1$	4	5	4	6	5	5	5	4	6	8	6
		12.5	16	12.5	21.5	16	16	16	12.5	21.5	27	21.5
Gearbox size		Overall length $k$										
	04	259	266	259	280						314	
	05		296		310						344	
	06		322		336						370	
	07				392						426	
	09										489	

# Helical gearbox dimensions

Gearboxes with mounting flange for Atex category 2GD, 3GD (zone 1, 21, 2, 22)



Gearbox <b>GST□□-2N VCR</b>		Drive size														
		1E	2E	3E	4E	1F	2F	3F	1G	2G	3G	1H	2H	3H	1K	2K
		Corresponds to IEC motor														
		100 112	90	80	90	100 112	90	90	132	100 112	132	160	180	132	200	225
Housing	k <sub>1</sub>	110			130	139		159	180	160	180	214	214	184	244	274
	k <sub>2</sub>	180			180	180		180	265			300			300	
Flange	a <sub>3</sub>	160			188	160		188	300	250	250	350	350	300	400	450
	b <sub>3</sub> H8	110			130	110		130	230	180	180	250	250	230	300	350
	c <sub>3</sub>	10			20	10		20	18	18	35	20	20	18	20	
	e <sub>3</sub>	130			165	130		165	265	215	215	300	300	265	350	400
	f <sub>3</sub>	4			4	4		4	4.5			6	6	4.5	6	
	s <sub>3</sub> 4 x 8 x	9			M10	9		M10	13.5			17.5	17.5	13.5	17.5	17.5
Required motor shafts	d <sub>3</sub>	28	24	19	24	28	24	24	38	28	38	42	48	38	55	60
	l <sub>3</sub> min max.	30			50	30		50	80	60	80	110	110	80	110	140
		60			50	60		50	80	60	80	110	110	80	110	140
	U <sub>1</sub>	8	8	6	8	8	8	8	10	8	10	12	14	10	16	18
t <sub>1</sub>	31	27	21.5	27	31	27	27	41	31	41	45	51.5	41	59	64	
Gearbox size	Overall length k															
05	339			359												
06	365			385	394		414									
07	421			441	450		470	505	485	505	543		513			
09	484			504	513		533	568	548	568	606	606	576	636		
11	541			561	570		590	625	605	625	663	663	633	693	723	
14								715	695	715	753	753	723	783	813	

Gearbox size	o <sup>1)</sup>	o <sub>1</sub>	Gearbox p <sup>1)</sup>	p <sub>1</sub>	a
04	100	174	129	77	0
05	115	214	156	98	1
06	145	243	194	121	2
07	180	302	245	155	3
09	222	370	304	194	4
11	270	433	378	243	4
14	328	533	470	306	6

Gearbox size	Solid shaft							Threaded pitch circle					
	d	l	l <sub>1</sub>	l <sub>2</sub>	d <sub>2</sub>	u	t	a <sub>1</sub>	b <sub>1</sub> h7	e <sub>1</sub>	f <sub>1</sub>	i <sub>1</sub>	s <sub>1</sub> 6 x 60°
04	20	40	5	28	M6	6	22.5	72	48	61	8	51	M5x10
05	25	50	4	40	M10	8	28	88	58	74	9	62	M6x12
06	30	60	6	45	M10	8	33	109	70	90	10	74	M8x14
07	40	80	7	63	M16	12	43	140	100	120	13	97	M10x18
09	50	100	8	80	M16	14	53.5	174	120	145	15	120	M12x20
11	60	120	8	100	M20	18	64	215	150	185	18	143	M16x26
14	80	160	15	125	M20	22	85	265	195	230	22	187	M20x34

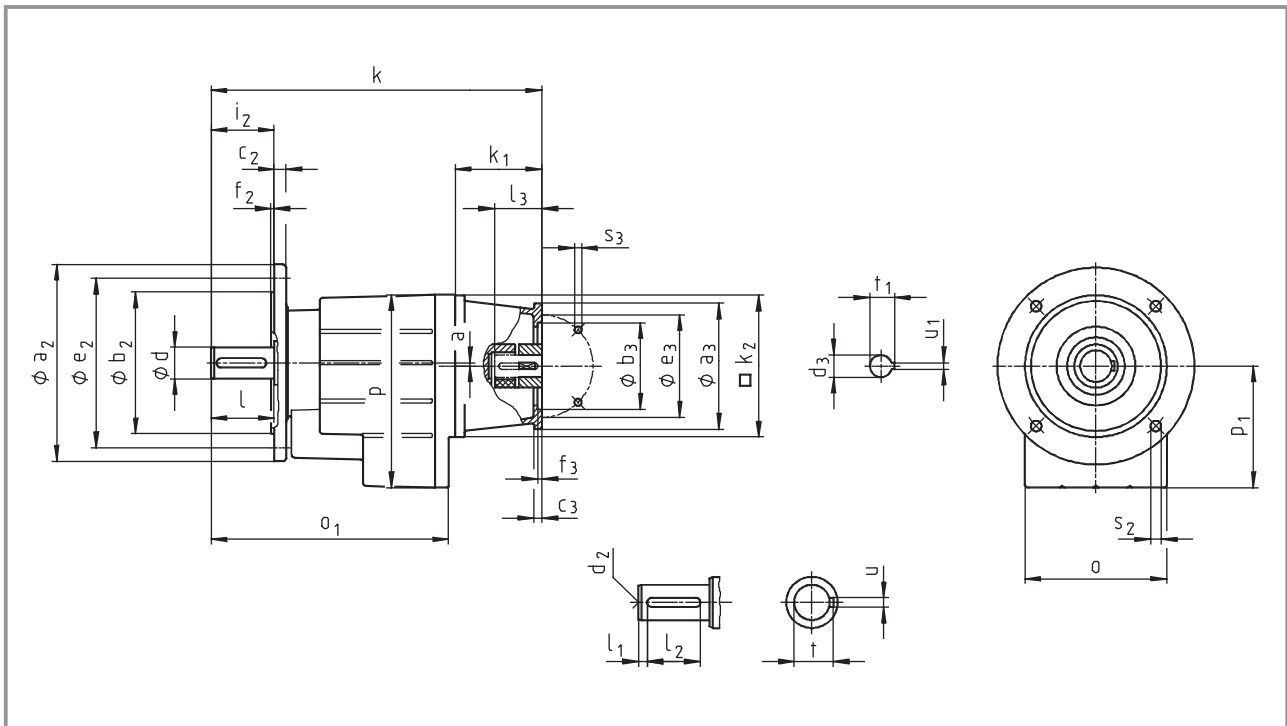
Dimensions in [mm]

d ≤ 50 mm: k6  
d > 50 mm: m6

<sup>1)</sup> Observe dimension k<sub>2</sub>.

# Helical gearbox dimensions

Gearboxes with mounting flange for Atex category 2GD, 3GD (zone 1, 21, 2, 22)



3

Gearbox <b>GST□□-2N VCK</b>		Drive size											
		1A	1B	2B	1C	2C	3C	4C	6C	7C	1D	2D	
		Corresponds to IEC motor											
		63	71	63	80	71	71	71	63	80	90	80	
Housing	$k_1$	75	77	75	91						115		
	$k_2$	120	145	120	145						180		
Flange	$a_3$	90	105	90	160	160	105	120	160	120	160		
	$b_3$ H8	60	70	60	110	110	70	80	110	80	110		
	$c_3$	7	8	7	10	10	8	8	10	8	10		
	$e_3$	75	85	75	130	130	85	100	130	100	130		
	$f_3$	3	3		4	4	3	3.5	4	3.5	4		
	$s_3$ 4 x	5.5	6.6	5.5	9	9	6.6	6.6	9	6.6	9		
Required motor shafts	$d_3$	11	14	11	19	14	14	14	11	19	24	19	
	$l_3$ min max.	23		30	23	25			23	25	50	40	
		23		30	23	40			40	40	50	50	
	$U_1$	4	5	4	6	5	5	5	4	6	8	6	
$t_1$	12.5	16	12.5	21.5	16	16	16	12.5	21.5	27	21.5		
Gearbox size	Overall length $k$												
	04	259	266	259	280						314		
05		296		310						344			
06		322		336						370			
07				392						426			
09										489			

# Helical gearbox dimensions

Gearboxes with mounting flange for Atex category 2GD, 3GD (zone 1, 21, 2, 22)



Gearbox <b>GST00-2N VCK</b>		Drive size																							
		1E	2E	3E	4E	1F	2F	3F	1G	2G	3G	1H	2H	3H	1K	2K									
		Corresponds to IEC motor																							
		100 112	90	80	90	100 112	90	90	132	100 112	132	160	180	132	200	225									
Housing	$k_1$	110		130		139		159		180		160		180		214		214		184		244		274	
	$k_2$	180		180		180		180		265		300		300		300		300		300		300		300	
Flange	$a_3$	160		188		160		188		300		250		250		350		350		300		400		450	
	$b_3$ H8	110		130		110		130		230		180		180		250		250		230		300		350	
	$c_3$	10		20		10		20		18		18		35		20		20		18		20		20	
	$e_3$	130		165		130		165		265		215		215		300		300		265		350		400	
	$f_3$	4		4		4		4		4.5		6		6		4.5		6		6		6		6	
	$s_3$ 4 x 8 x	9		M10		9		M10		13.5		17.5		17.5		13.5		17.5		17.5		17.5		17.5	
Required motor shafts	$d_3$	28	24	19	24	28	24	24	38	28	38	42	48	38	55	60									
	$l_3$ min max.	30		50		30		50		80		60		80		110		110		80		110		140	
		60		50		60		50		80		60		80		110		110		80		110		140	
	$U_1$	8	8	6	8	8	8	8	10	8	10	12	14	10	16	18									
$t_1$	31	27	21.5	27	31	27	27	41	31	41	45	51.5	41	59	64										
Gearbox size	Overall length $k$																								
05	339		359		394		414		505		485		505		543		513		636		723				
06	365		385		394		414		505		485		505		543		513		636		723				
07	421		441		450		470		505		485		505		543		513		636		723				
09	484		504		513		533		568		548		568		606		606		576		636		723		
11	541		561		570		590		625		605		625		663		663		633		693		723		
14	715		695		715		753		753		723		783		813		813		813		813		813		

Gearbox size	$\sigma^1$	$\sigma_1$	Gearbox $p^1$	$p_1$	$a$
04	100	174	129	77	0
05	115	214	156	98	1
06	145	243	194	121	2
07	180	302	245	155	3
09	222	370	304	194	4
11	270	433	378	243	4
14	328	533	470	306	6

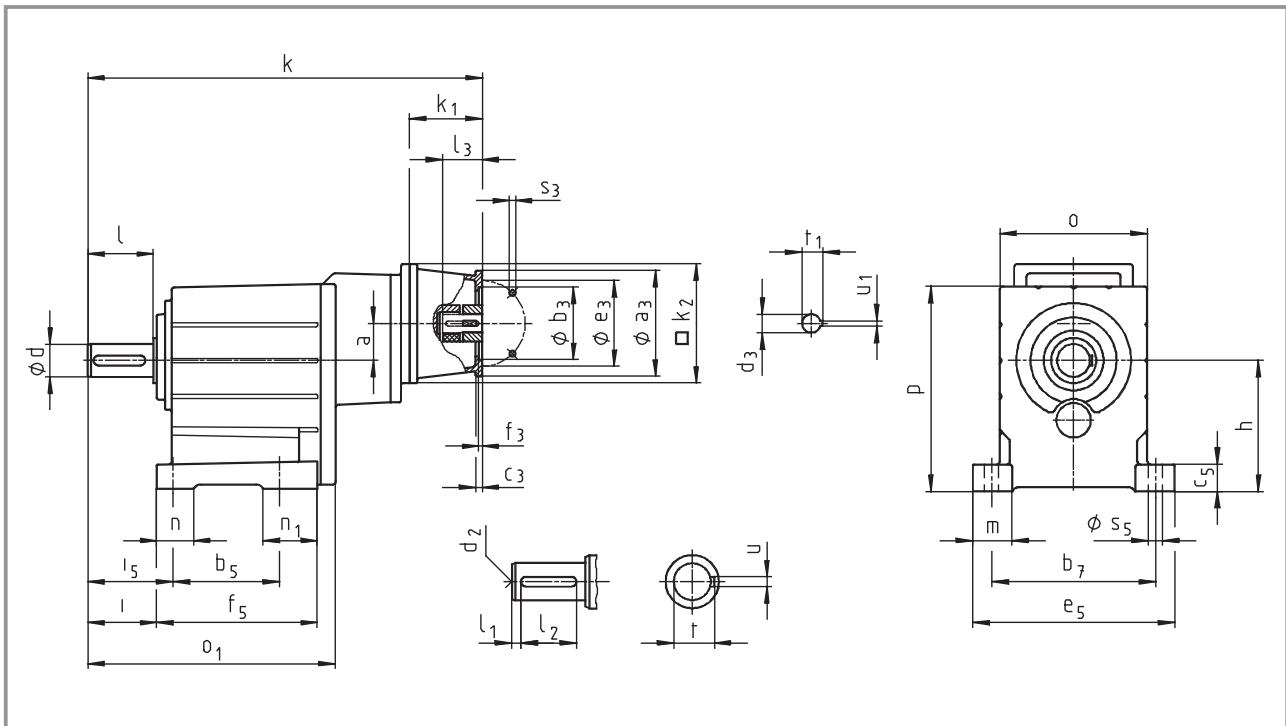
Gearbox size	Solid shaft							Output flange						
	$d$	$l$	$l_1$	$l_2$	$d_2$	$u$	$t$	$a_2$	$b_2$ $j_7$	$c_2$	$e_2$	$f_2$	$i_2$	$s_2$ $4 \times 90^\circ$
04	20	40	5	28	M6	6	22.5	120	80	10	100	3	40	7
								140	95		115	3		9
								160	110		130	3.5		9
05	25	50	4	40	M10	8	28	120	80	10	100	3	50	7
								140	95		115	3		9
								160	110		130	3.5		9
								200	130		165	3.5		11
06	30	60	6	45	M10	8	33	160	110	12	130	3.5	60	9
								200	130		165	3.5		11
07	40	80	7	63	M16	12	43	200	130	14	165	3.5	80	11
								250	180		15	215		4
09	50	100	8	80	M16	14	53.5	250	180	16	215	4	100	14
								300	230		18	265		5
11	60	120	8	100	M20	18	64	300	230	18	265	4	120	14
								350	250		20	300		5
14	80	160	15	125	M20	22	85	350	250	22	300	5	160	18
								400	300		24	350		5

Dimensions in [mm]  $d \leq 50$  mm: k6  
 $d > 50$  mm: m6

<sup>1)</sup> Observe dimension  $k_2$ .

# Helical gearbox dimensions

Gearboxes with mounting flange for Atex category 2GD, 3GD (zone 1, 21, 2, 22)



3

Gearbox <b>GST□□-3N VBR</b>		Drive size													
		1A	1B	2B	1C	2C	3C	4C	6C	7C	1D	2D			
		Corresponds to IEC motor													
		63	71	63	80	71	71	71	63	80	90	80			
Housing	k <sub>1</sub>	75	77	75	91						115				
	k <sub>2</sub>	120	145	120	145						180				
Flange	a <sub>3</sub>	90	105	90	160	160	105	120	160	120	160				
	b <sub>3</sub> H8	60	70	60	110	110	70	80	110	80	110				
	c <sub>3</sub>	7	8	7	10	10	8	8	10	8	10				
	e <sub>3</sub>	75	85	75	130	130	85	100	130	100	130				
	f <sub>3</sub>	3	3		4	4	3	3.5	4	3.5	4				
	s <sub>3</sub> 4 x	5.5	6.6	5.5	9	9	6.6	6.6	9	6.6	9				
Required motor shafts	d <sub>3</sub>	11	14	11	19	14	14	14	11	19	24	19			
	l <sub>3</sub>	min	23	30	23	25						23	25	50	40
		max.	23	30	23	40						40	40	50	50
	U <sub>1</sub>	4	5	4	6	5	5	5	4	6	8	6			
t <sub>1</sub>	12.5	16	12.5	21.5	16	16	16	12.5	21.5	27	21.5				
Gearbox size		Overall length k													
		k													
	05	365	372	365	386										
	06	408	415	408	429						463				
	07		482		496						530				
	09		563		577						611				
	11				653						687				
	14										811				



# Helical gearbox dimensions

Gearboxes with mounting flange for Atex category 2GD, 3GD (zone 1, 21, 2, 22)



Gearbox <b>GST□□-3N VBR</b>		Drive size												
		1E	2E	3E	4E	1F	2F	3F	1G	2G	3G	1H	2H	3H
		Corresponds to IEC motor												
		100 112	90	80	90	100 112	90	90	132	100 112	132	160	180	132
Housing	k <sub>1</sub>	110			130	139		159	180	160	180	214	214	184
	k <sub>2</sub>	180			180	180		180	265			300		
Flange	a <sub>3</sub>	160			188	160		188	300	250	250	350	350	300
	b <sub>3</sub> H8	110			130	110		130	230	180	180	250	250	230
	c <sub>3</sub>	10			20	10		20	18	18	35	20	20	18
	e <sub>3</sub>	130			165	130		165	265	215	215	300	300	265
	f <sub>3</sub>	4			4	4		4	4.5			6	6	4.5
	s <sub>3</sub> 4 x	9			M10	9		M10	13.5			17.5	17.5	13.5
Required motor shafts	d <sub>3</sub>	28	24	19	24	28	24	24	38	28	38	42	48	38
	l <sub>3</sub>	min			50	30		50	80	60	80	110	110	80
		max.			50	60		50	80	60	80	110	110	80
	U <sub>1</sub>	8	8	6	8	8	8	8	10	8	10	12	14	10
t <sub>1</sub>	31	27	21.5	27	31	27	27	41	31	41	45	51.5	41	
Gearbox size	Overall length k													
07	525			545										
09	606			626	635		655							
11	682			702	711		731	766	746	766				
14	806			826	835		855	890	870	890	929	929	899	

Gearbox	o*	o <sub>1</sub>	Gearbox size p*	h	a
05	115	208	159	100	35
06	145	240	198	125	34
07	180	302	251	160	42
09	222	370	311	200	52
11	270	433	385	250	66
14	328	533	479	315	83

Gearbox size	Solid shaft								Foot										
	d	l	l <sub>1</sub>	l <sub>2</sub>	d <sub>2</sub>	u	t	b <sub>5</sub>	b <sub>7</sub>	c <sub>5</sub>	e <sub>5</sub>	f <sub>5</sub>	i	i <sub>5</sub>	m	n	n <sub>1</sub>	s <sub>5</sub>	
05	25	50	4	40	M10	8	28	90	125	23	155	139	53	66	32.5	26	49	11	
06	30	60	6	45	M10	8	33	106	160	28	196	157	64	79	38	35	52	13.5	
07	40	80	7	63	M16	12	43	130	200	34	247	196	84	104	48.5	45	66	18	
09	50	100	8	80	M16	14	53.5	165	245	44	298	239	105	127.5	54	48	74	18	
11	60	120	8	100	M20	18	64	200	300	54	368	280	125	155	69	65	80	22	
14	80	160	15	125	M20	22	85	250	380	65	460	340	165	200	85	85	91	26	

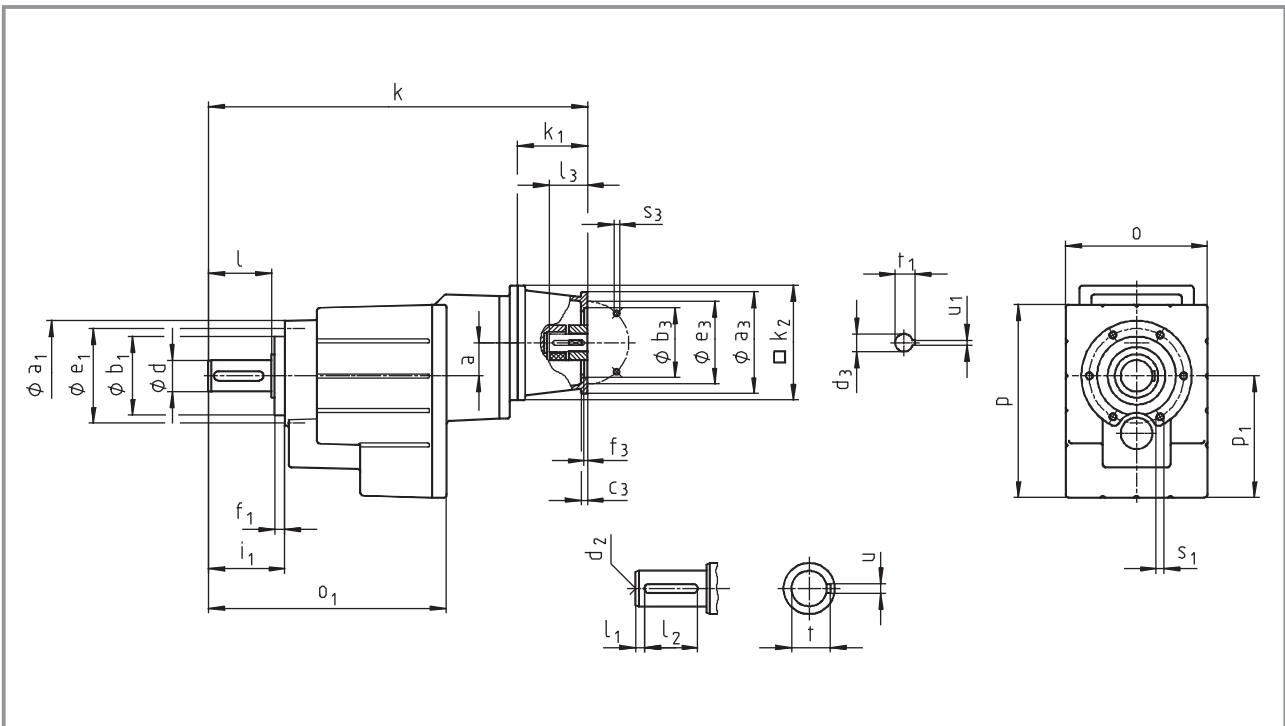
Dimensions in [mm]

d ≤ 50 mm: k6  
d > 50 mm: m6

\* Observe dimension k<sub>2</sub>.

# Helical gearbox dimensions

Gearboxes with mounting flange for Atex category 2GD, 3GD (zone 1, 21, 2, 22)



3

Gearbox <b>GST□□-3N VCR</b>		Drive size													
		1A	1B	2B	1C	2C	3C	4C	6C	7C	1D	2D			
		Corresponds to IEC motor													
		63	71	63	80	71	71	71	63	80	90	80			
Housing	k <sub>1</sub>	75	77	75	91						115				
	k <sub>2</sub>	120	145	120	145						180				
Flange	a <sub>3</sub>	90	105	90	160	160	105	120	160	120	160				
	b <sub>3</sub> H8	60	70	60	110	110	70	80	110	80	110				
	c <sub>3</sub>	7	8	7	10	10	8	8	10	8	10				
	e <sub>3</sub>	75	85	75	130	130	85	100	130	100	130				
	f <sub>3</sub>	3	3		4	4	3	3.5	4	3.5	4				
	s <sub>3</sub> 4 x	5.5	6.6	5.5	9	9	6.6	6.6	9	6.6	9				
Required motor shafts	d <sub>3</sub>	11	14	11	19	14	14	14	11	19	24	19			
	l <sub>3</sub>	min	23	30	23	25						23	25	50	40
		max.	23	30	23	40						40	40	50	50
	U <sub>1</sub>	4	5	4	6	5	5	5	4	6	8	6			
t <sub>1</sub>	12.5	16	12.5	21.5	16	16	16	12.5	21.5	27	21.5				
Gearbox size	Overall length k														
	05	365	372	365	386										
06	408	415	408	429						463					
07		482		496						530					
09		563		577						611					
11				653						687					
14										811					

# Helical gearbox dimensions

Gearboxes with mounting flange for Atex category 2GD, 3GD (zone 1, 21, 2, 22)



Gearbox <b>GST□□-3N VCR</b>		Drive size												
		1E	2E	3E	4E	1F	2F	3F	1G	2G	3G	1H	2H<	3H
		Corresponds to IEC motor												
		100 112	90	80	90	100 112	90	90	132	100 112	132	160	180	132
Housing	$k_1$	110			130	139		159	180	160	180	214	214	184
	$k_2$	180			180	180		180	265			300		
Flange	$a_3$	160			188	160		188	300	250	250	350	350	300
	$b_3$ H8	110			130	110		130	230	180	180	250	250	230
	$c_3$	10			20	10		20	18	18	35	20	20	18
	$e_3$	130			165	130		165	265	215	215	300	300	265
	$f_3$	4			4	4		4	4.5			6	6	4.5
	$s_3$ 4 x	9			M10	9		M10	13.5			17.5	17.5	13.5
	Required motor shafts	$d_3$	28	24	19	24	28	24	24	38	28	38	42	48
$l_3$		min			50	30		50	80	60	80	110	110	80
		max.			60	60		60	80	60	80	110	110	80
$U_1$		8	8	6	8	8	8	8	10	8	10	12	14	10
$t_1$		31	27	21.5	27	31	27	27	41	31	41	45	51.5	41
Gearbox size	Overall length $k$													
07	525			545										
09	606			626	635		655							
11	682			702	711		731	766	746	766				
14	806			826	835		855	890	870	890	929	929	899	

Gearbox	$o^*$	$o_1$	Gearbox size $p^*$	$p_1$	$a$
05	115	208	156	98	35
06	145	240	194	121	34
07	180	302	245	155	42
09	222	370	304	194	52
11	270	433	378	243	66
14	328	533	470	306	83

Gearbox size	Solid shaft							Threaded pitch circle					
	$d$	$l$	$l_1$	$l_2$	$d_2$	$u$	$t$	$a_1$	$b_1$ h7	$e_1$	$f_1$	$i_1$	$s_1$ 6 x 60°
05	25	50	4	40	M10	8	28	88	58	74	9	62	M6x12
06	30	60	6	45	M10	8	33	109	70	90	10	74	M8x14
07	40	80	7	63	M16	12	43	140	100	120	13	97	M10x18
09	50	100	8	80	M16	14	53.5	174	120	145	15	120	M12x20
11	60	120	8	100	M20	18	64	215	150	185	18	143	M16x26
14	80	160	15	125	M20	22	85	265	195	230	22	187	M20x34

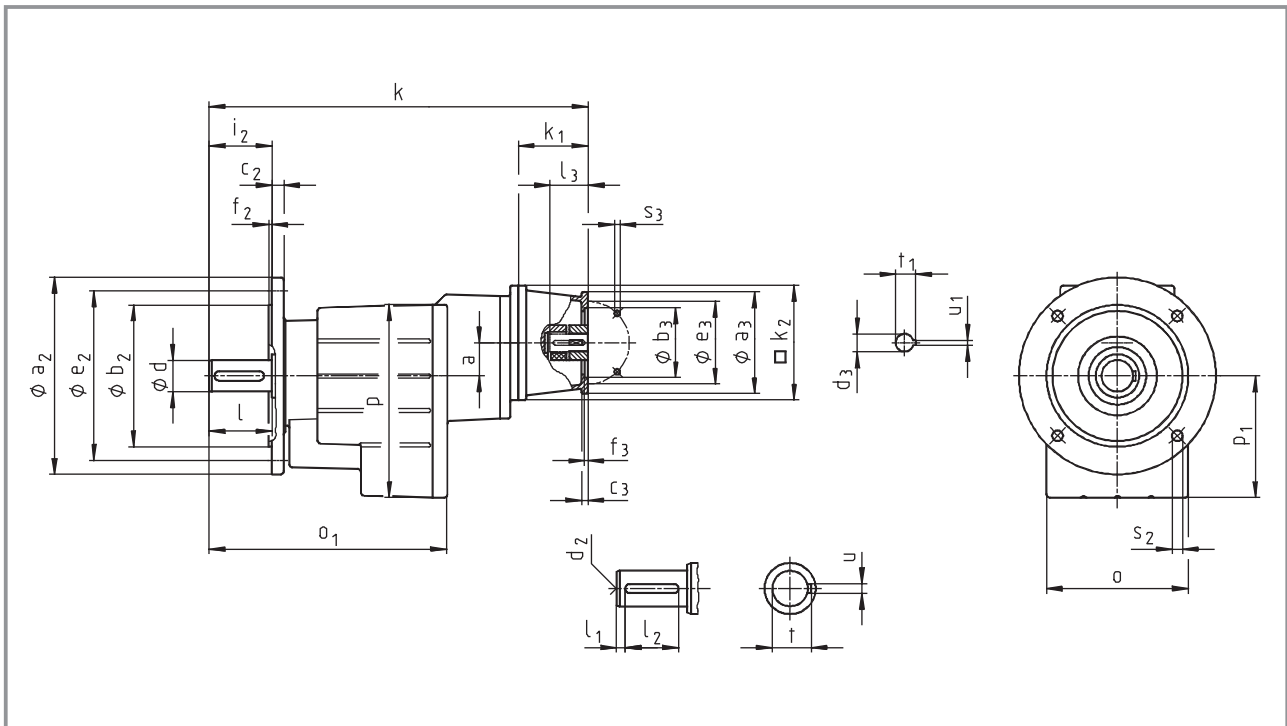
Dimensions in [mm]

$d \leq 50$  mm: k6  
 $d > 50$  mm: m6

\* Observe dimension  $k_2$ .

# Helical gearbox dimensions

Gearboxes with mounting flange for Atex category 2GD, 3GD (zone 1, 21, 2, 22)



3

Gearbox <b>GST□□-3N VCK</b>		Drive size													
		1A	1B	2B	1C	2C	3C	4C	6C	7C	1D	2D			
		Corresponds to IEC motor													
		63	71	63	80	71	71	71	63	80	90	80			
Housing	k <sub>1</sub>	75	77	75	91						115				
	k <sub>2</sub>	120	145	120	145						180				
Flange	a <sub>3</sub>	90	105	90	160	160	105	120	160	120	160				
	b <sub>3</sub> H8	60	70	60	110	110	70	80	110	80	110				
	c <sub>3</sub>	7	8	7	10	10	8	8	10	8	10				
	e <sub>3</sub>	75	85	75	130	130	85	100	130	100	130				
	f <sub>3</sub>	3	3		4	4	3	3.5	4	3.5	4				
	s <sub>3</sub> 4 x	5.5	6.6	5.5	9	9	6.6	6.6	9	6.6	9				
Required motor shafts	d <sub>3</sub>	11	14	11	19	14	14	14	11	19	24	19			
	l <sub>3</sub>	min	23	30	23	25						23	25	50	40
		max.	23	30	23	40						40	40	50	50
	U <sub>1</sub>	4	5	4	6	5	5	5	4	6	8	6			
t <sub>1</sub>	12.5	16	12.5	21.5	16	16	16	12.5	21.5	27	21.5				
Gearbox size	Overall length k														
	05	365	372	365	386										
06	408	415	408	429						463					
07		482		496						530					
09		563		577						611					
11				653						687					
14										811					

# Helical gearbox dimensions

Gearboxes with mounting flange for Atex category 2GD, 3GD (zone 1, 21, 2, 22)



Gearbox <b>GST00-3N VCK</b>		Drive size													
		1E	2E	3E	4E	1F	2F	3F	1G	2G	3G	1H	2H<	3H	
		Corresponds to IEC motor													
		100 112	90	80	90	100 112	90	90	132	100 112	132	160	180	132	
Housing	k <sub>1</sub>	110			130	139		159	180	160	180	214	214	184	
	k <sub>2</sub>	180			180	180		180	265			300			
Flange	a <sub>3</sub>	160			188	160		188	300	250	250	350	350	300	
	b <sub>3</sub> H8	110			130	110		130	230	180	180	250	250	230	
	c <sub>3</sub>	10			20	10		20	18	18	35	20	20	18	
	e <sub>3</sub>	130			165	130		165	265	215	215	300	300	265	
	f <sub>3</sub>	4			4	4		4	4.5			6	6	4.5	
	s <sub>3</sub> 4 x	9			M10	9		M10	13.5			17.5	17.5	13.5	
	Required motor shafts	d <sub>3</sub>	28	24	19	24	28	24	24	38	28	38	42	48	38
l <sub>3</sub>		min			30	30		50	80	60	80	110	110	80	
		max.			60	60		50	80	60	80	110	110	80	
U <sub>1</sub>		8	8	6	8	8	8	8	10	8	10	12	14	10	
t <sub>1</sub>		31	27	21.5	27	31	27	27	41	31	41	45	51.5	41	
Gearbox size	Overall length k														
	07	525			545										
	09	606			626	635		655							
	11	682			702	711		731	766	746	766				
	14	806			826	835		855	890	870	890	929	929	899	

Gearbox	Gearbox size				
	o*	o <sub>1</sub>	p*	p <sub>1</sub>	a
05	115	208	156	98	35
06	145	240	194	121	34
07	180	302	245	155	42
09	222	370	304	194	52
11	270	433	378	243	66
14	328	533	470	306	83

Gearbox size	Solid shaft							Output flange						
	d	l	l <sub>1</sub>	l <sub>2</sub>	d <sub>2</sub>	u	t	a <sub>2</sub>	b <sub>2</sub> j7	c <sub>2</sub>	e <sub>2</sub>	f <sub>2</sub>	i <sub>2</sub>	s <sub>2</sub> 4 x 90°
05	25	50	4	40	M10	8	28	120	80	10	100	3	7	
								140	95	10	115	3	9	
								160	110	10	130	3.5	9	
								200	130	12	165	3.5	11	
06	30	60	6	45	M10	8	33	160	110	12	130	3.5	60	9
								200	130		165		11	
07	40	80	7	63	M16	12	43	200	130	14	165	3.5	80	11
								250	180	15	215	4	14	
09	50	100	8	80	M16	14	53.5	250	180	16	215	4	100	14
								300	230	18	265			
11	60	120	8	100	M20	18	64	300	230	18	265	4	120	14
								350	250	20	300	5	18	
14	80	160	15	125	M20	22	85	350	250	22	300	5	160	18
								400	300	24	350			

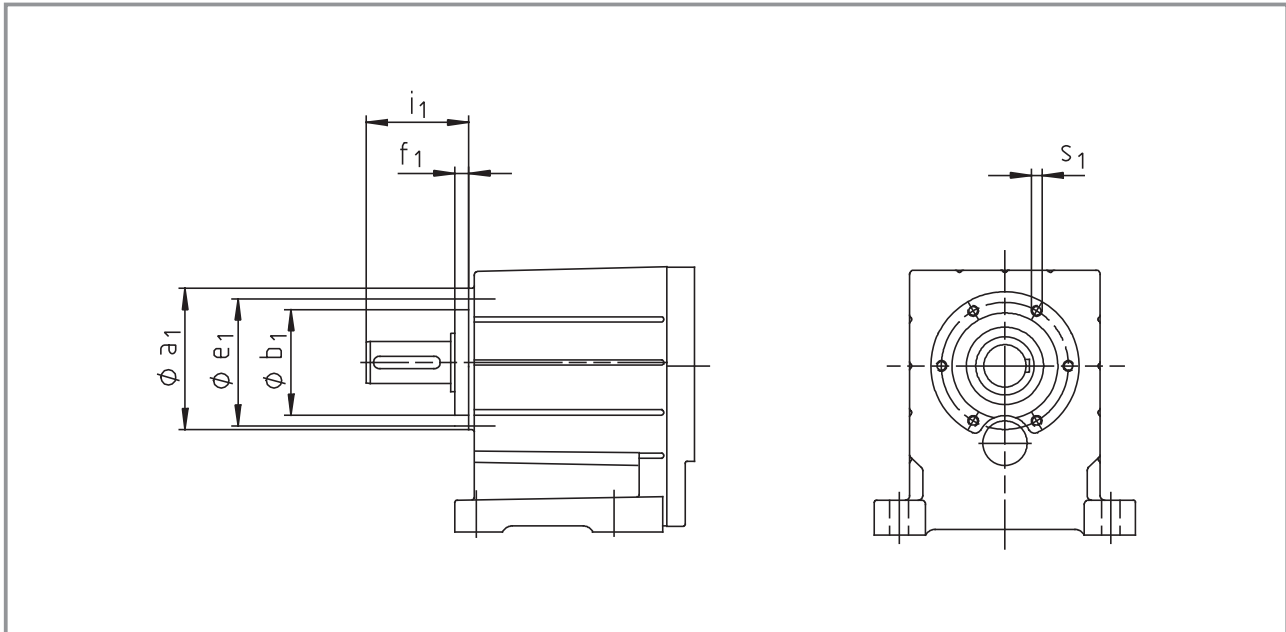
Dimensions in [mm]      d ≤ 50 mm: k6  
d > 50 mm: m6

\* Observe dimension k<sub>2</sub>.

# Helical gearbox dimensions

Other dimensions GST□□-2, -3

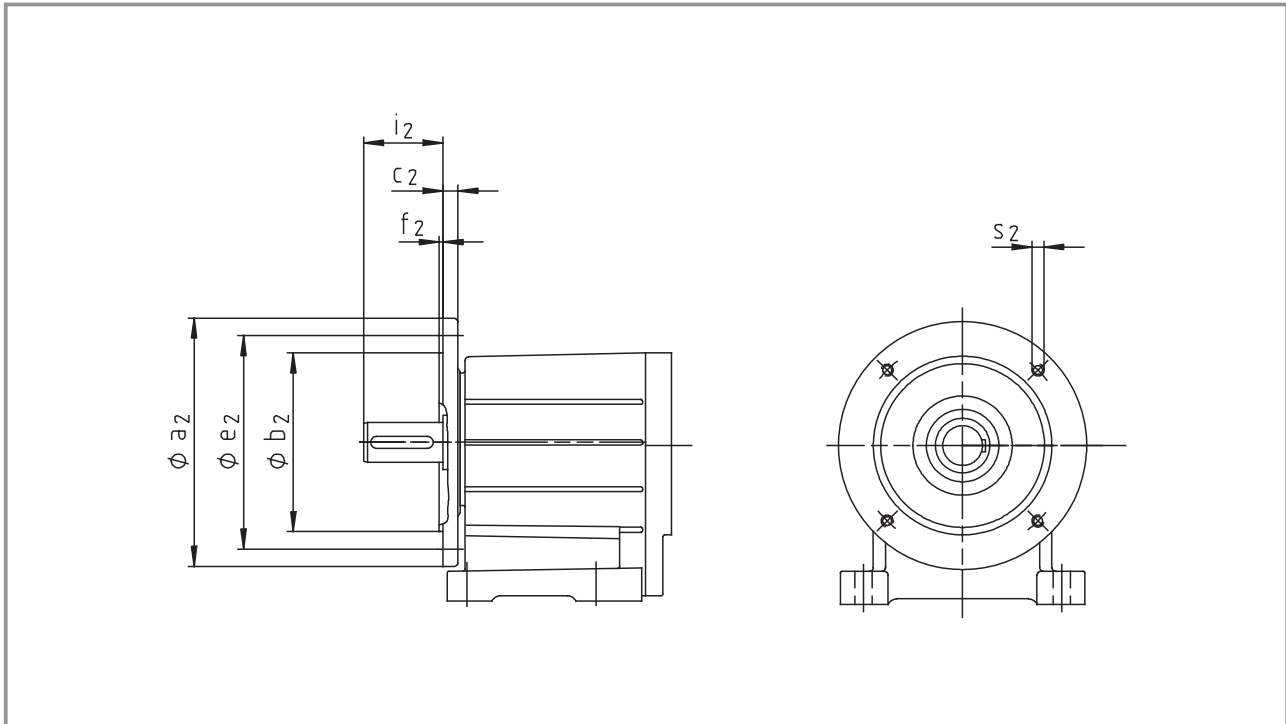
## Output design VAR



Gearbox size	a <sub>1</sub>	b <sub>1</sub> h7	e <sub>1</sub>	f <sub>1</sub>	i <sub>1</sub>	s <sub>1</sub> 6 x 60°
04	72	48	61	8	51	M5x10
05	88	58	74	9	62	M6x12
06	109	70	90	10	74	M8x14
07	140	100	120	13	97	M10x8
09	174	120	145	15	120	M12x20
11	215	150	185	18	143	M16x26
14	265	195	230	22	187	M20x34



### Output design VAL



Gearbox size	$a_2$	$b_2$ j7	$c_2$	$e_2$	$f_2$	$i_2$	$s_2$ 4 x 90°
04	120	80	10	100	3	40	M6
	140	95		M8			
05	120	80	10	100	3	50	M6
	140	95		3	M8		
	160	110		3.5	M8		
06	160	110	12	130	3.5	60	M8
	200	130		M10			
07	200	130	14	165	3.5	80	M10
	250	180	15	215	4		M12
09	250	180	16	215	4	100	M12
	300	230	18	265			
11	300	230	18	265	4	120	M12
	350	250	20	300	5		M16
14	350	250	22	300	5	160	M16
	400	300	24	350			

Dimensions in [mm]

For other dimensions, see the helical geared motor dimensions.





## Technical data

Permissible radial and axial forces	
Output	4-2
Output backlash	4-4
Position of ventilation, sealing elements and oil control	4-5
Compensation reservoir for mounting position C	4-7
Weights	
Geared motors	4-8
Gearboxes with mounting flange	4-9
Additional weights	4-10

## Selection tables

Geared motors for Atex category 2G, 2D, 3G, 3D (zone 1, 21, 2, 22)	4-12
Gearboxes with mounting flange for Atex category 2GD, 3GD (zone 1, 21, 2, 22)	4-24

## Dimensions

Geared motors for Atex category 2G, 2D, 3G, 3D (zone 1, 21, 2, 22)	4-66
Gearboxes with mounting flange for Atex category 2GD, 3GD (zone 1, 21, 2, 22)	4-78
Other dimensions	
Hollow shaft with shrink disc	4-94
Foot mounting	4-96
Rubber buffer set	4-98
Hollow shaft circlip mounting set	4-99
Proposed design for auxiliary tools	4-99

# Technical data - Shaft-mounted helical gearboxes

## Permissible radial and axial forces - Output

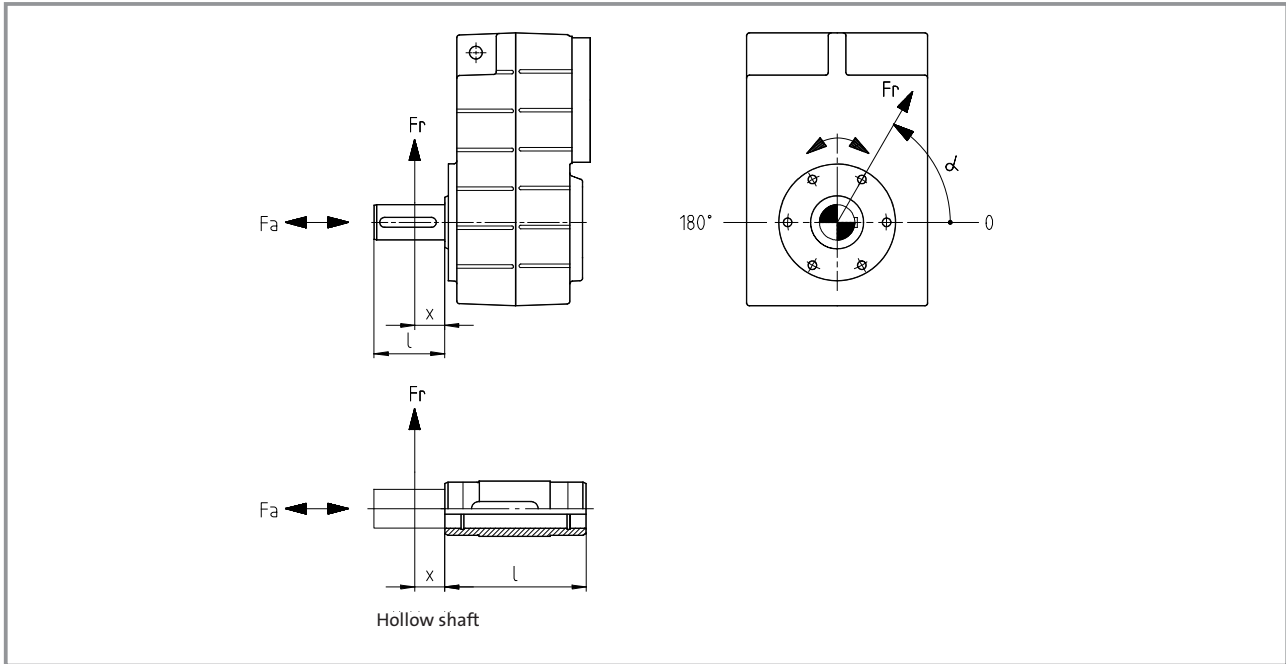
### Permissible radial force

$$F_{rperm} = \min(f_w \cdot f_\alpha \cdot F_{rTab}; f_w \cdot F_{rmax})$$

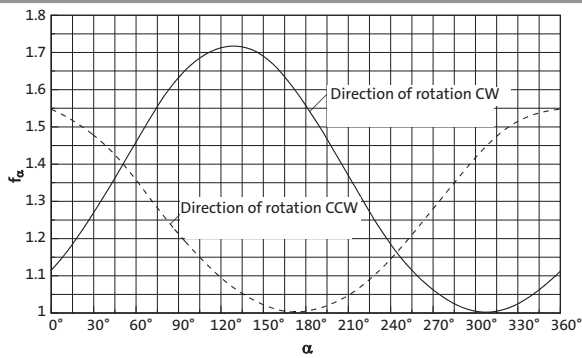
### Permissible axial force

$$F_{aperm} = F_{aTab} \quad \text{at } F_r = 0$$

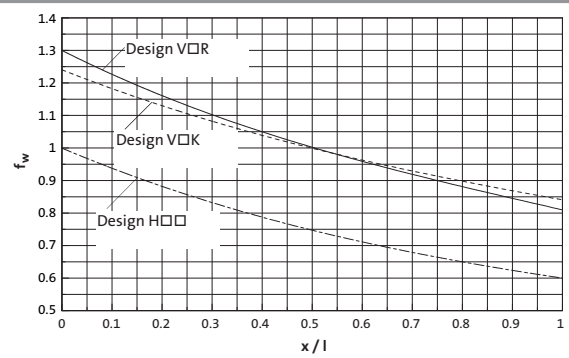
Contact Lenze if  $F_r$  and  $F_a \neq 0$



$f_\alpha$  Effective direction factor at output shaft



$f_w$  Additional load factor at output shaft



# Technical data - Shaft-mounted helical gearboxes

## Permissible radial and axial forces - Output



VCK	Solid shaft with flange													
	Application of force $F_r$ : Centre of shaft journal ( $x = l/2$ )													
	$F_{aTab}$ only valid for $F_r = 0$													
$n_2$ [rpm]	GFL 04		GFL 05		GFL 06		GFL 07		GFL 09		GFL 11		GFL 14	
	$F_{rTab}$ [N]	$F_{aTab}$ [N]	$F_{rTab}$ [N]	$F_{aTab}$ [N]	$F_{rTab}$ [N]	$F_{aTab}$ [N]	$F_{rTab}$ [N]	$F_{aTab}$ [N]	$F_{rTab}$ [N]	$F_{aTab}$ [N]	$F_{rTab}$ [N]	$F_{aTab}$ [N]	$F_{rTab}$ [N]	$F_{aTab}$ [N]
400	2100	1400	2800	2000	4000	2800	4200	4000	5200	4000	8300	4500	12000	4000
250	2400	1700	3400	2600	4600	3600	4900	4300	6000	4300	9600	5600	13300	5300
160	2900	2100	3900	3200	5200	4300	5900	4600	7000	4600	11300	7000	15300	6600
100	3000	2800	4500	4200	6400	5600	7000	6300	9300	6300	14300	11300	18300	8600
63	3000	2900	4600	4400	6600	6600	8000	7600	10000	7600	17300	14600	21300	12600
40	3000	2900	4600	4400	6600	6600	8600	7600	10000	7600	20000	18000	25300	17300
25	3000	2900	4600	4400	6600	6600	9300	7600	10000	7600	20000	18000	28600	23300
≤ 16	3000	2900	4600	4400	6600	6600	9300	7600	10000	7600	20000	18000	28600	23300
$F_{r max}$	3000	–	4900	–	7300	–	10600	–	10600	–	21300	–	30600	–

VDR	Solid shaft without flange													
	Application of force $F_r$ : Centre of shaft journal ( $x = l/2$ )													
	$F_{aTab}$ only valid for $F_r = 0$													
$n_2$ [rpm]	GFL 04		GFL 05		GFL 06		GFL 07		GFL 09*		GFL 11*		GFL 14	
	$F_{rTab}$ [N]	$F_{aTab}$ [N]	$F_{rTab}$ [N]	$F_{aTab}$ [N]	$F_{rTab}$ [N]	$F_{aTab}$ [N]	$F_{rTab}$ [N]	$F_{aTab}$ [N]	$F_{rTab}$ [N]	$F_{aTab}$ [N]	$F_{rTab}$ [N]	$F_{aTab}$ [N]	$F_{rTab}$ [N]	$F_{aTab}$ [N]
400	1500	1400	1600	1800	2100	2600	2100	2200	2500	2000	3600	3100	31300	16600
250	1800	1700	1800	2400	2400	3400	2400	3100	2900	2800	4200	4000	36000	18000
160	2100	2100	2100	2800	2600	4000	2600	4000	3600	3800	4800	5000	41300	19300
100	2400	2800	2600	3900	3400	5600	3400	5600	5300	6600	7400	9300	43300	21300
63	2400	3500	3200	4400	4300	6600	4300	8000	6600	9000	9600	12600	43300	23300
40	2400	3600	3800	4400	5600	6600	5600	9300	8000	11300	11600	16600	43300	23300
25	2400	3600	4100	4400	6000	6600	6000	9300	12000	14000	13600	18000	43300	23300
≤ 16	2400	3600	4100	4400	6000	6600	6000	9300	12000	14000	15300	18000	43300	23300
$F_{r max}$	2400	–	4600	–	7300	–	7300	–	14600	–	18600	–	43300	–

H00	Hollow shaft													
	Application of force $F_r$ : At hollow shaft end face ( $x = 0$ )													
	$F_{aTab}$ only valid for $F_r = 0$													
$n_2$ [rpm]	GFL 04		GFL 05		GFL 06		GFL 07		GFL 09		GFL 11		GFL 14	
	$F_{rTab}$ [N]	$F_{aTab}$ [N]	$F_{rTab}$ [N]	$F_{aTab}$ [N]	$F_{rTab}$ [N]	$F_{aTab}$ [N]	$F_{rTab}$ [N]	$F_{aTab}$ [N]	$F_{rTab}$ [N]	$F_{aTab}$ [N]	$F_{rTab}$ [N]	$F_{aTab}$ [N]	$F_{rTab}$ [N]	$F_{aTab}$ [N]
400	1800	1400	2000	1800	2800	2600	3000	2200	3300	2000	4800	3100	5300	2600
250	2100	1700	2200	2400	3100	3400	3400	3100	4000	2800	5800	4000	6000	3300
160	2500	2100	2700	2800	3300	4000	4200	4000	4800	3800	6600	5000	6300	4100
100	3000	2800	3300	3900	4400	5600	5200	5600	7000	6600	9400	9300	7600	5000
63	3600	3500	4000	4400	5600	6600	6200	8000	8600	9000	12600	12600	9300	7300
40	4200	3600	4700	4400	7200	6600	7600	9300	10000	11300	15300	16600	12000	11600
25	4600	3600	5300	4400	8000	6600	10000	9300	14600	14000	18000	18000	20000	20600
≤ 16	4600	3600	5300	4400	8000	6600	10600	9300	16000	14000	20000	18000	30000	23300
$F_{r max}$	4600	–	6600	–	10000	–	13300	–	20000	–	25300	–	37300	–

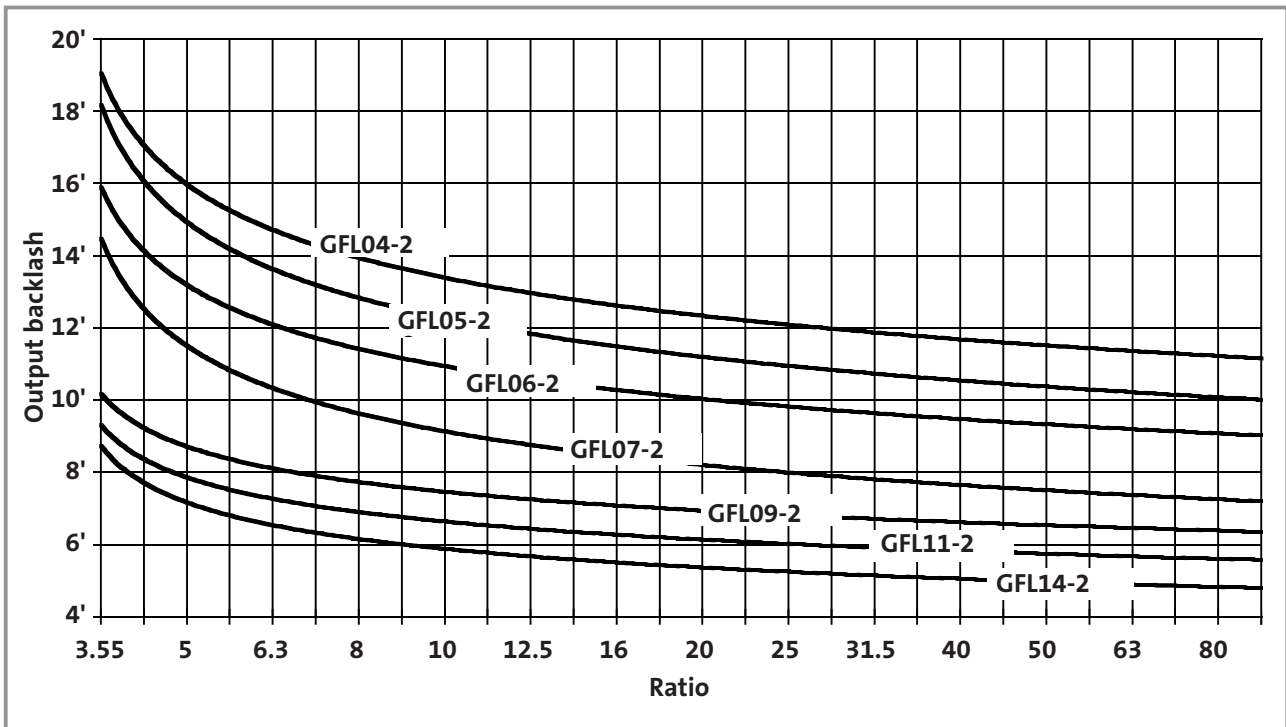
\* A reinforced output shaft bearing is available on request for VDR designs.

Neither radial nor axial forces are permitted on hollow shafts with shrink discs (S□).

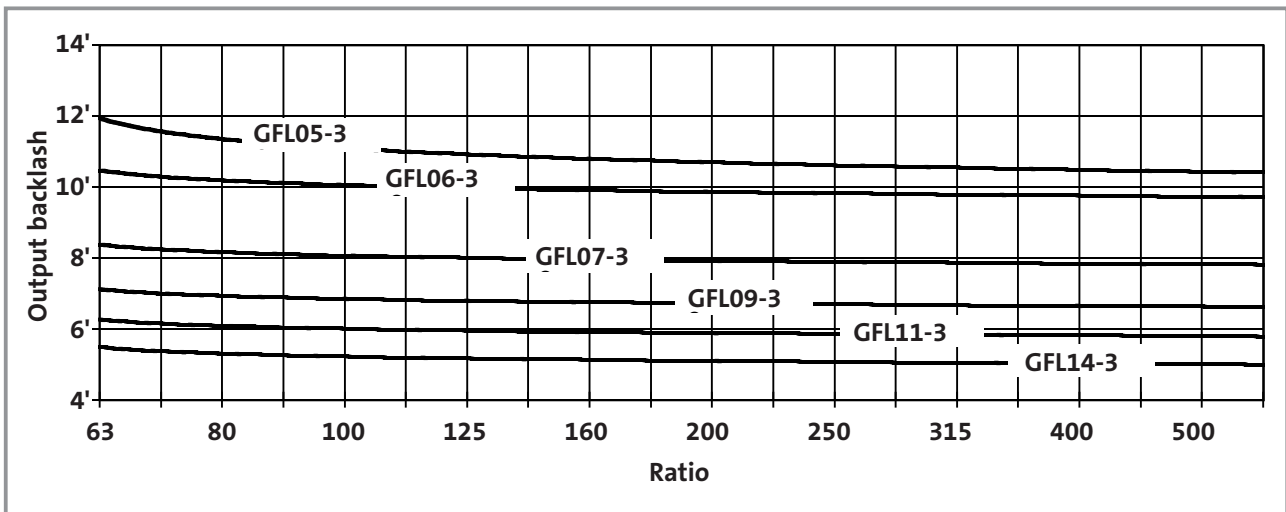
# Technical data - Shaft-mounted helical gearboxes

## Output backlash in angular minutes

GFL00-2



GFL00-3



# Technical data - Shaft-mounted helical gearboxes

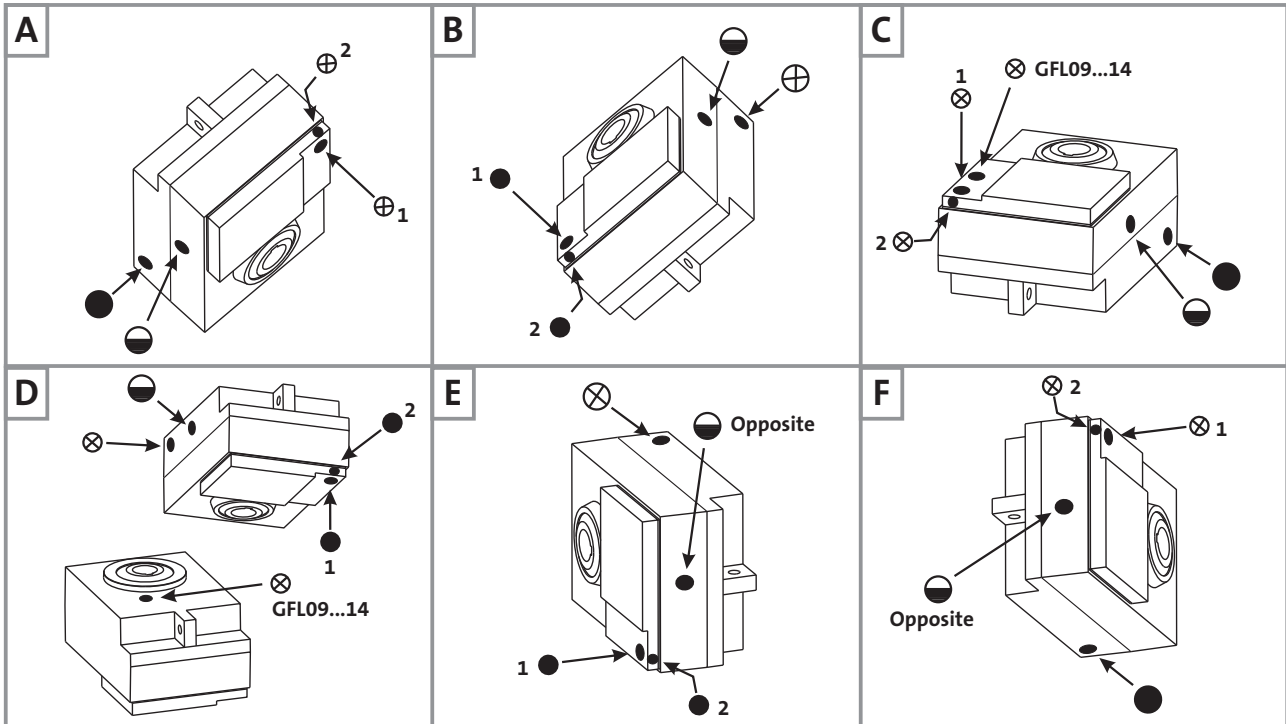
Position of ventilation, sealing elements and oil control



GFL04...14-2 with oil-sight glass

GFL05...07-2 with ventilation (option), oil filler and oil drain plugs

GFL09...14-2 with ventilation, oil filler and oil drain plugs



(A...F) Mounting position  
 ⊗ Ventilation/oil filler plug  
 ● Oil drain plug

◐ Oil-sight glass

Pos. 1 standard

Pos. 2 only with GFL05-2M□□□ 090/100  
 GFL05-2N □□□ □D/□E  
 GFL06-2M□□□ 112  
 GFL07-2N□□□ □H

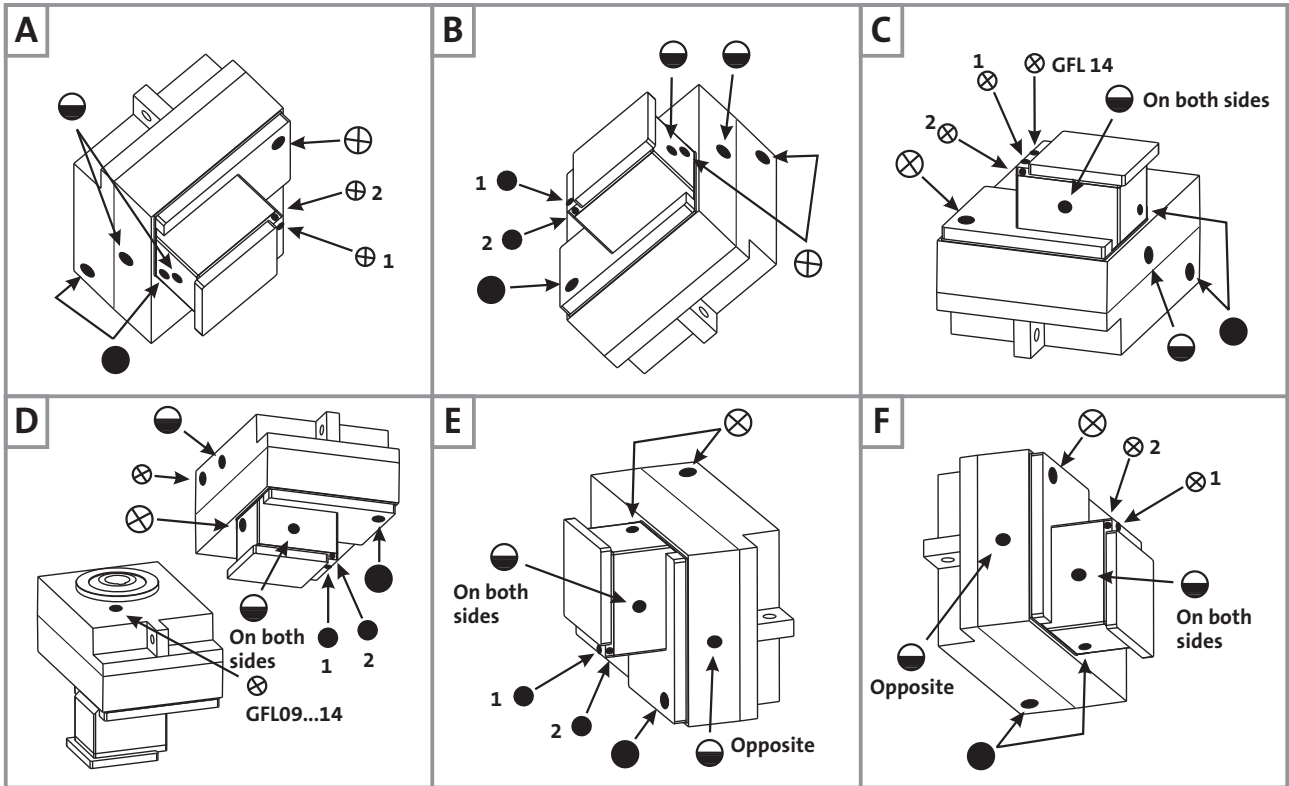
# Technical data - Shaft-mounted helical gearboxes

Position of ventilation, sealing elements and oil control

GFL05...14-3 with oil-sight glass

GFL05...07-3 with ventilation (option), oil filler and oil drain plugs

GFL09...14-3 with ventilation, oil filler and oil drain plugs



(A...F) Mounting position  
 ⊗ Ventilation/oil filler plug  
 ● Oil drain plug

◐ Oil-sight glass

Pos. 1 standard

Pos. 2 only with GFL07-3M□□□ 090/100

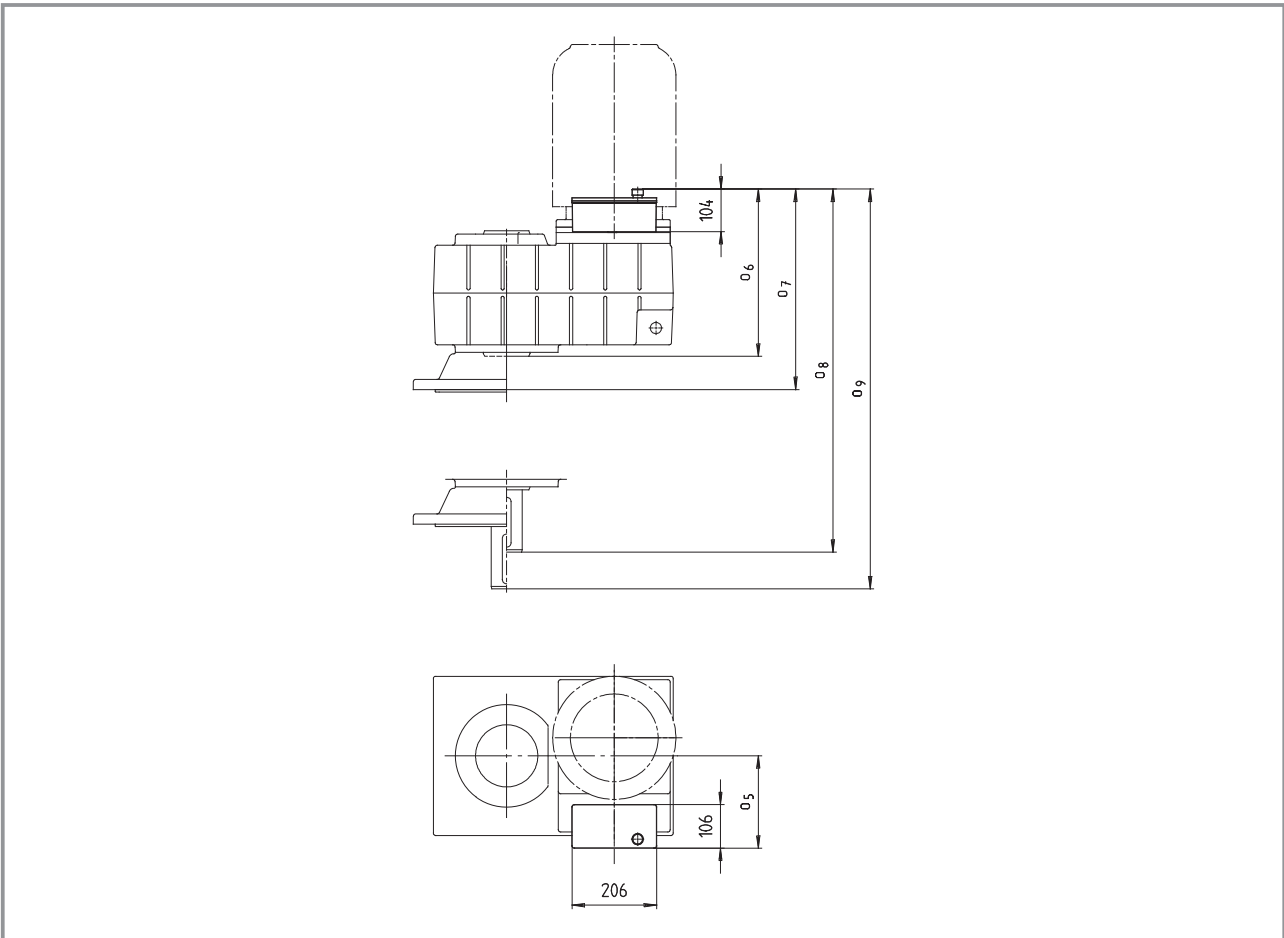
GFL07-3N□□□ □D/□E

GFL09-3M□□□ 112

GFL11-3N□□□ □H

# Technical data - Shaft-mounted helical gearboxes

Reservoir for mounting position C



Shaft-mounted helical gearbox	Motor frame size/drive size			
	090/100	112	□G	□H/□K
GFL□□-2M	□D/□E/□F			
GFL□□-2N				
09	o <sub>5</sub>	165	187	204219
	o <sub>6</sub>	344	344	344
	o <sub>7</sub>	405	405	405
	o <sub>8</sub>	464	464	464
	o <sub>9</sub>	525	525	525
11	o <sub>5</sub>	154	176	200214
	o <sub>6</sub>	387	391	391
	o <sub>7</sub>	448	452	452
	o <sub>8</sub>	547	551	551
	o <sub>9</sub>	608	612	612
14	o <sub>5</sub>		181	211211
	o <sub>6</sub>		446	446
	o <sub>7</sub>		507	507
	o <sub>8</sub>		646	646
	o <sub>9</sub>		707	707

Terminal box position 3 is not permissible.  
Foot in position 3 is not permissible.

### GFL□□-2M HCR/HDR

Gearbox size	Motor frame size					
	063 □□□	071 □□□	080 □□□	090 □□□	100 □□□	112 -22
04	11	13	18	26		
05	24	26	31	39	48	
06	38	40	44	53	62	74
07			70	79	88	100
09				125	134	146
11					219	231
14						373

### GFL□□-3M HCR/HDR

Gearbox size	Motor frame size					
	063 □□□	071 □□□	080 □□□	090 □□□	100 □□□	112 -22
05	25	27	32			
06	42	44	49	56		
07	72	74	78	87	96	
09	123	125	130	138	147	160
11			223	231	240	253
14				388	397	409

Weights in [kg] with oil capacity for mounting position A. All data is approximate.

Note the additional weights on page 4-10.



# Technical data - Shaft-mounted helical gearboxes

## Weights - Gearboxes with mounting flange



### GFL□□-2N HCR/HDR

Gearbox size	Drive size														
	1A	1B 2B	□C	□D	1E 2E 3E	4E	1F 2F	3F	1G 3G	2G	1H	2H	3H	1K	2K
04	9.4	10	13	16											
05		23	26	29	31	35									
06		37	40	43	45	49	47	51							
07			66	69	71	75	73	76	96	93	104		100		
09				115	118	121	119	122	143	140	151	155	147	171	
11					203	206	204	207	226	223	234	238	230	255	262
14									367	364	375	379	371	393	400

### GFL□□-3N HCR/HDR

Gearbox size	Drive size												
	1A	1B 2B	□C	□D	1E 2E 3E	4E	1F 2F	3F	1G 3G	2G	1H	2H	3H
05	23	24	27										
06	40	41	44	47									
07		71	74	77	79	83							
09		122	125	128	131	134	132	136					
11			218	221	224	227	226	229	249	246	257	261	253
14				378	380	384	381	385	405	402	413	417	409

Weights in [kg] with oil capacity for mounting position A. All data is approximate.

Note the additional weights on page 4-10.

### Gearbox additional weights

Gearbox size	Solid shaft V□□	Hollow shaft with shrink disc S□□	Flange □□K	Foot □AD/□BD
04	0.6	0.6	2.5	1.0
05	1.0	0.8	4.0	1.5
06	2.5	1.0	7.0	2.5
07	5.0	1.5	11	4.0
09	8.0	3.0	16	7.0
11	16	5.0	24	14
14	33	11	33	23

Weights in [kg]



# Shaft-mounted helical gearbox selection tables

Geared motors for Atex category 2G, 2D, 3G, 3D (zone 1, 21, 2, 22)

50 Hz			i	Shaft-mounted helical geared motor	Consultation required for mounting position
n <sub>2</sub> [rpm]	M <sub>2</sub> [Nm]	c			

## P<sub>1</sub> = 0.12 kW

196	6	5.2	7.025	GFL04 - 2M□□□ 063-12	
86	13	5.2	16.087	GFL04 - 2M□□□ 063-12	
77	14	5.2	17.920	GFL04 - 2M□□□ 063-12	
67	17	4.8	20.519	GFL04 - 2M□□□ 063-12	
60	18	4.8	22.857	GFL04 - 2M□□□ 063-12	
44	26	5.3	31.600	GFL04 - 2M□□□ 063-12	
39	28	5.3	35.200	GFL04 - 2M□□□ 063-12	
34	33	4.4	40.697	GFL04 - 2M□□□ 063-12	
30	37	4.4	45.333	GFL04 - 2M□□□ 063-12	
27	42	3.7	51.579	GFL04 - 2M□□□ 063-12	
24	46	3.7	57.455	GFL04 - 2M□□□ 063-12	
21	52	3.1	64.636	GFL04 - 2M□□□ 063-12	
19	58	3.1	72.000	GFL04 - 2M□□□ 063-12	
16	69	1.5	85.156	GFL04 - 2M□□□ 063-12	
15	76	1.5	94.857	GFL04 - 2M□□□ 063-12	
14	81	3.3	101.547	GFL05 - 3M□□□ 063-12	
12	91	2.8	114.952	GFL05 - 3M□□□ 063-12	
11	103	2.8	129.524	GFL05 - 3M□□□ 063-12	
9.6	115	3.9	144.320	GFL06 - 3M□□□ 063-12	
8.5	129	4.2	162.583	GFL06 - 3M□□□ 063-12	
7.8	141	2.1	177.027	GFL05 - 3M□□□ 063-12	
6.9	158	2.1	199.467	GFL05 - 3M□□□ 063-12	
6.1	181	1.8	227.989	GFL05 - 3M□□□ 063-12	
6.0	184	2.9	231.200	GFL06 - 3M□□□ 063-12	
5.4	204	1.6	256.889	GFL05 - 3M□□□ 063-12	
5.3	207	3.0	260.457	GFL06 - 3M□□□ 063-12	
4.8	229	1.5	288.948	GFL05 - 3M□□□ 063-12	
4.7	233	2.5	293.018	GFL06 - 3M□□□ 063-12	
4.6	237	2.4	299.200	GFL06 - 3M□□□ 063-12	
4.2	258	1.3	325.576	GFL05 - 3M□□□ 063-12	
3.8	287	1.2	362.100	GFL05 - 3M□□□ 063-12	
3.8	291	2.2	367.200	GFL06 - 3M□□□ 063-12	
3.4	324	1.0	408.000	GFL05 - 3M□□□ 063-12	
3.3	328	1.9	413.667	GFL06 - 3M□□□ 063-12	
2.9	377	1.7	475.200	GFL06 - 3M□□□ 063-12	
2.6	425	1.4	535.333	GFL06 - 3M□□□ 063-12	
2.4	458	1.3	576.720	GFL06 - 3M□□□ 063-12	
2.1	516	1.2	649.700	GFL06 - 3M□□□ 063-12	

## P<sub>1</sub> = 0.18 kW

195	9	3.5	7.025	GFL04 - 2M□□□ 063-32	
85	20	3.5	16.087	GFL04 - 2M□□□ 063-32	
77	22	3.5	17.920	GFL04 - 2M□□□ 063-32	
67	25	3.2	20.519	GFL04 - 2M□□□ 063-32	
60	28	3.2	22.857	GFL04 - 2M□□□ 063-32	
43	39	3.5	31.600	GFL04 - 2M□□□ 063-32	
39	43	3.5	35.200	GFL04 - 2M□□□ 063-32	
34	50	2.9	40.697	GFL04 - 2M□□□ 063-32	
30	55	2.9	45.333	GFL04 - 2M□□□ 063-32	
27	63	2.5	51.579	GFL04 - 2M□□□ 063-32	
24	70	2.5	57.455	GFL04 - 2M□□□ 063-32	
21	79	2.0	64.636	GFL04 - 2M□□□ 063-32	
19	88	2.0	72.000	GFL04 - 2M□□□ 063-32	
14	116	1.0	94.857	GFL04 - 2M□□□ 063-32	
14	122	2.2	101.547	GFL05 - 3M□□□ 063-32	
12	138	1.9	114.952	GFL05 - 3M□□□ 063-32	
12	140	2.9	116.571	GFL06 - 3M□□□ 063-32	
11	155	1.9	129.524	GFL05 - 3M□□□ 063-32	
10	158	3.0	131.323	GFL06 - 3M□□□ 063-32	
9.5	173	2.6	144.320	GFL06 - 3M□□□ 063-32	
8.4	195	2.8	162.583	GFL06 - 3M□□□ 063-32	
7.7	212	1.4	177.027	GFL05 - 3M□□□ 063-32	
7.6	215	2.2	179.520	GFL06 - 3M□□□ 063-32	
6.9	239	1.4	199.467	GFL05 - 3M□□□ 063-32	
6.8	243	2.3	202.237	GFL06 - 3M□□□ 063-32	
6.0	273	1.2	227.989	GFL05 - 3M□□□ 063-32	
5.9	277	1.9	231.200	GFL06 - 3M□□□ 063-32	
5.3	308	1.1	256.889	GFL05 - 3M□□□ 063-32	
5.3	312	2.0	260.457	GFL06 - 3M□□□ 063-32	

For dimensions, see page 4-66 onwards.

# Shaft-mounted helical gearbox selection tables

Geared motors for Atex category 2G, 2D, 3G, 3D (zone 1, 21, 2, 22)



50 Hz			i	Shaft-mounted helical geared motor	Consultation required for mounting position
n <sub>2</sub> [rpm]	M <sub>2</sub> [Nm]	c			
<b>P<sub>1</sub> = 0.18 kW</b>					
4.7	351	1.7	293.018	GFL06 - 3M□□□ 063-32	
4.6	359	1.6	299.200	GFL06 - 3M□□□ 063-32	
3.7	440	1.4	367.200	GFL06 - 3M□□□ 063-32	
3.3	496	1.2	413.667	GFL06 - 3M□□□ 063-32	
2.9	570	1.2	475.200	GFL06 - 3M□□□ 063-32	
<b>P<sub>1</sub> = 0.25 kW</b>					
369	6	5.6	3.659	GFL04 - 2M□□□ 071-12	
269	9	5.6	5.018	GFL04 - 2M□□□ 071-12	
231	10	5.6	5.833	GFL04 - 2M□□□ 071-12	
211	11	5.6	6.400	GFL05 - 2M□□□ 071-12	
161	14	5.6	8.379	GFL04 - 2M□□□ 071-12	
145	16	5.6	9.333	GFL04 - 2M□□□ 071-12	
118	20	5.6	11.491	GFL04 - 2M□□□ 071-12	
106	22	5.6	12.800	GFL04 - 2M□□□ 071-12	
85	27	5.6	15.904	GFL05 - 2M□□□ 071-12	
75	31	5.4	17.920	GFL04 - 2M□□□ 071-12	
66	35	5.2	20.519	GFL04 - 2M□□□ 071-12	
59	39	4.3	22.857	GFL04 - 2M□□□ 071-12	
54	43	4.2	25.136	GFL04 - 2M□□□ 071-12	
48	48	3.5	28.000	GFL04 - 2M□□□ 071-12	
43	54	3.4	31.600	GFL04 - 2M□□□ 071-12	
38	60	2.8	35.200	GFL04 - 2M□□□ 071-12	
33	70	2.7	40.697	GFL04 - 2M□□□ 071-12	
30	78	2.2	45.333	GFL04 - 2M□□□ 071-12	
26	89	2.1	51.579	GFL04 - 2M□□□ 071-12	
24	99	1.8	57.455	GFL04 - 2M□□□ 071-12	
23	101	3.2	58.667	GFL05 - 2M□□□ 071-12	
21	108	2.6	63.190	GFL05 - 2M□□□ 071-12	
21	111	1.5	64.636	GFL04 - 2M□□□ 071-12	
19	122	2.5	71.200	GFL05 - 2M□□□ 071-12	
19	124	1.4	72.000	GFL04 - 2M□□□ 071-12	
17	139	3.1	81.000	GFL06 - 2M□□□ 071-12	
17	139	1.6	80.763	GFL05 - 2M□□□ 071-12	
15	157	3.0	91.250	GFL06 - 2M□□□ 071-12	
15	156	1.5	91.000	GFL05 - 2M□□□ 071-12	
15	156	4.7	92.413	GFL07 - 3M□□□ 071-12	
14	168	2.5	99.361	GFL06 - 3M□□□ 071-12	
13	172	1.6	101.547	GFL05 - 3M□□□ 071-12	
12	194	1.3	114.952	GFL05 - 3M□□□ 071-12	
12	197	2.1	116.571	GFL06 - 3M□□□ 071-12	
10	219	1.3	129.524	GFL05 - 3M□□□ 071-12	
10	222	2.1	131.323	GFL06 - 3M□□□ 071-12	
9.6	238	1.2	140.817	GFL05 - 3M□□□ 071-12	
9.4	244	1.8	144.320	GFL06 - 3M□□□ 071-12	
8.5	268	1.2	158.667	GFL05 - 3M□□□ 071-12	
8.3	275	2.0	162.583	GFL06 - 3M□□□ 071-12	
7.6	299	1.0	177.027	GFL05 - 3M□□□ 071-12	
7.5	303	1.6	179.520	GFL06 - 3M□□□ 071-12	
7.4	310	3.2	183.285	GFL07 - 3M□□□ 071-12	
6.7	342	1.7	202.237	GFL06 - 3M□□□ 071-12	
6.5	349	3.2	206.519	GFL07 - 3M□□□ 071-12	
6.0	380	2.8	224.636	GFL07 - 3M□□□ 071-12	
5.8	391	1.4	231.200	GFL06 - 3M□□□ 071-12	
5.3	428	2.8	253.111	GFL07 - 3M□□□ 071-12	
5.2	440	1.4	260.457	GFL06 - 3M□□□ 071-12	
4.6	491	2.4	290.706	GFL07 - 3M□□□ 071-12	
4.6	495	1.2	293.018	GFL06 - 3M□□□ 071-12	
4.5	506	1.1	299.200	GFL06 - 3M□□□ 071-12	
4.1	554	2.3	327.556	GFL07 - 3M□□□ 071-12	
3.8	596	2.1	352.811	GFL07 - 3M□□□ 071-12	
3.7	621	1.0	367.200	GFL06 - 3M□□□ 071-12	
3.4	672	1.9	397.533	GFL07 - 3M□□□ 071-12	
3.1	727	1.7	430.222	GFL07 - 3M□□□ 071-12	
2.6	870	3.1	514.881	GFL09 - 3M□□□ 071-12	
2.6	882	1.4	522.133	GFL07 - 3M□□□ 071-12	
2.4	937	2.3	554.470	GFL09 - 3M□□□ 071-12	
2.4	950	1.2	562.391	GFL07 - 3M□□□ 071-12	
2.2	1056	2.2	624.879	GFL09 - 3M□□□ 071-12	

For dimensions, see page 4-66 onwards.

# Shaft-mounted helical gearbox selection tables

Geared motors for Atex category 2G, 2D, 3G, 3D (zone 1, 21, 2, 22)

50 Hz			i	Shaft-mounted helical geared motor	Consultation required for mounting position
n <sub>2</sub> [rpm]	M <sub>2</sub> [Nm]	c			
<b>P<sub>1</sub> = 0.25 kW</b>					
2.1	1071	1.1	633.680	GFL07 - 3M□□□ 071-12	
1.9	1185	1.8	700.875	GFL09 - 3M□□□ 071-12	
1.7	1335	1.7	789.875	GFL09 - 3M□□□ 071-12	
<b>P<sub>1</sub> = 0.37 kW</b>					
369	9	3.8	3.659	GFL04 - 2M□□□ 071-32	
269	13	3.8	5.018	GFL04 - 2M□□□ 071-32	
231	15	3.8	5.833	GFL04 - 2M□□□ 071-32	
211	16	3.8	6.400	GFL05 - 2M□□□ 071-32	
192	18	4.3	7.025	GFL04 - 2M□□□ 071-32	
161	21	3.8	8.379	GFL04 - 2M□□□ 071-32	
145	24	3.8	9.333	GFL04 - 2M□□□ 071-32	
132	26	4.4	10.238	GFL04 - 2M□□□ 071-32	
118	29	3.8	11.491	GFL04 - 2M□□□ 071-32	
106	33	3.8	12.800	GFL04 - 2M□□□ 071-32	
92	37	4.4	14.706	GFL04 - 2M□□□ 071-32	
85	40	3.8	15.904	GFL05 - 2M□□□ 071-32	
75	46	3.7	17.920	GFL04 - 2M□□□ 071-32	
66	52	3.5	20.519	GFL04 - 2M□□□ 071-32	
59	58	2.9	22.857	GFL04 - 2M□□□ 071-32	
54	64	2.9	25.136	GFL04 - 2M□□□ 071-32	
48	71	2.4	28.000	GFL04 - 2M□□□ 071-32	
43	80	2.3	31.600	GFL04 - 2M□□□ 071-32	
38	89	1.9	35.200	GFL04 - 2M□□□ 071-32	
34	102	3.0	40.233	GFL05 - 2M□□□ 071-32	
33	103	1.8	40.697	GFL04 - 2M□□□ 071-32	
30	115	1.5	45.333	GFL04 - 2M□□□ 071-32	
30	115	2.8	45.333	GFL05 - 2M□□□ 071-32	
26	131	1.5	51.579	GFL04 - 2M□□□ 071-32	
26	132	2.3	52.067	GFL05 - 2M□□□ 071-32	
26	134	3.0	52.800	GFL06 - 2M□□□ 071-32	
24	146	1.2	57.455	GFL04 - 2M□□□ 071-32	
23	149	2.2	58.667	GFL05 - 2M□□□ 071-32	
23	151	3.0	59.481	GFL06 - 2M□□□ 071-32	
21	161	1.8	63.190	GFL05 - 2M□□□ 071-32	
21	163	2.7	64.080	GFL06 - 2M□□□ 071-32	
19	181	1.7	71.200	GFL05 - 2M□□□ 071-32	
19	183	2.7	72.189	GFL06 - 2M□□□ 071-32	
17	206	2.1	81.000	GFL06 - 2M□□□ 071-32	
17	205	1.1	80.763	GFL05 - 2M□□□ 071-32	
15	232	2.1	91.250	GFL06 - 2M□□□ 071-32	
15	231	1.0	91.000	GFL05 - 2M□□□ 071-32	
15	231	3.2	92.413	GFL07 - 3M□□□ 071-32	
14	249	1.7	99.361	GFL06 - 3M□□□ 071-32	
13	254	1.1	101.547	GFL05 - 3M□□□ 071-32	
13	260	3.2	104.127	GFL07 - 3M□□□ 071-32	
12	292	1.4	116.571	GFL06 - 3M□□□ 071-32	
10	329	1.4	131.323	GFL06 - 3M□□□ 071-32	
9.4	361	1.2	144.320	GFL06 - 3M□□□ 071-32	
9.2	369	2.4	147.347	GFL07 - 3M□□□ 071-32	
8.3	407	1.3	162.583	GFL06 - 3M□□□ 071-32	
8.1	415	2.4	166.025	GFL07 - 3M□□□ 071-32	
7.5	449	1.1	179.520	GFL06 - 3M□□□ 071-32	
7.4	458	2.1	183.285	GFL07 - 3M□□□ 071-32	
6.7	506	1.1	202.237	GFL06 - 3M□□□ 071-32	
6.5	517	2.1	206.519	GFL07 - 3M□□□ 071-32	
6.0	562	1.9	224.636	GFL07 - 3M□□□ 071-32	
5.3	633	1.9	253.111	GFL07 - 3M□□□ 071-32	
4.6	728	2.8	290.889	GFL09 - 3M□□□ 071-32	
4.6	727	1.6	290.706	GFL07 - 3M□□□ 071-32	
4.1	820	2.8	327.827	GFL09 - 3M□□□ 071-32	
4.1	819	1.5	327.556	GFL07 - 3M□□□ 071-32	
3.8	882	1.4	352.811	GFL07 - 3M□□□ 071-32	
3.8	883	2.5	353.033	GFL09 - 3M□□□ 071-32	
3.4	994	1.3	397.533	GFL07 - 3M□□□ 071-32	
3.4	995	2.5	397.863	GFL09 - 3M□□□ 071-32	
3.2	1061	2.4	424.247	GFL09 - 3M□□□ 071-32	
3.1	1076	1.2	430.222	GFL07 - 3M□□□ 071-32	
2.6	1288	2.1	514.881	GFL09 - 3M□□□ 071-32	

For dimensions, see page 4-66 onwards.

# Shaft-mounted helical gearbox selection tables

Geared motors for Atex category 2G, 2D, 3G, 3D (zone 1, 21, 2, 22)



50 Hz			i	Shaft-mounted helical geared motor	Consultation required for mounting position
n <sub>2</sub> [rpm]	M <sub>2</sub> [Nm]	c			
<b>P<sub>1</sub> = 0.37 kW</b>					
2.4	1387	1.5	554.470	GFL09 - 3M□□□ 071-32	
2.2	1563	1.5	624.879	GFL09 - 3M□□□ 071-32	
1.9	1753	1.2	700.875	GFL09 - 3M□□□ 071-32	
1.7	1976	1.2	789.875	GFL09 - 3M□□□ 071-32	

<b>P<sub>1</sub> = 0.55 kW</b>					
374	14	5.5	3.659	GFL04 - 2M□□□ 080-12	
273	19	5.5	5.018	GFL04 - 2M□□□ 080-12	
235	22	5.5	5.833	GFL04 - 2M□□□ 080-12	
213	24	4.7	6.422	GFL04 - 2M□□□ 080-12	
195	26	4.3	7.025	GFL04 - 2M□□□ 080-12	
164	31	5.5	8.379	GFL04 - 2M□□□ 080-12	
147	35	4.8	9.333	GFL04 - 2M□□□ 080-12	
134	38	4.2	10.238	GFL04 - 2M□□□ 080-12	
119	43	4.2	11.491	GFL04 - 2M□□□ 080-12	
107	48	3.5	12.800	GFL04 - 2M□□□ 080-12	
93	55	3.3	14.706	GFL04 - 2M□□□ 080-12	
85	60	3.0	16.087	GFL04 - 2M□□□ 080-12	
77	67	2.5	17.920	GFL04 - 2M□□□ 080-12	
67	76	2.4	20.519	GFL04 - 2M□□□ 080-12	
60	85	2.0	22.857	GFL04 - 2M□□□ 080-12	
60	85	3.2	22.857	GFL05 - 2M□□□ 080-12	
55	92	3.1	24.850	GFL05 - 2M□□□ 080-12	
55	94	2.0	25.136	GFL04 - 2M□□□ 080-12	
49	104	1.6	28.000	GFL04 - 2M□□□ 080-12	
49	104	2.8	28.000	GFL05 - 2M□□□ 080-12	
43	118	1.6	31.600	GFL04 - 2M□□□ 080-12	
42	120	2.6	32.344	GFL05 - 2M□□□ 080-12	
39	131	1.3	35.200	GFL04 - 2M□□□ 080-12	
38	136	2.3	36.444	GFL05 - 2M□□□ 080-12	
34	150	2.2	40.233	GFL05 - 2M□□□ 080-12	
34	151	1.2	40.697	GFL04 - 2M□□□ 080-12	
30	169	1.0	45.333	GFL04 - 2M□□□ 080-12	
30	169	1.9	45.333	GFL05 - 2M□□□ 080-12	
26	194	1.6	52.067	GFL05 - 2M□□□ 080-12	
26	196	3.1	52.800	GFL06 - 2M□□□ 080-12	
23	218	1.5	58.667	GFL05 - 2M□□□ 080-12	
23	221	2.8	59.481	GFL06 - 2M□□□ 080-12	
22	235	1.2	63.190	GFL05 - 2M□□□ 080-12	
21	238	2.4	64.080	GFL06 - 2M□□□ 080-12	
19	265	1.2	71.200	GFL05 - 2M□□□ 080-12	
19	269	2.3	72.189	GFL06 - 2M□□□ 080-12	
17	297	2.6	79.875	GFL07 - 2M□□□ 080-12	
17	301	1.4	81.000	GFL06 - 2M□□□ 080-12	
15	335	2.6	90.000	GFL07 - 2M□□□ 080-12	
15	339	1.4	91.250	GFL06 - 2M□□□ 080-12	
15	339	2.2	92.413	GFL07 - 3M□□□ 080-12	
14	364	1.1	99.361	GFL06 - 3M□□□ 080-12	
13	382	2.2	104.127	GFL07 - 3M□□□ 080-12	
12	415	1.9	113.206	GFL07 - 3M□□□ 080-12	
11	467	1.9	127.556	GFL07 - 3M□□□ 080-12	
9.3	540	1.7	147.347	GFL07 - 3M□□□ 080-12	
9.2	545	2.9	148.815	GFL09 - 3M□□□ 080-12	
8.3	608	1.7	166.025	GFL07 - 3M□□□ 080-12	
8.2	614	2.9	167.712	GFL09 - 3M□□□ 080-12	
7.5	672	1.5	183.285	GFL07 - 3M□□□ 080-12	
7.4	678	2.6	185.111	GFL09 - 3M□□□ 080-12	
6.6	757	1.5	206.519	GFL07 - 3M□□□ 080-12	
6.6	764	2.6	208.617	GFL09 - 3M□□□ 080-12	
6.1	823	1.3	224.636	GFL07 - 3M□□□ 080-12	
6.1	824	2.2	224.778	GFL09 - 3M□□□ 080-12	
5.4	928	2.2	253.321	GFL09 - 3M□□□ 080-12	
5.4	927	1.3	253.111	GFL07 - 3M□□□ 080-12	
4.7	1066	1.9	290.889	GFL09 - 3M□□□ 080-12	
4.7	1065	1.1	290.706	GFL07 - 3M□□□ 080-12	
4.2	1201	1.9	327.827	GFL09 - 3M□□□ 080-12	
4.2	1200	1.0	327.556	GFL07 - 3M□□□ 080-12	
3.9	1293	1.7	353.033	GFL09 - 3M□□□ 080-12	
3.8	1312	3.2	358.077	GFL11 - 3M□□□ 080-12	

For dimensions, see page 4-66 onwards.

# Shaft-mounted helical gearbox selection tables

Geared motors for Atex category 2G, 2D, 3G, 3D (zone 1, 21, 2, 22)

50 Hz			i	Shaft-mounted helical geared motor	Consultation required for mounting position
n <sub>2</sub> [rpm]	M <sub>2</sub> [Nm]	c			
<b>P<sub>1</sub> = 0.55 kW</b>					
3.4	1458	1.7	397.863	GFL09 - 3M□□□ 080-12	
3.4	1478	3.2	403.467	GFL11 - 3M□□□ 080-12	
3.2	1554	1.6	424.247	GFL09 - 3M□□□ 080-12	
3.2	1576	3.0	430.222	GFL11 - 3M□□□ 080-12	
2.7	1886	1.4	514.881	GFL09 - 3M□□□ 080-12	
2.6	1913	2.7	522.133	GFL11 - 3M□□□ 080-12	
2.5	2031	1.0	554.470	GFL09 - 3M□□□ 080-12	
2.4	2060	2.3	562.391	GFL11 - 3M□□□ 080-12	
2.2	2322	2.3	633.680	GFL11 - 3M□□□ 080-12	
1.9	2605	2.0	710.888	GFL11 - 3M□□□ 080-12	
1.7	2935	2.0	801.000	GFL11 - 3M□□□ 080-12	
<b>P<sub>1</sub> = 0.75 kW</b>					
374	19	4.0	3.659	GFL04 - 2M□□□ 080-32	
273	26	4.0	5.018	GFL04 - 2M□□□ 080-32	
235	30	4.0	5.833	GFL04 - 2M□□□ 080-32	
213	33	3.5	6.422	GFL04 - 2M□□□ 080-32	
195	36	3.2	7.025	GFL04 - 2M□□□ 080-32	
164	43	4.0	8.379	GFL04 - 2M□□□ 080-32	
147	47	3.5	9.333	GFL04 - 2M□□□ 080-32	
134	52	3.1	10.238	GFL04 - 2M□□□ 080-32	
119	58	3.1	11.491	GFL04 - 2M□□□ 080-32	
107	65	2.6	12.800	GFL04 - 2M□□□ 080-32	
93	75	2.4	14.706	GFL04 - 2M□□□ 080-32	
86	81	3.1	15.904	GFL05 - 2M□□□ 080-32	
85	82	2.2	16.087	GFL04 - 2M□□□ 080-32	
77	91	1.8	17.920	GFL04 - 2M□□□ 080-32	
77	91	2.8	17.920	GFL05 - 2M□□□ 080-32	
68	103	2.6	20.286	GFL05 - 2M□□□ 080-32	
67	104	1.8	20.519	GFL04 - 2M□□□ 080-32	
60	116	1.4	22.857	GFL04 - 2M□□□ 080-32	
60	116	2.4	22.857	GFL05 - 2M□□□ 080-32	
55	126	2.3	24.850	GFL05 - 2M□□□ 080-32	
55	128	1.4	25.136	GFL04 - 2M□□□ 080-32	
49	142	1.2	28.000	GFL04 - 2M□□□ 080-32	
49	142	2.1	28.000	GFL05 - 2M□□□ 080-32	
43	160	1.2	31.600	GFL04 - 2M□□□ 080-32	
42	164	1.9	32.344	GFL05 - 2M□□□ 080-32	
38	185	1.7	36.444	GFL05 - 2M□□□ 080-32	
34	204	1.6	40.233	GFL05 - 2M□□□ 080-32	
34	207	2.8	40.800	GFL06 - 2M□□□ 080-32	
30	230	1.4	45.333	GFL05 - 2M□□□ 080-32	
30	233	2.6	45.963	GFL06 - 2M□□□ 080-32	
26	264	1.2	52.067	GFL05 - 2M□□□ 080-32	
26	264	2.8	52.067	GFL07 - 2M□□□ 080-32	
26	268	2.3	52.800	GFL06 - 2M□□□ 080-32	
23	298	1.1	58.667	GFL05 - 2M□□□ 080-32	
23	298	2.8	58.667	GFL07 - 2M□□□ 080-32	
23	302	2.0	59.481	GFL06 - 2M□□□ 080-32	
22	321	2.4	63.190	GFL07 - 2M□□□ 080-32	
21	325	1.8	64.080	GFL06 - 2M□□□ 080-32	
19	361	2.4	71.200	GFL07 - 2M□□□ 080-32	
19	366	1.7	72.189	GFL06 - 2M□□□ 080-32	
17	405	1.9	79.875	GFL07 - 2M□□□ 080-32	
17	411	1.1	81.000	GFL06 - 2M□□□ 080-32	
15	457	1.9	90.000	GFL07 - 2M□□□ 080-32	
15	463	1.0	91.250	GFL06 - 2M□□□ 080-32	
15	462	1.6	92.413	GFL07 - 3M□□□ 080-32	
15	466	2.8	93.333	GFL09 - 3M□□□ 080-32	
13	520	1.6	104.127	GFL07 - 3M□□□ 080-32	
13	526	2.8	105.185	GFL09 - 3M□□□ 080-32	
12	566	1.4	113.206	GFL07 - 3M□□□ 080-32	
11	637	1.4	127.556	GFL07 - 3M□□□ 080-32	
9.3	736	1.2	147.347	GFL07 - 3M□□□ 080-32	
9.2	744	2.1	148.815	GFL09 - 3M□□□ 080-32	
8.3	830	1.2	166.025	GFL07 - 3M□□□ 080-32	
8.2	838	2.1	167.712	GFL09 - 3M□□□ 080-32	
7.5	916	1.1	183.285	GFL07 - 3M□□□ 080-32	
7.4	925	1.9	185.111	GFL09 - 3M□□□ 080-32	

For dimensions, see page 4-66 onwards.



# Shaft-mounted helical gearbox selection tables

Geared motors for Atex category 2G, 2D, 3G, 3D (zone 1, 21, 2, 22)



50 Hz			i	Shaft-mounted helical geared motor	Consultation required for mounting position
n <sub>2</sub> [rpm]	M <sub>2</sub> [Nm]	c			

## P<sub>1</sub> = 0.75 kW

6.6	1032	1.1	206.519	GFL07 - 3M□□□ 080-32	
6.6	1042	1.9	208.617	GFL09 - 3M□□□ 080-32	
6.1	1123	1.6	224.778	GFL09 - 3M□□□ 080-32	
5.4	1266	1.6	253.321	GFL09 - 3M□□□ 080-32	
4.7	1453	1.4	290.889	GFL09 - 3M□□□ 080-32	
4.2	1638	1.4	327.827	GFL09 - 3M□□□ 080-32	
3.9	1764	1.3	353.033	GFL09 - 3M□□□ 080-32	
3.8	1789	2.4	358.077	GFL11 - 3M□□□ 080-32	
3.4	1988	1.3	397.863	GFL09 - 3M□□□ 080-32	
3.4	2016	2.4	403.467	GFL11 - 3M□□□ 080-32	
3.2	2120	1.2	424.247	GFL09 - 3M□□□ 080-32	
3.2	2149	2.2	430.222	GFL11 - 3M□□□ 080-32	
2.7	2572	1.0	514.881	GFL09 - 3M□□□ 080-32	
2.6	2609	2.0	522.133	GFL11 - 3M□□□ 080-32	
2.4	2810	1.7	562.391	GFL11 - 3M□□□ 080-32	
2.2	3166	1.7	633.680	GFL11 - 3M□□□ 080-32	
1.9	3552	1.5	710.888	GFL11 - 3M□□□ 080-32	
1.7	4002	1.5	801.000	GFL11 - 3M□□□ 080-32	

## P<sub>1</sub> = 1.1 kW

384	27	4.0	3.659	GFL04 - 2M□□□ 090-12	
307	33	5.1	4.571	GFL05 - 2M□□□ 090-12	
280	36	3.1	5.018	GFL04 - 2M□□□ 090-12	
241	42	3.6	5.833	GFL04 - 2M□□□ 090-12	
219	47	2.4	6.422	GFL04 - 2M□□□ 090-12	
200	51	2.2	7.025	GFL04 - 2M□□□ 090-12	
168	61	2.9	8.379	GFL04 - 2M□□□ 090-12	
151	68	2.4	9.333	GFL04 - 2M□□□ 090-12	
141	72	3.1	9.946	GFL05 - 2M□□□ 090-12	
137	74	2.1	10.238	GFL04 - 2M□□□ 090-12	
124	82	2.7	11.360	GFL05 - 2M□□□ 090-12	
122	83	2.2	11.491	GFL04 - 2M□□□ 090-12	
110	93	1.8	12.800	GFL04 - 2M□□□ 090-12	
110	93	2.5	12.800	GFL05 - 2M□□□ 090-12	
97	106	2.3	14.538	GFL05 - 2M□□□ 090-12	
96	107	1.7	14.706	GFL04 - 2M□□□ 090-12	
88	115	2.2	15.904	GFL05 - 2M□□□ 090-12	
87	117	1.6	16.087	GFL04 - 2M□□□ 090-12	
78	130	1.3	17.920	GFL04 - 2M□□□ 090-12	
78	130	2.0	17.920	GFL05 - 2M□□□ 090-12	
69	147	1.8	20.286	GFL05 - 2M□□□ 090-12	
69	149	1.2	20.519	GFL04 - 2M□□□ 090-12	
62	166	1.0	22.857	GFL04 - 2M□□□ 090-12	
62	166	1.7	22.857	GFL05 - 2M□□□ 090-12	
57	180	1.6	24.850	GFL05 - 2M□□□ 090-12	
56	182	1.0	25.136	GFL04 - 2M□□□ 090-12	
50	203	1.4	28.000	GFL05 - 2M□□□ 090-12	
50	206	2.9	28.389	GFL06 - 2M□□□ 090-12	
43	235	1.3	32.344	GFL05 - 2M□□□ 090-12	
43	238	2.7	32.800	GFL06 - 2M□□□ 090-12	
39	264	1.2	36.444	GFL05 - 2M□□□ 090-12	
38	268	2.3	36.951	GFL06 - 2M□□□ 090-12	
35	292	1.1	40.233	GFL05 - 2M□□□ 090-12	
34	296	2.2	40.800	GFL06 - 2M□□□ 090-12	
31	333	1.8	45.963	GFL06 - 2M□□□ 090-12	
27	378	2.6	52.067	GFL07 - 2M□□□ 090-12	
27	383	1.7	52.800	GFL06 - 2M□□□ 090-12	
24	426	2.6	58.667	GFL07 - 2M□□□ 090-12	
24	432	1.4	59.481	GFL06 - 2M□□□ 090-12	
23	452	2.7	62.300	GFL09 - 2M□□□ 090-12	
22	458	2.2	63.190	GFL07 - 2M□□□ 090-12	
22	465	1.2	64.080	GFL06 - 2M□□□ 090-12	
20	509	2.7	70.211	GFL09 - 2M□□□ 090-12	
20	517	2.2	71.200	GFL07 - 2M□□□ 090-12	
20	524	1.2	72.189	GFL06 - 2M□□□ 090-12	
18	571	2.2	78.750	GFL09 - 2M□□□ 090-12	
18	579	1.5	79.875	GFL07 - 2M□□□ 090-12	
16	644	2.2	88.750	GFL09 - 2M□□□ 090-12	
16	653	1.4	90.000	GFL07 - 2M□□□ 090-12	

For dimensions, see page 4-66 onwards.

# Shaft-mounted helical gearbox selection tables

Geared motors for Atex category 2G, 2D, 3G, 3D (zone 1, 21, 2, 22)

50 Hz			i	Shaft-mounted helical geared motor	Consultation required for mounting position
n <sub>2</sub> [rpm]	M <sub>2</sub> [Nm]	c			

## P<sub>1</sub> = 1.1 kW

15	660	1.1	92.413	GFL07 - 3M□□□ 090-12	
15	667	2.0	93.333	GFL09 - 3M□□□ 090-12	
14	744	1.1	104.127	GFL07 - 3M□□□ 090-12	
13	752	2.0	105.185	GFL09 - 3M□□□ 090-12	
12	817	1.7	114.333	GFL09 - 3M□□□ 090-12	
11	921	1.7	128.852	GFL09 - 3M□□□ 090-12	
9.4	1063	1.5	148.815	GFL09 - 3M□□□ 090-12	
9.4	1066	2.8	149.144	GFL11 - 3M□□□ 090-12	
8.4	1198	1.5	167.712	GFL09 - 3M□□□ 090-12	
8.4	1201	2.8	168.049	GFL11 - 3M□□□ 090-12	
7.7	1306	2.5	182.792	GFL11 - 3M□□□ 090-12	
7.6	1323	1.3	185.111	GFL09 - 3M□□□ 090-12	
6.8	1472	2.5	205.963	GFL11 - 3M□□□ 090-12	
6.7	1491	1.3	208.617	GFL09 - 3M□□□ 090-12	
6.3	1606	1.2	224.778	GFL09 - 3M□□□ 090-12	
6.3	1605	2.2	224.636	GFL11 - 3M□□□ 090-12	
5.6	1810	1.2	253.321	GFL09 - 3M□□□ 090-12	
5.6	1809	2.2	253.111	GFL11 - 3M□□□ 090-12	
5.3	1910	2.1	267.259	GFL11 - 3M□□□ 090-12	
4.3	2340	1.8	327.556	GFL11 - 3M□□□ 090-12	
4.0	2521	2.7	352.811	GFL14 - 3M□□□ 090-12	
3.9	2558	1.7	358.077	GFL11 - 3M□□□ 090-12	
3.5	2840	2.7	397.533	GFL14 - 3M□□□ 090-12	
3.5	2883	1.7	403.467	GFL11 - 3M□□□ 090-12	
3.3	3074	1.6	430.222	GFL11 - 3M□□□ 090-12	
3.3	3074	2.9	430.222	GFL14 - 3M□□□ 090-12	
2.7	3731	1.4	522.133	GFL11 - 3M□□□ 090-12	
2.7	3731	2.5	522.133	GFL14 - 3M□□□ 090-12	
2.5	4018	1.2	562.391	GFL11 - 3M□□□ 090-12	
2.5	4018	2.2	562.391	GFL14 - 3M□□□ 090-12	
2.2	4528	1.2	633.680	GFL11 - 3M□□□ 090-12	
2.2	4528	2.2	633.680	GFL14 - 3M□□□ 090-12	
2.0	5079	1.0	710.888	GFL11 - 3M□□□ 090-12	
2.0	5079	1.8	710.888	GFL14 - 3M□□□ 090-12	
1.8	5723	1.0	801.000	GFL11 - 3M□□□ 090-12	
1.8	5723	1.7	801.000	GFL14 - 3M□□□ 090-12	

## P<sub>1</sub> = 1.5 kW

387	36	3.0	3.659	GFL04 - 2M□□□ 090-32	
310	45	3.8	4.571	GFL05 - 2M□□□ 090-32	
282	49	2.3	5.018	GFL04 - 2M□□□ 090-32	
243	57	2.6	5.833	GFL04 - 2M□□□ 090-32	
221	63	2.8	6.400	GFL05 - 2M□□□ 090-32	
220	63	1.8	6.422	GFL04 - 2M□□□ 090-32	
201	69	1.6	7.025	GFL04 - 2M□□□ 090-32	
201	69	2.9	7.040	GFL05 - 2M□□□ 090-32	
182	76	2.7	7.771	GFL05 - 2M□□□ 090-32	
169	82	2.1	8.379	GFL04 - 2M□□□ 090-32	
157	89	2.4	9.010	GFL05 - 2M□□□ 090-32	
152	92	1.8	9.333	GFL04 - 2M□□□ 090-32	
142	98	2.3	9.946	GFL05 - 2M□□□ 090-32	
138	101	1.6	10.238	GFL04 - 2M□□□ 090-32	
125	112	2.0	11.360	GFL05 - 2M□□□ 090-32	
123	113	1.6	11.491	GFL04 - 2M□□□ 090-32	
111	126	1.3	12.800	GFL04 - 2M□□□ 090-32	
111	126	1.8	12.800	GFL05 - 2M□□□ 090-32	
97	143	1.7	14.538	GFL05 - 2M□□□ 090-32	
96	144	1.3	14.706	GFL04 - 2M□□□ 090-32	
89	156	1.6	15.904	GFL05 - 2M□□□ 090-32	
88	158	1.2	16.087	GFL04 - 2M□□□ 090-32	
79	176	1.4	17.920	GFL05 - 2M□□□ 090-32	
70	199	1.3	20.286	GFL05 - 2M□□□ 090-32	
69	202	3.1	20.571	GFL06 - 2M□□□ 090-32	
62	225	1.2	22.857	GFL05 - 2M□□□ 090-32	
61	228	2.7	23.175	GFL06 - 2M□□□ 090-32	
57	244	1.2	24.850	GFL05 - 2M□□□ 090-32	
56	248	2.6	25.200	GFL06 - 2M□□□ 090-32	
51	275	1.1	28.000	GFL05 - 2M□□□ 090-32	
50	279	2.2	28.389	GFL06 - 2M□□□ 090-32	

For dimensions, see page 4-66 onwards.

# Shaft-mounted helical gearbox selection tables

Geared motors for Atex category 2G, 2D, 3G, 3D (zone 1, 21, 2, 22)



50 Hz			i	Shaft-mounted helical geared motor	Consultation required for mounting position
n <sub>2</sub> [rpm]	M <sub>2</sub> [Nm]	c			

## P<sub>1</sub> = 1.5 kW

44	318	2.9	32.344	GFL07 - 2M□□□ 090-32
43	322	2.0	32.800	GFL06 - 2M□□□ 090-32
39	358	2.9	36.444	GFL07 - 2M□□□ 090-32
38	363	1.7	36.951	GFL06 - 2M□□□ 090-32
36	389	2.5	39.642	GFL07 - 2M□□□ 090-32
35	401	1.6	40.800	GFL06 - 2M□□□ 090-32
32	439	2.5	44.667	GFL07 - 2M□□□ 090-32
31	451	1.4	45.963	GFL06 - 2M□□□ 090-32
28	504	2.4	51.333	GFL09 - 2M□□□ 090-32
27	511	1.9	52.067	GFL07 - 2M□□□ 090-32
27	519	1.3	52.800	GFL06 - 2M□□□ 090-32
25	568	2.4	57.852	GFL09 - 2M□□□ 090-32
24	576	1.9	58.667	GFL07 - 2M□□□ 090-32
24	584	1.1	59.481	GFL06 - 2M□□□ 090-32
23	612	2.0	62.300	GFL09 - 2M□□□ 090-32
22	621	1.6	63.190	GFL07 - 2M□□□ 090-32
20	690	2.0	70.211	GFL09 - 2M□□□ 090-32
20	699	1.6	71.200	GFL07 - 2M□□□ 090-32
18	773	1.6	78.750	GFL09 - 2M□□□ 090-32
18	785	1.1	79.875	GFL07 - 2M□□□ 090-32
16	872	1.6	88.750	GFL09 - 2M□□□ 090-32
16	884	1.1	90.000	GFL07 - 2M□□□ 090-32
15	903	1.4	93.333	GFL09 - 3M□□□ 090-32
15	905	2.7	93.540	GFL11 - 3M□□□ 090-32
14	1018	1.4	105.185	GFL09 - 3M□□□ 090-32
13	1020	2.7	105.397	GFL11 - 3M□□□ 090-32
12	1106	1.3	114.333	GFL09 - 3M□□□ 090-32
11	1247	1.3	128.852	GFL09 - 3M□□□ 090-32
9.5	1440	1.1	148.815	GFL09 - 3M□□□ 090-32
9.5	1443	2.1	149.144	GFL11 - 3M□□□ 090-32
8.4	1623	1.1	167.712	GFL09 - 3M□□□ 090-32
8.4	1626	2.1	168.049	GFL11 - 3M□□□ 090-32
7.7	1768	1.9	182.792	GFL11 - 3M□□□ 090-32
7.0	1955	2.4	202.074	GFL14 - 3M□□□ 090-32
6.9	1993	1.9	205.963	GFL11 - 3M□□□ 090-32
6.3	2173	1.6	224.636	GFL11 - 3M□□□ 090-32
5.6	2449	1.6	253.111	GFL11 - 3M□□□ 090-32
5.3	2586	1.5	267.259	GFL11 - 3M□□□ 090-32
4.3	3169	1.4	327.556	GFL11 - 3M□□□ 090-32
4.0	3413	2.0	352.811	GFL14 - 3M□□□ 090-32
4.0	3464	1.2	358.077	GFL11 - 3M□□□ 090-32
3.6	3846	2.0	397.533	GFL14 - 3M□□□ 090-32
3.5	3903	1.2	403.467	GFL11 - 3M□□□ 090-32
3.3	4162	1.2	430.222	GFL11 - 3M□□□ 090-32
3.3	4162	2.1	430.222	GFL14 - 3M□□□ 090-32
2.7	5051	1.0	522.133	GFL11 - 3M□□□ 090-32
2.7	5051	1.9	522.133	GFL14 - 3M□□□ 090-32
2.5	5441	1.6	562.391	GFL14 - 3M□□□ 090-32
2.2	6130	1.6	633.680	GFL14 - 3M□□□ 090-32
2.0	6877	1.3	710.888	GFL14 - 3M□□□ 090-32
1.8	7749	1.3	801.000	GFL14 - 3M□□□ 090-32

## P<sub>1</sub> = 2.2 kW

428	48	3.3	3.333	GFL05 - 2M□□□ 100-12
312	65	2.6	4.571	GFL05 - 2M□□□ 100-12
278	73	2.5	5.133	GFL05 - 2M□□□ 100-12
252	81	2.3	5.667	GFL05 - 2M□□□ 100-12
223	92	1.9	6.400	GFL05 - 2M□□□ 100-12
202	101	2.0	7.040	GFL05 - 2M□□□ 100-12
183	111	1.9	7.771	GFL05 - 2M□□□ 100-12
158	129	1.7	9.010	GFL05 - 2M□□□ 100-12
143	142	1.6	9.946	GFL05 - 2M□□□ 100-12
141	144	3.2	10.092	GFL06 - 2M□□□ 100-12
125	163	1.4	11.360	GFL05 - 2M□□□ 100-12
111	183	1.3	12.800	GFL05 - 2M□□□ 100-12
110	186	2.9	12.978	GFL06 - 2M□□□ 100-12
98	208	1.2	14.538	GFL05 - 2M□□□ 100-12
97	211	2.7	14.743	GFL06 - 2M□□□ 100-12
90	228	1.1	15.904	GFL05 - 2M□□□ 100-12

For dimensions, see page 4-66 onwards.

# Shaft-mounted helical gearbox selection tables

Geared motors for Atex category 2G, 2D, 3G, 3D (zone 1, 21, 2, 22)

50 Hz			i	Shaft-mounted helical geared motor	Consultation required for mounting position
n <sub>2</sub> [rpm]	M <sub>2</sub> [Nm]	c			

## P<sub>1</sub> = 2.2 kW

88	231	2.6	16.128	GFL06 - 2M□□□ 100-12	
78	260	2.3	18.169	GFL06 - 2M□□□ 100-12	
69	294	2.1	20.571	GFL06 - 2M□□□ 100-12	
62	327	3.2	22.857	GFL07 - 2M□□□ 100-12	
62	332	1.8	23.175	GFL06 - 2M□□□ 100-12	
57	355	3.1	24.850	GFL07 - 2M□□□ 100-12	
57	361	1.8	25.200	GFL06 - 2M□□□ 100-12	
51	401	2.7	28.000	GFL07 - 2M□□□ 100-12	
50	406	1.5	28.389	GFL06 - 2M□□□ 100-12	
44	463	2.6	32.344	GFL07 - 2M□□□ 100-12	
44	467	3.2	32.667	GFL09 - 2M□□□ 100-12	
43	469	1.4	32.800	GFL06 - 2M□□□ 100-12	
39	521	2.3	36.444	GFL07 - 2M□□□ 100-12	
39	527	3.2	36.815	GFL09 - 2M□□□ 100-12	
39	529	1.2	36.951	GFL06 - 2M□□□ 100-12	
36	567	2.8	39.667	GFL09 - 2M□□□ 100-12	
36	567	2.2	39.642	GFL07 - 2M□□□ 100-12	
35	584	1.1	40.800	GFL06 - 2M□□□ 100-12	
32	639	2.8	44.704	GFL09 - 2M□□□ 100-12	
32	639	2.0	44.667	GFL07 - 2M□□□ 100-12	
28	734	2.2	51.333	GFL09 - 2M□□□ 100-12	
27	745	1.7	52.067	GFL07 - 2M□□□ 100-12	
27	745	2.8	52.067	GFL11 - 2M□□□ 100-12	
25	828	2.2	57.852	GFL09 - 2M□□□ 100-12	
24	839	1.5	58.667	GFL07 - 2M□□□ 100-12	
24	839	2.8	58.667	GFL11 - 2M□□□ 100-12	
23	891	1.9	62.300	GFL09 - 2M□□□ 100-12	
23	904	1.4	63.190	GFL07 - 2M□□□ 100-12	
23	904	2.3	63.190	GFL11 - 2M□□□ 100-12	
20	1004	1.9	70.211	GFL09 - 2M□□□ 100-12	
20	1018	1.3	71.200	GFL07 - 2M□□□ 100-12	
20	1018	2.3	71.200	GFL11 - 2M□□□ 100-12	
18	1126	1.4	78.750	GFL09 - 2M□□□ 100-12	
18	1143	1.9	79.875	GFL11 - 2M□□□ 100-12	
16	1270	1.4	88.750	GFL09 - 2M□□□ 100-12	
16	1287	1.9	90.000	GFL11 - 2M□□□ 100-12	
15	1318	1.9	93.540	GFL11 - 3M□□□ 100-12	
14	1478	3.2	104.889	GFL14 - 3M□□□ 100-12	
14	1485	1.9	105.397	GFL11 - 3M□□□ 100-12	
13	1608	3.1	114.126	GFL14 - 3M□□□ 100-12	
12	1614	1.7	114.586	GFL11 - 3M□□□ 100-12	
11	1812	3.1	128.593	GFL14 - 3M□□□ 100-12	
11	1819	1.7	129.111	GFL11 - 3M□□□ 100-12	
9.6	2101	1.4	149.144	GFL11 - 3M□□□ 100-12	
9.1	2200	2.8	156.148	GFL14 - 3M□□□ 100-12	
8.5	2368	1.4	168.049	GFL11 - 3M□□□ 100-12	
8.4	2396	2.6	170.074	GFL14 - 3M□□□ 100-12	
7.8	2575	1.3	182.792	GFL11 - 3M□□□ 100-12	
7.1	2847	2.2	202.074	GFL14 - 3M□□□ 100-12	
6.9	2902	1.3	205.963	GFL11 - 3M□□□ 100-12	
6.3	3165	1.1	224.636	GFL11 - 3M□□□ 100-12	
6.3	3165	2.1	224.636	GFL14 - 3M□□□ 100-12	
5.6	3566	1.1	253.111	GFL11 - 3M□□□ 100-12	
5.6	3566	2.1	253.111	GFL14 - 3M□□□ 100-12	
5.3	3766	1.1	267.259	GFL11 - 3M□□□ 100-12	
5.2	3857	1.9	273.778	GFL14 - 3M□□□ 100-12	
4.3	4684	1.7	332.444	GFL14 - 3M□□□ 100-12	
4.0	4971	1.6	352.811	GFL14 - 3M□□□ 100-12	
3.6	5601	1.6	397.533	GFL14 - 3M□□□ 100-12	
3.3	6062	1.5	430.222	GFL14 - 3M□□□ 100-12	
2.7	7357	1.3	522.133	GFL14 - 3M□□□ 100-12	
2.5	7924	1.1	562.391	GFL14 - 3M□□□ 100-12	
2.3	8928	1.1	633.680	GFL14 - 3M□□□ 100-12	

## P<sub>1</sub> = 3.0 kW

425	66	2.4	3.333	GFL05 - 2M□□□ 100-32	
310	90	1.9	4.571	GFL05 - 2M□□□ 100-32	
276	101	1.8	5.133	GFL05 - 2M□□□ 100-32	
250	111	1.7	5.667	GFL05 - 2M□□□ 100-32	

For dimensions, see page 4-66 onwards.

# Shaft-mounted helical gearbox selection tables

Geared motors for Atex category 2G, 2D, 3G, 3D (zone 1, 21, 2, 22)



50 Hz			i	Shaft-mounted helical geared motor	Consultation required for mounting position
n <sub>2</sub> [rpm]	M <sub>2</sub> [Nm]	c			
<b>P<sub>1</sub> = 3.0 kW</b>					
221	126	1.4	6.400	GFL05 - 2M□□□ 100-32	
219	127	2.8	6.450	GFL06 - 2M□□□ 100-32	
201	138	1.4	7.040	GFL05 - 2M□□□ 100-32	
198	140	3.1	7.147	GFL06 - 2M□□□ 100-32	
182	153	1.4	7.771	GFL05 - 2M□□□ 100-32	
169	165	3.0	8.400	GFL06 - 2M□□□ 100-32	
157	177	1.2	9.010	GFL05 - 2M□□□ 100-32	
150	186	2.7	9.463	GFL06 - 2M□□□ 100-32	
142	195	1.2	9.946	GFL05 - 2M□□□ 100-32	
140	198	2.3	10.092	GFL06 - 2M□□□ 100-32	
125	223	1.0	11.360	GFL05 - 2M□□□ 100-32	
123	226	2.4	11.520	GFL06 - 2M□□□ 100-32	
109	255	2.1	12.978	GFL06 - 2M□□□ 100-32	
96	290	2.0	14.743	GFL06 - 2M□□□ 100-32	
89	312	3.1	15.904	GFL07 - 2M□□□ 100-32	
88	317	1.9	16.128	GFL06 - 2M□□□ 100-32	
79	352	2.8	17.920	GFL07 - 2M□□□ 100-32	
78	357	1.7	18.169	GFL06 - 2M□□□ 100-32	
70	399	2.6	20.286	GFL07 - 2M□□□ 100-32	
69	404	1.6	20.571	GFL06 - 2M□□□ 100-32	
62	449	2.3	22.857	GFL07 - 2M□□□ 100-32	
61	455	1.3	23.175	GFL06 - 2M□□□ 100-32	
57	488	2.2	24.850	GFL07 - 2M□□□ 100-32	
56	495	1.3	25.200	GFL06 - 2M□□□ 100-32	
51	550	2.0	28.000	GFL07 - 2M□□□ 100-32	
50	558	1.1	28.389	GFL06 - 2M□□□ 100-32	
44	635	1.9	32.344	GFL07 - 2M□□□ 100-32	
43	642	2.4	32.667	GFL09 - 2M□□□ 100-32	
39	716	1.7	36.444	GFL07 - 2M□□□ 100-32	
38	723	2.4	36.815	GFL09 - 2M□□□ 100-32	
36	779	2.0	39.667	GFL09 - 2M□□□ 100-32	
36	779	1.6	39.642	GFL07 - 2M□□□ 100-32	
32	878	2.0	44.704	GFL09 - 2M□□□ 100-32	
32	877	1.4	44.667	GFL07 - 2M□□□ 100-32	
28	1008	1.6	51.333	GFL09 - 2M□□□ 100-32	
27	1023	1.3	52.067	GFL07 - 2M□□□ 100-32	
27	1023	2.0	52.067	GFL11 - 2M□□□ 100-32	
25	1136	1.6	57.852	GFL09 - 2M□□□ 100-32	
24	1152	1.1	58.667	GFL07 - 2M□□□ 100-32	
24	1152	2.0	58.667	GFL11 - 2M□□□ 100-32	
23	1224	1.4	62.300	GFL09 - 2M□□□ 100-32	
22	1241	1.7	63.190	GFL11 - 2M□□□ 100-32	
20	1379	1.4	70.211	GFL09 - 2M□□□ 100-32	
20	1399	1.7	71.200	GFL11 - 2M□□□ 100-32	
18	1547	1.1	78.750	GFL09 - 2M□□□ 100-32	
18	1569	1.4	79.875	GFL11 - 2M□□□ 100-32	
16	1743	1.0	88.750	GFL09 - 2M□□□ 100-32	
16	1768	1.4	90.000	GFL11 - 2M□□□ 100-32	
15	1810	1.4	93.540	GFL11 - 3M□□□ 100-32	
14	2029	2.4	104.889	GFL14 - 3M□□□ 100-32	
13	2039	1.4	105.397	GFL11 - 3M□□□ 100-32	
12	2208	2.2	114.126	GFL14 - 3M□□□ 100-32	
12	2217	1.2	114.586	GFL11 - 3M□□□ 100-32	
11	2498	1.2	129.111	GFL11 - 3M□□□ 100-32	
11	2488	2.2	128.593	GFL14 - 3M□□□ 100-32	
9.5	2886	1.0	149.144	GFL11 - 3M□□□ 100-32	
9.1	3021	2.0	156.148	GFL14 - 3M□□□ 100-32	
8.4	3252	1.0	168.049	GFL11 - 3M□□□ 100-32	
8.3	3291	1.9	170.074	GFL14 - 3M□□□ 100-32	
7.0	3910	1.6	202.074	GFL14 - 3M□□□ 100-32	
6.3	4346	1.5	224.636	GFL14 - 3M□□□ 100-32	
5.6	4897	1.5	253.111	GFL14 - 3M□□□ 100-32	
5.2	5297	1.4	273.778	GFL14 - 3M□□□ 100-32	
4.3	6432	1.2	332.444	GFL14 - 3M□□□ 100-32	
4.0	6826	1.1	352.811	GFL14 - 3M□□□ 100-32	
3.6	7692	1.1	397.533	GFL14 - 3M□□□ 100-32	
3.3	8324	1.1	430.222	GFL14 - 3M□□□ 100-32	

For dimensions, see page 4-66 onwards.

# Shaft-mounted helical gearbox selection tables

Geared motors for Atex category 2G, 2D, 3G, 3D (zone 1, 21, 2, 22)

50 Hz			i	Shaft-mounted helical geared motor	Consultation required for mounting position
n <sub>2</sub> [rpm]	M <sub>2</sub> [Nm]	c			
<b>P<sub>1</sub> = 4.0 kW</b>					
389	95	2.7	3.675	GFL06 - 2M□□□ 112-22	
308	120	3.4	4.643	GFL07 - 2M□□□ 112-22	
274	135	2.7	5.211	GFL06 - 2M□□□ 112-22	
249	149	2.7	5.750	GFL06 - 2M□□□ 112-22	
223	166	2.7	6.400	GFL07 - 2M□□□ 112-22	
222	167	2.1	6.450	GFL06 - 2M□□□ 112-22	
200	185	2.3	7.147	GFL06 - 2M□□□ 112-22	
170	218	2.3	8.400	GFL06 - 2M□□□ 112-22	
151	245	2.0	9.463	GFL06 - 2M□□□ 112-22	
147	252	2.9	9.714	GFL07 - 2M□□□ 112-22	
142	262	1.8	10.092	GFL06 - 2M□□□ 112-22	
124	299	1.8	11.520	GFL06 - 2M□□□ 112-22	
124	299	3.0	11.538	GFL07 - 2M□□□ 112-22	
110	336	1.6	12.978	GFL06 - 2M□□□ 112-22	
110	337	2.6	13.000	GFL07 - 2M□□□ 112-22	
101	368	2.5	14.200	GFL07 - 2M□□□ 112-22	
97	382	1.5	14.743	GFL06 - 2M□□□ 112-22	
90	412	2.3	15.904	GFL07 - 2M□□□ 112-22	
89	418	1.4	16.128	GFL06 - 2M□□□ 112-22	
80	464	2.1	17.920	GFL07 - 2M□□□ 112-22	
79	471	1.3	18.169	GFL06 - 2M□□□ 112-22	
73	510	3.1	19.667	GFL09 - 2M□□□ 112-22	
71	526	2.0	20.286	GFL07 - 2M□□□ 112-22	
70	533	1.2	20.571	GFL06 - 2M□□□ 112-22	
65	574	3.1	22.164	GFL09 - 2M□□□ 112-22	
63	592	1.8	22.857	GFL07 - 2M□□□ 112-22	
62	601	1.0	23.175	GFL06 - 2M□□□ 112-22	
59	625	2.6	24.111	GFL09 - 2M□□□ 112-22	
58	644	1.7	24.850	GFL07 - 2M□□□ 112-22	
53	704	2.6	27.173	GFL09 - 2M□□□ 112-22	
51	726	1.5	28.000	GFL07 - 2M□□□ 112-22	
44	838	1.4	32.344	GFL07 - 2M□□□ 112-22	
44	847	2.1	32.667	GFL09 - 2M□□□ 112-22	
44	849	2.6	32.739	GFL11 - 2M□□□ 112-22	
39	945	1.3	36.444	GFL07 - 2M□□□ 112-22	
39	956	2.6	36.889	GFL11 - 2M□□□ 112-22	
39	954	2.1	36.815	GFL09 - 2M□□□ 112-22	
36	1028	1.8	39.667	GFL09 - 2M□□□ 112-22	
36	1027	1.2	39.642	GFL07 - 2M□□□ 112-22	
36	1043	2.2	40.233	GFL11 - 2M□□□ 112-22	
32	1159	1.8	44.704	GFL09 - 2M□□□ 112-22	
32	1158	1.1	44.667	GFL07 - 2M□□□ 112-22	
32	1175	2.2	45.333	GFL11 - 2M□□□ 112-22	
28	1330	1.4	51.333	GFL09 - 2M□□□ 112-22	
28	1349	1.7	52.067	GFL11 - 2M□□□ 112-22	
25	1499	1.4	57.852	GFL09 - 2M□□□ 112-22	
24	1520	1.7	58.667	GFL11 - 2M□□□ 112-22	
23	1615	1.2	62.300	GFL09 - 2M□□□ 112-22	
23	1638	1.5	63.190	GFL11 - 2M□□□ 112-22	
20	1820	1.2	70.211	GFL09 - 2M□□□ 112-22	
20	1845	1.5	71.200	GFL11 - 2M□□□ 112-22	
18	2070	1.2	79.875	GFL11 - 2M□□□ 112-22	
16	2332	1.2	90.000	GFL11 - 2M□□□ 112-22	
15	2388	1.0	93.540	GFL11 - 3M□□□ 112-22	
14	2691	1.0	105.397	GFL11 - 3M□□□ 112-22	
14	2678	1.9	104.889	GFL14 - 3M□□□ 112-22	
13	2913	1.7	114.126	GFL14 - 3M□□□ 112-22	
11	3283	1.7	128.593	GFL14 - 3M□□□ 112-22	
10	3494	1.6	136.889	GFL14 - 3M□□□ 112-22	
9.2	3986	1.5	156.148	GFL14 - 3M□□□ 112-22	
8.4	4342	1.4	170.074	GFL14 - 3M□□□ 112-22	
7.1	5158	1.3	202.074	GFL14 - 3M□□□ 112-22	
6.4	5734	1.1	224.636	GFL14 - 3M□□□ 112-22	
5.7	6461	1.1	253.111	GFL14 - 3M□□□ 112-22	
5.2	6989	1.0	273.778	GFL14 - 3M□□□ 112-22	

For dimensions, see page 4-66 onwards.





# Shaft-mounted helical gearbox selection tables

Gearboxes with mounting flange for Atex category 2GD, 3GD (zone 1, 21, 2, 22)

$M_2 \text{ perm} \leq 187 \text{ Nm}$		GFL04-2N □□□							
Gearbox with	Mounting flange size Motor frame size Flange diameter	i	$P_1 \text{ perm}$ [kW]	$M_2 \text{ perm}$ [Nm]	$n_2$ [rpm]	Temperature class			
						T3 (G) $\cong$ 190 °C (D) T4 (G) $\cong$ 125 °C (D)			
						Mounting position			
						A, B, E, F	C	D	
<b><math>n_1 = 2800 \text{ rpm}</math></b>									
GFL04-2N □□□	1A	7.025	1.03	24	399	T4	T3	-	
	63	16.087	1.03	55	174	T4	T3	-	
	90	17.920	1.03	61	156	T4	T3	-	
		20.519	0.96	65	137	T4	T4	-	
		22.857	0.96	72	123	T4	T4	-	
		31.600	1.19	125	89	T4	T4	-	
		35.200	1.19	139	80	T4	T4	-	
		40.697	1.00	134	69	T4	T4	-	
		45.333	1.00	150	62	T4	T4	-	
		51.579	0.83	142	54	T4	T4	-	
		57.455	0.83	158	49	T4	T4	-	
		64.636	0.68	146	43	T4	T4	-	
		72.000	0.74	176	39	T4	T4	-	
		85.156	0.37	103	33	T4	T4	-	
		94.857	0.37	116	30	T4	T4	-	
	GFL04-2N □□□	□B	3.659	2.23	27	765	T3	T3	-
		1B 2B	5.018	2.23	37	558	T3	T3	-
		71 63	5.833	2.23	43	480	T3	T3	-
105 90		6.422	1.98	42	436	T3	T3	-	
		7.025	1.89	44	399	T4	T3	-	
		8.379	2.23	62	334	T3	T3	-	
		9.333	2.23	69	300	T3	T3	-	
		10.238	1.98	67	274	T3	T3	-	
		11.491	2.23	85	244	T3	T3	-	
		12.800	2.23	95	219	T3	T3	-	
		14.706	1.98	97	190	T3	T3	-	
		16.087	1.89	101	174	T4	T3	-	
		17.920	1.89	112	156	T4	T3	-	
		20.519	1.60	109	137	T4	T3	-	
		22.857	1.60	121	123	T4	T3	-	
		25.136	1.56	130	111	T4	T4	-	
		28.000	1.56	145	100	T4	T4	-	
		31.600	1.31	136	89	T4	T4	-	
		35.200	1.31	152	80	T4	T4	-	
		40.697	1.05	141	69	T4	T4	-	
		45.333	1.05	157	62	T4	T4	-	
		51.579	0.84	144	54	T4	T4	-	
		57.455	0.84	160	49	T4	T4	-	
		64.636	0.69	147	43	T4	T4	-	
		72.000	0.74	177	39	T4	T4	-	
GFL04-2N □□□		□C	3.659	3.04	37	765	T3	T3	-
		1C 2C 3C 4C 6C 7C	5.018	3.04	50	558	T3	T3	-
	80 71 71 71 63 80	5.833	3.04	59	480	T3	T3	-	
	160 160 105 120 160 120	6.422	3.04	65	436	T3	T3	-	
		7.025	2.97	69	399	T3	T3	-	
		8.379	3.04	84	334	T3	T3	-	
		9.333	3.04	94	300	T3	T3	-	
		10.238	3.04	103	274	T3	T3	-	
		11.491	3.04	115	244	T3	T3	-	
		12.800	3.04	129	219	T3	T3	-	
		14.706	3.04	148	190	T3	T3	-	
		16.087	2.78	148	174	T3	T3	-	
		17.920	2.29	136	156	T3	T3	-	
		20.519	2.19	149	137	T4	T3	-	
		22.857	1.79	136	123	T4	T3	-	
		25.136	2.03	169	111	T4	T3	-	
		28.000	1.67	155	100	T4	T3	-	
		31.600	1.63	171	89	T4	T4	-	
		35.200	1.35	157	80	T4	T4	-	
		40.697	1.28	173	69	T4	T4	-	
		45.333	1.06	159	62	T4	T4	-	

For dimensions, see page 4-78 onwards.



# Shaft-mounted helical gearbox selection tables

Gearboxes with mounting flange for Atex category 2GD. 3GD (zone 1, 21, 2, 22)



$M_2 \text{ perm} \leq 187 \text{ Nm}$		GFL04-2N □□□						
Gearbox with	Mounting flange size Motor frame size Flange diameter	i	$P_1 \text{ perm}$ [kW]	$M_2 \text{ perm}$ [Nm]	$n_2$ [rpm]	Temperature class		
						T3 (G) $\cong$ 190 °C (D)	T4 (G) $\cong$ 125 °C (D)	
						Mounting position		
						A, B, E, F	C	D
<b><math>n_1 = 2800 \text{ rpm}</math></b>								
GFL04-2N □□□	□D	3.659	3.75	45	765	T3	T3	-
	1D 2D	5.018	3.75	62	558	T3	T3	-
	90 80	5.833	3.75	72	480	T3	T3	-
	160 160	6.422	3.75	80	436	T3	T3	-
		7.025	3.75	87	399	T3	T3	-
		8.379	3.75	104	334	T3	T3	-
		9.333	3.75	116	300	T3	T3	-
		10.238	3.75	127	274	T3	T3	-
		11.491	3.75	143	244	T3	T3	-
		12.800	3.18	135	219	T3	T3	-
		14.706	3.04	148	190	T3	T3	-
		16.087	2.78	148	174	T3	T3	-
		17.920	2.29	136	156	T3	T3	-
		20.519	2.19	149	137	T4	T3	-
		22.857	1.79	136	123	T4	T3	-
		25.136	2.03	169	111	T4	T3	-
		28.000	1.67	155	100	T4	T3	-
<b><math>n_1 = 1400 \text{ rpm}</math></b>								
GFL04-2N □□□	1A	7.025	0.63	30	199	T4	T4	T4
	63	16.087	0.63	68	87	T4	T4	T4
	90	17.920	0.63	75	78	T4	T4	T4
		20.519	0.59	80	68	T4	T4	T4
		22.857	0.59	89	61	T4	T4	T4
		31.600	0.65	135	44	T4	T4	T4
		35.200	0.65	151	40	T4	T4	T4
		40.697	0.54	146	34	T4	T4	T4
		45.333	0.54	162	31	T4	T4	T4
		51.579	0.45	154	27	T4	T4	T4
		57.455	0.45	171	24	T4	T4	T4
		64.636	0.37	158	22	T4	T4	T4
		72.000	0.37	176	19	T4	T4	T4
		85.156	0.18	103	16	T4	T4	T4
		94.857	0.19	116	15	T4	T4	T4
GFL04-2N □□□	□B	3.659	1.37	33	383	T4	T4	T4
	1B 2B	5.018	1.37	46	279	T4	T4	T4
	71 63	5.833	1.37	53	240	T4	T4	T4
	105 90	6.422	1.22	52	218	T4	T4	T4
		7.025	1.17	54	199	T4	T4	T4
		8.379	1.37	76	167	T4	T4	T4
		9.333	1.37	85	150	T4	T4	T4
		10.238	1.22	83	137	T4	T4	T4
		11.491	1.37	105	122	T4	T4	T4
		12.800	1.37	116	109	T4	T4	T4
		14.706	1.22	119	95	T4	T4	T4
		16.087	1.17	124	87	T4	T4	T4
		17.920	1.17	138	78	T4	T4	T4
		20.519	0.98	134	68	T4	T4	T4
		22.857	0.98	149	61	T4	T4	T4
		25.136	0.85	141	56	T4	T4	T4
		28.000	0.85	157	50	T4	T4	T4
		31.600	0.71	148	44	T4	T4	T4
		35.200	0.71	165	40	T4	T4	T4
		40.697	0.57	153	34	T4	T4	T4
		45.333	0.57	170	31	T4	T4	T4
		51.579	0.46	156	27	T4	T4	T4
		57.455	0.46	173	24	T4	T4	T4
		64.636	0.37	160	22	T4	T4	T4
		72.000	0.37	177	19	T4	T4	T4

For dimensions, see page 4-78 onwards.

# Shaft-mounted helical gearbox selection tables

Gearboxes with mounting flange for Atex category 2GD, 3GD (zone 1, 21, 2, 22)

$M_2 \text{ perm} \leq 187 \text{ Nm}$		GFL04-2N □□□				
Gearbox with	Mounting flange size Motor frame size Flange diameter	i	$P_1 \text{ perm}$ [kW]	$M_2 \text{ perm}$ [Nm]	$n_2$ [rpm]	Temperature class
						T3 (G) $\cong$ 190 °C (D) T4 (G) $\cong$ 125 °C (D)
						Mounting position
						A, B, E, F
						C
						D

## $n_1 = 1400 \text{ rpm}$

GFL04-2N □□□	□C	3.659	1.87	45	383	T4	T4	T4
	1C 2C 3C 4C 6C 7C	5.018	1.87	62	279	T4	T4	T4
	80 71 71 71 63 80	5.833	1.87	72	240	T4	T4	T4
	160 160 105 120 160 120	6.422	1.87	79	218	T4	T4	T4
		7.025	1.83	85	199	T4	T4	T4
		8.379	1.87	104	167	T4	T4	T4
		9.333	1.87	115	150	T4	T4	T4
		10.238	1.87	127	137	T4	T4	T4
		11.491	1.87	142	122	T4	T4	T4
		12.800	1.87	158	109	T4	T4	T4
		14.706	1.87	182	95	T4	T4	T4
		16.087	1.71	182	87	T4	T4	T4
		17.920	1.41	167	78	T4	T4	T4
		20.519	1.35	183	68	T4	T4	T4
		22.857	1.10	167	61	T4	T4	T4
		25.136	1.10	183	56	T4	T4	T4
		28.000	0.91	168	50	T4	T4	T4
		31.600	0.88	185	44	T4	T4	T4
		35.200	0.73	170	40	T4	T4	T4
		40.697	0.69	187	34	T4	T4	T4
	45.333	0.57	172	31	T4	T4	T4	
GFL04-2N □□□	□D	3.659	2.31	56	383	T4	T4	T4
	1D 2D	5.018	2.31	77	279	T4	T4	T4
	90 80	5.833	2.31	89	240	T4	T4	T4
	160 160	6.422	2.31	98	218	T4	T4	T4
		7.025	2.31	107	199	T4	T4	T4
		8.379	2.31	128	167	T4	T4	T4
		9.333	2.31	143	150	T4	T4	T4
		10.238	2.31	156	137	T4	T4	T4
		11.491	2.31	176	122	T4	T4	T4
		12.800	1.96	166	109	T4	T4	T4
		14.706	1.87	182	95	T4	T4	T4
		16.087	1.71	182	87	T4	T4	T4
		17.920	1.41	167	78	T4	T4	T4
		20.519	1.35	183	68	T4	T4	T4
		22.857	1.10	167	61	T4	T4	T4
		25.136	1.10	183	56	T4	T4	T4
		28.000	0.91	168	50	T4	T4	T4

## $n_1 = 700 \text{ rpm}$

GFL04-2N □□□	1A	7.025	0.32	30	100	T4	T4	T4
	63	16.087	0.32	68	44	T4	T4	T4
	90	17.920	0.32	75	39	T4	T4	T4
		20.519	0.30	80	34	T4	T4	T4
		22.857	0.30	89	31	T4	T4	T4
		31.600	0.32	135	22	T4	T4	T4
		35.200	0.32	151	20	T4	T4	T4
		40.697	0.27	146	17	T4	T4	T4
		45.333	0.27	162	15	T4	T4	T4
		51.579	0.23	154	14	T4	T4	T4
		57.455	0.23	171	12	T4	T4	T4
		64.636	0.18	158	11	T4	T4	T4
		72.000	0.18	176	9.7	T4	T4	T4
		85.156	0.09	103	8.2	T4	T4	T4
		94.857	0.09	116	7.4	T4	T4	T4
	GFL04-2N □□□	□B	3.659	0.72	35	191	T4	T4
1B 2B		5.018	0.72	48	140	T4	T4	T4
71 63		5.833	0.72	56	120	T4	T4	T4
105 90		6.422	0.61	52	109	T4	T4	T4
		7.025	0.58	54	100	T4	T4	T4
		8.379	0.72	80	84	T4	T4	T4

For dimensions, see page 4-78 onwards.

# Shaft-mounted helical gearbox selection tables

Gearboxes with mounting flange for Atex category 2GD. 3GD (zone 1, 21, 2, 22)



$M_2 \text{ perm} \leq 187 \text{ Nm}$		GFL04-2N □□□							
Gearbox with	Mounting flange size Motor frame size Flange diameter	i	$P_1 \text{ perm}$ [kW]	$M_2 \text{ perm}$ [Nm]	$n_2$ [rpm]	Temperature class			
						T3 (G) $\cong$ 190 °C (D) T4 (G) $\cong$ 125 °C (D)			
						Mounting position			
						A, B, E, F	C	D	
<b><math>n_1 = 700 \text{ rpm}</math></b>									
GFL04-2N □□□	□B		9.333	0.72	90	75	T4	T4	T4
	<b>1B</b> 2B		10.238	0.61	83	68	T4	T4	T4
	<b>71</b> 63		11.491	0.72	110	61	T4	T4	T4
	<b>105</b> 90		12.800	0.72	123	55	T4	T4	T4
			14.706	0.61	119	48	T4	T4	T4
			16.087	0.58	124	44	T4	T4	T4
			17.920	0.58	138	39	T4	T4	T4
			20.519	0.49	134	34	T4	T4	T4
			22.857	0.49	149	31	T4	T4	T4
			25.136	0.42	141	28	T4	T4	T4
			28.000	0.42	157	25	T4	T4	T4
			31.600	0.35	148	22	T4	T4	T4
			35.200	0.35	165	20	T4	T4	T4
			40.697	0.28	153	17	T4	T4	T4
			45.333	0.28	170	15	T4	T4	T4
			51.579	0.23	156	14	T4	T4	T4
			57.455	0.23	173	12	T4	T4	T4
			64.636	0.19	160	11	T4	T4	T4
			72.000	0.19	177	9.7	T4	T4	T4
	GFL04-2N □□□	□C		3.659	1.14	55	191	T4	T4
<b>1C</b> 2C 3C 4C 6C 7C			5.018	1.14	76	140	T4	T4	T4
<b>80</b> 71 71 71 63 80			5.833	1.14	88	120	T4	T4	T4
<b>160</b> 160 105 120 160 120			6.422	0.96	81	109	T4	T4	T4
			7.025	0.91	85	100	T4	T4	T4
			8.379	1.14	126	84	T4	T4	T4
			9.333	1.14	141	75	T4	T4	T4
			10.238	0.96	130	68	T4	T4	T4
			11.491	1.14	173	61	T4	T4	T4
			12.800	0.98	166	55	T4	T4	T4
			14.706	0.93	182	48	T4	T4	T4
			16.087	0.85	182	44	T4	T4	T4
			17.920	0.70	167	39	T4	T4	T4
			20.519	0.67	183	34	T4	T4	T4
			22.857	0.55	167	31	T4	T4	T4
			25.136	0.55	183	28	T4	T4	T4
			28.000	0.45	168	25	T4	T4	T4
			31.600	0.44	185	22	T4	T4	T4
			35.200	0.36	170	20	T4	T4	T4
			40.697	0.35	187	17	T4	T4	T4
		45.333	0.29	172	15	T4	T4	T4	
GFL04-2N □□□	□D		3.659	1.53	74	191	T4	T4	T4
	<b>1D</b> 2D		5.018	1.53	102	140	T4	T4	T4
	<b>90</b> 80		5.833	1.53	118	120	T4	T4	T4
	<b>160</b> 160		6.422	1.29	109	109	T4	T4	T4
			7.025	1.21	113	100	T4	T4	T4
			8.379	1.53	169	84	T4	T4	T4
			9.333	1.34	165	75	T4	T4	T4
			10.238	1.18	159	68	T4	T4	T4
			11.491	1.19	181	61	T4	T4	T4
			12.800	0.98	166	55	T4	T4	T4
			14.706	0.93	182	48	T4	T4	T4
			16.087	0.85	182	44	T4	T4	T4
			17.920	0.70	167	39	T4	T4	T4
			20.519	0.67	183	34	T4	T4	T4
			22.857	0.55	167	31	T4	T4	T4
			25.136	0.55	183	28	T4	T4	T4
			28.000	0.45	168	25	T4	T4	T4

For dimensions, see page 4-78 onwards.

# Shaft-mounted helical gearbox selection tables

Gearboxes with mounting flange for Atex category 2GD, 3GD (zone 1, 21, 2, 22)

$M_2 \text{ perm} \leq 332 \text{ Nm}$		GFL05-2N □□□						
Gearbox with	Mounting flange size Motor frame size Flange diameter	i	$P_{1 \text{ perm}}$ [kW]	$M_2 \text{ perm}$ [Nm]	$n_2$ [rpm]	Temperature class		
						T3 (G) $\cong$ 190 °C (D)	T4 (G) $\cong$ 125 °C (D)	
						Mounting position		
						A, B, E, F	C	D
<b><math>n_1 = 2800 \text{ rpm}</math></b>								
GFL05-2N □□□	<b>1B</b>	6.400	2.23	47	438	T3	T3	-
	<b>71</b>	15.904	2.23	117	176	T3	T3	-
	<b>105</b>	17.920	2.23	132	156	T3	T3	-
		20.286	1.97	133	138	T3	T3	-
		22.857	1.97	149	123	T3	T3	-
		32.344	1.55	166	87	T4	T4	-
		36.444	1.55	187	77	T4	T4	-
		40.233	1.30	173	70	T4	T4	-
		45.333	1.30	194	62	T4	T4	-
		52.067	1.04	179	54	T4	T4	-
		58.667	1.04	202	48	T4	T4	-
		63.190	0.87	181	44	T4	T4	-
		71.200	0.94	222	39	T4	T4	-
		80.763	0.75	202	35	T4	T4	-
		91.000	0.75	227	31	T4	T4	-
GFL05-2N □□□	□C	6.400	3.04	64	438	T3	T3	-
	<b>1C</b> 2C 3C 4C 6C 7C	9.010	3.04	91	311	T3	T3	-
	<b>80</b> 71 71 71 63 80	9.946	3.04	100	282	T3	T3	-
	<b>160</b> 160 105 120 160 120	14.538	3.04	146	193	T3	T3	-
		15.904	3.04	160	176	T3	T3	-
		17.920	3.04	180	156	T3	T3	-
		20.286	3.04	204	138	T3	T3	-
		22.857	2.95	223	123	T3	T3	-
		24.850	3.03	249	113	T4	T3	-
		28.000	2.92	271	100	T4	T3	-
		32.344	2.43	260	87	T4	T3	-
		36.444	2.42	292	77	T4	T3	-
		40.233	2.03	270	70	T4	T4	-
		45.333	1.96	294	62	T4	T4	-
		52.067	1.63	281	54	T4	T4	-
		58.667	1.53	297	48	T4	T4	-
		63.190	1.25	260	44	T4	T4	-
		71.200	1.30	305	39	T4	T4	-
GFL05-2N □□□	□D	3.333	3.75	41	840	T3	T3	-
	<b>1D</b> 2D	4.571	3.75	57	613	T3	T3	-
	<b>90</b> 80	5.133	3.75	64	546	T3	T3	-
	<b>160</b> 160	5.667	3.75	70	494	T3	T3	-
		6.400	3.75	79	438	T3	T3	-
		7.040	3.75	87	398	T3	T3	-
		7.771	3.75	96	360	T3	T3	-
		9.010	3.75	112	311	T3	T3	-
		9.946	3.75	123	282	T3	T3	-
		11.360	3.75	141	247	T3	T3	-
		12.800	3.75	159	219	T3	T3	-
		14.538	3.75	180	193	T3	T3	-
		15.904	3.75	197	176	T3	T3	-
		17.920	3.47	206	156	T3	T3	-
		20.286	3.25	218	138	T3	T3	-
		22.857	2.95	223	123	T3	T3	-
		24.850	3.22	265	113	T4	T3	-
		28.000	2.92	271	100	T4	T3	-
		32.344	2.68	287	87	T4	T3	-
		36.444	2.42	292	77	T4	T3	-
		40.233	2.30	306	70	T4	T4	-
		45.333	1.96	294	62	T4	T4	-
GFL05-2N □□□	□E	3.333	7.47	82	840	T3	T3	-
	<b>1E</b> 1E 2E 3E 4E	4.571	7.47	113	613	T3	T3	-
	<b>100</b> 112 90 80 90	5.133	7.47	127	546	T3	T3	-
	<b>160</b> 160 160 160 200	5.667	7.47	140	494	T3	T3	-
		6.400	6.01	127	438	T3	T3	-
		7.040	6.97	162	398	T3	T3	-

For dimensions, see page 4-78 onwards.

# Shaft-mounted helical gearbox selection tables

Gearboxes with mounting flange for Atex category 2GD. 3GD (zone 1, 21, 2, 22)



$M_2 \text{ perm} \leq 332 \text{ Nm}$		GFL05-2N □□□				
Gearbox with	Mounting flange size Motor frame size Flange diameter	i	$P_1 \text{ perm}$ [kW]	$M_2 \text{ perm}$ [Nm]	$n_2$ [rpm]	Temperature class
						T3 (G) $\cong$ 190 °C (D) T4 (G) $\cong$ 125 °C (D)
						Mounting position
						A, B, E, F      C      D

## $n_1 = 2800 \text{ rpm}$

GFL05-2N □□□	□E	7.771	6.58	169	360	T3	T3	-
	1E	9.010	5.88	175	311	T3	T3	-
	100	9.946	5.56	183	282	T3	T3	-
	112	11.360	4.85	182	247	T3	T3	-
	90	12.800	4.40	186	219	T3	T3	-
	80	14.538	4.10	197	193	T3	T3	-
	90	15.904	3.86	203	176	T3	T3	-
	160	17.920	3.47	206	156	T3	T3	-
	160	20.286	3.25	218	138	T3	T3	-
	160	22.857	2.95	223	123	T3	T3	-
	160	24.850	3.22	265	113	T3	T3	-
	160	28.000	2.92	271	100	T3	T3	-

## $n_1 = 1400 \text{ rpm}$

GFL05-2N □□□	1B	6.400	1.37	58	219	T4	T4	T4
	71	15.904	1.37	145	88	T4	T4	T4
	105	17.920	1.37	163	78	T4	T4	T4
		20.286	1.22	163	69	T4	T4	T4
		22.857	1.22	184	61	T4	T4	T4
		32.344	0.84	180	43	T4	T4	T4
		36.444	0.84	203	38	T4	T4	T4
		40.233	0.70	187	35	T4	T4	T4
		45.333	0.70	211	31	T4	T4	T4
		52.067	0.56	194	27	T4	T4	T4
		58.667	0.56	219	24	T4	T4	T4
		63.190	0.47	197	22	T4	T4	T4
		71.200	0.47	222	20	T4	T4	T4
		80.763	0.38	202	17	T4	T4	T4
		91.000	0.38	227	15	T4	T4	T4
GFL05-2N □□□	□C	6.400	1.87	79	219	T4	T4	T4
	1C	9.010	1.87	111	155	T4	T4	T4
	2C	9.946	1.87	123	141	T4	T4	T4
	3C	14.538	1.87	180	96	T4	T4	T4
	4C	15.904	1.87	197	88	T4	T4	T4
	6C	17.920	1.87	222	78	T4	T4	T4
	7C	20.286	1.87	251	69	T4	T4	T4
		22.857	1.81	275	61	T4	T4	T4
		24.850	1.64	270	56	T4	T4	T4
		28.000	1.58	293	50	T4	T4	T4
		32.344	1.32	282	43	T4	T4	T4
		36.444	1.31	316	38	T4	T4	T4
		40.233	1.10	293	35	T4	T4	T4
		45.333	1.06	319	31	T4	T4	T4
		52.067	0.88	304	27	T4	T4	T4
	58.667	0.83	322	24	T4	T4	T4	
	63.190	0.67	282	22	T4	T4	T4	
	71.200	0.65	305	20	T4	T4	T4	
GFL05-2N □□□	□D	3.333	2.31	51	420	T4	T4	T4
	1D	4.571	2.31	70	306	T4	T4	T4
	2D	5.133	2.31	78	273	T4	T4	T4
	90	5.667	2.31	87	247	T4	T4	T4
	80	6.400	2.31	98	219	T4	T4	T4
	160	7.040	2.31	108	199	T4	T4	T4
	160	7.771	2.31	119	180	T4	T4	T4
		9.010	2.31	138	155	T4	T4	T4
		9.946	2.31	152	141	T4	T4	T4
		11.360	2.31	174	123	T4	T4	T4
		12.800	2.31	196	109	T4	T4	T4
		14.538	2.31	222	96	T4	T4	T4
		15.904	2.31	243	88	T4	T4	T4
		17.920	2.14	254	78	T4	T4	T4

For dimensions, see page 4-78 onwards.

# Shaft-mounted helical gearbox selection tables

Gearboxes with mounting flange for Atex category 2GD, 3GD (zone 1, 21, 2, 22)

$M_2 \text{ perm} \leq 332 \text{ Nm}$		GFL05-2N □□□						
Gearbox with	Mounting flange size Motor frame size Flange diameter	i	$P_{1 \text{ perm}}$ [kW]	$M_2 \text{ perm}$ [Nm]	$n_2$ [rpm]	Temperature class		
						T3 (G) $\cong$ 190 °C (D) T4 (G) $\cong$ 125 °C (D)		
						Mounting position		
						A, B, E, F	C	D

## $n_1 = 1400 \text{ rpm}$

GFL05-2N □□□	□D	20.286	2.00	268	69	T4	T4	T4
	1D 2D	22.857	1.81	275	61	T4	T4	T4
	90 80	24.850	1.74	287	56	T4	T4	T4
	160 160	28.000	1.58	293	50	T4	T4	T4
		32.344	1.45	311	43	T4	T4	T4
		36.444	1.31	316	38	T4	T4	T4
		40.233	1.25	332	35	T4	T4	T4
		45.333	1.06	319	31	T4	T4	T4
GFL05-2N □□□	□E	3.333	4.60	101	420	T4	T3	T4
	1E 1E 2E 3E 4E	4.571	4.60	139	306	T4	T4	T4
	100 112 90 80 90	5.133	4.60	156	273	T4	T3	T4
	160 160 160 160 200	5.667	4.60	172	247	T4	T3	T4
		6.400	3.70	157	219	T4	T4	T4
		7.040	4.29	200	199	T4	T4	T4
		7.771	4.05	208	180	T4	T4	T4
		9.010	3.62	216	155	T4	T4	T4
		9.946	3.42	225	141	T4	T4	T4
		11.360	2.99	225	123	T4	T4	T4
		12.800	2.71	230	109	T4	T4	T4
		14.538	2.53	243	96	T4	T4	T4
		15.904	2.37	250	88	T4	T4	T4
		17.920	2.14	254	78	T4	T4	T4
		20.286	2.00	268	69	T4	T4	T4
		22.857	1.81	275	61	T4	T4	T4
		24.850	1.74	287	56	T4	T4	T4
		28.000	1.58	293	50	T4	T4	T4

## $n_1 = 700 \text{ rpm}$

GFL05-2N □□□	1B	6.400	0.72	61	109	T4	T4	T4
	71	15.904	0.72	152	44	T4	T4	T4
	105	17.920	0.72	171	39	T4	T4	T4
		20.286	0.61	163	35	T4	T4	T4
		22.857	0.61	184	31	T4	T4	T4
		32.344	0.42	180	22	T4	T4	T4
		36.444	0.42	203	19	T4	T4	T4
		40.233	0.35	187	17	T4	T4	T4
		45.333	0.35	211	15	T4	T4	T4
		52.067	0.28	194	13	T4	T4	T4
		58.667	0.28	219	12	T4	T4	T4
		63.190	0.24	197	11	T4	T4	T4
		71.200	0.24	222	9.8	T4	T4	T4
		80.763	0.19	202	8.7	T4	T4	T4
		91.000	0.19	227	7.7	T4	T4	T4
	GFL05-2N □□□	□C	6.400	1.13	96	109	T4	T4
1C 2C 3C 4C 6C 7C		9.010	1.18	141	78	T4	T4	T4
80 71 71 71 63 80		9.946	1.18	156	70	T4	T4	T4
160 160 105 120 160 120		14.538	1.18	228	48	T4	T4	T4
		15.904	1.13	238	44	T4	T4	T4
		17.920	1.07	254	39	T4	T4	T4
		20.286	0.95	256	35	T4	T4	T4
		22.857	0.91	275	31	T4	T4	T4
		24.850	0.82	270	28	T4	T4	T4
		28.000	0.79	293	25	T4	T4	T4
		32.344	0.66	282	22	T4	T4	T4
		36.444	0.66	316	19	T4	T4	T4
		40.233	0.55	293	17	T4	T4	T4
		45.333	0.53	319	15	T4	T4	T4
		52.067	0.44	304	13	T4	T4	T4
		58.667	0.41	322	12	T4	T4	T4
		63.190	0.34	282	11	T4	T4	T4
		71.200	0.32	305	9.8	T4	T4	T4

For dimensions, see page 4-78 onwards.

# Shaft-mounted helical gearbox selection tables

Gearboxes with mounting flange for Atex category 2GD. 3GD (zone 1, 21, 2, 22)



$M_2 \text{ perm} \leq 332 \text{ Nm}$		GFL05-2N □□□				
Gearbox with	Mounting flange size Motor frame size Flange diameter	i	$P_1 \text{ perm}$ [kW]	$M_2 \text{ perm}$ [Nm]	$n_2$ [rpm]	Temperature class
						T3 (G) $\cong$ 190 °C (D) T4 (G) $\cong$ 125 °C (D)
						Mounting position
						A, B, E, F      C      D

## $n_1 = 700 \text{ rpm}$

GFL05-2N □□□ □D	1D	2D										
	90	80										
	160	160										
			3.333	1.54	68	210	T4	T4	T4			
			4.571	1.54	93	153	T4	T4	T4			
			5.133	1.54	105	136	T4	T4	T4			
			5.667	1.54	115	124	T4	T4	T4			
			6.400	1.52	129	109	T4	T4	T4			
			7.040	1.54	143	99	T4	T4	T4			
			7.771	1.54	158	90	T4	T4	T4			
			9.010	1.54	184	78	T4	T4	T4			
			9.946	1.54	203	70	T4	T4	T4			
			11.360	1.49	225	62	T4	T4	T4			
			12.800	1.36	230	55	T4	T4	T4			
			14.538	1.26	243	48	T4	T4	T4			
			15.904	1.19	250	44	T4	T4	T4			
			17.920	1.07	254	39	T4	T4	T4			
		20.286	1.00	268	35	T4	T4	T4				
		22.857	0.91	275	31	T4	T4	T4				
		24.850	0.87	287	28	T4	T4	T4				
		28.000	0.79	293	25	T4	T4	T4				
		32.344	0.73	311	22	T4	T4	T4				
		36.444	0.66	316	19	T4	T4	T4				
		40.233	0.62	332	17	T4	T4	T4				
		45.333	0.53	319	15	T4	T4	T4				
GFL05-2N □□□ □E	1E	1E	2E	3E	4E							
	100	112	90	80	90							
	160	160	160	160	200							
			3.333	2.30	101	210	T4	T4	T4			
			4.571	2.30	139	153	T4	T4	T4			
			5.133	2.30	156	136	T4	T4	T4			
			5.667	2.30	172	124	T4	T4	T4			
			6.400	1.85	157	109	T4	T4	T4			
			7.040	2.15	200	99	T4	T4	T4			
			7.771	2.03	208	90	T4	T4	T4			
			9.010	1.81	216	78	T4	T4	T4			
			9.946	1.71	225	70	T4	T4	T4			
			11.360	1.49	225	62	T4	T4	T4			
			12.800	1.36	230	55	T4	T4	T4			
			14.538	1.26	243	48	T4	T4	T4			
			15.904	1.19	250	44	T4	T4	T4			
			17.920	1.07	254	39	T4	T4	T4			
		20.286	1.00	268	35	T4	T4	T4				
		22.857	0.91	275	31	T4	T4	T4				
		24.850	0.87	287	28	T4	T4	T4				
		28.000	0.79	293	25	T4	T4	T4				

For dimensions, see page 4-78 onwards.

# Shaft-mounted helical gearbox selection tables

Gearboxes with mounting flange for Atex category 2GD, 3GD (zone 1, 21, 2, 22)

$M_2 \text{ perm} \leq 345 \text{ Nm}$		GFL05-3N □□□						
Gearbox with	Mounting flange size Motor frame size Flange diameter	i	$P_1 \text{ perm}$ [kW]	$M_2 \text{ perm}$ [Nm]	$n_2$ [rpm]	Temperature class		
						T3 (G) $\cong$ 190 °C (D) T4 (G) $\cong$ 125 °C (D)		
						Mounting position		
						A, B, E, F	C	D

## $n_1 = 1400 \text{ rpm}$

GFL05-3N □□□	1A 63 90		61.653	0.41	163	23	T4	T4	T4
			78.639	0.35	177	18	T4	T4	T4
			90.123	0.41	238	16	T4	T4	T4
			101.547	0.40	267	14	T4	T4	T4
			114.952	0.35	259	12	T4	T4	T4
			129.524	0.34	290	11	T4	T4	T4
			177.027	0.26	300	7.9	T4	T4	T4
			199.467	0.25	328	7.0	T4	T4	T4
			227.989	0.22	325	6.1	T4	T4	T4
			256.889	0.20	328	5.5	T4	T4	T4
			288.948	0.18	345	4.9	T4	T4	T4
			325.576	0.15	328	4.3	T4	T4	T4
			362.100	0.15	345	3.9	T4	T4	T4
			408.000	0.12	328	3.4	T4	T4	T4
			477.052	0.11	345	2.9	T4	T4	T4
	537.524	0.09	328	2.6	T4	T4	T4		
GFL05-3N □□□	□B 1B 2B 71 63 105 90		61.653	0.41	163	23	T4	T4	T4
			78.639	0.35	177	18	T4	T4	T4
			90.123	0.41	238	16	T4	T4	T4
			101.547	0.40	267	14	T4	T4	T4
			114.952	0.35	259	12	T4	T4	T4
			129.524	0.34	290	11	T4	T4	T4
			140.817	0.30	276	9.9	T4	T4	T4
			158.667	0.30	312	8.8	T4	T4	T4
			177.027	0.26	300	7.9	T4	T4	T4
			199.467	0.25	328	7.0	T4	T4	T4
			227.989	0.22	325	6.1	T4	T4	T4
			256.889	0.20	328	5.5	T4	T4	T4
			288.948	0.18	345	4.9	T4	T4	T4
			325.576	0.15	328	4.3	T4	T4	T4
			362.100	0.15	345	3.9	T4	T4	T4
	408.000	0.12	328	3.4	T4	T4	T4		
GFL05-3N □□□	□C 1C 2C 3C 4C 6C 7C 80 71 71 71 63 80 160 160 105 120 160 120		61.653	0.41	163	23	T4	T4	T4
			78.639	0.35	177	18	T4	T4	T4
			90.123	0.41	238	16	T4	T4	T4
			101.547	0.40	267	14	T4	T4	T4
			114.952	0.35	259	12	T4	T4	T4
			129.524	0.34	290	11	T4	T4	T4
			140.817	0.30	276	9.9	T4	T4	T4
			158.667	0.30	312	8.8	T4	T4	T4
			177.027	0.26	300	7.9	T4	T4	T4
			199.467	0.25	328	7.0	T4	T4	T4
			227.989	0.22	325	6.1	T4	T4	T4
			256.889	0.20	328	5.5	T4	T4	T4

## $n_1 = 700 \text{ rpm}$

GFL05-3N □□□	1A 63 90		61.653	0.20	163	11	T4	T4	T4
			78.639	0.17	177	8.9	T4	T4	T4
			90.123	0.20	238	7.8	T4	T4	T4
			101.547	0.20	267	6.9	T4	T4	T4
			114.952	0.17	259	6.1	T4	T4	T4
			129.524	0.17	290	5.4	T4	T4	T4
			177.027	0.13	300	4.0	T4	T4	T4
			199.467	0.13	328	3.5	T4	T4	T4
			227.989	0.11	325	3.1	T4	T4	T4
			256.889	0.10	328	2.7	T4	T4	T4
			288.948	0.09	345	2.4	T4	T4	T4
			325.576	0.08	328	2.2	T4	T4	T4
			362.100	0.07	345	1.9	T4	T4	T4
			408.000	0.06	328	1.7	T4	T4	T4
			477.052	0.06	345	1.5	T4	T4	T4
	537.524	0.05	328	1.3	T4	T4	T4		

For dimensions, see page 4-78 onwards.



# Shaft-mounted helical gearbox selection tables

Gearboxes with mounting flange for Atex category 2GD. 3GD (zone 1, 21, 2, 22)



$M_2 \text{ perm} \leq 345 \text{ Nm}$		GFL05-3N □□□						
Gearbox with	Mounting flange size Motor frame size Flange diameter	i	$P_1 \text{ perm}$ [kW]	$M_2 \text{ perm}$ [Nm]	$n_2$ [rpm]	Temperature class		
						T3 (G) $\cong$ 190 °C (D) T4 (G) $\cong$ 125 °C (D)		
						Mounting position		
						A, B, E, F	C	D
<b><math>n_1 = 700 \text{ rpm}</math></b>								
GFL05-3N □□□ □B	1B 2B	61.653	0.20	163	11	T4	T4	T4
	71 63	78.639	0.17	177	8.9	T4	T4	T4
	105 90	90.123	0.20	238	7.8	T4	T4	T4
		101.547	0.20	267	6.9	T4	T4	T4
		114.952	0.17	259	6.1	T4	T4	T4
		129.524	0.17	290	5.4	T4	T4	T4
		140.817	0.15	276	5.0	T4	T4	T4
		158.667	0.15	312	4.4	T4	T4	T4
		177.027	0.13	300	4.0	T4	T4	T4
		199.467	0.13	328	3.5	T4	T4	T4
		227.989	0.11	325	3.1	T4	T4	T4
		256.889	0.10	328	2.7	T4	T4	T4
		288.948	0.09	345	2.4	T4	T4	T4
		325.576	0.08	328	2.2	T4	T4	T4
	362.100	0.07	345	1.9	T4	T4	T4	
	408.000	0.06	328	1.7	T4	T4	T4	
GFL05-3N □□□ □C	1C 2C 3C 4C 6C 7C	61.653	0.20	163	11	T4	T4	T4
	80 71 71 71 63 80	78.639	0.17	177	8.9	T4	T4	T4
	160 160 105 120 160 120	90.123	0.20	238	7.8	T4	T4	T4
		101.547	0.20	267	6.9	T4	T4	T4
		114.952	0.17	259	6.1	T4	T4	T4
		129.524	0.17	290	5.4	T4	T4	T4
		140.817	0.15	276	5.0	T4	T4	T4
		158.667	0.15	312	4.4	T4	T4	T4
		177.027	0.13	300	4.0	T4	T4	T4
		199.467	0.13	328	3.5	T4	T4	T4
		227.989	0.11	325	3.1	T4	T4	T4
		256.889	0.10	328	2.7	T4	T4	T4

For dimensions, see page 4-78 onwards.

# Shaft-mounted helical gearbox selection tables

Gearboxes with mounting flange for Atex category 2GD, 3GD (zone 1, 21, 2, 22)

$M_2 \text{ perm} \leq 657 \text{ Nm}$		GFL06-2N □□□								
Gearbox with	Mounting flange size Motor frame size Flange diameter	i	$P_1 \text{ perm}$ [kW]	$M_2 \text{ perm}$ [Nm]	$n_2$ [rpm]	Temperature class				
						T3 (G) $\cong$ 190 °C (D) T4 (G) $\cong$ 125 °C (D)				
						Mounting position				
						A, B, E, F	C	D		
<b><math>n_1 = 2800 \text{ rpm}</math></b>										
GFL06-2N □□□	<b>1B</b>	52.800	1.28	224	53	T4	T4	-		
	<b>71</b>	59.481	1.28	252	47	T4	T4	-		
	<b>105</b>	64.080	1.07	227	44	T4	T4	-		
		72.189	1.16	277	39	T4	T4	-		
		81.000	0.93	249	35	T4	T4	-		
		91.250	0.93	280	31	T4	T4	-		
GFL06-2N □□□	□C	20.571	3.04	207	136	T3	T3	-		
	<b>1C</b> 2C 3C 4C 6C 7C	23.175	3.04	233	121	T3	T3	-		
	<b>80</b> 71 71 71 63 80	32.800	3.00	325	85	T4	T3	-		
	<b>160</b> 160 105 120 160 120	36.951	3.00	366	76	T4	T3	-		
		40.800	2.51	338	69	T4	T3	-		
		45.963	2.51	381	61	T4	T3	-		
		52.800	2.01	351	53	T4	T4	-		
		59.481	2.01	396	47	T4	T4	-		
		64.080	1.68	356	44	T4	T4	-		
		72.189	1.82	434	39	T4	T4	-		
		81.000	1.46	391	35	T4	T4	-		
		91.250	1.46	440	31	T4	T4	-		
		GFL06-2N □□□	□D	6.450	3.75	80	434	T3	T3	-
	<b>1D</b> 2D		10.092	3.75	125	278	T3	T3	-	
<b>90</b> 80	14.743		3.75	183	190	T3	T3	-		
<b>160</b> 160	16.128		3.75	200	174	T3	T3	-		
	18.169		3.75	225	154	T3	T3	-		
	20.571		3.75	255	136	T3	T3	-		
	23.175		3.75	288	121	T3	T3	-		
	25.200		4.26	355	111	T3	T3	-		
	28.389		4.26	400	99	T3	T3	-		
	32.800		4.03	437	85	T4	T3	-		
	36.951		4.03	493	76	T4	T3	-		
	40.800		3.36	454	69	T4	T3	-		
	45.963		3.36	512	61	T4	T3	-		
	52.800		2.70	472	53	T4	T4	-		
	59.481		2.70	532	47	T4	T4	-		
	64.080		2.25	478	44	T4	T4	-		
	72.189		2.44	583	39	T4	T4	-		
	GFL06-2N □□□		□E	3.675	10.72	130	762	T3	T3	-
			<b>1E</b> 1E 2E 3E 4E	5.211	10.72	185	537	T3	T3	-
			<b>100</b> 112 90 80 90	5.750	10.72	204	487	T3	T3	-
		<b>160</b> 160 160 160 200	6.450	10.55	225	434	T3	T3	-	
7.147			10.72	253	392	T3	T3	-		
8.400			10.72	298	333	T3	T3	-		
9.463			10.72	336	296	T3	T3	-		
10.092			10.55	352	278	T3	T3	-		
11.520			10.72	408	243	T3	T3	-		
12.978			10.26	441	216	T3	T3	-		
14.743			9.61	469	190	T3	T3	-		
16.128			8.97	479	174	T3	T3	-		
18.169			8.02	482	154	T3	T3	-		
20.571			7.54	514	136	T3	T3	-		
23.175			6.39	490	121	T3	T3	-		
25.200			7.20	600	111	T3	T3	-		
28.389			5.96	560	99	T3	T3	-		
32.800			5.45	591	85	T3	T3	-		
36.951			4.61	564	76	T3	T3	-		
40.800			4.49	606	69	T4	T3	-		
45.963	3.72		565	61	T4	T3	-			
GFL06-2N □□□	□F	3.675	10.72	130	762	T3	-	-		
	<b>1F</b> 1F 2F 3F	5.211	10.72	185	537	T3	-	-		
	<b>100</b> 112 90 90	5.750	10.72	204	487	T3	-	-		
	<b>160</b> 160 160 200	6.450	10.72	229	434	T3	-	-		

For dimensions, see page 4-78 onwards.

# Shaft-mounted helical gearbox selection tables

Gearboxes with mounting flange for Atex category 2GD. 3GD (zone 1, 21, 2, 22)



$M_2 \text{ perm} \leq 657 \text{ Nm}$				GFL06-2N □□□						
Gearbox with	Mounting flange size			i	$P_1 \text{ perm}$	$M_2 \text{ perm}$	$n_2$	Temperature class		
	Motor frame size	Flange diameter						T3 (G) $\cong$ 190 °C (D) T4 (G) $\cong$ 125 °C (D)		
					[kW]	[Nm]	[rpm]	Mounting position		
								A, B, E, F	C	D
<b><math>n_1 = 2800 \text{ rpm}</math></b>										
GFL06-2N □□□	□F			7.147	10.72	253	392	T3	-	-
	1F	2F	3F	8.400	10.72	298	333	T3	-	-
	100	112	90	9.463	10.72	336	296	T3	-	-
	160	160	200	10.092	10.72	358	278	T3	-	-
				11.520	10.72	408	243	T3	-	-
				12.978	10.26	441	216	T3	-	-
				14.743	9.61	469	190	T3	-	-
				16.128	8.97	479	174	T3	-	-
				18.169	8.02	482	154	T3	-	-
				20.571	7.54	514	136	T3	-	-
				23.175	6.39	490	121	T3	-	-
				25.200	7.20	600	111	T3	-	-
				28.389	5.96	560	99	T3	-	-
<b><math>n_1 = 1400 \text{ rpm}</math></b>										
GFL06-2N □□□	1B			52.800	0.69	242	27	T4	T4	T4
	71			59.481	0.69	273	24	T4	T4	T4
	105			64.080	0.58	246	22	T4	T4	T4
				72.189	0.58	277	19	T4	T4	T4
				81.000	0.46	249	17	T4	T4	T4
				91.250	0.46	280	15	T4	T4	T4
GFL06-2N □□□	□C			20.571	1.87	254	68	T4	T4	T4
	1C	2C	3C	23.175	1.87	287	60	T4	T4	T4
	80	71	71	32.800	1.62	352	43	T4	T4	T4
	160	160	105	36.951	1.62	397	38	T4	T4	T4
				40.800	1.36	367	34	T4	T4	T4
				45.963	1.36	413	31	T4	T4	T4
				52.800	1.09	381	27	T4	T4	T4
				59.481	1.09	429	24	T4	T4	T4
				64.080	0.91	386	22	T4	T4	T4
				72.189	0.91	434	19	T4	T4	T4
				81.000	0.73	391	17	T4	T4	T4
				91.250	0.73	440	15	T4	T4	T4
GFL06-2N □□□	□D			6.450	2.31	99	217	T4	T4	T4
	1D	2D		10.092	2.31	154	139	T4	T4	T4
	90	80		14.743	2.31	225	95	T4	T4	T4
	160	160		16.128	2.31	246	87	T4	T4	T4
				18.169	2.31	278	77	T4	T4	T4
				20.571	2.31	314	68	T4	T4	T4
				23.175	2.31	354	60	T4	T4	T4
				25.200	2.31	385	56	T4	T4	T4
				28.389	2.31	434	49	T4	T4	T4
				32.800	2.18	474	43	T4	T4	T4
				36.951	2.18	534	38	T4	T4	T4
				40.800	1.82	492	34	T4	T4	T4
				45.963	1.82	555	31	T4	T4	T4
				52.800	1.46	511	27	T4	T4	T4
				59.481	1.46	576	24	T4	T4	T4
				64.080	1.22	518	22	T4	T4	T4
				72.189	1.22	583	19	T4	T4	T4
GFL06-2N □□□	□E			3.675	6.60	160	381	T3	T3	T3
	1E	1E	2E	5.211	6.60	228	269	T3	T3	T3
	100	112	90	5.750	6.60	251	244	T3	T3	T3
	160	160	160	6.450	6.50	277	217	T4	T4	T4
				7.147	6.60	312	196	T4	T3	T4
				8.400	6.60	367	167	T3	T3	T3
				9.463	6.60	413	148	T3	T3	T3
				10.092	6.50	434	139	T4	T4	T4
				11.520	6.60	503	122	T4	T3	T4
				12.978	6.32	543	108	T4	T3	T4

For dimensions, see page 4-78 onwards.

# Shaft-mounted helical gearbox selection tables

Gearboxes with mounting flange for Atex category 2GD, 3GD (zone 1, 21, 2, 22)

$M_2 \text{ perm} \leq 657 \text{ Nm}$				GFL06-2N □□□						
Gearbox with	Mounting flange size			i	$P_{1 \text{ perm}}$	$M_2 \text{ perm}$	$n_2$	Temperature class		
	Motor frame size	Flange diameter						T3 (G) $\cong$ 190 °C (D) T4 (G) $\cong$ 125 °C (D)		
					[kW]	[Nm]	[rpm]	Mounting position		
								A, B, E, F	C	D

## $n_1 = 1400 \text{ rpm}$

GFL06-2N □□□	□E				14.743	5.91	577	95	T4	T4	T4
	1E	1E	2E	3E	16.128	5.52	589	87	T4	T4	T4
	100	112	90	80	18.169	4.94	594	77	T4	T4	T4
	160	160	160	160	20.571	4.64	632	68	T4	T4	T4
					23.175	3.94	604	60	T4	T4	T4
					25.200	3.90	651	56	T4	T4	T4
					28.389	3.23	607	49	T4	T4	T4
					32.800	2.95	641	43	T4	T4	T4
					36.951	2.50	611	38	T4	T4	T4
					40.800	2.43	657	34	T4	T4	T4
					45.963	2.01	613	31	T4	T4	T4
	GFL06-2N □□□	□F				3.675	6.60	160	381	T3	T3
1F		1F	2F	3F	5.211	6.60	228	269	T3	T3	T3
100		112	90	90	5.750	6.60	251	244	T3	T3	T3
160		160	160	200	6.450	6.60	282	217	T4	T4	T4
					7.147	6.60	312	196	T4	T3	T4
					8.400	6.60	367	167	T3	T3	T3
					9.463	6.60	413	148	T3	T3	T3
					10.092	6.60	441	139	T4	T4	T4
					11.520	6.60	503	122	T4	T3	T4
					12.978	6.32	543	108	T4	T3	T4
					14.743	5.91	577	95	T4	T4	T4
					16.128	5.52	589	87	T4	T4	T4
					18.169	4.94	594	77	T4	T4	T4
					20.571	4.64	632	68	T4	T4	T4
					23.175	3.94	604	60	T4	T4	T4
					25.200	3.90	651	56	T4	T4	T4
					28.389	3.23	607	49	T4	T4	T4

## $n_1 = 700 \text{ rpm}$

GFL06-2N □□□	1B				52.800	0.35	242	13	T4	T4	T4	
	71				59.481	0.35	273	12	T4	T4	T4	
	105				64.080	0.29	246	11	T4	T4	T4	
					72.189	0.29	277	9.7	T4	T4	T4	
					81.000	0.23	249	8.6	T4	T4	T4	
					91.250	0.23	280	7.7	T4	T4	T4	
GFL06-2N □□□	□C				20.571	1.18	320	34	T4	T4	T4	
	1C	2C	3C	4C	23.175	1.18	361	30	T4	T4	T4	
	80	71	71	71	32.800	0.81	352	21	T4	T4	T4	
	160	160	105	120	36.951	0.81	397	19	T4	T4	T4	
					40.800	0.68	367	17	T4	T4	T4	
					45.963	0.68	413	15	T4	T4	T4	
					52.800	0.54	381	13	T4	T4	T4	
					59.481	0.54	429	12	T4	T4	T4	
					64.080	0.45	386	11	T4	T4	T4	
					72.189	0.45	434	9.7	T4	T4	T4	
					81.000	0.36	391	8.6	T4	T4	T4	
					91.250	0.36	440	7.7	T4	T4	T4	
	GFL06-2N □□□	□D				6.450	1.54	131	109	T4	T4	T4
		1D	2D			10.092	1.54	206	69	T4	T4	T4
90		80			14.743	1.54	300	48	T4	T4	T4	
160		160			16.128	1.54	329	43	T4	T4	T4	
					18.169	1.54	370	39	T4	T4	T4	
					20.571	1.54	419	34	T4	T4	T4	
					23.175	1.54	472	30	T4	T4	T4	
					25.200	1.36	453	28	T4	T4	T4	
					28.389	1.36	511	25	T4	T4	T4	
					32.800	1.09	474	21	T4	T4	T4	
					36.951	1.09	534	19	T4	T4	T4	
					40.800	0.91	492	17	T4	T4	T4	

For dimensions, see page 4-78 onwards.

# Shaft-mounted helical gearbox selection tables

Gearboxes with mounting flange for Atex category 2GD. 3GD (zone 1, 21, 2, 22)



$M_2 \text{ perm} \leq 657 \text{ Nm}$		GFL06-2N □□□						
Gearbox with	Mounting flange size Motor frame size Flange diameter	i	$P_{1 \text{ perm}}$ [kW]	$M_2 \text{ perm}$ [Nm]	$n_2$ [rpm]	Temperature class		
						T3 (G) $\cong$ 190 °C (D) T4 (G) $\cong$ 125 °C (D)		
						Mounting position		
						A, B, E, F	C	D

## $n_1 = 700 \text{ rpm}$

GFL06-2N □□□	□D	1D	2D			45.963	0.91	555	15	T4	T4	T4	
		90	80			52.800	0.73	511	13	T4	T4	T4	
		160	160			59.481	0.73	576	12	T4	T4	T4	
						64.080	0.61	518	11	T4	T4	T4	
						72.189	0.61	583	9.7	T4	T4	T4	
GFL06-2N □□□	□E	1E	1E	2E	3E	4E	3.675	3.85	187	191	T4	T4	T4
		100	112	90	80	90	5.211	3.85	266	134	T4	T4	T4
		160	160	160	160	200	5.750	3.85	293	122	T4	T4	T4
							6.450	3.25	277	109	T4	T4	T4
							7.147	3.85	365	98	T4	T4	T4
							8.400	3.85	429	83	T4	T4	T4
							9.463	3.85	483	74	T4	T4	T4
							10.092	3.25	434	69	T4	T4	T4
							11.520	3.54	540	61	T4	T4	T4
							12.978	3.16	543	54	T4	T4	T4
							14.743	2.96	577	48	T4	T4	T4
							16.128	2.76	589	43	T4	T4	T4
							18.169	2.47	594	39	T4	T4	T4
							20.571	2.32	632	34	T4	T4	T4
							23.175	1.97	604	30	T4	T4	T4
							25.200	1.95	651	28	T4	T4	T4
							28.389	1.62	607	25	T4	T4	T4
							32.800	1.48	641	21	T4	T4	T4
							36.951	1.25	611	19	T4	T4	T4
							40.800	1.22	657	17	T4	T4	T4
							45.963	1.01	613	15	T4	T4	T4
GFL06-2N □□□	□F	1F	1F	2F	3F	3.675	4.06	198	191	T4	T4	T4	
		100	112	90	90	5.211	4.06	280	134	T4	T4	T4	
		160	160	160	200	5.750	4.06	309	122	T4	T4	T4	
						6.450	3.42	292	109	T4	T4	T4	
						7.147	4.06	384	98	T4	T4	T4	
						8.400	4.06	452	83	T4	T4	T4	
						9.463	4.00	501	74	T4	T4	T4	
						10.092	3.42	457	69	T4	T4	T4	
						11.520	3.54	540	61	T4	T4	T4	
						12.978	3.16	543	54	T4	T4	T4	
						14.743	2.96	577	48	T4	T4	T4	
						16.128	2.76	589	43	T4	T4	T4	
						18.169	2.47	594	39	T4	T4	T4	
						20.571	2.32	632	34	T4	T4	T4	
						23.175	1.97	604	30	T4	T4	T4	
						25.200	1.95	651	28	T4	T4	T4	
						28.389	1.62	607	25	T4	T4	T4	

For dimensions, see page 4-78 onwards.

# Shaft-mounted helical gearbox selection tables

Gearboxes with mounting flange for Atex category 2GD, 3GD (zone 1, 21, 2, 22)

$M_2 \text{ perm} \leq 657 \text{ Nm}$		GFL06-3N □□□						
Gearbox with	Mounting flange size Motor frame size Flange diameter	i	$P_1 \text{ perm}$ [kW]	$M_2 \text{ perm}$ [Nm]	$n_2$ [rpm]	Temperature class		
						T3 (G) $\cong$ 190 °C (D) T4 (G) $\cong$ 125 °C (D)		
						Mounting position		
						A, B, E, F	C	D

## $n_1 = 1400 \text{ rpm}$

GFL06-3N □□□	1A 63 90		66.213	0.59	255	21	T4	T4	T4
			72.000	0.59	277	19	T4	T4	T4
			81.111	0.59	312	17	T4	T4	T4
			116.571	0.54	411	12	T4	T4	T4
			131.323	0.56	476	11	T4	T4	T4
			144.320	0.47	444	9.7	T4	T4	T4
			162.583	0.51	542	8.6	T4	T4	T4
			179.520	0.41	480	7.8	T4	T4	T4
			202.237	0.43	566	6.9	T4	T4	T4
			231.200	0.35	528	6.1	T4	T4	T4
			260.457	0.36	613	5.4	T4	T4	T4
			293.018	0.31	592	4.8	T4	T4	T4
			299.200	0.29	572	4.7	T4	T4	T4
			367.200	0.27	638	3.8	T4	T4	T4
			413.667	0.23	614	3.4	T4	T4	T4
			475.200	0.21	657	3.0	T4	T4	T4
			535.333	0.18	613	2.6	T4	T4	T4
			576.720	0.16	614	2.4	T4	T4	T4
			649.700	0.15	615	2.2	T4	T4	T4
			759.806	0.11	524	1.8	T4	T4	T4
	855.954	0.10	563	1.6	T4	T4	T4		
GFL06-3N □□□	□B 1B 2B 71 63 105 90		66.213	0.86	373	21	T4	T4	T4
			72.000	0.80	373	19	T4	T4	T4
			81.111	0.71	373	17	T4	T4	T4
			88.200	0.64	370	16	T4	T4	T4
			99.361	0.64	416	14	T4	T4	T4
			116.571	0.55	419	12	T4	T4	T4
			131.323	0.56	476	11	T4	T4	T4
			144.320	0.47	444	9.7	T4	T4	T4
			162.583	0.51	542	8.6	T4	T4	T4
			179.520	0.41	480	7.8	T4	T4	T4
			202.237	0.43	566	6.9	T4	T4	T4
			231.200	0.35	528	6.1	T4	T4	T4
			260.457	0.36	613	5.4	T4	T4	T4
			293.018	0.31	592	4.8	T4	T4	T4
			299.200	0.29	572	4.7	T4	T4	T4
			367.200	0.27	638	3.8	T4	T4	T4
			413.667	0.23	614	3.4	T4	T4	T4
			475.200	0.21	657	3.0	T4	T4	T4
			535.333	0.18	613	2.6	T4	T4	T4
			576.720	0.16	614	2.4	T4	T4	T4
	649.700	0.15	615	2.2	T4	T4	T4		
GFL06-3N □□□	□C 1C 2C 3C 4C 6C 7C 80 71 71 71 63 80 160 160 105 120 160 120		66.213	0.86	373	21	T4	T4	T4
			72.000	0.80	373	19	T4	T4	T4
			81.111	0.71	373	17	T4	T4	T4
			88.200	0.64	370	16	T4	T4	T4
			99.361	0.64	416	14	T4	T4	T4
			116.571	0.55	419	12	T4	T4	T4
			131.323	0.56	476	11	T4	T4	T4
			144.320	0.47	444	9.7	T4	T4	T4
			162.583	0.51	542	8.6	T4	T4	T4
			179.520	0.41	480	7.8	T4	T4	T4
			202.237	0.43	566	6.9	T4	T4	T4
			231.200	0.35	528	6.1	T4	T4	T4
			260.457	0.36	613	5.4	T4	T4	T4
			299.200	0.29	572	4.7	T4	T4	T4
GFL06-3N □□□	□D 1D 2D 90 80 160 160		66.213	0.86	373	21	T4	T4	T4
			72.000	0.80	373	19	T4	T4	T4
			81.111	0.71	373	17	T4	T4	T4
			88.200	0.64	370	16	T4	T4	T4
			99.361	0.64	416	14	T4	T4	T4
			131.323	0.56	476	11	T4	T4	T4

For dimensions, see page 4-78 onwards.

# Shaft-mounted helical gearbox selection tables

Gearboxes with mounting flange for Atex category 2GD. 3GD (zone 1, 21, 2, 22)



$M_2 \text{ perm} \leq 657 \text{ Nm}$		GFL06-3N □□□						
Gearbox with	Mounting flange size Motor frame size Flange diameter	i	$P_1 \text{ perm}$ [kW]	$M_2 \text{ perm}$ [Nm]	$n_2$ [rpm]	Temperature class		
						T3 (G) $\cong$ 190 °C (D) T4 (G) $\cong$ 125 °C (D)		
						Mounting position		
						A, B, E, F	C	D

## $n_1 = 700 \text{ rpm}$

GFL06-3N □□□	1A 63 90		66.213	0.30	255	11	T4	T4	T4		
			72.000	0.30	277	9.7	T4	T4	T4		
			81.111	0.30	312	8.6	T4	T4	T4		
			116.571	0.27	411	6.0	T4	T4	T4		
			131.323	0.28	476	5.3	T4	T4	T4		
			144.320	0.24	444	4.9	T4	T4	T4		
			162.583	0.26	542	4.3	T4	T4	T4		
			179.520	0.21	480	3.9	T4	T4	T4		
			202.237	0.21	566	3.5	T4	T4	T4		
			231.200	0.18	528	3.0	T4	T4	T4		
			260.457	0.18	613	2.7	T4	T4	T4		
			293.018	0.15	592	2.4	T4	T4	T4		
			299.200	0.15	572	2.3	T4	T4	T4		
			367.200	0.13	638	1.9	T4	T4	T4		
			413.667	0.11	614	1.7	T4	T4	T4		
			475.200	0.11	657	1.5	T4	T4	T4		
			535.333	0.09	613	1.3	T4	T4	T4		
			576.720	0.08	614	1.2	T4	T4	T4		
			649.700	0.07	615	1.1	T4	T4	T4		
			759.806	0.05	524	0.9	T4	T4	T4		
	855.954	0.05	563	0.8	T4	T4	T4				
GFL06-3N □□□	□B 1B 2B 71 63 105 90		66.213	0.43	373	11	T4	T4	T4		
			72.000	0.40	373	9.7	T4	T4	T4		
			81.111	0.35	373	8.6	T4	T4	T4		
			88.200	0.32	370	7.9	T4	T4	T4		
			99.361	0.32	416	7.1	T4	T4	T4		
			116.571	0.28	419	6.0	T4	T4	T4		
			131.323	0.28	476	5.3	T4	T4	T4		
			144.320	0.24	444	4.9	T4	T4	T4		
			162.583	0.26	542	4.3	T4	T4	T4		
			179.520	0.21	480	3.9	T4	T4	T4		
			202.237	0.21	566	3.5	T4	T4	T4		
			231.200	0.18	528	3.0	T4	T4	T4		
			260.457	0.18	613	2.7	T4	T4	T4		
			293.018	0.15	592	2.4	T4	T4	T4		
			299.200	0.15	572	2.3	T4	T4	T4		
			367.200	0.13	638	1.9	T4	T4	T4		
			413.667	0.11	614	1.7	T4	T4	T4		
			475.200	0.11	657	1.5	T4	T4	T4		
			535.333	0.09	613	1.3	T4	T4	T4		
			576.720	0.08	614	1.2	T4	T4	T4		
	649.700	0.07	615	1.1	T4	T4	T4				
GFL06-3N □□□	□C 1C 2C 3C 4C 6C 7C 80 71 71 71 63 80 160 160 105 120 160 120		66.213	0.43	373	11	T4	T4	T4		
			72.000	0.40	373	9.7	T4	T4	T4		
			81.111	0.35	373	8.6	T4	T4	T4		
			88.200	0.32	370	7.9	T4	T4	T4		
			99.361	0.32	416	7.1	T4	T4	T4		
			116.571	0.28	419	6.0	T4	T4	T4		
			131.323	0.28	476	5.3	T4	T4	T4		
			144.320	0.24	444	4.9	T4	T4	T4		
			162.583	0.26	542	4.3	T4	T4	T4		
			179.520	0.21	480	3.9	T4	T4	T4		
			202.237	0.21	566	3.5	T4	T4	T4		
			231.200	0.18	528	3.0	T4	T4	T4		
			260.457	0.18	613	2.7	T4	T4	T4		
			299.200	0.15	572	2.3	T4	T4	T4		
		GFL06-3N □□□	□D 1D 2D 90 80 160 160		66.213	0.43	373	11	T4	T4	T4
					72.000	0.40	373	9.7	T4	T4	T4
					81.111	0.35	373	8.6	T4	T4	T4
					88.200	0.32	370	7.9	T4	T4	T4
					99.361	0.32	416	7.1	T4	T4	T4
					131.323	0.28	476	5.3	T4	T4	T4

For dimensions, see page 4-78 onwards.

# Shaft-mounted helical gearbox selection tables

Gearboxes with mounting flange for Atex category 2GD, 3GD (zone 1, 21, 2, 22)

$M_2 \text{ perm} \leq 1187 \text{ Nm}$							GFL07-2N □□□							
Gearbox with	Mounting flange size Motor frame size Flange diameter						i	$P_1 \text{ perm}$ [kW]	$M_2 \text{ perm}$ [Nm]	$n_2$ [rpm]	Temperature class T3 (G) $\cong$ 190 °C (D) T4 (G) $\cong$ 125 °C (D)			
	Mounting position A, B, C E, F			D										
<b><math>n_1 = 2800 \text{ rpm}</math></b>														
GFL07-2N □□□	□C						52.067	2.47	425	54	T4	T3	-	
	<b>1C</b>	2C	3C	4C	6C	7C	58.667	2.47	479	48	T4	T3	-	
	<b>80</b>	71	71	71	63	80	63.190	2.06	431	44	T4	T4	-	
	<b>160</b>	160	105	120	160	120	71.200	2.23	526	39	T4	T4	-	
							79.875	1.79	473	35	T4	T4	-	
							90.000	1.79	533	31	T4	T4	-	
GFL07-2N □□□	□D						20.286	3.75	252	138	T3	T3	-	
	<b>1D</b>	2D					22.857	3.75	284	123	T3	T3	-	
	<b>90</b>	80					32.344	4.26	456	87	T3	T3	-	
	<b>160</b>	160					36.444	4.26	514	77	T3	T3	-	
							39.642	4.23	555	71	T3	T3	-	
							44.667	4.23	626	63	T3	T3	-	
							52.067	3.32	572	54	T4	T3	-	
							58.667	3.32	644	48	T4	T3	-	
							63.190	2.77	579	44	T4	T4	-	
							71.200	3.00	707	39	T4	T4	-	
							79.875	2.41	636	35	T4	T4	-	
							90.000	2.41	717	31	T4	T4	-	
	GFL07-2N □□□	□E						6.400	10.72	227	438	T3	T3	-
<b>1E</b>		<b>1E</b>	2E	3E	4E		9.714	10.72	344	288	T3	T3	-	
<b>100</b>		<b>112</b>	90	80	90		14.200	10.72	504	197	T3	T3	-	
<b>160</b>		<b>160</b>	160	160	200		15.904	10.72	564	176	T3	T3	-	
							17.920	10.72	635	156	T3	T3	-	
							20.286	10.44	701	138	T3	T3	-	
							22.857	10.44	790	123	T3	T3	-	
							24.850	10.21	839	113	T3	T3	-	
							28.000	10.21	946	100	T3	T3	-	
							32.344	8.21	878	87	T3	T3	-	
							36.444	8.21	990	77	T3	T3	-	
							39.642	7.03	922	71	T3	T3	-	
							44.667	7.03	1039	63	T3	T3	-	
							52.067	5.51	949	54	T4	T3	-	
							58.667	5.51	1070	48	T4	T3	-	
							63.190	3.73	781	44	T4	T3	-	
							71.200	4.05	954	39	T4	T3	-	
GFL07-2N □□□		□F						3.350	10.72	119	836	T3	-	-
		<b>1F</b>	<b>1F</b>	2F	3F			4.643	10.72	165	603	T3	-	-
	<b>100</b>	<b>112</b>	90	90			5.159	10.72	183	543	T3	-	-	
	<b>160</b>	<b>160</b>	160	200			5.695	10.72	202	492	T3	-	-	
							6.400	10.72	227	438	T3	-	-	
							7.150	10.72	254	392	T3	-	-	
							8.324	10.72	295	336	T3	-	-	
							9.379	10.72	333	299	T3	-	-	
							9.714	10.72	344	288	T3	-	-	
							11.537	10.72	409	243	T3	-	-	
							13.000	10.72	461	215	T3	-	-	
							14.200	10.72	504	197	T3	-	-	
							15.904	10.72	564	176	T3	-	-	
							17.920	10.72	635	156	T3	-	-	
							20.286	10.72	719	138	T3	-	-	
							22.857	10.72	810	123	T3	-	-	
							24.850	10.77	886	113	T3	-	-	
							28.000	10.77	998	100	T3	-	-	
							32.344	8.66	927	87	T3	-	-	
							36.444	8.66	1044	77	T3	-	-	
							39.642	7.41	972	71	T3	-	-	
							44.667	7.41	1095	63	T3	-	-	

For dimensions, see page 4-78 onwards.



# Shaft-mounted helical gearbox selection tables

Gearboxes with mounting flange for Atex category 2GD, 3GD (zone 1, 21, 2, 22)



$M_2 \text{ perm} \leq 1187 \text{ Nm}$						GFL07-2N □□□						
Gearbox with	Mounting flange size					i	$P_1 \text{ perm}$	$M_2 \text{ perm}$	$n_2$	Temperature class		
	Motor frame size									T3 (G) $\cong$ 190 °C (D)	T4 (G) $\cong$ 125 °C (D)	
	Flange diameter									Mounting position		
									A, B, E, F	C	D	
							[kW]	[Nm]	[rpm]			
<b><math>n_1 = 2800 \text{ rpm}</math></b>												
GFL07-2N □□□	□G					3.350	28.57	317	836	T3	-	-
	<b>1G</b>	2G	2G	3G		4.643	28.57	439	603	T3	-	-
	<b>132</b>	100	112	132		5.159	28.57	488	543	T3	-	-
	<b>300</b>	250	250	250		5.695	28.57	538	492	T3	-	-
						6.400	24.39	517	438	T3	-	-
						7.150	27.65	654	392	T3	-	-
						8.324	24.00	661	336	T3	-	-
						9.379	21.43	665	299	T3	-	-
						9.714	22.66	728	288	T3	-	-
						11.537	18.84	719	243	T3	-	-
						13.000	16.85	725	215	T3	-	-
						14.200	16.20	761	197	T3	-	-
						15.904	14.91	785	176	T3	-	-
						17.920	13.35	792	156	T3	-	-
						20.286	12.52	840	138	T3	-	-
						22.857	11.19	846	123	T3	-	-
						24.850	12.30	1011	113	T3	-	-
						28.000	10.95	1014	100	T3	-	-
<b><math>n_1 = 1400 \text{ rpm}</math></b>												
GFL07-2N □□□	□C					52.067	1.34	461	27	T4	T4	T4
	<b>1C</b>	2C	3C	4C	6C	7C	58.667	1.34	519	24	T4	T4
	<b>80</b>	71	71	71	63	80	63.190	1.12	467	22	T4	T4
	<b>160</b>	160	105	120	160	120	71.200	1.12	526	20	T4	T4
							79.875	0.90	473	18	T4	T4
							90.000	0.90	533	16	T4	T4
GFL07-2N □□□	□D						20.286	2.31	310	69	T4	T4
	<b>1D</b>	2D					22.857	2.31	349	61	T4	T4
	<b>90</b>	80					32.344	2.31	494	43	T4	T4
	<b>160</b>	160					36.444	2.31	557	38	T4	T4
							39.642	2.29	602	35	T4	T4
							44.667	2.29	678	31	T4	T4
							52.067	1.80	620	27	T4	T4
							58.667	1.80	698	24	T4	T4
							63.190	1.50	628	22	T4	T4
							71.200	1.50	707	20	T4	T4
							79.875	1.20	636	18	T4	T4
							90.000	1.20	717	16	T4	T4
GFL07-2N □□□	□E						6.400	6.60	279	219	T4	T3
	<b>1E</b>	<b>1E</b>	2E	3E	4E		9.714	6.60	424	144	T4	T3
	<b>100</b>	<b>112</b>	90	80	90		14.200	6.60	620	99	T4	T3
	<b>160</b>	<b>160</b>	160	160	200		15.904	6.60	694	88	T4	T3
							17.920	6.60	782	78	T4	T3
							20.286	6.43	863	69	T4	T4
							22.857	6.43	972	61	T4	T4
							24.850	5.53	910	56	T4	T4
							28.000	5.53	1025	50	T4	T4
							32.344	4.45	952	43	T4	T4
							36.444	4.45	1073	38	T4	T4
							39.642	3.81	999	35	T4	T4
							44.667	3.81	1126	31	T4	T4
							52.067	2.99	1029	27	T4	T4
							58.667	2.99	1159	24	T4	T4
							63.190	2.02	846	22	T4	T4
							71.200	2.02	954	20	T4	T4

For dimensions, see page 4-78 onwards.

# Shaft-mounted helical gearbox selection tables

Gearboxes with mounting flange for Atex category 2GD, 3GD (zone 1, 21, 2, 22)

$M_2 \text{ perm} \leq 1187 \text{ Nm}$				GFL07-2N □□□				
Gearbox with Mounting flange size Motor frame size Flange diameter	i	$P_1 \text{ perm}$ [kW]	$M_2 \text{ perm}$ [Nm]	$n_2$ [rpm]	Temperature class			
					T3 (G) $\cong$ 190 °C (D)	T4 (G) $\cong$ 125 °C (D)		
					Mounting position			
					A, B, E, F	C	D	

## $n_1 = 1400 \text{ rpm}$

GFL07-2N □□□ □F 1F 1F 2F 3F 100 112 90 90 160 160 160 200	3.350	6.60	146	418	T3	T3	T3	
	4.643	6.60	203	302	T3	T3	T3	
	5.159	6.60	225	271	T3	T3	T3	
	5.695	6.60	249	246	T3	T3	T3	
	6.400	6.60	279	219	T4	T3	T4	
	7.150	6.60	312	196	T3	T3	T3	
	8.324	6.60	363	168	T3	T3	T3	
	9.379	6.60	410	149	T3	T3	T3	
	9.714	6.60	424	144	T4	T3	T4	
	11.537	6.60	504	121	T3	T3	T3	
	13.000	6.60	568	108	T3	T3	T3	
	14.200	6.60	620	99	T4	T3	T4	
	15.904	6.60	694	88	T4	T3	T4	
	17.920	6.60	782	78	T4	T3	T4	
	20.286	6.60	886	69	T4	T4	T4	
	22.857	6.60	998	61	T4	T4	T4	
	24.850	5.84	960	56	T4	T4	T4	
	28.000	5.84	1082	50	T4	T4	T4	
	32.344	4.69	1004	43	T4	T4	T4	
	36.444	4.69	1132	38	T4	T4	T4	
39.642	4.01	1053	35	T4	T4	T4		
44.667	4.01	1187	31	T4	T4	T4		
GFL07-2N □□□ □G 1G 2G 2G 3G 132 100 112 132 300 250 250 250	3.350	17.59	390	418	T3	T3	T3	
	4.643	17.59	541	302	T3	T3	T3	
	5.159	17.59	601	271	T3	T3	T3	
	5.695	17.59	663	246	T3	T3	T3	
	6.400	15.02	636	219	T4	T3	T4	
	7.150	17.02	806	196	T3	T3	T3	
	8.324	14.78	814	168	T3	T3	T3	
	9.379	13.19	819	149	T3	T3	T3	
	9.714	13.95	897	144	T4	T3	T4	
	11.537	11.60	885	121	T3	T3	T3	
	13.000	10.37	892	108	T3	T3	T3	
	14.200	9.97	937	99	T4	T3	T4	
	15.904	9.18	966	88	T4	T3	T4	
	17.920	8.22	975	78	T4	T3	T4	
	20.286	7.71	1035	69	T4	T3	T4	
	22.857	6.89	1042	61	T4	T3	T4	
	24.850	6.66	1096	56	T4	T4	T4	
	28.000	5.93	1099	50	T4	T4	T4	
	GFL07-2N □□□ □H 1H 3H 160 132 350 300	3.350	24.65	546	418	T3	T3	T3
		4.643	21.25	653	302	T3	T3	T3
5.159		21.27	726	271	T3	T3	T3	
5.695		20.04	755	246	T3	T3	T3	
6.400		15.64	662	219	T3	T3	T3	
7.150		17.02	806	196	T3	T3	T3	
8.324		14.78	814	168	T3	T3	T3	
9.379		13.19	819	149	T3	T3	T3	
9.714		13.95	897	144	T3	T3	T3	
11.537		11.60	885	121	T3	T3	T3	
13.000		10.37	892	108	T3	T3	T3	
14.200		9.97	937	99	T3	T3	T3	
15.904		9.18	966	88	T3	T3	T3	
17.920		8.22	975	78	T3	T3	T3	

## $n_1 = 700 \text{ rpm}$

GFL07-2N □□□ □C 1C 2C 3C 4C 6C 7C 80 71 71 71 63 80 160 160 105 120 160 120	52.067	0.67	461	13	T4	T4	T4
	58.667	0.67	519	12	T4	T4	T4
	63.190	0.56	467	11	T4	T4	T4
	71.200	0.56	526	9.8	T4	T4	T4
	79.875	0.45	473	8.8	T4	T4	T4
	90.000	0.45	533	7.8	T4	T4	T4

For dimensions, see page 4-78 onwards.

# Shaft-mounted helical gearbox selection tables

Gearboxes with mounting flange for Atex category 2GD. 3GD (zone 1, 21, 2, 22)



$M_2 \text{ perm} \leq 1187 \text{ Nm}$		GFL07-2N □□□				
Gearbox with	Mounting flange size Motor frame size Flange diameter	i	$P_1 \text{ perm}$ [kW]	$M_2 \text{ perm}$ [Nm]	$n_2$ [rpm]	Temperature class
						T3 (G) $\cong$ 190 °C (D) T4 (G) $\cong$ 125 °C (D)
						Mounting position
						A, B, E, F
						C
						D

## $n_1 = 700 \text{ rpm}$

GFL07-2N □□□ □D 1D 2D 90 80 160 160	20.286	1.54	413	35	T4	T4	T4
	22.857	1.54	466	31	T4	T4	T4
	32.344	1.34	573	22	T4	T4	T4
	36.444	1.34	646	19	T4	T4	T4
	39.642	1.15	602	18	T4	T4	T4
	44.667	1.15	678	16	T4	T4	T4
	52.067	0.90	620	13	T4	T4	T4
	58.667	0.90	698	12	T4	T4	T4
	63.190	0.75	628	11	T4	T4	T4
	71.200	0.75	707	9.8	T4	T4	T4
	79.875	0.60	636	8.8	T4	T4	T4
	90.000	0.60	717	7.8	T4	T4	T4
	GFL07-2N □□□ □E 1E 1E 2E 3E 4E 100 112 90 80 90 160 160 160 160 200	6.400	3.80	322	109	T4	T4
9.714		4.08	525	72	T4	T4	T4
14.200		4.08	768	49	T4	T4	T4
15.904		3.80	801	44	T4	T4	T4
17.920		3.80	902	39	T4	T4	T4
20.286		3.21	863	35	T4	T4	T4
22.857		3.21	972	31	T4	T4	T4
24.850		2.77	910	28	T4	T4	T4
28.000		2.77	1025	25	T4	T4	T4
32.344		2.22	952	22	T4	T4	T4
36.444		2.22	1073	19	T4	T4	T4
39.642		1.90	999	18	T4	T4	T4
44.667		1.90	1126	16	T4	T4	T4
52.067		1.49	1029	13	T4	T4	T4
58.667		1.49	1159	12	T4	T4	T4
63.190		1.01	846	11	T4	T4	T4
71.200		1.01	954	9.8	T4	T4	T4
GFL07-2N □□□ □F 1F 1F 2F 3F 100 112 90 90 160 160 160 200	3.350	4.40	195	209	T4	T4	T4
	4.643	4.40	270	151	T4	T4	T4
	5.159	4.40	300	136	T4	T4	T4
	5.695	4.40	332	123	T4	T4	T4
	6.400	4.01	340	109	T4	T4	T4
	7.150	4.40	416	98	T4	T4	T4
	8.324	4.40	485	84	T4	T4	T4
	9.379	4.40	546	75	T4	T4	T4
	9.714	4.31	554	72	T4	T4	T4
	11.537	4.40	672	61	T4	T4	T4
	13.000	4.40	757	54	T4	T4	T4
	14.200	4.31	810	49	T4	T4	T4
	15.904	4.01	845	44	T4	T4	T4
	17.920	4.01	952	39	T4	T4	T4
	20.286	3.38	909	35	T4	T4	T4
	22.857	3.38	1024	31	T4	T4	T4
	24.850	2.92	960	28	T4	T4	T4
	28.000	2.92	1082	25	T4	T4	T4
	32.344	2.35	1004	22	T4	T4	T4
36.444	2.35	1132	19	T4	T4	T4	
39.642	2.01	1053	18	T4	T4	T4	
44.667	2.01	1187	16	T4	T4	T4	
GFL07-2N □□□ □G 1G 2G 2G 3G 132 100 112 132 300 250 250 250	3.350	9.19	407	209	T4	T4	T4
	4.643	9.19	564	151	T4	T4	T4
	5.159	9.19	627	136	T4	T4	T4
	5.695	9.19	692	123	T4	T4	T4
	6.400	7.51	636	109	T4	T4	T4
	7.150	8.51	806	98	T4	T4	T4
	8.324	7.39	814	84	T4	T4	T4
	9.379	6.60	819	75	T4	T4	T4
	9.714	6.97	897	72	T4	T4	T4
	11.537	5.80	885	61	T4	T4	T4

For dimensions, see page 4-78 onwards.

# Shaft-mounted helical gearbox selection tables

Gearboxes with mounting flange for Atex category 2GD, 3GD (zone 1, 21, 2, 22)

$M_2 \text{ perm} \leq 1187 \text{ Nm}$				GFL07-2N □□□								
Gearbox with	Mounting flange size			i	$P_{1 \text{ perm}}$	$M_2 \text{ perm}$	$n_2$	Temperature class				
	Motor frame size	Flange diameter						T3 (G) $\cong$ 190 °C (D) T4 (G) $\cong$ 125 °C (D)				
								Mounting position				
					[kW]	[Nm]	[rpm]	A, B, E, F	C	D		
<b><math>n_1 = 700 \text{ rpm}</math></b>												
GFL07-2N □□□ □G	1G	2G	2G	3G	13.000	5.19	892	54	T4	T4	T4	
	132	100	112	132	14.200	4.99	937	49	T4	T4	T4	
	300	250	250	250	15.904	4.59	966	44	T4	T4	T4	
					17.920	4.11	975	39	T4	T4	T4	
					20.286	3.85	1035	35	T4	T4	T4	
					22.857	3.44	1042	31	T4	T4	T4	
					24.850	3.33	1096	28	T4	T4	T4	
					28.000	2.97	1099	25	T4	T4	T4	
	GFL07-2N □□□ □H	1H	3H			3.350	12.32	546	209	T4	T3	T4
		160	132			4.643	10.62	653	151	T4	T3	T4
350		300			5.159	10.63	726	136	T4	T3	T4	
					5.695	10.02	755	123	T4	T3	T4	
					6.400	7.82	662	109	T4	T3	T4	
					7.150	8.51	806	98	T4	T3	T4	
					8.324	7.39	814	84	T4	T3	T4	
					9.379	6.60	819	75	T4	T3	T4	
					9.714	6.97	897	72	T4	T3	T4	
					11.537	5.80	885	61	T4	T3	T4	
					13.000	5.19	892	54	T4	T3	T4	
					14.200	4.99	937	49	T4	T3	T4	
					15.904	4.59	966	44	T4	T3	T4	
					17.920	4.11	975	39	T4	T3	T4	

For dimensions, see page 4-78 onwards.

# Shaft-mounted helical gearbox selection tables

Gearboxes with mounting flange for Atex category 2GD. 3GD (zone 1, 21, 2, 22)



$M_2 \text{ perm} \leq 1270 \text{ Nm}$		GFL07-3N □□□				
Gearbox with	Mounting flange size Motor frame size Flange diameter	i	$P_1 \text{ perm}$ [kW]	$M_2 \text{ perm}$ [Nm]	$n_2$ [rpm]	Temperature class
						T3 (G) $\cong$ 190 °C (D) T4 (G) $\cong$ 125 °C (D)
						Mounting position
						A, B, E, F
						C
						D

## $n_1 = 1400 \text{ rpm}$

GFL07-3N □□□	<b>1B</b> <b>71</b> <b>105</b>		65.306	1.22	518	21	T4	T4	T4
			72.452	1.37	649	19	T4	T4	T4
			81.636	1.37	731	17	T4	T4	T4
			92.413	1.22	732	15	T4	T4	T4
			104.127	1.22	825	13	T4	T4	T4
			147.347	0.84	806	9.5	T4	T4	T4
			166.025	0.84	909	8.4	T4	T4	T4
			183.285	0.70	839	7.6	T4	T4	T4
			206.519	0.70	945	6.8	T4	T4	T4
			224.636	0.70	1028	6.2	T4	T4	T4
			253.111	0.70	1158	5.5	T4	T4	T4
			290.706	0.56	1068	4.8	T4	T4	T4
			327.556	0.56	1203	4.3	T4	T4	T4
			352.811	0.47	1082	4.0	T4	T4	T4
			397.533	0.47	1219	3.5	T4	T4	T4
			430.222	0.45	1270	3.3	T4	T4	T4
			522.133	0.37	1270	2.7	T4	T4	T4
			562.391	0.31	1128	2.5	T4	T4	T4
			633.680	0.30	1220	2.2	T4	T4	T4
			718.786	0.24	1128	2.0	T4	T4	T4
	809.900	0.23	1220	1.7	T4	T4	T4		
GFL07-3N □□□	□C		65.306	1.58	674	21	T4	T4	T4
		<b>1C</b>	72.452	1.39	658	19	T4	T4	T4
		<b>80</b>	81.636	1.39	742	17	T4	T4	T4
		<b>160</b>	92.413	1.23	739	15	T4	T4	T4
		2C	104.127	1.23	833	13	T4	T4	T4
		3C	113.206	1.09	806	12	T4	T4	T4
		4C	127.556	1.09	908	11	T4	T4	T4
		5C	147.347	0.93	897	9.5	T4	T4	T4
		6C	166.025	0.93	1006	8.4	T4	T4	T4
		7C	183.285	0.82	981	7.6	T4	T4	T4
			206.519	0.82	1104	6.8	T4	T4	T4
			224.636	0.72	1058	6.2	T4	T4	T4
			253.111	0.72	1187	5.5	T4	T4	T4
			290.706	0.62	1168	4.8	T4	T4	T4
			327.556	0.59	1258	4.3	T4	T4	T4
			352.811	0.54	1253	4.0	T4	T4	T4
			397.533	0.49	1258	3.5	T4	T4	T4
			430.222	0.45	1270	3.3	T4	T4	T4
			522.133	0.37	1270	2.7	T4	T4	T4
			562.391	0.31	1128	2.5	T4	T4	T4
	633.680	0.30	1220	2.2	T4	T4	T4		
GFL07-3N □□□	□D		65.306	1.58	674	21	T4	T4	T4
		<b>1D</b>	72.452	1.39	658	19	T4	T4	T4
		<b>90</b>	81.636	1.39	742	17	T4	T4	T4
		<b>160</b>	92.413	1.23	739	15	T4	T4	T4
		2D	104.127	1.23	833	13	T4	T4	T4
			113.206	1.09	806	12	T4	T4	T4
			127.556	1.09	908	11	T4	T4	T4
			147.347	0.93	897	9.5	T4	T4	T4
			166.025	0.93	1006	8.4	T4	T4	T4
			183.285	0.82	981	7.6	T4	T4	T4
			206.519	0.82	1104	6.8	T4	T4	T4
			224.636	0.72	1058	6.2	T4	T4	T4
			253.111	0.72	1187	5.5	T4	T4	T4
			290.706	0.62	1168	4.8	T4	T4	T4
			327.556	0.59	1258	4.3	T4	T4	T4
			352.811	0.54	1253	4.0	T4	T4	T4
			397.533	0.49	1258	3.5	T4	T4	T4
			430.222	0.45	1270	3.3	T4	T4	T4
			522.133	0.37	1270	2.7	T4	T4	T4
			562.391	0.31	1128	2.5	T4	T4	T4
	633.680	0.30	1220	2.2	T4	T4	T4		
GFL07-3N □□□	□E		65.306	1.58	674	21	T4	T4	T4
		<b>1E</b>	72.452	1.39	658	19	T4	T4	T4
		<b>100</b>	81.636	1.39	742	17	T4	T4	T4
		<b>160</b>	92.413	1.23	739	15	T4	T4	T4
		<b>1E</b>	104.127	1.23	833	13	T4	T4	T4
		<b>112</b>	113.206	1.09	806	12	T4	T4	T4
		<b>90</b>	127.556	1.09	908	11	T4	T4	T4
		<b>80</b>	147.347	0.93	897	9.5	T4	T4	T4
		<b>90</b>	166.025	0.93	1006	8.4	T4	T4	T4
		<b>160</b>	183.285	0.82	981	7.6	T4	T4	T4
		<b>160</b>	206.519	0.82	1104	6.8	T4	T4	T4
		<b>160</b>	224.636	0.72	1058	6.2	T4	T4	T4
		<b>160</b>	253.111	0.72	1187	5.5	T4	T4	T4
		<b>160</b>	290.706	0.62	1168	4.8	T4	T4	T4
		<b>160</b>	327.556	0.59	1258	4.3	T4	T4	T4
		<b>160</b>	352.811	0.54	1253	4.0	T4	T4	T4
		<b>160</b>	397.533	0.49	1258	3.5	T4	T4	T4
		<b>160</b>	430.222	0.45	1270	3.3	T4	T4	T4
		<b>160</b>	522.133	0.37	1270	2.7	T4	T4	T4
		<b>160</b>	562.391	0.31	1128	2.5	T4	T4	T4
<b>160</b>	633.680	0.30	1220	2.2	T4	T4	T4		

For dimensions, see page 4-78 onwards.

# Shaft-mounted helical gearbox selection tables

Gearboxes with mounting flange for Atex category 2GD, 3GD (zone 1, 21, 2, 22)

$M_2 \text{ perm} \leq 1270 \text{ Nm}$		GFL07-3N □□□					
Gearbox with Mounting flange size Motor frame size Flange diameter	i	$P_1 \text{ perm}$ [kW]	$M_2 \text{ perm}$ [Nm]	$n_2$ [rpm]	Temperature class T3 (G) $\cong$ 190 °C (D) T4 (G) $\cong$ 125 °C (D)		
					Mounting position A, B, C, D E, F		

## $n_1 = 700 \text{ rpm}$

GFL07-3N □□□	1B					T4	T4	T4	
	71	65.306	0.61	518	11	T4	T4	T4	
	105		72.452	0.70	658	9.7	T4	T4	T4
			81.636	0.70	742	8.6	T4	T4	T4
			92.413	0.61	732	7.6	T4	T4	T4
			104.127	0.61	825	6.7	T4	T4	T4
			147.347	0.42	806	4.8	T4	T4	T4
			166.025	0.42	909	4.2	T4	T4	T4
			183.285	0.35	839	3.8	T4	T4	T4
			206.519	0.35	945	3.4	T4	T4	T4
			224.636	0.35	1028	3.1	T4	T4	T4
			253.111	0.35	1158	2.8	T4	T4	T4
			290.706	0.28	1068	2.4	T4	T4	T4
			327.556	0.28	1203	2.1	T4	T4	T4
			352.811	0.24	1082	2.0	T4	T4	T4
			397.533	0.24	1219	1.8	T4	T4	T4
			430.222	0.23	1270	1.6	T4	T4	T4
			522.133	0.19	1270	1.3	T4	T4	T4
			562.391	0.15	1128	1.2	T4	T4	T4
			633.680	0.15	1220	1.1	T4	T4	T4
	718.786	0.12	1128	1.0	T4	T4	T4		
	809.900	0.12	1220	0.9	T4	T4	T4		
GFL07-3N □□□	□C					T4	T4	T4	
	1C	65.306	0.79	674	11	T4	T4	T4	
	80	2C	72.452	0.70	658	9.7	T4	T4	T4
		3C	81.636	0.70	742	8.6	T4	T4	T4
		4C	92.413	0.61	739	7.6	T4	T4	T4
		6C	104.127	0.61	833	6.7	T4	T4	T4
		7C	113.206	0.55	806	6.2	T4	T4	T4
			127.556	0.55	908	5.5	T4	T4	T4
			147.347	0.47	897	4.8	T4	T4	T4
			166.025	0.46	1006	4.2	T4	T4	T4
			183.285	0.41	981	3.8	T4	T4	T4
			206.519	0.41	1104	3.4	T4	T4	T4
			224.636	0.36	1058	3.1	T4	T4	T4
			253.111	0.36	1187	2.8	T4	T4	T4
			290.706	0.31	1168	2.4	T4	T4	T4
			327.556	0.29	1258	2.1	T4	T4	T4
			352.811	0.27	1253	2.0	T4	T4	T4
			397.533	0.24	1258	1.8	T4	T4	T4
			430.222	0.23	1270	1.6	T4	T4	T4
			522.133	0.19	1270	1.3	T4	T4	T4
	562.391	0.15	1128	1.2	T4	T4	T4		
	633.680	0.15	1220	1.1	T4	T4	T4		
GFL07-3N □□□	□D					T4	T4	T4	
	1D	65.306	0.79	674	11	T4	T4	T4	
	90	2D	72.452	0.70	658	9.7	T4	T4	T4
			81.636	0.70	742	8.6	T4	T4	T4
			92.413	0.61	739	7.6	T4	T4	T4
			104.127	0.61	833	6.7	T4	T4	T4
			113.206	0.55	806	6.2	T4	T4	T4
			127.556	0.55	908	5.5	T4	T4	T4
			147.347	0.47	897	4.8	T4	T4	T4
			166.025	0.46	1006	4.2	T4	T4	T4
			183.285	0.41	981	3.8	T4	T4	T4
			206.519	0.41	1104	3.4	T4	T4	T4
			224.636	0.36	1058	3.1	T4	T4	T4
		253.111	0.36	1187	2.8	T4	T4	T4	
GFL07-3N □□□	□E					T4	T4	T4	
	1E	65.306	0.79	674	11	T4	T4	T4	
	100	1E	72.452	0.70	658	9.7	T4	T4	T4
		2E	81.636	0.70	742	8.6	T4	T4	T4
		3E	92.413	0.61	739	7.6	T4	T4	T4
		4E	104.127	0.61	833	6.7	T4	T4	T4
		113.206	0.55	806	6.2	T4	T4	T4	
	127.556	0.55	908	5.5	T4	T4	T4		

For dimensions, see page 4-78 onwards.

# Shaft-mounted helical gearbox selection tables

Gearboxes with mounting flange for Atex category 2GD, 3GD (zone 1, 21, 2, 22)



$M_2 \text{ perm} \leq 2632 \text{ Nm}$		GFL09-2N □□□						
Gearbox with	Mounting flange size Motor frame size Flange diameter	i	$P_{1 \text{ perm}}$	$M_2 \text{ perm}$	$n_2$	Temperature class		
						T3 (G) $\cong$ 190 °C (D) T4 (G) $\cong$ 125 °C (D)		
						Mounting position		
						A, B, E, F	C	D

## $n_1 = 2800 \text{ rpm}$

GFL09-2N □□□	□D											
	1D	2D										
	90	80										
	160	160										
			51.333	4.26	724	55	T3	T3	-			
			57.852	4.26	816	48	T3	T3	-			
GFL09-2N □□□	□E											
	1E	1E	2E	3E	4E							
	100	112	90	80	90							
	160	160	160	160	200							
			19.667	10.72	697	142	T3	T3	-			
			22.164	10.72	786	126	T3	T3	-			
			32.667	10.55	1141	86	T3	T3	-			
			36.815	10.55	1286	76	T3	T3	-			
			39.667	9.06	1189	71	T3	T3	-			
			44.704	9.06	1340	63	T3	T3	-			
GFL09-2N □□□	□F											
	1F	1F	2F	3F								
	100	112	90	90								
	160	160	160	200								
			18.407	10.72	653	152	T3	-	-			
			19.667	10.72	697	142	T3	-	-			
			22.164	10.72	786	126	T3	-	-			
			24.111	12.17	971	116	T3	-	-			
			27.173	12.17	1095	103	T3	-	-			
			32.667	11.27	1219	86	T3	-	-			
GFL09-2N □□□	□G											
	1G	2G	2G	3G								
	132	100	112	132								
	300	250	250	250								
			18.407	27.32	1664	152	T3	-	-			
			19.667	26.65	1735	142	T3	-	-			
			22.164	23.90	1753	126	T3	-	-			
			24.111	26.23	2093	116	T3	-	-			
			27.173	23.46	2110	103	T3	-	-			
			32.667	21.09	2280	86	T3	-	-			

## $n_1 = 1400 \text{ rpm}$

GFL09-2N □□□	□D											
	1D	2D										
	90	80										
	160	160										
			51.333	2.31	784	27	T4	T4	T4			
			57.852	2.31	884	24	T4	T4	T4			
GFL09-2N □□□	□E											
	1E	1E	2E	3E	4E							
	100	112	90	80	90							
	160	160	160	160	200							
			19.667	6.60	859	71	T4	T3	T4			
			22.164	6.60	968	63	T4	T3	T4			
			32.667	5.72	1236	43	T4	T4	T4			
			36.815	5.72	1393	38	T4	T4	T4			
			39.667	4.91	1288	35	T4	T4	T4			
			44.704	4.91	1452	31	T4	T4	T4			

For dimensions, see page 4-78 onwards.

# Shaft-mounted helical gearbox selection tables

Gearboxes with mounting flange for Atex category 2GD, 3GD (zone 1, 21, 2, 22)

$M_2 \text{ perm} \leq 2632 \text{ Nm}$				GFL09-2N □□□							
Gearbox with	Mounting flange size			i	$P_{1 \text{ perm}}$	$M_2 \text{ perm}$	$n_2$	Temperature class			
	Motor frame size	Flange diameter						T3 (G) $\cong$ 190 °C (D) T4 (G) $\cong$ 125 °C (D)			
					[kW]	[Nm]	[rpm]	Mounting position			
								A, B, E, F	C	D	
<b><math>n_1 = 1400 \text{ rpm}</math></b>											
GFL09-2N □□□ □F	1F	1F	2F	3F	9.010	6.60	393	155	T3	T3	T3
	100	112	90	90	9.799	6.60	428	143	T3	T3	T3
	160	160	160	200	11.167	6.60	488	125	T3	T3	T3
					14.333	6.60	626	98	T3	T3	T3
					16.333	6.60	713	86	T3	T3	T3
					18.407	6.60	804	76	T3	T3	T3
					19.667	6.60	859	71	T4	T3	T4
					22.164	6.60	968	63	T4	T3	T4
					24.111	6.60	1053	58	T4	T4	T4
					27.173	6.60	1186	52	T4	T4	T4
					32.667	6.11	1321	43	T4	T4	T4
					36.815	6.11	1488	38	T4	T4	T4
					39.667	5.24	1375	35	T4	T4	T4
					44.704	5.24	1550	31	T4	T4	T4
					51.333	4.20	1428	27	T4	T4	T4
					57.852	4.20	1610	24	T4	T4	T4
					62.300	3.51	1446	23	T4	T4	T4
				70.211	3.51	1630	20	T4	T4	T4	
GFL09-2N □□□ □G	1G	2G	2G	3G	6.864	17.59	799	204	T3	T3	T3
	132	100	112	132	7.466	17.59	869	188	T3	T3	T3
	300	250	250	250	9.010	17.59	1049	155	T3	T3	T3
					9.799	17.59	1141	143	T3	T3	T3
					11.167	17.59	1300	125	T3	T3	T3
					12.307	17.59	1433	114	T3	T3	T3
					14.333	17.59	1669	98	T3	T3	T3
					16.333	17.59	1902	86	T3	T3	T3
					18.407	16.82	2049	76	T3	T3	T3
					19.667	16.41	2136	71	T4	T3	T4
					22.164	14.72	2159	63	T4	T3	T4
					24.111	14.21	2268	58	T4	T3	T4
					27.173	12.71	2286	52	T4	T3	T4
					32.667	11.43	2471	43	T4	T4	T4
					36.815	10.24	2494	38	T4	T4	T4
					39.667	9.95	2611	35	T4	T4	T4
					44.704	8.90	2632	31	T4	T4	T4
GFL09-2N □□□ □H	1H	2H	3H		6.864	38.97	1770	204	T3	T3	T3
	160	180	132		7.466	36.07	1782	188	T3	T3	T3
	350	350	300		9.010	31.70	1890	155	T3	T3	T3
					9.799	29.44	1909	143	T3	T3	T3
					11.167	26.63	1968	125	T3	T3	T3
					12.307	22.56	1837	114	T3	T3	T3
					14.333	20.69	1962	98	T3	T3	T3
					16.333	18.81	2033	86	T3	T3	T3
					18.407	16.82	2049	76	T3	T3	T3
					19.667	16.41	2136	71	T3	T3	T3
					22.164	14.72	2159	63	T3	T3	T3
					24.111	14.21	2268	58	T4	T3	T4
					27.173	12.71	2286	52	T4	T3	T4
GFL09-2N □□□ 1K	200				6.864	38.97	1770	204	T3	T3	T3
	400				7.466	36.07	1782	188	T3	T3	T3
					9.010	31.70	1890	155	T3	T3	T3
					9.799	29.44	1909	143	T3	T3	T3
					12.307	22.56	1837	114	T3	T3	T3
					14.333	20.69	1962	98	T3	T3	T3

For dimensions, see page 4-78 onwards.



# Shaft-mounted helical gearbox selection tables

Gearboxes with mounting flange for Atex category 2GD, 3GD (zone 1, 21, 2, 22)



$M_2 \text{ perm} \leq 2632 \text{ Nm}$		GFL09-2N □□□							
Gearbox with	Mounting flange size Motor frame size Flange diameter	i	$P_1 \text{ perm}$ [kW]	$M_2 \text{ perm}$ [Nm]	$n_2$ [rpm]	Temperature class			
						T3 (G) $\cong$ 190 °C (D) T4 (G) $\cong$ 125 °C (D)			
						Mounting position			
						A, B, E, F	C	D	
<b><math>n_1 = 700 \text{ rpm}</math></b>									
GFL09-2N □□□	□D	51.333	1.16	786	14	T4	T4	T4	
	1D 2D	57.852	1.16	886	12	T4	T4	T4	
	90 80	62.300	0.97	797	11	T4	T4	T4	
	160 160	70.211	0.97	899	10.0	T4	T4	T4	
		78.750	0.78	808	8.9	T4	T4	T4	
		88.750	0.78	911	7.9	T4	T4	T4	
GFL09-2N □□□	□E	19.667	4.23	1100	36	T4	T4	T4	
	1E 1E 2E 3E 4E	22.164	4.23	1240	32	T4	T4	T4	
	100 112 90 80 90	32.667	2.86	1236	21	T4	T4	T4	
	160 160 160 160 200	36.815	2.86	1393	19	T4	T4	T4	
		39.667	2.45	1288	18	T4	T4	T4	
		44.704	2.45	1452	16	T4	T4	T4	
		51.333	1.97	1339	14	T4	T4	T4	
		57.852	1.97	1509	12	T4	T4	T4	
		62.300	1.65	1357	11	T4	T4	T4	
		70.211	1.65	1529	10.0	T4	T4	T4	
		78.750	1.32	1375	8.9	T4	T4	T4	
		88.750	1.32	1549	7.9	T4	T4	T4	
GFL09-2N □□□	□F	9.010	4.40	524	78	T4	T4	T4	
	1F 1F 2F 3F	9.799	4.40	570	71	T4	T4	T4	
	100 112 90 90	11.167	4.40	650	63	T4	T4	T4	
	160 160 160 200	14.333	4.40	834	49	T4	T4	T4	
		16.333	4.40	951	43	T4	T4	T4	
		18.407	4.40	1072	38	T4	T4	T4	
		19.667	4.40	1145	36	T4	T4	T4	
		22.164	4.40	1290	32	T4	T4	T4	
		24.111	3.90	1244	29	T4	T4	T4	
		27.173	3.90	1402	26	T4	T4	T4	
		32.667	3.05	1321	21	T4	T4	T4	
		36.815	3.05	1488	19	T4	T4	T4	
		39.667	2.62	1375	18	T4	T4	T4	
		44.704	2.62	1550	16	T4	T4	T4	
		51.333	2.10	1428	14	T4	T4	T4	
		57.852	2.10	1610	12	T4	T4	T4	
		62.300	1.75	1446	11	T4	T4	T4	
70.211		1.75	1630	10.0	T4	T4	T4		
GFL09-2N □□□	□G	6.864	11.73	1066	102	T4	T4	T4	
	1G 2G 2G 3G	7.466	11.73	1159	94	T4	T4	T4	
	132 100 112 132	9.010	10.81	1289	78	T4	T4	T4	
	300 250 250 250	9.799	10.81	1402	71	T4	T4	T4	
		11.167	9.91	1465	63	T4	T4	T4	
		12.307	11.28	1837	57	T4	T4	T4	
		14.333	10.34	1962	49	T4	T4	T4	
		16.333	9.41	2033	43	T4	T4	T4	
		18.407	8.41	2049	38	T4	T4	T4	
		19.667	8.20	2136	36	T4	T4	T4	
		22.164	7.36	2159	32	T4	T4	T4	
		24.111	7.11	2268	29	T4	T4	T4	
		27.173	6.36	2286	26	T4	T4	T4	
		32.667	5.71	2471	21	T4	T4	T4	
		36.815	5.12	2494	19	T4	T4	T4	
		39.667	4.97	2611	18	T4	T4	T4	
		44.704	4.45	2632	16	T4	T4	T4	

For dimensions, see page 4-78 onwards.

# Shaft-mounted helical gearbox selection tables

Gearboxes with mounting flange for Atex category 2GD. 3GD (zone 1, 21, 2, 22)

$M_2 \text{ perm} \leq 2632 \text{ Nm}$			GFL09-2N □□□						
Gearbox with	Mounting flange size		i	$P_{1 \text{ perm}}$	$M_2 \text{ perm}$	$n_2$	Temperature class		
	Motor frame size	Flange diameter					T3 (G) $\cong$ 190 °C (D) T4 (G) $\cong$ 125 °C (D)		
							Mounting position		
				[kW]	[Nm]	[rpm]	A, B, E, F	C	D
<b><math>n_1 = 700 \text{ rpm}</math></b>									
GFL09-2N □□□	□H		6.864	19.49	1770	102	T4	T3	T4
	1H	2H 3H	7.466	18.03	1782	94	T4	T3	T4
	160	180 132	9.010	15.85	1890	78	T4	T3	T4
	350	350 300	9.799	14.72	1909	71	T4	T3	T4
			11.167	13.32	1968	63	T4	T3	T4
			12.307	11.28	1837	57	T4	T3	T4
			14.333	10.34	1962	49	T4	T3	T4
			16.333	9.41	2033	43	T4	T3	T4
			18.407	8.41	2049	38	T4	T3	T4
			19.667	8.20	2136	36	T4	T3	T4
			22.164	7.36	2159	32	T4	T3	T4
			24.111	7.11	2268	29	T4	T3	T4
			27.173	6.36	2286	26	T4	T3	T4
	GFL09-2N □□□	1K		6.864	19.49	1770	102	T4	T3
200			7.466	18.03	1782	94	T4	T3	T4
400			9.010	15.85	1890	78	T4	T3	T4
			9.799	14.72	1909	71	T4	T3	T4
			12.307	11.28	1837	57	T4	T3	T4
			14.333	10.34	1962	49	T4	T3	T4

For dimensions, see page 4-78 onwards.

# Shaft-mounted helical gearbox selection tables

Gearboxes with mounting flange for Atex category 2GD. 3GD (zone 1, 21, 2, 22)



$M_2 \text{ perm} \leq 2697 \text{ Nm}$		GFL09-3N □□□							
Gearbox with	Mounting flange size Motor frame size Flange diameter	i	$P_1 \text{ perm}$ [kW]	$M_2 \text{ perm}$ [Nm]	$n_2$ [rpm]	Temperature class			
						T3 (G) $\cong$ 190 °C (D) T4 (G) $\cong$ 125 °C (D)			
						Mounting position			
						A, B, E, F	C	D	
<b><math>n_1 = 1400 \text{ rpm}</math></b>									
GFL09-3N □□□	<b>1B</b> <b>71</b> <b>105</b>		290.889	0.69	1315	4.8	T4	T4	T4
			327.827	0.69	1482	4.3	T4	T4	T4
			353.033	0.58	1333	4.0	T4	T4	T4
			397.863	0.58	1502	3.5	T4	T4	T4
			424.247	0.69	1918	3.3	T4	T4	T4
			514.881	0.58	1944	2.7	T4	T4	T4
			554.470	0.58	2094	2.5	T4	T4	T4
			624.879	0.56	2273	2.2	T4	T4	T4
			700.875	0.46	2113	2.0	T4	T4	T4
			789.875	0.44	2273	1.8	T4	T4	T4
GFL09-3N □□□	□C <b>1C</b> 2C 3C 4C 6C 7C <b>80</b> 71 71 71 63 80 <b>160</b> 160 105 120 160 120		63.326	1.87	772	22	T4	T4	T4
			93.333	1.87	1137	15	T4	T4	T4
			105.185	1.87	1282	13	T4	T4	T4
			148.815	1.62	1575	9.4	T4	T4	T4
			167.712	1.62	1775	8.4	T4	T4	T4
			185.111	1.36	1638	7.6	T4	T4	T4
			208.617	1.36	1846	6.7	T4	T4	T4
			224.778	1.26	1851	6.2	T4	T4	T4
			253.321	1.26	2086	5.5	T4	T4	T4
			290.889	1.09	2063	4.8	T4	T4	T4
			327.827	1.09	2325	4.3	T4	T4	T4
			353.033	0.91	2092	4.0	T4	T4	T4
			397.863	0.91	2358	3.5	T4	T4	T4
			424.247	0.90	2499	3.3	T4	T4	T4
			514.881	0.80	2697	2.7	T4	T4	T4
			554.470	0.58	2113	2.5	T4	T4	T4
			624.879	0.56	2273	2.2	T4	T4	T4
	700.875	0.46	2113	2.0	T4	T4	T4		
	789.875	0.44	2273	1.8	T4	T4	T4		
GFL09-3N □□□	□D <b>1D</b> 2D <b>90</b> 80 <b>160</b> 160		63.326	2.31	953	22	T4	T4	T4
			73.173	2.31	1101	19	T4	T4	T4
			82.465	2.31	1241	17	T4	T4	T4
			93.333	2.14	1302	15	T4	T4	T4
			105.185	2.14	1467	13	T4	T4	T4
			114.333	1.91	1421	12	T4	T4	T4
			128.852	1.91	1601	11	T4	T4	T4
			148.815	1.63	1579	9.4	T4	T4	T4
			167.712	1.63	1780	8.4	T4	T4	T4
			185.111	1.43	1730	7.6	T4	T4	T4
			208.617	1.43	1949	6.7	T4	T4	T4
			224.778	1.26	1851	6.2	T4	T4	T4
			253.321	1.26	2086	5.5	T4	T4	T4
			290.889	1.09	2063	4.8	T4	T4	T4
			327.827	1.09	2325	4.3	T4	T4	T4
			353.033	0.96	2215	4.0	T4	T4	T4
			397.863	0.96	2496	3.5	T4	T4	T4
	424.247	0.90	2499	3.3	T4	T4	T4		
	514.881	0.80	2697	2.7	T4	T4	T4		
	554.470	0.58	2113	2.5	T4	T4	T4		
	624.879	0.56	2273	2.2	T4	T4	T4		
GFL09-3N □□□	□E <b>1E</b> 1E 2E 3E 4E <b>100</b> 112 90 80 90 <b>160</b> 160 160 160 200		63.326	2.81	1161	22	T4	T4	T4
			73.173	2.43	1158	19	T4	T4	T4
			82.465	2.43	1305	17	T4	T4	T4
			93.333	2.14	1302	15	T4	T4	T4
			105.185	2.14	1467	13	T4	T4	T4
			114.333	1.91	1421	12	T4	T4	T4
			128.852	1.91	1601	11	T4	T4	T4

For dimensions, see page 4-78 onwards.

# Shaft-mounted helical gearbox selection tables

Gearboxes with mounting flange for Atex category 2GD, 3GD (zone 1, 21, 2, 22)

$M_2 \text{ perm} \leq 2697 \text{ Nm}$		GFL09-3N □□□						
Gearbox with Mounting flange size Motor frame size Flange diameter	i	$P_1 \text{ perm}$ [kW]	$M_2 \text{ perm}$ [Nm]	$n_2$ [rpm]	Temperature class			
					T3 (G) $\cong 190 \text{ }^\circ\text{C}$ (D)	T4 (G) $\cong 125 \text{ }^\circ\text{C}$ (D)	Mounting position	
					A, B, E, F	C	D	
<b><math>n_1 = 1400 \text{ rpm}</math></b>								
GFL09-3N □□□ □E <b>1E</b> 1E 2E 3E 4E <b>100</b> 112 90 80 90 <b>160</b> 160 160 160 200	148.815	1.63	1579	9.4	T4	T4	T4	
	167.712	1.63	1780	8.4	T4	T4	T4	
	185.111	1.43	1730	7.6	T4	T4	T4	
	208.617	1.43	1949	6.7	T4	T4	T4	
	224.778	1.26	1851	6.2	T4	T4	T4	
	253.321	1.26	2086	5.5	T4	T4	T4	
GFL09-3N □□□ □F <b>1F</b> 1F 2F 3F <b>100</b> 112 90 90 <b>160</b> 160 160 200	63.326	2.81	1161	22	T4	T4	T4	
	73.173	2.43	1158	19	T4	T4	T4	
	82.465	2.43	1305	17	T4	T4	T4	
	93.333	2.14	1302	15	T4	T4	T4	
	105.185	2.14	1467	13	T4	T4	T4	
	114.333	1.91	1421	12	T4	T4	T4	
128.852	1.91	1601	11	T4	T4	T4		
<b><math>n_1 = 700 \text{ rpm}</math></b>								
GFL09-3N □□□ <b>1B</b> <b>71</b> <b>105</b>	290.889	0.35	1315	2.4	T4	T4	T4	
	327.827	0.35	1482	2.1	T4	T4	T4	
	353.033	0.29	1333	2.0	T4	T4	T4	
	397.863	0.29	1502	1.8	T4	T4	T4	
	424.247	0.35	1918	1.7	T4	T4	T4	
	514.881	0.29	1944	1.4	T4	T4	T4	
	554.470	0.29	2094	1.3	T4	T4	T4	
	624.879	0.28	2273	1.1	T4	T4	T4	
	700.875	0.23	2113	1.0	T4	T4	T4	
	789.875	0.22	2273	0.9	T4	T4	T4	
	GFL09-3N □□□ □C <b>1C</b> 2C 3C 4C 6C 7C <b>80</b> 71 71 71 63 80 <b>160</b> 160 105 120 160 120	63.326	1.18	971	11	T4	T4	T4
93.333		1.07	1302	7.5	T4	T4	T4	
105.185		1.07	1467	6.7	T4	T4	T4	
148.815		0.81	1575	4.7	T4	T4	T4	
167.712		0.81	1775	4.2	T4	T4	T4	
185.111		0.68	1638	3.8	T4	T4	T4	
208.617		0.68	1846	3.4	T4	T4	T4	
224.778		0.63	1851	3.1	T4	T4	T4	
253.321		0.63	2086	2.8	T4	T4	T4	
290.889		0.54	2063	2.4	T4	T4	T4	
327.827		0.54	2325	2.1	T4	T4	T4	
353.033		0.45	2092	2.0	T4	T4	T4	
397.863		0.45	2358	1.8	T4	T4	T4	
424.247		0.45	2499	1.7	T4	T4	T4	
514.881		0.40	2697	1.4	T4	T4	T4	
554.470		0.29	2113	1.3	T4	T4	T4	
624.879		0.28	2273	1.1	T4	T4	T4	
700.875	0.23	2113	1.0	T4	T4	T4		
789.875	0.22	2273	0.9	T4	T4	T4		
GFL09-3N □□□ □D <b>1D</b> 2D <b>90</b> 80 <b>160</b> 160	63.326	1.41	1161	11	T4	T4	T4	
	73.173	1.21	1158	9.6	T4	T4	T4	
	82.465	1.21	1305	8.5	T4	T4	T4	
	93.333	1.07	1302	7.5	T4	T4	T4	
	105.185	1.07	1467	6.7	T4	T4	T4	
	114.333	0.95	1421	6.1	T4	T4	T4	
	128.852	0.95	1601	5.4	T4	T4	T4	
	148.815	0.81	1579	4.7	T4	T4	T4	
	167.712	0.81	1780	4.2	T4	T4	T4	
	185.111	0.72	1730	3.8	T4	T4	T4	
	208.617	0.72	1949	3.4	T4	T4	T4	
	224.778	0.63	1851	3.1	T4	T4	T4	
	253.321	0.63	2086	2.8	T4	T4	T4	
	290.889	0.54	2063	2.4	T4	T4	T4	

For dimensions, see page 4-78 onwards.

# Shaft-mounted helical gearbox selection tables

Gearboxes with mounting flange for Atex category 2GD, 3GD (zone 1, 21, 2, 22)



$M_2 \text{ perm} \leq 2697 \text{ Nm}$			GFL09-3N □□□						
Gearbox with	Mounting flange size		i	$P_1 \text{ perm}$	$M_2 \text{ perm}$	$n_2$	Temperature class		
	Motor frame size	Flange diameter					T3 (G) $\cong$ 190 °C (D) T4 (G) $\cong$ 125 °C (D)		
							Mounting position		
				[kW]	[Nm]	[rpm]	A, B, E, F	C	D
<b><math>n_1 = 700 \text{ rpm}</math></b>									
GFL09-3N □□□	□D		327.827	0.54	2325	2.1	T4	T4	T4
	<b>1D</b>	2D	353.033	0.48	2215	2.0	T4	T4	T4
	<b>90</b>	80	397.863	0.48	2496	1.8	T4	T4	T4
	<b>160</b>	160	424.247	0.45	2499	1.7	T4	T4	T4
			514.881	0.40	2697	1.4	T4	T4	T4
			554.470	0.29	2113	1.3	T4	T4	T4
			624.879	0.28	2273	1.1	T4	T4	T4
GFL09-3N □□□	□E		63.326	1.41	1161	11	T4	T4	T4
	<b>1E</b>	<b>1E</b>	73.173	1.21	1158	9.6	T4	T4	T4
	<b>100</b>	<b>112</b>	82.465	1.21	1305	8.5	T4	T4	T4
	<b>160</b>	<b>160</b>	93.333	1.07	1302	7.5	T4	T4	T4
		160	105.185	1.07	1467	6.7	T4	T4	T4
		160	114.333	0.95	1421	6.1	T4	T4	T4
		160	128.852	0.95	1601	5.4	T4	T4	T4
		160	148.815	0.81	1579	4.7	T4	T4	T4
		160	167.712	0.81	1780	4.2	T4	T4	T4
		160	185.111	0.72	1730	3.8	T4	T4	T4
		160	208.617	0.72	1949	3.4	T4	T4	T4
		160	224.778	0.63	1851	3.1	T4	T4	T4
		160	253.321	0.63	2086	2.8	T4	T4	T4
	GFL09-3N □□□	□F		63.326	1.41	1161	11	T4	T4
<b>1F</b>		<b>1F</b>	73.173	1.21	1158	9.6	T4	T4	T4
<b>100</b>		<b>112</b>	82.465	1.21	1305	8.5	T4	T4	T4
<b>160</b>		<b>160</b>	93.333	1.07	1302	7.5	T4	T4	T4
		160	105.185	1.07	1467	6.7	T4	T4	T4
		160	114.333	0.95	1421	6.1	T4	T4	T4
		160	128.852	0.95	1601	5.4	T4	T4	T4

For dimensions, see page 4-78 onwards.

# Shaft-mounted helical gearbox selection tables

Gearboxes with mounting flange for Atex category 2GD, 3GD (zone 1, 21, 2, 22)

$M_2 \text{ perm} \leq 4068 \text{ Nm}$					GFL11-2N □□□			
Gearbox with Mounting flange size Motor frame size Flange diameter	i	$P_{1 \text{ perm}}$ [kW]	$M_2 \text{ perm}$ [Nm]	$n_2$ [rpm]	Temperature class			
					T3 (G) $\cong$ 190 °C (D)	T4 (G) $\cong$ 125 °C (D)		
					Mounting position			
					A, B, E, F	C	D	

## $n_1 = 2800 \text{ rpm}$

GFL11-2N □□□ □E <b>1E</b> <b>1E</b> 2E 3E 4E <b>100</b> <b>112</b> 90 80 90 <b>160</b> <b>160</b> 160 160 200	52.067	8.83	1521	54	T3	T3	-	
	58.667	8.83	1714	48	T3	T3	-	
	63.190	7.37	1542	44	T3	T3	-	
	71.200	7.99	1883	39	T3	T3	-	
	79.875	6.41	1695	35	T3	T3	-	
	90.000	6.41	1910	31	T3	T3	-	
GFL11-2N □□□ □F <b>1F</b> <b>1F</b> 2F 3F <b>100</b> <b>112</b> 90 90 <b>160</b> <b>160</b> 160 200	20.286	10.72	719	138	T3	-	-	
	22.857	10.72	810	123	T3	-	-	
	32.739	12.17	1319	86	T3	-	-	
	36.889	12.17	1486	76	T3	-	-	
	40.233	11.79	1570	70	T3	-	-	
	45.333	11.79	1769	62	T3	-	-	
	52.067	9.48	1633	54	T3	-	-	
	58.667	9.48	1840	48	T3	-	-	
	63.190	7.91	1655	44	T3	-	-	
	71.200	8.57	2020	39	T3	-	-	
	79.875	6.88	1817	35	T3	-	-	
	90.000	6.88	2048	31	T3	-	-	
	GFL11-2N □□□ □G <b>1G</b> 2G 2G 3G <b>132</b> 100 112 132 <b>300</b> 250 250 250	17.920	28.57	1694	156	T3	-	-
		20.286	28.57	1918	138	T3	-	-
22.857		28.57	2161	123	T3	-	-	
24.850		32.47	2670	113	T3	-	-	
28.000		32.47	3008	100	T3	-	-	
32.739		27.14	2940	86	T3	-	-	
36.889		27.14	3312	76	T3	-	-	
40.233		22.71	3023	70	T3	-	-	
45.333		22.71	3406	62	T3	-	-	
52.067		18.23	3141	54	T3	-	-	
58.667		18.23	3539	48	T3	-	-	
63.190		15.22	3182	44	T3	-	-	
71.200		16.49	3886	39	T3	-	-	

## $n_1 = 1400 \text{ rpm}$

GFL11-2N □□□ □E <b>1E</b> <b>1E</b> 2E 3E 4E <b>100</b> <b>112</b> 90 80 90 <b>160</b> <b>160</b> 160 160 200	52.067	4.78	1648	27	T4	T4	T4	
	58.667	4.78	1857	24	T4	T4	T4	
	63.190	4.00	1671	22	T4	T4	T4	
	71.200	4.00	1883	20	T4	T4	T4	
	79.875	3.21	1695	18	T4	T4	T4	
	90.000	3.21	1910	16	T4	T4	T4	
GFL11-2N □□□ □F <b>1F</b> <b>1F</b> 2F 3F <b>100</b> <b>112</b> 90 90 <b>160</b> <b>160</b> 160 200	20.286	6.60	886	69	T3	T3	T3	
	22.857	6.60	998	61	T3	T3	T3	
	32.739	6.60	1429	43	T4	T4	T4	
	36.889	6.60	1611	38	T4	T4	T4	
	40.233	6.39	1702	35	T4	T4	T4	
	45.333	6.39	1917	31	T4	T4	T4	
	52.067	5.13	1769	27	T4	T4	T4	
	58.667	5.13	1994	24	T4	T4	T4	
	63.190	4.29	1793	22	T4	T4	T4	
	71.200	4.29	2020	20	T4	T4	T4	
	79.875	3.44	1817	18	T4	T4	T4	
	90.000	3.44	2048	16	T4	T4	T4	
	GFL11-2N □□□ □G <b>1G</b> 2G 2G 3G <b>132</b> 100 112 132 <b>300</b> 250 250 250	10.720	17.59	1248	131	T3	T3	T3
		15.904	17.59	1852	88	T3	T3	T3
17.920		17.59	2086	78	T3	T3	T3	
20.286		17.59	2362	69	T3	T3	T3	
22.857		17.59	2661	61	T3	T3	T3	
24.850		17.59	2893	56	T3	T3	T3	
28.000		17.59	3260	50	T3	T3	T3	
32.739		14.70	3186	43	T4	T3	T4	

For dimensions, see page 4-78 onwards.

# Shaft-mounted helical gearbox selection tables

Gearboxes with mounting flange for Atex category 2GD. 3GD (zone 1, 21, 2, 22)



$M_2 \text{ perm} \leq 4068 \text{ Nm}$				GFL11-2N □□□						
Gearbox with	Mounting flange size			i	$P_{1 \text{ perm}}$	$M_2 \text{ perm}$	$n_2$	Temperature class		
	Motor frame size	Flange diameter						T3 (G) $\cong$ 190 °C (D) T4 (G) $\cong$ 125 °C (D)		
					[kW]	[Nm]	[rpm]	Mounting position		
								A, B, E, F	C	D

## $n_1 = 1400 \text{ rpm}$

GFL11-2N □□□	□G				36.889	14.70	3590	38	T4	T3	T4
	<b>1G</b>	2G	2G	3G	40.233	12.30	3276	35	T4	T4	T4
	<b>132</b>	100	112	132	45.333	12.30	3691	31	T4	T4	T4
	<b>300</b>	250	250	250	52.067	9.88	3404	27	T4	T4	T4
					58.667	9.88	3835	24	T4	T4	T4
					63.190	8.25	3449	22	T4	T4	T4
					71.200	8.25	3886	20	T4	T4	T4
GFL11-2N □□□	□H				6.864	49.48	2248	204	T3	T3	T3
	<b>1H</b>	2H	3H		7.466	49.48	2445	188	T3	T3	T3
	<b>160</b>	180	132		9.010	46.25	2758	155	T3	T3	T3
	<b>350</b>	350	300		9.799	46.25	3000	143	T3	T3	T3
					10.720	43.81	3108	131	T3	T3	T3
					12.480	34.97	2889	112	T3	T3	T3
					14.538	32.20	3099	96	T3	T3	T3
					15.904	30.08	3167	88	T3	T3	T3
					17.920	26.62	3157	78	T3	T3	T3
					20.286	25.11	3371	69	T3	T3	T3
					22.857	22.24	3364	61	T3	T3	T3
					24.850	21.62	3557	56	T3	T3	T3
					28.000	19.17	3553	50	T3	T3	T3
					32.739	17.70	3836	43	T4	T3	T4
					36.889	15.70	3834	38	T4	T3	T4
					40.233	15.28	4068	35	T4	T3	T4
				45.333	13.56	4067	31	T4	T3	T4	
GFL11-2N □□□	□K				6.864	57.72	2622	204	T3	T3	T3
	<b>1K</b>	2K			7.466	57.72	2852	188	T3	T3	T3
	<b>200</b>	225			9.010	52.65	3139	155	T3	T3	T3
	<b>400</b>	450			9.799	48.41	3139	143	T3	T3	T3
					10.720	45.22	3208	131	T3	T3	T3
					12.480	34.97	2889	112	T3	T3	T3
					14.538	32.20	3099	96	T3	T3	T3
					15.904	30.08	3167	88	T3	T3	T3
					17.920	26.62	3157	78	T3	T3	T3
					20.286	25.11	3371	69	T3	T3	T3
					22.857	22.24	3364	61	T3	T3	T3
					24.850	21.62	3557	56	T3	T3	T3
					28.000	19.17	3553	50	T3	T3	T3

## $n_1 = 700 \text{ rpm}$

GFL11-2N □□□	□E				52.067	2.39	1648	13	T4	T4	T4
	<b>1E</b>	<b>1E</b>	2E	3E	4E	58.667	2.39	1857	12	T4	T4
	<b>100</b>	<b>112</b>	90	80	90	63.190	2.00	1671	11	T4	T4
	<b>160</b>	<b>160</b>	160	160	200	71.200	2.00	1883	9.8	T4	T4
						79.875	1.60	1695	8.8	T4	T4
						90.000	1.60	1910	7.8	T4	T4
GFL11-2N □□□	□F				20.286	4.40	1181	35	T4	T4	T4
	<b>1F</b>	<b>1F</b>	2F	3F		22.857	4.40	1331	31	T4	T4
	<b>100</b>	<b>112</b>	90	90		32.739	3.82	1657	21	T4	T4
	<b>160</b>	<b>160</b>	160	200		36.889	3.82	1868	19	T4	T4
						40.233	3.20	1702	17	T4	T4
						45.333	3.20	1917	15	T4	T4
						52.067	2.57	1769	13	T4	T4
						58.667	2.57	1994	12	T4	T4
						63.190	2.14	1793	11	T4	T4
						71.200	2.14	2020	9.8	T4	T4
						79.875	1.72	1817	8.8	T4	T4
						90.000	1.72	2048	7.8	T4	T4

For dimensions, see page 4-78 onwards.

# Shaft-mounted helical gearbox selection tables

Gearboxes with mounting flange for Atex category 2GD, 3GD (zone 1, 21, 2, 22)

$M_2 \text{ perm} \leq 4068 \text{ Nm}$				GFL11-2N □□□							
Gearbox with	Mounting flange size			i	$P_1 \text{ perm}$	$M_2 \text{ perm}$	$n_2$	Temperature class			
	Motor frame size	Flange diameter						T3 (G) $\cong$ 190 °C (D) T4 (G) $\cong$ 125 °C (D)			
								Mounting position			
					[kW]	[Nm]	[rpm]	A, B, E, F	C	D	
<b><math>n_1 = 700 \text{ rpm}</math></b>											
GFL11-2N □□□	□G			10.720	11.73	1664	65	T4	T4	T4	
	1G	2G	2G	15.904	11.73	2469	44	T4	T4	T4	
	132	100	112	17.920	11.73	2782	39	T4	T4	T4	
	300	250	250	20.286	10.61	2848	35	T4	T4	T4	
				22.857	10.61	3210	31	T4	T4	T4	
				24.850	9.14	3007	28	T4	T4	T4	
				28.000	9.14	3389	25	T4	T4	T4	
				32.739	7.35	3186	21	T4	T4	T4	
				36.889	7.35	3590	19	T4	T4	T4	
				40.233	6.15	3276	17	T4	T4	T4	
				45.333	6.15	3691	15	T4	T4	T4	
				52.067	4.94	3404	13	T4	T4	T4	
				58.667	4.94	3835	12	T4	T4	T4	
				63.190	4.12	3449	11	T4	T4	T4	
				71.200	4.12	3886	9.8	T4	T4	T4	
	GFL11-2N □□□	□H			6.864	27.23	2474	102	T4	T3	T4
		1H	2H	3H	7.466	27.23	2691	94	T4	T3	T4
160		180	132	9.010	23.13	2758	78	T4	T3	T4	
350		350	300	9.799	23.13	3000	71	T4	T3	T4	
				10.720	21.90	3108	65	T4	T3	T4	
				12.480	17.49	2889	56	T4	T3	T4	
				14.538	16.10	3099	48	T4	T3	T4	
				15.904	15.04	3167	44	T4	T3	T4	
				17.920	13.31	3157	39	T4	T3	T4	
				20.286	12.55	3371	35	T4	T3	T4	
				22.857	11.12	3364	31	T4	T3	T4	
				24.850	10.81	3557	28	T4	T3	T4	
				28.000	9.59	3553	25	T4	T3	T4	
				32.739	8.85	3836	21	T4	T3	T4	
				36.889	7.85	3834	19	T4	T3	T4	
				40.233	7.64	4068	17	T4	T3	T4	
				45.333	6.78	4067	15	T4	T3	T4	
GFL11-2N □□□	□K			6.864	30.86	2804	102	T4	T3	T4	
	1K	2K		7.466	30.04	2969	94	T4	T3	T4	
	200	225		9.010	26.33	3139	78	T4	T3	T4	
	400	450		9.799	24.20	3139	71	T4	T3	T4	
				10.720	22.61	3208	65	T4	T3	T4	
				12.480	17.49	2889	56	T4	T3	T4	
				14.538	16.10	3099	48	T4	T3	T4	
				15.904	15.04	3167	44	T4	T3	T4	
				17.920	13.31	3157	39	T4	T3	T4	
				20.286	12.55	3371	35	T4	T3	T4	
				22.857	11.12	3364	31	T4	T3	T4	
			24.850	10.81	3557	28	T4	T3	T4		
			28.000	9.59	3553	25	T4	T3	T4		

For dimensions, see page 4-78 onwards.



# Shaft-mounted helical gearbox selection tables

Gearboxes with mounting flange for Atex category 2GD. 3GD (zone 1, 21, 2, 22)



$M_2 \text{ perm} \leq 5844 \text{ Nm}$							GFL11-3N □□□							
Gearbox with	Mounting flange size Motor frame size Flange diameter						i	$P_{1 \text{ perm}}$ [kW]	$M_2 \text{ perm}$ [Nm]	$n_2$ [rpm]	Temperature class T3 (G) $\cong$ 190 °C (D) T4 (G) $\cong$ 125 °C (D)			
	Mounting position A, B, C E, F			D										
<b><math>n_1 = 1400 \text{ rpm}</math></b>														
GFL11-3N □□□ □C	1C	2C	3C	4C	6C	7C	358.077	1.12	2606	3.9	T4	T4	T4	
	80	71	71	71	63	80	403.467	1.12	2936	3.5	T4	T4	T4	
	160	160	105	120	160	120	430.222	1.34	3750	3.3	T4	T4	T4	
							522.133	1.12	3800	2.7	T4	T4	T4	
							562.391	1.12	4093	2.5	T4	T4	T4	
							633.680	1.12	4611	2.2	T4	T4	T4	
							710.887	0.90	4149	2.0	T4	T4	T4	
							801.000	0.90	4675	1.8	T4	T4	T4	
	GFL11-3N □□□ □D	1D	2D					65.306	2.31	983	21	T4	T4	T4
		90	80					93.540	2.31	1408	15	T4	T4	T4
160		160					105.397	2.31	1586	13	T4	T4	T4	
							149.144	2.31	2245	9.4	T4	T4	T4	
							168.049	2.31	2529	8.3	T4	T4	T4	
							182.792	2.29	2734	7.7	T4	T4	T4	
							205.963	2.29	3081	6.8	T4	T4	T4	
							224.636	2.29	3360	6.2	T4	T4	T4	
							253.111	2.29	3786	5.5	T4	T4	T4	
							267.259	2.29	3989	5.2	T4	T4	T4	
							327.556	2.02	4315	4.3	T4	T4	T4	
							358.077	1.50	3504	3.9	T4	T4	T4	
							403.467	1.50	3948	3.5	T4	T4	T4	
							430.222	1.71	4792	3.3	T4	T4	T4	
							522.133	1.50	5109	2.7	T4	T4	T4	
							562.391	1.31	4792	2.5	T4	T4	T4	
							633.680	1.31	5411	2.2	T4	T4	T4	
							710.887	1.13	5215	2.0	T4	T4	T4	
							801.000	1.12	5844	1.8	T4	T4	T4	
GFL11-3N □□□ □E	1E	1E	2E	3E	4E		65.306	5.26	2241	21	T4	T4	T4	
	100	112	90	80	90		73.335	4.66	2229	19	T4	T3	T4	
	160	160	160	160	200		82.631	4.66	2511	17	T4	T3	T4	
							93.540	4.08	2485	15	T4	T4	T4	
							105.397	4.08	2800	13	T4	T4	T4	
							114.586	3.63	2714	12	T4	T4	T4	
							129.111	3.63	3058	11	T4	T4	T4	
							149.144	3.10	3018	9.4	T4	T4	T4	
							168.049	3.10	3401	8.3	T4	T4	T4	
							182.792	2.77	3307	7.7	T4	T4	T4	
							205.963	2.77	3726	6.8	T4	T4	T4	
							224.636	2.41	3534	6.2	T4	T4	T4	
							253.111	2.41	3982	5.5	T4	T4	T4	
							267.259	2.29	3989	5.2	T4	T4	T4	
							327.556	2.02	4315	4.3	T4	T4	T4	
							358.077	1.81	4226	3.9	T4	T4	T4	
							403.467	1.81	4762	3.5	T4	T4	T4	
							430.222	1.71	4792	3.3	T4	T4	T4	
							522.133	1.52	5167	2.7	T4	T4	T4	
						562.391	1.31	4792	2.5	T4	T4	T4		
						633.680	1.31	5411	2.2	T4	T4	T4		
GFL11-3N □□□ □F	1F	1F	2F	3F			65.306	5.26	2241	21	T4	T4	T4	
	100	112	90	90			73.335	4.66	2229	19	T4	T3	T4	
	160	160	160	200			82.631	4.66	2511	17	T4	T3	T4	
							93.540	4.08	2485	15	T4	T4	T4	
							105.397	4.08	2800	13	T4	T4	T4	
							114.586	3.63	2714	12	T4	T4	T4	
							129.111	3.63	3058	11	T4	T4	T4	
							149.144	3.10	3018	9.4	T4	T4	T4	
							168.049	3.10	3401	8.3	T4	T4	T4	
							182.792	2.77	3307	7.7	T4	T4	T4	

For dimensions, see page 4-78 onwards.

# Shaft-mounted helical gearbox selection tables

Gearboxes with mounting flange for Atex category 2GD, 3GD (zone 1, 21, 2, 22)

$M_2 \text{ perm} \leq 5844 \text{ Nm}$				GFL11-3N □□□				
Gearbox with Mounting flange size Motor frame size Flange diameter	i	$P_{1 \text{ perm}}$ [kW]	$M_2 \text{ perm}$ [Nm]	$n_2$ [rpm]	Temperature class			
					T3 (G) $\cong$ 190 °C (D)	T4 (G) $\cong$ 125 °C (D)		
					Mounting position			
					A, B, E, F	C	D	
<b><math>n_1 = 1400 \text{ rpm}</math></b>								
GFL11-3N □□□ □F 1F 1F 2F 3F 100 112 90 90 160 160 160 200	205.963	2.77	3726	6.8	T4	T4	T4	
	224.636	2.41	3534	6.2	T4	T4	T4	
	253.111	2.41	3982	5.5	T4	T4	T4	
	267.259	2.29	3989	5.2	T4	T4	T4	
	327.556	2.02	4315	4.3	T4	T4	T4	
GFL11-3N □□□ □G 1G 2G 2G 3G 132 100 112 132 300 250 250 250	65.306	5.26	2241	21	T4	T3	T4	
	73.335	4.66	2229	19	T4	T3	T4	
	82.631	4.66	2511	17	T4	T3	T4	
	93.540	4.08	2485	15	T4	T3	T4	
	105.397	4.08	2800	13	T4	T3	T4	
	114.586	3.63	2714	12	T4	T4	T4	
	129.111	3.63	3058	11	T4	T4	T4	
GFL11-3N □□□ □H 1H 2H 3H 160 180 132 350 350 300	73.335	4.66	2229	19	T3	T3	T3	
	82.631	4.66	2511	17	T3	T3	T3	
<b><math>n_1 = 700 \text{ rpm}</math></b>								
GFL11-3N □□□ □C 1C 2C 3C 4C 6C 7C 80 71 71 71 63 80 160 160 105 120 160 120	358.077	0.56	2606	2.0	T4	T4	T4	
	403.467	0.56	2936	1.7	T4	T4	T4	
	430.222	0.67	3750	1.6	T4	T4	T4	
	522.133	0.56	3800	1.3	T4	T4	T4	
	562.391	0.56	4093	1.2	T4	T4	T4	
	633.680	0.56	4611	1.1	T4	T4	T4	
	710.887	0.45	4149	1.0	T4	T4	T4	
	801.000	0.45	4675	0.9	T4	T4	T4	
	GFL11-3N □□□ □D 1D 2D 90 80 160 160	65.306	1.54	1311	11	T4	T4	T4
		93.540	1.54	1877	7.5	T4	T4	T4
105.397		1.54	2115	6.6	T4	T4	T4	
149.144		1.34	2605	4.7	T4	T4	T4	
168.049		1.34	2935	4.2	T4	T4	T4	
182.792		1.15	2734	3.8	T4	T4	T4	
205.963		1.15	3081	3.4	T4	T4	T4	
224.636		1.15	3360	3.1	T4	T4	T4	
253.111		1.15	3786	2.8	T4	T4	T4	
267.259		1.14	3989	2.6	T4	T4	T4	
327.556		1.01	4315	2.1	T4	T4	T4	
358.077		0.75	3504	2.0	T4	T4	T4	
403.467		0.75	3948	1.7	T4	T4	T4	
430.222		0.85	4792	1.6	T4	T4	T4	
522.133		0.75	5109	1.3	T4	T4	T4	
562.391		0.65	4792	1.2	T4	T4	T4	
633.680		0.65	5411	1.1	T4	T4	T4	
710.887		0.56	5215	1.0	T4	T4	T4	
801.000		0.56	5844	0.9	T4	T4	T4	
GFL11-3N □□□ □E 1E 1E 2E 3E 4E 100 112 90 80 90 160 160 160 160 200		65.306	2.63	2241	11	T4	T4	T4
	73.335	2.33	2229	9.6	T4	T4	T4	
	82.631	2.33	2511	8.5	T4	T4	T4	
	93.540	2.04	2485	7.5	T4	T4	T4	
	105.397	2.04	2800	6.6	T4	T4	T4	
	114.586	1.82	2714	6.1	T4	T4	T4	
	129.111	1.82	3058	5.4	T4	T4	T4	
	149.144	1.55	3018	4.7	T4	T4	T4	
	168.049	1.55	3401	4.2	T4	T4	T4	
	182.792	1.39	3307	3.8	T4	T4	T4	
	205.963	1.39	3726	3.4	T4	T4	T4	
	224.636	1.21	3534	3.1	T4	T4	T4	
	253.111	1.21	3982	2.8	T4	T4	T4	
	267.259	1.14	3989	2.6	T4	T4	T4	

For dimensions, see page 4-78 onwards.

# Shaft-mounted helical gearbox selection tables

Gearboxes with mounting flange for Atex category 2GD. 3GD (zone 1, 21, 2, 22)



$M_2 \text{ perm} \leq 5844 \text{ Nm}$					GFL11-3N □□□						
Gearbox with	Mounting flange size				i	$P_1 \text{ perm}$	$M_2 \text{ perm}$	$n_2$	Temperature class		
	Motor frame size	Flange diameter							T3 (G) $\cong$ 190 °C (D) T4 (G) $\cong$ 125 °C (D)		
									Mounting position		
						[kW]	[Nm]	[rpm]	A, B, E, F	C	D
<b><math>n_1 = 700 \text{ rpm}</math></b>											
GFL11-3N □□□	□E				327.556	1.01	4315	2.1	T4	T4	T4
	<b>1E</b>	<b>1E</b>	2E	3E	358.077	0.91	4226	2.0	T4	T4	T4
	<b>100</b>	<b>112</b>	90	80	403.467	0.91	4762	1.7	T4	T4	T4
	<b>160</b>	<b>160</b>	160	160	430.222	0.85	4792	1.6	T4	T4	T4
					522.133	0.76	5167	1.3	T4	T4	T4
					562.391	0.65	4792	1.2	T4	T4	T4
					633.680	0.65	5411	1.1	T4	T4	T4
GFL11-3N □□□	□F				65.306	2.63	2241	11	T4	T4	T4
	<b>1F</b>	<b>1F</b>	2F	3F	73.335	2.33	2229	9.6	T4	T4	T4
	<b>100</b>	<b>112</b>	90	90	82.631	2.33	2511	8.5	T4	T4	T4
	<b>160</b>	<b>160</b>	160	200	93.540	2.04	2485	7.5	T4	T4	T4
					105.397	2.04	2800	6.6	T4	T4	T4
					114.586	1.82	2714	6.1	T4	T4	T4
					129.111	1.82	3058	5.4	T4	T4	T4
					149.144	1.55	3018	4.7	T4	T4	T4
					168.049	1.55	3401	4.2	T4	T4	T4
					182.792	1.39	3307	3.8	T4	T4	T4
					205.963	1.39	3726	3.4	T4	T4	T4
					224.636	1.21	3534	3.1	T4	T4	T4
					253.111	1.21	3982	2.8	T4	T4	T4
					267.259	1.14	3989	2.6	T4	T4	T4
				327.556	1.01	4315	2.1	T4	T4	T4	
GFL11-3N □□□	□G				65.306	2.63	2241	11	T4	T4	T4
	<b>1G</b>	2G	2G	3G	73.335	2.33	2229	9.6	T4	T4	T4
	<b>132</b>	100	112	132	82.631	2.33	2511	8.5	T4	T4	T4
	<b>300</b>	250	250	250	93.540	2.04	2485	7.5	T4	T4	T4
					105.397	2.04	2800	6.6	T4	T4	T4
					114.586	1.82	2714	6.1	T4	T4	T4
					129.111	1.82	3058	5.4	T4	T4	T4
GFL11-3N □□□	□H				73.335	2.33	2229	9.6	T4	T3	T4
	<b>1H</b>	2H	3H		82.631	2.33	2511	8.5	T4	T3	T4
	<b>160</b>	180	132								
	<b>350</b>	350	300								

For dimensions, see page 4-78 onwards.

# Shaft-mounted helical gearbox selection tables

Gearboxes with mounting flange for Atex category 2GD, 3GD (zone 1, 21, 2, 22)

$M_2 \text{ perm} \leq 9533 \text{ Nm}$				GFL14-2N □□□						
Gearbox with	Mounting flange size			i	$P_1 \text{ perm}$	$M_2 \text{ perm}$	$n_2$	Temperature class		
	Motor frame size	Flange diameter						T3 (G) $\cong$ 190 °C (D) T4 (G) $\cong$ 125 °C (D)		
					[kW]	[Nm]	[rpm]	Mounting position		
								A, B, E, F	C	D
<b><math>n_1 = 2800 \text{ rpm}</math></b>										
GFL14-2N □□□	□G			32.344	32.47	3475	87	T3	-	-
	<b>1G</b>	2G	2G	36.444	32.47	3915	77	T3	-	-
	<b>132</b>	100	112	39.642	28.11	3688	71	T3	-	-
	<b>300</b>	250	250	44.667	28.11	4156	63	T3	-	-
				52.067	22.05	3800	54	T3	-	-
				58.667	22.05	4281	48	T3	-	-
				63.190	18.42	3853	44	T3	-	-
				71.200	19.97	4704	39	T3	-	-
				79.875	16.03	4236	35	T3	-	-
				90.000	16.03	4773	31	T3	-	-
	<b><math>n_1 = 1400 \text{ rpm}</math></b>									
GFL14-2N □□□	□G			32.344	17.59	3766	43	T3	T3	T3
	<b>1G</b>	2G	2G	36.444	17.59	4243	38	T3	T3	T3
	<b>132</b>	100	112	39.642	15.23	3997	35	T4	T3	T4
	<b>300</b>	250	250	44.667	15.23	4503	31	T4	T3	T4
				52.067	11.95	4118	27	T4	T4	T4
				58.667	11.95	4640	24	T4	T4	T4
				63.190	9.98	4175	22	T4	T4	T4
				71.200	9.98	4704	20	T4	T4	T4
				79.875	8.01	4236	18	T4	T4	T4
				90.000	8.01	4773	16	T4	T4	T4
	GFL14-2N □□□	□H			8.800	49.48	2882	159	T3	T3
<b>1H</b>		2H	3H	9.571	49.48	3134	146	T3	T3	T3
<b>160</b>		180	132	14.200	49.48	4650	99	T3	T3	T3
<b>350</b>		350	300	15.620	49.48	5115	90	T3	T3	T3
				17.600	49.48	5763	80	T3	T3	T3
				19.948	44.90	5928	70	T3	T3	T3
				22.476	44.90	6680	62	T3	T3	T3
				24.456	38.80	6279	57	T3	T3	T3
				27.556	38.80	7075	51	T3	T3	T3
				32.344	31.16	6669	43	T3	T3	T3
				36.444	31.16	7515	38	T3	T3	T3
				39.642	26.63	6987	35	T3	T3	T3
				44.667	26.63	7872	31	T3	T3	T3
				52.067	21.02	7244	27	T4	T3	T4
				58.667	21.02	8162	24	T4	T3	T4
				63.190	17.65	7382	22	T4	T3	T4
			71.200	17.65	8318	20	T4	T3	T4	
GFL14-2N □□□	□K			7.150	57.72	2731	196	T3	T3	T3
	<b>1K</b>	2K		7.777	57.72	2971	180	T3	T3	T3
	<b>200</b>	225		8.800	57.72	3362	159	T3	T3	T3
	<b>400</b>	450		9.571	57.72	3657	146	T3	T3	T3
				11.537	57.72	4408	121	T3	T3	T3
				13.000	57.72	4966	108	T3	T3	T3
				14.200	57.72	5425	99	T3	T3	T3
				15.620	57.72	5967	90	T3	T3	T3
				17.600	57.72	6724	80	T3	T3	T3
				19.948	57.72	7621	70	T3	T3	T3
				22.476	55.90	8316	62	T3	T3	T3
				24.456	49.99	8092	57	T3	T3	T3
				27.556	48.29	8807	51	T3	T3	T3
				32.344	40.09	8583	43	T3	T3	T3
				36.444	39.52	9533	38	T3	T3	T3

For dimensions, see page 4-78 onwards.

# Shaft-mounted helical gearbox selection tables

Gearboxes with mounting flange for Atex category 2GD. 3GD (zone 1, 21, 2, 22)



$M_2 \text{ perm} \leq 9533 \text{ Nm}$				GFL14-2N □□□						
Gearbox with	Mounting flange size			i	$P_1 \text{ perm}$	$M_2 \text{ perm}$	$n_2$	Temperature class		
	Motor frame size	Flange diameter						T3 (G) $\cong$ 190 °C (D) T4 (G) $\cong$ 125 °C (D)		
								Mounting position		
					[kW]	[Nm]	[rpm]	A, B, E, F	C	D

## $n_1 = 700 \text{ rpm}$

GFL14-2N □□□ □G	1G	2G	2G	3G	32.344	8.87	3798	22	T4	T4	T4	
	132	100	112	132	36.444	8.87	4280	19	T4	T4	T4	
	300	250	250	250	39.642	7.62	3997	18	T4	T4	T4	
					44.667	7.62	4503	16	T4	T4	T4	
					52.067	5.97	4118	13	T4	T4	T4	
					58.667	5.97	4640	12	T4	T4	T4	
					63.190	4.99	4175	11	T4	T4	T4	
					71.200	4.99	4704	9.8	T4	T4	T4	
					79.875	4.01	4236	8.8	T4	T4	T4	
					90.000	4.01	4773	7.8	T4	T4	T4	
	GFL14-2N □□□ □H	1H	2H	3H		8.800	28.07	3270	80	T3	T3	T3
		160	180	132		9.571	28.07	3557	73	T3	T3	T3
350		350	300		14.200	28.07	5276	49	T3	T3	T3	
					15.620	26.44	5467	45	T4	T3	T4	
					17.600	26.44	6160	40	T4	T3	T4	
					19.948	22.45	5928	35	T4	T3	T4	
					22.476	22.45	6680	31	T4	T3	T4	
					24.456	19.40	6279	29	T4	T3	T4	
					27.556	19.40	7075	25	T4	T3	T4	
					32.344	15.58	6669	22	T4	T3	T4	
					36.444	15.58	7515	19	T4	T3	T4	
					39.642	13.32	6987	18	T4	T3	T4	
					44.667	13.32	7872	16	T4	T3	T4	
					52.067	10.51	7244	13	T4	T3	T4	
					58.667	10.51	8162	12	T4	T3	T4	
					63.190	8.83	7382	11	T4	T3	T4	
				71.200	8.83	8318	9.8	T4	T3	T4		
GFL14-2N □□□ □K	1K	2K			7.150	38.48	3642	98	T3	T3	T3	
	200	225			7.777	38.48	3961	90	T3	T3	T3	
	400	450			8.800	36.30	4228	80	T3	T3	T3	
					9.571	36.30	4599	73	T3	T3	T3	
					11.537	38.48	5877	61	T3	T3	T3	
					13.000	38.48	6622	54	T3	T3	T3	
					14.200	36.30	6823	49	T3	T3	T3	
					15.620	34.18	7066	45	T4	T3	T4	
					17.600	33.36	7771	40	T4	T3	T4	
					19.948	28.97	7650	35	T4	T3	T4	
					22.476	27.95	8316	31	T4	T3	T4	
					24.456	25.00	8092	29	T4	T3	T4	
					27.556	24.15	8807	25	T4	T3	T4	
					32.344	20.05	8583	22	T4	T3	T4	
					36.444	19.76	9533	19	T4	T3	T4	

For dimensions, see page 4-78 onwards.

# Shaft-mounted helical gearbox selection tables

Gearboxes with mounting flange for Atex category 2GD, 3GD (zone 1, 21, 2, 22)

$M_2 \text{ perm} \leq 9811 \text{ Nm}$		GFL14-3N □□□					
Gearbox with Mounting flange size Motor frame size Flange diameter	i	$P_1 \text{ perm}$ [kW]	$M_2 \text{ perm}$ [Nm]	$n_2$ [rpm]	Temperature class		
					T3 (G) $\cong$ 190 °C (D) T4 (G) $\cong$ 125 °C (D)		
					Mounting position		
					A, B, E, F	C	D

$n_1 = 1400 \text{ rpm}$

GFL14-3N □□□ □D 1D 2D 90 80 160 160	202.074	2.31	3042	6.9	T4	T4	T4
	352.811	1.93	4447	4.0	T4	T4	T4
	397.533	1.93	5011	3.5	T4	T4	T4
	430.222	2.31	6476	3.3	T4	T4	T4
	522.133	1.93	6582	2.7	T4	T4	T4
	562.391	1.93	7089	2.5	T4	T4	T4
	633.680	1.93	7988	2.2	T4	T4	T4
	710.887	1.55	7185	2.0	T4	T4	T4
	801.000	1.55	8096	1.8	T4	T4	T4
	GFL14-3N □□□ □E 1E 1E 2E 3E 4E 100 112 90 80 90 160 160 160 160 200	68.708	6.60	2955	20	T4	T3
77.418		6.60	3329	18	T4	T3	T4
104.889		5.72	3910	13	T4	T4	T4
114.126		5.72	4254	12	T4	T4	T4
128.593		5.72	4793	11	T4	T4	T4
156.148		4.91	4995	9.0	T4	T4	T4
170.074		5.62	6228	8.2	T4	T4	T4
202.074		3.94	5190	6.9	T4	T4	T4
224.636		4.45	6521	6.2	T4	T4	T4
253.111		4.45	7348	5.5	T4	T4	T4
273.778		4.11	7333	5.1	T4	T4	T4
332.444		3.66	7932	4.2	T4	T4	T4
352.811		3.29	7568	4.0	T4	T4	T4
397.533		3.29	8527	3.5	T4	T4	T4
430.222		3.14	8800	3.3	T4	T4	T4
522.133		2.77	9429	2.7	T4	T4	T4
562.391		2.39	8773	2.5	T4	T4	T4
633.680		2.37	9811	2.2	T4	T4	T4
710.887		1.95	9036	2.0	T4	T4	T4
801.000		1.88	9811	1.8	T4	T4	T4
GFL14-3N □□□ □F 1F 1F 2F 3F 100 112 90 90 160 160 160 200	64.296	6.60	2765	22	T3	T3	T3
	68.708	6.60	2955	20	T4	T3	T4
	77.418	6.60	3329	18	T4	T3	T4
	85.037	6.60	3657	17	T3	T3	T3
	104.889	6.11	4177	13	T4	T4	T4
	114.126	6.11	4545	12	T4	T4	T4
	128.593	6.11	5121	11	T4	T4	T4
	136.889	6.15	5491	10	T3	T3	T3
	156.148	5.24	5332	9.0	T4	T4	T4
	170.074	5.62	6228	8.2	T4	T4	T4
	202.074	4.20	5538	6.9	T4	T4	T4
	224.636	4.45	6521	6.2	T4	T4	T4
	253.111	4.45	7348	5.5	T4	T4	T4
	273.778	4.11	7333	5.1	T4	T4	T4
	332.444	3.66	7932	4.2	T4	T4	T4
	352.811	3.37	7753	4.0	T4	T4	T4
	397.533	3.37	8733	3.5	T4	T4	T4
	430.222	3.14	8800	3.3	T4	T4	T4
	522.133	2.77	9429	2.7	T4	T4	T4
	562.391	2.39	8773	2.5	T4	T4	T4
633.680	2.37	9811	2.2	T4	T4	T4	
GFL14-3N □□□ □G 1G 2G 2G 3G 132 100 112 132 300 250 250 250	64.296	9.77	4095	22	T3	T3	T3
	68.708	8.83	3953	20	T4	T3	T4
	77.418	8.83	4454	18	T4	T3	T4
	85.037	8.32	4615	17	T3	T3	T3
	104.889	7.35	5028	13	T4	T4	T4
	114.126	6.64	4941	12	T4	T4	T4
	128.593	6.64	5567	11	T4	T4	T4
	136.889	6.15	5491	10	T3	T3	T3

For dimensions, see page 4-78 onwards.

# Shaft-mounted helical gearbox selection tables

Gearboxes with mounting flange for Atex category 2GD. 3GD (zone 1, 21, 2, 22)



$M_2 \text{ perm} \leq 9811 \text{ Nm}$				GFL14-3N □□□						
Gearbox with	Mounting flange size			i	$P_1 \text{ perm}$	$M_2 \text{ perm}$	$n_2$	Temperature class		
	Motor frame size	Flange diameter						T3 (G) $\cong$ 190 °C (D) T4 (G) $\cong$ 125 °C (D)		
					[kW]	[Nm]	[rpm]	Mounting position		
								A, B, E, F	C	D
<b><math>n_1 = 1400 \text{ rpm}</math></b>										
GFL14-3N □□□	□G			156.148	5.94	6049	9.0	T4	T4	T4
	<b>1G</b>	2G	2G	170.074	5.62	6228	8.2	T4	T4	T4
	<b>132</b>	100	112	224.636	4.45	6521	6.2	T4	T4	T4
	<b>300</b>	250	250	253.111	4.45	7348	5.5	T4	T4	T4
				273.778	4.11	7333	5.1	T4	T4	T4
				332.444	3.66	7932	4.2	T4	T4	T4
GFL14-3N □□□	□H			64.296	9.77	4095	22	T3	T3	T3
	<b>1H</b>	2H	3H	68.708	8.83	3953	20	T3	T3	T3
	<b>160</b>	180	132	77.418	8.83	4454	18	T3	T3	T3
	<b>350</b>	350	300	85.037	8.32	4615	17	T3	T3	T3
				136.889	6.15	5491	10	T3	T3	T3
<b><math>n_1 = 700 \text{ rpm}</math></b>										
GFL14-3N □□□	□D			202.074	1.16	3049	3.5	T4	T4	T4
	<b>1D</b>	2D		352.811	0.97	4447	2.0	T4	T4	T4
	<b>90</b>	80		397.533	0.97	5011	1.8	T4	T4	T4
	<b>160</b>	160		430.222	1.16	6491	1.6	T4	T4	T4
				522.133	0.97	6582	1.3	T4	T4	T4
				562.391	0.97	7089	1.2	T4	T4	T4
				633.680	0.97	7988	1.1	T4	T4	T4
				710.887	0.78	7185	1.0	T4	T4	T4
				801.000	0.78	8096	0.9	T4	T4	T4
	GFL14-3N □□□	□E			68.708	4.23	3787	10	T4	T4
<b>1E</b>		<b>1E</b>	2E	77.418	4.23	4267	9.0	T4	T4	T4
<b>100</b>		<b>112</b>	90	104.889	2.86	3910	6.7	T4	T4	T4
<b>160</b>		<b>160</b>	160	114.126	2.86	4254	6.1	T4	T4	T4
				128.593	2.86	4793	5.4	T4	T4	T4
				156.148	2.45	4995	4.5	T4	T4	T4
				170.074	2.81	6228	4.1	T4	T4	T4
				202.074	1.97	5190	3.5	T4	T4	T4
				224.636	2.23	6521	3.1	T4	T4	T4
				253.111	2.23	7348	2.8	T4	T4	T4
				273.778	2.05	7333	2.6	T4	T4	T4
				332.444	1.83	7932	2.1	T4	T4	T4
				352.811	1.65	7568	2.0	T4	T4	T4
				397.533	1.65	8527	1.8	T4	T4	T4
				430.222	1.57	8800	1.6	T4	T4	T4
				522.133	1.39	9429	1.3	T4	T4	T4
				562.391	1.20	8773	1.2	T4	T4	T4
				633.680	1.19	9811	1.1	T4	T4	T4
				710.887	0.97	9036	1.0	T4	T4	T4
			801.000	0.94	9811	0.9	T4	T4	T4	
GFL14-3N □□□	□F			64.296	4.40	3687	11	T4	T4	T4
	<b>1F</b>	<b>1F</b>	2F	68.708	4.40	3940	10	T4	T4	T4
	<b>100</b>	<b>112</b>	90	77.418	4.40	4439	9.0	T4	T4	T4
	<b>160</b>	<b>160</b>	160	85.037	4.16	4615	8.2	T4	T4	T4
				104.889	3.05	4177	6.7	T4	T4	T4
				114.126	3.05	4545	6.1	T4	T4	T4
				128.593	3.05	5121	5.4	T4	T4	T4
				136.889	3.08	5491	5.1	T4	T4	T4
				156.148	2.62	5332	4.5	T4	T4	T4
				170.074	2.81	6228	4.1	T4	T4	T4
				202.074	2.10	5538	3.5	T4	T4	T4
				224.636	2.23	6521	3.1	T4	T4	T4
				253.111	2.23	7348	2.8	T4	T4	T4
				273.778	2.05	7333	2.6	T4	T4	T4
				332.444	1.83	7932	2.1	T4	T4	T4

For dimensions, see page 4-78 onwards.

# Shaft-mounted helical gearbox selection tables

Gearboxes with mounting flange for Atex category 2GD, 3GD (zone 1, 21, 2, 22)

$M_2 \text{ perm} \leq 9811 \text{ Nm}$				GFL14-3N □□□						
Gearbox with	Mounting flange size			i	$P_{1 \text{ perm}}$	$M_2 \text{ perm}$	$n_2$	Temperature class		
	Motor frame size	Flange diameter						T3 (G) $\cong$ 190 °C (D) T4 (G) $\cong$ 125 °C (D)		
								Mounting position		
					[kW]	[Nm]	[rpm]	A, B, E, F	C	D
<b><math>n_1 = 700 \text{ rpm}</math></b>										
GFL14-3N □□□	□F			352.811	1.69	7753	2.0	T4	T4	T4
	<b>1F</b>	<b>1F</b>	2F 3F	397.533	1.68	8733	1.8	T4	T4	T4
	<b>100</b>	<b>112</b>	90 90	430.222	1.57	8800	1.6	T4	T4	T4
	<b>160</b>	<b>160</b>	160 200	522.133	1.39	9429	1.3	T4	T4	T4
				562.391	1.20	8773	1.2	T4	T4	T4
				633.680	1.19	9811	1.1	T4	T4	T4
GFL14-3N □□□	□G			64.296	4.88	4095	11	T4	T4	T4
	<b>1G</b>	2G 2G 3G		68.708	4.41	3953	10	T4	T4	T4
	<b>132</b>	100 112 132		77.418	4.41	4454	9.0	T4	T4	T4
	<b>300</b>	250 250 250		85.037	4.16	4615	8.2	T4	T4	T4
				104.889	3.68	5028	6.7	T4	T4	T4
				114.126	3.32	4941	6.1	T4	T4	T4
				128.593	3.32	5567	5.4	T4	T4	T4
				136.889	3.08	5491	5.1	T4	T4	T4
				156.148	2.97	6049	4.5	T4	T4	T4
				170.074	2.81	6228	4.1	T4	T4	T4
				224.636	2.23	6521	3.1	T4	T4	T4
				253.111	2.23	7348	2.8	T4	T4	T4
				273.778	2.05	7333	2.6	T4	T4	T4
				332.444	1.83	7932	2.1	T4	T4	T4
	GFL14-3N □□□	□H			64.296	4.88	4095	11	T4	T3
<b>1H</b>		2H 3H		68.708	4.41	3953	10	T4	T3	T4
<b>160</b>		180 132		77.418	4.41	4454	9.0	T4	T3	T4
<b>350</b>		350 300		85.037	4.16	4615	8.2	T4	T3	T4
				136.889	3.08	5491	5.1	T4	T3	T4

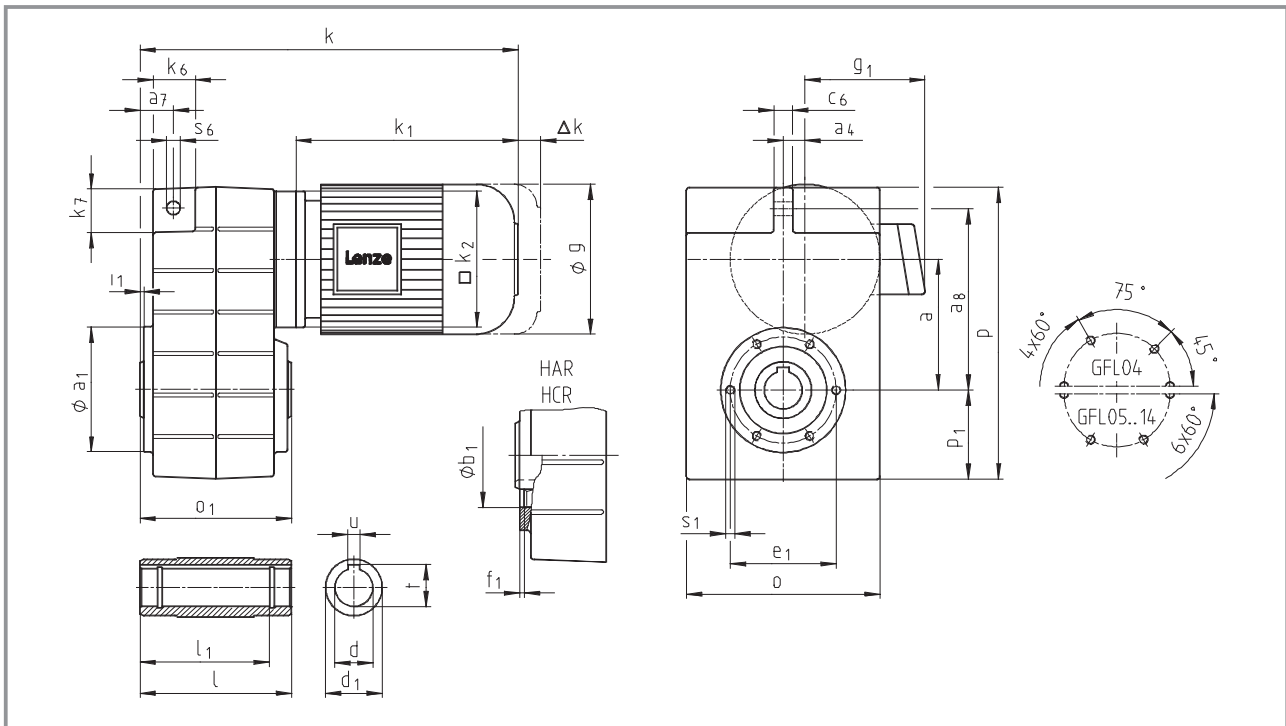
For dimensions, see page 4-78 onwards.





# Shaft-mounted helical gearbox dimensions

Geared motors for Atex category 2G, 2D, 3G, 3D (zone 1, 21, 2, 22)



4

Geared motor							Motor frame size																					
<b>GFL□□-2M HDR</b>							063-12	063-32	071-12	071-32	080-12	080-32	090-12	100-12	100-32	112-22												
Motor							<b>g</b>		129		142		156		176		194		233									
							<b>g<sub>1</sub></b> Without options		125		127		134		128		139		164									
							<b>k<sub>1</sub></b>		169		181		181		187		200		220		242		280		296		316	
							<b>k<sub>2</sub></b>		120		145		145		180		180		222									
Gearbox size		Gearbox					Overall length																					
		<b>o*</b>	<b>o<sub>1</sub></b>	<b>p*</b>	<b>p<sub>1</sub></b>	<b>a</b>	<b>a<sub>1</sub></b>	<b>k</b>																				
<b>04</b>		148	115	214	69	90.5	12.5	294	306	306	312	330	350															
<b>05</b>		165	140	252	78	112.5	18.5	315	327	327	333	351	371	403	441	457												
<b>06</b>		206	160	315	98	140	22	328	340	340	346	364	384	416	454	470	496											
<b>07</b>		256	200	386	118	173	29					397	417	449	487	503	529											
<b>09</b>		318	240	486	149	220	37.5							483	521	537	563											
<b>11</b>		395	290	600	181	276.5	50								562	578	604											
<b>14</b>		490	350	740	228	339	65										649											

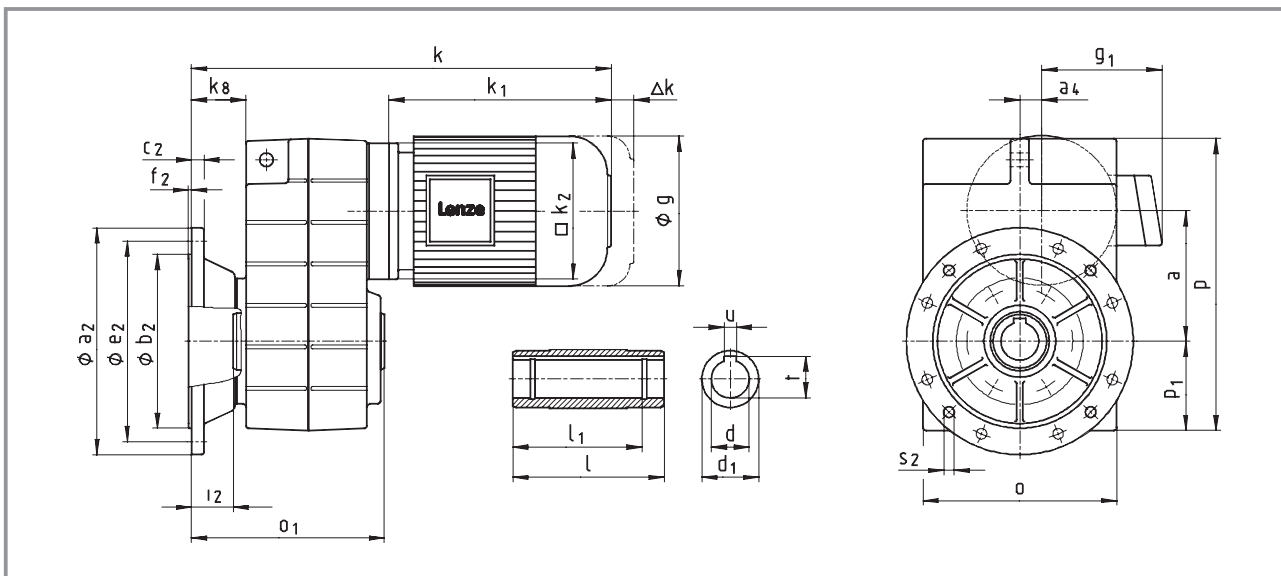
Gearbox size	Hollow shaft						Threaded pitch circle						Torque plate					
	<b>d</b> H7	<b>l</b>	<b>d<sub>1</sub></b>	<b>l<sub>1</sub></b>	<b>u</b> JS9	<b>t</b> +0.2	<b>a<sub>1</sub></b>	<b>b<sub>1</sub></b> H7	<b>e<sub>1</sub></b>	<b>f<sub>1</sub></b>	<b>i<sub>1</sub></b>	<b>s<sub>1</sub></b>	<b>a<sub>7</sub></b>	<b>a<sub>8</sub></b>	<b>c<sub>6</sub></b>	<b>s<sub>6</sub></b>	<b>k<sub>6</sub></b>	<b>k<sub>7</sub></b>
<b>04</b>	25 30	115	45	100	8 8	28.3	110 33.3	75	90	3	2.5	M6x12	22.5	128	14	12.5	32	35
<b>05</b>	30 35	140	50	124	8 10	33.3 38.3	118	80	100	4	4	M8x15	29	155	16	14	35	38
<b>06</b>	40 45	160	65	140	12 14	43.3 48.8	140	100	120	4	5	M10x16	35	195	20	14	46	46
<b>07</b>	50 55	200	75	175	14 16	53.8 59.3	165	115	140	5	5	M12x18	44	240	25	18	56	56
<b>09</b>	60 70	240	95	210	18 20	64.4 74.9	205	145	175	6	5	M16x24	50	300	32	22	70	70
<b>11</b>	70 80	290	105	250	20 22	74.9 85.4	240	140	205	6	6	M20x32	65	375	40	26	84	90
<b>14</b>	100	350	135	305	28	106.4	290	170	250	6	7	M24x35	80	455	50	32	100	114

Dimensions in [mm] \* Observe dimension k<sub>2</sub>.  
 Not suitable for through machine shaft at motor end:

GFL04-2M HDR 080-□□; d=30  
 GFL05-2M HDR 100-□□; d=35

# Shaft-mounted helical gearbox dimensions

## Geared motors for Atex category 2G, 2D, 3G, 3D (zone 1, 21, 2, 22)



Geared motor		Motor frame size																																	
		063-12		063-32		071-12		071-32		080-12		080-32		090-12 090-32		100-12		100-32		112-22															
<b>GFL□□-2M HCK</b>																																			
Motor		g		129		142		156		176		194		233																					
		g <sub>1</sub> Without options		125		127		134		128		139		164																					
		k <sub>1</sub>		169		181		181		187		200		220		242		280		296		316													
		k <sub>2</sub>		120		145		145		180		180		222																					
Gearbox size		Gearbox								Overall length																									
		o*		o <sub>1</sub>		p*		p <sub>1</sub>		a		a <sub>s</sub>		k <sub>s</sub>		k																			
04		148		148		214		69		90.5		12.5		41		327		339		339		345		363		383									
05		165		173		252		78		112.5		18.5		46		348		360		360		366		384		404		436		474		490			
06		206		201		315		98		140		22		55		369		381		381		387		405		425		457		495		511		537	
07		256		255		386		118		173		29		72										452		472		504		542		558		584	
09		318		300		486		149		220		37.5		77														543		581		597		623	
11		395		350		600		181		276.5		50		85														622		638		664			
14		490		410		740		228		339		65		89																				709	

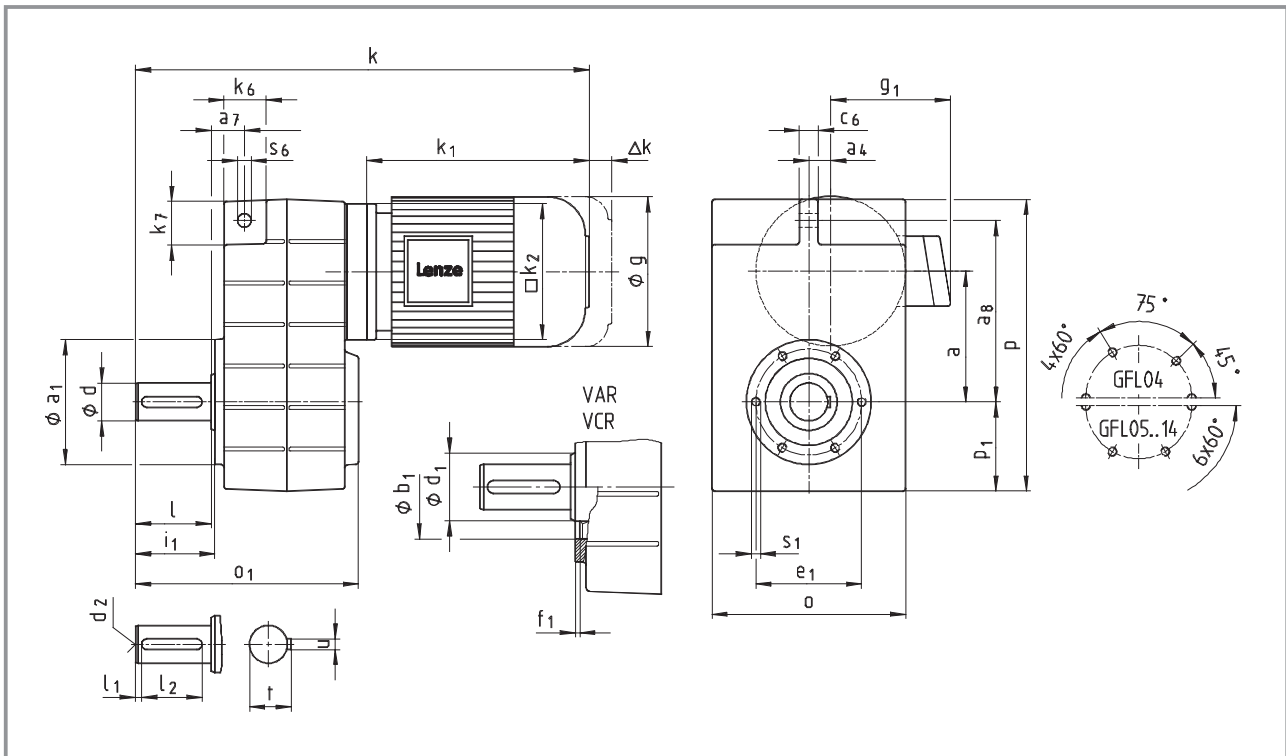
Gearbox size	Hollow shaft						Output flange							
	d H7	l	d <sub>1</sub>	l <sub>1</sub>	u JS9	t +0.2	a <sub>2</sub>	b <sub>2</sub> j7	c <sub>2</sub>	e <sub>2</sub>	f <sub>2</sub>	i <sub>2</sub>	s <sub>2</sub>	
04	25 30	115	45	100	8 8	28.3 33.3	160	110	10	130	3.5	33	4 x 9	
05	30 35	140	50	124	8 10	33.3 38.3	200	130	12	165	3.5	33	4 x 11	
06	40 45	160	65	140	12 14	43.3 48.8	200 250	130 180	12 15	165 215	3.5 4	42 41	4 x 11 4 x 14	
07	50 55	200	75	175	14 16	53.8 59.3	250 300	180 230	15 17	215 265	4	55	4 x 14	
09	60 70	240	95	210	18 20	64.4 74.9	350	250	18	300	4	60	4 x 17.5	
11	70 80	290	105	250	20 22	74.9 85.4	400 450	300 350	20 22	350 400	5	60	4 x 17.5 8 x 17.5	
14	100	350	135	305	28	106.4	450	350	22	400	5	60	8 x 17.5	

Dimensions in [mm] \* Observe dimension k<sub>2</sub>.  
**Not** suitable for through machine shaft at motor end:

GFL04-2M H□R 080-□□; d=30  
 GFL05-2M H□R 100-□□; d=35

# Shaft-mounted helical gearbox dimensions

Geared motors for Atex category 2G, 2D, 3G, 3D (zone 1, 21, 2, 22)



4

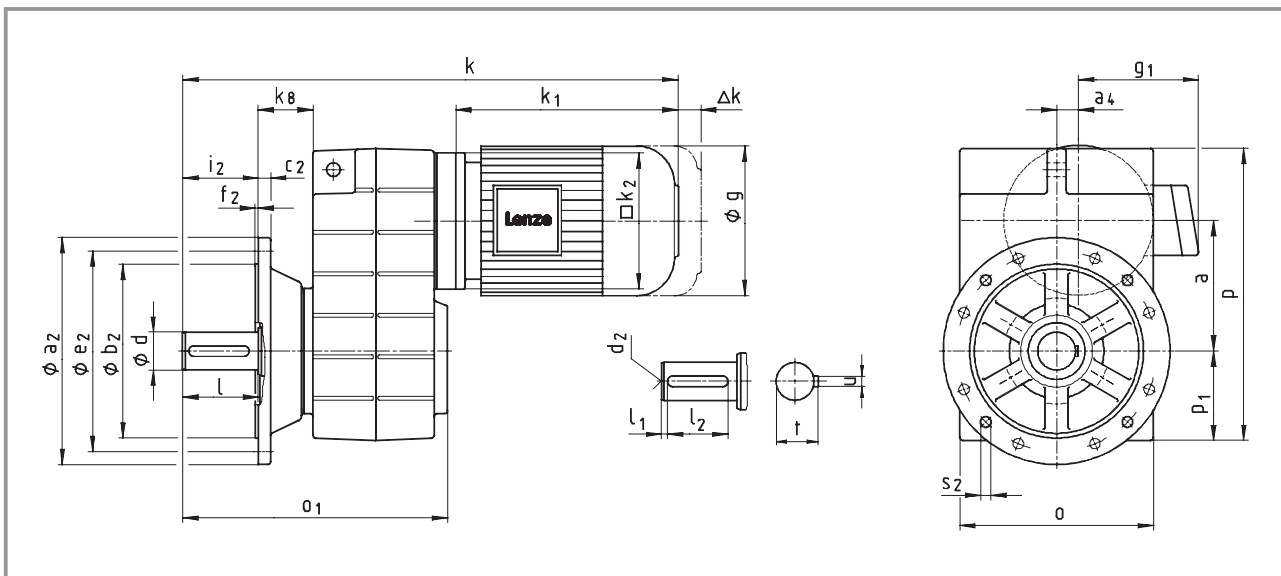
Geared motor							Motor frame size									
<b>GFL00-2M VDR</b>							063-12	063-32	071-12	071-32	080-12	080-32	090-12	100-12	100-32	112-22
Motor							g		g <sub>1</sub>		k <sub>1</sub>		k <sub>2</sub>			
							Without options									
							VAR		VCR							
Gearbox size	Gearbox						Overall length									
	o*	o <sub>1</sub>	p*	p <sub>1</sub>	a	a <sub>4</sub>	k									
04	148	163	214	69	90.5	12.5	344	356	356	362	380	400	432			
05	165	197	252	78	112.5	18.5	375	387	387	393	411	431	463	501	517	
06	206	236	315	98	140	22	408	420	420	426	444	464	496	534	550	576
07	256	296	386	118	173	29					497	517	549	587	603	629
09	318	356	486	149	220	37.5							603	641	657	683
11	395	445	600	181	276.5	50								722	738	764
14	490	544	740	228	339	65										849

Gearbox size	Solid shaft								Threaded pitch circle						Torque plate					
	d	l	d <sub>1</sub>	l <sub>1</sub>	l <sub>2</sub>	d <sub>2</sub>	u	t	a <sub>1</sub>	b <sub>1</sub> H7	e <sub>1</sub>	f <sub>1</sub>	i <sub>1</sub>	s <sub>1</sub>	a <sub>7</sub>	a <sub>8</sub>	c <sub>6</sub>	s <sub>6</sub>	k <sub>6</sub>	k <sub>7</sub>
04	25	50	45	4	40	M10	8	28	110	75	90	3	52.5	M6x12	22.5	128	14	12.5	32	35
05	30	60	50	6	45	M10	8	33	118	80	100	4	64	M8x15	29	155	16	14	35	38
06	40	80	65	7	63	M16	12	43	140	100	120	4	85	M10x16	35	195	20	14	46	46
07	50	100	75	8	80	M16	14	53.5	165	115	140	5	105	M12x18	44	240	25	18	56	56
09	60	120	95	8	100	M20	18	64	205	145	175	6	125	M16x24	50	300	32	22	70	70
11	80	160	105	15	125	M20	22	85	240	140	205	6	166	M20x32	65	375	40	26	84	90
14	100	200	135	18	160	M24	28	106	290	170	250	6	207	M24x35	80	455	50	32	100	114

Dimensions in [mm]    d ≤ 50 mm: k6    \* Observe dimension k<sub>2</sub>.  
 d > 50 mm: m6

# Shaft-mounted helical gearbox dimensions

Geared motors for Atex category 2G, 2D, 3G, 3D (zone 1, 21, 2, 22)



Geared motor								Motor frame size																			
<b>GFLOQ-2M VCK</b>								063-12	063-32	071-12	071-32	080-12	080-32	090-12 090-32	100-12	100-32	112-22										
Motor		<b>g</b>						129		142		156		176		194		233									
		<b>g<sub>1</sub></b> Without options						125		127		134		128		139		164									
		<b>k<sub>1</sub></b>						169		181		181		187		200		220		242		280		296		316	
		<b>k<sub>2</sub></b>						120		145		145		180		180		222									
Gearbox size	Gearbox							Overall length																			
	o*	o <sub>1</sub>	p*	p <sub>1</sub>	a	a <sub>s</sub>	k <sub>s</sub>	k																			
04	148	196	214	69	90.5	12.5	41	377	389	389	395	413	433	465													
05	165	230	252	78	112.5	18.5	46	408	420	420	426	444	464	496	534	550											
06	206	277	315	98	140	22	55	449	461	461	467	485	505	537	575	591	617										
07	256	351	386	118	173	29	72					552	572	604	642	658	684										
09	318	416	486	149	220	37.5	77							663	701	717	743										
11	395	505	600	181	276.5	50	85																				
14	490	604	740	228	339	65	89																				

Gearbox size	Solid shaft								Output flange						
	d	l	l <sub>1</sub>	l <sub>2</sub>	d <sub>2</sub>	u	t	a <sub>2</sub>	b <sub>2</sub> j7	c <sub>2</sub>	e <sub>2</sub>	f <sub>2</sub>	i <sub>2</sub>	s <sub>2</sub>	
04	25	50	4	40	M10	8	28	160	110	10	130	3.5	50	4 x 9	
05	30	60	6	45	M10	8	33	200	130	12	165	3.5	60	4 x 11	
06	40	80	7	63	M16	12	43	250	180	15	215	4	80	4 x 14	
07	50	100	8	80	M16	14	53.5	250 300	180 230	15 17	215 265	4	100	4 x 14	
09	60	120	8	100	M20	18	64	350	250	18	300	4	120	4 x 17.5	
11	80	160	15	125	M20	22	85	400 450	300 350	20 22	350 400	5	160	4 x 17.5 8 x 17.5	
14	100	200	18	160	M24	28	106	450	350	22	400	5	200	8 x 17.5	

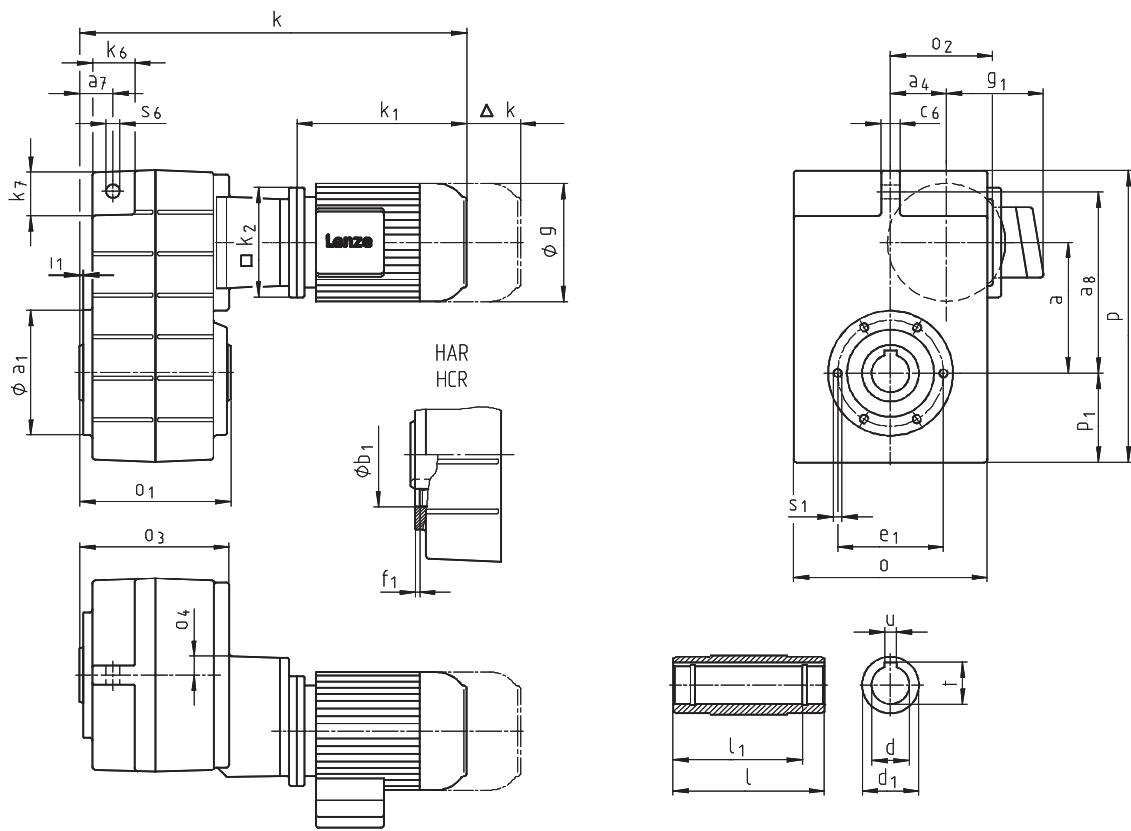
Dimensions in [mm] d ≤ 50 mm: k6  
d > 50 mm: m6

\* Observe dimension k<sub>2</sub>.

# Shaft-mounted helical gearbox dimensions

Geared motors for Atex category 2G, 2D, 3G, 3D (zone 1, 21, 2, 22)

## GFL□□-3M H□R



# Shaft-mounted helical gearbox dimensions

## Geared motors for Atex category 2G, 2D, 3G, 3D (zone 1, 21, 2, 22)



Geared motor		Motor frame size									
<b>GFLOQ-3M HOR</b>		063-12	063-32	071-12	071-32	080-12	080-32	090-12 090-32	100-12	100-32	112-22
Motor	<b>g</b>	129		142		156		176	194		233
	<b>g<sub>1</sub></b> Without options	125		127		134		128	139		164
	<b>k<sub>1</sub></b>	169	181	181	187	200	220	242	280	296	316
	<b>k<sub>2</sub></b>	120		145		145		180	180		222
Gearbox size		Overall length k									
<b>05</b>		392	404	404	410	428	448				
<b>06</b>		422	434	434	440	458	478	510			
<b>07</b>		466	478	478	484	502	522	554	592	608	
<b>09</b>		518	530	530	536	554	574	606	644	660	686
<b>11</b>						614	634	666	704	720	746
<b>14</b>								745	783	799	825

Gearbox size	Gearbox										Torque plate					
	<b>o*</b>	<b>o<sub>1</sub></b>	<b>o<sub>2</sub></b>	<b>o<sub>3</sub></b>	<b>o<sub>4</sub></b>	<b>p*</b>	<b>p<sub>1</sub></b>	<b>a</b>	<b>a<sub>4</sub></b>	<b>a<sub>7</sub></b>	<b>a<sub>8</sub></b>	<b>c<sub>6</sub></b>	<b>s<sub>6</sub></b>	<b>k<sub>6</sub></b>	<b>k<sub>7</sub></b>	
<b>05</b>	165	140	107	141	23	252	78	112.5	54.5	29	155	16	14	35	38	
<b>06</b>	206	160	111	160	20	315	98	140	58	35	195	20	14	46	46	
<b>07</b>	256	200	135	199	24	386	118	173	74	44	240	25	18	56	56	
<b>09</b>	318	240	170	238	27	486	149	220	93.5	50	300	32	22	70	70	
<b>11</b>	395	290	216	285	34	600	181	276.5	120	65	375	40	26	84	90	
<b>14</b>	490	350	271	340	38	740	228	339	154	80	455	50	32	100	114	

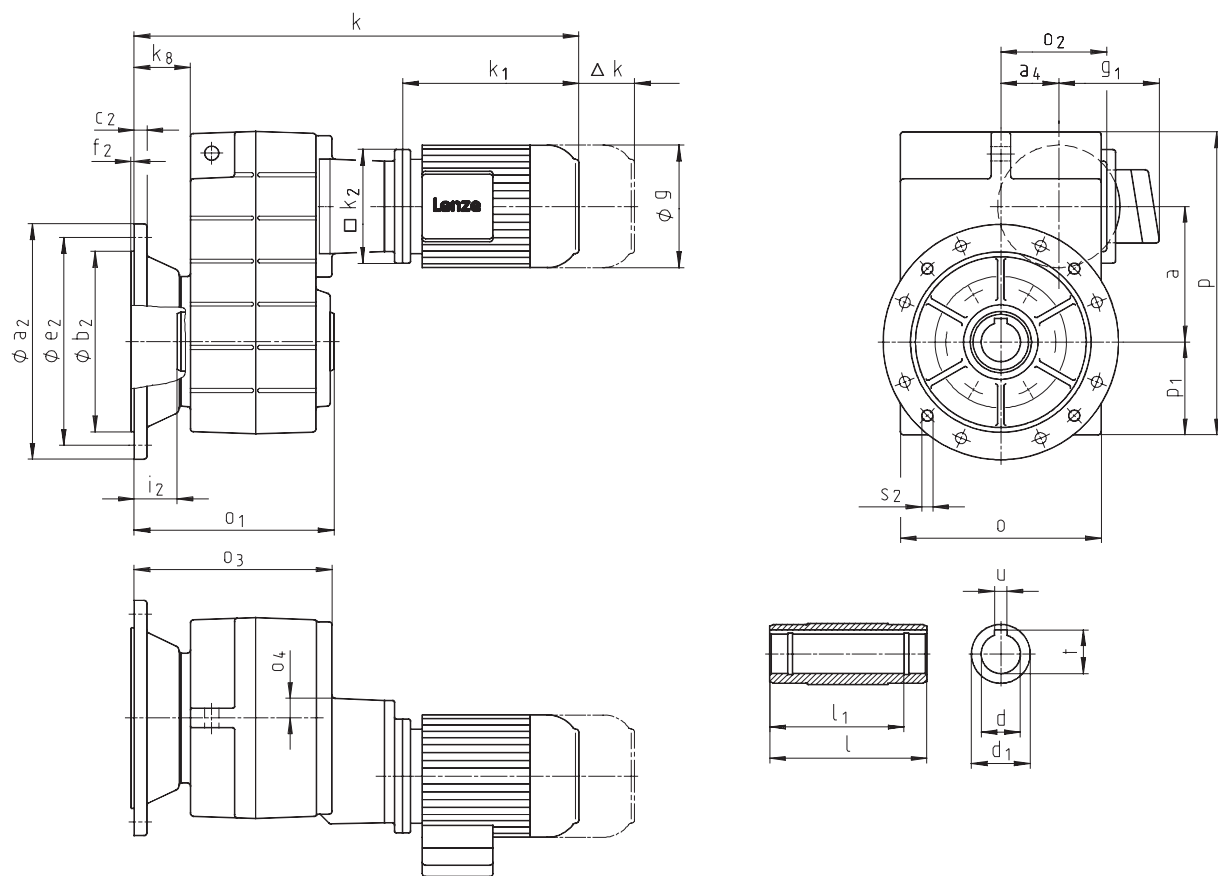
Gearbox size	Hollow shaft							Threaded pitch circle					
	<b>d</b> H7	<b>l</b>	<b>d<sub>1</sub></b>	<b>l<sub>1</sub></b>	<b>u</b> JS9	<b>t</b> +0.2	<b>a<sub>1</sub></b>	<b>b<sub>1</sub></b> H7	<b>e<sub>1</sub></b>	<b>f<sub>1</sub></b>	<b>i<sub>1</sub></b>	<b>s<sub>1</sub></b> 6 x 60°	
<b>05</b>	30 35	140	50	124	8 10	33.3 38.3	118	80	100	4	4	M8x15	
<b>06</b>	40 45	160	65	140	12 14	43.3 48.8	140	100	120	4	5	M10x16	
<b>07</b>	50 55	200	75	175	14 16	53.8 59.3	165	115	140	5	5	M12x18	
<b>09</b>	60 70	240	95	210	18 20	64.4 74.9	205	145	175	6	5	M16x24	
<b>11</b>	70 80	290	105	250	20 22	74.9 85.4	240	140	205	6	6	M20x32	
<b>14</b>	100	350	135	305	28	106.4	290	170	250	6	7	M24x35	

Dimensions in [mm]  
\* Observe dimension k<sub>2</sub>.

# Shaft-mounted helical gearbox dimensions

Geared motors for Atex category 2G, 2D, 3G, 3D (zone 1, 21, 2, 22)

## GFL□□-3M HCK





# Shaft-mounted helical gearbox dimensions

Geared motors for Atex category 2G, 2D, 3G, 3D (zone 1, 21, 2, 22)



Geared motor <b>GFL□□-3M HCK</b>		Motor frame size									
		063-12	063-32	071-12	071-32	080-12	080-32	090-12 090-32	100-12	100-32	112-22
Motor	<b>g</b>	129		142		156		176	194		233
	<b>g<sub>1</sub></b> Without options	125		127		134		128	139		164
	<b>k<sub>1</sub></b>	169	181	181	187	200	220	242	280	296	316
	<b>k<sub>2</sub></b>	120		145		145		180	180		222
Gearbox size		Overall length <b>k</b>									
<b>05</b>		425	437	437	443	461	481				
<b>06</b>		463	475	475	481	499	519	551			
<b>07</b>		521	533	533	539	557	577	609	647	663	
<b>09</b>		578	590	590	596	614	634	666	704	720	746
<b>11</b>						674	694	726	764	780	806
<b>14</b>								805	843	859	885

Gearbox size	Gearbox										
	<b>o*</b>	<b>o<sub>1</sub></b>	<b>o<sub>2</sub></b>	<b>o<sub>3</sub></b>	<b>o<sub>4</sub></b>	<b>p*</b>	<b>p<sub>1</sub></b>	<b>a</b>	<b>a<sub>4</sub></b>	<b>k<sub>8</sub></b>	
<b>05</b>	165	173	107	174	23	252	78	112.5	54.5	46	
<b>06</b>	206	201	111	201	20	315	98	140	58	55	
<b>07</b>	256	255	135	254	24	386	118	173	74	72	
<b>09</b>	318	300	170	298	27	486	149	220	93.5	77	
<b>11</b>	395	350	216	345	34	600	181	276.5	120	85	
<b>14</b>	490	410	271	400	38	740	228	339	154	89	

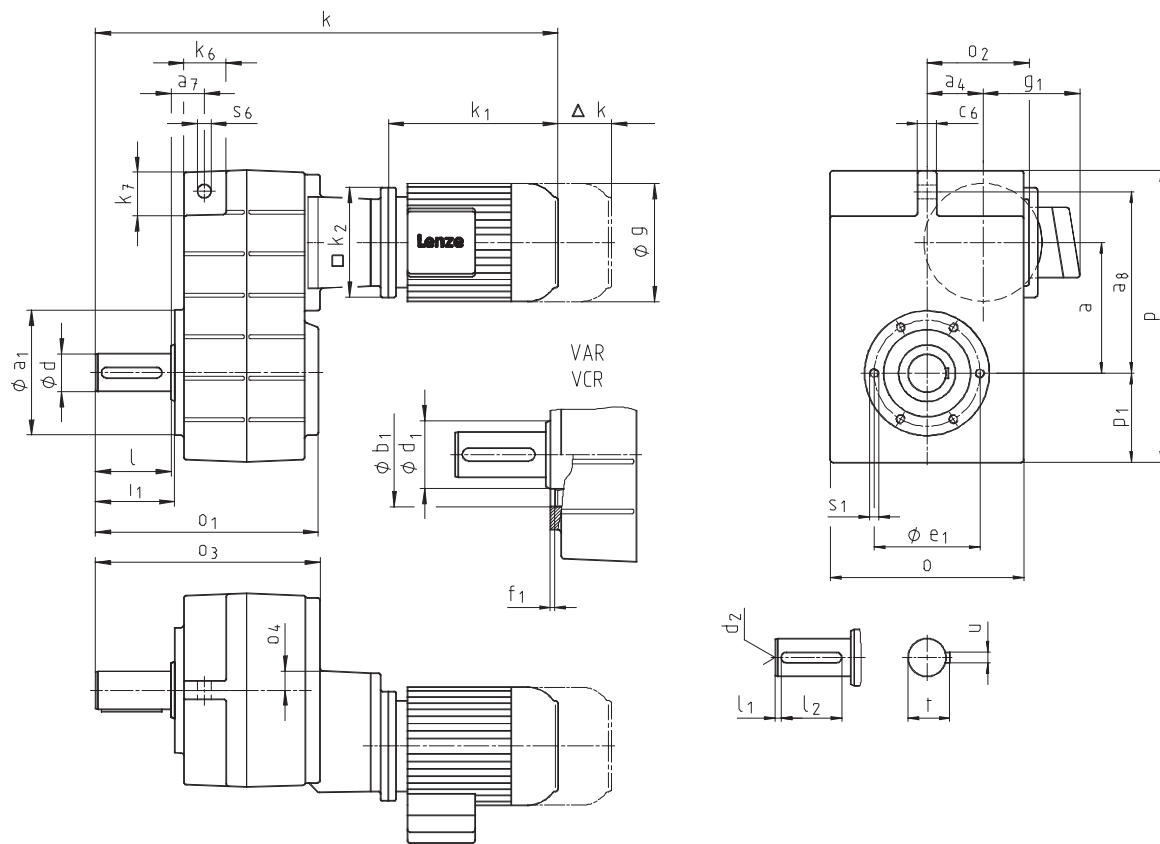
Gearbox size	Hollow shaft						Output flange						
	<b>d</b> H7	<b>l</b>	<b>d<sub>1</sub></b>	<b>l<sub>1</sub></b>	<b>u</b> JS9	<b>t</b> +0.2	<b>a<sub>2</sub></b>	<b>b<sub>2</sub></b> j7	<b>c<sub>2</sub></b>	<b>e<sub>2</sub></b>	<b>f<sub>2</sub></b>	<b>i<sub>2</sub></b>	<b>s<sub>2</sub></b>
<b>05</b>	30 35	140	50	124	8 10	33.3 38.3	200	130	12	165	3.5	33	4 x 11
<b>06</b>	40 45	160	65	140	12 14	43.3 48.8	200 250	130 180	12 15	165 215	3.5 4	42 41	4 x 11 4 x 14
<b>07</b>	50 55	200	75	175	14 16	53.8 59.3	250 300	180 230	15 17	215 265	4	55	4 x 14
<b>09</b>	60 70	240	95	210	18 20	64.4 74.9	350	250	18	300	4	60	4 x 17.5
<b>11</b>	70 80	290	105	250	20 22	74.9 85.4	400 450	300 350	20 22	350 400	5	60	4 x 17.5 8 x 17.5
<b>14</b>	100	350	135	305	28	106.4	450	350	22	400	5	60	8 x 17.5

Dimensions in [mm]  
\* Observe dimension k<sub>2</sub>.

# Shaft-mounted helical gearbox dimensions

Geared motors for Atex category 2G, 2D, 3G, 3D (zone 1, 21, 2, 22)

## GFL□□-3M V□R



# Shaft-mounted helical gearbox dimensions

Geared motors for Atex category 2G, 2D, 3G, 3D (zone 1, 21, 2, 22)



Geared motor <b>GFLO□-3M VDR</b>		Motor frame size									
		063-12	063-32	071-12	071-32	080-12	080-32	090-12 090-32	100-12	100-32	112-22
Motor	<b>g</b>	129		142		156		176	194		233
	<b>g<sub>1</sub></b> Without options	125		127		134		128	139		164
	<b>k<sub>1</sub></b>	169	181	181	187	200	220	242	280	296	316
	<b>k<sub>2</sub></b>	120		145		145		180	180		222
Gearbox size		Overall length <b>k</b>									
<b>05</b>		452	464	464	470	488	508				
<b>06</b>		502	514	514	520	538	558	590			
<b>07</b>		566	578	578	584	602	622	654	692	708	
<b>09</b>		638	650	650	656	674	694	726	764	780	806
<b>11</b>						774	794	826	864	880	906
<b>14</b>								945	983	999	1025

Gearbox size	Gearbox										Torque plate					
	<b>o*</b>	<b>o<sub>1</sub></b>	<b>o<sub>2</sub></b>	<b>o<sub>3</sub></b>	<b>o<sub>4</sub></b>	<b>p*</b>	<b>p<sub>1</sub></b>	<b>a</b>	<b>a<sub>4</sub></b>	<b>a<sub>7</sub></b>	<b>a<sub>8</sub></b>	<b>c<sub>6</sub></b>	<b>s<sub>6</sub></b>	<b>k<sub>6</sub></b>	<b>k<sub>7</sub></b>	
<b>05</b>	165	197	107	201	23	252	78	112.5	54.5	29	155	16	14	35	38	
<b>06</b>	206	236	111	240	20	315	98	140	58	35	195	20	14	46	46	
<b>07</b>	256	296	135	299	24	386	118	173	74	44	240	25	18	56	56	
<b>09</b>	318	356	170	358	27	486	149	220	93.5	50	300	32	22	70	70	
<b>11</b>	395	445	216	445	34	600	181	276.5	120	65	375	40	26	84	90	
<b>14</b>	490	544	271	540	38	740	228	339	154	80	455	50	32	100	114	

Gearbox size	Solid shaft									Threaded pitch circle					
	<b>d</b>	<b>l</b>	<b>d<sub>1</sub></b>	<b>l<sub>1</sub></b>	<b>l<sub>2</sub></b>	<b>d<sub>2</sub></b>	<b>u</b>	<b>t</b>	<b>a<sub>1</sub></b>	<b>b<sub>1</sub></b> h7	<b>e<sub>1</sub></b>	<b>f<sub>1</sub></b>	<b>i<sub>1</sub></b>	<b>s<sub>1</sub></b> 6 x 60°	
<b>05</b>	30	60	50	6	45	M10	8	33	118	80	100	4	64	M8x15	
<b>06</b>	40	80	65	7	63	M16	12	43	140	100	120	4	85	M10x16	
<b>07</b>	50	100	75	8	80	M16	14	53.5	165	115	140	5	105	M12x18	
<b>09</b>	60	120	95	8	100	M20	18	64	205	145	175	6	125	M16x24	
<b>11</b>	80	160	105	15	125	M20	22	85	240	140	205	6	166	M20x32	
<b>14</b>	100	200	135	18	160	M24	28	106	290	170	250	6	207	M24x35	

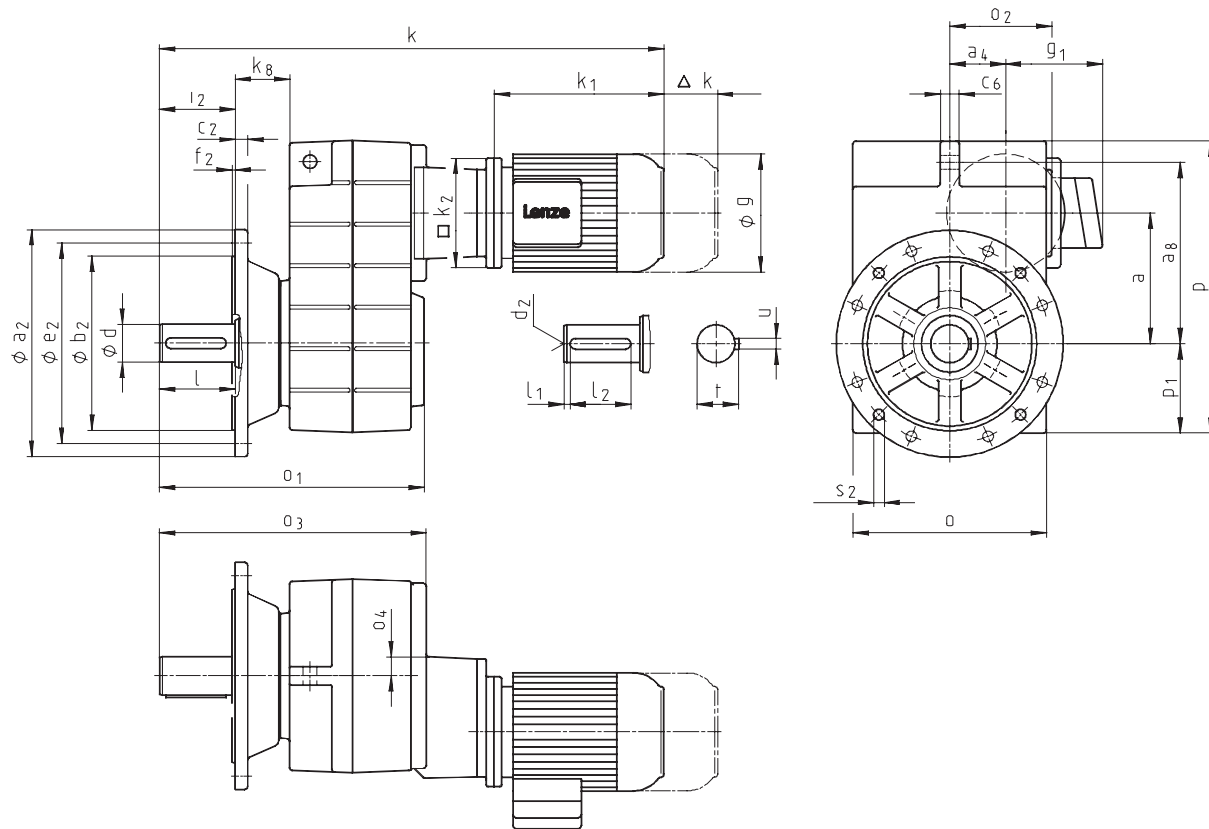
Dimensions in [mm] d ≤ 50 mm: k6  
d > 50 mm: m6

\* Observe dimension k<sub>2</sub>.

# Shaft-mounted helical gearbox dimensions

Geared motors for Atex category 2G, 2D, 3G, 3D (zone 1, 21, 2, 22)

## GFL□□-3M VCK



# Shaft-mounted helical gearbox dimensions

Geared motors for Atex category 2G, 2D, 3G, 3D (zone 1, 21, 2, 22)



Geared motor <b>GFL□□-3M VCK</b>		Motor frame size									
		063-12	063-32	071-12	071-32	080-12	080-32	090-12 090-32	100-12	100-32	112-22
Motor	<b>g</b>	129		142		156		176	194		233
	<b>g<sub>1</sub></b> Without options	125		127		134		128	139		164
	<b>k<sub>1</sub></b>	169	181	181	187	200	220	242	280	296	316
	<b>k<sub>2</sub></b>	120		145		145		180	180		222
Gearbox size		Overall length <b>k</b>									
<b>05</b>		485	497	497	503	521	541				
<b>06</b>		543	555	555	561	579	599	631			
<b>07</b>		621	633	633	639	657	677	709	747	763	
<b>09</b>		698	710	710	716	734	754	786	824	840	866
<b>11</b>						834	854	886	924	940	966
<b>14</b>								1005	1043	1059	1085

Gearbox size	Gearbox									
	<b>o*</b>	<b>o<sub>1</sub></b>	<b>o<sub>2</sub></b>	<b>o<sub>3</sub></b>	<b>o<sub>4</sub></b>	<b>p*</b>	<b>p<sub>1</sub></b>	<b>a</b>	<b>a<sub>4</sub></b>	<b>k<sub>8</sub></b>
<b>05</b>	165	230	107	234	23	252	78	112.5	54.5	46
<b>06</b>	206	277	111	281	20	315	98	140	58	55
<b>07</b>	256	351	135	354	24	386	118	173	74	72
<b>09</b>	318	416	170	418	27	486	149	220	93.5	77
<b>11</b>	395	505	216	505	34	600	181	276.5	120	85
<b>14</b>	490	604	271	600	38	740	228	339	154	89

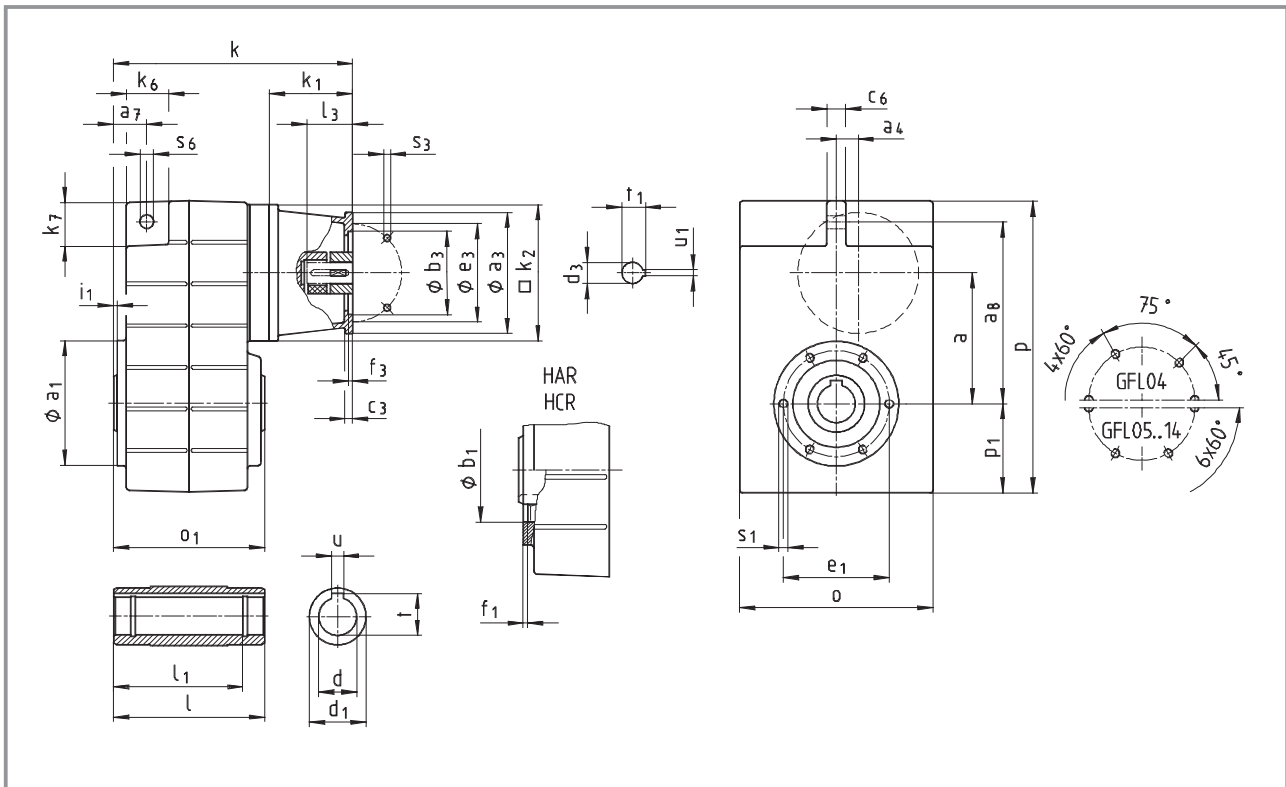
Gearbox size	Solid shaft							Output flange						
	<b>d</b>	<b>l</b>	<b>l<sub>1</sub></b>	<b>l<sub>2</sub></b>	<b>d<sub>2</sub></b>	<b>u</b>	<b>t</b>	<b>a<sub>2</sub></b>	<b>b<sub>2</sub> j7</b>	<b>c<sub>2</sub></b>	<b>e<sub>2</sub></b>	<b>f<sub>2</sub></b>	<b>i<sub>2</sub></b>	<b>s<sub>2</sub></b>
<b>05</b>	30	60	6	45	M10	8	33	200	130	12	165	3.5	60	4 x 11
<b>06</b>	40	80	7	63	M16	12	43	250	180	15	215	4	80	4 x 14
<b>07</b>	50	100	8	80	M16	14	53.5	250 300	180 230	15 17	215 265	4	100	4 x 14
<b>09</b>	60	120	8	100	M20	18	64	350	250	18	300	4	120	4 x 17.5
<b>11</b>	80	160	15	125	M20	22	85	400 450	300 350	20 22	350 400	5	160	4 x 17.5 8 x 17.5
<b>14</b>	100	200	18	160	M24	28	106	450	350	22	400	5	200	8 x 17.5

Dimensions in [mm] d ≤ 50 mm: k6  
d > 50 mm: m6

\* Observe dimension k<sub>2</sub>.

# Shaft-mounted helical gearbox dimensions

Gearboxes with mounting flange for Atex category 2GD, 3GD (zone 1, 21, 2, 22)



4

Gearbox <b>GFL00-2N HCR</b>		Drive size													
		1A	1B	2B	1C	2C	3C	4C	6C	7C	1D	2D			
		Corresponds to IEC motor													
		63	71	63	80	71	71	71	63	80	90	80			
Housing	k <sub>1</sub>	75	77	75	91						115				
	k <sub>2</sub>	120	145	120	145						180				
Flange	a <sub>3</sub>	90	105	90	160	160	105	120	160	120	160				
	b <sub>3</sub> H8	60	70	60	110	110	70	80	110	80	110				
	c <sub>3</sub>	7	8	7	10	10	8	8	10	8	10				
	e <sub>3</sub>	75	85	75	130	130	85	100	130	100	130				
	f <sub>3</sub>	3	3	4	4	3	3.5	4	3.5	4					
	s <sub>3</sub> 4 x	5.5	6.6	5.5	9	9	6.6	6.6	9	6.6	9				
Required motor shafts	d <sub>3</sub>	11	14	11	19	14	14	14	11	19	24	19			
	l <sub>3</sub>	min	23	30	23	25						23	25	50	40
		max.	23	30	23	40						40	40	50	50
	U <sub>1</sub>	4	5	4	6	5	5	5	4	6	8	6			
	t <sub>1</sub>	12.5	16	12.5	21.5	16	16	16	12.5	21.5	27	21.5			
Gearbox size	Overall length k														
	04	200	207	200	221										
05		228		242						276					
06		241		255						289					
07				288						322					
09										356					

# Shaft-mounted helical gearbox dimensions

Gearboxes with mounting flange for Atex category 2GD, 3GD (zone 1, 21, 2, 22)



Gearbox <b>GFLO0-2N HDR</b>		Drive size														
		1E	2E	3E	4E	1F	2F	3F	1G	2G	3G	1H	2H	3H	1K	2K
		Corresponds to IEC motor														
		100 112	90	80	90	100 112	90	90	132	100 112	132	160	180	132	200	225
Housing	k <sub>1</sub>	110			130	139		159	180	160	180	214	214	184	244	274
	k <sub>2</sub>	180			180	180		180	265			300			300	
Flange	a <sub>3</sub>	160			188	160		188	300	250	250	350	350	300	400	450
	b <sub>3</sub> H8	110			130	110		130	230	180	180	250	250	230	300	350
	c <sub>3</sub>	10			20	10		20	18	18	35	20	20	18	20	
	e <sub>3</sub>	130			165	130		165	265	215	215	300	300	265	350	400
	f <sub>3</sub>	4			4	4		4	4.5			6	6	4.5	6	
	s <sub>3</sub> 4 x 8 x	9			M10	9		M10	13.5			17.5	17.5	13.5	17.5	17.5
Required motor shafts	d <sub>3</sub>	28	24	19	24	28	24	24	38	28	38	42	48	38	55	60
	l <sub>3</sub> min	30			50	30		50	80	60	80	110	110	80	110	140
	l <sub>3</sub> max.	60			50	60		50	80	60	80	110	110	80	110	140
	U <sub>1</sub>	8	8	6	8	8	8	8	10	8	10	12	14	10	16	18
t <sub>1</sub>	31	27	21.5	27	31	27	27	41	31	41	45	51.5	41	59	64	
Gearbox size	Overall length k															
05	271			291												
06	284			304	313	333										
07	317			337	346	366		401	381	401	440		410			
09	351			371	380	400		435	415	435	474	474	444	504		
11	392			412	421	441		476	456	476	515	515	485	545	575	
14								521	501	521	560	560	530	590	620	

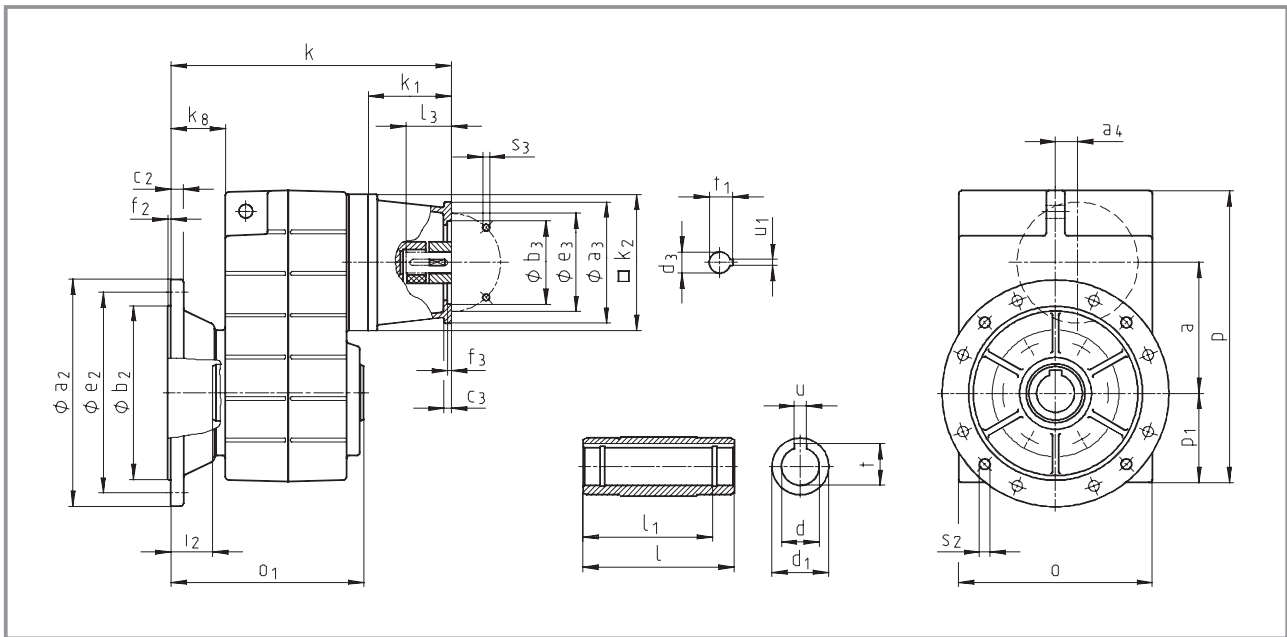
Gearbox size	Gearbox						Torque plate					
	o*	o <sub>1</sub>	p*	p <sub>1</sub>	a	a <sub>4</sub>	a <sub>7</sub>	a <sub>8</sub>	c <sub>6</sub>	s <sub>6</sub>	k <sub>6</sub>	k <sub>7</sub>
04	148	115	214	69	90.5	12.5	22.5	128	14	12.5	32	35
05	165	140	252	78	112.5	18.5	29	155	16	14	35	38
06	206	160	315	98	140	22	35	195	20	14	46	46
07	256	200	386	118	173	29	44	240	25	18	56	56
09	318	240	486	149	220	37.5	50	300	32	22	70	70
11	395	290	600	181	276.5	50	65	375	40	26	84	90
14	490	350	740	228	339	65	80	455	50	32	100	114

Gearbox size	Hollow shaft						Threaded pitch circle					
	d H7	l	d <sub>1</sub>	l <sub>1</sub>	u JS9	t +0.2	a <sub>1</sub>	b <sub>1</sub> H7	e <sub>1</sub>	f <sub>1</sub>	i <sub>1</sub>	s <sub>1</sub>
04	25 30	115	40	100	8 8	28.3 33.3	110	75	90	3	2.5	M6x12
05	30 35	140	50	124	8 10	33.3 38.3	118	80	100	4	4	M8x15
06	40 45	160	65	140	12 14	43.3 48.8	140	100	120	4	5	M10x16
07	50 55	200	75	175	14 16	53.8 59.3	165	115	140	5	5	M12x18
09	60 70	240	95	210	18 20	64.4 74.9	205	145	175	6	5	M16x24
11	70 80	290	105	250	20 22	74.9 85.4	240	140	205	6	6	M20x32
14	100	350	135	305	28	106.4	290	170	250	6	7	M24x35

Dimensions in [mm] \* Observe dimension k<sub>2</sub>.

# Shaft-mounted helical gearbox dimensions

Gearboxes with mounting flange for Atex category 2GD, 3GD (zone 1, 21, 2, 22)



4

Gearbox <b>GFL00-2N HCK</b>		Drive size											
		1A	1B	2B	1C	2C	3C	4C	6C	7C	1D	2D	
		Corresponds to IEC motor											
		63	71	63	80	71	71	71	63	80	90	80	
Housing	k <sub>1</sub>	75	77	75	91						115		
	k <sub>2</sub>	120	145	120	145						180		
Flange	a <sub>3</sub>	90	105	90	160	160	105	120	160	120	160		
	b <sub>3</sub> H8	60	70	60	110	110	70	80	110	80	110		
	c <sub>3</sub>	7	8	7	10	10	8	8	10	8	10		
	e <sub>3</sub>	75	85	75	130	130	85	100	130	100	130		
	f <sub>3</sub>	3	3		4	4	3	3.5	4	3.5	4		
	s <sub>3</sub> 4 x	5.5	6.6	5.5	9	9	6.6	6.6	9	6.6	9		
Required motor shafts	d <sub>3</sub>	11	14	11	19	14	14	14	11	19	24	19	
	l <sub>3</sub>	min	23	30	23	25			23	25	50	40	
		max.	23	30	23	40			40	40	50	50	
	U <sub>1</sub>	4	5	4	6	5	5	5	4	6	8	6	
t <sub>1</sub>	12.5	16	12.5	21.5	16	16	16	12.5	21.5	27	21.5		
Gearbox size	Overall length k												
	04	233	240	233	254								
	05		261		275						309		
	06		282		296						330		
	07				343						377		
	09										416		



# Shaft-mounted helical gearbox dimensions

Gearboxes with mounting flange for Atex category 2GD, 3GD (zone 1, 21, 2, 22)



Gearbox <b>GFLOQ-2N HCK</b>		Drive size														
		1E	2E	3E	4E	1F	2F	3F	1G	2G	3G	1H	2H	3H	1K	2K
		Corresponds to IEC motor														
		100 112	90	80	90	100 112	90	90	132	100 112	132	160	180	132	200	225
Housing	k <sub>1</sub>	110			130	139		159	180	160	180	214	214	184	244	274
	k <sub>2</sub>	180			180	180		180	265			300			300	
Flange	a <sub>3</sub>	160			188	160		188	300	250	250	350	350	300	400	450
	b <sub>3</sub> H8	110			130	110		130	230	180	180	250	250	230	300	350
	c <sub>3</sub>	10			20	10		20	18	18	35	20	20	18	20	
	e <sub>3</sub>	130			165	130		165	265	215	215	300	300	265	350	400
	f <sub>3</sub>	4			4	4		4	4.5			6	6	4.5	6	
	s <sub>3</sub> 4 x 8 x	9			M10	9		M10	13.5			17.5	17.5	13.5	17.5	17.5
Required motor shafts	d <sub>3</sub>	28	24	19	24	28	24	24	38	28	38	42	48	38	55	60
	l <sub>3</sub> min	30			50	30		50	80	60	80	110	110	80	110	140
	l <sub>3</sub> max.	60			50	60		50	80	60	80	110	110	80	110	140
	U <sub>1</sub>	8	8	6	8	8	8	8	10	8	10	12	14	10	16	18
t <sub>1</sub>	31	27	21.5	27	31	27	27	41	31	41	45	51.5	41	59	64	
Gearbox size	Overall length k															
	05	304			324											
	06	325			345	354		374								
	07	372			392	401		421	456	436	456	495		465		
	09	411			431	440		460	495	475	495	534	534	504	564	
	11	452			472	481		501	536	516	536	575	575	545	605	635
	14								581	561	581	620	620	590	650	680

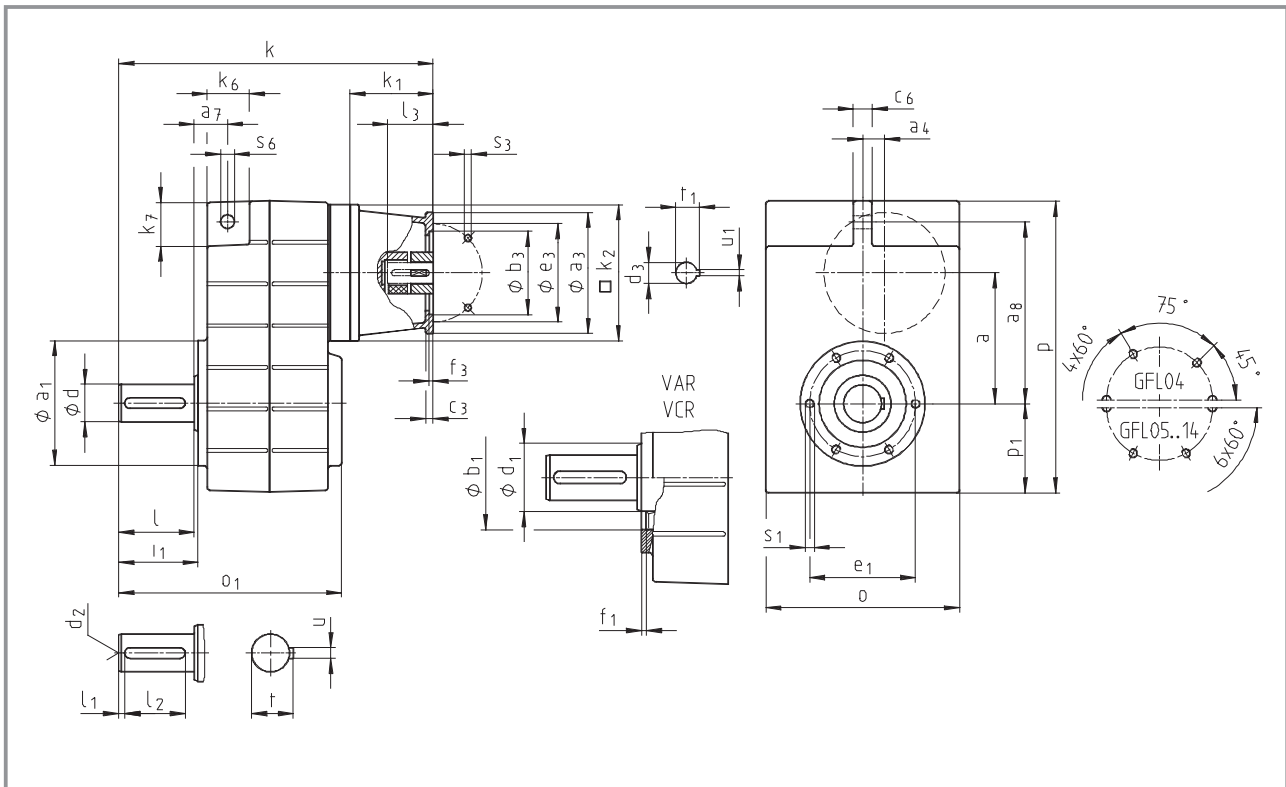
Gearbox size	Gearbox						
	o*	o <sub>1</sub>	p*	p <sub>1</sub>	a	a <sub>4</sub>	k <sub>g</sub>
04	148	148	214	69	90.5	12.5	41
05	165	173	252	78	112.5	18.5	46
06	206	201	315	98	140	22	55
07	256	255	386	118	173	29	72
09	318	300	486	149	220	37.5	77
11	395	350	600	181	276.5	50	85
14	490	410	740	228	339	65	89

Gearbox size	Hollow shaft						Output flange						
	d H7	l	d <sub>1</sub>	l <sub>1</sub>	u JS9	t +0.2	a <sub>2</sub>	b <sub>2</sub> j7	c <sub>2</sub>	e <sub>2</sub>	f <sub>2</sub>	i <sub>2</sub>	s <sub>2</sub>
04	25 30	115	45	100	8 8	28.3 33.3	160	110	10	130	3.5	33	4 x 9
05	30 35	140	50	124	8 10	33.3 38.3	200	130	12	165	3.5	33	4 x 11
06	40 45	160	65	140	12 14	43.3 48.8	200 250	130 180	12 15	165 215	3.5 4	42 41	4 x 11 4 x 14
07	50 55	200	75	175	14 16	53.8 59.3	250 300	180 230	15 17	215 265	4	55	4 x 14
09	60 70	240	95	210	18 20	64.4 74.9	350	250	18	300	4	60	4 x 17.5
11	70 80	290	105	250	20 22	74.9 85.4	400 450	300 350	20 22	350 400	5	60	4 x 17.5 8 x 17.5
14	100	350	135	305	28	106.4	450	350	22	400	5	60	8 x 17.5

Dimensions in [mm] \* Observe dimension k<sub>2</sub>.

# Shaft-mounted helical gearbox dimensions

Gearboxes with mounting flange for Atex category 2GD, 3GD (zone 1, 21, 2, 22)



4

Gearbox <b>GFL00-2N VOR</b>		Drive size													
		1A	1B	2B	1C	2C	3C	4C	6C	7C	1D	2D			
		Corresponds to IEC motor													
		63	71	63	80	71	71	71	63	80	90	80			
Housing	k <sub>1</sub>	75	77	75	91						115				
	k <sub>2</sub>	120	145	120	145						180				
Flange	a <sub>3</sub>	90	105	90	160	160	105	120	160	120	160				
	b <sub>3</sub> H8	60	70	60	110	110	70	80	110	80	110				
	c <sub>3</sub>	7	8	7	10	10	8	8	10	8	10				
	e <sub>3</sub>	75	85	75	130	130	85	100	130	100	130				
	f <sub>3</sub>	3	3		4	4	3	3.5	4	3.5	4				
	s <sub>3</sub> 4 x	5.5	6.6	5.5	9	9	6.6	6.6	9	6.6	9				
Required motor shafts	d <sub>3</sub>	11	14	11	19	14	14	14	11	19	24	19			
	l <sub>3</sub>	min	23	30	23	25						23	25	50	40
		max.	23	30	23	40						40	40	50	50
	U <sub>1</sub>	4	5	4	6	5	5	5	4	6	8	6			
	t <sub>1</sub>	12.5	16	12.5	21.5	16	16	16	12.5	21.5	27	21.5			
Gearbox size	Overall length k														
	04	250	257	250	271						305				
	05		288		302						336				
	06		321		335						369				
	07				388						422				
	09										476				

# Shaft-mounted helical gearbox dimensions

Gearboxes with mounting flange for Atex category 2GD, 3GD (zone 1, 21, 2, 22)



Gearbox <b>GFLO0-2N V0R</b>		Drive size																							
		1E	2E	3E	4E	1F	2F	3F	1G	2G	3G	1H	2H	3H	1K	2K									
		Corresponds to IEC motor																							
		100 112	90	80	90	100 112	90	90	132	100 112	132	160	180	132	200	225									
Housing	k <sub>1</sub>	110		130		139		159		180		160		180		214		214		184		244		274	
	k <sub>2</sub>	180		180		180		180		265		300		300		300		300		300		300		300	
Flange	a <sub>3</sub>	160		188		160		188		300		250		250		350		350		300		400		450	
	b <sub>3</sub> H8	110		130		110		130		230		180		180		250		250		230		300		350	
	c <sub>3</sub>	10		20		10		20		18		18		35		20		20		18		20		20	
	e <sub>3</sub>	130		165		130		165		265		215		215		300		300		265		350		400	
	f <sub>3</sub>	4		4		4		4		4.5		6		6		4.5		6		6		6		6	
	s <sub>3</sub> 4 x 8 x	9		M10		9		M10		13.5		17.5		17.5		13.5		17.5		17.5		17.5		17.5	
Required motor shafts	d <sub>3</sub>	28	24	19	24	28	24	24	38	28	38	42	48	38	55	60									
	l <sub>3</sub> min max.	30		50		30		50		80		60		80		110		110		80		110		140	
		60		50		60		50		80		60		80		110		110		80		110		140	
	U <sub>1</sub>	8	8	6	8	8	8	8	10	8	10	12	14	10	16	18									
t <sub>1</sub>	31	27	21.5	27	31	27	27	41	31	41	45	51.5	41	59	64										
Gearbox size	Overall length k																								
	05	331		351																					
06	364		384		393		413																		
07	417		437		446		466		501		481		501		540		510								
09	471		491		500		520		555		535		555		594		594		564		624				
11	552		572		581		601		636		616		636		675		675		645		705		735		
14									721		701		721		760		760		730		790		820		

Gearbox size	Gearbox						Torque plate					
	o*	o <sub>1</sub>	p*	p <sub>1</sub>	a	a <sub>4</sub>	a <sub>7</sub>	a <sub>8</sub>	c <sub>6</sub>	s <sub>6</sub>	k <sub>6</sub>	k <sub>7</sub>
04	148	163	214	69	90.5	12.5	22.5	128	14	12.5	32	35
05	165	197	252	78	112.5	18.5	29	155	16	14	35	38
06	206	236	315	98	140	22	35	195	20	14	46	46
07	256	296	386	118	173	29	44	240	25	18	56	56
09	318	356	486	149	220	37.5	50	300	32	22	70	70
11	395	445	600	181	276.5	50	65	375	40	26	84	90
14	490	544	740	228	339	65	80	455	50	32	100	114

Gearbox size	Solid shaft								Threaded pitch circle					
	d	l	d <sub>1</sub>	l <sub>1</sub>	l <sub>2</sub>	d <sub>2</sub>	u	t	a <sub>1</sub>	b <sub>1</sub> H7	e <sub>1</sub>	f <sub>1</sub>	i <sub>1</sub>	s <sub>1</sub>
04	25	50	45	4	40	M10	8	28	110	75	90	3	52.5	M6x12
05	30	60	50	6	45	M10	8	33	118	80	100	4	64	M8x15
06	40	80	65	7	63	M16	12	43	140	100	120	4	85	M10x16
07	50	100	75	8	80	M16	14	53.5	165	115	140	5	105	M12x18
09	60	120	95	8	100	M20	18	64	205	145	175	6	125	M16x24
11	80	160	105	15	125	M20	22	85	240	140	205	6	166	M20x32
14	100	200	135	18	160	M24	28	106	290	170	250	6	207	M24x35

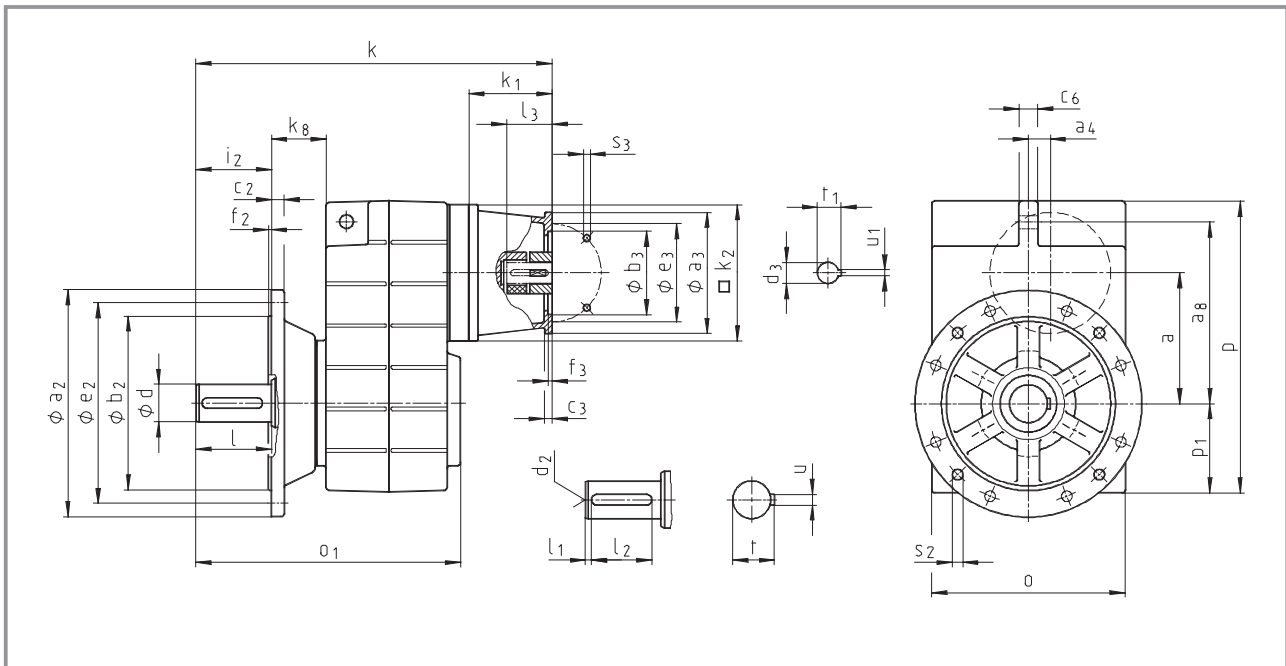
Dimensions in [mm]

\* Observe dimension k<sub>2</sub>.

d ≤ 50 mm: k6  
d > 50 mm: m6

# Shaft-mounted helical gearbox dimensions

Gearboxes with mounting flange for Atex category 2GD, 3GD (zone 1, 21, 2, 22)



4

Gearbox <b>GFL□□-2N VCK</b>		Drive size										
		1A	1B	2B	1C	2C	3C	4C	6C	7C	1D	2D
		Corresponds to IEC motor										
		63	71	63	80	71	71	71	63	80	90	80
Housing	k <sub>1</sub>	75	77	75	91						115	
	k <sub>2</sub>	120	145	120	145						180	
Flange	a <sub>3</sub>	90	105	90	160	160	105	120	160	120	160	
	b <sub>3</sub> H8	60	70	60	110	110	70	80	110	80	110	
	c <sub>3</sub>	7	8	7	10	10	8	8	10	8	10	
	e <sub>3</sub>	75	85	75	130	130	85	100	130	100	130	
	f <sub>3</sub>	3	3	3	4	4	3	3.5	4	3.5	4	
	s <sub>3</sub> 4 x	5.5	6.6	5.5	9	9	6.6	6.6	9	6.6	9	
Required motor shafts	d <sub>3</sub>	11	14	11	19	14	14	14	11	19	24	19
	l <sub>3</sub>	min	23	30	23	25			23	25	50	40
		max.	23	30	23	40			40	40	50	50
	U <sub>1</sub>	4	5	4	6	5	5	5	4	6	8	6
	t <sub>1</sub>	12.5	16	12.5	21.5	16	16	16	12.5	21.5	27	21.5
Gearbox size	Overall length k											
	04	283	290	283	304						338	
	05		321		335						369	
	06		362		376						410	
	07				443						477	
	09										536	

# Shaft-mounted helical gearbox dimensions

Gearboxes with mounting flange for Atex category 2GD, 3GD (zone 1, 21, 2, 22)



Gearbox <b>GFL00-2N VCK</b>		Drive size														
		1E	2E	3E	4E	1F	2F	3F	1G	2G	3G	1H	2H	3H	1K	2K
		Corresponds to IEC motor														
		100 112	90	80	90	100 112	90	90	132	100 112	132	160	180	132	200	225
Housing	k <sub>1</sub>	110			130	139		159	180	160	180	214	214	184	244	274
	k <sub>2</sub>	180			180	180		180	265			300			300	
Flange	a <sub>3</sub>	160			188	160		188	300	250	250	350	350	300	400	450
	b <sub>3</sub> H8	110			130	110		130	230	180	180	250	250	230	300	350
	c <sub>3</sub>	10			20	10		20	18	18	35	20	20	18	20	
	e <sub>3</sub>	130			165	130		165	265	215	215	300	300	265	350	400
	f <sub>3</sub>	4			4	4		4	4.5			6	6	4.5	6	
	s <sub>3</sub> 4 x 8 x	9			M10	9		M10	13.5			17.5	17.5	13.5	17.5	17.5
Required motor shafts	d <sub>3</sub>	28	24	19	24	28	24	24	38	28	38	42	48	38	55	60
	l <sub>3</sub> min	30			50	30		50	80	60	80	110	110	80	110	140
	l <sub>3</sub> max.	60			50	60		50	80	60	80	110	110	80	110	140
	U <sub>1</sub>	8	8	6	8	8	8	8	10	8	10	12	14	10	16	18
t <sub>1</sub>	31	27	21.5	27	31	27	27	41	31	41	45	51.5	41	59	64	
Gearbox size	Overall length k															
	05	364			384											
	06	405			425	434		454								
	07	472			492	501		521	556	536	556	595		565		
	09	531			551	560		580	615	595	615	654	654	624	684	
	11	612			632	641		661	696	676	696	735	735	705	765	795
	14								781	761	781	820	820	790	850	880

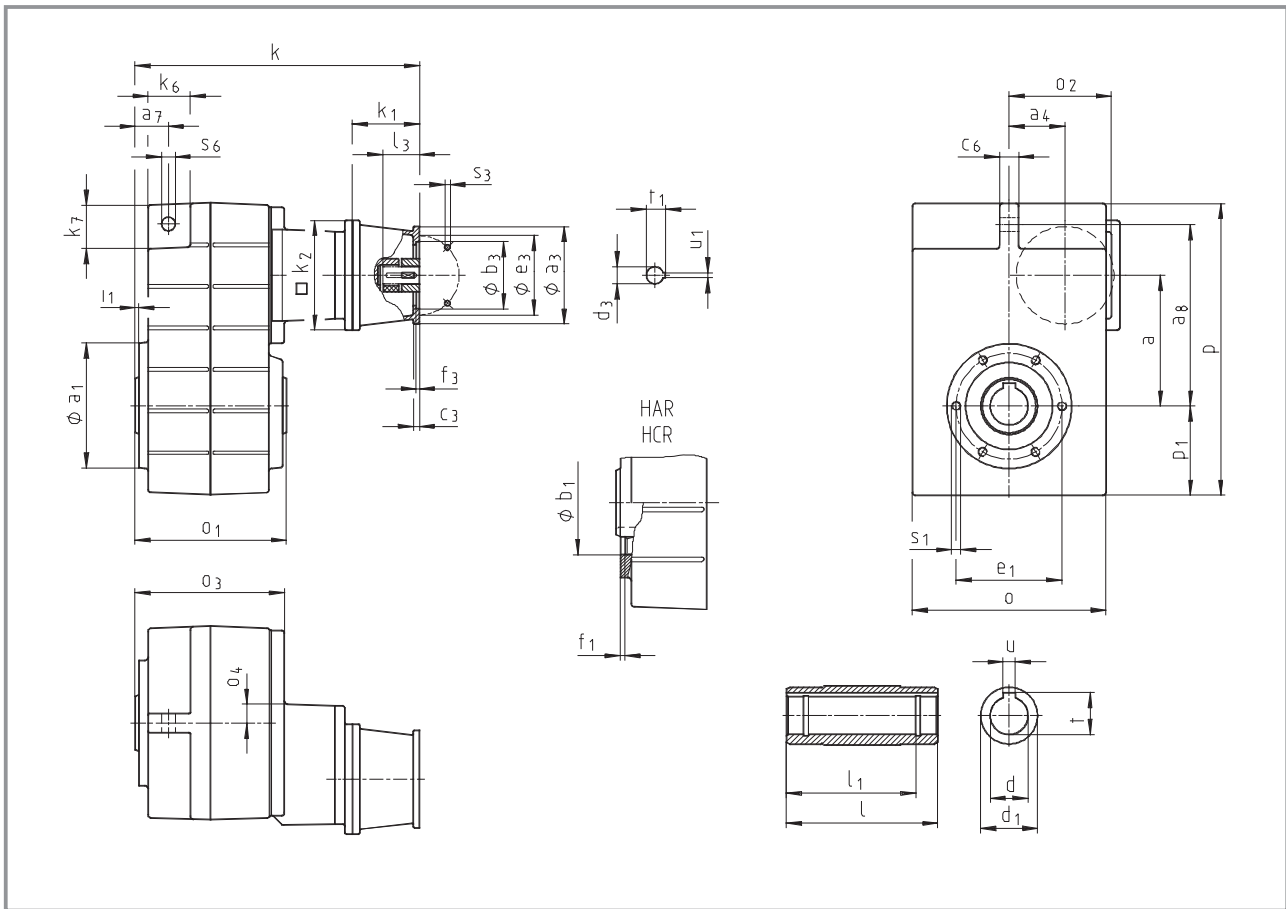
Gearbox size	Gearbox						
	o*	o <sub>1</sub>	p*	p <sub>1</sub>	a	a <sub>4</sub>	k <sub>g</sub>
04	148	196	214	69	90.5	12.5	41
05	165	230	252	78	112.5	18.5	46
06	206	277	315	98	140	22	55
07	256	351	386	118	173	29	72
09	318	416	486	149	220	37.5	77
11	395	505	600	181	276.5	50	85
14	490	604	740	228	339	65	89

Gearbox size	Solid shaft							Output flange						
	d	l	l <sub>1</sub>	l <sub>2</sub>	d <sub>2</sub>	u	t	a <sub>2</sub>	b <sub>2</sub> j7	c <sub>2</sub>	e <sub>2</sub>	f <sub>2</sub>	i <sub>2</sub>	s <sub>2</sub>
04	25	50	4	40	M10	8	28	160	110	10	130	3.5	50	4 x 9
05	30	60	6	45	M10	8	33	200	130	12	165	3.5	60	4 x 11
06	40	80	7	63	M16	12	43	250	180	15	215	4	80	4 x 14
07	50	100	8	80	M16	14	53.5	250 300	180 230	15 17	215 265	4	100	4 x 14
09	60	120	8	100	M20	18	64	350	250	18	300	4	120	4 x 17.5
11	80	160	15	125	M20	22	85	400 450	300 350	20 22	350 400	5	160	4 x 17.5 8 x 17.5
14	100	200	18	160	M24	28	106	450	350	22	400	5	200	8 x 17.5

Dimensions in [mm] \* Observe dimension k<sub>2</sub>.  
 d ≤ 50 mm: k6  
 d > 50 mm: m6

# Shaft-mounted helical gearbox dimensions

Gearboxes with mounting flange for Atex category 2GD, 3GD (zone 1, 21, 2, 22)



4

Gearbox <b>GFLOQ-3N HDR</b>		Drive size										
		1A	1B	2B	1C	2C	3C	4C	6C	7C	1D	2D
		Corresponds to IEC motor										
		63	71	63	80	71	71	71	63	80	90	80
Housing	$k_1$	75	77	75	91						115	
	$k_2$	120	145	120	145						180	
Flange	$a_3$	90	105	90	160	160	105	120	160	120	160	
	$b_3$ H8	60	70	60	110	110	70	80	110	80	110	
	$c_3$	7	8	7	10	10	8	8	10	8	10	
	$e_3$	75	85	75	130	130	85	100	130	100	130	
	$f_3$	3	3		4	4	3	3.5	4	3.5	4	
	$s_3$ 4 x	5.5	6.6	5.5	9	9	6.6	6.6	9	6.6	9	
Required motor shafts	$d_3$	11	14	11	19	14	14	14	11	19	24	19
	$l_3$ min	23	30	23	25				23	25	50	40
	$l_3$ max.	23	30	23	40				40	40	50	50
	$U_1$	4	5	4	6	5	5	5	4	6	8	6
	$t_1$	12.5	16	12.5	21.5	16	16	16	12.5	21.5	27	21.5
Gearbox size		Overall length k										
05		298	305	298	319							
06		328	335	328	349						383	
07			379		393						427	
09			431		445						479	
11					505						539	
14											618	

# Shaft-mounted helical gearbox dimensions

Gearboxes with mounting flange for Atex category 2GD, 3GD (zone 1, 21, 2, 22)



Gearbox <b>GFLO0-3N HDR</b>		Drive size													
		1E	2E	3E	4E	1F	2F	3F	1G	2G	3G	1H	2H	3H	
		Corresponds to IEC motor													
		100 112	90	80	90	100 112	90	90	132	100 112	132	160	180	132	
Housing	$k_1$	110			130	139		159	180	160	180	214	214	184	
	$k_2$	180			180	180		180	265			300			
Flange	$a_3$	160			188	160		188	300	250	250	350	350	300	
	$b_3$ H8	110			130	110		130	230	180	180	250	250	230	
	$c_3$	10			20	10		20	18	18	35	20	20	18	
	$e_3$	130			165	130		165	265	215	215	300	300	265	
	$f_3$	4			4	4		4	4.5			6	6	4.5	
	$s_3$ 4 x	9			M10	9		M10	13.5			17.5	17.5	13.5	
Required motor shafts	$d_3$	28	24	19	24	28	24	24	38	28	38	42	48	38	
	$l_3$	min			50	30		50	80	60	80	110	110	80	
		max.			50	60		50	80	60	80	110	110	80	
	$U_1$	8	8	6	8	8	8	8	10	8	10	12	14	10	
$t_1$	31	27	21.5	27	31	27	27	41	31	41	45	51.5	41		
Gearbox size	Overall length $k$														
	07	422			442										
	09	474			494	503		523							
	11	534			554	563		583	618	598	618	656	656	626	
	14	613			633	642		662	697	677	697	735	735	705	

Gearbox size	Gearbox									Torque plate					
	$o^*$	$o_1$	$o_2$	$o_3$	$o_4$	$p^*$	$p_1$	$a$	$a_4$	$a_7$	$a_8$	$c_6$	$s_6$	$k_6$	$k_7$
05	165	140	107	141	23	252	78	112.5	54.5	29	155	16	14	35	38
06	206	160	111	160	20	315	98	140	58	35	195	20	14	46	46
07	256	200	135	199	24	386	118	173	74	44	240	25	18	56	56
09	318	240	170	238	27	486	149	220	93.5	50	300	32	22	70	70
11	395	290	216	285	34	600	181	276.5	120	65	375	40	26	84	90
14	490	350	271	340	38	740	228	339	154	80	455	50	32	100	114

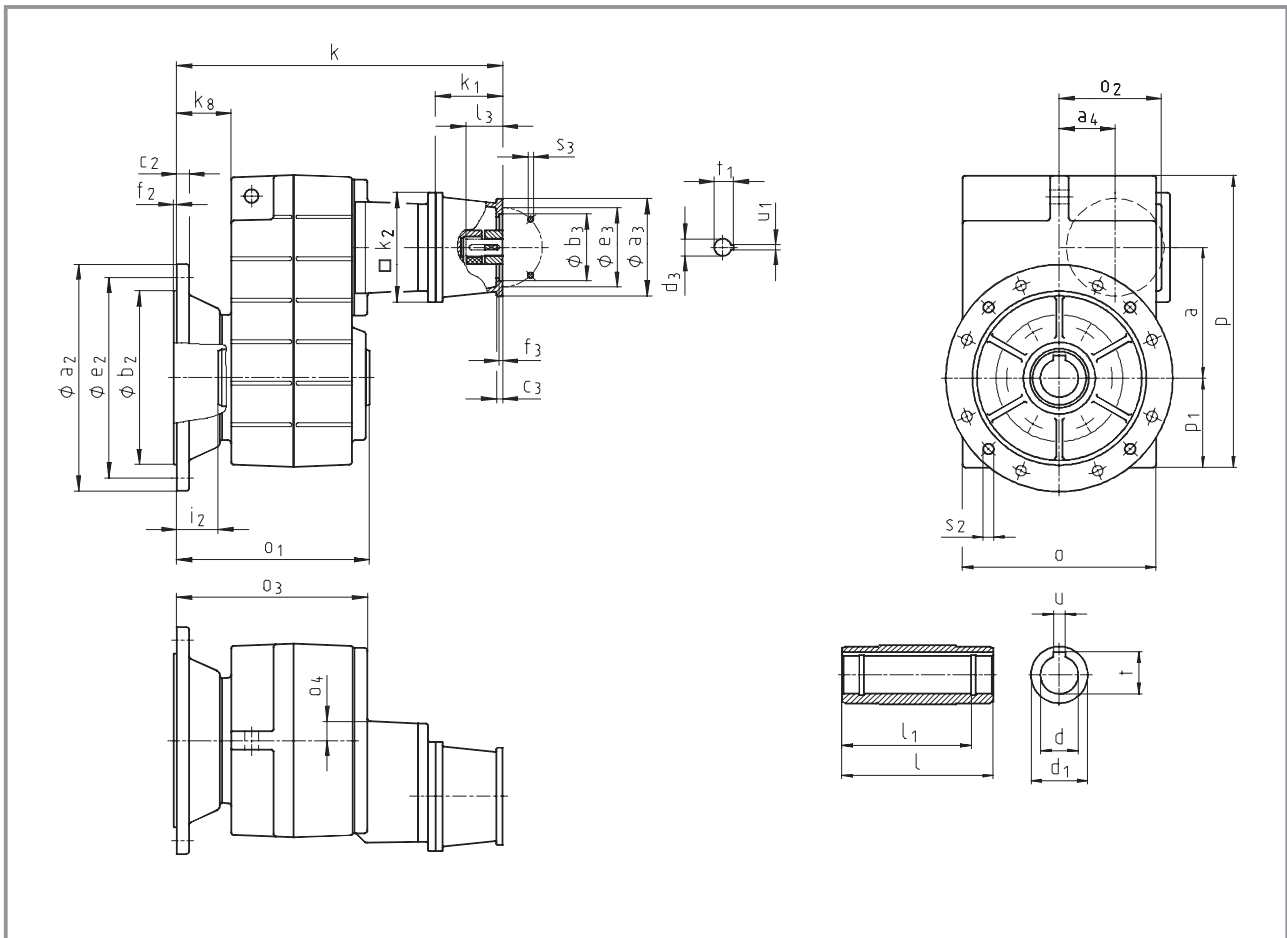
Gearbox size	Hollow shaft						Threaded pitch circle					
	$d$ H7	$l$	$d_1$	$l_1$	$u$ JS9	$t$ +0.2	$a_1$	$b_1$ H7	$e_1$	$f_1$	$i_1$	$s_1$ 6 x 60°
05	30 35	140	50	124	8 10	33.3 38.3	118	80	100	4	4	M8x15
06	40 45	160	65	140	12 14	43.3 48.8	140	100	120	4	5	M10x16
07	50 55	200	75	175	14 16	53.8 59.3	165	115	140	5	5	M12x18
09	60 70	240	95	210	18 20	64.4 74.9	205	145	175	6	5	M16x24
11	70 80	290	105	250	20 22	74.9 85.4	240	140	205	6	6	M20x32
14	100	350	135	305	28	106.4	290	170	250	6	7	M24x35

Dimensions in [mm]

\* Observe dimension  $k_2$ .

# Shaft-mounted helical gearbox dimensions

Gearboxes with mounting flange for Atex category 2GD, 3GD (zone 1, 21, 2, 22)



Gearbox <b>GFLO□-3N HCK</b>		Drive size										
		1A	1B	2B	1C	2C	3C	4C	6C	7C	1D	2D
		Corresponds to IEC motor										
		63	71	63	80	71	71	71	63	80	90	80
Housing	$k_1$	75	77	75	91						115	
	$k_2$	120	145	120	145						180	
Flange	$a_3$	90	105	90	160	160	105	120	160	120	160	
	$b_3$ H8	60	70	60	110	110	70	80	110	80	110	
	$c_3$	7	8	7	10	10	8	8	10	8	10	
	$e_3$	75	85	75	130	130	85	100	130	100	130	
	$f_3$	3	3	3	4	4	3	3.5	4	3.5	4	
	$s_3$ 4 x	5.5	6.6	5.5	9	9	6.6	6.6	9	6.6	9	
Required motor shafts	$d_3$	11	14	11	19	14	14	14	11	19	24	19
	$l_3$ min	23	30	23	25				23	25	50	40
	$l_3$ max.	23	30	23	40				40	40	50	50
	$U_1$	4	5	4	6	5	5	5	4	6	8	6
	$t_1$	12.5	16	12.5	21.5	16	16	16	12.5	21.5	27	21.5
Gearbox size		Overall length k										
05		331	338	331	352							
06		369	376	369	390						424	
07			434		448						482	
09			491		505						539	
11					565						599	
14											678	



# Shaft-mounted helical gearbox dimensions

Gearboxes with mounting flange for Atex category 2GD, 3GD (zone 1, 21, 2, 22)



Gearbox <b>GFL00-3N HCK</b>		Drive size													
		1E	2E	3E	4E	1F	2F	3F	1G	2G	3G	1H	2H	3H	
		Corresponds to IEC motor													
		100 112	90	80	90	100 112	90	90	132	100 112	132	160	180	132	
Housing	k <sub>1</sub>	110			130	139		159	180	160	180	214	214	184	
	k <sub>2</sub>	180			180	180		180	265			300			
Flange	a <sub>3</sub>	160			188	160		188	300	250	250	350	350	300	
	b <sub>3</sub> H8	110			130	110		130	230	180	180	250	250	230	
	c <sub>3</sub>	10			20	10		20	18	18	35	20	20	18	
	e <sub>3</sub>	130			165	130		165	265	215	215	300	300	265	
	f <sub>3</sub>	4			4	4		4	4.5			6	6	4.5	
	s <sub>3</sub> 4 x	9			M10	9		M10	13.5			17.5	17.5	13.5	
Required motor shafts	d <sub>3</sub>	28	24	19	24	28	24	24	38	28	38	42	48	38	
	l <sub>3</sub>	min			50	30		50	80	60	80	110	110	80	
		max.			50	60		50	80	60	80	110	110	80	
	U <sub>1</sub>	8	8	6	8	8	8	8	10	8	10	12	14	10	
t <sub>1</sub>	31	27	21.5	27	31	27	27	41	31	41	45	51.5	41		
Gearbox size	Overall length k														
	07	477			497										
	09	534			554	563		583							
	11	594			614	623		643	678	658	678	716	716	686	
	14	673			693	702		722	757	737	757	795	795	765	

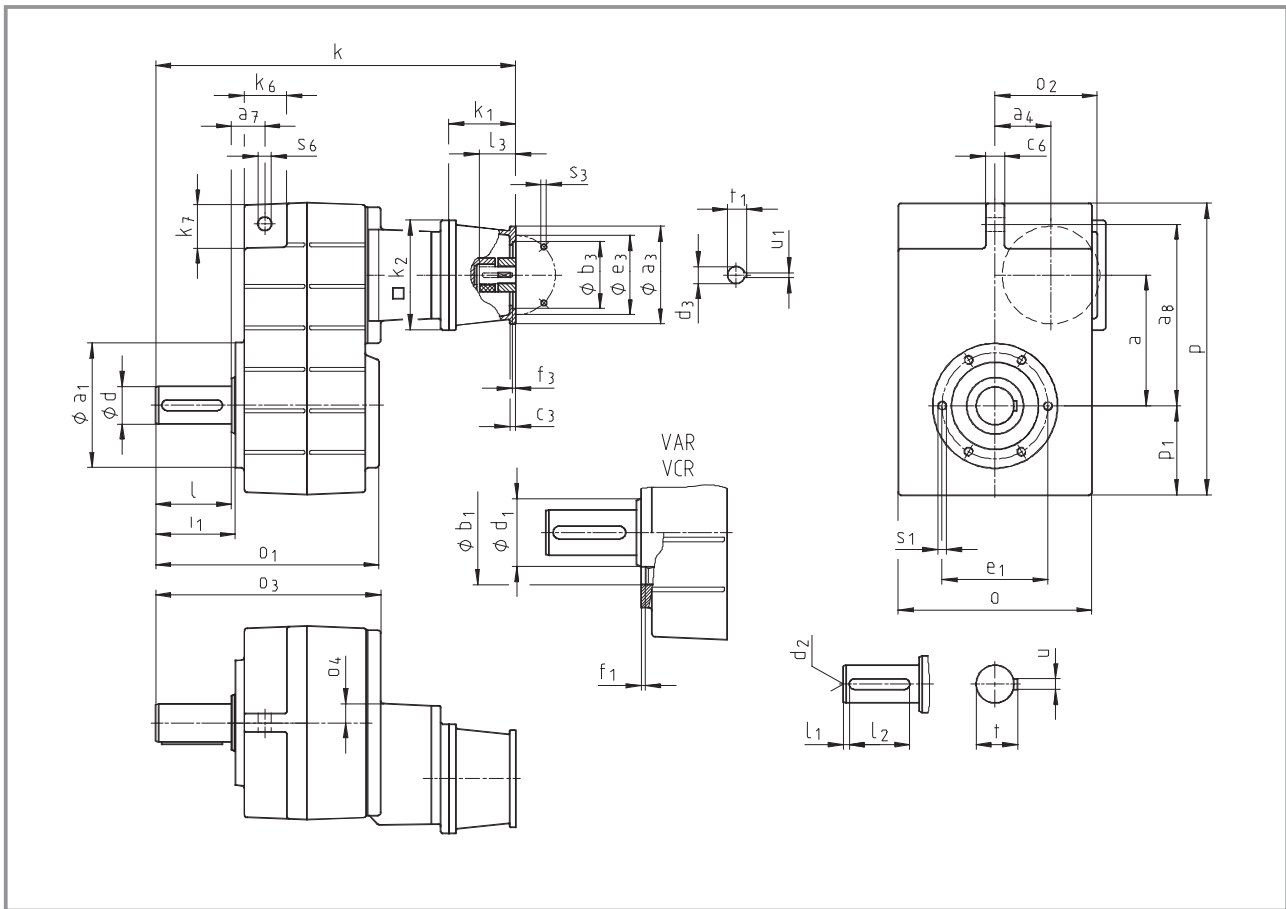
Gearbox size	Gearbox									
	o*	o <sub>1</sub>	o <sub>2</sub>	o <sub>3</sub>	o <sub>4</sub>	p*	p <sub>1</sub>	a	a <sub>4</sub>	k <sub>8</sub>
05	165	173	107	174	23	252	78	112.5	54.5	46
06	206	201	111	201	20	315	98	140	58	55
07	256	255	135	254	24	386	118	173	74	72
09	318	300	170	298	27	486	149	220	93.5	77
11	395	350	216	345	34	600	181	276.5	120	85
14	490	410	271	400	38	740	228	339	154	89

Gearbox size	Hollow shaft						Output flange						
	d H7	l	d <sub>1</sub>	l <sub>1</sub>	u JS9	t +0.2	a <sub>2</sub>	b <sub>2</sub> j7	c <sub>2</sub>	e <sub>2</sub>	f <sub>2</sub>	i <sub>2</sub>	s <sub>2</sub>
05	30	140	50	124	8	33.3	200	130	12	165	3.5	33	4 x 11
	35				10	38.3		180					
06	40	160	65	140	12	43.3	200	130	12	165	3.5	42	4 x 11
	45				14	48.8		180					
07	50	200	75	175	14	53.8	250	180	15	215	4	55	4 x 14
	55				16	59.3		230					
09	60	240	95	210	18	64.4	350	250	18	300	4	60	4 x 17.5
	70				20	74.9		300					
11	70	290	105	250	20	74.9	400	300	20	350	5	60	4 x 17.5
	80				22	85.4		450					
14	100	350	135	305	28	106.4	450	350	22	400	5	60	8 x 17.5

Dimensions in [mm] \* Observe dimension k<sub>2</sub>.

# Shaft-mounted helical gearbox dimensions

Gearboxes with mounting flange for Atex category 2GD, 3GD (zone 1, 21, 2, 22)



4

Gearbox <b>GFLO□-3N VOR</b>		Drive size										
		1A	1B	2B	1C	2C	3C	4C	6C	7C	1D	2D
		Corresponds to IEC motor										
		63	71	63	80	71	71	71	63	80	90	80
Housing	$k_1$	75	77	75	91						115	
	$k_2$	120	145	120	145						180	
Flange	$a_3$	90	105	90	160	160	105	120	160	120	160	
	$b_3$ H8	60	70	60	110	110	70	80	110	80	110	
	$c_3$	7	8	7	10	10	8	8	10	8	10	
	$e_3$	75	85	75	130	130	85	100	130	100	130	
	$f_3$	3	3		4	4	3	3.5	4	3.5	4	
	$s_3$ 4 x	5.5	6.6	5.5	9	9	6.6	6.6	9	6.6	9	
Required motor shafts	$d_3$	11	14	11	19	14	14	14	11	19	24	19
	$l_3$ min	23	30	23	25				23	25	50	40
	$l_3$ max.	23	30	23	40				40	40	50	50
	$U_1$	4	5	4	6	5	5	5	4	6	8	6
	$t_1$	12.5	16	12.5	21.5	16	16	16	12.5	21.5	27	21.5
Gearbox size		Overall length k										
05		358	365	358	379							
06		408	415	408	429						463	
07			479		493						527	
09			551		565						599	
11					665						699	
14											818	

# Shaft-mounted helical gearbox dimensions

Gearboxes with mounting flange for Atex category 2GD, 3GD (zone 1, 21, 2, 22)



Gearbox <b>GFLO0-3N V0R</b>		Drive size													
		1E	2E	3E	4E	1F	2F	3F	1G	2G	3G	1H	2H	3H	
		Corresponds to IEC motor													
		100 112	90	80	90	100 112	90	90	132	100 112	132	160	180	132	
Housing	k <sub>1</sub>	110			130	139		159	180	160	180	214	214	184	
	k <sub>2</sub>	180			180	180		180	265			300			
Flange	a <sub>3</sub>	160			188	160		188	300	250	250	350	350	300	
	b <sub>3</sub> H8	110			130	110		130	230	180	180	250	250	230	
	c <sub>3</sub>	10			20	10		20	18	18	35	20	20	18	
	e <sub>3</sub>	130			165	130		165	265	215	215	300	300	265	
	f <sub>3</sub>	4			4	4		4	4.5			6	6	4.5	
	s <sub>3</sub> 4 x	9			M10	9		M10	13.5			17.5	17.5	13.5	
Required motor shafts	d <sub>3</sub>	28	24	19	24	28	24	24	38	28	38	42	48	38	
	l <sub>3</sub>	min			30	50		30	50	80	60	80	110	110	80
		max.			60	50		60	80	80	60	80	110	110	80
	U <sub>1</sub>	8	8	6	8	8	8	8	10	8	10	12	14	10	
t <sub>1</sub>	31	27	21.5	27	31	27	27	41	31	41	45	51.5	41		
Gearbox size	Overall length k														
	07	522			542										
	09	594			614	623		643							
	11	694			714	723		743	778	758	778	816	816	786	
	14	813			833	842		862	897	877	897	935	935	905	

Gearbox size	Gearbox									Torque plate					
	o*	o <sub>1</sub>	o <sub>2</sub>	o <sub>3</sub>	o <sub>4</sub>	p*	p <sub>1</sub>	a	a <sub>4</sub>	a <sub>7</sub>	a <sub>8</sub>	c <sub>6</sub>	s <sub>6</sub>	k <sub>6</sub>	k <sub>7</sub>
05	165	197	107	201	23	252	78	112.5	54.5	29	155	16	14	35	38
06	206	236	111	240	20	315	98	140	58	35	195	20	14	46	46
07	256	296	135	299	24	386	118	173	74	44	240	25	18	56	56
09	318	356	170	358	27	486	149	220	93.5	50	300	32	22	70	70
11	395	445	216	445	34	600	181	276.5	120	65	375	40	26	84	90
14	490	544	271	540	38	740	228	339	154	80	455	50	32	100	114

Gearbox size	Solid shaft								Threaded pitch circle					
	d	l	d <sub>1</sub>	l <sub>1</sub>	l <sub>2</sub>	d <sub>2</sub>	u	t	a <sub>1</sub>	b <sub>1</sub> H7	e <sub>1</sub>	f <sub>1</sub>	i <sub>1</sub>	s <sub>1</sub> 6 x 60°
05	30	60	50	6	45	M10	8	33	118	80	100	4	64	M8x15
06	40	80	65	7	63	M16	12	43	140	100	120	4	85	M10x16
07	50	100	75	8	80	M16	14	53.5	165	115	140	5	105	M12x18
09	60	120	95	8	100	M20	18	64	205	145	175	6	125	M16x24
11	80	160	105	15	125	M20	22	85	240	140	205	6	166	M20x32
14	100	200	135	18	160	M24	28	106	290	170	250	6	207	M24x35

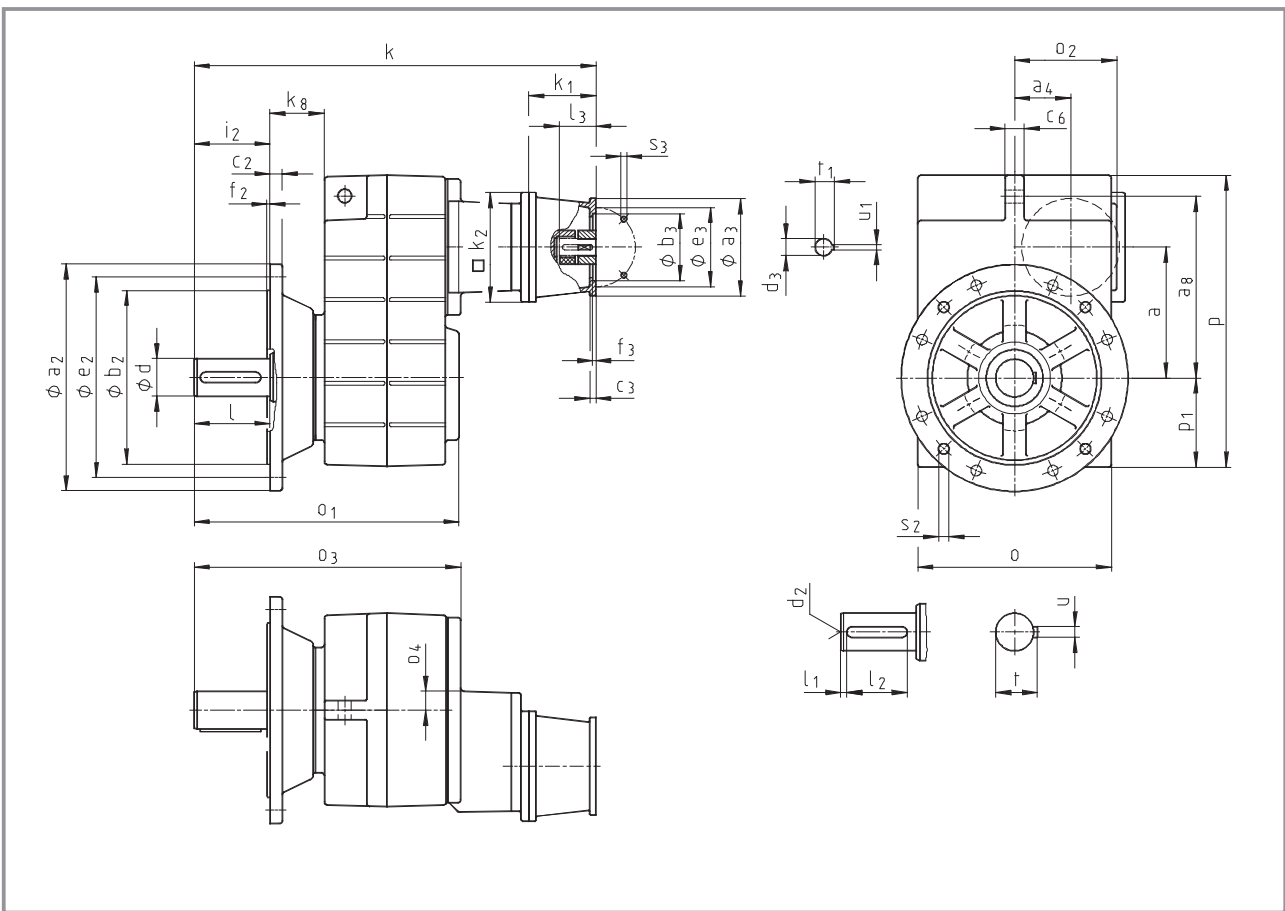
Dimensions in [mm]

\* Observe dimension k<sub>2</sub>.

d ≤ 50 mm: k6  
d > 50 mm: m6

# Shaft-mounted helical gearbox dimensions

Gearboxes with mounting flange for Atex category 2GD, 3GD (zone 1, 21, 2, 22)



Gearbox <b>GFL□□-3N VCK</b>		Drive size										
		1A	1B	2B	1C	2C	3C	4C	6C	7C	1D	2D
Housing	$k_1$	63	71	63	80	71	71	71	63	80	90	80
	$k_2$	75	77	75	Corresponds to IEC motor						91	115
Flange	$a_3$	120	145	120	145						180	
	$b_3$ H8	90	105	90	160	160	105	120	160	120	160	
	$c_3$	60	70	60	110	110	70	80	110	80	110	
	$e_3$	7	8	7	10	10	8	8	10	8	10	
	$f_3$	75	85	75	130	130	85	100	130	100	130	
Required motor shafts	$s_3$ 4 x	3	3	3	4	4	3	3.5	4	3.5	4	
	$d_3$	5.5	6.6	5.5	9	9	6.6	6.6	9	6.6	9	
	$l_3$ min	11	14	11	19	14	14	14	11	19	24	19
	$l_3$ max.	23	30	23	25				23	25	50	40
	$U_1$	23	30	23	40				40	40	50	50
	$t_1$	4	5	4	6	5	5	5	4	6	8	6
		12.5	16	12.5	21.5	16	16	16	12.5	21.5	27	21.5
Gearbox size		Overall length $k$										
	05	391	398	391	412							
	06	449	456	449	470				504			
	07		534		548				582			
	09		611		625				659			
	11				725				759			
	14								878			

# Shaft-mounted helical gearbox dimensions

Gearboxes with mounting flange for Atex category 2GD, 3GD (zone 1, 21, 2, 22)



Gearbox <b>GFL00-3N VCK</b>		Drive size												
		1E	2E	3E	4E	1F	2F	3F	1G	2G	3G	1H	2H	3H
		Corresponds to IEC motor												
		100 112	90	80	90	100 112	90	90	132	100 112	132	160	180	132
Housing	$k_1$	110			130	139		159	180	160	180	214	214	184
	$k_2$	180			180	180		180	265			300		
Flange	$a_3$	160			188	160		188	300	250	250	350	350	300
	$b_3$ H8	110			130	110		130	230	180	180	250	250	230
	$c_3$	10			20	10		20	18	18	35	20	20	18
	$e_3$	130			165	130		165	265	215	215	300	300	265
	$f_3$	4			4	4		4	4.5			6	6	4.5
	$s_3$ 4 x	9			M10	9		M10	13.5			17.5	17.5	13.5
Required motor shafts	$d_3$	28	24	19	24	28	24	24	38	28	38	42	48	38
	$l_3$	min			50	30		50	80	60	80	110	110	80
		max.			50	60		50	80	60	80	110	110	80
	$U_1$	8	8	6	8	8	8	8	10	8	10	12	14	10
$t_1$	31	27	21.5	27	31	27	27	41	31	41	45	51.5	41	
Gearbox size		Overall length $k$												
07		577			597									
09		654			674	683		703						
11		754			774	783		803	838	818	838	876	876	846
14		873			893	902		922	957	937	957	995	995	965

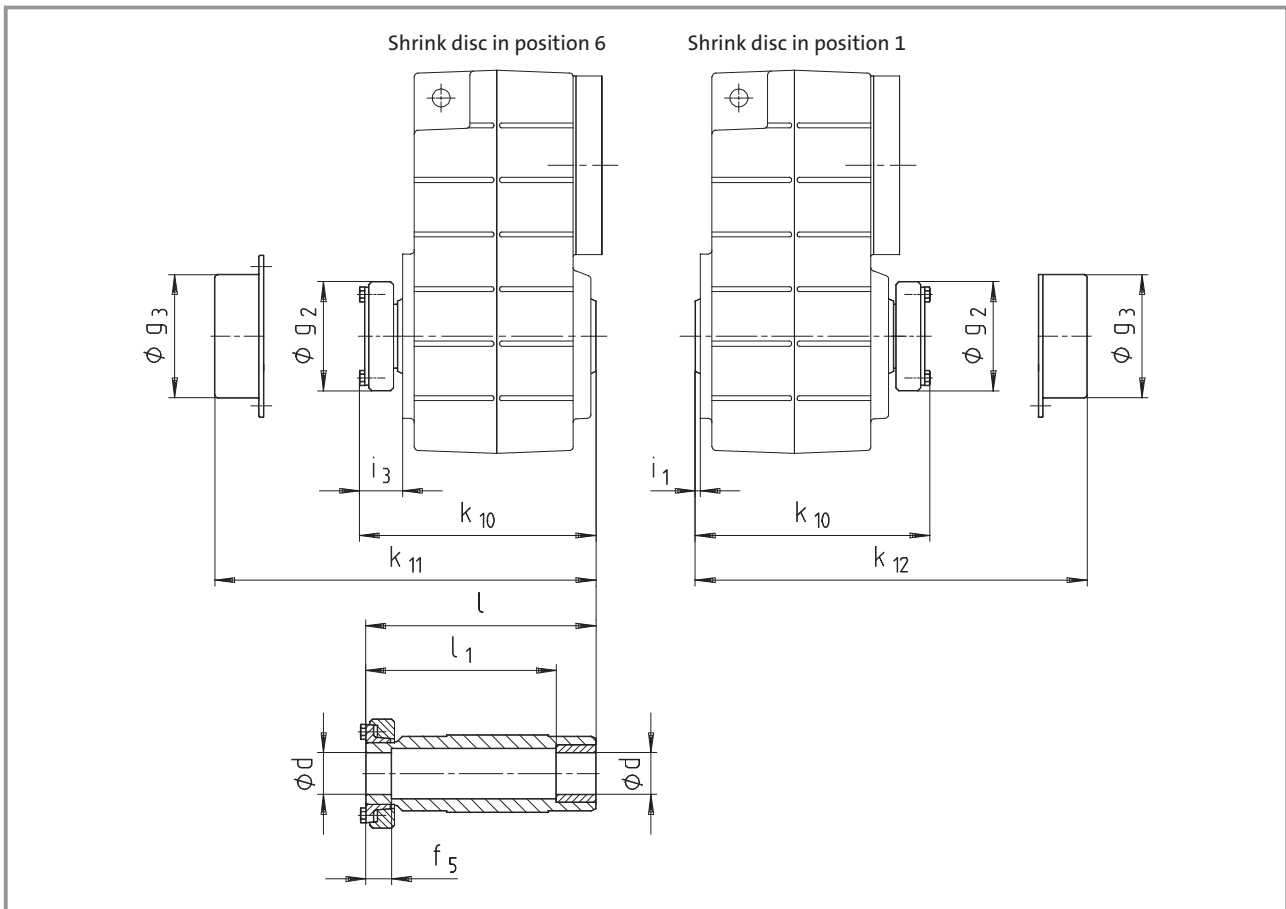
Gearbox size	$o^*$	$o_1$	$o_2$	$o_3$	$o_4$	$p^*$	$p_1$	$a$	$a_4$	$k_8$
05	165	230	107	234	23	252	78	112.5	54.5	46
06	206	277	111	281	20	315	98	140	58	55
07	256	351	135	354	24	386	118	173	74	72
09	318	416	170	418	27	486	149	220	93.5	77
11	395	505	216	505	34	600	181	276.5	120	85
14	490	604	271	600	38	740	228	339	154	89

Gearbox size	Solid shaft							Output flange						
	$d$	$l$	$l_1$	$l_2$	$d_2$	$u$	$t$	$a_2$	$b_2$ $j7$	$c_2$	$e_2$	$f_2$	$i_2$	$s_2$
05	30	60	6	45	M10	8	33	200	130	12	165	3.5	60	4 x 11
06	40	80	7	63	M16	12	43	250	180	15	215	4	80	4 x 14
07	50	100	8	80	M16	14	53.5	250 300	180 230	15 17	215 265	4	100	4 x 14
09	60	120	8	100	M20	18	64	350	250	18	300	4	120	4 x 17.5
11	80	160	15	125	M20	22	85	400 450	300 350	20 22	350 400	5	160	4 x 17.5 8 x 17.5
14	100	200	18	160	M24	28	106	450	350	22	400	5	200	8 x 17.5

Dimensions in [mm] \* Observe dimension  $k_2$ .

$d \leq 50$  mm: k6  
 $d > 50$  mm: m6

## Hollow shaft with shrink disc



Gearbox size	Machine shaft *)		Hollow shaft with shrink disc								Cover	
	d	Fit	i <sub>1</sub>	i <sub>3</sub>	g <sub>2</sub>	k <sub>10</sub>	l	l <sub>1</sub>	f <sub>5</sub>	g <sub>3</sub>	k <sub>11</sub>	k <sub>12</sub>
04	25 <sub>30</sub> h6	2.5	35	72	147.5	142	122	26	79	154	-	
05	35	h6	4	37.5	80	173.5	168	148	28	90	181	-
06	40	h6	5	44.5	90	199.5	194	164	30	100	206	207
07	50	h6	5	42.5	110	237.5	232	192	26	124	246	247
09	65	h6	5	50	141	285	278	228	30	159	289	290
11	80	h6	6	60	170	344	338	238	42	191	351	352
14	100	h6	7	72	215	415	407	307	55	253	423	424

Dimensions in [mm]

Not suitable for through machine shaft at motor end:

GFL04-2M S□□ 080C□□; d=30

GFL05-2M S□□ 100C□□; d=35

\* Ensure that the strength of the shaft material is adequate in shrink disc designs. When using typical steels (e.g. C45, 42CrMo4), the torques listed in the selection tables can be used without restriction. When using material that is considerably weaker, please consult us.

The average surface roughness Rz must not exceed 15 μm (turning operation is sufficient).



### Hollow shaft with shrink disc

Possible shrink disc combinations at the drive end (position 1)

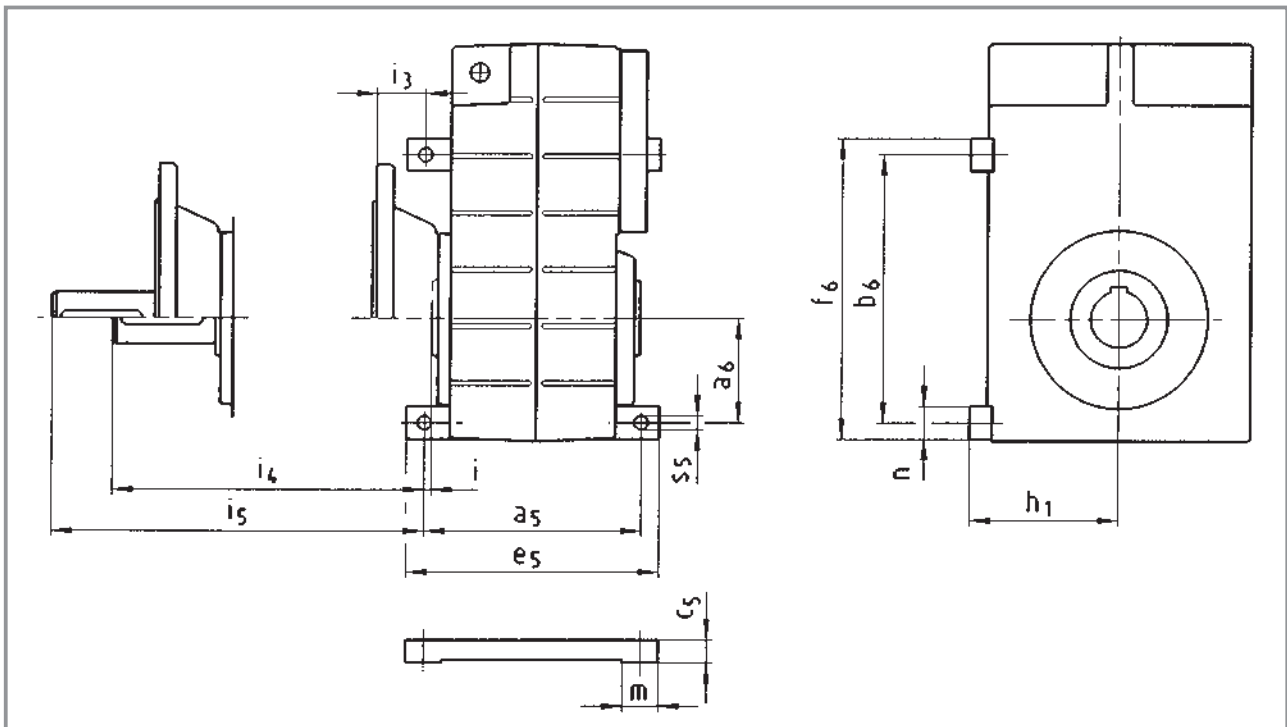
Gearbox size	Geared motors GFL□□-2M with motor frame size							
	063C	071C	071	080	090	100	112	132
04								
05	● <sup>1)</sup>	● <sup>1)</sup>						
06	●	●	●	●	● <sup>1)</sup>	● <sup>1)</sup>		
07				●	●	●	● <sup>1)</sup>	
09					●	●	●	●
11						●	●	●
14							●	●

Gearbox size	Gearboxes with mounting flange for IEC standard motors GFL□□-2N with drive size									
	1A	1B	2B	□C	□D	□E	□F	□G	□H	□K
04										
05										
06		●		●	● <sup>1)</sup>	● <sup>1)</sup>	● <sup>1)</sup>			
07				●	●	●	●			
09					●	●	●	●	● <sup>1)</sup>	● <sup>1)</sup>
11						●	●	●	●	●
14								●	●	●

<sup>1)</sup> Without cover

With geared motors/gearboxes GFL□□-3□, all designs are possible.

## Foot mounting in position 3



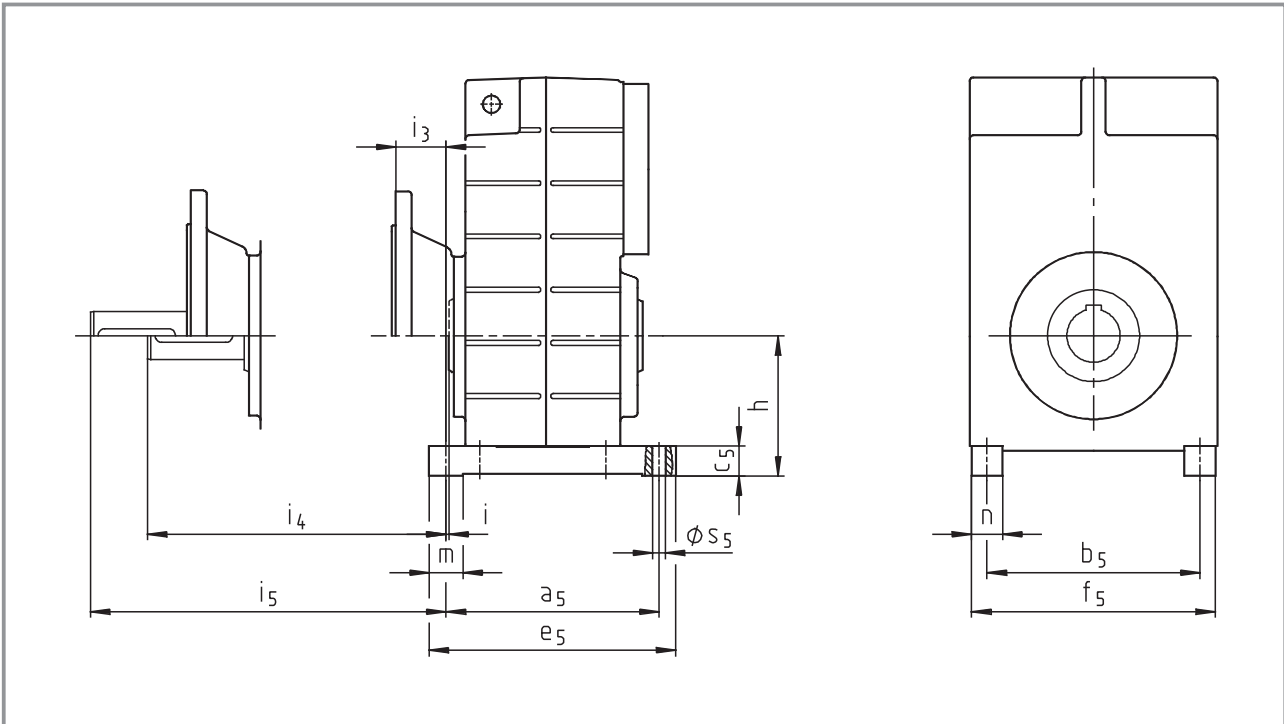
Gearbox size	Gearbox						Foot									Foot not possible with drive design	
	HAR HBR SAR SBR i	HAK SAK i <sub>3</sub>	VAR VBR i <sub>4</sub>	VAK i <sub>5</sub>	a <sub>5</sub>	b <sub>6</sub>	c <sub>5</sub>	e <sub>5</sub>	f <sub>6</sub>	n	m	s <sub>5</sub>	M	N			
04	4.5	28.5	45.5	78.5	130	115	18	152	140	25	22	6.6	> 080-□□	> □C			
05	2	31	58	91	160	167	21	185	192	25	25	9	> 080-□□	> □C			
06	2	39	78	119	175	205	27	205	233	28	30	11	> 100-□□				
07	3	52	97	152	220	260	31	255	292	32	35	13.5		> □G			
09	3	57	117	177	260	335	36	300	375	40	40	17.5					
11	3	57	157	217	315	435	48	365	485	50	50	22					
14	3	57	197	257	375	540	57	430	600	60	55	26					

Dimensions in [mm]





### Foot mounting in position 4

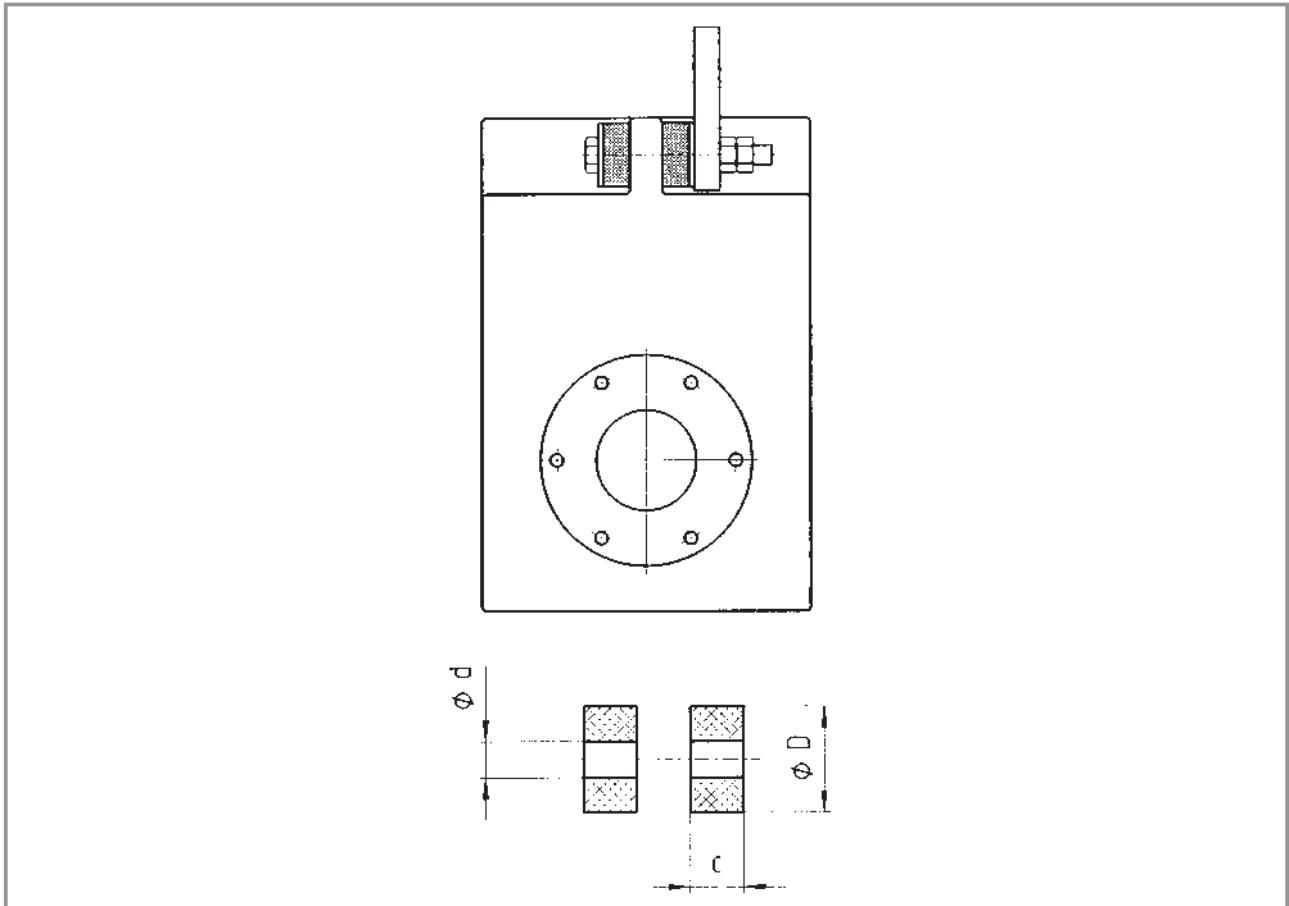


Gearbox size	Gearbox*					Foot							
	h	HAR HBR SAR SBR i	HAK SAK i3	VAR VBR i4	VAK i5	a5	b5	c5	e5	f5	n	m	s5
04	85	4.5	28.5	45.5	78.5	130	108	18	152	133	25	22	6.6
05	95	2	31	58	91	160	140	21	185	165	25	25	9
06	120	2	39	78	119	175	175	27	205	203	28	30	11
07	145	3	52	97	152	220	220	31	255	252	32	35	13.5
09	180	3	57	117	177	260	275	36	300	315	40	40	17.5
11	224	3	57	157	217	315	340	48	365	390	50	50	22
14	278	3	57	197	257	375	425	57	430	485	60	55	26

Dimensions in [mm]

**Note:** With mounting positions E and F, the oil control plug/oil-sight glass are located between the feet in position 4.

## Rubber buffer set

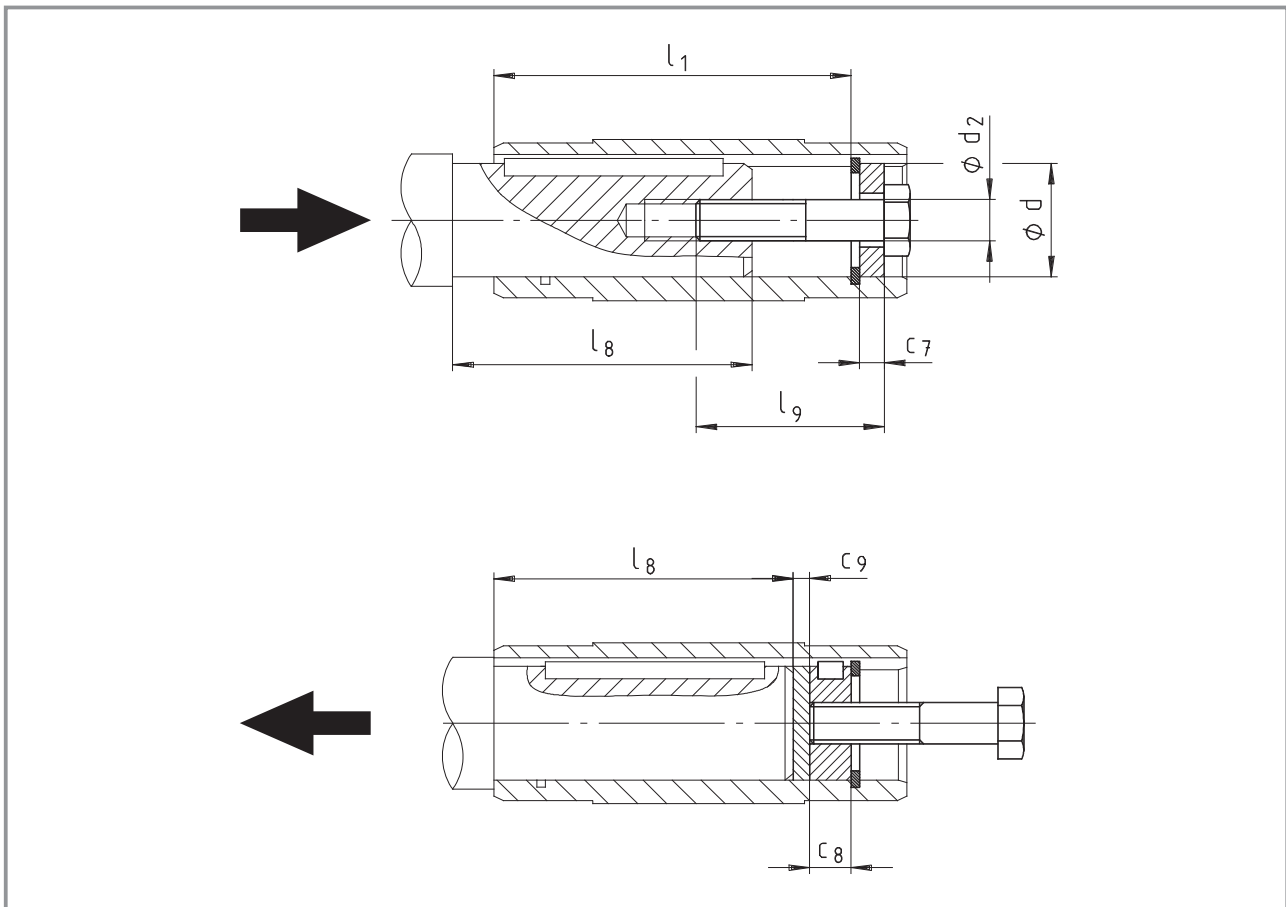


Gearbox size	d	D	c
04	11	30	14.5
05	11	30	14.5
06	13	40	15
07	17	50	27
09	21	60	28
11	26	72	29
14	33	92	30

Dimensions in [mm]



### Mounting set for hollow shaft circlip/proposed design for auxiliary tools



Gearbox size	Hollow shaft (design H)			Mounting set for hollow shaft circlip (mounting auxiliary tool)			Dismounting auxiliary tool		Machine shaft max $l_8$
	$l$	$l_1$	$d$ H7	$d_2$	$l_9$	$c_7$	$c_8$	$c_9$	
04	115	100	25 30	M10 M10	40	5 6	10	3	85
05	140	124	30 35	M10 M12	40 50	6 7	10 12	3	107
06	160	140	40 45	M16	60	8 9	16	4	118
07	200	175	50 55	M16 M20	60 80	10 11	16 20	5	148
09	240	210	60 70	M20	80	13 14	20	5	182
11	290	250	70 80	M20	80	14 16	20	6	221
14	350	305	100	M24	100	20	24	8	270

Dimensions in [mm]



## Technical data

Permissible radial and axial forces

Output	5-2
Output backlash	5-4
Oil control position	5-5
Weights	5-6
Additional weights	5-7

## Selection tables

Geared motors for

Atex category 2G, 2D, 3G, 3D (zone 1, 21, 2, 22)	5-8
---	-----

Gearboxes with mounting flange for

Atex category 2GD, 3GD (zone 1, 21, 2, 22)	5-14
---	------

## Dimensions

Geared motors for

Atex category 2G, 2D, 3G, 3D (zone 1, 21, 2, 22)	5-26
---	------

Gearboxes with mounting flange for

Atex category 2GD, 3GD (zone 1, 21, 2, 22)	5-30
---	------

Other dimensions

Hollow shaft with shrink disc	5-38
With second output shaft end	5-39
Hoseproof hollow shaft cover	5-40
Rubber buffer set for torque plate	5-40
Torque plate at threaded pitch circle	5-41
Torque plate at housing foot	5-43
Mounting set for hollow shaft circlip	5-43
Proposed design for auxiliary tools	5-43

### Bevel gearbox GKR□□

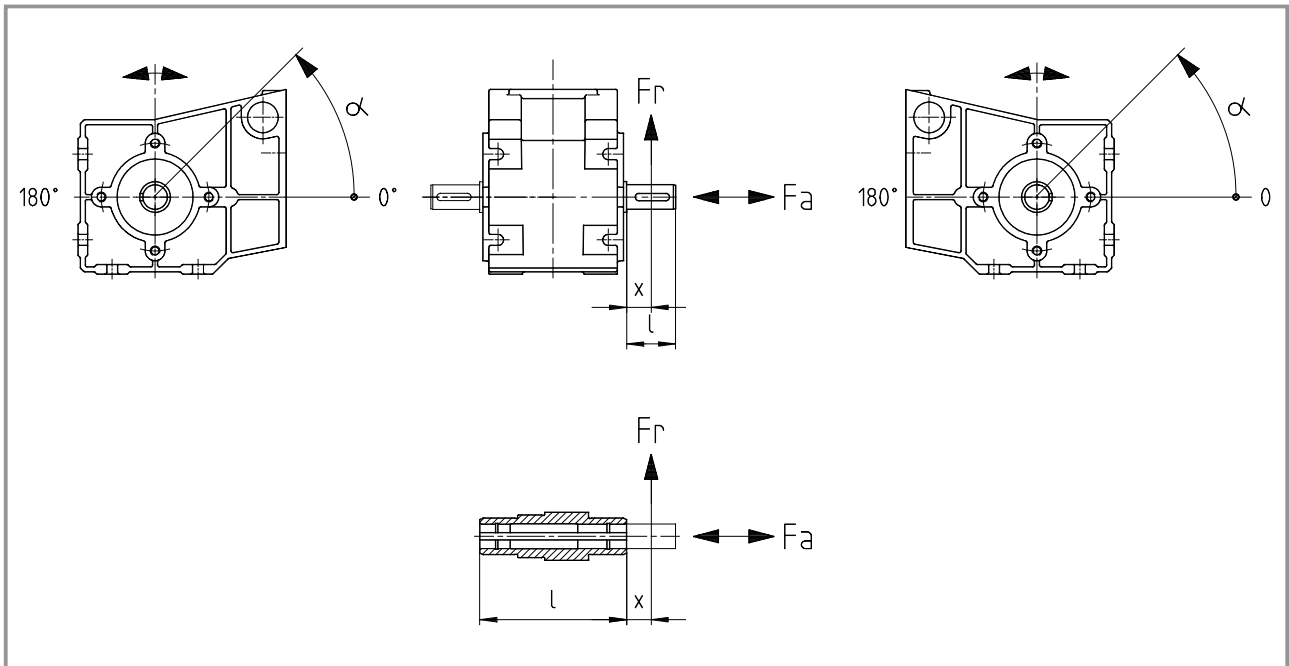
#### Permissible radial force

$$F_{r \text{ perm}} = \min (f_w \cdot f_\alpha \cdot F_{r \text{ Tab}} ; f_w \cdot F_{r \text{ max}})$$

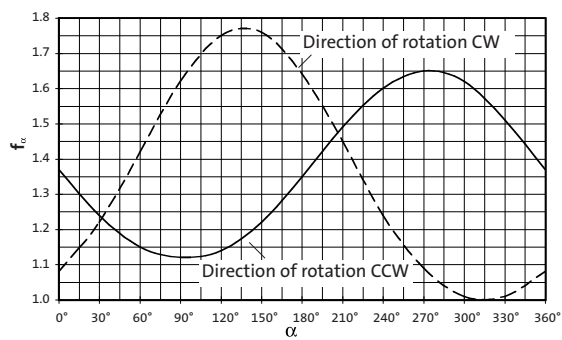
#### Permissible axial force

$$F_{a \text{ perm}} = F_{a \text{ Tab}} \quad \text{at } F_r = 0$$

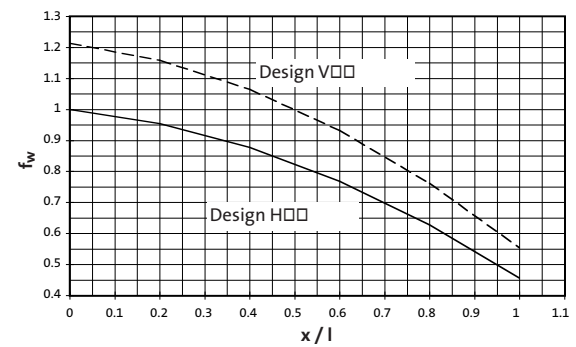
Contact Lenze      if  $F_r$  and  $F_a \neq 0$



**$f_\alpha$**  Effective direction factor at output shaft



**$f_w$**  Additional load factor at output shaft



# Technical data - Bevel gearboxes

## Permissible radial and axial forces - Output



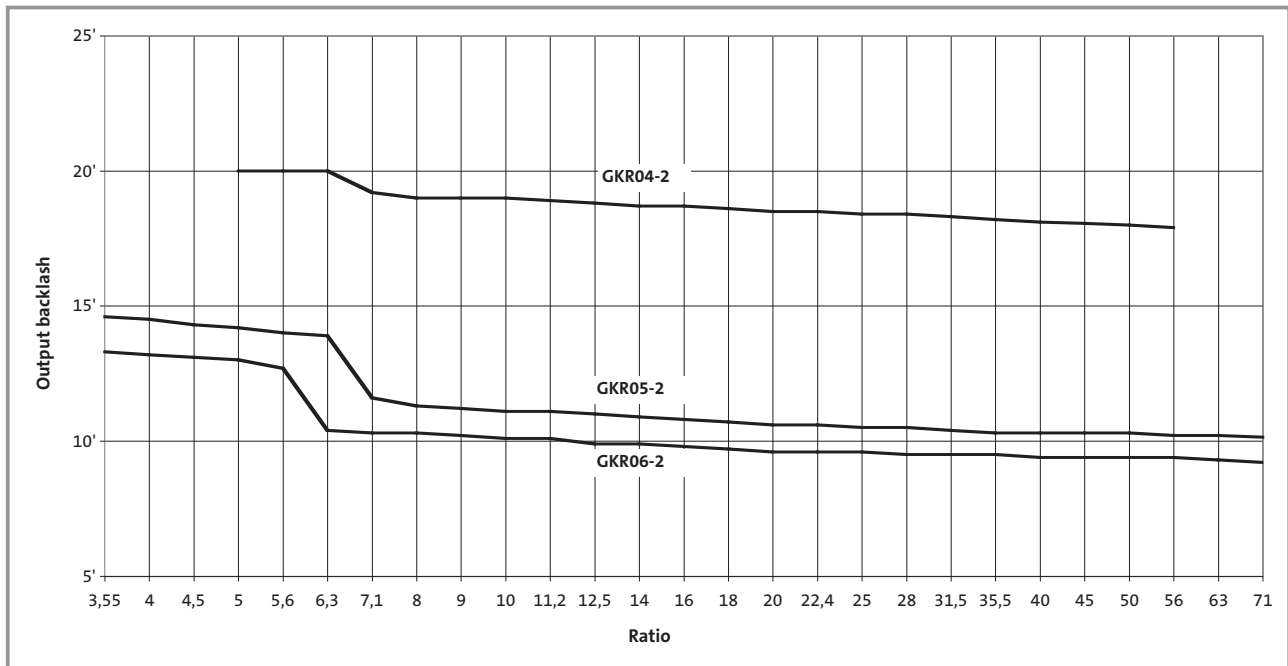
H□□	Hollow shaft					
	Application of force $F_r$ : at hollow shaft end face ( $x = 0$ ) $F_{aTab}$ only valid for $F_r = 0$					
$n_2$ [rpm]	GKR04		GKR05		GKR06	
	$F_{rTab}$ [N]	$F_{aTab}$ [N]	$F_{rTab}$ [N]	$F_{aTab}$ [N]	$F_{rTab}$ [N]	$F_{aTab}$ [N]
400	1700	850	2500	1200	3300	1600
250	2000	1000	3000	1400	3400	1700
160	2200	1100	3400	1600	3600	1800
100	2400	1200	4100	2000	4600	2300
63	2400	1200	4900	2400	6000	3000
40	2400	1200	5200	2600	6600	3300
25	2400	1200	5200	2600	6600	3300
≤16	2400		1200		5200	2600 6600 3300
$F_{max}$	2400	-	5200	-	6600	-

V□R	Solid shaft without flange					
	Application of force $F_r$ : centre of shaft journal ( $x = l/2$ ) $F_{aTab}$ only valid for $F_r = 0$					
$n_2$ [rpm]	GKR04		GKR05		GKR06	
	$F_{rTab}$ [N]	$F_{aTab}$ [N]	$F_{rTab}$ [N]	$F_{aTab}$ [N]	$F_{rTab}$ [N]	$F_{aTab}$ [N]
400	1400	850	2000	1200	2600	1600
250	1600	1000	2400	1400	2800	1700
160	1800	1100	3000	1600	3000	1800
100	2000	1200	3300	2000	3700	2300
63	2000	1200	4000	2400	4800	3000
40	2000	1200	4300	2600	5700	3300
25	2000	1200	4300	2600	6000	3300
≤16	2000		1200		4300	2600 6000 3300
$F_{max}$	2000	-	4300	-	6000	-

VAK	Solid shaft with flange					
	Application of force $F_r$ : centre of shaft journal ( $x = l/2$ ) $F_{aTab}$ only valid for $F_r = 0$					
$n_2$ [rpm]	GKR04		GKR05		GKR06	
	$F_{rTab}$ [N]	$F_{aTab}$ [N]	$F_{rTab}$ [N]	$F_{aTab}$ [N]	$F_{rTab}$ [N]	$F_{aTab}$ [N]
400	1400	850	3400	1200	3600	1600
250	1600	1000	4000	1400	4100	1700
160	1800	1100	4300	1600	4600	1800
100	2000	1200	4300	2000	6000	2300
63	2000	1200	4300	2400	6000	3000
40	2000	1200	4300	2600	6000	3300
25	2000	1200	4300	2600	6000	3300
≤16	2000		1200		4300	2600 6000 3300
$F_{max}$	2000	-	4300	-	6000	-

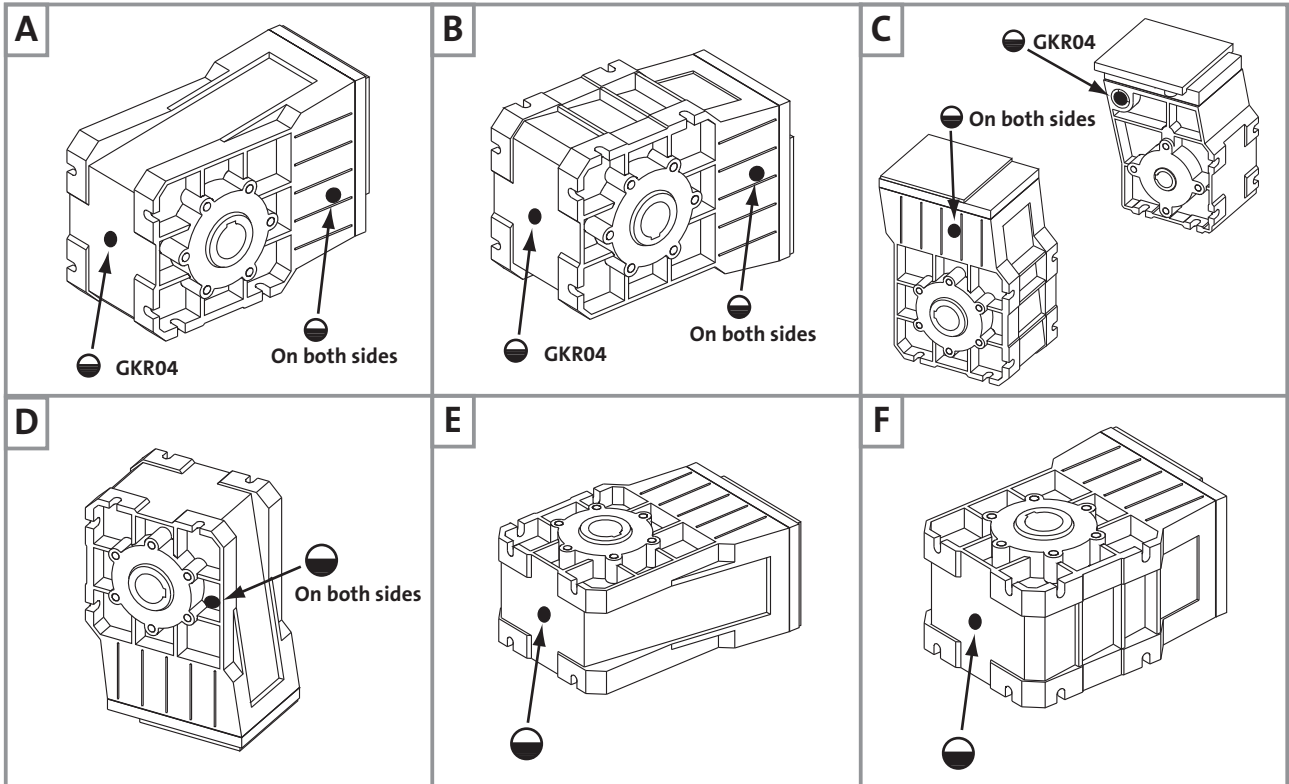
Neither radial nor axial forces are permitted on hollow shafts with shrink discs (S□□).


## Bevel gearbox GKR□□-2





GKR04 ... 06-2 with oil-sight glass



(A ... F) Mounting position     Oil-sight glass

### GKR□□-2M H□R

Gearbox size	Motor frame size					
	063 □□□	071 □□□	080 □□□	090 □□□	100 □□□	112 -22
04	9,2	11	16	24		
05	14	16	20	28	37	
06	22	24	28	37	46	58

### GKR□□-2N H□R

Gearbox size	Drive size							
	1A	1B 2B	□C	□D	1E 2E 3E	4E	1F 2F	3F
04	7.8	8.4	12					
05		13	16	19	21	24		
06		21	24	27	29	33	31	35

Weights in [kg] with oil capacity for mounting position A. All data is approximate.  
 Note the additional weights on page 5-7.



### Gearbox additional weights

Gearbox size	Solid shaft V□□	Second output shaft end V□□	Hollow shaft with shrink disc S□□	Flange □AK	Torque plate threaded pitch circle	Torque plate housing foot
<b>04</b>	0.3	0.1	0.3	0.5	0.4	
<b>05</b>	1.0	0.3	0.8	1.0	1.3	2.0
<b>06</b>	1.7	0.5	1.0	1.0	2.1	3.7

Weights in [kg]

## Bevel gearbox selection tables

Geared motors for Atex category 2G, 2D, 3G, 3D (zone 1, 21, 2, 22)

50 Hz			i	Bevel geared motor	Consultation required for mounting position
n <sub>2</sub> [rpm]	M <sub>2</sub> [Nm]	c			
<b>P<sub>1</sub> = 0.12 kW</b>					
121	9	5.2	11.449	GKR04 - 2M□□□ 063-12	
109	10	4.8	12.698	GKR04 - 2M□□□ 063-12	
95	12	4.8	14.603	GKR04 - 2M□□□ 063-12	
71	15	5.3	19.556	GKR04 - 2M□□□ 063-12	
61	18	5.1	22.489	GKR04 - 2M□□□ 063-12	
55	20	4.4	25.185	GKR04 - 2M□□□ 063-12	
48	23	3.9	28.963	GKR04 - 2M□□□ 063-12	
43	25	3.6	31.919	GKR04 - 2M□□□ 063-12	
38	29	3.1	36.707	GKR04 - 2M□□□ 063-12	
35	32	2.9	40.000	GKR04 - 2M□□□ 063-12	
30	36	2.5	46.000	GKR04 - 2M□□□ 063-12	
26	42	1.7	52.698	GKR04 - 2M□□□ 063-12	
23	48	1.7	60.603	GKR04 - 2M□□□ 063-12	
<b>P<sub>1</sub> = 0.18 kW</b>					
120	14	3.5	11.449	GKR04 - 2M□□□ 063-32	
108	15	3.2	12.698	GKR04 - 2M□□□ 063-32	
94	17	3.2	14.603	GKR04 - 2M□□□ 063-32	
70	23	3.5	19.556	GKR04 - 2M□□□ 063-32	
61	27	3.4	22.489	GKR04 - 2M□□□ 063-32	
54	30	2.9	25.185	GKR04 - 2M□□□ 063-32	
47	35	2.6	28.963	GKR04 - 2M□□□ 063-32	
43	38	2.4	31.919	GKR04 - 2M□□□ 063-32	
37	44	2.1	36.707	GKR04 - 2M□□□ 063-32	
34	48	1.9	40.000	GKR04 - 2M□□□ 063-32	
30	55	1.6	46.000	GKR04 - 2M□□□ 063-32	
26	63	1.1	52.698	GKR04 - 2M□□□ 063-32	
23	72	1.1	60.603	GKR04 - 2M□□□ 063-32	
<b>P<sub>1</sub> = 0.25 kW</b>					
260	9	5.6	5.185	GKR04 - 2M□□□ 071-12	
226	10	5.6	5.963	GKR04 - 2M□□□ 071-12	
190	12	5.1	7.111	GKR04 - 2M□□□ 071-12	
165	14	4.7	8.178	GKR04 - 2M□□□ 071-12	
148	15	4.3	9.101	GKR04 - 2M□□□ 071-12	
129	18	4.0	10.466	GKR04 - 2M□□□ 071-12	
118	19	3.7	11.449	GKR04 - 2M□□□ 071-12	
106	21	3.5	12.698	GKR04 - 2M□□□ 071-12	
102	22	5.6	13.216	GKR05 - 2M□□□ 071-12	
92	25	3.2	14.603	GKR04 - 2M□□□ 071-12	
90	25	5.6	15.008	GKR05 - 2M□□□ 071-12	
87	26	3.1	15.556	GKR04 - 2M□□□ 071-12	
76	30	2.8	17.889	GKR04 - 2M□□□ 071-12	
69	33	2.7	19.556	GKR04 - 2M□□□ 071-12	
60	38	2.4	22.489	GKR04 - 2M□□□ 071-12	
54	42	2.1	25.185	GKR04 - 2M□□□ 071-12	
47	49	1.9	28.963	GKR04 - 2M□□□ 071-12	
44	51	4.5	30.522	GKR05 - 2M□□□ 071-12	
42	54	1.7	31.919	GKR04 - 2M□□□ 071-12	
37	62	1.5	36.707	GKR04 - 2M□□□ 071-12	
34	67	1.3	40.000	GKR04 - 2M□□□ 071-12	
29	77	1.2	46.000	GKR04 - 2M□□□ 071-12	
28	83	2.9	49.133	GKR05 - 2M□□□ 071-12	
26	88	2.7	52.510	GKR05 - 2M□□□ 071-12	
25	92	3.9	54.513	GKR06 - 2M□□□ 071-12	
23	100	2.4	59.630	GKR05 - 2M□□□ 071-12	
22	105	3.2	62.500	GKR06 - 2M□□□ 071-12	
20	113	1.6	67.113	GKR05 - 2M□□□ 071-12	
20	116	3.2	68.906	GKR06 - 2M□□□ 071-12	
18	128	1.6	76.213	GKR05 - 2M□□□ 071-12	
<b>P<sub>1</sub> = 0.37 kW</b>					
260	13	3.8	5.185	GKR04 - 2M□□□ 071-32	
226	15	3.8	5.963	GKR04 - 2M□□□ 071-32	
190	18	3.5	7.111	GKR04 - 2M□□□ 071-32	
165	20	3.1	8.178	GKR04 - 2M□□□ 071-32	

For dimensions, see page 5-26 onwards.

# Bevel gearbox selection tables

Geared motors for Atex category 2G, 2D, 3G, 3D (zone 1, 21, 2, 22)



50 Hz			i	Bevel geared motor	Consultation required for mounting position
n <sub>2</sub> [rpm]	M <sub>2</sub> [Nm]	c			

## P<sub>1</sub> = 0.37 kW

148	23	2.9	9.101	GKR04 - 2M□□□ 071-32	
129	26	2.7	10.466	GKR04 - 2M□□□ 071-32	
118	29	2.5	11.449	GKR04 - 2M□□□ 071-32	
106	32	2.4	12.698	GKR04 - 2M□□□ 071-32	
102	33	3.8	13.216	GKR05 - 2M□□□ 071-32	
92	36	2.2	14.603	GKR04 - 2M□□□ 071-32	
90	37	3.8	15.008	GKR05 - 2M□□□ 071-32	
87	39	2.1	15.556	GKR04 - 2M□□□ 071-32	
76	45	1.9	17.889	GKR04 - 2M□□□ 071-32	
69	49	1.8	19.556	GKR04 - 2M□□□ 071-32	
60	56	1.6	22.489	GKR04 - 2M□□□ 071-32	
54	63	1.4	25.185	GKR04 - 2M□□□ 071-32	
47	72	1.3	28.963	GKR04 - 2M□□□ 071-32	
44	76	3.0	30.522	GKR05 - 2M□□□ 071-32	
42	79	1.1	31.919	GKR04 - 2M□□□ 071-32	
40	83	2.9	33.433	GKR05 - 2M□□□ 071-32	
36	94	2.5	37.967	GKR05 - 2M□□□ 071-32	
33	101	3.0	40.741	GKR06 - 2M□□□ 071-32	
31	108	2.2	43.267	GKR05 - 2M□□□ 071-32	
30	112	3.0	44.917	GKR06 - 2M□□□ 071-32	
28	122	2.0	49.133	GKR05 - 2M□□□ 071-32	
27	123	2.7	49.444	GKR06 - 2M□□□ 071-32	
26	131	1.8	52.510	GKR05 - 2M□□□ 071-32	
25	136	2.7	54.513	GKR06 - 2M□□□ 071-32	
23	148	1.6	59.630	GKR05 - 2M□□□ 071-32	
22	155	2.1	62.500	GKR06 - 2M□□□ 071-32	
20	167	1.1	67.113	GKR05 - 2M□□□ 071-32	
20	171	2.1	68.906	GKR06 - 2M□□□ 071-32	
18	190	1.1	76.213	GKR05 - 2M□□□ 071-32	

## P<sub>1</sub> = 0.55 kW

264	19	2.9	5.185	GKR04 - 2M□□□ 080-12	
230	22	2.6	5.963	GKR04 - 2M□□□ 080-12	
219	23	5.5	6.257	GKR05 - 2M□□□ 080-12	
193	26	2.4	7.111	GKR04 - 2M□□□ 080-12	
168	30	2.1	8.178	GKR04 - 2M□□□ 080-12	
151	33	2.0	9.101	GKR04 - 2M□□□ 080-12	
131	38	1.8	10.466	GKR04 - 2M□□□ 080-12	
120	42	1.7	11.449	GKR04 - 2M□□□ 080-12	
108	46	1.6	12.698	GKR04 - 2M□□□ 080-12	
104	48	3.9	13.216	GKR05 - 2M□□□ 080-12	
94	53	1.5	14.603	GKR04 - 2M□□□ 080-12	
91	55	3.4	15.008	GKR05 - 2M□□□ 080-12	
88	57	1.4	15.556	GKR04 - 2M□□□ 080-12	
77	65	1.3	17.889	GKR04 - 2M□□□ 080-12	
72	70	2.8	19.143	GKR05 - 2M□□□ 080-12	
70	71	1.2	19.556	GKR04 - 2M□□□ 080-12	
66	75	2.9	20.650	GKR05 - 2M□□□ 080-12	
61	82	1.1	22.489	GKR04 - 2M□□□ 080-12	
58	85	2.5	23.450	GKR05 - 2M□□□ 080-12	
51	98	2.4	26.878	GKR05 - 2M□□□ 080-12	
49	102	4.2	27.903	GKR06 - 2M□□□ 080-12	
45	111	2.1	30.522	GKR05 - 2M□□□ 080-12	
44	115	3.8	31.481	GKR06 - 2M□□□ 080-12	
41	122	2.0	33.433	GKR05 - 2M□□□ 080-12	
36	138	1.7	37.967	GKR05 - 2M□□□ 080-12	
34	148	3.0	40.741	GKR06 - 2M□□□ 080-12	
32	158	1.5	43.267	GKR05 - 2M□□□ 080-12	
31	164	2.8	44.917	GKR06 - 2M□□□ 080-12	
28	179	1.3	49.133	GKR05 - 2M□□□ 080-12	
28	180	2.5	49.444	GKR06 - 2M□□□ 080-12	
26	191	1.3	52.510	GKR05 - 2M□□□ 080-12	
25	199	2.3	54.513	GKR06 - 2M□□□ 080-12	
23	217	1.1	59.630	GKR05 - 2M□□□ 080-12	
22	228	1.7	62.500	GKR06 - 2M□□□ 080-12	
20	251	1.7	68.906	GKR06 - 2M□□□ 080-12	

For dimensions, see page 5-26 onwards.

# Bevel gearbox selection tables

Geared motors for Atex category 2G, 2D, 3G, 3D (zone 1, 21, 2, 22)

50 Hz			i	Bevel geared motor	Consultation required for mounting position
n <sub>2</sub> [rpm]	M <sub>2</sub> [Nm]	c			

## P<sub>1</sub> = 0.75 kW

264	26	2.1	5.185	GKR04 - 2M□□□ 080-32	
230	30	1.9	5.963	GKR04 - 2M□□□ 080-32	
219	31	4.0	6.257	GKR05 - 2M□□□ 080-32	
193	35	1.7	7.111	GKR04 - 2M□□□ 080-32	
168	41	1.6	8.178	GKR04 - 2M□□□ 080-32	
151	45	1.5	9.101	GKR04 - 2M□□□ 080-32	
131	52	1.3	10.466	GKR04 - 2M□□□ 080-32	
120	57	1.3	11.449	GKR04 - 2M□□□ 080-32	
113	60	3.1	12.081	GKR05 - 2M□□□ 080-32	
108	63	1.2	12.698	GKR04 - 2M□□□ 080-32	
104	66	2.9	13.216	GKR05 - 2M□□□ 080-32	
100	68	2.7	13.719	GKR05 - 2M□□□ 080-32	
94	73	1.1	14.603	GKR04 - 2M□□□ 080-32	
91	75	2.5	15.008	GKR05 - 2M□□□ 080-32	
88	77	1.0	15.556	GKR04 - 2M□□□ 080-32	
81	84	2.4	16.857	GKR05 - 2M□□□ 080-32	
72	95	2.1	19.143	GKR05 - 2M□□□ 080-32	
66	103	2.1	20.650	GKR05 - 2M□□□ 080-32	
58	117	1.8	23.450	GKR05 - 2M□□□ 080-32	
51	134	1.7	26.878	GKR05 - 2M□□□ 080-32	
49	139	3.1	27.903	GKR06 - 2M□□□ 080-32	
45	152	1.5	30.522	GKR05 - 2M□□□ 080-32	
44	156	2.8	31.481	GKR06 - 2M□□□ 080-32	
41	166	1.4	33.433	GKR05 - 2M□□□ 080-32	
40	172	2.6	34.708	GKR06 - 2M□□□ 080-32	
36	189	1.3	37.967	GKR05 - 2M□□□ 080-32	
34	202	2.2	40.741	GKR06 - 2M□□□ 080-32	
32	215	1.1	43.267	GKR05 - 2M□□□ 080-32	
31	223	2.0	44.917	GKR06 - 2M□□□ 080-32	
28	246	1.8	49.444	GKR06 - 2M□□□ 080-32	
25	271	1.7	54.513	GKR06 - 2M□□□ 080-32	
22	310	1.2	62.500	GKR06 - 2M□□□ 080-32	
20	342	1.2	68.906	GKR06 - 2M□□□ 080-32	

## P<sub>1</sub> = 1.1 kW

394	25	5.2	3.565	GKR05 - 2M□□□ 090-12	
271	37	1.5	5.185	GKR04 - 2M□□□ 090-12	
236	42	1.3	5.963	GKR04 - 2M□□□ 090-12	
225	44	3.5	6.257	GKR05 - 2M□□□ 090-12	
204	49	3.2	6.883	GKR05 - 2M□□□ 090-12	
198	51	1.2	7.111	GKR04 - 2M□□□ 090-12	
180	56	2.7	7.817	GKR05 - 2M□□□ 090-12	
172	58	1.1	8.178	GKR04 - 2M□□□ 090-12	
154	65	1.0	9.101	GKR04 - 2M□□□ 090-12	
149	67	2.5	9.440	GKR05 - 2M□□□ 090-12	
131	76	2.2	10.720	GKR05 - 2M□□□ 090-12	
124	81	4.4	11.376	GKR06 - 2M□□□ 090-12	
116	86	2.1	12.081	GKR05 - 2M□□□ 090-12	
106	94	2.0	13.216	GKR05 - 2M□□□ 090-12	
102	97	1.9	13.719	GKR05 - 2M□□□ 090-12	
94	107	1.7	15.008	GKR05 - 2M□□□ 090-12	
83	120	1.7	16.857	GKR05 - 2M□□□ 090-12	
80	124	3.0	17.500	GKR06 - 2M□□□ 090-12	
73	136	1.5	19.143	GKR05 - 2M□□□ 090-12	
72	138	3.0	19.444	GKR06 - 2M□□□ 090-12	
68	147	1.5	20.650	GKR05 - 2M□□□ 090-12	
66	152	2.6	21.438	GKR06 - 2M□□□ 090-12	
60	167	1.3	23.450	GKR05 - 2M□□□ 090-12	
56	180	2.5	25.309	GKR06 - 2M□□□ 090-12	
52	191	1.2	26.878	GKR05 - 2M□□□ 090-12	
50	198	2.1	27.903	GKR06 - 2M□□□ 090-12	
46	217	1.1	30.522	GKR05 - 2M□□□ 090-12	
45	224	2.0	31.481	GKR06 - 2M□□□ 090-12	
42	238	1.0	33.433	GKR05 - 2M□□□ 090-12	
41	247	1.8	34.708	GKR06 - 2M□□□ 090-12	
35	289	1.6	40.741	GKR06 - 2M□□□ 090-12	
31	319	1.4	44.917	GKR06 - 2M□□□ 090-12	
28	351	1.3	49.444	GKR06 - 2M□□□ 090-12	
26	387	1.2	54.513	GKR06 - 2M□□□ 090-12	

For dimensions, see page 5-26 onwards.

# Bevel gearbox selection tables

Geared motors for Atex category 2G, 2D, 3G, 3D (zone 1, 21, 2, 22)



50 Hz			i	Bevel geared motor	Consultation required for mounting position
n <sub>2</sub> [rpm]	M <sub>2</sub> [Nm]	c			

## P<sub>1</sub> = 1.5 kW

397	34	3.8	3.565	GKR05 - 2M□□□ 090-32	
289	47	3.1	4.889	GKR05 - 2M□□□ 090-32	
273	50	1.1	5.185	GKR04 - 2M□□□ 090-32	
226	60	2.6	6.257	GKR05 - 2M□□□ 090-32	
206	66	2.3	6.883	GKR05 - 2M□□□ 090-32	
181	75	2.0	7.817	GKR05 - 2M□□□ 090-32	
150	91	1.9	9.440	GKR05 - 2M□□□ 090-32	
132	103	1.6	10.720	GKR05 - 2M□□□ 090-32	
124	109	3.3	11.376	GKR06 - 2M□□□ 090-32	
117	116	1.6	12.081	GKR05 - 2M□□□ 090-32	
114	120	3.1	12.444	GKR06 - 2M□□□ 090-32	
107	127	1.5	13.216	GKR05 - 2M□□□ 090-32	
103	132	2.6	13.720	GKR06 - 2M□□□ 090-32	
103	132	1.4	13.719	GKR05 - 2M□□□ 090-32	
94	144	1.3	15.008	GKR05 - 2M□□□ 090-32	
89	153	2.6	15.873	GKR06 - 2M□□□ 090-32	
84	162	1.3	16.857	GKR05 - 2M□□□ 090-32	
81	168	2.2	17.500	GKR06 - 2M□□□ 090-32	
74	184	1.1	19.143	GKR05 - 2M□□□ 090-32	
73	187	2.2	19.444	GKR06 - 2M□□□ 090-32	
69	199	1.1	20.650	GKR05 - 2M□□□ 090-32	
66	206	1.9	21.438	GKR06 - 2M□□□ 090-32	
56	243	1.8	25.309	GKR06 - 2M□□□ 090-32	
51	268	1.6	27.903	GKR06 - 2M□□□ 090-32	
45	303	1.5	31.481	GKR06 - 2M□□□ 090-32	
41	334	1.3	34.708	GKR06 - 2M□□□ 090-32	
35	392	1.1	40.741	GKR06 - 2M□□□ 090-32	
32	432	1.0	44.917	GKR06 - 2M□□□ 090-32	

## P<sub>1</sub> = 2.2 kW

400	50	2.6	3.565	GKR05 - 2M□□□ 100-12	
292	69	2.1	4.889	GKR05 - 2M□□□ 100-12	
228	88	1.8	6.257	GKR05 - 2M□□□ 100-12	
207	96	1.6	6.883	GKR05 - 2M□□□ 100-12	
199	100	2.9	7.146	GKR06 - 2M□□□ 100-12	
182	110	1.4	7.817	GKR05 - 2M□□□ 100-12	
160	125	2.7	8.889	GKR06 - 2M□□□ 100-12	
151	132	1.3	9.440	GKR05 - 2M□□□ 100-12	
145	137	2.3	9.800	GKR06 - 2M□□□ 100-12	
133	150	1.1	10.720	GKR05 - 2M□□□ 100-12	
125	159	2.2	11.376	GKR06 - 2M□□□ 100-12	
118	169	1.1	12.081	GKR05 - 2M□□□ 100-12	
115	174	2.1	12.444	GKR06 - 2M□□□ 100-12	
108	185	1.0	13.216	GKR05 - 2M□□□ 100-12	
104	192	1.8	13.720	GKR06 - 2M□□□ 100-12	
90	222	1.8	15.873	GKR06 - 2M□□□ 100-12	
81	245	1.5	17.500	GKR06 - 2M□□□ 100-12	
73	272	1.5	19.444	GKR06 - 2M□□□ 100-12	
67	300	1.3	21.438	GKR06 - 2M□□□ 100-12	
56	355	1.3	25.309	GKR06 - 2M□□□ 100-12	
51	391	1.1	27.903	GKR06 - 2M□□□ 100-12	
45	441	1.0	31.481	GKR06 - 2M□□□ 100-12	

## P<sub>1</sub> = 3.0 kW

412	66	3.0	3.431	GKR06 - 2M□□□ 100-32	
397	69	1.9	3.565	GKR05 - 2M□□□ 100-32	
301	91	2.8	4.706	GKR06 - 2M□□□ 100-32	
289	94	1.5	4.889	GKR05 - 2M□□□ 100-32	
235	116	2.4	6.022	GKR06 - 2M□□□ 100-32	
226	120	1.3	6.257	GKR05 - 2M□□□ 100-32	
218	125	2.4	6.481	GKR06 - 2M□□□ 100-32	
206	132	1.2	6.883	GKR05 - 2M□□□ 100-32	
198	137	2.1	7.146	GKR06 - 2M□□□ 100-32	
181	150	1.0	7.817	GKR05 - 2M□□□ 100-32	
159	171	1.9	8.889	GKR06 - 2M□□□ 100-32	
144	189	1.7	9.800	GKR06 - 2M□□□ 100-32	
124	219	1.6	11.376	GKR06 - 2M□□□ 100-32	
114	239	1.5	12.444	GKR06 - 2M□□□ 100-32	

For dimensions, see page 5-26 onwards.

## Bevel gearbox selection tables

Geared motors for Atex category 2G, 2D, 3G, 3D (zone 1, 21, 2, 22)

50 Hz			i	Bevel geared motor	Consultation required for mounting position
n <sub>2</sub> [rpm]	M <sub>2</sub> [Nm]	c			
<b>P<sub>1</sub> = 3.0 kW</b>					
103	264	1.3	13.720	GKR06 - 2M□□□ 100-32	
89	305	1.3	15.873	GKR06 - 2M□□□ 100-32	
81	337	1.1	17.500	GKR06 - 2M□□□ 100-32	
73	374	1.1	19.444	GKR06 - 2M□□□ 100-32	
<b>P<sub>1</sub> = 4.0 kW</b>					
417	87	2.3	3.431	GKR06 - 2M□□□ 112-22	
304	119	2.1	4.706	GKR06 - 2M□□□ 112-22	
237	153	1.8	6.022	GKR06 - 2M□□□ 112-22	
221	165	1.9	6.481	GKR06 - 2M□□□ 112-22	
200	181	1.6	7.146	GKR06 - 2M□□□ 112-22	
161	226	1.5	8.889	GKR06 - 2M□□□ 112-22	
146	249	1.3	9.800	GKR06 - 2M□□□ 112-22	
126	289	1.2	11.376	GKR06 - 2M□□□ 112-22	
115	316	1.2	12.444	GKR06 - 2M□□□ 112-22	

For dimensions, see page 5-26 onwards.





# Bevel gearbox selection tables

Gearboxes with mounting flange for Atex category 2GD, 3GD (Zone 1, 21, 2, 22)

$M_2 \text{ perm} \leq 90 \text{ Nm}$		GKR04-2N □□□							
Gearbox with	Mounting flange size Motor frame size Flange diameter	i	$P_1 \text{ perm}$ [kW]	$M_2 \text{ perm}$ [Nm]	$n_2$ [rpm]	Temperature class			
						T3 (G) $\cong$ 190 °C (D) T4 (G) $\cong$ 125 °C (D)			
						Mounting position			
						A, B, E, F	C	D	
<b><math>n_1 = 2800 \text{ rpm}</math></b>									
GKR04-2N □□□	1A	11.449	1.03	38	245	T4	T3	-	
	63	12.698	0.96	39	221	T4	T4	-	
	90	14.603	0.96	45	192	T4	T4	-	
		19.556	1.05	67	143	T4	T4	-	
		22.489	1.00	73	125	T4	T4	-	
		25.185	1.00	81	111	T4	T4	-	
		28.963	0.88	83	97	T4	T4	-	
		31.919	0.80	83	88	T4	T4	-	
		36.707	0.70	83	76	T4	T4	-	
		40.000	0.64	83	70	T4	T4	-	
		46.000	0.60	90	61	T4	T4	-	
		52.698	0.40	69	53	T4	T4	-	
		60.603	0.40	79	46	T4	T4	-	
	GKR04-2N □□□	□B	5.185	2.23	38	540	T3	T3	-
		1B 2B	5.963	2.23	43	470	T3	T3	-
		71 63	7.111	2.15	50	394	T3	T3	-
105 90		8.178	1.96	52	342	T3	T3	-	
		9.101	1.83	54	308	T3	T3	-	
		10.466	1.67	57	268	T3	T3	-	
		11.449	1.58	58	245	T4	T3	-	
		12.698	1.48	61	221	T4	T3	-	
		14.603	1.34	64	192	T4	T3	-	
		15.556	1.29	65	180	T4	T4	-	
		17.889	1.18	68	157	T4	T4	-	
		19.556	1.12	71	143	T4	T4	-	
		22.489	1.00	73	125	T4	T4	-	
		25.185	1.02	83	111	T4	T4	-	
		28.963	0.88	83	97	T4	T4	-	
GKR04-2N □□□		□C	5.185	2.62	44	540	T3	T3	-
	1C 2C 3C 4C 6C 7C	5.963	2.39	46	470	T3	T3	-	
	80 71 71 71 63 80	7.111	2.15	50	394	T3	T3	-	
	160 160 105 120 160 120	8.178	1.96	52	342	T3	T3	-	
		9.101	1.83	54	308	T3	T3	-	
		10.466	1.67	57	268	T3	T3	-	
		11.449	1.58	58	245	T3	T3	-	
		12.698	1.48	61	221	T4	T3	-	
		14.603	1.34	64	192	T4	T3	-	
		15.556	1.29	65	180	T4	T3	-	
		17.889	1.18	68	157	T4	T3	-	
		19.556	1.12	71	143	T4	T4	-	
		22.489	1.00	73	125	T4	T4	-	
		25.185	1.02	83	111	T4	T4	-	
		28.963	0.88	83	97	T4	T4	-	
	GKR04-2N □□□	□D	5.185	2.62	44	540	T3	T3	-
1D 2D		5.963	2.39	46	470	T3	T3	-	
90 80		7.111	2.15	50	394	T3	T3	-	
160 160		8.178	1.96	52	342	T3	T3	-	
		9.101	1.83	54	308	T3	T3	-	
		10.466	1.67	57	268	T3	T3	-	
		11.449	1.58	58	245	T3	T3	-	
		12.698	1.48	61	221	T4	T3	-	
		14.603	1.34	64	192	T4	T3	-	
		15.556	1.29	65	180	T4	T3	-	
		17.889	1.18	68	157	T4	T3	-	

For dimensions, see page 5-30 onwards.

# Bevel gearbox selection tables

Gearboxes with mounting flange for Atex category 2GD, 3GD (Zone 1, 21, 2, 22)



$M_2 \text{ perm} \leq 90 \text{ Nm}$		GKR04-2N □□□							
Gearbox with	Mounting flange size Motor frame size Flange diameter	i	$P_1 \text{ perm}$ [kW]	$M_2 \text{ perm}$ [Nm]	$n_2$ [rpm]	Temperature class			
						T3 (G) $\cong$ 190 °C (D) T4 (G) $\cong$ 125 °C (D)			
						Mounting position			
						A, B, E, F	C	D	
<b><math>n_1 = 1400 \text{ rpm}</math></b>									
GKR04-2N □□□	1A	11.449	0.63	47	122	T4	T4	T4	
	63	12.698	0.59	49	110	T4	T4	T4	
	90	14.603	0.59	56	96	T4	T4	T4	
		19.556	0.65	82	72	T4	T4	T4	
		22.489	0.62	90	62	T4	T4	T4	
		25.185	0.54	88	56	T4	T4	T4	
		28.963	0.48	90	48	T4	T4	T4	
		31.919	0.44	90	44	T4	T4	T4	
		36.707	0.38	90	38	T4	T4	T4	
		40.000	0.35	90	35	T4	T4	T4	
		46.000	0.30	90	30	T4	T4	T4	
		52.698	0.20	69	27	T4	T4	T4	
		60.603	0.20	79	23	T4	T4	T4	
	GKR04-2N □□□	□B	5.185	1.37	46	270	T4	T4	T4
		1B 2B	5.963	1.37	53	235	T4	T4	T4
71 63		7.111	1.32	61	197	T4	T4	T4	
105 90		8.178	1.21	64	171	T4	T4	T4	
		9.101	1.13	66	154	T4	T4	T4	
		10.466	1.03	70	134	T4	T4	T4	
		11.449	0.97	72	122	T4	T4	T4	
		12.698	0.91	75	110	T4	T4	T4	
		14.603	0.83	78	96	T4	T4	T4	
		15.556	0.80	80	90	T4	T4	T4	
		17.889	0.73	84	78	T4	T4	T4	
		19.556	0.69	87	72	T4	T4	T4	
		22.489	0.62	90	62	T4	T4	T4	
		25.185	0.55	90	56	T4	T4	T4	
GKR04-2N □□□		□C	5.185	1.61	54	270	T4	T4	T4
	1C 2C 3C 4C 6C 7C	5.963	1.47	57	235	T4	T4	T4	
	80 71 71 71 63 80	7.111	1.32	61	197	T4	T4	T4	
	160 160 105 120 160 120	8.178	1.21	64	171	T4	T4	T4	
		9.101	1.13	66	154	T4	T4	T4	
		10.466	1.03	70	134	T4	T4	T4	
		11.449	0.97	72	122	T4	T4	T4	
		12.698	0.91	75	110	T4	T4	T4	
		14.603	0.83	78	96	T4	T4	T4	
		15.556	0.80	80	90	T4	T4	T4	
		17.889	0.73	84	78	T4	T4	T4	
		19.556	0.69	87	72	T4	T4	T4	
		22.489	0.62	90	62	T4	T4	T4	
		25.185	0.55	90	56	T4	T4	T4	
		28.963	0.48	90	48	T4	T4	T4	
GKR04-2N □□□	□D	5.185	1.61	54	270	T4	T4	T4	
	1D 2D	5.963	1.47	57	235	T4	T4	T4	
	90 80	7.111	1.32	61	197	T4	T4	T4	
	160 160	8.178	1.21	64	171	T4	T4	T4	
		9.101	1.13	66	154	T4	T4	T4	
		10.466	1.03	70	134	T4	T4	T4	
		11.449	0.97	72	122	T4	T4	T4	
		12.698	0.91	75	110	T4	T4	T4	
		14.603	0.83	78	96	T4	T4	T4	
		15.556	0.80	80	90	T4	T4	T4	
		17.889	0.73	84	78	T4	T4	T4	

For dimensions, see page 5-30 onwards.

# Bevel gearbox selection tables

Gearboxes with mounting flange for Atex category 2GD, 3GD (Zone 1, 21, 2, 22)

$M_2 \text{ perm} \leq 90 \text{ Nm}$		GKR04-2N □□□							
Gearbox with	Mounting flange size Motor frame size Flange diameter	i	$P_1 \text{ perm}$ [kW]	$M_2 \text{ perm}$ [Nm]	$n_2$ [rpm]	Temperature class			
						T3 (G) $\cong$ 190 °C (D) T4 (G) $\cong$ 125 °C (D)			
						Mounting position			
						A, B, E, F	C	D	
<b><math>n_1 = 700 \text{ rpm}</math></b>									
GKR04-2N □□□	1A	11.449	0.32	47	61	T4	T4	T4	
	63	12.698	0.30	49	55	T4	T4	T4	
	90	14.603	0.30	56	48	T4	T4	T4	
		19.556	0.32	82	36	T4	T4	T4	
		22.489	0.31	90	31	T4	T4	T4	
		25.185	0.27	88	28	T4	T4	T4	
		28.963	0.24	90	24	T4	T4	T4	
		31.919	0.22	90	22	T4	T4	T4	
		36.707	0.19	90	19	T4	T4	T4	
		40.000	0.17	90	18	T4	T4	T4	
		46.000	0.15	90	15	T4	T4	T4	
		52.698	0.10	69	13	T4	T4	T4	
		60.603	0.10	79	12	T4	T4	T4	
	GKR04-2N □□□	□B	5.185	0.72	49	135	T4	T4	T4
		1B 2B	5.963	0.72	56	117	T4	T4	T4
		71 63	7.111	0.66	61	98	T4	T4	T4
		105 90	8.178	0.60	64	86	T4	T4	T4
		9.101	0.56	66	77	T4	T4	T4	
		10.466	0.51	70	67	T4	T4	T4	
		11.449	0.49	72	61	T4	T4	T4	
		12.698	0.46	75	55	T4	T4	T4	
		14.603	0.41	78	48	T4	T4	T4	
		15.556	0.40	80	45	T4	T4	T4	
		17.889	0.36	84	39	T4	T4	T4	
		19.556	0.34	87	36	T4	T4	T4	
		22.489	0.31	90	31	T4	T4	T4	
		25.185	0.28	90	28	T4	T4	T4	
		28.963	0.24	90	24	T4	T4	T4	
GKR04-2N □□□		□C	5.185	0.81	54	135	T4	T4	T4
		1C 2C 3C 4C 6C 7C	5.963	0.74	57	117	T4	T4	T4
	80 71 71 71 63 80	7.111	0.66	61	98	T4	T4	T4	
	160 160 105 120 160 120	8.178	0.60	64	86	T4	T4	T4	
		9.101	0.56	66	77	T4	T4	T4	
		10.466	0.51	70	67	T4	T4	T4	
		11.449	0.49	72	61	T4	T4	T4	
		12.698	0.46	75	55	T4	T4	T4	
		14.603	0.41	78	48	T4	T4	T4	
		15.556	0.40	80	45	T4	T4	T4	
		17.889	0.36	84	39	T4	T4	T4	
		19.556	0.34	87	36	T4	T4	T4	
		22.489	0.31	90	31	T4	T4	T4	
		25.185	0.28	90	28	T4	T4	T4	
		28.963	0.24	90	24	T4	T4	T4	
	GKR04-2N □□□	□D	5.185	0.81	54	135	T4	T4	T4
		1D 2D	5.963	0.74	57	117	T4	T4	T4
90 80		7.111	0.66	61	98	T4	T4	T4	
160 160		8.178	0.60	64	86	T4	T4	T4	
		9.101	0.56	66	77	T4	T4	T4	
		10.466	0.51	70	67	T4	T4	T4	
		11.449	0.49	72	61	T4	T4	T4	
		12.698	0.46	75	55	T4	T4	T4	
		14.603	0.41	78	48	T4	T4	T4	
		15.556	0.40	80	45	T4	T4	T4	
		17.889	0.36	84	39	T4	T4	T4	

For dimensions, see page 5-30 onwards.

# Bevel gearbox selection tables

Gearboxes with mounting flange for Atex category 2GD, 3GD (Zone 1, 21, 2, 22)



$M_2 \text{ perm} \leq 240 \text{ Nm}$		GKR05-2N □□□							
Gearbox with	Mounting flange size Motor frame size Flange diameter	i	$P_1 \text{ perm}$ [kW]	$M_2 \text{ perm}$ [Nm]	$n_2$ [rpm]	Temperature class			
						T3 (G) $\cong$ 190 °C (D) T4 (G) $\cong$ 125 °C (D)			
						Mounting position			
						A, B, E, F	C	D	
<b><math>n_1 = 2800 \text{ rpm}</math></b>									
GKR05-2N □□□	1B	13.216	2.23	96	212	T3	T3	-	
	71	15.008	2.23	109	187	T3	T3	-	
	105	16.857	1.97	108	166	T3	T3	-	
		19.143	1.97	123	146	T3	T3	-	
		26.878	1.55	135	104	T4	T4	-	
		30.522	1.55	153	92	T4	T4	-	
		33.433	1.30	140	84	T4	T4	-	
		37.967	1.30	159	74	T4	T4	-	
		43.267	1.13	158	65	T4	T4	-	
		49.133	1.13	179	57	T4	T4	-	
		52.510	0.94	160	53	T4	T4	-	
		59.630	0.94	182	47	T4	T4	-	
		67.112	0.75	164	42	T4	T4	-	
		76.213	0.75	186	37	T4	T4	-	
	GKR05-2N □□□ □C	1C 2C 3C 4C 6C 7C	6.257	3.04	62	448	T3	T3	-
		80 71 71 71 63 80	12.081	3.04	119	232	T3	T3	-
160 160 105 120 160 120		13.216	3.04	130	212	T3	T3	-	
		13.719	3.04	135	204	T3	T3	-	
		15.008	3.04	148	187	T3	T3	-	
		16.857	3.02	165	166	T3	T3	-	
		19.143	2.60	161	146	T3	T3	-	
		20.650	2.62	176	136	T4	T3	-	
		23.450	2.25	171	119	T4	T3	-	
		26.878	2.43	212	104	T4	T3	-	
		30.522	2.13	211	92	T4	T3	-	
		33.433	2.03	220	84	T4	T4	-	
		37.967	1.80	221	74	T4	T4	-	
		43.267	1.71	240	65	T4	T4	-	
		49.133	1.51	240	57	T4	T4	-	
		52.510	1.41	240	53	T4	T4	-	
	59.630	1.24	240	47	T4	T4	-		
GKR05-2N □□□ □D	1D 2D	3.565	3.75	43	786	T3	T3	-	
	90 80	4.889	3.75	59	573	T3	T3	-	
	160 160	6.257	3.75	76	448	T3	T3	-	
		6.883	3.75	84	407	T3	T3	-	
		7.817	3.75	95	358	T3	T3	-	
		9.440	3.75	115	297	T3	T3	-	
		10.720	3.75	130	261	T3	T3	-	
		12.081	3.75	147	232	T3	T3	-	
		13.216	3.59	154	212	T3	T3	-	
		13.719	3.30	147	204	T3	T3	-	
		15.008	3.08	150	187	T3	T3	-	
		16.857	3.02	165	166	T3	T3	-	
		19.143	2.60	161	146	T3	T3	-	
		20.650	2.62	176	136	T4	T3	-	
		23.450	2.25	171	119	T4	T3	-	
		26.878	2.47	215	104	T4	T3	-	
	30.522	2.13	211	92	T4	T3	-		
	33.433	2.04	221	84	T4	T4	-		
	37.967	1.80	221	74	T4	T4	-		
GKR05-2N □□□ □E	1E 1E 2E 3E 4E	3.565	7.47	86	786	T3	T3	-	
	100 112 90 80 90	4.889	7.45	118	573	T3	T3	-	
	160 160 160 160 200	6.257	6.24	126	448	T3	T3	-	
		6.883	5.63	125	407	T3	T3	-	
		7.817	4.88	124	358	T3	T3	-	
		9.440	4.52	138	297	T3	T3	-	
		10.720	3.90	136	261	T3	T3	-	
		12.081	3.82	150	232	T3	T3	-	
		13.216	3.59	154	212	T3	T3	-	

For dimensions, see page 5-30 onwards.

# Bevel gearbox selection tables

Gearboxes with mounting flange for Atex category 2GD, 3GD (Zone 1, 21, 2, 22)

$M_2 \text{ perm} \leq 240 \text{ Nm}$						GKR05-2N □□□						
Gearbox with	Mounting flange size Motor frame size Flange diameter					i	$P_1 \text{ perm}$ [kW]	$M_2 \text{ perm}$ [Nm]	$n_2$ [rpm]	Temperature class		
	T3 (G) $\cong$ 190 °C (D) T4 (G) $\cong$ 125 °C (D)			Mounting position								
			A, B, E, F	C	D							
<b><math>n_1 = 2800 \text{ rpm}</math></b>												
GKR05-2N □□□	□E					13.719	3.30	147	204	T3	T3	-
	1E	2E	3E	4E		15.008	3.08	150	187	T3	T3	-
	100	112	90	80	90	16.857	3.02	165	166	T3	T3	-
	160	160	160	160	200	19.143	2.60	161	146	T3	T3	-
						20.650	2.62	176	136	T3	T3	-
						23.450	2.25	171	119	T3	T3	-
<b><math>n_1 = 1400 \text{ rpm}</math></b>												
GKR05-2N □□□	1B					13.216	1.37	118	106	T4	T4	T4
	71					15.008	1.37	134	93	T4	T4	T4
	105					16.857	1.22	133	83	T4	T4	T4
						19.143	1.22	151	73	T4	T4	T4
						26.878	0.84	146	52	T4	T4	T4
						30.522	0.84	166	46	T4	T4	T4
						33.433	0.70	152	42	T4	T4	T4
						37.967	0.70	173	37	T4	T4	T4
						43.267	0.56	158	32	T4	T4	T4
						49.133	0.56	179	29	T4	T4	T4
						52.510	0.47	160	27	T4	T4	T4
						59.630	0.47	182	24	T4	T4	T4
						67.112	0.38	164	21	T4	T4	T4
						76.213	0.38	186	18	T4	T4	T4
GKR05-2N □□□	□C					6.257	1.87	76	224	T4	T4	T4
	1C	2C	3C	4C	6C	12.081	1.87	146	116	T4	T4	T4
	80	71	71	71	63	13.216	1.87	160	106	T4	T4	T4
	160	160	105	120	160	13.719	1.87	166	102	T4	T4	T4
						15.008	1.87	182	93	T4	T4	T4
						16.857	1.86	203	83	T4	T4	T4
						19.143	1.60	198	73	T4	T4	T4
						20.650	1.62	216	68	T4	T4	T4
						23.450	1.39	211	60	T4	T4	T4
						26.878	1.32	229	52	T4	T4	T4
						30.522	1.16	229	46	T4	T4	T4
						33.433	1.10	238	42	T4	T4	T4
						37.967	0.98	240	37	T4	T4	T4
						43.267	0.86	240	32	T4	T4	T4
						49.133	0.75	240	29	T4	T4	T4
						52.510	0.71	240	27	T4	T4	T4
						59.630	0.62	240	24	T4	T4	T4
GKR05-2N □□□	□D					3.565	2.31	53	393	T4	T4	T4
	1D	2D				4.889	2.31	73	286	T4	T4	T4
	90	80				6.257	2.31	94	224	T4	T4	T4
	160	160				6.883	2.31	103	203	T4	T4	T4
						7.817	2.31	117	179	T4	T4	T4
						9.440	2.31	141	148	T4	T4	T4
						10.720	2.31	160	131	T4	T4	T4
						12.081	2.31	181	116	T4	T4	T4
						13.216	2.21	189	106	T4	T4	T4
						13.719	2.03	181	102	T4	T4	T4
						15.008	1.90	184	93	T4	T4	T4
						16.857	1.86	203	83	T4	T4	T4
						19.143	1.60	198	73	T4	T4	T4
						20.650	1.62	216	68	T4	T4	T4
						23.450	1.39	211	60	T4	T4	T4
						26.878	1.34	233	52	T4	T4	T4
						30.522	1.16	229	46	T4	T4	T4
						33.433	1.11	240	42	T4	T4	T4
						37.967	0.98	240	37	T4	T4	T4

For dimensions, see page 5-30 onwards.

# Bevel gearbox selection tables

Gearboxes with mounting flange for Atex category 2GD, 3GD (Zone 1, 21, 2, 22)



$M_2 \text{ perm} \leq 240 \text{ Nm}$						GKR05-2N □□□						
Gearbox with	Mounting flange size Motor frame size Flange diameter					i	$P_1 \text{ perm}$ [kW]	$M_2 \text{ perm}$ [Nm]	$n_2$ [rpm]	Temperature class		
	T3 (G) $\cong$ 190 °C (D)			T4 (G) $\cong$ 125 °C (D)								
									Mounting position			
									A, B, E, F	C	D	
<b><math>n_1 = 1400 \text{ rpm}</math></b>												
GKR05-2N □□□	□E					3.565	4.60	106	393	T4	T3	T4
	1E	1E	2E	3E	4E	4.889	4.59	145	286	T4	T4	T4
	100	112	90	80	90	6.257	3.84	156	224	T4	T4	T4
	160	160	160	160	200	6.883	3.46	155	203	T4	T3	T4
						7.817	3.00	152	179	T4	T3	T4
						9.440	2.78	170	148	T4	T4	T4
						10.720	2.40	167	131	T4	T4	T4
						12.081	2.35	184	116	T4	T4	T4
						13.216	2.21	189	106	T4	T4	T4
						13.719	2.03	181	102	T4	T4	T4
						15.008	1.90	184	93	T4	T4	T4
						16.857	1.86	203	83	T4	T4	T4
						19.143	1.60	198	73	T4	T4	T4
						20.650	1.62	216	68	T4	T4	T4
						23.450	1.39	211	60	T4	T4	T4
<b><math>n_1 = 700 \text{ rpm}</math></b>												
GKR05-2N □□□	1B					13.216	0.72	123	53	T4	T4	T4
	71					15.008	0.72	140	47	T4	T4	T4
	105					16.857	0.61	133	42	T4	T4	T4
						19.143	0.61	151	37	T4	T4	T4
						26.878	0.42	146	26	T4	T4	T4
						30.522	0.42	166	23	T4	T4	T4
						33.433	0.35	152	21	T4	T4	T4
						37.967	0.35	173	18	T4	T4	T4
						43.267	0.28	158	16	T4	T4	T4
						49.133	0.28	179	14	T4	T4	T4
						52.510	0.24	160	13	T4	T4	T4
						59.630	0.24	182	12	T4	T4	T4
						67.112	0.19	164	10	T4	T4	T4
						76.213	0.19	186	9.2	T4	T4	T4
GKR05-2N □□□	□C					6.257	1.18	96	112	T4	T4	T4
	1C	2C	3C	4C	6C	12.081	1.18	184	58	T4	T4	T4
	80	71	71	71	63	13.216	1.11	189	53	T4	T4	T4
	160	160	105	120	160	13.719	1.02	181	51	T4	T4	T4
						15.008	0.95	184	47	T4	T4	T4
						16.857	0.93	203	42	T4	T4	T4
						19.143	0.80	198	37	T4	T4	T4
						20.650	0.81	216	34	T4	T4	T4
						23.450	0.69	211	30	T4	T4	T4
						26.878	0.66	229	26	T4	T4	T4
						30.522	0.58	229	23	T4	T4	T4
						33.433	0.55	238	21	T4	T4	T4
						37.967	0.49	240	18	T4	T4	T4
						43.267	0.43	240	16	T4	T4	T4
						49.133	0.38	240	14	T4	T4	T4
						52.510	0.35	240	13	T4	T4	T4
						59.630	0.31	240	12	T4	T4	T4
GKR05-2N □□□	□D					3.565	1.54	71	196	T4	T4	T4
	1D	2D				4.889	1.54	98	143	T4	T4	T4
	90	80				6.257	1.54	125	112	T4	T4	T4
	160	160				6.883	1.54	137	102	T4	T4	T4
						7.817	1.50	152	90	T4	T4	T4
						9.440	1.39	170	74	T4	T4	T4
						10.720	1.20	167	65	T4	T4	T4
						12.081	1.18	184	58	T4	T4	T4
						13.216	1.11	189	53	T4	T4	T4
						13.719	1.02	181	51	T4	T4	T4
						15.008	0.95	184	47	T4	T4	T4

For dimensions, see page 5-30 onwards.

# Bevel gearbox selection tables

Gearboxes with mounting flange for Atex category 2GD, 3GD (Zone 1, 21, 2, 22)

$M_2 \text{ perm} \leq 240 \text{ Nm}$		GKR05-2N □□□						
Gearbox with	Mounting flange size Motor frame size Flange diameter	i	$P_1 \text{ perm}$ [kW]	$M_2 \text{ perm}$ [Nm]	$n_2$ [rpm]	Temperature class		
						T3 (G) $\cong$ 190 °C (D) T4 (G) $\cong$ 125 °C (D)		
						Mounting position		
						A, B, E, F	C	D
<b><math>n_1 = 700 \text{ rpm}</math></b>								
GKR05-2N □□□	□D	16.857	0.93	203	42	T4	T4	T4
	1D 2D	19.143	0.80	198	37	T4	T4	T4
	90 80	20.650	0.81	216	34	T4	T4	T4
	160 160	23.450	0.69	211	30	T4	T4	T4
		26.878	0.67	233	26	T4	T4	T4
		30.522	0.58	229	23	T4	T4	T4
		33.433	0.55	240	21	T4	T4	T4
		37.967	0.49	240	18	T4	T4	T4
GKR05-2N □□□	□E	3.565	2.30	106	196	T4	T4	T4
	1E 1E 2E 3E 4E	4.889	2.29	145	143	T4	T4	T4
	100 112 90 80 90	6.257	1.92	156	112	T4	T4	T4
	160 160 160 160 200	6.883	1.73	155	102	T4	T4	T4
		7.817	1.50	152	90	T4	T4	T4
		9.440	1.39	170	74	T4	T4	T4
		10.720	1.20	167	65	T4	T4	T4
		12.081	1.18	184	58	T4	T4	T4
		13.216	1.11	189	53	T4	T4	T4
		13.719	1.02	181	51	T4	T4	T4
		15.008	0.95	184	47	T4	T4	T4
		16.857	0.93	203	42	T4	T4	T4
		19.143	0.80	198	37	T4	T4	T4
		20.650	0.81	216	34	T4	T4	T4
		23.450	0.69	211	30	T4	T4	T4

For dimensions, see page 5-30 onwards.



# Bevel gearbox selection tables

Gearboxes with mounting flange for Atex category 2GD, 3GD (Zone 1, 21, 2, 22)



$M_2 \text{ perm} \leq 450 \text{ Nm}$		GKR06-2N □□□									
Gearbox with	Mounting flange size Motor frame size Flange diameter	i	$P_1 \text{ perm}$ [kW]	$M_2 \text{ perm}$ [Nm]	$n_2$ [rpm]	Temperature class					
						T3 (G) $\cong$ 190 °C (D)	T4 (G) $\cong$ 125 °C (D)				
						Mounting position					
						A, B, E, F	C	D			
<b><math>n_1 = 2800 \text{ rpm}</math></b>											
GKR06-2N □□□	<b>1B</b> <b>71</b> <b>105</b>		40.741	1.39	183	69	T4	T4	-		
			44.917	1.39	202	62	T4	T4	-		
			49.444	1.16	186	57	T4	T4	-		
			54.513	1.16	205	51	T4	T4	-		
			62.500	0.93	188	45	T4	T4	-		
			68.906	0.93	207	41	T4	T4	-		
GKR06-2N □□□	□C <b>1C</b> 2C 3C 4C 6C 7C <b>80</b> 71 71 71 63 80 <b>160</b> 160 105 120 160 120		15.873	3.04	156	176	T3	T3	-		
			17.500	3.04	172	160	T3	T3	-		
			25.309	3.00	246	111	T4	T3	-		
			27.903	3.00	271	100	T4	T3	-		
			31.481	2.51	256	89	T4	T3	-		
			34.708	2.51	282	81	T4	T3	-		
			40.741	2.18	288	69	T4	T4	-		
			44.917	2.18	317	62	T4	T4	-		
			49.444	1.82	291	57	T4	T4	-		
			54.513	1.82	321	51	T4	T4	-		
			62.500	1.46	295	45	T4	T4	-		
			68.906	1.46	325	41	T4	T4	-		
		GKR06-2N □□□	□D <b>1D</b> 2D <b>90</b> 80 <b>160</b> 160		6.022	3.75	73	465	T3	T3	-
					11.376	3.75	138	246	T3	T3	-
	12.444			3.75	151	225	T3	T3	-		
	13.720			3.75	167	204	T3	T3	-		
	15.873			3.75	193	176	T3	T3	-		
	17.500			3.75	213	160	T3	T3	-		
	19.444			3.75	236	144	T3	T3	-		
	21.438			3.75	261	131	T3	T3	-		
	25.309			4.03	330	111	T4	T3	-		
	27.903			4.03	364	100	T4	T3	-		
	31.481			3.36	343	89	T4	T3	-		
	34.708			3.36	378	81	T4	T3	-		
	40.741			2.93	386	69	T4	T4	-		
	44.917			2.93	426	62	T4	T4	-		
	49.444			2.44	391	57	T4	T4	-		
	54.513			2.44	431	51	T4	T4	-		
GKR06-2N □□□	□E <b>1E</b> <b>1E</b> 2E 3E 4E <b>100</b> <b>112</b> 90 80 90 <b>160</b> <b>160</b> 160 160 200				3.431	10.72	119	816	T3	T3	-
					4.706	10.72	163	595	T3	T3	-
			6.022	10.55	206	465	T3	T3	-		
			6.481	10.72	225	432	T3	T3	-		
			7.146	10.09	234	392	T3	T3	-		
			8.889	9.36	270	315	T3	T3	-		
			9.800	8.05	256	286	T3	T3	-		
			11.376	7.87	290	246	T3	T3	-		
			12.444	7.37	297	225	T3	T3	-		
			13.720	6.33	281	204	T3	T3	-		
			15.873	6.23	321	176	T3	T3	-		
			17.500	5.33	302	160	T3	T3	-		
			19.444	5.37	338	144	T3	T3	-		
			21.438	4.62	321	131	T3	T3	-		
			25.309	5.06	415	111	T3	T3	-		
			27.903	4.33	392	100	T3	T3	-		
			31.481	4.07	415	89	T4	T3	-		
			34.708	3.69	415	81	T4	T3	-		
		GKR06-2N □□□	□F <b>1F</b> <b>1F</b> 2F 3F <b>100</b> <b>112</b> 90 90 <b>160</b> <b>160</b> 160 200		3.431	10.72	119	816	T3	-	-
					4.706	10.72	163	595	T3	-	-
	6.022			10.72	209	465	T3	-	-		
	6.481			10.72	225	432	T3	-	-		
	7.146			10.09	234	392	T3	-	-		
	8.889			9.36	270	315	T3	-	-		
	9.800			8.05	256	286	T3	-	-		
	11.376			7.87	290	246	T3	-	-		

For dimensions, see page 5-30 onwards.

# Bevel gearbox selection tables

Gearboxes with mounting flange for Atex category 2GD, 3GD (Zone 1, 21, 2, 22)

$M_2 \text{ perm} \leq 450 \text{ Nm}$				GKR06-2N □□□			
Gearbox with Mounting flange size Motor frame size Flange diameter	i	$P_{1 \text{ perm}}$ [kW]	$M_2 \text{ perm}$ [Nm]	$n_2$ [rpm]	Temperature class		
					T3 (G) $\cong$ 190 °C (D) T4 (G) $\cong$ 125 °C (D)		
					Mounting position		
					A, B, E, F	C	D
<b><math>n_1 = 2800 \text{ rpm}</math></b>							
GKR06-2N □□□ □F	12.444	7.37	297	225	T3	-	-
1F 1F 2F 3F	13.720	6.33	281	204	T3	-	-
100 112 90 90	15.873	6.23	321	176	T3	-	-
160 160 160 200	17.500	5.33	302	160	T3	-	-
	19.444	5.37	338	144	T3	-	-
	21.438	4.62	321	131	T3	-	-
<b><math>n_1 = 1400 \text{ rpm}</math></b>							
GKR06-2N □□□ 1B	40.741	0.69	183	34	T4	T4	T4
71	44.917	0.69	202	31	T4	T4	T4
105	49.444	0.58	186	28	T4	T4	T4
	54.513	0.58	205	26	T4	T4	T4
	62.500	0.46	188	22	T4	T4	T4
	68.906	0.46	207	20	T4	T4	T4
GKR06-2N □□□ □C	15.873	1.87	192	88	T4	T4	T4
1C 2C 3C 4C 6C 7C	17.500	1.87	212	80	T4	T4	T4
80 71 71 71 63 80	25.309	1.62	266	55	T4	T4	T4
160 160 105 120 160 120	27.903	1.62	294	50	T4	T4	T4
	31.481	1.36	277	45	T4	T4	T4
	34.708	1.36	305	40	T4	T4	T4
	40.741	1.09	288	34	T4	T4	T4
	44.917	1.09	317	31	T4	T4	T4
	49.444	0.91	291	28	T4	T4	T4
	54.513	0.91	321	26	T4	T4	T4
	62.500	0.73	295	22	T4	T4	T4
	68.906	0.73	325	20	T4	T4	T4
GKR06-2N □□□ □D	6.022	2.31	90	233	T4	T4	T4
1D 2D	11.376	2.31	170	123	T4	T4	T4
90 80	12.444	2.31	186	113	T4	T4	T4
160 160	13.720	2.31	205	102	T4	T4	T4
	15.873	2.31	238	88	T4	T4	T4
	17.500	2.31	262	80	T4	T4	T4
	19.444	2.31	291	72	T4	T4	T4
	21.438	2.31	321	65	T4	T4	T4
	25.309	2.18	358	55	T4	T4	T4
	27.903	2.18	395	50	T4	T4	T4
	31.481	1.82	372	45	T4	T4	T4
	34.708	1.82	410	40	T4	T4	T4
	40.741	1.46	386	34	T4	T4	T4
	44.917	1.46	426	31	T4	T4	T4
	49.444	1.22	391	28	T4	T4	T4
	54.513	1.22	431	26	T4	T4	T4
GKR06-2N □□□ □E	3.431	6.60	147	408	T3	T3	T3
1E 1E 2E 3E 4E	4.706	6.60	201	298	T4	T3	T4
100 112 90 80 90	6.022	6.50	254	233	T4	T4	T4
160 160 160 160 200	6.481	6.60	277	216	T3	T3	T3
	7.146	6.21	288	196	T3	T3	T3
	8.889	5.76	332	158	T4	T3	T4
	9.800	4.96	315	143	T4	T3	T4
	11.376	4.84	357	123	T4	T4	T4
	12.444	4.54	366	113	T4	T4	T4
	13.720	3.90	346	102	T4	T4	T4
	15.873	3.84	395	88	T4	T4	T4
	17.500	3.28	372	80	T4	T4	T4
	19.444	3.31	417	72	T4	T4	T4
	21.438	2.84	395	65	T4	T4	T4
	25.309	2.74	450	55	T4	T4	T4
	27.903	2.35	425	50	T4	T4	T4
	31.481	2.21	450	45	T4	T4	T4
	34.708	2.00	450	40	T4	T4	T4

For dimensions, see page 5-30 onwards.

# Bevel gearbox selection tables

Gearboxes with mounting flange for Atex category 2GD, 3GD (Zone 1, 21, 2, 22)



$M_2 \text{ perm} \leq 450 \text{ Nm}$				GKR06-2N □□□						
Gearbox with	Mounting flange size			i	$P_1 \text{ perm}$	$M_2 \text{ perm}$	$n_2$	Temperature class		
	Motor frame size	Flange diameter						T3 (G) $\cong$ 190 °C (D) T4 (G) $\cong$ 125 °C (D)		
								Mounting position		
					[kW]	[Nm]	[rpm]	A, B, E, F	C	D
<b><math>n_1 = 1400 \text{ rpm}</math></b>										
GKR06-2N □□□	□F			3.431	6.60	147	408	T3	T3	T3
	1F	1F	2F 3F	4.706	6.60	201	298	T4	T3	T4
	100	112	90 90	6.022	6.60	257	233	T4	T4	T4
	160	160	160 200	6.481	6.60	277	216	T3	T3	T3
				7.146	6.21	288	196	T3	T3	T3
				8.889	5.76	332	158	T4	T3	T4
				9.800	4.96	315	143	T4	T3	T4
				11.376	4.84	357	123	T4	T4	T4
				12.444	4.54	366	113	T4	T4	T4
				13.720	3.90	346	102	T4	T4	T4
				15.873	3.84	395	88	T4	T4	T4
				17.500	3.28	372	80	T4	T4	T4
				19.444	3.31	417	72	T4	T4	T4
				21.438	2.84	395	65	T4	T4	T4
<b><math>n_1 = 700 \text{ rpm}</math></b>										
GKR06-2N □□□	1B			40.741	0.35	183	17	T4	T4	T4
	71			44.917	0.35	202	16	T4	T4	T4
	105			49.444	0.29	186	14	T4	T4	T4
				54.513	0.29	205	13	T4	T4	T4
				62.500	0.23	188	11	T4	T4	T4
				68.906	0.23	207	10	T4	T4	T4
GKR06-2N □□□	□C			15.873	1.18	242	44	T4	T4	T4
	1C	2C	3C 4C 6C 7C	17.500	1.18	267	40	T4	T4	T4
	80	71	71 71 63 80	25.309	0.81	266	28	T4	T4	T4
	160	160	105 120 160 120	27.903	0.81	294	25	T4	T4	T4
				31.481	0.68	277	22	T4	T4	T4
				34.708	0.68	305	20	T4	T4	T4
				40.741	0.54	288	17	T4	T4	T4
				44.917	0.54	317	16	T4	T4	T4
				49.444	0.45	291	14	T4	T4	T4
				54.513	0.45	321	13	T4	T4	T4
				62.500	0.36	295	11	T4	T4	T4
				68.906	0.36	325	10	T4	T4	T4
GKR06-2N □□□	□D			6.022	1.54	120	116	T4	T4	T4
	1D	2D		11.376	1.54	227	62	T4	T4	T4
	90	80		12.444	1.54	248	56	T4	T4	T4
	160	160		13.720	1.54	274	51	T4	T4	T4
				15.873	1.54	317	44	T4	T4	T4
				17.500	1.54	349	40	T4	T4	T4
				19.444	1.36	343	36	T4	T4	T4
				21.438	1.36	378	33	T4	T4	T4
				25.309	1.09	358	28	T4	T4	T4
				27.903	1.09	395	25	T4	T4	T4
				31.481	0.91	372	22	T4	T4	T4
				34.708	0.91	410	20	T4	T4	T4
				40.741	0.73	386	17	T4	T4	T4
				44.917	0.73	426	16	T4	T4	T4
				49.444	0.61	391	14	T4	T4	T4
				54.513	0.61	431	13	T4	T4	T4
GKR06-2N □□□	□E			3.431	3.85	171	204	T4	T4	T4
	1E	1E	2E 3E 4E	4.706	3.85	235	149	T4	T4	T4
	100	112	90 80 90	6.022	3.25	254	116	T4	T4	T4
	160	160	160 160 200	6.481	3.62	304	108	T4	T4	T4
				7.146	3.11	288	98	T4	T4	T4
				8.889	2.88	332	79	T4	T4	T4
				9.800	2.48	315	71	T4	T4	T4
				11.376	2.42	357	62	T4	T4	T4
				12.444	2.27	366	56	T4	T4	T4
				13.720	1.95	346	51	T4	T4	T4

For dimensions, see page 5-30 onwards.

## Bevel gearbox selection tables

Gearboxes with mounting flange for Atex category 2GD, 3GD (Zone 1, 21, 2, 22)

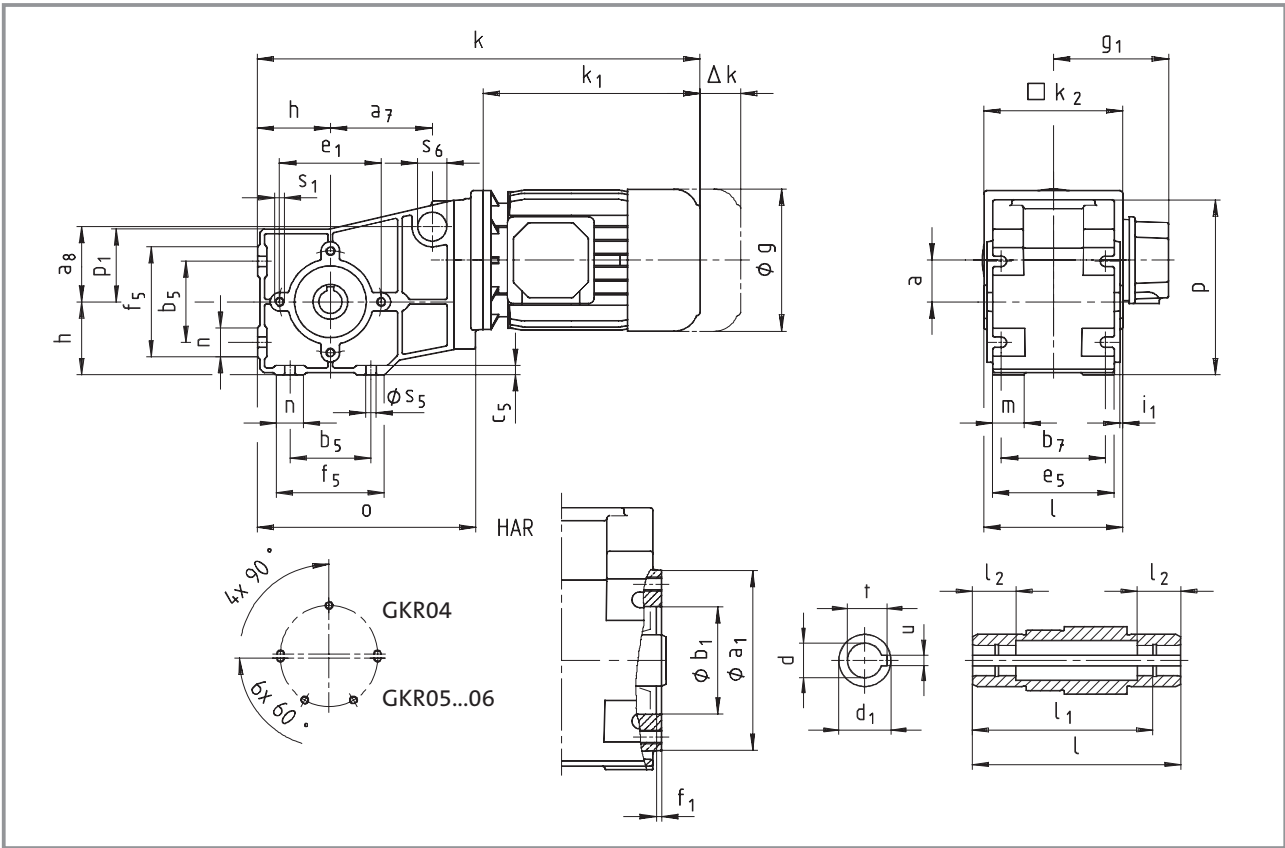
$M_2 \text{ perm} \leq 450 \text{ Nm}$					GKR06-2N □□□						
Gearbox with	Mounting flange size				i	$P_1 \text{ perm}$	$M_2 \text{ perm}$	$n_2$	Temperature class		
	Motor frame size	Flange diameter							T3 (G) $\cong$ 190 °C (D)	T4 (G) $\cong$ 125 °C (D)	Mounting position
								A, B, E, F	C	D	
<b><math>n_1 = 700 \text{ rpm}</math></b>											
GKR06-2N □□□ □E					15.873	1.92	395	44	T4	T4	T4
1E	1E	2E	3E	4E	17.500	1.64	372	40	T4	T4	T4
100	112	90	80	90	19.444	1.65	417	36	T4	T4	T4
160	160	160	160	200	21.438	1.42	395	33	T4	T4	T4
					25.309	1.37	450	28	T4	T4	T4
					27.903	1.17	425	25	T4	T4	T4
					31.481	1.10	450	22	T4	T4	T4
					34.708	1.00	450	20	T4	T4	T4
GKR06-2N □□□ □F					3.431	4.06	181	204	T4	T4	T4
1F	1F	2F	3F		4.706	4.06	248	149	T4	T4	T4
100	112	90	90		6.022	3.42	267	116	T4	T4	T4
160	160	160	200		6.481	3.62	304	108	T4	T4	T4
					7.146	3.11	288	98	T4	T4	T4
					8.889	2.88	332	79	T4	T4	T4
					9.800	2.48	315	71	T4	T4	T4
					11.376	2.42	357	62	T4	T4	T4
					12.444	2.27	366	56	T4	T4	T4
					13.720	1.95	346	51	T4	T4	T4
					15.873	1.92	395	44	T4	T4	T4
					17.500	1.64	372	40	T4	T4	T4
					19.444	1.65	417	36	T4	T4	T4
					21.438	1.42	395	33	T4	T4	T4

For dimensions, see page 5-30 onwards.



# Bevel gearbox dimensions

Geared motors for Atex category 2G, 2D, 3G, 3D (zone 1, 21, 2, 22)



5

Geared motor							Motor frame size										
<b>GKRO0-2M HOR</b>							063-12	063-32	071-12	071-32	080-12	080-32	090-12 090-32	100-12	100-32	112-22	
Motor		<b>g</b>					129		142		156		176		194		233
		<b>g<sub>1</sub></b> Without options					125		127		134		128		139		164
		<b>k<sub>1</sub></b>					169	181	181	187	200	220	242	280	296		316
		<b>k<sub>2</sub></b>					120		145		145		180		180		222
Gearbox size	l*	p*	Gearbox				Overall length										
			<b>p<sub>1</sub></b>	<b>a</b>	<b>h</b>	<b>o</b>	<b>k</b>										
<b>04</b>	120	151	63	36	63	189	365	377	377	383	401	421	453				
<b>05</b>	143	181	82	40	80	251	418	430	430	436	454	474	506	544	560		
<b>06</b>	170	226	100	51	100	307	470	482	482	488	506	526	558	596	612	638	

Gearbox size	Hollow shaft							Threaded pitch circle						
	d <sup>2)</sup> H7	l	d <sub>1</sub>	l <sub>1</sub>	l <sub>2</sub>	u J59	t <sup>1)</sup> +0.1	a <sub>1</sub>	b <sub>1</sub> J7	e <sub>1</sub>	f <sub>1</sub>	i <sub>1</sub>	s <sub>1</sub>	
<b>04</b>	20 25	120	30 35	105	25	6 8	22.8 27.0	104	62	88	3	2.5	M8x16	
<b>05</b>	30 35	143	50	127	25	8 10	33.3 38.3	116	80	100	4	4	M8x15	
<b>06</b>	40 45	170	65	150	30	12 14	43.3 48.8	140	100	120	4	5	M10x22	

Gearbox size	Foot							Torque plate				
	b <sub>5</sub>	b <sub>7</sub>	c <sub>5</sub>	e <sub>5</sub>	f <sub>5</sub>	n	m	s <sub>5</sub>	a <sub>7</sub>	a <sub>8</sub>	s <sub>6</sub>	
<b>04</b>	70	90	8	105	95	25	28	9	88	65	25x17	
<b>05</b>	100	100	11	115	138	48	27	9		-		
<b>06</b>	120	125	12	145	164	53	32	11		-		

Dimensions in [mm]

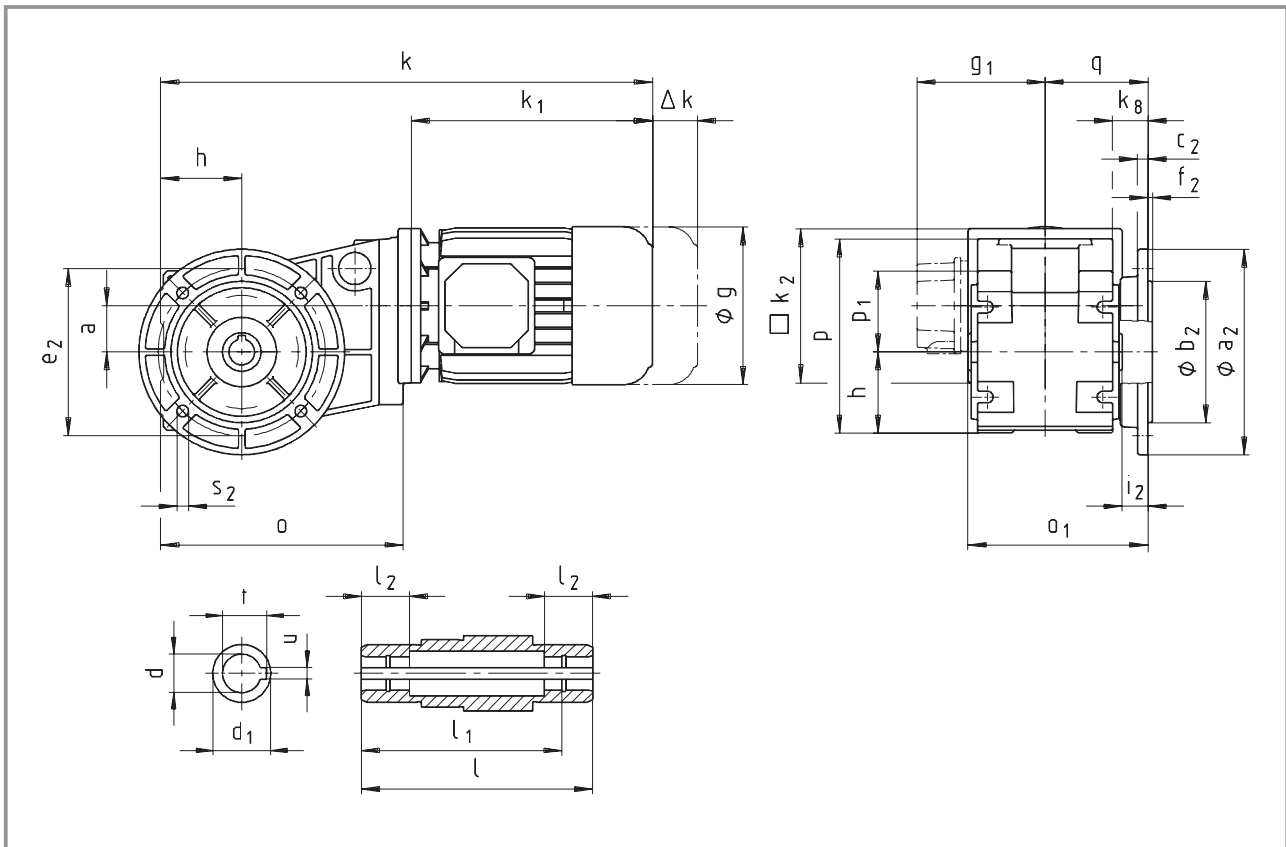
\* Observe dimension  $k_2$ .

<sup>1)</sup> With hollow shaft  $d = 25$  mm, use flat keyway to DIN 6885/3.

<sup>2)</sup> Only in the  $l_2$  range

# Bevel gearbox dimensions

Geared motors for Atex category 2G, 2D, 3G, 3D (zone 1, 21, 2, 22)



Geared motor		Motor frame size																
<b>GKROO-2M HAK</b>		063-12	063-32	071-12	071-32	080-12	080-32	090-12 090-32	100-12	100-32	112-22							
Motor	<b>g</b>	129		142		156		176	194		233							
	<b>g<sub>1</sub></b>	125		127		134		128	139		164							
	<b>k<sub>1</sub></b>	169	181	181	187	200	220	242	280	296	316							
	<b>k<sub>2</sub></b>	120		145		145		180	180		222							
Gearbox size	Gearbox								Overall length									
	$o_1^*$	$p^*$	$p_1$	$a$	$h$	$k_8$	$o$	$q$	<b>k</b>									
<b>04</b>	140	151	63	36	63	28	189	80	365	377	377	383	401	421	453			
<b>05</b>	177	181	82	40	80	47	251	105	418	430	430	436	454	474	506	544	560	
<b>06</b>	212	226	100	51	100	54	307	126.5	470	482	482	488	506	526	558	596	612	638

Gearbox size	Hollow shaft							Output flange						
	$d^2)$ H7	$l$	$d_1$	$l_1$	$l_2$	$u$ JS9	$t^1)$ +0.1	$a_2$	$b_2$ j7	$c_2$	$e_2$	$f_2$	$i_2$	$s_2$ 4 x 90°
<b>04</b>	20	120	30	105	25	6	22.8	120	80	8.0	100	3	20	7
	25		35			8	27	160	110		130	3.5		9
<b>05</b>	30	143	50	127	25	8	33.3	160	110	12	130	3.5	33.5	9
	35					10	38.3	200	130		165			11
<b>06</b>	40	170	65	150	30	12	43.3	200	130	12	165	3.5	41.5	11
	45					14	48.8	250	180		215			14

Dimensions in [mm]

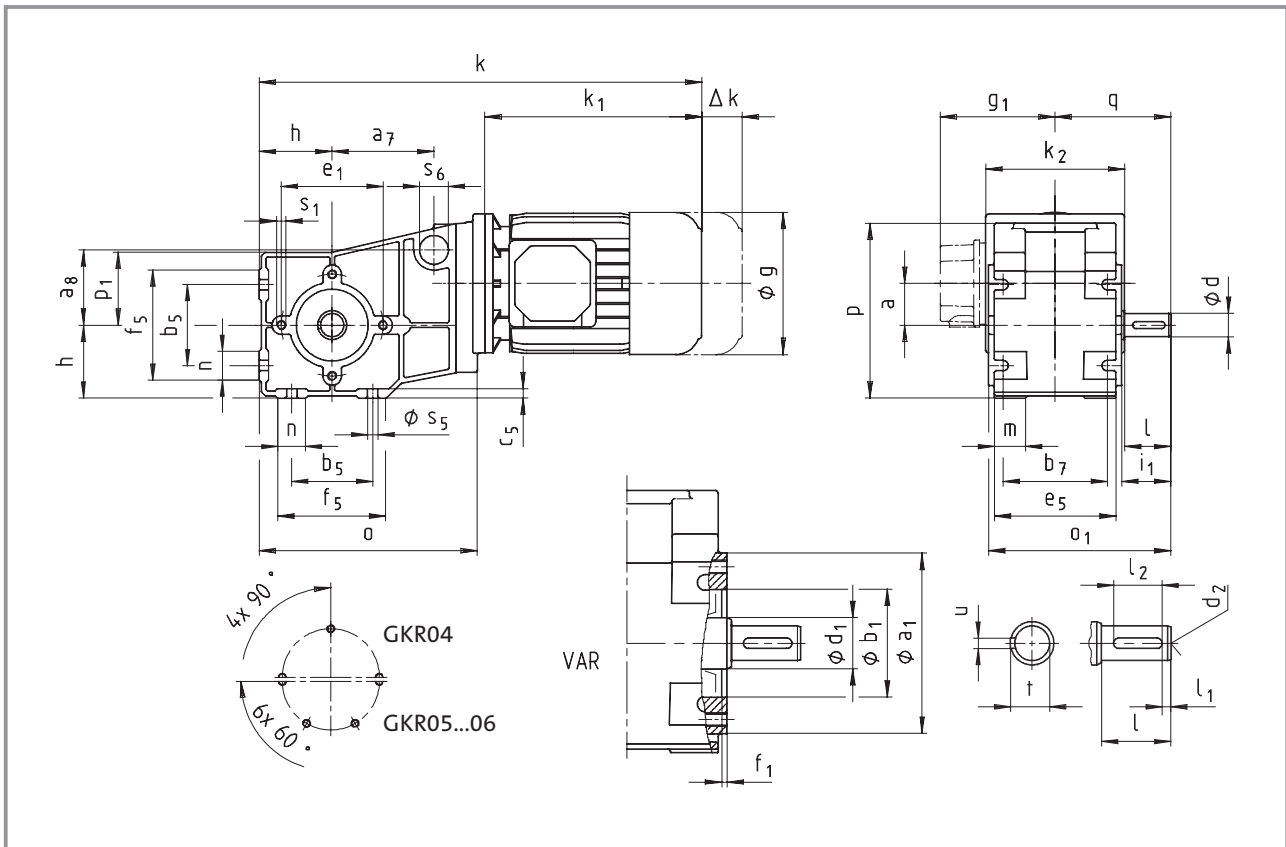
\* Observe dimension  $k_2$ .

1) With hollow shaft  $d = 25$  mm, use flat keyway to DIN 6885/3.

2) Only in the  $l_2$  range

# Bevel gearbox dimensions

Geared motors for Atex category 2G, 2D, 3G, 3D (zone 1, 21, 2, 22)



5

Geared motor		Motor frame size															
<b>GKRO0-2M VOR</b>		063-12	063-32	071-12	071-32	080-12	080-32	090-12 090-32	100-12	100-32	112-22						
Motor	<b>g</b>	129		142		156		176	194		233						
	<b>g<sub>1</sub></b> Without options	125		127		134		128	139		164						
	<b>k<sub>1</sub></b>	169	181	181	187	200	220	242	280	296	316						
	<b>k<sub>2</sub></b>	120		145		145		180	180		222						
Gearbox size	Gearbox								Overall length								
	o <sub>1</sub> *	p*	p <sub>1</sub>	a	h	o	q	k									
04	158	151	63	36	63	189	100	365	377	377	383	401	421	453			
05	199	181	82	40	80	251	131.5	418	430	430	436	454	474	506	544	560	
06	235	226	100	51	100	307	155	470	482	482	488	506	526	558	596	612	638

Gearbox size	Solid shaft									Threaded pitch circle					
	d k6	l	d <sub>1</sub>	l <sub>1</sub>	l <sub>2</sub>	d <sub>2</sub>	u	t	a <sub>1</sub>	b <sub>1</sub> J7	e <sub>1</sub>	f <sub>1</sub>	i <sub>1</sub>	s <sub>1</sub>	
04	20	40	30	5	28	M6	6	22.5	104	62	88	3	42.5	M8x16	
05	30	60	50	6	45	M10	8	33	116	80	100	4	64	M8x15	
06	35	70	65	7	56	M12	10	38	140	100	120	4	75	M10x22	

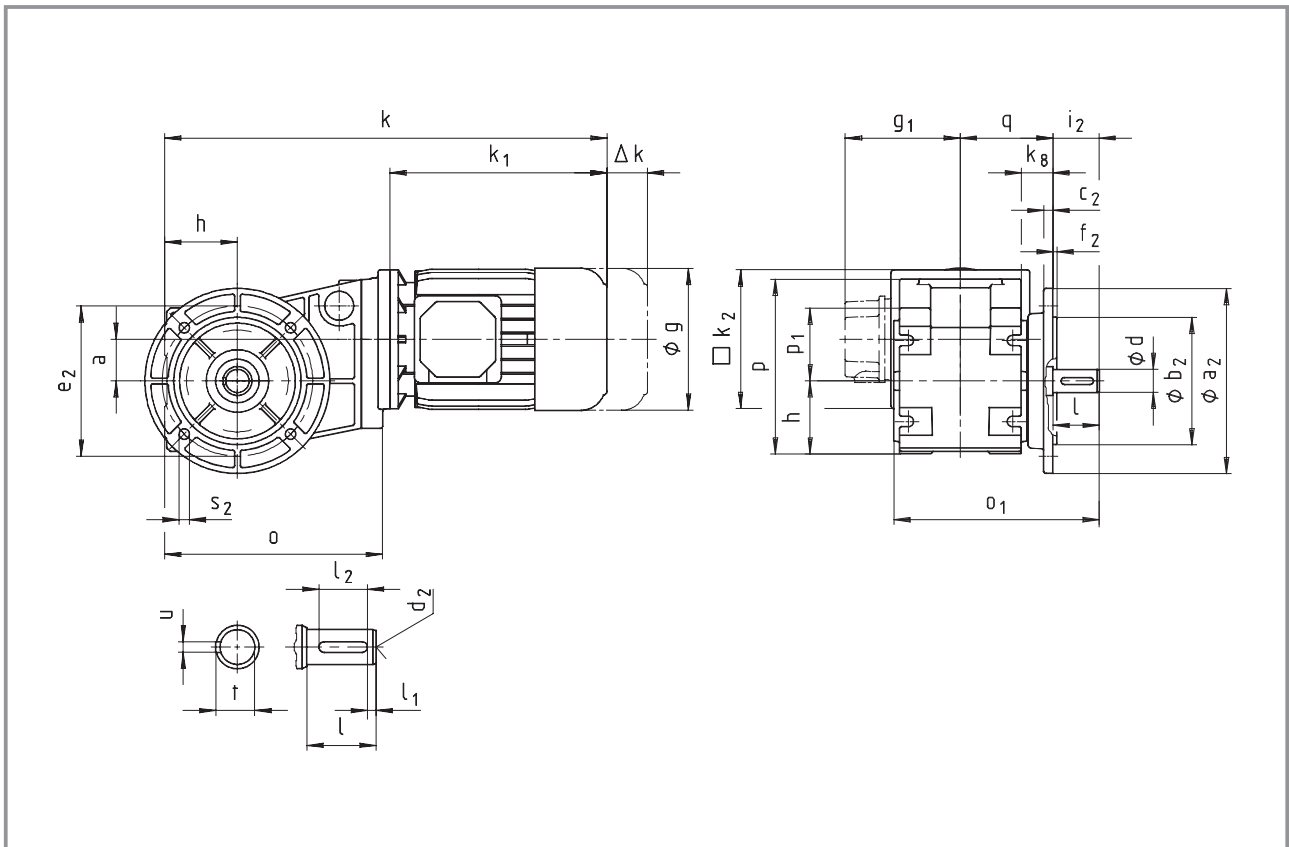
Gearbox size	Foot									Torque plate		
	b <sub>5</sub>	b <sub>7</sub>	c <sub>5</sub>	e <sub>5</sub>	f <sub>5</sub>	n	m	s <sub>5</sub>	a <sub>7</sub>	a <sub>8</sub>	s <sub>6</sub>	
04	70	90	8	105	95	25	28	9	88	65	25x17	
05	100	100	11	115	138	48	27	9	-	-	-	
06	120	125	12	145	164	53	32	11	-	-	-	

Dimensions in [mm] \* Observe dimension k<sub>2</sub>.



# Bevel gearbox dimensions

Geared motors for Atex category 2G, 2D, 3G, 3D (zone 1, 21, 2, 22)



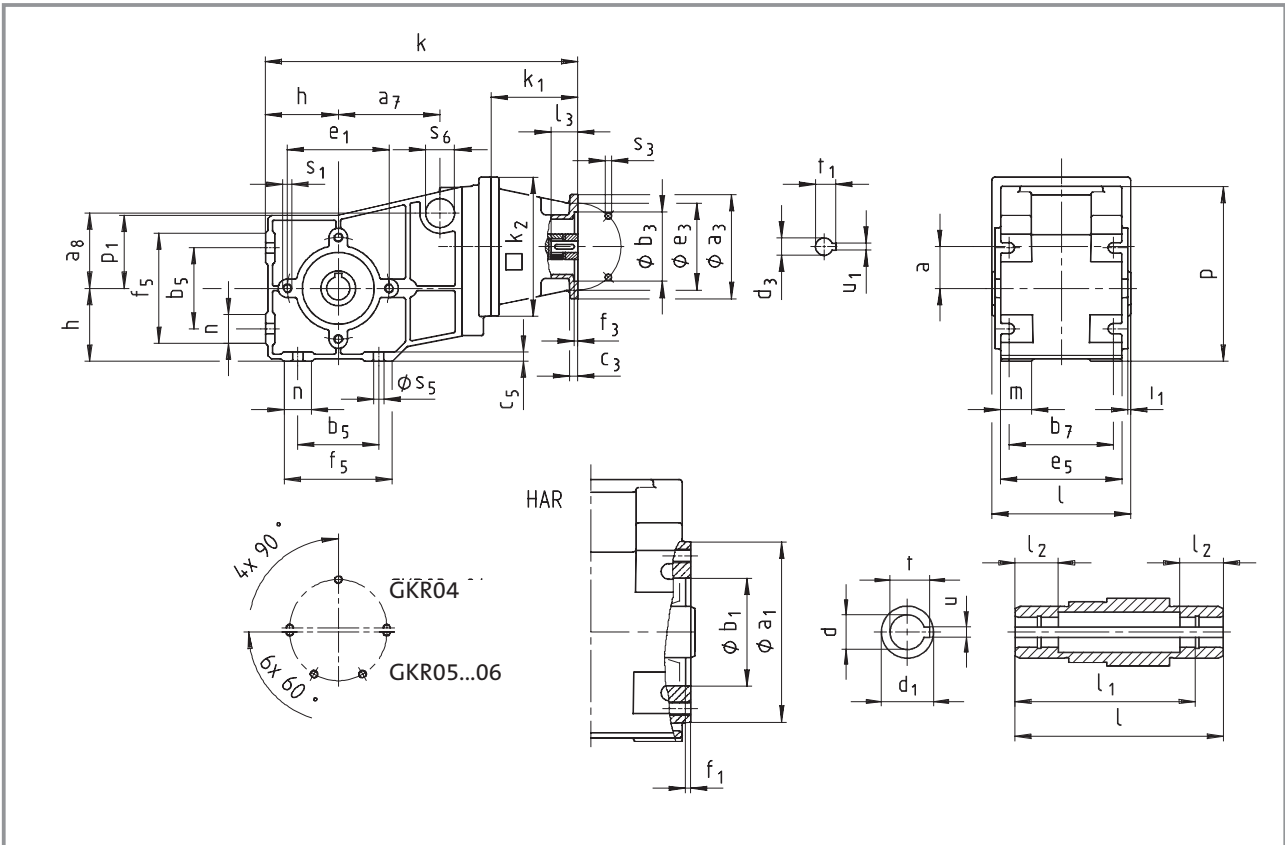
Geared motor		Motor frame size																
<b>GKROO-2M VAK</b>		063-12	063-32	071-12	071-32	080-12	080-32	090-12 090-32	100-12	100-32	112-22							
Motor	<b>g</b>	129		142		156		176	194		233							
	<b>g<sub>1</sub></b> Without options	125		127		134		128	139		164							
	<b>k<sub>1</sub></b>	169	181	181	187	200	220	242	280	296	316							
	<b>k<sub>2</sub></b>	120		145		145		180	180		222							
Gearbox size	Gearbox								Overall length									
	$o_1^*$	$p^*$	$p_1$	$a$	$h$	$o$	$q$	$k_8$	<b>k</b>									
<b>04</b>	178	151	63	36	63	189	80.5	28	365	377	377	383	401	421	453			
<b>05</b>	233	181	82	40	80	251	105	47	418	430	430	436	454	474	506	544	560	
<b>06</b>	277	226	100	51	100	307	126.5	54	470	482	482	488	506	526	558	596	612	638

Gearbox size	Solid shaft							Output flange						
	$d$ k6	$l$	$l_1$	$l_2$	$d_2$	$u$	$t$	$a_2$	$b_2$ j7	$c_2$	$e_2$	$f_2$	$i_2$	$s_2$ 4 x 90°
<b>04</b>	20	40	5	28	M6	6	22.5	120 160	80 110	8	100 130	3 3.5	40	7 9
<b>05</b>	30	60	6	45	M10	8	33	160 200	110 130	12	130 165	3.5	60	9 11
<b>06</b>	35	70	7	56	M12	10	38	200 250	130 180	12	165 215	3.5 4	70	11 14

Dimensions in [mm] \* Observe dimension  $k_2$ .

# Bevel gearbox dimensions

Gearboxes with mounting flange for Atex category 2GD, 3GD (zone 1, 21, 2, 22)



5

Gearbox <b>GKRO0-2N HOR</b>		Drive size								
		1A	1B	2B	1C	2C	3C	4C	6C	7C
		Corresponds to IEC motor								
		63	71	63	80	71	71	71	63	80
Housing	$k_1$	75	77	75	91					
	$k_2$	120	145	120	145					
Flange	$a_3$	90	105	90	160	160	105	120	160	120
	$b_3$ H8	60	70	60	110	110	70	80	110	80
	$c_3$	7	8	7	10	10	8	8	10	8
	$e_3$	75	85	75	130	130	85	100	130	100
	$f_3$	3	3	3	4	4	3	3.5	4	3.5
	$s_3$ 4 x	5.5	6.6	5.5	9	9	6.6	6.6	9	6.6
Required motor shafts	$d_3$	11	14	11	19	14	14	14	11	19
	$l_3$ min max.	23	30	23	25				23	25
		23	30	23	40				40	40
	$u_1$	4	5	4	6	5	5	5	4	6
	$t_1$	12.5	16	12.5	21.5	16	16	16	12.5	21.5
Gearbox size		Overall length k								
04		271	278	271	292					
05			331		345					
06			383		397					

# Bevel gearbox dimensions

Gearboxes with mounting flange for Atex category 2GD, 3GD (zone 1, 21, 2, 22)



Gearbox <b>GKROO-2N HOR</b>		Drive size									
		1D	2D	1E	2E	3E	4E	1F	2F	3F	
		Corresponds to IEC motor									
		90	80	100 112	90	80	90	100 112	90	90	
Housing	k <sub>1</sub>	115			110		130		139		159
	k <sub>2</sub>	180			180		180		180		180
Flange	a <sub>3</sub>	160			160		188		160		188
	b <sub>3</sub> H8	110			110		130		110		130
	c <sub>3</sub>	10			10		20		10		20
	e <sub>3</sub>	130			130		165		130		165
	f <sub>3</sub>	4			4		4		4		4
	s <sub>3</sub> 4 x	9			9		M10		9		M10
Required motor shafts	d <sub>3</sub>	24	19	28	24	19	24	28	24	24	
	l <sub>3</sub> min max.	50	40	30			50	30		50	
		50	50	60			50	60		50	
	U <sub>1</sub>	8	6	8	8	6	8	8	8	8	
t <sub>1</sub>	27	21.5	31	27	21.5	27	31	27	27		
Gearbox size	Overall length k										
05	379			374			394				
06	431			426			446		455		475

Gearbox size	l*	p*	p <sub>1</sub>	a	h	o
04	120	151	63	36	63	189
05	143	181	82	40	80	251
06	170	226	100	51	100	307

Gearbox size	Hollow shaft							Threaded pitch circle					
	d <sup>2)</sup> H7	l	d <sub>1</sub>	l <sub>1</sub>	l <sub>2</sub>	u JS9	t <sup>1)</sup> +0.1	a <sub>1</sub>	b <sub>1</sub> J7	e <sub>1</sub>	f <sub>1</sub>	i <sub>1</sub>	s <sub>1</sub>
04	20 25	120	30 35	105	25	6 8	22.8 27.0	104	62	88	3	2.5	M8x16
05	30 35	143	50	127	25	8 10	33.3 38.3	116	80	100	4	4	M8x15
06	40 45	170	65	150	30	12 14	43.3 48.8	140	100	120	4	5	M10x22

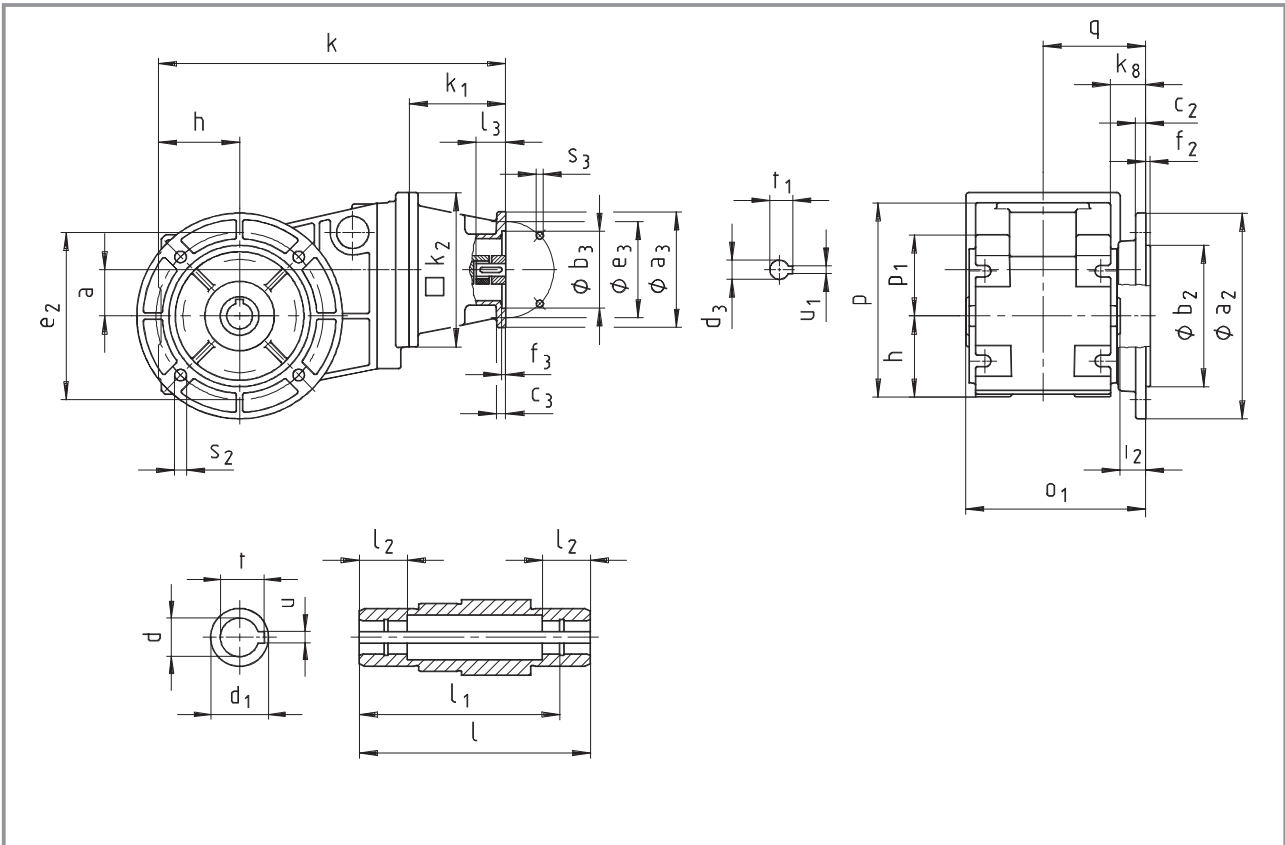
Gearbox size	Foot								Torque plate		
	b <sub>5</sub>	b <sub>7</sub>	c <sub>5</sub>	e <sub>5</sub>	f <sub>5</sub>	n	m	s <sub>5</sub>	a <sub>7</sub>	a <sub>8</sub>	s <sub>6</sub>
04	70	90	8	105	95	25	28	9	88	65	25x17
05	100	100	11	115	138	48	27	9	-		
06	120	125	12	145	164	53	32	11	-		

Dimensions in [mm] <sup>1)</sup> With hollow shaft d = 25 mm, use flat keyway to DIN 6885/3.

\* Observe dimension k<sub>2</sub>. <sup>2)</sup> Only in the l<sub>2</sub> range

# Bevel gearbox dimensions

Gearboxes with mounting flange for Atex category 2GD, 3GD (zone 1, 21, 2, 22)



5

Gearbox <b>GKRO0-2N HAK</b>		Drive size									
		1A	1B	2B	1C	2C	3C	4C	6C	7C	
		Corresponds to IEC motor									
		63	71	63	80	71	71	71	63	80	
Housing	k <sub>1</sub>	75	77	75	91						
	k <sub>2</sub>	120	145	120	145						
Flange	a <sub>3</sub>	90	105	90	160	160	105	120	160	120	
	b <sub>3</sub> H8	60	70	60	110	110	70	80	110	80	
	c <sub>3</sub>	7	8	7	10	10	8	8	10	8	
	e <sub>3</sub>	75	85	75	130	130	85	100	130	100	
	f <sub>3</sub>	3	3	3	4	4	3	3.5	4	3.5	
	s <sub>3</sub> 4 x	5.5	6.6	5.5	9	9	6.6	6.6	9	6.6	
Required motor shafts	d <sub>3</sub>	11	14	11	19	14	14	14	11	19	
	l <sub>3</sub> min max.	23	30	23	25				23	25	
		23	30	23	40				40	40	
	U <sub>1</sub>	4	5	4	6	5	5	5	4	6	
t <sub>1</sub>	12.5	16	12.5	21.5	16	16	16	12.5	21.5		
Gearbox size		Overall length k									
04		271	278	271	292						
05			331		345						
06			383		397						

# Bevel gearbox dimensions

Gearboxes with mounting flange for Atex category 2GD, 3GD (zone 1, 21, 2, 22)



Gearbox <b>GKROO-2N HAK</b>		Drive size								
		1D	2D	1E	2E	3E	4E	1F	2F	3F
		Corresponds to IEC motor								
		90	80	100 112	90	80	90	100 112	90	90
Housing	k <sub>1</sub>	115			110		130	139		159
	k <sub>2</sub>	180			180		180	180		180
Flange	a <sub>3</sub>	160			160		188	160		188
	b <sub>3</sub> H8	110			110		130	110		130
	c <sub>3</sub>	10			10		20	10		20
	e <sub>3</sub>	130			130		165	130		165
	f <sub>3</sub>	4			4		4	4		4
	s <sub>3</sub> 4 x	9			9		M10	9		M10
	Required motor shafts	d <sub>3</sub>	24	19	28	24	19	24	28	24
l <sub>3</sub> min max.		50	40	30			50	30		50
		50	50	60			50	60		50
U <sub>1</sub>		8	6	8	8	6	8	8	8	8
t <sub>1</sub>	27	21.5	31	27	21.5	27	31	27	27	
Gearbox size		Overall length k								
	05	379			374		394			
	06	431			426		446	455		475

Gearbox size	Gearbox							
	o <sub>1</sub>	p*	p <sub>1</sub>	a	h	k <sub>8</sub>	o	q
04	140	151	63	36	63	28	189	80
05	177	181	82	40	80	47	251	105
06	212	226	100	51	100	54	307	126.5

Gearbox size	Hollow shaft							Output flange						
	d <sup>2)</sup> H7	l	d <sub>1</sub>	l <sub>1</sub>	l <sub>2</sub>	u JS9	t <sup>1)</sup> +0.1	a <sub>2</sub>	b <sub>2</sub> j7	c <sub>2</sub>	e <sub>2</sub>	f <sub>2</sub>	i <sub>2</sub>	s <sub>2</sub> 4 x 90°
04	20	120	30	105	25	6	22.8	120	80	8	100	3	20	7
	25		35			8	27	160	110		130	3.5		9
05	30	143	50	127	25	8	33.3	160	110	12	130	3.5	33.5	9
	35		10			38.3	200	130	165		11			
06	40	170	65	150	30	12	43.3	200	130	12	165	3.5	41.5	11
	45		14			48.8	250	180	215		4	14		

Dimensions in [mm]

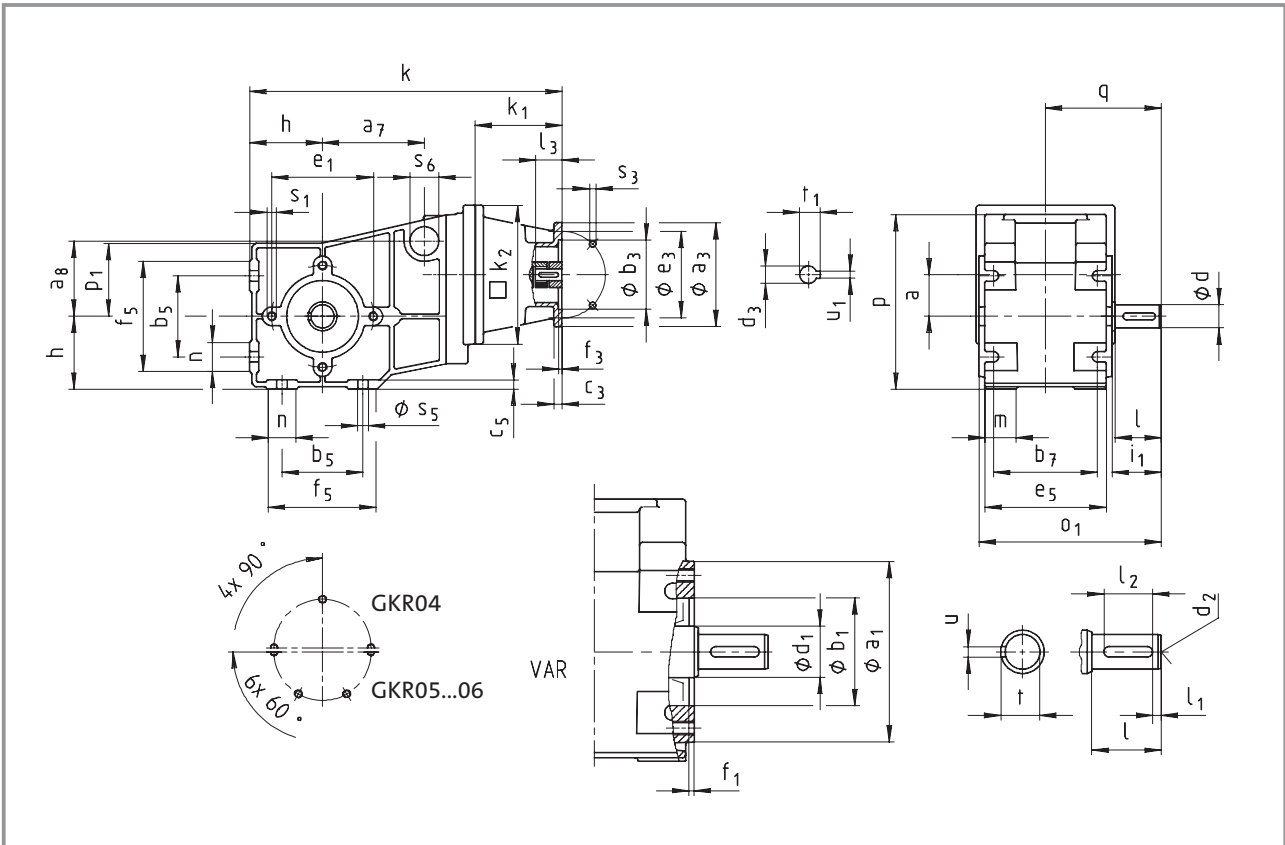
\* Observe dimension k<sub>2</sub>.

<sup>1)</sup> With hollow shaft d = 25 mm, use flat keyway to DIN 6885/3.

<sup>2)</sup> Only in the l<sub>2</sub> range

# Bevel gearbox dimensions

Gearboxes with mounting flange for Atex category 2GD, 3GD (zone 1, 21, 2, 22)



5

Gearbox <b>GKRO0-2N VOR</b>		Drive size								
		1A	1B	2B	1C	2C	3C	4C	6C	7C
		Corresponds to IEC motor								
		63	71	63	80	71	71	71	63	80
Housing	k <sub>1</sub>	75	77	75	91					
	k <sub>2</sub>	120	145	120	145					
Flange	a <sub>3</sub>	90	105	90	160	160	105	120	160	120
	b <sub>3</sub> H8	60	70	60	110	110	70	80	110	80
	c <sub>3</sub>	7	8	7	10	10	8	8	10	8
	e <sub>3</sub>	75	85	75	130	130	85	100	130	100
	f <sub>3</sub>	3	3		4	4	3	3.5	4	3.5
	s <sub>3</sub> 4 x	5.5	6.6	5.5	9	9	6.6	6.6	9	6.6
Required motor shafts	d <sub>3</sub>	11	14	11	19	14	14	14	11	19
	l <sub>3</sub> min max.	23	30	23	25				23	25
		23	30	23	40				40	40
	U <sub>1</sub>	4	5	4	6	5	5	5	4	6
	t <sub>1</sub>	12.5	16	12.5	21.5	16	16	16	12.5	21.5
Gearbox size		Overall length k								
04		271	278	271	292					
05			331		345					
06			383		397					

# Bevel gearbox dimensions

Gearboxes with mounting flange for Atex category 2GD, 3GD (zone 1, 21, 2, 22)



Gearbox <b>GKROO-2N VOR</b>		Drive size									
		1D	2D	1E	2E	3E	4E	1F	2F	3F	
		Corresponds to IEC motor									
		90	80	100 112	90	80	90	100 112	90	90	
Housing	k <sub>1</sub>	115			110		130		139		159
	k <sub>2</sub>	180			180		180		180		180
Flange	a <sub>3</sub>	160			160		188		160		188
	b <sub>3</sub> H8	110			110		130		110		130
	c <sub>3</sub>	10			10		20		10		20
	e <sub>3</sub>	130			130		165		130		165
	f <sub>3</sub>	4			4		4		4		4
	s <sub>3</sub> 4 x	9			9		M10		9		M10
Required motor shafts	d <sub>3</sub>	24	19	28	24	19	24	28	24	24	
	l <sub>3</sub> min max.	50	40	30		50		30		50	
		50	50	60		50		60		50	
	U <sub>1</sub>	8	6	8	8	6	8	8	8	8	
t <sub>1</sub>	27	21.5	31	27	21.5	27	31	27	27		
Gearbox size		Overall length k									
05		379			374		394				
06		431			426		446		455		475

Gearbox size	o <sub>1</sub> *	p*	p <sub>1</sub>	Gearbox a	h	o	q
04	158	151	63	36	63	189	100
05	199	181	82	40	80	251	131.5
06	235	226	100	51	100	307	155

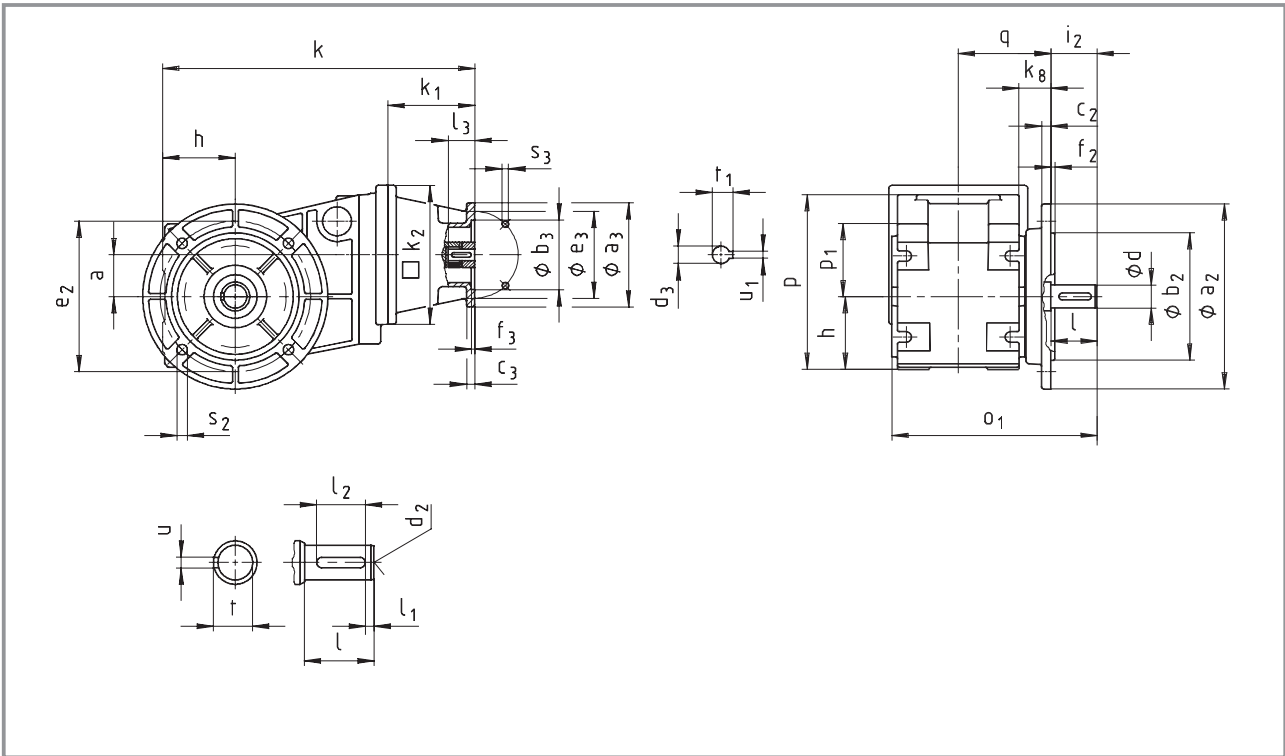
Gearbox size	Solid shaft									Threaded pitch circle					
	d k6	l	d <sub>1</sub>	l <sub>1</sub>	l <sub>2</sub>	d <sub>2</sub>	u	t	a <sub>1</sub>	b <sub>1</sub> J7	e <sub>1</sub>	f <sub>1</sub>	i <sub>1</sub>	s <sub>1</sub>	
04	20	40	30	5	28	M6	6	22.5	104	62	88	3	42.5	M8x16	
05	30	60	50	6	45	M10	8	33	116	80	100	4	64	M8x15	
06	35	70	65	7	56	M12	10	38	140	100	120	4	75	M10x22	

Gearbox size	Foot									Torque plate		
	b <sub>5</sub>	b <sub>7</sub>	c <sub>5</sub>	e <sub>5</sub>	f <sub>5</sub>	n	m	s <sub>5</sub>	a <sub>7</sub>	a <sub>8</sub>	s <sub>6</sub>	
04	70	90	8	105	95	25	28	9	88	65	25x17	
05	100	100	11	115	138	48	27	9		-		
06	120	125	12	145	164	53	32	11		-		

Dimensions in [mm] \* Observe dimension k<sub>2</sub>.

# Bevel gearbox dimensions

Gearboxes with mounting flange for Atex category 2GD, 3GD (zone 1, 21, 2, 22)



5

Gearbox <b>GKROO-2N VAK</b>		Drive size								
		1A	1B	2B	1C	2C	3C	4C	6C	7C
		Corresponds to IEC motor								
		63	71	63	80	71	71	71	63	80
Housing	k <sub>1</sub>	75	77	75	91					
	k <sub>2</sub>	120	145	120	145					
Flange	a <sub>3</sub>	90	105	90	160	160	105	120	160	120
	b <sub>3</sub> H8	60	70	60	110	110	70	80	110	80
	c <sub>3</sub>	7	8	7	10	10	8	8	10	8
	e <sub>3</sub>	75	85	75	130	130	85	100	130	100
	f <sub>3</sub>	3	3	3	4	4	3	3.5	4	3.5
	s <sub>3</sub> 4 x	5.5	6.6	5.5	9	9	6.6	6.6	9	6.6
Required motor shafts	d <sub>3</sub>	11	14	11	19	14	14	14	11	19
	l <sub>3</sub> min max.	23	30	23	25				23	25
		23	30	23	40				40	40
	U <sub>1</sub>	4	5	4	6	5	5	5	4	6
t <sub>1</sub>	12.5	16	12.5	21.5	16	16	16	12.5	21.5	
Gearbox size	Overall length k									
04	271	278	271	292						
05		331		345						
06		383		397						



# Bevel gearbox dimensions

Gearboxes with mounting flange for Atex category 2GD, 3GD (zone 1, 21, 2, 22)



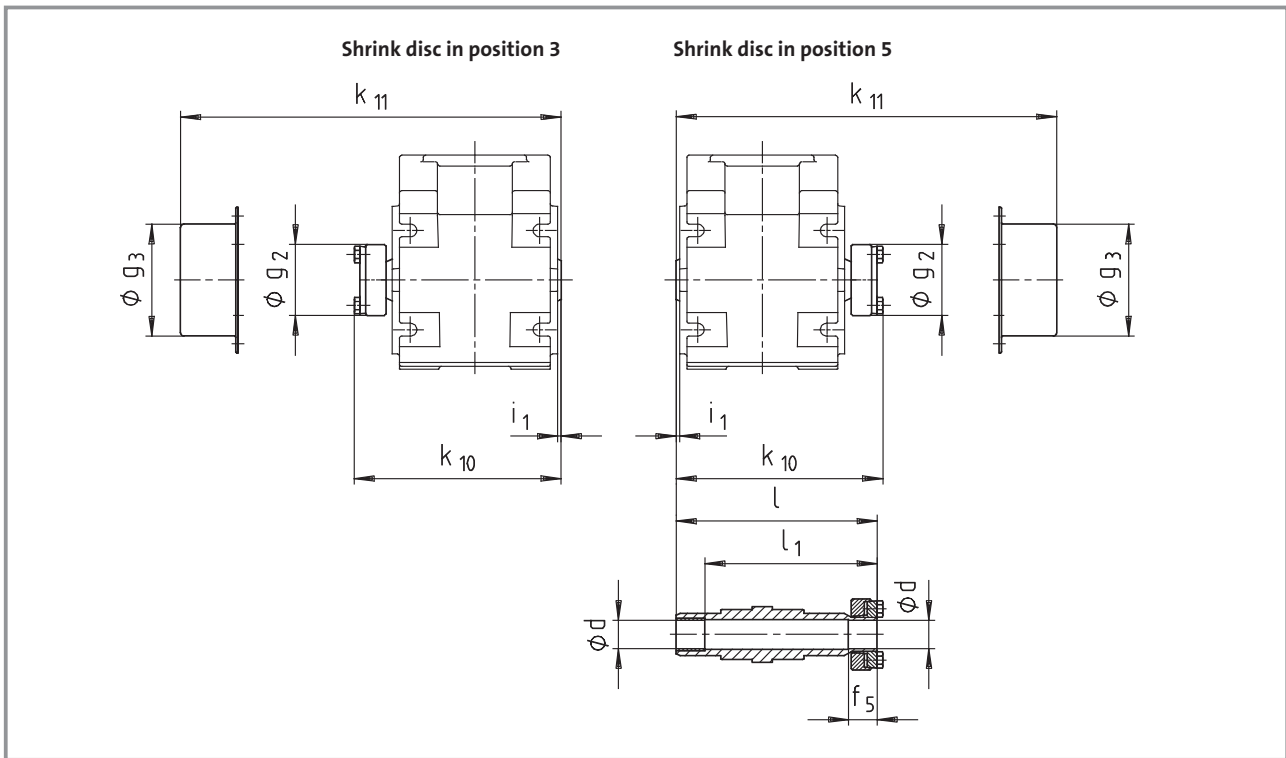
Gearbox <b>GK□□-2N VAK</b>		Drive size								
		1D	2D	1E	2E	3E	4E	1F	2F	3F
		Corresponds to IEC motor								
		90	80	100 112	90	80	90	100 112	90	90
Housing	k <sub>1</sub>	115			110		130	139		159
	k <sub>2</sub>	180			180		180	180		180
Flange	a <sub>3</sub>	160			160		188	160		188
	b <sub>3</sub> H8	110			110		130	110		130
	c <sub>3</sub>	10			10		20	10		20
	e <sub>3</sub>	130			130		165	130		165
	f <sub>3</sub>	4			4		4	4		4
	s <sub>3</sub> 4 x	9			9		M10	9		M10
Required motor shafts	d <sub>3</sub>	24	19	28	24	19	24	28	24	24
	l <sub>3</sub> min max.	50	40	30			50	30		50
		50	50	60			50	60		50
	U <sub>1</sub>	8	6	8	8	6	8	8	8	8
t <sub>1</sub>	27	21.5	31	27	21.5	27	31	27	27	
Gearbox size	Overall length k									
05	379			374		394				
06	431			426		446	455		475	

Gearbox size	o <sub>1</sub> *	p*	p <sub>1</sub>	a	h	o	q	k <sub>8</sub>
04	178	151	63	36	63	189	80.5	28
05	233	181	82	40	80	251	105	47
06	277	226	100	51	100	307	126.5	54

Gearbox size	Solid shaft							Output flange						
	d k6	l	l <sub>1</sub>	l <sub>2</sub>	d <sub>2</sub>	u	t	a <sub>2</sub>	b <sub>2</sub> j7	c <sub>2</sub>	e <sub>2</sub>	f <sub>2</sub>	i <sub>2</sub>	s <sub>2</sub> 4 x 90°
04	20	40	5	28	M6	6	22.5	120 160	80 110	8	100 130	3 3.5	40	7 9
05	30	60	6	45	M10	8	33	160 200	11 130	12	130 165	3.5	60	9 11
06	35	70	7	56	M12	10	38	200 250	130 180	12	165 215	3.5 4	70	11 14

Dimensions in [mm] \* Observe dimension k<sub>2</sub>.

### Hollow shaft with shrink disc



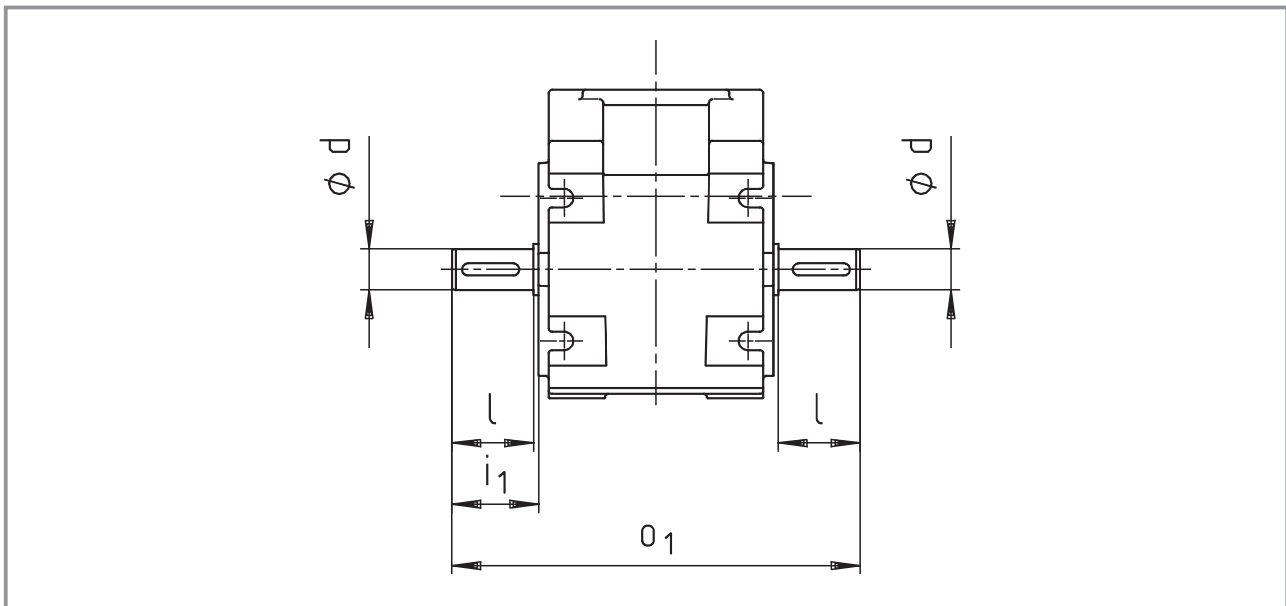
Gearbox size	Machine shaft*		Hollow shaft with shrink disc						Cover	
	d	Fit	$i_1$	$g_2$	$k_{10}$	$l$	$l_1$	$f_5$	$g_3$	$k_{11}$
04	20	h6	2.5	50	144		140	120	20	79 160
05	30/35	h6	4	80	176.5		171	151	28	90 184
06	40	h6	5	90	209.5		204	174	30	100 216

Dimensions in [mm]

\*Ensure that the strength of the shaft material is adequate in shrink disc designs. When using typical steels (e.g. C45, 42CrMo4), the torques listed in the selection tables can be used without restriction. When using material that is considerably weaker, please consult us. The average surface roughness  $R_z$  must not exceed 15  $\mu\text{m}$  (turning operation is sufficient).



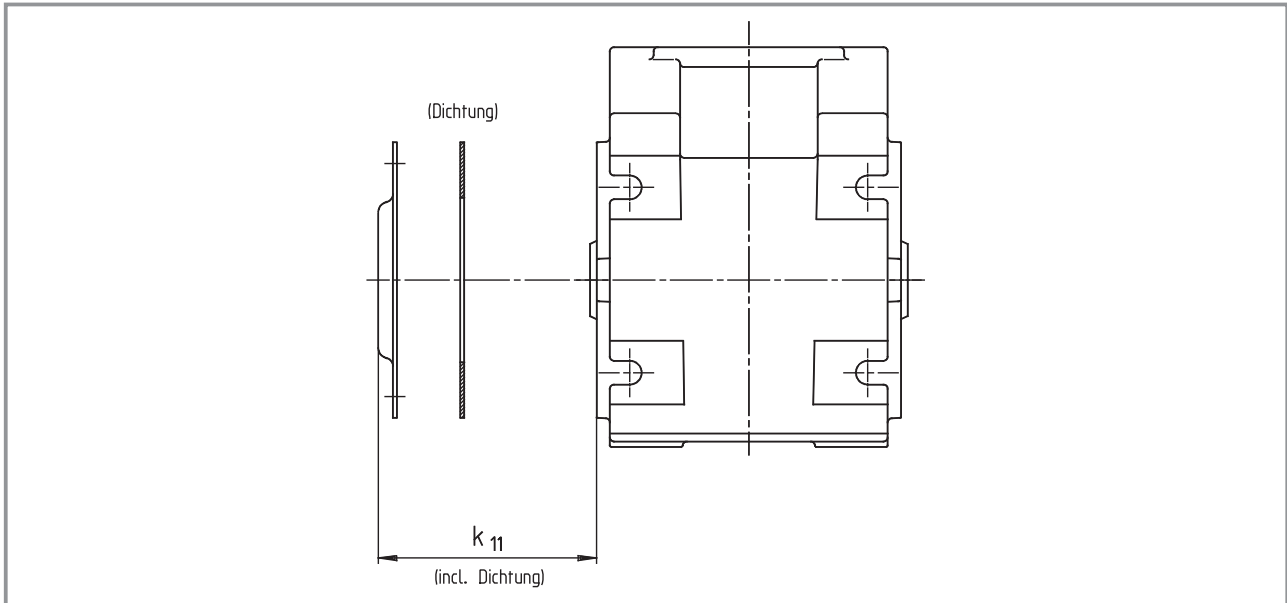
## Gearbox with 2nd output shaft end



Gearbox size	d k6	l	i <sub>1</sub>	o <sub>1</sub>
04	20	40	42.5	200
05	30	60	64	263
06	35	70	75	310

Dimensions in [mm]

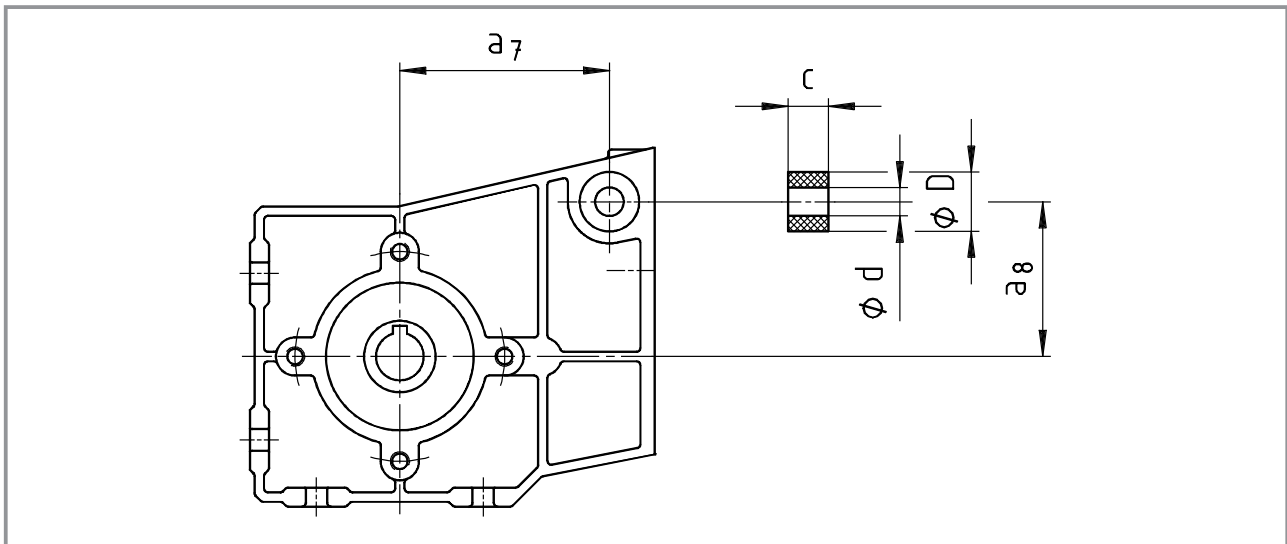
## Hoseproof hollow shaft cover



Gearbox size	Cover $k_{11}$
04	11
05	12
06	13

5

## Rubber buffer for torque plate



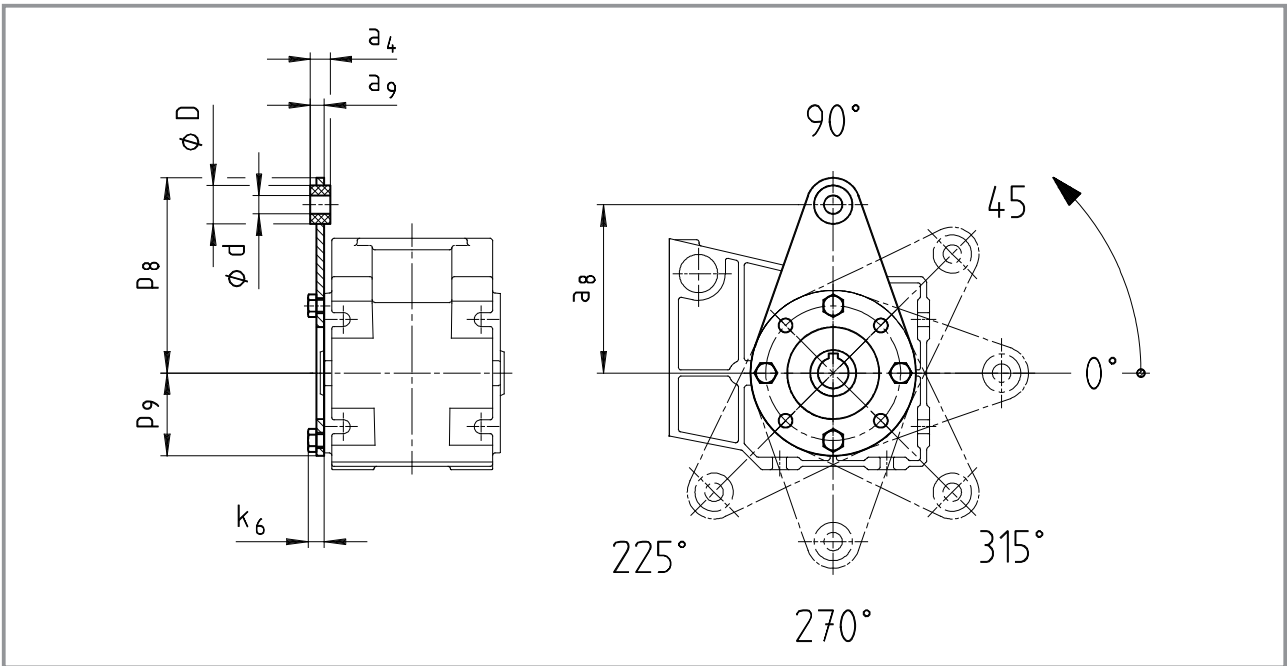
Gearbox size	d	D	c	$a_7$	$a_8$
04	10	25	13	88	65

Dimensions in [mm]

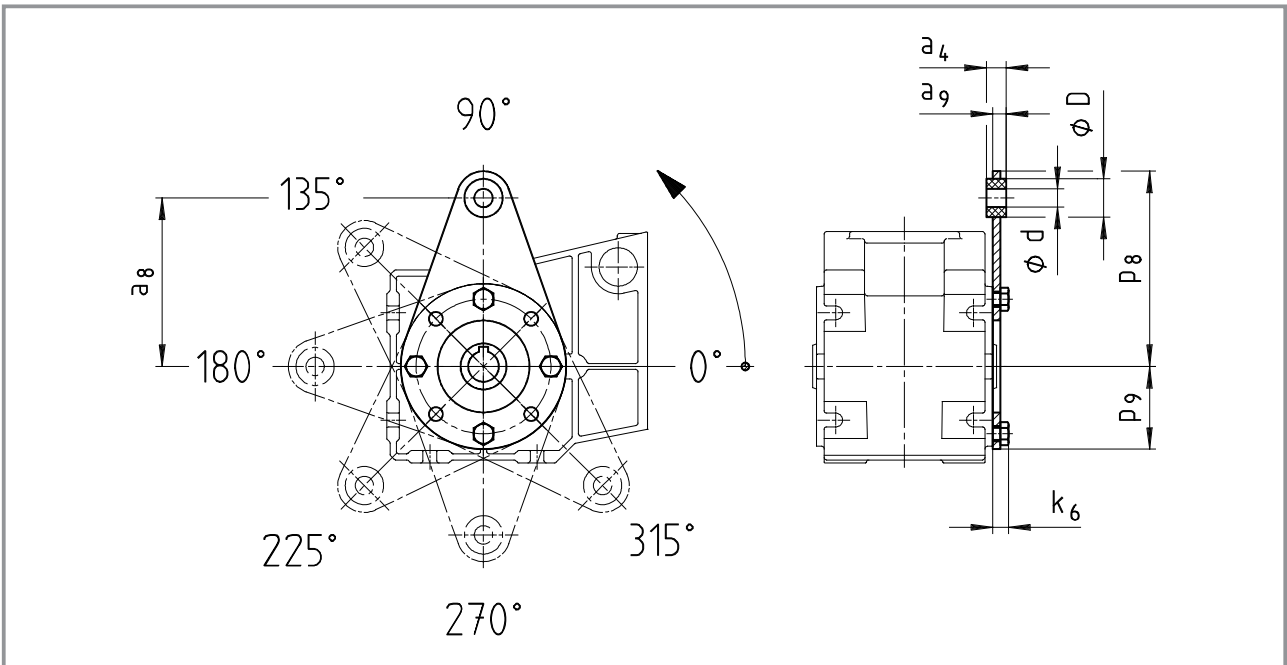
With mounting position C and category 2, the torque plate is only possible in position 3.



## GKR04 Torque plate at pitch circle in position 3



## GKR04 Torque plate at pitch circle in position 5



Gearbox size	Torque plate							
	a <sub>4</sub>	a <sub>8</sub>	a <sub>9</sub>	d	D	k <sub>6</sub>	P <sub>8</sub>	P <sub>9</sub>
04	13	110	9	10	25	11	128	52

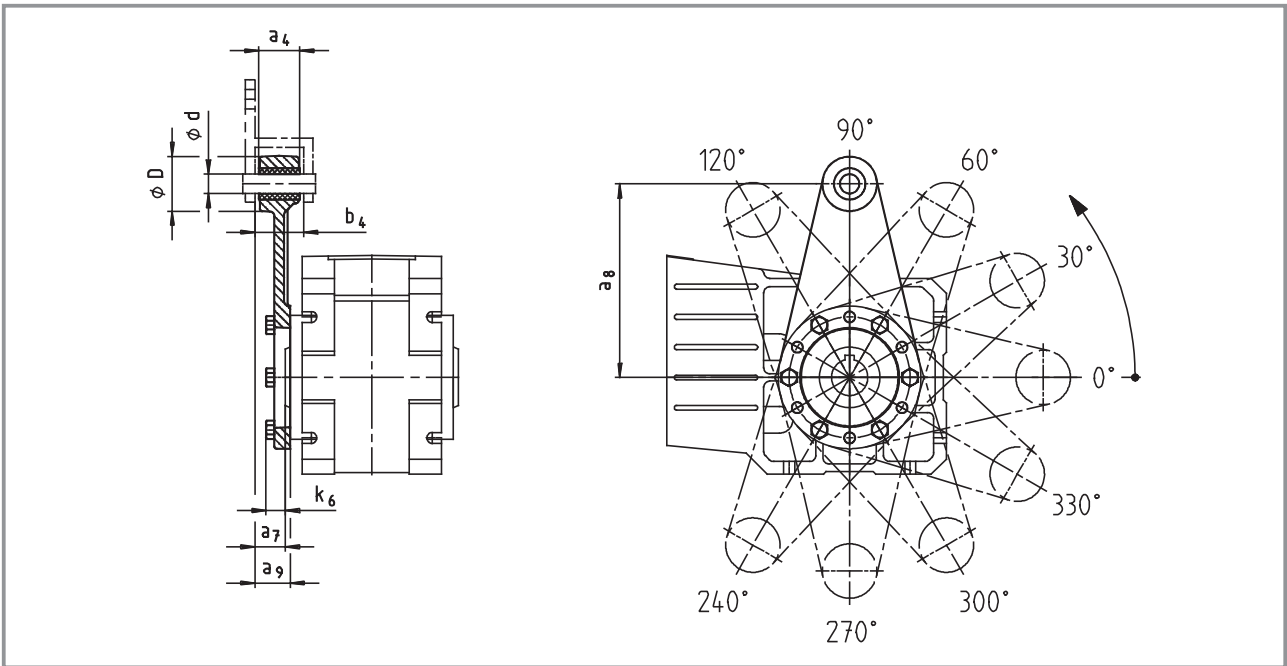
Dimensions in [mm]

# Bevel gearbox dimensions

Other dimensions GKR□□

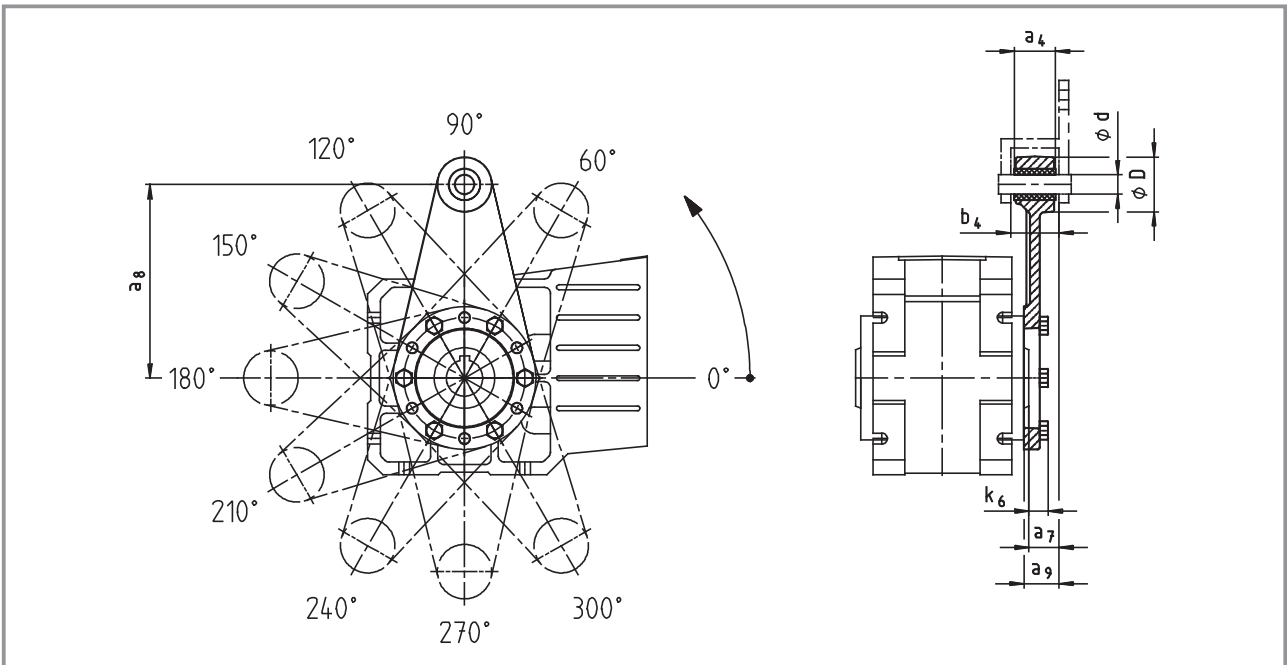
## GKR05/06

### Torque plate at pitch circle in position 3



## GKR05/06

### Torque plate at pitch circle in position 5

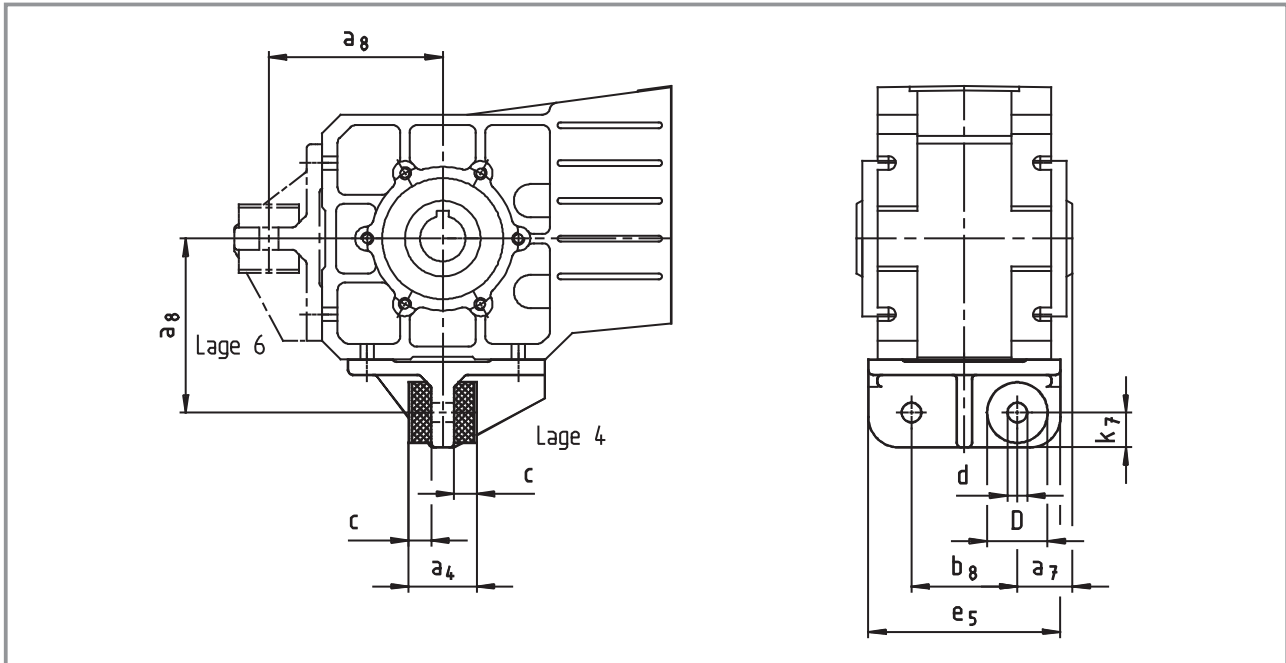


Gearbox size	Assembly space		Torque plate						
	a <sub>7</sub>	b <sub>4</sub>	a <sub>4</sub>	a <sub>8</sub>	a <sub>9</sub>	d	D	k <sub>6</sub>	
05	23.5	38.5	34	160	27.5	16	45	16	
06	28	44.5	40	200	33	20	50	18	

Dimensions in [mm]



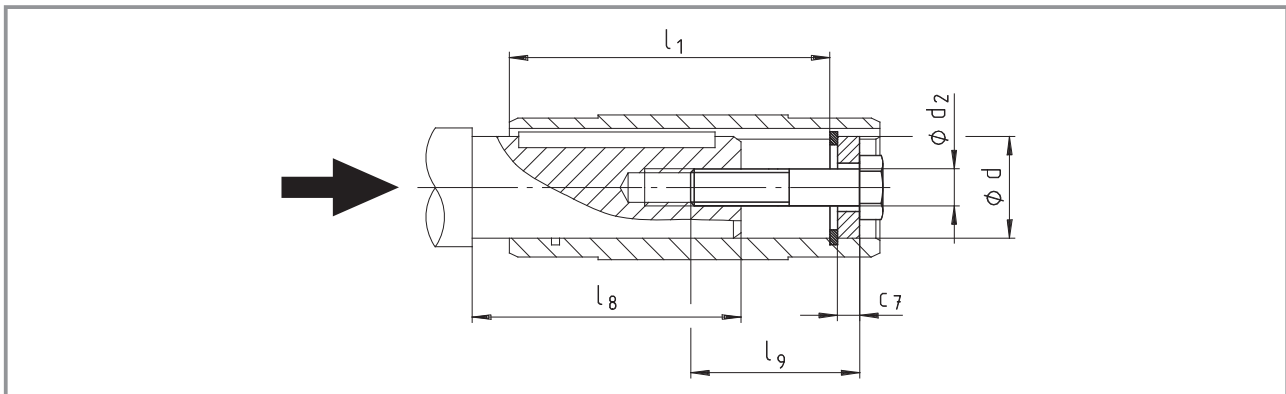
## Torque plate on housing foot



Gearbox size	a <sub>4</sub>	a <sub>7</sub>	a <sub>8</sub>	b <sub>8</sub>	c	d	D	e <sub>5</sub>	k <sub>7</sub>
05	45	36.5	115	70	15	13	40	127	23
06	72	45	145	80	27	17	50	145	28

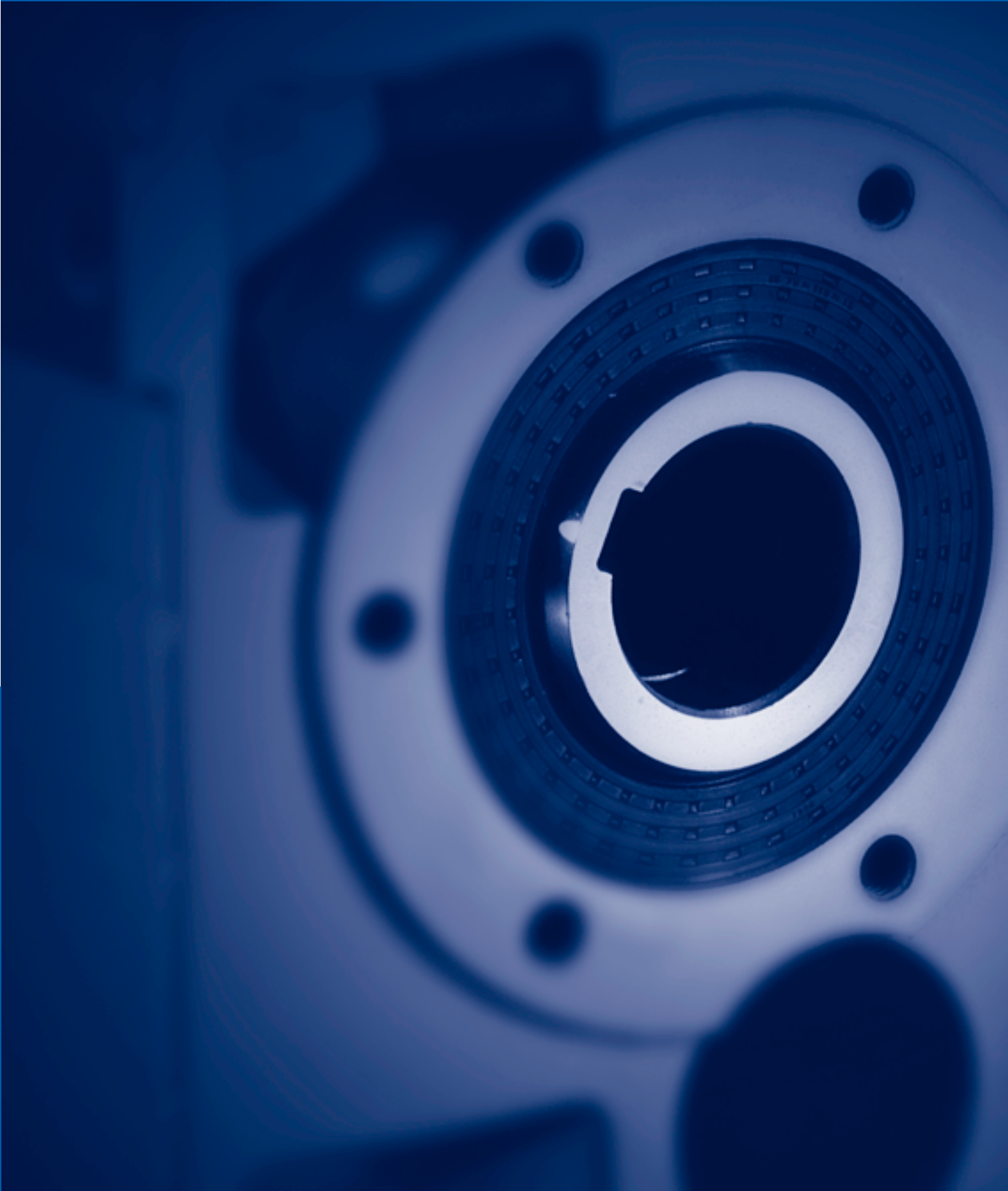
Dimensions in [mm]

## Mounting set for hollow shaft circlip - Proposed design for auxiliary tools



Gearbox size	Hollow shaft (design H)			Mounting set for hollow shaft circlip (mounting auxiliary tool)		
	l	l <sub>1</sub>	d H7	d <sub>2</sub>	l <sub>9</sub>	c <sub>7</sub>
04	120	105	20	M6	40	4
			25	M10		5
05	143	127	30	M10	40	6
			35	M12		7
06	170	150	40	M16	60	8
			45			

Dimensions in [mm]





## Technical data

Permissible radial and axial forces	
Output	6-2
Output backlash	6-4
Position of ventilation, sealing elements and oil control	6-5
Compensation reservoir for mounting position C	6-7
Weights	6-8
Geared motors	6-8
Gearboxes with mounting flange	6-9
Additional weights	6-10

## Selection tables

Geared motors for	
Atex category 2G, 2D, 3G, 3D (zone 1, 21, 2, 22)	6-12
Gearboxes with mounting flange for	
Atex category 2GD, 3GD (zone 1, 21, 2, 22)	6-22

## Dimensions

Geared motors for	
Atex category 2G, 2D, 3G, 3D (zone 1, 21, 2, 22)	6-70
Gearboxes with mounting flange for	
Atex category 2GD, 3GD (zone 1, 21, 2, 22)	6-86
Other dimensions	6-102
Hollow shaft with shrink disc	6-102
With second output shaft end	6-103
Hoseproof hollow shaft cover	6-104
Torque plate at threaded pitch circle	6-105
Torque plate at housing foot	6-106
Mounting set for hollow shaft circlip	6-107
Proposed design for auxiliary tools	6-107

### Helical-bevel gearbox GKS□□

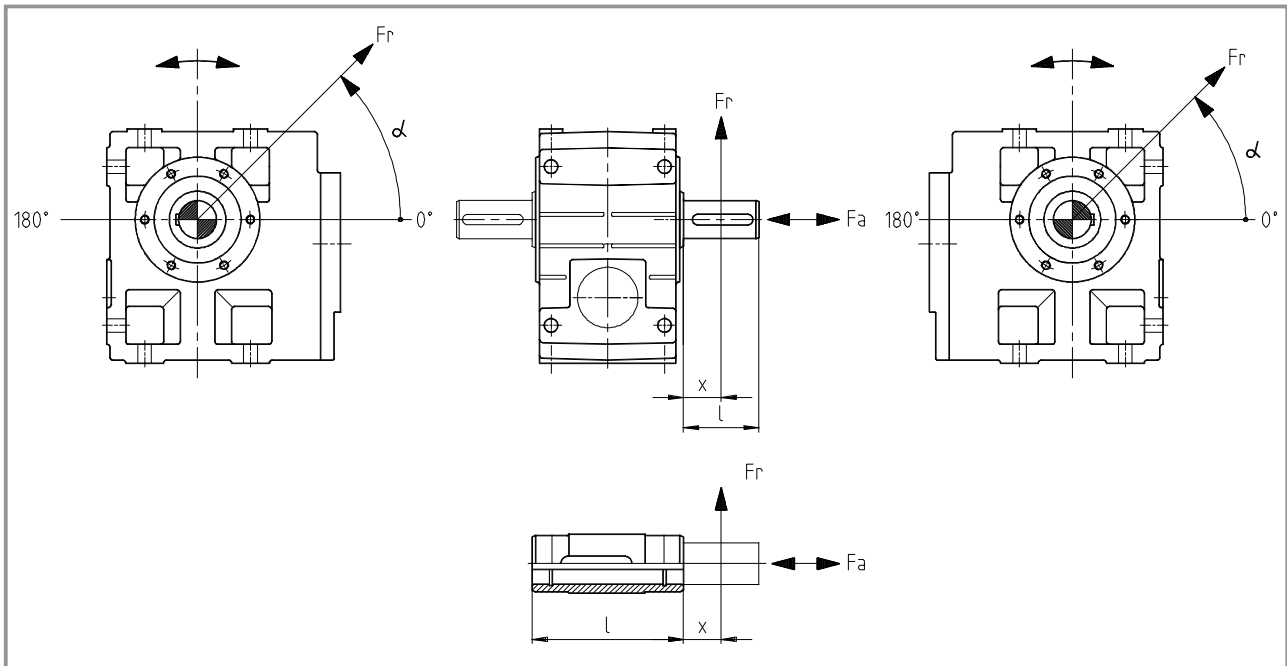
#### Permissible radial force

$$F_{r \text{ perm}} = \min (f_w \cdot f_\alpha \cdot F_{r \text{ Tab}} ; f_w \cdot F_{r \text{ max}})$$

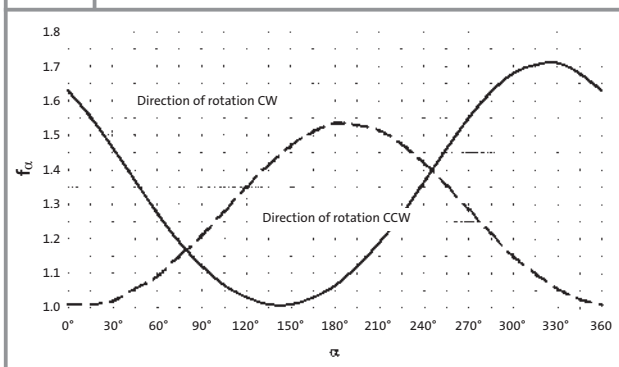
#### Permissible axial force

$$F_{a \text{ perm}} = F_{a \text{ Tab}} \quad \text{at } F_r = 0$$

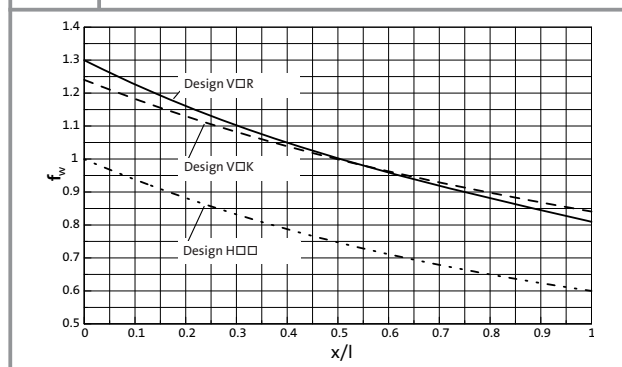
Contact Lenze      if  $F_r$  and  $F_a \neq 0$



**$f_\alpha$**  Effective direction factor at output shaft



**$f_w$**  Additional load factor at output shaft



# Technical data - Helical-bevel gearboxes

## Permissible radial and axial forces - Output

### Helical-bevel gearbox GKS□□

VAK	Solid shaft with flange Application of force $F_r$ : Centre of shaft journal ( $x = l/2$ ) $F_{aTab}$ only valid for $F_r = 0$													
	GKS04		GKS05		GKS06		GKS07		GKS09		GKS11		GKS14	
$n_2$ [rpm]	$F_{rTab}$ [N]	$F_{aTab}$ [N]	$F_{rTab}$ [N]	$F_{aTab}$ [N]	$F_{rTab}$ [N]	$F_{aTab}$ [N]	$F_{rTab}$ [N]	$F_{aTab}$ [N]	$F_{rTab}$ [N]	$F_{aTab}$ [N]	$F_{rTab}$ [N]	$F_{aTab}$ [N]	$F_{rTab}$ [N]	$F_{aTab}$ [N]
400	2500	4200	3000	2400	4200	3100	4600	3800	6600	4000	9600	4600	13600	5600
250	2800	2900	3600	2900	5000	3900	5500	4600	7000	4400	10600	5000	15800	6600
160	3000	2900	4100	3600	5800	4800	6400	5600	8000	5000	11700	5600	18100	7600
100	3000	2900	4600	4400	6500	6100	7300	6900	9300	6600	14000	7000	20800	8600
63	3000	2900	4600	4400	6600	6600	8600	7600	10000	8000	16300	8600	23300	10000
40	3000	2900	4600	4400	6600	6600	9300	7600	10000	10000	18600	11600	27300	12600
25	3000	2900	4600	4400	6600	6600	9300	7600	10000	11300	20000	18000	28600	18600
≤ 16	3000	2900	4600	4400	6600	6600	9300	7600	10000	11300	20000	18000	28600	23300
$F_{rmax}$	3000	–	4600	–	6600	–	9300	–	10000	–	20000	–	28600	–

VQR	Solid shaft without flange Application of force $F_r$ : centre of shaft journal ( $x = l/2$ ) $F_{aTab}$ only valid for $F_r = 0$													
	GKS04		GKS05		GKS06		GKS07		GKS09*		GKS11*		GKS14	
$n_2$ [rpm]	$F_{rTab}$ [N]	$F_{aTab}$ [N]	$F_{rTab}$ [N]	$F_{aTab}$ [N]	$F_{rTab}$ [N]	$F_{aTab}$ [N]	$F_{rTab}$ [N]	$F_{aTab}$ [N]	$F_{rTab}$ [N]	$F_{aTab}$ [N]	$F_{rTab}$ [N]	$F_{aTab}$ [N]	$F_{rTab}$ [N]	$F_{aTab}$ [N]
400	2000	2800	1800	2300	2400	2900	2600	3200	4100	4300	4700	4600	38600	23300
250	2200	3300	2100	2800	2800	3700	3200	4100	4200	4900	5000	5300	40600	23300
160	2400	3600	2400	3300	3200	4600	3800	5200	4700	5300	5400	6100	42700	23300
100	2400	3600	2700	4100	3500	5800	4400	6600	5600	7000	6600	8000	43300	23300
63	2400	3600	3200	4400	4100	6600	5300	8400	6300	8600	7400	9600	43300	23300
40	2400	3600	3800	4400	5200	6600	6400	9300	7800	11300	8600	12300	43300	23300
25	2400	3600	3800	4400	6000	6600	8000	9300	10600	14000	12600	18000	43300	23300
< 16	2400	3600	3800	4400	6000	6600	8000	9300	12000	14000	15300	18000	43300	23300
$F_{rmax}$	2400	–	3800	–	6000	–	8000	–	12000	–	15300	–	43300	–

H□□	Hollow shaft Application of force $F_r$ : at hollow shaft end face ( $x = 0$ ) $F_{aTab}$ only valid for $F_r = 0$													
	GKS04		GKS05		GKS06		GKS07		GKS09		GKS11		GKS14	
$n_2$ [rpm]	$F_{rTab}$ [N]	$F_{aTab}$ [N]	$F_{rTab}$ [N]	$F_{aTab}$ [N]	$F_{rTab}$ [N]	$F_{aTab}$ [N]	$F_{rTab}$ [N]	$F_{aTab}$ [N]	$F_{rTab}$ [N]	$F_{aTab}$ [N]	$F_{rTab}$ [N]	$F_{aTab}$ [N]	$F_{rTab}$ [N]	$F_{aTab}$ [N]
400	2600	2800	2300	2300	3000	2900	3600	3200	5000	4300	6000	4600	10000	4000
250	3000	3300	2800	2800	3700	3700	4200	4100	5400	4900	6600	5300	10300	5300
160	3400	3600	3000	3300	4200	4600	4900	5200	6200	5300	7300	6100	11000	6600
100	3900	3600	3300	4100	4600	5800	5800	6600	7000	7000	9300	8000	11600	8600
63	4500	3600	4100	4400	5400	6600	7000	8400	8100	8600	10600	9600	12300	10600
40	4600	3600	4800	4400	6900	6600	8300	9300	10300	11300	12300	12300	14000	13300
25	4600	3600	4800	4400	8000	6600	10000	9300	14000	14000	16600	18000	18600	18600
< 16	4600	3600	4800	4400	8000	6600	10600	9300	16000	14000	20000	18000	26600	23300
$F_{rmax}$	4600	–	4800	–	8000	–	10600	–	16000	–	20000	–	30000	–

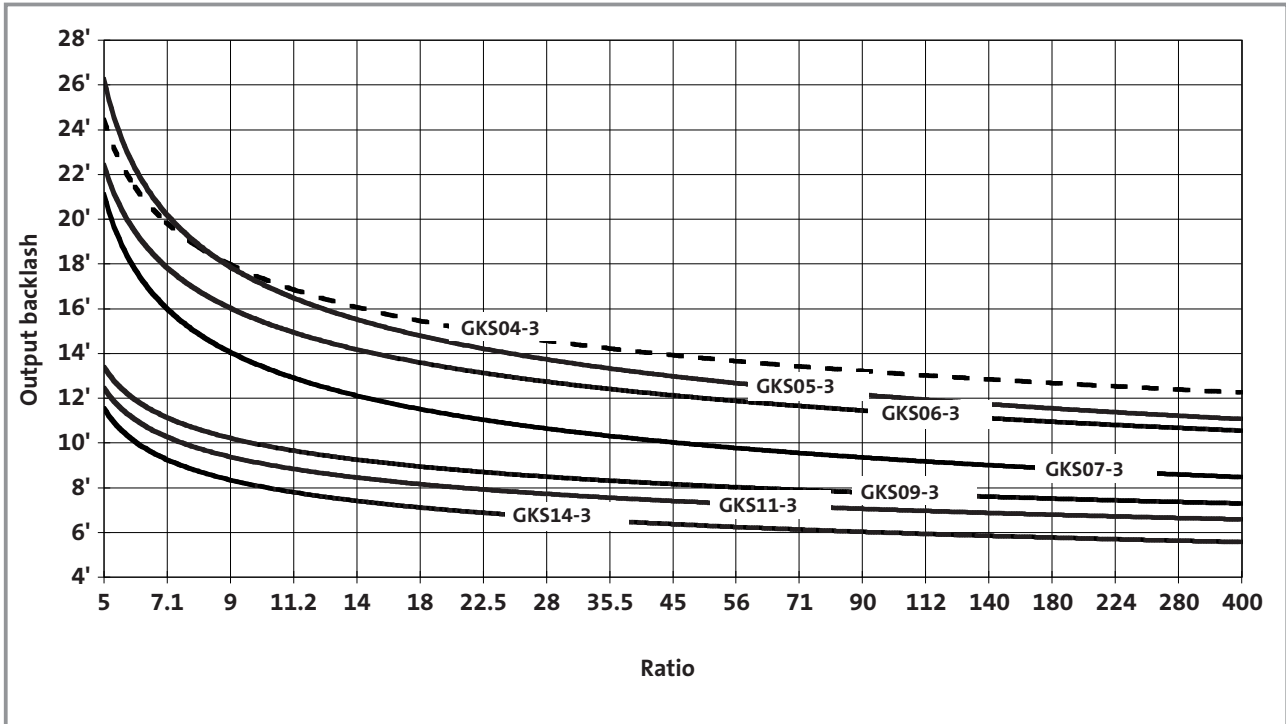
\* A reinforced output shaft bearing is available on request for VQR designs.

Neither radial nor axial forces are permitted on hollow shafts with shrink discs (S□□).

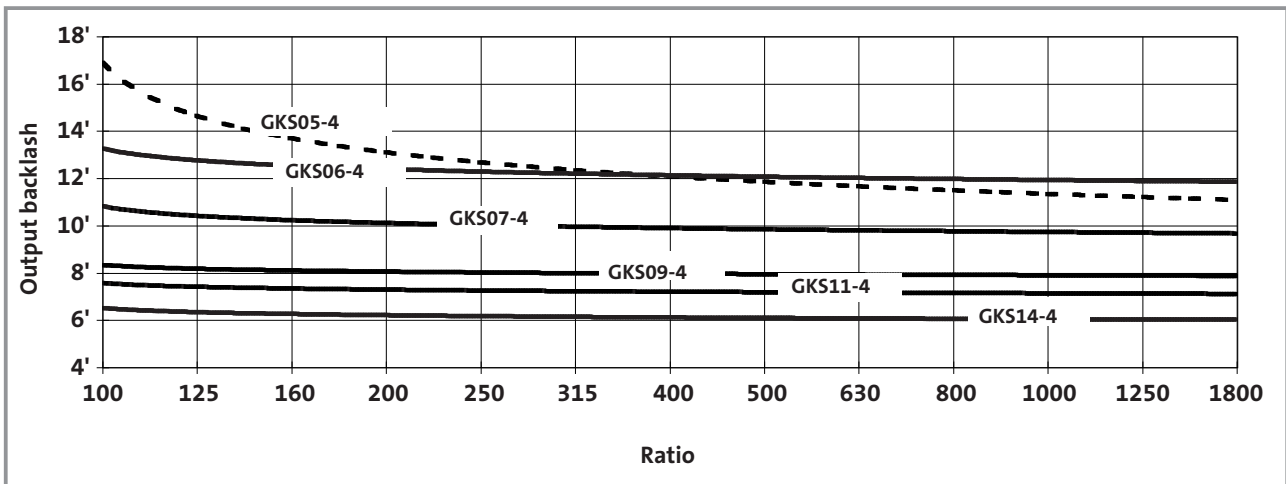
# Technical data - Helical-bevel gearboxes

## Output backlash in angular minutes

Helical-bevel gearbox GKS□□-3



Helical-bevel gearboxes GKS□□-4



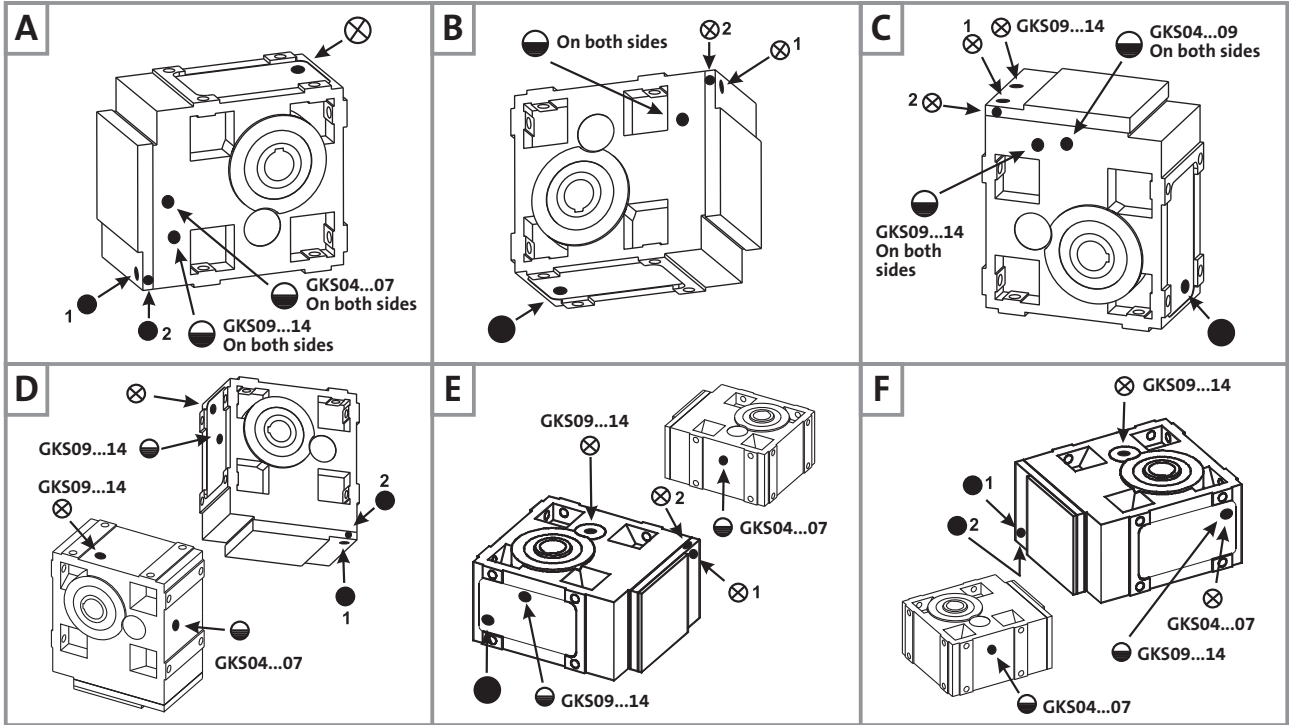
# Technical data - Helical-bevel gearboxes

Position of ventilation, sealing elements and oil control

GKS04...14-3 with oil-sight glass

GKS07...09-3 with ventilation (option), oil filler and oil drain plugs

GKS09...14-3 with ventilation, oil filler and oil drain plugs



(A ... F) Mounting position

⊗ Ventilation/oil filler plug  
● Oil drain plug

● Oil-sight glass

Pos. 1 standard

Pos. 2 only with GKS05-3M □□□ 090/100  
GKS05-3N □□□ 0D/□E  
GKS06-3M □□□ 112  
GKS07-3N □□□ 0H

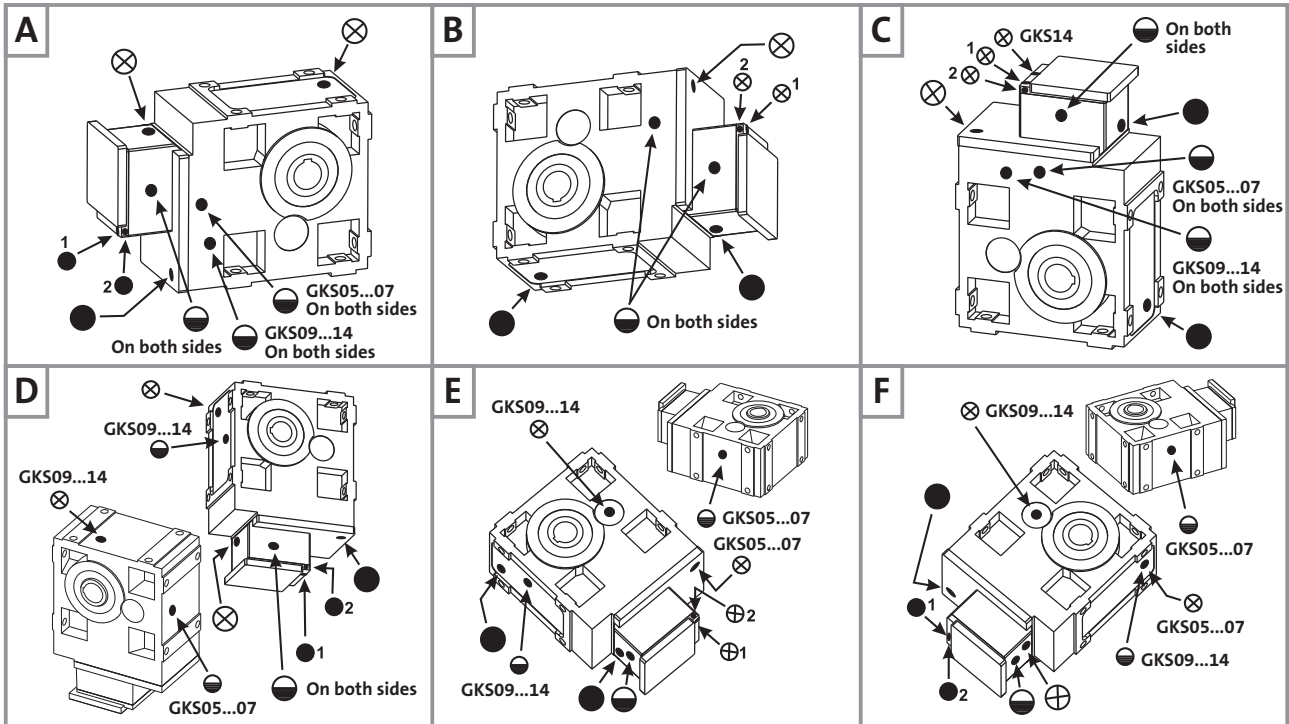
# Technical data - Helical-bevel gearboxes

Position of ventilation, sealing elements and oil control

GKS05...14-4 with oil-sight glass

GKS05...07-4 with ventilation (option), oil filler and oil drain plugs

GKS09...14-4 with ventilation, oil filler and oil drain plugs



(A ... F) Mounting position

⊗ Ventilation/oil filler plug

● Oil drain plug

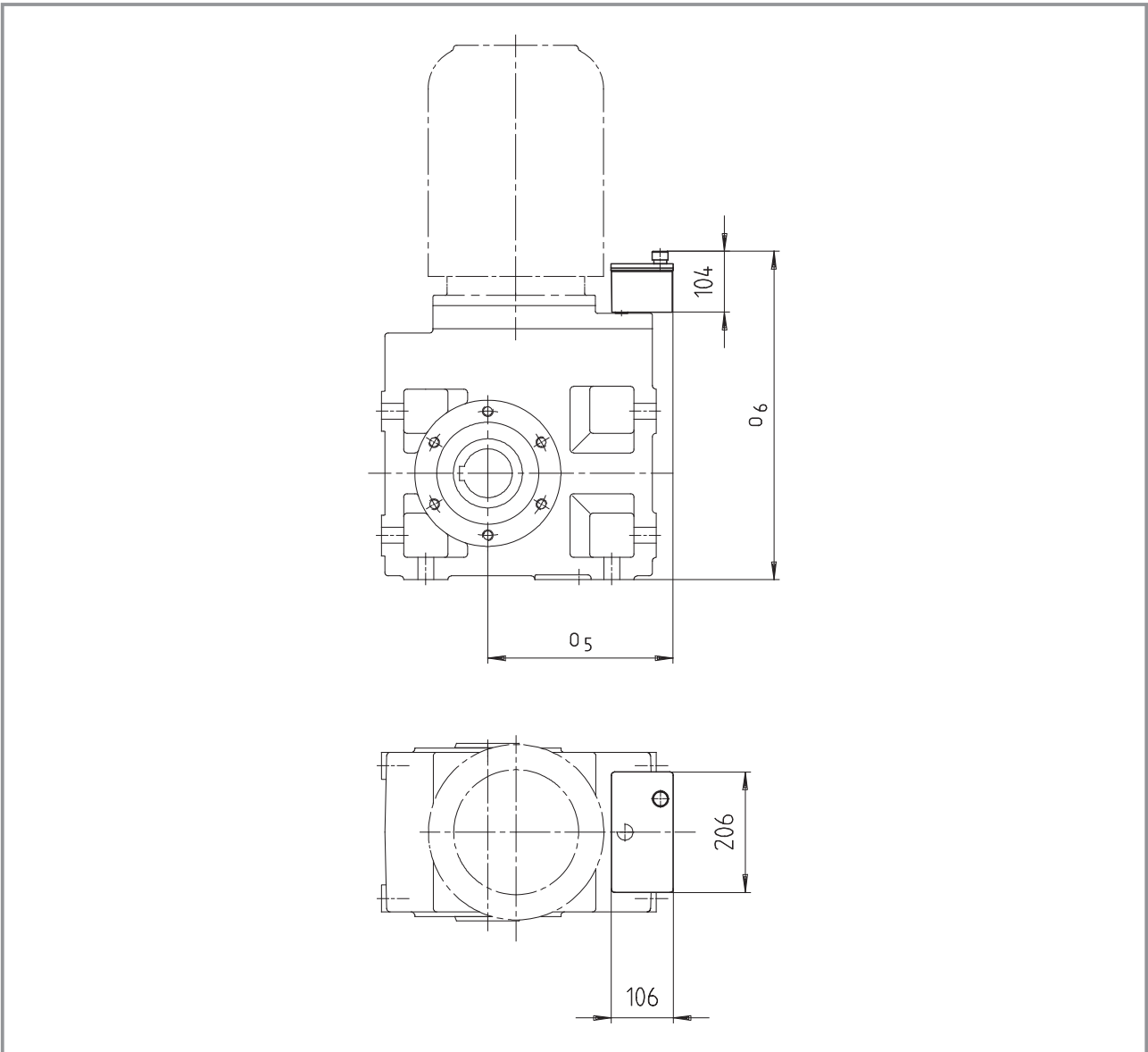
◐ Oil-sight glass

Pos. 1 standard

Pos. 2 only with GKS07-4M □□□ 090/100  
 GKS07-4N □□□ □D/□E  
 GKS09-4M □□□ 112  
 GKS11-4N □□□ □H

# Technical data - Helical-bevel gearboxes

## Reservoir for mounting position C



Helical-bevel gearbox GKS□□-3M GKS□□-3N		Motor frame size / drive size			
		90/100 □D/□E/□F	112	□G	□H/□K
09	o <sub>5</sub>	243	265	282	297
	o <sub>6</sub>	533	533	533	533
11	o <sub>5</sub>	258	280	304	318
	o <sub>6</sub>	626	630	630	630
14	o <sub>5</sub>		313	343	343
	o <sub>6</sub>		739	739	739

Terminal box position 4 is not permissible.

### GKS□□-3M H□R

Gearbox size	Motor frame size					
	063 □□□	071 □□□	080 □□□	090 □□□	100 □□□	112 -22
04	16	18	23	31		
05	26	28	33	41	50	
06	40	42	47	55	64	77
07			72	81	90	102
09				129	138	150
11					238	249
14						420

### GKS□□-4M H□R

Gearbox size	Motor frame size					
	063 □□□	071 □□□	080 □□□	090 □□□	100 □□□	112 -22
05	27	29	34			
06	44	46	51	58		
07	74	76	80	89	98	
09	127	129	134	142	151	164
11			242	250	259	271
14				435	444	449

Weights in [kg] with oil capacity for mounting position A. All data is approximate.

Note the additional weights on page 6-9.



# Technical data - Helical-bevel gearboxes

## Weights - Gearboxes with mounting flange



### GKS□□-3N H□R

Gearbox size	Drive size														
	1A	1B 2B	□C	□D	1E 2E 3E	4E	1F 2F	3F	1G 3G	2G	1H	2H	3H	1K	2K
04	15	15	18	21											
05		25	28	31	33	37									
06		39	42	45	48	51	49	53							
07			68	71	73	77	75	79	98	95	106		102		
09				119	122	125	123	126	147	144	155	159	151	175	
11					221	225	222	225	245	242	253	257	249	273	280
14									413	410	421	425	417	440	447

### GKS□□-4N H□R

Gearbox size	Drive size												
	1A	1B 2B	□C	□D	1E 2E 3E	4E	1F 2F	3F	1G 3G	2G	1H	2H	3H
05	25	26	29										
06	42	43	46	49									
07		73	76	79	81	85							
09		126	129	132	135	138	136	140					
11			237	240	242	246	244	248	267	264			
14				425	428	431	429	432	453	450	461	465	457

Weights in [kg] with oil capacity for mounting position A. All data is approximate.

Note the additional weights on page 6-10.

### Gearbox additional weights

Gearbox size	Solid shaft V□□	Second output shaft end V□□	Hollow shaft with shrink disc S□□	Flange □AK	Torque plate housing foot	Torque plate threaded pitch circle
<b>04</b>	0.6	0.2	0.6	2.5	1.3	0.9
<b>05</b>	1.0	0.3	0.8	4.0	2.2	1.3
<b>06</b>	2.5	0.8	1.0	7.0	3.7	2.1
<b>07</b>	5.0	1.5	1.5	11	6.6	3.7
<b>09</b>	8.0	2.7	3.0	16	13	
<b>11</b>	16	6.3	5.0	24	23	
<b>14</b>	33	12	11	33	44	

Weights in [kg]



# Helical-bevel gearbox selection tables

Geared motors for Atex category 2G, 2D, 3G, 3D (zone 1, 21, 2, 22)

50 Hz			i	Helical-bevel geared motor	Consultation required for mounting position
n <sub>2</sub> [rpm]	M <sub>2</sub> [Nm]	c			
<b>P<sub>1</sub> = 0.12 kW</b>					
140	8	5.2	9.836	GKS04 - 3M□□□ 063-12	
61	18	5.2	22.522	GKS04 - 3M□□□ 063-12	
55	20	5.2	25.088	GKS04 - 3M□□□ 063-12	
48	23	4.8	28.727	GKS04 - 3M□□□ 063-12	
43	25	4.8	32.000	GKS04 - 3M□□□ 063-12	
31	35	5.3	44.240	GKS04 - 3M□□□ 063-12	
27	40	4.5	50.943	GKS04 - 3M□□□ 063-12	
24	45	4.2	56.976	GKS04 - 3M□□□ 063-12	
21	51	3.6	64.978	GKS04 - 3M□□□ 063-12	
19	57	3.3	72.210	GKS04 - 3M□□□ 063-12	
15	71	2.7	90.491	GKS04 - 3M□□□ 063-12	
14	79	2.3	100.067	GKS04 - 3M□□□ 063-12	
12	88	1.9	111.467	GKS04 - 3M□□□ 063-12	
11	102	1.8	128.874	GKS04 - 3M□□□ 063-12	
9.6	113	1.5	143.556	GKS04 - 3M□□□ 063-12	
8.5	129	1.5	163.332	GKS04 - 3M□□□ 063-12	
7.6	144	1.2	181.939	GKS04 - 3M□□□ 063-12	
6.7	161	1.2	204.682	GKS04 - 3M□□□ 063-12	
6.6	162	1.9	209.067	GKS05 - 4M□□□ 063-12	
6.2	174	3.1	224.524	GKS06 - 4M□□□ 063-12	
6.1	175	1.5	225.867	GKS05 - 4M□□□ 063-12	
5.8	184	1.8	236.667	GKS05 - 4M□□□ 063-12	
4.9	217	2.5	279.286	GKS06 - 4M□□□ 063-12	
4.4	246	2.9	316.800	GKS06 - 4M□□□ 063-12	
3.8	280	1.9	361.429	GKS06 - 4M□□□ 063-12	
3.8	283	1.2	364.467	GKS05 - 4M□□□ 063-12	
3.4	316	2.2	408.000	GKS06 - 4M□□□ 063-12	
3.0	355	1.5	458.067	GKS06 - 4M□□□ 063-12	
2.7	401	1.8	517.091	GKS06 - 4M□□□ 063-12	
2.5	431	1.2	555.927	GKS06 - 4M□□□ 063-12	
2.2	497	1.4	640.800	GKS06 - 4M□□□ 063-12	
1.7	630	1.1	812.137	GKS06 - 4M□□□ 063-12	
<b>P<sub>1</sub> = 0.18 kW</b>					
139	12	3.5	9.836	GKS04 - 3M□□□ 063-32	
61	27	3.5	22.522	GKS04 - 3M□□□ 063-32	
55	30	3.5	25.088	GKS04 - 3M□□□ 063-32	
48	34	3.2	28.727	GKS04 - 3M□□□ 063-32	
43	38	3.2	32.000	GKS04 - 3M□□□ 063-32	
31	53	3.5	44.240	GKS04 - 3M□□□ 063-32	
27	61	3.0	50.943	GKS04 - 3M□□□ 063-32	
24	68	2.8	56.976	GKS04 - 3M□□□ 063-32	
21	77	2.4	64.978	GKS04 - 3M□□□ 063-32	
19	86	2.2	72.210	GKS04 - 3M□□□ 063-32	
15	108	1.8	90.491	GKS04 - 3M□□□ 063-32	
14	119	1.6	100.067	GKS04 - 3M□□□ 063-32	
12	133	1.3	111.467	GKS04 - 3M□□□ 063-32	
11	154	1.2	128.874	GKS04 - 3M□□□ 063-32	
9.5	171	1.0	143.556	GKS04 - 3M□□□ 063-32	
9.3	172	1.5	146.667	GKS05 - 4M□□□ 063-32	
8.5	190	1.5	161.905	GKS05 - 4M□□□ 063-32	
7.9	204	2.6	174.336	GKS06 - 4M□□□ 063-32	
7.4	217	1.5	185.547	GKS05 - 4M□□□ 063-32	
6.6	245	1.3	209.067	GKS05 - 4M□□□ 063-32	
6.1	263	2.0	224.524	GKS06 - 4M□□□ 063-32	
5.8	277	1.2	236.667	GKS05 - 4M□□□ 063-32	
4.9	327	1.6	279.286	GKS06 - 4M□□□ 063-32	
4.3	371	1.9	316.800	GKS06 - 4M□□□ 063-32	
3.8	423	1.3	361.429	GKS06 - 4M□□□ 063-32	
3.4	478	1.5	408.000	GKS06 - 4M□□□ 063-32	
3.0	537	1.0	458.067	GKS06 - 4M□□□ 063-32	
2.7	606	1.2	517.091	GKS06 - 4M□□□ 063-32	
<b>P<sub>1</sub> = 0.25 kW</b>					
264	9	5.6	5.123	GKS04 - 3M□□□ 071-12	
192	12	5.6	7.025	GKS04 - 3M□□□ 071-12	
165	14	5.6	8.167	GKS04 - 3M□□□ 071-12	
150	15	5.5	8.991	GKS04 - 3M□□□ 071-12	

For dimensions, see page 6-70 onwards.

# Helical-bevel gearbox selection tables

Geared motors for Atex category 2G, 2D, 3G, 3D (zone 1, 21, 2, 22)



50 Hz			i	Helical-bevel geared motor	Consultation required for mounting position
n <sub>2</sub> [rpm]	M <sub>2</sub> [Nm]	c			

### P<sub>1</sub> = 0.25 kW

137	17	5.2	9.836	GKS04 - 3M□□□ 071-12	
115	20	5.6	11.730	GKS04 - 3M□□□ 071-12	
103	22	5.6	13.067	GKS04 - 3M□□□ 071-12	
94	24	5.5	14.333	GKS04 - 3M□□□ 071-12	
84	27	5.6	16.087	GKS04 - 3M□□□ 071-12	
75	30	5.5	17.920	GKS04 - 3M□□□ 071-12	
66	35	5.3	20.588	GKS04 - 3M□□□ 071-12	
60	38	4.8	22.522	GKS04 - 3M□□□ 071-12	
54	42	4.0	25.088	GKS04 - 3M□□□ 071-12	
47	48	3.8	28.727	GKS04 - 3M□□□ 071-12	
42	54	3.1	32.000	GKS04 - 3M□□□ 071-12	
38	59	3.1	35.191	GKS04 - 3M□□□ 071-12	
34	66	2.6	39.200	GKS04 - 3M□□□ 071-12	
31	74	2.5	44.240	GKS04 - 3M□□□ 071-12	
27	86	2.1	50.943	GKS04 - 3M□□□ 071-12	
24	96	2.0	56.976	GKS04 - 3M□□□ 071-12	
21	109	1.7	64.978	GKS04 - 3M□□□ 071-12	
20	112	3.0	66.592	GKS05 - 3M□□□ 071-12	
19	121	1.6	72.210	GKS04 - 3M□□□ 071-12	
18	126	2.5	75.033	GKS05 - 3M□□□ 071-12	
17	134	1.4	79.598	GKS04 - 3M□□□ 071-12	
16	139	2.4	82.833	GKS05 - 3M□□□ 071-12	
15	152	1.3	90.491	GKS04 - 3M□□□ 071-12	
15	157	2.0	93.333	GKS05 - 3M□□□ 071-12	
14	168	1.1	100.067	GKS04 - 3M□□□ 071-12	
13	180	1.8	107.196	GKS05 - 3M□□□ 071-12	
11	203	1.6	120.784	GKS05 - 3M□□□ 071-12	
11	214	3.0	127.392	GKS06 - 3M□□□ 071-12	
10	219	1.5	130.097	GKS05 - 3M□□□ 071-12	
9.4	240	2.9	142.941	GKS06 - 3M□□□ 071-12	
9.2	246	1.3	146.588	GKS05 - 3M□□□ 071-12	
8.4	271	2.3	161.029	GKS06 - 3M□□□ 071-12	
8.1	279	1.2	166.276	GKS05 - 3M□□□ 071-12	
7.2	315	1.0	187.353	GKS05 - 3M□□□ 071-12	
7.1	319	2.2	190.080	GKS06 - 3M□□□ 071-12	
6.3	360	1.8	214.133	GKS06 - 3M□□□ 071-12	
5.9	388	1.8	230.688	GKS06 - 3M□□□ 071-12	
5.2	437	1.5	259.880	GKS06 - 3M□□□ 071-12	
4.6	490	1.4	291.600	GKS06 - 3M□□□ 071-12	
4.1	552	1.2	328.500	GKS06 - 3M□□□ 071-12	
3.8	593	1.8	358.829	GKS07 - 4M□□□ 071-12	
3.4	659	2.0	399.353	GKS07 - 4M□□□ 071-12	
3.3	674	1.0	408.000	GKS06 - 4M□□□ 071-12	
2.9	767	1.4	464.367	GKS07 - 4M□□□ 071-12	
2.6	853	1.5	516.810	GKS07 - 4M□□□ 071-12	
2.4	931	1.1	563.572	GKS07 - 4M□□□ 071-12	
2.1	1051	1.3	636.581	GKS07 - 4M□□□ 071-12	
1.7	1350	2.2	817.551	GKS09 - 4M□□□ 071-12	
1.5	1521	2.0	921.367	GKS09 - 4M□□□ 071-12	
1.4	1638	1.9	992.209	GKS09 - 4M□□□ 071-12	
1.2	1846	1.7	1118.204	GKS09 - 4M□□□ 071-12	
1.1	2071	1.5	1254.197	GKS09 - 4M□□□ 071-12	
1.0	2334	1.3	1413.461	GKS09 - 4M□□□ 071-12	

### P<sub>1</sub> = 0.37 kW

264	13	3.8	5.123	GKS04 - 3M□□□ 071-32	
192	18	3.8	7.025	GKS04 - 3M□□□ 071-32	
165	20	3.8	8.167	GKS04 - 3M□□□ 071-32	
150	22	3.7	8.991	GKS04 - 3M□□□ 071-32	
137	25	3.5	9.836	GKS04 - 3M□□□ 071-32	
115	29	3.8	11.730	GKS04 - 3M□□□ 071-32	
103	33	3.8	13.067	GKS04 - 3M□□□ 071-32	
94	36	3.7	14.333	GKS04 - 3M□□□ 071-32	
84	40	3.8	16.087	GKS04 - 3M□□□ 071-32	
75	45	3.7	17.920	GKS04 - 3M□□□ 071-32	
66	51	3.6	20.588	GKS04 - 3M□□□ 071-32	
60	56	3.3	22.522	GKS04 - 3M□□□ 071-32	
54	62	2.7	25.088	GKS04 - 3M□□□ 071-32	
47	71	2.6	28.727	GKS04 - 3M□□□ 071-32	

For dimensions, see page 6-70 onwards.

# Helical-bevel gearbox selection tables

Geared motors for Atex category 2G, 2D, 3G, 3D (zone 1, 21, 2, 22)

50 Hz			i	Helical-bevel geared motor	Consultation required for mounting position
n <sub>2</sub> [rpm]	M <sub>2</sub> [Nm]	c			

## P<sub>1</sub> = 0.37 kW

42	80	2.1	32.000	GKS04 - 3M□□□ 071-32	
38	88	2.1	35.191	GKS04 - 3M□□□ 071-32	
34	98	1.7	39.200	GKS04 - 3M□□□ 071-32	
32	104	3.2	41.765	GKS05 - 3M□□□ 071-32	
31	110	1.7	44.240	GKS04 - 3M□□□ 071-32	
29	117	2.6	47.059	GKS05 - 3M□□□ 071-32	
27	127	1.4	50.943	GKS04 - 3M□□□ 071-32	
24	142	1.3	56.976	GKS04 - 3M□□□ 071-32	
21	162	1.1	64.978	GKS04 - 3M□□□ 071-32	
20	166	2.0	66.592	GKS05 - 3M□□□ 071-32	
19	180	1.1	72.210	GKS04 - 3M□□□ 071-32	
18	187	1.7	75.033	GKS05 - 3M□□□ 071-32	
16	206	1.6	82.833	GKS05 - 3M□□□ 071-32	
15	232	3.0	93.176	GKS06 - 3M□□□ 071-32	
15	232	1.4	93.333	GKS05 - 3M□□□ 071-32	
13	261	2.4	104.967	GKS06 - 3M□□□ 071-32	
13	267	1.2	107.196	GKS05 - 3M□□□ 071-32	
12	281	2.5	113.082	GKS06 - 3M□□□ 071-32	
11	300	1.0	120.784	GKS05 - 3M□□□ 071-32	
11	317	2.0	127.392	GKS06 - 3M□□□ 071-32	
10	323	1.0	130.097	GKS05 - 3M□□□ 071-32	
9.4	355	2.0	142.941	GKS06 - 3M□□□ 071-32	
8.4	400	1.6	161.029	GKS06 - 3M□□□ 071-32	
7.1	473	1.5	190.080	GKS06 - 3M□□□ 071-32	
6.3	532	1.2	214.133	GKS06 - 3M□□□ 071-32	
5.9	574	1.2	230.688	GKS06 - 3M□□□ 071-32	
5.4	616	1.1	252.000	GKS06 - 4M□□□ 071-32	
4.9	668	1.6	273.199	GKS07 - 4M□□□ 071-32	
4.2	785	1.7	321.049	GKS07 - 4M□□□ 071-32	
3.8	877	1.2	358.829	GKS07 - 4M□□□ 071-32	
3.4	976	1.4	399.353	GKS07 - 4M□□□ 071-32	
2.6	1263	1.0	516.810	GKS07 - 4M□□□ 071-32	
1.7	1998	1.5	817.551	GKS09 - 4M□□□ 071-32	
1.5	2252	1.4	921.367	GKS09 - 4M□□□ 071-32	
1.4	2425	1.3	992.209	GKS09 - 4M□□□ 071-32	
1.2	2733	1.1	1118.204	GKS09 - 4M□□□ 071-32	

## P<sub>1</sub> = 0.55 kW

267	19	3.5	5.123	GKS04 - 3M□□□ 080-12	
195	26	2.9	7.025	GKS04 - 3M□□□ 080-12	
168	30	3.5	8.167	GKS04 - 3M□□□ 080-12	
152	33	2.5	8.991	GKS04 - 3M□□□ 080-12	
139	36	2.4	9.836	GKS04 - 3M□□□ 080-12	
117	43	3.5	11.730	GKS04 - 3M□□□ 080-12	
104	48	3.2	13.176	GKS05 - 3M□□□ 080-12	
96	52	2.5	14.333	GKS04 - 3M□□□ 080-12	
85	59	2.9	16.087	GKS04 - 3M□□□ 080-12	
77	65	2.5	17.920	GKS04 - 3M□□□ 080-12	
67	75	2.4	20.588	GKS04 - 3M□□□ 080-12	
61	82	2.2	22.522	GKS04 - 3M□□□ 080-12	
55	91	1.8	25.088	GKS04 - 3M□□□ 080-12	
48	105	1.7	28.727	GKS04 - 3M□□□ 080-12	
46	109	3.0	29.931	GKS05 - 3M□□□ 080-12	
43	117	1.4	32.000	GKS04 - 3M□□□ 080-12	
42	119	2.8	32.744	GKS05 - 3M□□□ 080-12	
39	128	1.4	35.191	GKS04 - 3M□□□ 080-12	
37	134	2.2	36.894	GKS05 - 3M□□□ 080-12	
35	143	1.2	39.200	GKS04 - 3M□□□ 080-12	
33	152	2.2	41.765	GKS05 - 3M□□□ 080-12	
31	161	1.1	44.240	GKS04 - 3M□□□ 080-12	
29	171	1.8	47.059	GKS05 - 3M□□□ 080-12	
27	186	1.8	51.162	GKS05 - 3M□□□ 080-12	
24	210	1.5	57.647	GKS05 - 3M□□□ 080-12	
21	237	2.6	65.207	GKS06 - 3M□□□ 080-12	
21	243	1.4	66.592	GKS05 - 3M□□□ 080-12	
19	262	2.7	72.000	GKS06 - 3M□□□ 080-12	
18	273	1.1	75.033	GKS05 - 3M□□□ 080-12	
17	295	2.1	81.111	GKS06 - 3M□□□ 080-12	
17	302	1.1	82.833	GKS05 - 3M□□□ 080-12	

For dimensions, see page 6-70 onwards.

# Helical-bevel gearbox selection tables

Geared motors for Atex category 2G, 2D, 3G, 3D (zone 1, 21, 2, 22)



50 Hz			i	Helical-bevel geared motor	Consultation required for mounting position
n <sub>2</sub> [rpm]	M <sub>2</sub> [Nm]	c			

### P<sub>1</sub> = 0.55 kW

15	339	2.1	93.176	GKS06 - 3M□□□ 080-12	
13	380	3.2	104.296	GKS07 - 3M□□□ 080-12	
13	382	1.7	104.967	GKS06 - 3M□□□ 080-12	
12	412	1.7	113.082	GKS06 - 3M□□□ 080-12	
11	461	2.6	126.578	GKS07 - 3M□□□ 080-12	
11	464	1.4	127.392	GKS06 - 3M□□□ 080-12	
9.6	521	1.3	142.941	GKS06 - 3M□□□ 080-12	
8.5	586	1.1	161.029	GKS06 - 3M□□□ 080-12	
7.4	672	2.0	184.600	GKS07 - 3M□□□ 080-12	
7.2	692	1.0	190.080	GKS06 - 3M□□□ 080-12	
6.6	757	1.6	208.000	GKS07 - 3M□□□ 080-12	
6.1	816	1.6	224.037	GKS07 - 3M□□□ 080-12	
5.4	919	1.3	252.436	GKS07 - 3M□□□ 080-12	
4.8	1031	1.3	283.193	GKS07 - 3M□□□ 080-12	
4.3	1162	1.0	319.091	GKS07 - 3M□□□ 080-12	
4.3	1149	1.1	321.049	GKS07 - 4M□□□ 080-12	
4.2	1158	2.6	323.365	GKS09 - 4M□□□ 080-12	
3.8	1305	2.4	364.427	GKS09 - 4M□□□ 080-12	
3.4	1440	2.1	402.234	GKS09 - 4M□□□ 080-12	
3.0	1623	1.9	453.311	GKS09 - 4M□□□ 080-12	
2.6	1863	1.6	520.538	GKS09 - 4M□□□ 080-12	
2.3	2100	1.5	586.638	GKS09 - 4M□□□ 080-12	
2.2	2261	1.3	631.744	GKS09 - 4M□□□ 080-12	
1.9	2549	1.2	711.965	GKS09 - 4M□□□ 080-12	
1.7	2923	2.0	816.455	GKS11 - 4M□□□ 080-12	
1.7	2927	1.0	817.551	GKS09 - 4M□□□ 080-12	
1.5	3293	1.8	919.949	GKS11 - 4M□□□ 080-12	
1.4	3547	1.7	990.879	GKS11 - 4M□□□ 080-12	
1.2	3997	1.5	1116.484	GKS11 - 4M□□□ 080-12	
1.1	4483	1.3	1252.516	GKS11 - 4M□□□ 080-12	
1.0	5052	1.2	1411.286	GKS11 - 4M□□□ 080-12	

### P<sub>1</sub> = 0.75 kW

267	25	2.6	5.123	GKS04 - 3M□□□ 080-32	
195	35	2.1	7.025	GKS04 - 3M□□□ 080-32	
168	41	2.6	8.167	GKS04 - 3M□□□ 080-32	
152	45	1.9	8.991	GKS04 - 3M□□□ 080-32	
139	49	1.8	9.836	GKS04 - 3M□□□ 080-32	
117	58	2.6	11.730	GKS04 - 3M□□□ 080-32	
105	65	2.5	13.067	GKS04 - 3M□□□ 080-32	
104	65	2.4	13.176	GKS05 - 3M□□□ 080-32	
96	71	1.9	14.333	GKS04 - 3M□□□ 080-32	
85	80	2.1	16.087	GKS04 - 3M□□□ 080-32	
77	89	1.9	17.920	GKS04 - 3M□□□ 080-32	
67	102	1.8	20.588	GKS04 - 3M□□□ 080-32	
61	112	1.6	22.522	GKS04 - 3M□□□ 080-32	
55	125	1.3	25.088	GKS04 - 3M□□□ 080-32	
48	143	1.3	28.727	GKS04 - 3M□□□ 080-32	
46	149	2.2	29.931	GKS05 - 3M□□□ 080-32	
43	159	1.1	32.000	GKS04 - 3M□□□ 080-32	
42	163	2.0	32.744	GKS05 - 3M□□□ 080-32	
39	175	1.0	35.191	GKS04 - 3M□□□ 080-32	
37	183	1.6	36.894	GKS05 - 3M□□□ 080-32	
33	207	1.6	41.765	GKS05 - 3M□□□ 080-32	
29	234	1.3	47.059	GKS05 - 3M□□□ 080-32	
27	254	1.3	51.162	GKS05 - 3M□□□ 080-32	
24	286	1.1	57.647	GKS05 - 3M□□□ 080-32	
24	287	2.4	57.882	GKS06 - 3M□□□ 080-32	
21	324	1.9	65.207	GKS06 - 3M□□□ 080-32	
21	331	1.0	66.592	GKS05 - 3M□□□ 080-32	
19	358	2.0	72.000	GKS06 - 3M□□□ 080-32	
17	403	1.6	81.111	GKS06 - 3M□□□ 080-32	
15	460	2.8	92.563	GKS07 - 3M□□□ 080-32	
15	463	1.5	93.176	GKS06 - 3M□□□ 080-32	
13	518	2.3	104.296	GKS07 - 3M□□□ 080-32	
13	521	1.2	104.967	GKS06 - 3M□□□ 080-32	
12	558	2.4	112.338	GKS07 - 3M□□□ 080-32	
12	562	1.3	113.082	GKS06 - 3M□□□ 080-32	
11	629	1.9	126.578	GKS07 - 3M□□□ 080-32	

For dimensions, see page 6-70 onwards.

# Helical-bevel gearbox selection tables

Geared motors for Atex category 2G, 2D, 3G, 3D (zone 1, 21, 2, 22)

50 Hz			i	Helical-bevel geared motor	Consultation required for mounting position
n <sub>2</sub> [rpm]	M <sub>2</sub> [Nm]	c			

## P<sub>1</sub> = 0.75 kW

11	633	1.0	127.392	GKS06 - 3M□□□ 080-32	
7.4	917	1.5	184.600	GKS07 - 3M□□□ 080-32	
6.6	1033	1.2	208.000	GKS07 - 3M□□□ 080-32	
6.1	1113	1.2	224.037	GKS07 - 3M□□□ 080-32	
5.6	1204	1.1	246.659	GKS07 - 4M□□□ 080-32	
4.2	1578	1.9	323.365	GKS09 - 4M□□□ 080-32	
3.8	1779	1.7	364.427	GKS09 - 4M□□□ 080-32	
3.4	1963	1.5	402.234	GKS09 - 4M□□□ 080-32	
3.0	2213	1.4	453.311	GKS09 - 4M□□□ 080-32	
2.6	2541	1.2	520.538	GKS09 - 4M□□□ 080-32	
2.3	2864	1.1	586.638	GKS09 - 4M□□□ 080-32	
1.7	3985	1.5	816.455	GKS11 - 4M□□□ 080-32	
1.5	4491	1.4	919.949	GKS11 - 4M□□□ 080-32	
1.4	4837	1.2	990.879	GKS11 - 4M□□□ 080-32	
1.2	5450	1.1	1116.484	GKS11 - 4M□□□ 080-32	

## P<sub>1</sub> = 1.1 kW

274	36	1.8	5.123	GKS04 - 3M□□□ 090-12	
205	49	2.4	6.863	GKS05 - 3M□□□ 090-12	
200	50	1.5	7.025	GKS04 - 3M□□□ 090-12	
172	58	1.8	8.167	GKS04 - 3M□□□ 090-12	
156	64	1.3	8.991	GKS04 - 3M□□□ 090-12	
149	67	2.0	9.412	GKS05 - 3M□□□ 090-12	
143	70	1.2	9.836	GKS04 - 3M□□□ 090-12	
133	75	2.4	10.569	GKS05 - 3M□□□ 090-12	
120	83	2.4	11.667	GKS05 - 3M□□□ 090-12	
120	83	1.8	11.730	GKS04 - 3M□□□ 090-12	
108	93	1.8	13.067	GKS04 - 3M□□□ 090-12	
107	94	1.7	13.176	GKS05 - 3M□□□ 090-12	
98	102	1.3	14.333	GKS04 - 3M□□□ 090-12	
97	103	2.0	14.494	GKS05 - 3M□□□ 090-12	
88	114	2.0	16.000	GKS05 - 3M□□□ 090-12	
87	114	1.5	16.087	GKS04 - 3M□□□ 090-12	
82	121	2.4	17.054	GKS05 - 3M□□□ 090-12	
78	127	1.3	17.920	GKS04 - 3M□□□ 090-12	
73	137	2.2	19.216	GKS05 - 3M□□□ 090-12	
68	146	1.2	20.588	GKS04 - 3M□□□ 090-12	
62	160	1.1	22.522	GKS04 - 3M□□□ 090-12	
60	166	2.0	23.388	GKS05 - 3M□□□ 090-12	
53	187	1.6	26.353	GKS05 - 3M□□□ 090-12	
49	202	3.2	28.461	GKS06 - 3M□□□ 090-12	
47	213	1.6	29.931	GKS05 - 3M□□□ 090-12	
44	228	2.7	32.063	GKS06 - 3M□□□ 090-12	
43	233	1.4	32.744	GKS05 - 3M□□□ 090-12	
39	258	2.7	36.303	GKS06 - 3M□□□ 090-12	
38	262	1.2	36.894	GKS05 - 3M□□□ 090-12	
34	297	1.1	41.765	GKS05 - 3M□□□ 090-12	
32	316	2.2	44.471	GKS06 - 3M□□□ 090-12	
27	377	1.8	53.074	GKS06 - 3M□□□ 090-12	
24	408	3.2	57.501	GKS07 - 3M□□□ 090-12	
24	411	1.7	57.882	GKS06 - 3M□□□ 090-12	
22	460	2.6	64.790	GKS07 - 3M□□□ 090-12	
22	463	1.3	65.207	GKS06 - 3M□□□ 090-12	
20	501	2.6	70.474	GKS07 - 3M□□□ 090-12	
20	511	1.4	72.000	GKS06 - 3M□□□ 090-12	
18	564	2.1	79.407	GKS07 - 3M□□□ 090-12	
17	576	1.1	81.111	GKS06 - 3M□□□ 090-12	
15	657	2.0	92.563	GKS07 - 3M□□□ 090-12	
15	662	1.1	93.176	GKS06 - 3M□□□ 090-12	
14	741	1.6	104.296	GKS07 - 3M□□□ 090-12	
13	792	2.7	111.484	GKS09 - 3M□□□ 090-12	
13	798	1.7	112.338	GKS07 - 3M□□□ 090-12	
11	892	2.7	125.641	GKS09 - 3M□□□ 090-12	
11	899	1.4	126.578	GKS07 - 3M□□□ 090-12	
10.0	998	1.3	140.548	GKS07 - 3M□□□ 090-12	
10.0	1001	2.2	140.921	GKS09 - 3M□□□ 090-12	
8.9	1125	1.1	158.364	GKS07 - 3M□□□ 090-12	
8.9	1128	2.2	158.816	GKS09 - 3M□□□ 090-12	
7.7	1293	2.3	182.000	GKS09 - 3M□□□ 090-12	

For dimensions, see page 6-70 onwards.



# Helical-bevel gearbox selection tables

Geared motors for Atex category 2G, 2D, 3G, 3D (zone 1, 21, 2, 22)



50 Hz			i	Helical-bevel geared motor	Consultation required for mounting position
n <sub>2</sub> [rpm]	M <sub>2</sub> [Nm]	c			
<b>P<sub>1</sub> = 1.1 kW</b>					
7.6	1311	1.0	184.600	GKS07 - 3M□□□ 090-12	
6.9	1457	2.1	205.111	GKS09 - 3M□□□ 090-12	
6.4	1569	1.9	220.882	GKS09 - 3M□□□ 090-12	
5.6	1768	1.7	248.930	GKS09 - 3M□□□ 090-12	
5.0	1983	1.5	279.205	GKS09 - 3M□□□ 090-12	
4.5	2235	1.4	314.659	GKS09 - 3M□□□ 090-12	
4.4	2254	2.7	322.931	GKS11 - 4M□□□ 090-12	
4.3	2257	1.3	323.365	GKS09 - 4M□□□ 090-12	
3.9	2540	2.4	363.866	GKS11 - 4M□□□ 090-12	
3.9	2544	1.2	364.427	GKS09 - 4M□□□ 090-12	
3.6	2763	2.2	395.787	GKS11 - 4M□□□ 090-12	
3.5	2808	1.1	402.234	GKS09 - 4M□□□ 090-12	
3.2	3113	1.9	445.958	GKS11 - 4M□□□ 090-12	
2.7	3576	1.7	512.196	GKS11 - 4M□□□ 090-12	
2.4	4029	1.5	577.122	GKS11 - 4M□□□ 090-12	
2.3	4339	1.4	621.619	GKS11 - 4M□□□ 090-12	
2.0	4889	1.2	700.416	GKS11 - 4M□□□ 090-12	
1.7	5626	2.0	805.901	GKS14 - 4M□□□ 090-12	
1.7	5700	1.0	816.455	GKS11 - 4M□□□ 090-12	
1.6	6339	1.8	908.058	GKS14 - 4M□□□ 090-12	
1.4	6828	1.7	978.071	GKS14 - 4M□□□ 090-12	
1.3	7693	1.5	1102.052	GKS14 - 4M□□□ 090-12	
1.1	8631	1.3	1236.326	GKS14 - 4M□□□ 090-12	
1.0	9725	1.2	1393.043	GKS14 - 4M□□□ 090-12	

<b>P<sub>1</sub> = 1.5 kW</b>					
276	49	1.3	5.123	GKS04 - 3M□□□ 090-32	
206	66	1.8	6.863	GKS05 - 3M□□□ 090-32	
201	68	1.1	7.025	GKS04 - 3M□□□ 090-32	
173	79	1.3	8.167	GKS04 - 3M□□□ 090-32	
150	91	1.5	9.412	GKS05 - 3M□□□ 090-32	
134	102	1.8	10.569	GKS05 - 3M□□□ 090-32	
124	109	2.5	11.382	GKS06 - 3M□□□ 090-32	
121	112	1.8	11.667	GKS05 - 3M□□□ 090-32	
121	113	1.3	11.730	GKS04 - 3M□□□ 090-32	
108	126	1.3	13.067	GKS04 - 3M□□□ 090-32	
107	127	1.2	13.176	GKS05 - 3M□□□ 090-32	
98	139	1.5	14.494	GKS05 - 3M□□□ 090-32	
88	154	1.5	16.000	GKS05 - 3M□□□ 090-32	
88	155	1.1	16.087	GKS04 - 3M□□□ 090-32	
83	164	1.8	17.054	GKS05 - 3M□□□ 090-32	
80	171	2.5	17.809	GKS06 - 3M□□□ 090-32	
74	185	1.6	19.216	GKS05 - 3M□□□ 090-32	
61	225	1.5	23.388	GKS05 - 3M□□□ 090-32	
54	250	2.5	26.017	GKS06 - 3M□□□ 090-32	
54	253	1.2	26.353	GKS05 - 3M□□□ 090-32	
50	274	2.3	28.461	GKS06 - 3M□□□ 090-32	
47	288	1.1	29.931	GKS05 - 3M□□□ 090-32	
44	308	2.0	32.063	GKS06 - 3M□□□ 090-32	
43	315	1.1	32.744	GKS05 - 3M□□□ 090-32	
39	349	2.0	36.303	GKS06 - 3M□□□ 090-32	
32	428	1.6	44.471	GKS06 - 3M□□□ 090-32	
27	510	1.4	53.074	GKS06 - 3M□□□ 090-32	
25	553	2.4	57.501	GKS07 - 3M□□□ 090-32	
24	557	1.2	57.882	GKS06 - 3M□□□ 090-32	
22	623	1.9	64.790	GKS07 - 3M□□□ 090-32	
20	678	1.9	70.474	GKS07 - 3M□□□ 090-32	
20	692	1.0	72.000	GKS06 - 3M□□□ 090-32	
18	764	1.6	79.407	GKS07 - 3M□□□ 090-32	
15	883	2.4	91.860	GKS09 - 3M□□□ 090-32	
15	890	1.5	92.563	GKS07 - 3M□□□ 090-32	
14	995	2.4	103.524	GKS09 - 3M□□□ 090-32	
14	1003	1.2	104.296	GKS07 - 3M□□□ 090-32	
13	1072	2.0	111.484	GKS09 - 3M□□□ 090-32	
13	1080	1.2	112.338	GKS07 - 3M□□□ 090-32	
11	1208	2.0	125.641	GKS09 - 3M□□□ 090-32	
10	1355	1.6	140.921	GKS09 - 3M□□□ 090-32	
8.9	1527	1.6	158.816	GKS09 - 3M□□□ 090-32	
7.8	1750	1.7	182.000	GKS09 - 3M□□□ 090-32	

For dimensions, see page 6-70 onwards.

# Helical-bevel gearbox selection tables

Geared motors for Atex category 2G, 2D, 3G, 3D (zone 1, 21, 2, 22)

50 Hz			i	Helical-bevel geared motor	Consultation required for mounting position
n <sub>2</sub> [rpm]	M <sub>2</sub> [Nm]	c			

## P<sub>1</sub> = 1.5 kW

6.9	1972	1.6	205.111	GKS09 - 3M□□□ 090-32	
6.4	2124	1.4	220.882	GKS09 - 3M□□□ 090-32	
5.7	2394	1.3	248.930	GKS09 - 3M□□□ 090-32	
5.1	2685	1.1	279.205	GKS09 - 3M□□□ 090-32	
4.5	3026	1.0	314.659	GKS09 - 3M□□□ 090-32	
4.4	3052	2.0	322.931	GKS11 - 4M□□□ 090-32	
3.9	3439	1.8	363.866	GKS11 - 4M□□□ 090-32	
3.6	3741	1.6	395.787	GKS11 - 4M□□□ 090-32	
3.2	4215	1.4	445.958	GKS11 - 4M□□□ 090-32	
2.8	4841	1.2	512.196	GKS11 - 4M□□□ 090-32	
2.5	5455	1.1	577.122	GKS11 - 4M□□□ 090-32	
2.3	5876	1.0	621.619	GKS11 - 4M□□□ 090-32	
1.8	7617	1.5	805.901	GKS14 - 4M□□□ 090-32	
1.6	8583	1.4	908.058	GKS14 - 4M□□□ 090-32	
1.5	9245	1.2	978.071	GKS14 - 4M□□□ 090-32	
1.3	10417	1.1	1102.052	GKS14 - 4M□□□ 090-32	

## P<sub>1</sub> = 2.2 kW

220	91	2.4	6.485	GKS06 - 3M□□□ 100-12	
208	96	1.2	6.863	GKS05 - 3M□□□ 100-12	
155	129	2.4	9.196	GKS06 - 3M□□□ 100-12	
151	132	1.0	9.412	GKS05 - 3M□□□ 100-12	
140	142	2.4	10.147	GKS06 - 3M□□□ 100-12	
135	148	1.2	10.569	GKS05 - 3M□□□ 100-12	
125	159	3.2	11.378	GKS07 - 3M□□□ 100-12	
125	159	1.7	11.382	GKS06 - 3M□□□ 100-12	
122	163	1.2	11.667	GKS05 - 3M□□□ 100-12	
113	177	2.0	12.612	GKS06 - 3M□□□ 100-12	
98	203	1.0	14.494	GKS05 - 3M□□□ 100-12	
96	208	2.4	14.824	GKS06 - 3M□□□ 100-12	
89	224	1.0	16.000	GKS05 - 3M□□□ 100-12	
85	234	2.3	16.699	GKS06 - 3M□□□ 100-12	
84	239	1.2	17.054	GKS05 - 3M□□□ 100-12	
80	249	1.7	17.809	GKS06 - 3M□□□ 100-12	
74	269	1.1	19.216	GKS05 - 3M□□□ 100-12	
70	285	2.0	20.329	GKS06 - 3M□□□ 100-12	
62	321	1.9	22.902	GKS06 - 3M□□□ 100-12	
61	328	1.0	23.388	GKS05 - 3M□□□ 100-12	
55	364	1.7	26.017	GKS06 - 3M□□□ 100-12	
50	396	3.0	28.274	GKS07 - 3M□□□ 100-12	
50	399	1.6	28.461	GKS06 - 3M□□□ 100-12	
45	446	2.6	31.858	GKS07 - 3M□□□ 100-12	
44	449	1.4	32.063	GKS06 - 3M□□□ 100-12	
40	505	2.6	36.063	GKS07 - 3M□□□ 100-12	
39	508	1.3	36.303	GKS06 - 3M□□□ 100-12	
34	581	1.2	41.472	GKS06 - 3M□□□ 100-12	
32	619	2.1	44.178	GKS07 - 3M□□□ 100-12	
32	623	1.1	44.471	GKS06 - 3M□□□ 100-12	
28	705	1.8	50.345	GKS07 - 3M□□□ 100-12	
25	805	1.6	57.501	GKS07 - 3M□□□ 100-12	
24	819	3.2	58.456	GKS09 - 3M□□□ 100-12	
22	907	1.3	64.790	GKS07 - 3M□□□ 100-12	
22	923	3.2	65.879	GKS09 - 3M□□□ 100-12	
20	987	1.3	70.474	GKS07 - 3M□□□ 100-12	
20	994	2.8	70.982	GKS09 - 3M□□□ 100-12	
18	1112	1.1	79.407	GKS07 - 3M□□□ 100-12	
18	1120	2.7	79.996	GKS09 - 3M□□□ 100-12	
16	1285	2.8	91.737	GKS11 - 3M□□□ 100-12	
16	1286	2.2	91.860	GKS09 - 3M□□□ 100-12	
15	1296	1.0	92.563	GKS07 - 3M□□□ 100-12	
14	1448	2.8	103.365	GKS11 - 3M□□□ 100-12	
14	1450	2.1	103.524	GKS09 - 3M□□□ 100-12	
13	1559	2.3	111.335	GKS11 - 3M□□□ 100-12	
13	1561	1.9	111.484	GKS09 - 3M□□□ 100-12	
11	1757	2.3	125.448	GKS11 - 3M□□□ 100-12	
11	1759	1.8	125.641	GKS09 - 3M□□□ 100-12	
10	1971	1.9	140.732	GKS11 - 3M□□□ 100-12	
10	1973	1.5	140.921	GKS09 - 3M□□□ 100-12	
9.0	2221	1.9	158.571	GKS11 - 3M□□□ 100-12	

For dimensions, see page 6-70 onwards.

# Helical-bevel gearbox selection tables

Geared motors for Atex category 2G, 2D, 3G, 3D (zone 1, 21, 2, 22)



50 Hz			i	Helical-bevel geared motor	Consultation required for mounting position
n <sub>2</sub> [rpm]	M <sub>2</sub> [Nm]	c			

### P<sub>1</sub> = 2.2 kW

9.0	2224	1.4	158.816	GKS09 - 3M□□□ 100-12	
7.8	2549	1.2	182.000	GKS09 - 3M□□□ 100-12	
7.6	2613	2.3	186.572	GKS11 - 3M□□□ 100-12	
7.0	2872	1.1	205.111	GKS09 - 3M□□□ 100-12	
6.8	2944	2.0	210.222	GKS11 - 3M□□□ 100-12	
6.3	3171	1.9	226.431	GKS11 - 3M□□□ 100-12	
5.6	3573	1.6	255.133	GKS11 - 3M□□□ 100-12	
5.0	4008	1.5	286.219	GKS11 - 3M□□□ 100-12	
4.4	4516	1.3	322.500	GKS11 - 3M□□□ 100-12	
4.4	4445	1.3	322.931	GKS11 - 4M□□□ 100-12	
3.9	4990	2.3	362.512	GKS14 - 4M□□□ 100-12	
3.9	5009	1.2	363.866	GKS11 - 4M□□□ 100-12	
3.7	5378	2.1	390.671	GKS14 - 4M□□□ 100-12	
3.6	5448	1.1	395.787	GKS11 - 4M□□□ 100-12	
3.2	6060	1.9	440.193	GKS14 - 4M□□□ 100-12	
2.8	7063	1.6	513.121	GKS14 - 4M□□□ 100-12	
2.5	7959	1.5	578.164	GKS14 - 4M□□□ 100-12	
2.3	8572	1.3	622.742	GKS14 - 4M□□□ 100-12	
2.0	9659	1.2	701.681	GKS14 - 4M□□□ 100-12	
1.8	11094	1.0	805.901	GKS14 - 4M□□□ 100-12	

### P<sub>1</sub> = 3.0 kW

218	125	1.7	6.485	GKS06 - 3M□□□ 100-32	
154	177	1.7	9.196	GKS06 - 3M□□□ 100-32	
139	195	1.7	10.147	GKS06 - 3M□□□ 100-32	
124	219	2.3	11.378	GKS07 - 3M□□□ 100-32	
124	219	1.2	11.382	GKS06 - 3M□□□ 100-32	
112	243	1.4	12.612	GKS06 - 3M□□□ 100-32	
96	285	1.7	14.824	GKS06 - 3M□□□ 100-32	
85	321	1.7	16.699	GKS06 - 3M□□□ 100-32	
82	332	2.5	17.270	GKS07 - 3M□□□ 100-32	
80	343	1.2	17.809	GKS06 - 3M□□□ 100-32	
70	391	1.4	20.329	GKS06 - 3M□□□ 100-32	
62	440	1.4	22.902	GKS06 - 3M□□□ 100-32	
56	486	2.4	25.244	GKS07 - 3M□□□ 100-32	
54	500	1.2	26.017	GKS06 - 3M□□□ 100-32	
50	544	2.2	28.274	GKS07 - 3M□□□ 100-32	
50	547	1.2	28.461	GKS06 - 3M□□□ 100-32	
44	613	1.9	31.858	GKS07 - 3M□□□ 100-32	
39	694	1.9	36.063	GKS07 - 3M□□□ 100-32	
36	763	3.5	39.662	GKS09 - 3M□□□ 100-32	
32	850	1.5	44.178	GKS07 - 3M□□□ 100-32	
28	968	1.3	50.345	GKS07 - 3M□□□ 100-32	
25	1106	1.2	57.501	GKS07 - 3M□□□ 100-32	
24	1124	2.4	58.456	GKS09 - 3M□□□ 100-32	
22	1267	2.4	65.879	GKS09 - 3M□□□ 100-32	
20	1365	2.0	70.982	GKS09 - 3M□□□ 100-32	
18	1538	2.0	79.996	GKS09 - 3M□□□ 100-32	
15	1764	2.0	91.737	GKS11 - 3M□□□ 100-32	
15	1767	1.6	91.860	GKS09 - 3M□□□ 100-32	
14	1988	2.0	103.365	GKS11 - 3M□□□ 100-32	
14	1991	1.5	103.524	GKS09 - 3M□□□ 100-32	
13	2141	1.7	111.335	GKS11 - 3M□□□ 100-32	
13	2144	1.4	111.484	GKS09 - 3M□□□ 100-32	
11	2413	1.7	125.448	GKS11 - 3M□□□ 100-32	
11	2416	1.3	125.641	GKS09 - 3M□□□ 100-32	
10	2706	1.4	140.732	GKS11 - 3M□□□ 100-32	
10	2710	1.1	140.921	GKS09 - 3M□□□ 100-32	
8.9	3050	1.4	158.571	GKS11 - 3M□□□ 100-32	
8.9	3054	1.0	158.816	GKS09 - 3M□□□ 100-32	
7.6	3588	1.7	186.572	GKS11 - 3M□□□ 100-32	
6.7	4043	1.5	210.222	GKS11 - 3M□□□ 100-32	
6.3	4354	1.4	226.431	GKS11 - 3M□□□ 100-32	
5.6	4906	1.2	255.133	GKS11 - 3M□□□ 100-32	
4.9	5504	1.1	286.219	GKS11 - 3M□□□ 100-32	
4.4	6082	1.9	321.729	GKS14 - 4M□□□ 100-32	
3.9	6853	1.7	362.512	GKS14 - 4M□□□ 100-32	
3.6	7385	1.6	390.671	GKS14 - 4M□□□ 100-32	
3.2	8321	1.4	440.193	GKS14 - 4M□□□ 100-32	

For dimensions, see page 6-70 onwards.

# Helical-bevel gearbox selection tables

Geared motors for Atex category 2G, 2D, 3G, 3D (zone 1, 21, 2, 22)

50 Hz			i	Helical-bevel geared motor	Consultation required for mounting position
n <sub>2</sub> [rpm]	M <sub>2</sub> [Nm]	c			
<b>P<sub>1</sub> = 3.0 kW</b>					
2.8	9700	1.2	513.121	GKS14 - 4M□□□ 100-32	
2.5	10930	1.1	578.164	GKS14 - 4M□□□ 100-32	
<b>P<sub>1</sub> = 4.0 kW</b>					
240	151	2.6	5.955	GKS07 - 3M□□□ 112-22	
221	165	1.3	6.485	GKS06 - 3M□□□ 112-22	
173	209	2.1	8.254	GKS07 - 3M□□□ 112-22	
156	233	2.6	9.171	GKS07 - 3M□□□ 112-22	
156	233	1.3	9.196	GKS06 - 3M□□□ 112-22	
141	257	2.6	10.124	GKS07 - 3M□□□ 112-22	
141	258	1.3	10.147	GKS06 - 3M□□□ 112-22	
126	289	1.7	11.378	GKS07 - 3M□□□ 112-22	
113	320	1.1	12.612	GKS06 - 3M□□□ 112-22	
113	323	2.1	12.711	GKS07 - 3M□□□ 112-22	
97	376	2.6	14.798	GKS07 - 3M□□□ 112-22	
97	376	1.3	14.824	GKS06 - 3M□□□ 112-22	
86	423	2.5	16.674	GKS07 - 3M□□□ 112-22	
86	424	1.3	16.699	GKS06 - 3M□□□ 112-22	
83	438	1.9	17.270	GKS07 - 3M□□□ 112-22	
70	516	1.1	20.329	GKS06 - 3M□□□ 112-22	
70	520	2.1	20.511	GKS07 - 3M□□□ 112-22	
62	581	1.0	22.902	GKS06 - 3M□□□ 112-22	
62	586	2.0	23.111	GKS07 - 3M□□□ 112-22	
57	641	1.8	25.244	GKS07 - 3M□□□ 112-22	
51	717	1.7	28.274	GKS07 - 3M□□□ 112-22	
45	808	1.5	31.858	GKS07 - 3M□□□ 112-22	
43	836	3.0	32.940	GKS09 - 3M□□□ 112-22	
41	893	2.9	35.193	GKS09 - 3M□□□ 112-22	
40	915	1.4	36.063	GKS07 - 3M□□□ 112-22	
36	1006	2.6	39.662	GKS09 - 3M□□□ 112-22	
35	1038	1.2	40.906	GKS07 - 3M□□□ 112-22	
33	1095	2.5	43.146	GKS09 - 3M□□□ 112-22	
32	1121	1.2	44.178	GKS07 - 3M□□□ 112-22	
29	1234	2.3	48.625	GKS09 - 3M□□□ 112-22	
28	1277	1.0	50.345	GKS07 - 3M□□□ 112-22	
25	1464	2.6	57.683	GKS11 - 3M□□□ 112-22	
25	1483	2.0	58.456	GKS09 - 3M□□□ 112-22	
22	1649	2.6	64.995	GKS11 - 3M□□□ 112-22	
22	1672	1.8	65.879	GKS09 - 3M□□□ 112-22	
20	1799	2.2	70.887	GKS11 - 3M□□□ 112-22	
20	1801	1.7	70.982	GKS09 - 3M□□□ 112-22	
18	2027	2.2	79.873	GKS11 - 3M□□□ 112-22	
18	2030	1.5	79.996	GKS09 - 3M□□□ 112-22	
16	2328	1.7	91.737	GKS11 - 3M□□□ 112-22	
16	2331	1.3	91.860	GKS09 - 3M□□□ 112-22	
14	2623	1.7	103.365	GKS11 - 3M□□□ 112-22	
14	2627	1.2	103.524	GKS09 - 3M□□□ 112-22	
13	2825	1.5	111.335	GKS11 - 3M□□□ 112-22	
13	2829	1.1	111.484	GKS09 - 3M□□□ 112-22	
11	3183	1.5	125.448	GKS11 - 3M□□□ 112-22	
10	3571	1.2	140.732	GKS11 - 3M□□□ 112-22	
9.0	4023	1.2	158.571	GKS11 - 3M□□□ 112-22	
7.7	4734	1.3	186.572	GKS11 - 3M□□□ 112-22	
6.8	5334	1.1	210.222	GKS11 - 3M□□□ 112-22	
6.3	5745	1.0	226.431	GKS11 - 3M□□□ 112-22	
6.3	5674	1.1	227.481	GKS11 - 4M□□□ 112-22	
6.0	5923	1.9	237.467	GKS14 - 4M□□□ 112-22	
5.3	6673	1.7	267.568	GKS14 - 4M□□□ 112-22	
4.4	8024	1.4	321.729	GKS14 - 4M□□□ 112-22	
3.9	9041	1.3	362.512	GKS14 - 4M□□□ 112-22	
3.7	9744	1.2	390.671	GKS14 - 4M□□□ 112-22	
3.3	10979	1.0	440.193	GKS14 - 4M□□□ 112-22	

For dimensions, see page 6-70 onwards.



# Helical-bevel gearbox selection table

Gearboxes with mounting flange for Atex category 2GD, 3GD (zone 1, 21, 2, 22)

$M_2 \text{ perm} \leq 190 \text{ Nm}$		GKS04-3N □□□				
Gearbox with	Mounting flange size Motor frame size Flange diameter	i	$P_1 \text{ perm}$ [kW]	$M_2 \text{ perm}$ [Nm]	$n_2$ [perm]	Temperature class
						T3 (G) $\cong$ 190 °C (D) T4 (G) $\cong$ 125 °C (D)
						Mounting position
						A, B, E, F
						C
						D

## $n_1 = 2800 \text{ perm}$

GKS04-3N □□□	1A		9.836	1.03	33	285	T4	T3	-
	63		22.522	1.03	75	124	T4	T3	-
	90		25.088	1.03	84	112	T4	T3	-
			28.727	0.96	89	98	T4	T4	-
			32.000	0.96	99	88	T4	T4	-
			44.240	1.19	171	63	T4	T4	-
			50.943	1.02	168	55	T4	T3	-
			56.976	0.93	173	49	T4	T4	-
			64.978	0.80	169	43	T4	T4	-
			72.210	0.75	175	39	T4	T4	-
			90.491	0.60	175	31	T4	T4	-
			100.067	0.53	171	28	T4	T4	-
			111.467	0.47	170	25	T4	T4	-
			128.874	0.45	187	22	T4	T4	-
			143.556	0.37	172	20	T4	T4	-
			163.332	0.36	190	17	T4	T4	-
			181.939	0.30	174	15	T4	T4	-
			204.682	0.29	190	14	T4	T4	-
			228.000	0.24	177	12	T4	T4	-
			269.660	0.22	190	10	T4	T4	-
		300.381	0.18	178	9.3	T4	T4	-	
GKS04-3N □□□	□B		5.123	2.23	37	547	T3	T3	-
	1B	2B	7.025	2.23	51	399	T3	T3	-
	71	63	8.167	2.23	59	343	T3	T3	-
	105	90	8.991	1.98	58	311	T3	T3	-
			9.836	1.89	60	285	T4	T3	-
			11.730	2.23	85	239	T3	T3	-
			13.067	2.23	95	214	T3	T3	-
			14.333	1.98	92	195	T3	T3	-
			16.087	2.23	116	174	T3	T3	-
			17.920	2.23	130	156	T3	T3	-
			20.588	1.98	132	136	T3	T3	-
			22.522	1.89	138	124	T4	T3	-
			25.088	1.67	136	112	T4	T3	-
			28.727	1.60	149	98	T4	T3	-
			32.000	1.31	136	88	T4	T3	-
			35.191	1.30	149	80	T4	T4	-
			39.200	1.07	136	71	T4	T4	-
			44.240	1.19	171	63	T4	T4	-
			50.943	1.02	168	55	T4	T3	-
			56.976	0.93	173	49	T4	T4	-
			64.978	0.80	169	43	T4	T3	-
			72.210	0.75	175	39	T4	T4	-
			79.598	0.65	169	35	T4	T4	-
			90.491	0.60	175	31	T4	T4	-
			100.067	0.53	171	28	T4	T4	-
			111.467	0.47	170	25	T4	T4	-
			128.874	0.45	187	22	T4	T4	-
			143.556	0.37	172	20	T4	T4	-
		163.332	0.36	190	17	T4	T4	-	
		181.939	0.30	174	15	T4	T4	-	
		204.682	0.29	190	14	T4	T4	-	
		228.000	0.24	177	12	T4	T4	-	
GKS04-3N □□□	□C		5.123	3.04	50	547	T3	T3	-
	1C	2C	7.025	2.66	61	399	T3	T3	-
	80	71	8.167	3.04	80	343	T3	T3	-
	160	160	8.991	2.31	67	311	T3	T3	-
		105	9.836	2.18	70	285	T3	T3	-
		120	11.730	3.04	115	239	T3	T3	-
		160	13.067	3.04	129	214	T3	T3	-
		120	14.333	2.31	107	195	T3	T3	-
			16.087	2.66	139	174	T3	T3	-

For dimensions, see page 6-86 onwards.

# Helical-bevel gearbox selection table

Gearboxes with mounting flange for Atex category 2GD, 3GD (zone 1, 21, 2, 22)

$M_2 \text{ perm} \leq 190 \text{ Nm}$		GKS04-3N □□□				
Gearbox with	Mounting flange size Motor frame size Flange diameter	i	$P_1 \text{ perm}$ [kW]	$M_2 \text{ perm}$ [Nm]	$n_2$ [perm]	Temperature class
						T3 (G) $\cong$ 190 °C (D) T4 (G) $\cong$ 125 °C (D)
						Mounting position
						A, B, E, F      C      D

## $n_1 = 2800 \text{ perm}$

GKS04-3N □□□ □C	1C	2C	3C	4C	6C	7C	17.920	2.32	135	156	T3	T3	-
	80	71	71	71	63	80	20.588	2.22	148	136	T3	T3	-
	160	160	105	120	160	120	22.522	2.03	148	124	T3	T3	-
		25.088	1.67	136	112	T3	T3	-					
		28.727	1.60	149	98	T4	T3	-					
		32.000	1.31	136	88	T4	T3	-					
		35.191	1.30	149	80	T4	T3	-					
		39.200	1.07	136	71	T4	T3	-					
		44.240	1.19	171	63	T4	T4	-					
		50.943	1.02	168	55	T3	T3	-					
		56.976	0.93	173	49	T4	T4	-					
		64.978	0.80	169	43	T4	T3	-					
	79.598	0.65	169	35	T4	T3	-						
	100.067	0.53	171	28	T4	T4	-						
	111.467	0.47	170	25	T4	T4	-						
	128.874	0.45	187	22	T4	T4	-						
	143.556	0.37	172	20	T4	T4	-						
	GKS04-3N □□□ □D	1D	2D	5.123	3.18	53	547	T3	T3	-			
		90	80	7.025	2.66	61	399	T3	T3	-			
		160	160	160	8.167	3.18	84	343	T3	T3	-		
8.991			2.31	67	311	T3	T3	-					
9.836			2.18	70	285	T3	T3	-					
11.730			3.18	121	239	T3	T3	-					
13.067			3.17	134	214	T3	T3	-					
14.333			2.31	107	195	T3	T3	-					
16.087			2.66	139	174	T3	T3	-					
17.920			2.32	135	156	T3	T3	-					
20.588			2.22	148	136	T3	T3	-					
22.522			2.03	148	124	T3	T3	-					
25.088			1.67	136	112	T3	T3	-					
28.727			1.60	149	98	T4	T3	-					
32.000			1.31	136	88	T4	T3	-					
35.191			1.30	149	80	T4	T3	-					
39.200			1.07	136	71	T4	T3	-					
50.943			1.02	168	55	T3	T3	-					
64.978			0.80	169	43	T4	T3	-					
79.598			0.65	169	35	T4	T3	-					

## $n_1 = 1400 \text{ perm}$

GKS04-3N □□□ 1A	63	90	9.836	0.63	40	142	T4	T4	T4
	22.522	0.63	93	62	T4	T4	T4		
	25.088	0.63	103	56	T4	T4	T4		
	28.727	0.59	110	49	T4	T4	T4		
	32.000	0.59	122	44	T4	T4	T4		
	44.240	0.65	185	32	T4	T4	T4		
	50.943	0.55	182	28	T4	T4	T4		
	56.976	0.51	187	25	T4	T4	T4		
	64.978	0.43	183	22	T4	T4	T4		
	72.210	0.41	190	19	T4	T4	T4		
	90.491	0.32	190	16	T4	T4	T4		
	100.067	0.29	185	14	T4	T4	T4		
	111.467	0.24	170	13	T4	T4	T4		
	128.874	0.22	187	11	T4	T4	T4		
	143.556	0.18	172	9.8	T4	T4	T4		
	163.332	0.18	190	8.6	T4	T4	T4		
	181.939	0.15	174	7.7	T4	T4	T4		
	204.682	0.14	190	6.8	T4	T4	T4		
	228.000	0.12	177	6.1	T4	T4	T4		
	269.660	0.11	190	5.2	T4	T4	T4		
300.381	0.09	178	4.7	T4	T4	T4			

For dimensions, see page 6-86 onwards.

# Helical-bevel gearbox selection table

Gearboxes with mounting flange for Atex category 2GD, 3GD (zone 1, 21, 2, 22)

$M_2 \text{ perm} \leq 190 \text{ Nm}$		GKS04-3N □□□							
Gearbox with	Mounting flange size Motor frame size Flange diameter	i	$P_{1 \text{ perm}}$ [kW]	$M_2 \text{ perm}$ [Nm]	$n_2$ [perm]	Temperature class			
						T3 (G) $\cong$ 190 °C (D)	T4 (G) $\cong$ 125 °C (D)		
						Mounting position			
						A, B, E, F	C	D	
<b><math>n_1 = 1400 \text{ perm}</math></b>									
GKS04-3N □□□	□B	5.123	1.37	46	273	T4	T4	T4	
	1B 2B	7.025	1.37	63	199	T4	T4	T4	
	71 63	8.167	1.37	73	171	T4	T4	T4	
	105 90	8.991	1.22	71	156	T4	T4	T4	
		9.836	1.17	74	142	T4	T4	T4	
		11.730	1.37	104	119	T4	T4	T4	
		13.067	1.37	116	107	T4	T4	T4	
		14.333	1.22	113	98	T4	T4	T4	
		16.087	1.37	143	87	T4	T4	T4	
		17.920	1.37	160	78	T4	T4	T4	
		20.588	1.22	163	68	T4	T4	T4	
		22.522	1.17	170	62	T4	T4	T4	
		25.088	1.03	167	56	T4	T4	T4	
		28.727	0.98	183	49	T4	T4	T4	
		32.000	0.81	167	44	T4	T4	T4	
		35.191	0.80	183	40	T4	T4	T4	
		39.200	0.66	168	36	T4	T4	T4	
		44.240	0.65	185	32	T4	T4	T4	
		50.943	0.55	182	28	T4	T4	T4	
		56.976	0.51	187	25	T4	T4	T4	
		64.978	0.43	183	22	T4	T4	T4	
		72.210	0.41	190	19	T4	T4	T4	
		79.598	0.35	183	18	T4	T4	T4	
		90.491	0.32	190	16	T4	T4	T4	
		100.067	0.29	185	14	T4	T4	T4	
		111.467	0.24	170	13	T4	T4	T4	
		128.874	0.22	187	11	T4	T4	T4	
	143.556	0.18	172	9.8	T4	T4	T4		
	163.332	0.18	190	8.6	T4	T4	T4		
	181.939	0.15	174	7.7	T4	T4	T4		
	204.682	0.14	190	6.8	T4	T4	T4		
	228.000	0.12	177	6.1	T4	T4	T4		
GKS04-3N □□□	□C	5.123	1.87	62	273	T4	T4	T4	
	1C 2C 3C 4C 6C 7C	7.025	1.64	75	199	T4	T4	T4	
	80 71 71 71 63 80	8.167	1.87	99	171	T4	T4	T4	
	160 160 105 120 160 120	8.991	1.42	83	156	T4	T4	T4	
		9.836	1.34	86	142	T4	T4	T4	
		11.730	1.87	142	119	T4	T4	T4	
		13.067	1.87	158	107	T4	T4	T4	
		14.333	1.42	132	98	T4	T4	T4	
		16.087	1.64	171	87	T4	T4	T4	
		17.920	1.43	166	78	T4	T4	T4	
		20.588	1.36	182	68	T4	T4	T4	
		22.522	1.25	182	62	T4	T4	T4	
		25.088	1.03	167	56	T4	T4	T4	
		28.727	0.98	183	49	T4	T4	T4	
		32.000	0.81	167	44	T4	T4	T4	
		35.191	0.80	183	40	T4	T4	T4	
		39.200	0.66	168	36	T4	T4	T4	
		44.240	0.65	185	32	T4	T4	T4	
		50.943	0.55	182	28	T4	T4	T4	
		56.976	0.51	187	25	T4	T4	T4	
		64.978	0.43	183	22	T4	T4	T4	
		79.598	0.35	183	18	T4	T4	T4	
		100.067	0.29	185	14	T4	T4	T4	
		111.467	0.24	170	13	T4	T4	T4	
		128.874	0.22	187	11	T4	T4	T4	
		143.556	0.18	172	9.8	T4	T4	T4	
	GKS04-3N □□□	□D	5.123	1.95	65	273	T4	T4	T4
1D 2D		7.025	1.64	75	199	T4	T4	T4	
90 80		8.167	1.95	103	171	T4	T4	T4	
160 160		8.991	1.42	83	156	T4	T4	T4	

For dimensions, see page 6-86 onwards.



# Helical-bevel gearbox selection table

Gearboxes with mounting flange for Atex category 2GD, 3GD (zone 1, 21, 2, 22)

$M_2 \text{ perm} \leq 190 \text{ Nm}$		GKS04-3N □□□						
Gearbox with	Mounting flange size Motor frame size Flange diameter	i	$P_{1 \text{ perm}}$ [kW]	$M_2 \text{ perm}$ [Nm]	$n_2$ [perm]	Temperature class		
						T3 (G) $\cong$ 190 °C (D) T4 (G) $\cong$ 125 °C (D)		
						Mounting position		
						A, B, E, F	C	D
<b><math>n_1 = 1400 \text{ perm}</math></b>								
GKS04-3N □□□	□D	9.836	1.34	86	142	T4	T4	T4
	1D 2D	11.730	1.96	149	119	T4	T4	T4
	90 80	13.067	1.95	165	107	T4	T4	T4
	160 160	14.333	1.42	132	98	T4	T4	T4
		16.087	1.64	171	87	T4	T4	T4
		17.920	1.43	166	78	T4	T4	T4
		20.588	1.36	182	68	T4	T4	T4
		22.522	1.25	182	62	T4	T4	T4
		25.088	1.03	167	56	T4	T4	T4
		28.727	0.98	183	49	T4	T4	T4
		32.000	0.81	167	44	T4	T4	T4
		35.191	0.80	183	40	T4	T4	T4
		39.200	0.66	168	36	T4	T4	T4
		50.943	0.55	182	28	T4	T4	T4
		64.978	0.43	183	22	T4	T4	T4
		79.598	0.35	183	18	T4	T4	T4
<b><math>n_1 = 700 \text{ perm}</math></b>								
GKS04-3N □□□	1A	9.836	0.32	40	71	T4	T4	T4
	63	22.522	0.32	93	31	T4	T4	T4
	90	25.088	0.32	103	28	T4	T4	T4
		28.727	0.30	110	24	T4	T4	T4
		32.000	0.30	122	22	T4	T4	T4
		44.240	0.32	185	16	T4	T4	T4
		50.943	0.28	182	14	T4	T4	T4
		56.976	0.25	187	12	T4	T4	T4
		64.978	0.22	183	11	T4	T4	T4
		72.210	0.20	190	9.7	T4	T4	T4
		90.491	0.16	190	7.7	T4	T4	T4
		100.067	0.14	185	7.0	T4	T4	T4
		111.467	0.12	170	6.3	T4	T4	T4
		128.874	0.11	187	5.4	T4	T4	T4
		143.556	0.09	172	4.9	T4	T4	T4
		163.332	0.09	190	4.3	T4	T4	T4
		181.939	0.07	174	3.9	T4	T4	T4
		204.682	0.07	190	3.4	T4	T4	T4
		228.000	0.06	177	3.1	T4	T4	T4
		269.660	0.05	190	2.6	T4	T4	T4
		300.381	0.05	178	2.3	T4	T4	T4
GKS04-3N □□□	□B	5.123	0.72	48	137	T4	T4	T4
	1B 2B	7.025	0.72	66	100	T4	T4	T4
	71 63	8.167	0.72	77	86	T4	T4	T4
	105 90	8.991	0.61	71	78	T4	T4	T4
		9.836	0.58	74	71	T4	T4	T4
		11.730	0.72	110	60	T4	T4	T4
		13.067	0.72	123	54	T4	T4	T4
		14.333	0.61	113	49	T4	T4	T4
		16.087	0.72	151	44	T4	T4	T4
		17.920	0.71	166	39	T4	T4	T4
		20.588	0.61	163	34	T4	T4	T4
		22.522	0.58	170	31	T4	T4	T4
		25.088	0.51	167	28	T4	T4	T4
		28.727	0.49	183	24	T4	T4	T4
		32.000	0.40	167	22	T4	T4	T4
		35.191	0.40	183	20	T4	T4	T4
		39.200	0.33	168	18	T4	T4	T4
		44.240	0.32	185	16	T4	T4	T4
		50.943	0.28	182	14	T4	T4	T4
		56.976	0.25	187	12	T4	T4	T4
		64.978	0.22	183	11	T4	T4	T4
		72.210	0.20	190	9.7	T4	T4	T4
		79.598	0.18	183	8.8	T4	T4	T4

For dimensions, see page 6-86 onwards.

# Helical-bevel gearbox selection table

Gearboxes with mounting flange for Atex category 2GD, 3GD (zone 1, 21, 2, 22)

$M_2 \text{ perm} \leq 190 \text{ Nm}$		GKS04-3N □□□						
Gearbox with	Mounting flange size Motor frame size Flange diameter	i	$P_1 \text{ perm}$	$M_2 \text{ perm}$	$n_2$	Temperature class		
						T3 (G) $\cong$ 190 °C (D) T4 (G) $\cong$ 125 °C (D)		
						Mounting position		
						A, B, E, F	C	D
<b><math>n_1 = 700 \text{ perm}</math></b>								
GKS04-3N □□□ □B	1B 2B	90.491	0.16	190	7.7	T4	T4	T4
	71 63	100.067	0.14	185	7.0	T4	T4	T4
	105 90	111.467	0.12	170	6.3	T4	T4	T4
		128.874	0.11	187	5.4	T4	T4	T4
		143.556	0.09	172	4.9	T4	T4	T4
		163.332	0.09	190	4.3	T4	T4	T4
		181.939	0.07	174	3.9	T4	T4	T4
		204.682	0.07	190	3.4	T4	T4	T4
		228.000	0.06	177	3.1	T4	T4	T4
	GKS04-3N □□□ □C	1C 2C 3C 4C 6C 7C	5.123	0.98	65	137	T4	T4
80 71 71 71 63 80		7.025	0.82	75	100	T4	T4	T4
160 160 105 120 160 120		8.167	0.98	103	86	T4	T4	T4
		8.991	0.71	83	78	T4	T4	T4
		9.836	0.67	86	71	T4	T4	T4
		11.730	0.98	149	60	T4	T4	T4
		13.067	0.97	165	54	T4	T4	T4
		14.333	0.71	132	49	T4	T4	T4
		16.087	0.82	171	44	T4	T4	T4
		17.920	0.71	166	39	T4	T4	T4
		20.588	0.68	182	34	T4	T4	T4
		22.522	0.62	182	31	T4	T4	T4
		25.088	0.51	167	28	T4	T4	T4
		28.727	0.49	183	24	T4	T4	T4
		32.000	0.40	167	22	T4	T4	T4
		35.191	0.40	183	20	T4	T4	T4
		39.200	0.33	168	18	T4	T4	T4
		44.240	0.32	185	16	T4	T4	T4
		50.943	0.28	182	14	T4	T4	T4
		56.976	0.25	187	12	T4	T4	T4
	64.978	0.22	183	11	T4	T4	T4	
	79.598	0.18	183	8.8	T4	T4	T4	
	100.067	0.14	185	7.0	T4	T4	T4	
	111.467	0.12	170	6.3	T4	T4	T4	
	128.874	0.11	187	5.4	T4	T4	T4	
	143.556	0.09	172	4.9	T4	T4	T4	
GKS04-3N □□□ □D	1D 2D	5.123	0.98	65	137	T4	T4	T4
	90 80	7.025	0.82	75	100	T4	T4	T4
	160 160	8.167	0.98	103	86	T4	T4	T4
		8.991	0.71	83	78	T4	T4	T4
		9.836	0.67	86	71	T4	T4	T4
		11.730	0.98	149	60	T4	T4	T4
		13.067	0.97	165	54	T4	T4	T4
		14.333	0.71	132	49	T4	T4	T4
		16.087	0.82	171	44	T4	T4	T4
		17.920	0.71	166	39	T4	T4	T4
		20.588	0.68	182	34	T4	T4	T4
		22.522	0.62	182	31	T4	T4	T4
		25.088	0.51	167	28	T4	T4	T4
		28.727	0.49	183	24	T4	T4	T4
		32.000	0.40	167	22	T4	T4	T4
		35.191	0.40	183	20	T4	T4	T4
		39.200	0.33	168	18	T4	T4	T4
		50.943	0.28	182	14	T4	T4	T4
		64.978	0.22	183	11	T4	T4	T4
		79.598	0.18	183	8.8	T4	T4	T4

For dimensions, see page 6-86 onwards.

# Helical-bevel gearbox selection table

Gearboxes with mounting flange for Atex category 2GD, 3GD (zone 1, 21, 2, 22)

$M_2 \text{ perm} \leq 331 \text{ Nm}$		GKS05-3N □□□						
Gearbox with	Mounting flange size Motor frame size Flange diameter	i	$P_{1 \text{ perm}}$ [kW]	$M_2 \text{ perm}$ [Nm]	$n_2$ [perm]	Temperature class		
						T3 (G) $\cong$ 190 °C (D) T4 (G) $\cong$ 125 °C (D)		
						Mounting position		
						A, B, E, F	C	D
<b><math>n_1 = 2800 \text{ perm}</math></b>								
GKS05-3N □□□	<b>1B</b>	13.176	2.23	95	213	T3	T3	-
	<b>71</b>	32.744	2.23	237	86	T3	T3	-
	<b>105</b>	36.894	2.05	245	76	T3	T3	-
		41.765	1.97	267	67	T3	T3	-
		47.059	1.84	281	60	T3	T3	-
		66.592	1.42	305	42	T4	T4	-
		75.033	1.18	286	37	T4	T4	-
		82.833	1.14	305	34	T4	T4	-
		93.333	0.96	291	30	T4	T4	-
		107.196	0.88	305	26	T4	T4	-
		120.784	0.80	315	23	T4	T4	-
		130.097	0.79	331	22	T4	T4	-
		146.588	0.66	315	19	T4	T4	-
		166.276	0.61	331	17	T4	T4	-
		187.353	0.52	315	15	T4	T4	-
		211.200	0.46	314	13	T4	T4	-
		227.484	0.38	278	12	T4	T4	-
		256.320	0.38	313	11	T4	T4	-
		290.745	0.29	277	9.6	T4	T4	-
		327.600	0.29	312	8.6	T4	T4	-
GKS05-3N □□□ □C	<b>1C</b> 2C 3C 4C 6C 7C	13.176	2.94	126	213	T3	T3	-
	<b>80</b> 71 71 71 63 80	29.931	2.76	268	94	T3	T3	-
	<b>160</b> 160 105 120 160 120	32.744	2.53	269	86	T3	T3	-
		36.894	2.05	245	76	T3	T3	-
		41.765	1.99	269	67	T3	T3	-
		47.059	1.84	281	60	T3	T3	-
		51.162	1.84	305	55	T4	T3	-
		57.647	1.52	283	49	T4	T3	-
		66.592	1.42	305	42	T4	T3	-
		75.033	1.18	286	37	T4	T3	-
		82.833	1.14	305	34	T4	T4	-
		93.333	0.96	291	30	T4	T4	-
		107.196	0.88	305	26	T4	T4	-
		120.784	0.80	315	23	T4	T4	-
		130.097	0.79	331	22	T4	T4	-
		146.588	0.66	315	19	T4	T4	-
		211.200	0.46	314	13	T4	T4	-
		227.484	0.38	278	12	T4	T4	-
		256.320	0.38	313	11	T4	T4	-
	GKS05-3N □□□ □D	<b>1D</b> 2D	6.863	3.75	83	408	T3	T3
<b>90</b> 80		9.412	3.63	111	298	T3	T3	-
<b>160</b> 160		10.569	3.75	128	265	T3	T3	-
		11.667	3.75	142	240	T3	T3	-
		13.176	2.94	126	213	T3	T3	-
		14.494	3.63	170	193	T3	T3	-
		16.000	3.63	188	175	T3	T3	-
		17.054	3.75	207	164	T3	T3	-
		19.216	3.75	233	146	T3	T3	-
		23.388	3.53	267	120	T3	T3	-
		26.353	2.83	242	106	T3	T3	-
		29.931	2.76	268	94	T3	T3	-
		32.744	2.53	269	86	T3	T3	-
		36.894	2.05	245	76	T3	T3	-
		41.765	1.99	269	67	T3	T3	-
		47.059	1.84	281	60	T3	T3	-
		51.162	1.84	305	55	T4	T3	-
		57.647	1.52	283	49	T4	T3	-
		66.592	1.42	305	42	T4	T3	-
		75.033	1.18	286	37	T4	T3	-
		82.833	1.14	305	34	T4	T4	-
		93.333	0.96	291	30	T4	T4	-

For dimensions, see page 6-86 onwards.

# Helical-bevel gearbox selection table

Gearboxes with mounting flange for Atex category 2GD, 3GD (zone 1, 21, 2, 22)

$M_2 \text{ perm} \leq 331 \text{ Nm}$				GKS05-3N □□□						
Gearbox with	Mounting flange size			i	$P_{1 \text{ perm}}$	$M_2 \text{ perm}$	$n_2$	Temperature class		
	Motor frame size	Flange diameter						T3 (G) $\cong$ 190 °C (D) T4 (G) $\cong$ 125 °C (D)		
								Mounting position		
					[kW]	[Nm]	[perm]	A, B, E, F	C	D

## $n_1 = 2800 \text{ perm}$

GKS05-3N □□□	□E	1E	2E	3E	4E							
	100	112	90	80	90	6.863	4.34	97	408	T3	T3	-
	160	160	160	160	200	9.412	3.63	111	298	T3	T3	-
						10.569	4.34	149	265	T3	T3	-
						11.667	4.34	164	240	T3	T3	-
						13.176	2.94	126	213	T3	T3	-
						14.494	3.63	170	193	T3	T3	-
						16.000	3.63	188	175	T3	T3	-
						17.054	4.35	240	164	T3	T3	-
						19.216	3.87	241	146	T3	T3	-
						23.388	3.53	267	120	T3	T3	-
						26.353	2.83	242	106	T3	T3	-
						29.931	2.76	268	94	T3	T3	-
						32.744	2.53	269	86	T3	T3	-
						36.894	2.05	245	76	T3	T3	-
						41.765	1.99	269	67	T3	T3	-
						47.059	1.84	281	60	T3	T3	-
						51.162	1.84	305	55	T3	T3	-
						57.647	1.52	283	49	T3	T3	-

## $n_1 = 1400 \text{ perm}$

GKS05-3N □□□	1B	71	105											
						13.176	1.37	117	106	T4	T4	T4		
						32.744	1.37	292	43	T4	T4	T4		
						36.894	1.26	302	38	T4	T4	T4		
						41.765	1.22	329	34	T4	T4	T4		
						47.059	1.00	304	30	T4	T4	T4		
						66.592	0.77	331	21	T4	T4	T4		
						75.033	0.64	310	19	T4	T4	T4		
						82.833	0.62	331	17	T4	T4	T4		
						93.333	0.52	315	15	T4	T4	T4		
						107.196	0.48	331	13	T4	T4	T4		
						120.784	0.40	315	12	T4	T4	T4		
						130.097	0.39	331	11	T4	T4	T4		
						146.588	0.33	315	9.6	T4	T4	T4		
						166.276	0.31	331	8.4	T4	T4	T4		
						187.353	0.26	315	7.5	T4	T4	T4		
						211.200	0.23	314	6.6	T4	T4	T4		
						227.484	0.19	278	6.2	T4	T4	T4		
						256.320	0.19	313	5.5	T4	T4	T4		
						290.745	0.15	277	4.8	T4	T4	T4		
						327.600	0.15	312	4.3	T4	T4	T4		
GKS05-3N □□□	□C	1C	2C	3C	4C	6C	7C							
		80	71	71	71	63	80	13.176	1.81	155	106	T4	T4	T4
		160	160	105	120	160	120	29.931	1.70	330	47	T4	T4	T4
								32.744	1.56	331	43	T4	T4	T4
								36.894	1.26	302	38	T4	T4	T4
								41.765	1.22	331	34	T4	T4	T4
								47.059	1.00	304	30	T4	T4	T4
								51.162	1.00	331	27	T4	T4	T4
								57.647	0.82	307	24	T4	T4	T4
								66.592	0.77	331	21	T4	T4	T4
								75.033	0.64	310	19	T4	T4	T4
								82.833	0.62	331	17	T4	T4	T4
								93.333	0.52	315	15	T4	T4	T4
								107.196	0.48	331	13	T4	T4	T4
								120.784	0.40	315	12	T4	T4	T4
								130.097	0.39	331	11	T4	T4	T4
								146.588	0.33	315	9.6	T4	T4	T4
								211.200	0.23	314	6.6	T4	T4	T4
								227.484	0.19	278	6.2	T4	T4	T4
								256.320	0.19	313	5.5	T4	T4	T4

For dimensions, see page 6-86 onwards.

# Helical-bevel gearbox selection table

Gearboxes with mounting flange for Atex category 2GD, 3GD (zone 1, 21, 2, 22)

$M_2 \text{ perm} \leq 331 \text{ Nm}$		GKS05-3N □□□					Temperature class		
Gearbox with	Mounting flange size Motor frame size Flange diameter	i	$P_1 \text{ perm}$ [kW]	$M_2 \text{ perm}$ [Nm]	$n_2$ [perm]	T3 (G) $\cong$ 190 °C (D) T4 (G) $\cong$ 125 °C (D)			
						Mounting position A, B, C D E, F			

## $n_1 = 1400 \text{ perm}$

GKS05-3N □□□	□D	6.863	2.31	103	204	T4	T4	T4	
	1D 2D	9.412	2.23	136	149	T4	T4	T4	
	90 80	10.569	2.31	158	133	T4	T4	T4	
	160 160		11.667	2.31	175	120	T4	T4	T4
			13.176	1.81	155	106	T4	T4	T4
			14.494	2.23	210	97	T4	T4	T4
			16.000	2.23	231	88	T4	T4	T4
			17.054	2.31	255	82	T4	T4	T4
			19.216	2.31	287	73	T4	T4	T4
			23.388	2.17	329	60	T4	T4	T4
			26.353	1.75	298	53	T4	T4	T4
			29.931	1.70	330	47	T4	T4	T4
			32.744	1.56	331	43	T4	T4	T4
			36.894	1.26	302	38	T4	T4	T4
			41.765	1.22	331	34	T4	T4	T4
			47.059	1.00	304	30	T4	T4	T4
			51.162	1.00	331	27	T4	T4	T4
		57.647	0.82	307	24	T4	T4	T4	
	66.592	0.77	331	21	T4	T4	T4		
	75.033	0.64	310	19	T4	T4	T4		
	82.833	0.62	331	17	T4	T4	T4		
	93.333	0.52	315	15	T4	T4	T4		
GKS05-3N □□□	□E	6.863	2.67	119	204	T4	T3	T4	
	1E 1E 2E 3E 4E	9.412	2.23	136	149	T4	T4	T4	
	100 112 90 80 90	10.569	2.67	183	133	T4	T3	T4	
	160 160 160 160 200		11.667	2.67	202	120	T4	T3	T4
			13.176	1.81	155	106	T4	T4	T4
			14.494	2.23	210	97	T4	T4	T4
			16.000	2.23	231	88	T4	T4	T4
			17.054	2.68	296	82	T4	T3	T4
			19.216	2.39	297	73	T4	T3	T4
			23.388	2.17	329	60	T4	T4	T4
			26.353	1.75	298	53	T4	T4	T4
			29.931	1.70	330	47	T4	T4	T4
			32.744	1.56	331	43	T4	T4	T4
			36.894	1.26	302	38	T4	T4	T4
			41.765	1.22	331	34	T4	T4	T4
			47.059	1.00	304	30	T4	T4	T4
			51.162	1.00	331	27	T4	T4	T4
		57.647	0.82	307	24	T4	T4	T4	

## $n_1 = 700 \text{ perm}$

GKS05-3N □□□	1B	13.176	0.72	123	53	T4	T4	T4	
	71	32.744	0.72	305	21	T4	T4	T4	
	105		36.894	0.63	302	19	T4	T4	T4
			41.765	0.61	329	17	T4	T4	T4
			47.059	0.50	304	15	T4	T4	T4
			66.592	0.38	331	11	T4	T4	T4
			75.033	0.32	310	9.3	T4	T4	T4
			82.833	0.31	331	8.5	T4	T4	T4
			93.333	0.26	315	7.5	T4	T4	T4
			107.196	0.24	331	6.5	T4	T4	T4
			120.784	0.20	315	5.8	T4	T4	T4
			130.097	0.20	331	5.4	T4	T4	T4
			146.588	0.17	315	4.8	T4	T4	T4
			166.276	0.15	331	4.2	T4	T4	T4
			187.353	0.13	315	3.7	T4	T4	T4
			211.200	0.11	314	3.3	T4	T4	T4
			227.484	0.09	278	3.1	T4	T4	T4
			256.320	0.09	313	2.7	T4	T4	T4
			290.745	0.07	277	2.4	T4	T4	T4
			327.600	0.07	312	2.1	T4	T4	T4

For dimensions, see page 6-86 onwards.

# Helical-bevel gearbox selection table

Gearboxes with mounting flange for Atex category 2GD, 3GD (zone 1, 21, 2, 22)

$M_2 \text{ perm} \leq 331 \text{ Nm}$		GKS05-3N □□□				
Gearbox with	Mounting flange size Motor frame size Flange diameter	i	$P_1 \text{ perm}$ [kW]	$M_2 \text{ perm}$ [Nm]	$n_2$ [perm]	Temperature class
						T3 (G) $\cong 190 \text{ }^\circ\text{C}$ (D) T4 (G) $\cong 125 \text{ }^\circ\text{C}$ (D)
						Mounting position
						A, B, E, F
						C
						D

## $n_1 = 700 \text{ perm}$

GKS05-3N □□□ □C	1C	2C	3C	4C	6C	7C	13.176	0.91	155	53	T4	T4	T4
	80	71	71	71	63	80	29.931	0.85	330	23	T4	T4	T4
	160	160	105	120	160	120	32.744	0.78	331	21	T4	T4	T4
							36.894	0.63	302	19	T4	T4	T4
							41.765	0.61	331	17	T4	T4	T4
							47.059	0.50	304	15	T4	T4	T4
							51.162	0.50	331	14	T4	T4	T4
							57.647	0.41	307	12	T4	T4	T4
							66.592	0.38	331	11	T4	T4	T4
							75.033	0.32	310	9.3	T4	T4	T4
							82.833	0.31	331	8.5	T4	T4	T4
							93.333	0.26	315	7.5	T4	T4	T4
							107.196	0.24	331	6.5	T4	T4	T4
							120.784	0.20	315	5.8	T4	T4	T4
							130.097	0.20	331	5.4	T4	T4	T4
							146.588	0.17	315	4.8	T4	T4	T4
							211.200	0.11	314	3.3	T4	T4	T4
						227.484	0.09	278	3.1	T4	T4	T4	
						256.320	0.09	313	2.7	T4	T4	T4	
GKS05-3N □□□ □D	1D	2D					6.863	1.34	119	102	T4	T4	T4
	90	80					9.412	1.12	136	74	T4	T4	T4
	160	160					10.569	1.34	183	66	T4	T4	T4
							11.667	1.34	202	60	T4	T4	T4
							13.176	0.91	155	53	T4	T4	T4
							14.494	1.12	210	48	T4	T4	T4
							16.000	1.12	231	44	T4	T4	T4
							17.054	1.34	296	41	T4	T4	T4
							19.216	1.19	297	36	T4	T4	T4
							23.388	1.09	329	30	T4	T4	T4
							26.353	0.87	298	27	T4	T4	T4
							29.931	0.85	330	23	T4	T4	T4
							32.744	0.78	331	21	T4	T4	T4
							36.894	0.63	302	19	T4	T4	T4
							41.765	0.61	331	17	T4	T4	T4
							47.059	0.50	304	15	T4	T4	T4
							51.162	0.50	331	14	T4	T4	T4
						57.647	0.41	307	12	T4	T4	T4	
						66.592	0.38	331	11	T4	T4	T4	
						75.033	0.32	310	9.3	T4	T4	T4	
						82.833	0.31	331	8.5	T4	T4	T4	
						93.333	0.26	315	7.5	T4	T4	T4	
GKS05-3N □□□ □E	1E	1E	2E	3E	4E		6.863	1.34	119	102	T4	T4	T4
	100	112	90	80	90		9.412	1.12	136	74	T4	T4	T4
	160	160	160	160	200		10.569	1.34	183	66	T4	T4	T4
							11.667	1.34	202	60	T4	T4	T4
							13.176	0.91	155	53	T4	T4	T4
							14.494	1.12	210	48	T4	T4	T4
							16.000	1.12	231	44	T4	T4	T4
							17.054	1.34	296	41	T4	T4	T4
							19.216	1.19	297	36	T4	T4	T4
							23.388	1.09	329	30	T4	T4	T4
							26.353	0.87	298	27	T4	T4	T4
							29.931	0.85	330	23	T4	T4	T4
							32.744	0.78	331	21	T4	T4	T4
							36.894	0.63	302	19	T4	T4	T4
							41.765	0.61	331	17	T4	T4	T4
							47.059	0.50	304	15	T4	T4	T4
							51.162	0.50	331	14	T4	T4	T4
						57.647	0.41	307	12	T4	T4	T4	

For dimensions, see page 6-86 onwards.

# Helical-bevel gearbox selection table

Gearboxes with mounting flange for Atex category 2GD, 3GD (zone 1, 21, 2, 22)

$M_2 \text{ perm} \leq 331 \text{ Nm}$		GKS05-4N □□□				Temperature class		
Gearbox with	Mounting flange size Motor frame size Flange diameter	i	$P_1 \text{ perm}$ [kW]	$M_2 \text{ perm}$ [Nm]	$n_2$ [perm]	T3 (G) $\cong$ 190 °C (D) T4 (G) $\cong$ 125 °C (D)		
						Mounting position A, B, C D E, F		
<b><math>n_1 = 1400 \text{ perm}</math></b>								
GKS05-4N □□□	1A	95.238	0.27	166	15	T4	T4	T4
	63	114.987	0.35	256	12	T4	T4	T4
	90	126.933	0.35	283	11	T4	T4	T4
		146.667	0.27	256	9.6	T4	T4	T4
		161.905	0.27	283	8.7	T4	T4	T4
		185.547	0.28	331	7.6	T4	T4	T4
		209.067	0.24	315	6.7	T4	T4	T4
		225.867	0.18	256	6.2	T4	T4	T4
		236.667	0.22	331	5.9	T4	T4	T4
		364.467	0.14	331	3.8	T4	T4	T4
		410.667	0.12	315	3.4	T4	T4	T4
		469.389	0.11	331	3.0	T4	T4	T4
		510.000	0.09	283	2.8	T4	T4	T4
		528.889	0.09	315	2.7	T4	T4	T4
		594.894	0.09	331	2.4	T4	T4	T4
		670.303	0.07	315	2.1	T4	T4	T4
		820.760	0.05	280	1.7	T4	T4	T4
		924.800	0.05	315	1.5	T4	T4	T4
		1040.215	0.04	280	1.4	T4	T4	T4
		1172.073	0.04	315	1.2	T4	T4	T4
1303.560	0.03	280	1.1	T4	T4	T4		
1468.800	0.03	315	1.0	T4	T4	T4		
1717.389	0.03	280	0.8	T4	T4	T4		
1935.086	0.03	315	0.7	T4	T4	T4		
GKS05-4N □□□	□B	95.238	0.27	166	15	T4	T4	T4
	1B 2B	114.987	0.35	256	12	T4	T4	T4
	71 63	126.933	0.35	283	11	T4	T4	T4
	105 90	146.667	0.27	256	9.6	T4	T4	T4
		161.905	0.27	283	8.7	T4	T4	T4
		185.547	0.28	331	7.6	T4	T4	T4
		209.067	0.24	315	6.7	T4	T4	T4
		225.867	0.18	256	6.2	T4	T4	T4
		236.667	0.22	331	5.9	T4	T4	T4
		289.917	0.18	331	4.8	T4	T4	T4
		326.667	0.15	315	4.3	T4	T4	T4
		364.467	0.14	331	3.8	T4	T4	T4
		410.667	0.12	315	3.4	T4	T4	T4
		469.389	0.11	331	3.0	T4	T4	T4
		510.000	0.09	283	2.8	T4	T4	T4
		528.889	0.09	315	2.7	T4	T4	T4
		594.894	0.09	331	2.4	T4	T4	T4
		670.303	0.07	315	2.1	T4	T4	T4
		820.760	0.05	280	1.7	T4	T4	T4
		924.800	0.05	315	1.5	T4	T4	T4
1040.215		0.04	280	1.4	T4	T4	T4	
1172.073	0.04	315	1.2	T4	T4	T4		
1303.560	0.03	280	1.1	T4	T4	T4		
1468.800	0.03	315	1.0	T4	T4	T4		
GKS05-4N □□□	□C	95.238	0.27	166	15	T4	T4	T4
	1C 2C 3C 4C 6C 7C	114.987	0.35	256	12	T4	T4	T4
	80 71 71 71 63 80	126.933	0.35	283	11	T4	T4	T4
	160 160 105 120 160 120	146.667	0.27	256	9.6	T4	T4	T4
		161.905	0.27	283	8.7	T4	T4	T4
		185.547	0.28	331	7.6	T4	T4	T4
		209.067	0.24	315	6.7	T4	T4	T4
		225.867	0.18	256	6.2	T4	T4	T4
		236.667	0.22	331	5.9	T4	T4	T4
	289.917	0.18	331	4.8	T4	T4	T4	

For dimensions, see page 6-86 onwards.

# Helical-bevel gearbox selection table

Gearboxes with mounting flange for Atex category 2GD, 3GD (zone 1, 21, 2, 22)

$M_2 \text{ perm} \leq 331 \text{ Nm}$							GKS05-4N □□□						
Gearbox with	Mounting flange size						i	$P_1 \text{ perm}$	$M_2 \text{ perm}$	$n_2$	Temperature class		
	Motor frame size	Flange diameter				T3 (G) $\cong$ 190 °C (D)					T4 (G) $\cong$ 125 °C (D)		
										Mounting position			
							[kW]	[Nm]	[perm]	A, B, E, F	C	D	
<b><math>n_1 = 1400 \text{ perm}</math></b>													
GKS05-4N □□□	□C						326.667	0.15	315	4.3	T4	T4	T4
	1C	2C	3C	4C	6C	7C	364.467	0.14	331	3.8	T4	T4	T4
	80	71	71	71	63	80	410.667	0.12	315	3.4	T4	T4	T4
	160	160	105	120	160	120	469.389	0.11	331	3.0	T4	T4	T4
							528.889	0.09	315	2.7	T4	T4	T4
							820.760	0.05	280	1.7	T4	T4	T4
							924.800	0.05	315	1.5	T4	T4	T4
<b><math>n_1 = 700 \text{ perm}</math></b>													
GKS05-4N □□□	1A						95.238	0.14	166	7.4	T4	T4	T4
	63						114.987	0.18	256	6.1	T4	T4	T4
	90						126.933	0.18	283	5.5	T4	T4	T4
							146.667	0.14	256	4.8	T4	T4	T4
							161.905	0.14	283	4.3	T4	T4	T4
							185.547	0.14	331	3.8	T4	T4	T4
							209.067	0.12	315	3.4	T4	T4	T4
							225.867	0.09	256	3.1	T4	T4	T4
							236.667	0.11	331	3.0	T4	T4	T4
							364.467	0.07	331	1.9	T4	T4	T4
							410.667	0.06	315	1.7	T4	T4	T4
							469.389	0.06	331	1.5	T4	T4	T4
							510.000	0.04	283	1.4	T4	T4	T4
							528.889	0.05	315	1.3	T4	T4	T4
							594.894	0.04	331	1.2	T4	T4	T4
							670.303	0.04	315	1.0	T4	T4	T4
							820.760	0.03	280	0.9	T4	T4	T4
							924.800	0.03	315	0.8	T4	T4	T4
							1040.215	0.02	280	0.7	T4	T4	T4
							1172.073	0.02	315	0.6	T4	T4	T4
							1303.560	0.02	280	0.5	T4	T4	T4
							1468.800	0.02	315	0.5	T4	T4	T4
							1717.389	0.01	280	0.4	T4	T4	T4
							1935.086	0.01	315	0.4	T4	T4	T4
GKS05-4N □□□	□B						95.238	0.14	166	7.4	T4	T4	T4
	1B	2B					114.987	0.18	256	6.1	T4	T4	T4
	71	63					126.933	0.18	283	5.5	T4	T4	T4
	105	90					146.667	0.14	256	4.8	T4	T4	T4
							161.905	0.14	283	4.3	T4	T4	T4
							185.547	0.14	331	3.8	T4	T4	T4
							209.067	0.12	315	3.4	T4	T4	T4
							225.867	0.09	256	3.1	T4	T4	T4
							236.667	0.11	331	3.0	T4	T4	T4
							289.917	0.09	331	2.4	T4	T4	T4
							326.667	0.08	315	2.1	T4	T4	T4
							364.467	0.07	331	1.9	T4	T4	T4
							410.667	0.06	315	1.7	T4	T4	T4
							469.389	0.06	331	1.5	T4	T4	T4
							510.000	0.04	283	1.4	T4	T4	T4
							528.889	0.05	315	1.3	T4	T4	T4
							594.894	0.04	331	1.2	T4	T4	T4
							670.303	0.04	315	1.0	T4	T4	T4
							820.760	0.03	280	0.9	T4	T4	T4
							924.800	0.03	315	0.8	T4	T4	T4
							1040.215	0.02	280	0.7	T4	T4	T4
							1172.073	0.02	315	0.6	T4	T4	T4
							1303.560	0.02	280	0.5	T4	T4	T4
							1468.800	0.02	315	0.5	T4	T4	T4

For dimensions, see page 6-86 onwards.



# Helical-bevel gearbox selection table

Gearboxes with mounting flange for Atex category 2GD, 3GD (zone 1, 21, 2, 22)

$M_2 \text{ perm} \leq 331 \text{ Nm}$		GKS05-4N □□□				
Gearbox with	Mounting flange size Motor frame size Flange diameter	i	$P_1 \text{ perm}$	$M_2 \text{ perm}$	$n_2$	Temperature class
			[kW]	[Nm]	[perm]	T3 (G) $\cong$ 190 °C (D) T4 (G) $\cong$ 125 °C (D)
						Mounting position
						A, B, C D E, F

## $n_1 = 700 \text{ perm}$

GKS05-4N □□□	□C	1C	2C	3C	4C	6C	7C								
								95.238	0.14	166	7.4	T4	T4	T4	
								114.987	0.18	256	6.1	T4	T4	T4	
								126.933	0.18	283	5.5	T4	T4	T4	
								146.667	0.14	256	4.8	T4	T4	T4	
								161.905	0.14	283	4.3	T4	T4	T4	
								185.547	0.14	331	3.8	T4	T4	T4	
								209.067	0.12	315	3.4	T4	T4	T4	
								225.867	0.09	256	3.1	T4	T4	T4	
								236.667	0.11	331	3.0	T4	T4	T4	
								289.917	0.09	331	2.4	T4	T4	T4	
								326.667	0.08	315	2.1	T4	T4	T4	
								364.467	0.07	331	1.9	T4	T4	T4	
								410.667	0.06	315	1.7	T4	T4	T4	
								469.389	0.06	331	1.5	T4	T4	T4	
								528.889	0.05	315	1.3	T4	T4	T4	
								820.760	0.03	280	0.9	T4	T4	T4	
								924.800	0.03	315	0.8	T4	T4	T4	

For dimensions, see page 6-86 onwards.

# Helical-bevel gearbox selection table

Gearboxes with mounting flange for Atex category 2GD, 3GD (zone 1, 21, 2, 22)

$M_2 \text{ perm} \leq 702 \text{ Nm}$		GKS06-3N □□□							
Gearbox with	Mounting flange size Motor frame size Flange diameter	i	$P_1 \text{ perm}$ [kW]	$M_2 \text{ perm}$ [Nm]	$n_2$ [perm]	Temperature class			
						T3 (G) $\cong$ 190 °C (D)	T4 (G) $\cong$ 125 °C (D)		
						Mounting position			
						A, B, E, F	C	D	
<b><math>n_1 = 2800 \text{ perm}</math></b>									
GKS06-3N □□□	<b>1B</b>	93.176	1.28	386	30	T4	T4	-	
	<b>71</b>	104.967	1.28	435	27	T4	T4	-	
	<b>105</b>	113.082	1.16	424	25	T4	T4	-	
		127.392	1.16	478	22	T4	T4	-	
		142.941	0.93	430	20	T4	T4	-	
		161.029	0.93	484	17	T4	T4	-	
		190.080	1.14	702	15	T4	T4	-	
		214.133	0.92	635	13	T4	T4	-	
		230.688	0.94	702	12	T4	T4	-	
		259.880	0.75	635	11	T4	T4	-	
		291.600	0.74	702	9.6	T4	T4	-	
		328.500	0.60	635	8.5	T4	T4	-	
	GKS06-3N □□□	□C	36.303	3.04	357	77	T3	T3	-
		<b>1C</b>	57.882	3.00	562	48	T4	T3	-
<b>80</b>		65.207	2.73	576	43	T4	T3	-	
<b>160</b>		72.000	2.51	584	39	T4	T3	-	
		81.111	2.21	581	35	T4	T3	-	
		93.176	2.01	607	30	T4	T4	-	
		104.967	1.72	586	27	T4	T4	-	
		113.082	1.82	666	25	T4	T4	-	
		127.392	1.54	635	22	T4	T4	-	
		142.941	1.46	675	20	T4	T4	-	
		161.029	1.22	635	17	T4	T4	-	
		190.080	1.14	702	15	T4	T4	-	
		214.133	0.92	635	13	T4	T4	-	
		230.688	0.94	702	12	T4	T4	-	
		259.880	0.75	635	11	T4	T4	-	
		291.600	0.74	702	9.6	T4	T4	-	
		328.500	0.60	635	8.5	T4	T4	-	
GKS06-3N □□□		□D	11.382	3.75	138	246	T3	T3	-
		<b>1D</b>	17.809	3.75	216	157	T3	T3	-
	<b>90</b>	26.017	3.75	316	108	T3	T3	-	
	<b>160</b>	28.461	3.75	346	98	T3	T3	-	
		32.063	3.75	390	87	T3	T3	-	
		36.303	3.75	441	77	T3	T3	-	
		44.471	4.26	614	63	T3	T3	-	
		53.074	3.73	641	53	T3	T3	-	
		57.882	3.42	641	48	T4	T3	-	
		65.207	2.73	576	43	T4	T3	-	
		72.000	2.78	648	39	T4	T3	-	
		81.111	2.21	581	35	T4	T3	-	
		93.176	2.15	648	30	T4	T4	-	
		104.967	1.72	586	27	T4	T4	-	
		113.082	1.92	702	25	T4	T4	-	
		127.392	1.54	635	22	T4	T4	-	
		190.080	1.14	702	15	T4	T4	-	
		214.133	0.92	635	13	T4	T4	-	
		230.688	0.94	702	12	T4	T4	-	
		259.880	0.75	635	11	T4	T4	-	
	GKS06-3N □□□	□E	6.485	8.27	174	432	T3	T3	-
		<b>1E</b>	9.196	8.27	246	305	T3	T3	-
		<b>100</b>	10.147	8.27	272	276	T3	T3	-
		<b>160</b>	11.382	5.93	219	246	T3	T3	-
		12.612	6.89	281	222	T3	T3	-	
		14.824	8.32	400	189	T3	T3	-	
		16.699	8.24	446	168	T3	T3	-	
		17.809	5.93	342	157	T3	T3	-	
		20.329	6.89	454	138	T3	T3	-	
		22.902	6.63	492	122	T3	T3	-	

For dimensions, see page 6-86 onwards.

# Helical-bevel gearbox selection table

Gearboxes with mounting flange for Atex category 2GD, 3GD (zone 1, 21, 2, 22)

$M_2 \text{ perm} \leq 702 \text{ Nm}$						GKS06-3N □□□							
Gearbox with	Mounting flange size Motor frame size Flange diameter					i	$P_{1 \text{ perm}}$ [kW]	$M_2 \text{ perm}$ [Nm]	$n_2$ [perm]	Temperature class T3 (G) $\cong$ 190 °C (D) T4 (G) $\cong$ 125 °C (D)			
	Mounting position A, B, C E, F			D									
<b><math>n_1 = 2800 \text{ perm}</math></b>													
GKS06-3N □□□ □E <b>1E</b> <b>1E</b> <b>2E</b> <b>3E</b> <b>4E</b> <b>100</b> <b>112</b> <b>90</b> <b>80</b> <b>90</b> <b>160</b> <b>160</b> <b>160</b> <b>160</b> <b>200</b>						26.017	5.95	501	108	T3	T3	-	
						28.461	5.61	518	98	T3	T3	-	
						32.063	4.77	495	87	T3	T3	-	
						36.303	4.73	556	77	T3	T3	-	
						41.472	4.16	560	68	T3	T3	-	
						44.471	4.41	636	63	T3	T3	-	
						53.074	3.73	641	53	T3	T3	-	
						57.882	3.42	641	48	T3	T3	-	
						65.207	2.73	576	43	T3	T3	-	
						72.000	2.78	648	39	T4	T3	-	
						81.111	2.21	581	35	T4	T3	-	
	GKS06-3N □□□ □F <b>1F</b> <b>1F</b> <b>2F</b> <b>3F</b> <b>100</b> <b>112</b> <b>90</b> <b>90</b> <b>160</b> <b>160</b> <b>160</b> <b>200</b>						6.485	8.27	174	432	T3	-	-
							9.196	8.27	246	305	T3	-	-
							10.147	8.27	272	276	T3	-	-
						11.382	5.93	219	246	T3	-	-	
						12.612	6.89	281	222	T3	-	-	
						14.824	8.32	400	189	T3	-	-	
						16.699	8.24	446	168	T3	-	-	
						17.809	5.93	342	157	T3	-	-	
						20.329	6.89	454	138	T3	-	-	
						22.902	6.63	492	122	T3	-	-	
						26.017	5.95	501	108	T3	-	-	
						28.461	5.61	518	98	T3	-	-	
						32.063	4.77	495	87	T3	-	-	
						36.303	4.73	556	77	T3	-	-	
					41.472	4.16	560	68	T3	-	-		
					44.471	4.41	636	63	T3	-	-		
					53.074	3.73	641	53	T3	-	-		
<b><math>n_1 = 1400 \text{ perm}</math></b>													
GKS06-3N □□□ <b>1B</b> <b>71</b> <b>105</b>						93.176	0.69	419	15	T4	T4	T4	
						104.967	0.69	472	13	T4	T4	T4	
						113.082	0.58	424	12	T4	T4	T4	
						127.392	0.58	478	11	T4	T4	T4	
						142.941	0.46	430	9.8	T4	T4	T4	
						161.029	0.46	484	8.7	T4	T4	T4	
						190.080	0.57	702	7.4	T4	T4	T4	
						214.133	0.46	635	6.5	T4	T4	T4	
						230.688	0.47	702	6.1	T4	T4	T4	
						259.880	0.38	635	5.4	T4	T4	T4	
						291.600	0.37	702	4.8	T4	T4	T4	
						328.500	0.30	635	4.3	T4	T4	T4	
	GKS06-3N □□□ □C <b>1C</b> <b>2C</b> <b>3C</b> <b>4C</b> <b>6C</b> <b>7C</b> <b>80</b> <b>71</b> <b>71</b> <b>71</b> <b>63</b> <b>80</b> <b>160</b> <b>160</b> <b>105</b> <b>120</b> <b>160</b> <b>120</b>						36.303	1.87	440	39	T4	T4	T4
							57.882	1.62	609	24	T4	T4	T4
						65.207	1.48	624	22	T4	T4	T4	
						72.000	1.36	633	19	T4	T4	T4	
						81.111	1.20	630	17	T4	T4	T4	
						93.176	1.09	658	15	T4	T4	T4	
						104.967	0.93	635	13	T4	T4	T4	
						113.082	0.91	666	12	T4	T4	T4	
						127.392	0.77	635	11	T4	T4	T4	
						142.941	0.73	675	9.8	T4	T4	T4	
						161.029	0.61	635	8.7	T4	T4	T4	
						190.080	0.57	702	7.4	T4	T4	T4	
						214.133	0.46	635	6.5	T4	T4	T4	
						230.688	0.47	702	6.1	T4	T4	T4	
					259.880	0.38	635	5.4	T4	T4	T4		
					291.600	0.37	702	4.8	T4	T4	T4		
					328.500	0.30	635	4.3	T4	T4	T4		

For dimensions, see page 6-86 onwards.

# Helical-bevel gearbox selection table

Gearboxes with mounting flange for Atex category 2GD, 3GD (zone 1, 21, 2, 22)

$M_2 \text{ perm} \leq 702 \text{ Nm}$		GKS06-3N □□□				
Gearbox with	Mounting flange size Motor frame size Flange diameter	i	$P_1 \text{ perm}$ [kW]	$M_2 \text{ perm}$ [Nm]	$n_2$ [perm]	Temperature class
						T3 (G) $\cong$ 190 °C (D) T4 (G) $\cong$ 125 °C (D)
						Mounting position
						A, B, E, F
						C
						D

## $n_1 = 1400 \text{ perm}$

GKS06-3N □□□ □D 1D 2D 90 80 160 160		11.382	2.31	170	123	T4	T4	T4
		17.809	2.31	266	79	T4	T4	T4
		26.017	2.31	389	54	T4	T4	T4
		28.461	2.31	426	49	T4	T4	T4
		32.063	2.31	480	44	T4	T4	T4
		36.303	2.31	543	39	T4	T4	T4
		44.471	2.31	665	32	T4	T4	T4
		53.074	2.02	695	26	T4	T4	T4
		57.882	1.85	695	24	T4	T4	T4
		65.207	1.48	624	22	T4	T4	T4
		72.000	1.50	702	19	T4	T4	T4
		81.111	1.20	630	17	T4	T4	T4
		93.176	1.16	702	15	T4	T4	T4
		104.967	0.93	635	13	T4	T4	T4
		113.082	0.96	702	12	T4	T4	T4
		127.392	0.77	635	11	T4	T4	T4
		190.080	0.57	702	7.4	T4	T4	T4
		214.133	0.46	635	6.5	T4	T4	T4
		230.688	0.47	702	6.1	T4	T4	T4
		259.880	0.38	635	5.4	T4	T4	T4
GKS06-3N □□□ □E 1E 1E 2E 3E 4E 100 112 90 80 90 160 160 160 160 200		6.485	5.09	214	216	T3	T3	T3
		9.196	5.09	303	152	T3	T3	T3
		10.147	5.09	335	138	T3	T3	T3
		11.382	3.65	269	123	T4	T4	T4
		12.612	4.24	346	111	T4	T3	T4
		14.824	5.12	492	94	T3	T3	T3
		16.699	5.07	549	84	T3	T3	T3
		17.809	3.65	421	79	T4	T4	T4
		20.329	4.24	559	69	T4	T3	T4
		22.902	4.08	606	61	T4	T3	T4
		26.017	3.66	617	54	T4	T4	T4
		28.461	3.46	637	49	T4	T4	T4
		32.063	2.94	610	44	T4	T4	T4
		36.303	2.91	685	39	T4	T4	T4
		41.472	2.56	689	34	T4	T3	T4
		44.471	2.39	689	32	T4	T4	T4
		53.074	2.02	695	26	T4	T4	T4
		57.882	1.85	695	24	T4	T4	T4
		65.207	1.48	624	22	T4	T4	T4
		72.000	1.50	702	19	T4	T4	T4
	81.111	1.20	630	17	T4	T4	T4	
GKS06-3N □□□ □F 1F 1F 2F 3F 100 112 90 90 160 160 160 200		6.485	5.09	214	216	T3	T3	T3
		9.196	5.09	303	152	T3	T3	T3
		10.147	5.09	335	138	T3	T3	T3
		11.382	3.65	269	123	T4	T4	T4
		12.612	4.24	346	111	T4	T3	T4
		14.824	5.12	492	94	T3	T3	T3
		16.699	5.07	549	84	T3	T3	T3
		17.809	3.65	421	79	T4	T4	T4
		20.329	4.24	559	69	T4	T3	T4
		22.902	4.08	606	61	T4	T3	T4
		26.017	3.66	617	54	T4	T4	T4
		28.461	3.46	637	49	T4	T4	T4
		32.063	2.94	610	44	T4	T4	T4
		36.303	2.91	685	39	T4	T4	T4
		41.472	2.56	689	34	T4	T3	T4
		44.471	2.39	689	32	T4	T4	T4
		53.074	2.02	695	26	T4	T4	T4

For dimensions, see page 6-86 onwards.

# Helical-bevel gearbox selection table

Gearboxes with mounting flange for Atex category 2GD, 3GD (zone 1, 21, 2, 22)

$M_2 \text{ perm} \leq 702 \text{ Nm}$		GKS06-3N □□□											
Gearbox with	Mounting flange size Motor frame size Flange diameter	i	$P_1 \text{ perm}$ [kW]	$M_2 \text{ perm}$ [Nm]	$n_2$ [perm]	Temperature class							
						T3 (G) $\cong$ 190 °C (D) T4 (G) $\cong$ 125 °C (D)							
						Mounting position							
						A, B, E, F	C	D					
<b><math>n_1 = 700 \text{ perm}</math></b>													
GKS06-3N □□□	<b>1B</b>		93.176	0.35	419	7.5	T4	T4	T4				
	<b>71</b>		104.967	0.35	472	6.7	T4	T4	T4				
	<b>105</b>		113.082	0.29	424	6.2	T4	T4	T4				
			127.392	0.29	478	5.5	T4	T4	T4				
			142.941	0.23	430	4.9	T4	T4	T4				
			161.029	0.23	484	4.4	T4	T4	T4				
			190.080	0.28	702	3.7	T4	T4	T4				
			214.133	0.23	635	3.3	T4	T4	T4				
			230.688	0.23	702	3.0	T4	T4	T4				
			259.880	0.19	635	2.7	T4	T4	T4				
			291.600	0.19	702	2.4	T4	T4	T4				
			328.500	0.15	635	2.1	T4	T4	T4				
	GKS06-3N □□□	□C		36.303	1.18	553	19	T4	T4	T4			
		<b>1C</b>	2C	3C	4C	6C	7C	T4	T4	T4			
<b>80</b>		71	71	71	63	80	T4	T4	T4				
<b>160</b>		160	105	120	160	120	T4	T4	T4				
				72.000	0.68	633	9.7	T4	T4	T4			
				81.111	0.60	630	8.6	T4	T4	T4			
				93.176	0.54	658	7.5	T4	T4	T4			
				104.967	0.47	635	6.7	T4	T4	T4			
				113.082	0.45	666	6.2	T4	T4	T4			
				127.392	0.38	635	5.5	T4	T4	T4			
				142.941	0.36	675	4.9	T4	T4	T4			
				161.029	0.30	635	4.4	T4	T4	T4			
				190.080	0.28	702	3.7	T4	T4	T4			
				214.133	0.23	635	3.3	T4	T4	T4			
GKS06-3N □□□	□D		11.382	1.54	227	62	T4	T4	T4				
	<b>1D</b>	2D	17.809	1.54	355	39	T4	T4	T4				
	<b>90</b>	80	26.017	1.54	519	27	T4	T4	T4				
	<b>160</b>	160	28.461	1.54	568	25	T4	T4	T4				
				32.063	1.47	610	22	T4	T4	T4			
				36.303	1.46	685	19	T4	T4	T4			
				44.471	1.20	689	16	T4	T4	T4			
				53.074	1.01	695	13	T4	T4	T4			
				57.882	0.93	695	12	T4	T4	T4			
				65.207	0.74	624	11	T4	T4	T4			
				72.000	0.75	702	9.7	T4	T4	T4			
				81.111	0.60	630	8.6	T4	T4	T4			
				93.176	0.58	702	7.5	T4	T4	T4			
				104.967	0.47	635	6.7	T4	T4	T4			
GKS06-3N □□□	□E		6.485	2.54	214	108	T4	T4	T4				
	<b>1E</b>	<b>1E</b>	2E	3E	4E		T4	T4	T4				
	<b>100</b>	<b>112</b>	90	80	90		T4	T4	T4				
	<b>160</b>	<b>160</b>	160	160	200		T4	T4	T4				
							9.196	2.54	303	76	T4	T4	T4
							10.147	2.54	335	69	T4	T4	T4
							11.382	1.83	269	62	T4	T4	T4
							12.612	2.12	346	56	T4	T4	T4
							14.824	2.56	492	47	T4	T4	T4
							16.699	2.54	549	42	T4	T4	T4
							17.809	1.83	421	39	T4	T4	T4

For dimensions, see page 6-86 onwards.

# Helical-bevel gearbox selection table

Gearboxes with mounting flange for Atex category 2GD, 3GD (zone 1, 21, 2, 22)

$M_2 \text{ perm} \leq 702 \text{ Nm}$		GKS06-3N □□□				
Gearbox with	Mounting flange size Motor frame size Flange diameter	i	$P_1 \text{ perm}$	$M_2 \text{ perm}$	$n_2$	Temperature class
			[kW]	[Nm]	[perm]	T3 (G) $\cong$ 190 °C (D) T4 (G) $\cong$ 125 °C (D)
						Mounting position
						A, B, E, F
						C
						D

## $n_1 = 700 \text{ perm}$

GKS06-3N □□□ □E	1E	2E	3E	4E	20.329	2.12	559	34	T4	T4	T4	
	100	112	90	90	22.902	2.04	606	31	T4	T4	T4	
	160	160	160	200	26.017	1.83	617	27	T4	T4	T4	
					28.461	1.73	637	25	T4	T4	T4	
					32.063	1.47	610	22	T4	T4	T4	
					36.303	1.46	685	19	T4	T4	T4	
					41.472	1.28	689	17	T4	T4	T4	
					44.471	1.20	689	16	T4	T4	T4	
					53.074	1.01	695	13	T4	T4	T4	
					57.882	0.93	695	12	T4	T4	T4	
					65.207	0.74	624	11	T4	T4	T4	
					72.000	0.75	702	9.7	T4	T4	T4	
					81.111	0.60	630	8.6	T4	T4	T4	
	GKS06-3N □□□ □F	1F	2F	3F		6.485	2.54	214	108	T4	T4	T4
		100	112	90	90	9.196	2.54	303	76	T4	T4	T4
160		160	160	200	10.147	2.54	335	69	T4	T4	T4	
					11.382	1.83	269	62	T4	T4	T4	
					12.612	2.12	346	56	T4	T4	T4	
					14.824	2.56	492	47	T4	T4	T4	
					16.699	2.54	549	42	T4	T4	T4	
					17.809	1.83	421	39	T4	T4	T4	
					20.329	2.12	559	34	T4	T4	T4	
					22.902	2.04	606	31	T4	T4	T4	
					26.017	1.83	617	27	T4	T4	T4	
					28.461	1.73	637	25	T4	T4	T4	
					32.063	1.47	610	22	T4	T4	T4	
					36.303	1.46	685	19	T4	T4	T4	
					41.472	1.28	689	17	T4	T4	T4	
				44.471	1.20	689	16	T4	T4	T4		
				53.074	1.01	695	13	T4	T4	T4		

For dimensions, see page 6-86 onwards.

# Helical-bevel gearbox selection table

Gearboxes with mounting flange for Atex category 2GD, 3GD (zone 1, 21, 2, 22)

$M_2 \text{ perm} \leq 702 \text{ Nm}$		GKS06-4N □□□				
Gearbox with	Mounting flange size Motor frame size Flange diameter	i	$P_1 \text{ perm}$ [kW]	$M_2 \text{ perm}$ [Nm]	$n_2$ [perm]	Temperature class
						T3 (G) $\cong$ 190 °C (D) T4 (G) $\cong$ 125 °C (D)
						Mounting position
						A, B, E, F
						C
						D

## $n_1 = 1400 \text{ perm}$

GKS06-4N □□□	1A 63 90	103.721	0.59	390	14	T4	T4	T4
		113.205	0.59	425	12	T4	T4	T4
		127.059	0.59	478	11	T4	T4	T4
		140.816	0.59	529	9.9	T4	T4	T4
		174.336	0.48	537	8.0	T4	T4	T4
		224.524	0.38	537	6.2	T4	T4	T4
		279.286	0.30	537	5.0	T4	T4	T4
		316.800	0.35	702	4.4	T4	T4	T4
		361.429	0.23	537	3.9	T4	T4	T4
		408.000	0.27	702	3.4	T4	T4	T4
		458.067	0.18	537	3.1	T4	T4	T4
		517.091	0.21	702	2.7	T4	T4	T4
		555.927	0.15	537	2.5	T4	T4	T4
		640.800	0.17	702	2.2	T4	T4	T4
		696.668	0.12	537	2.0	T4	T4	T4
		812.137	0.14	702	1.7	T4	T4	T4
		914.907	0.11	635	1.5	T4	T4	T4
		1017.741	0.11	702	1.4	T4	T4	T4
		1146.529	0.09	635	1.2	T4	T4	T4
		1340.834	0.08	702	1.0	T4	T4	T4
1510.507	0.07	635	0.9	T4	T4	T4		
GKS06-4N □□□	□B 1B 2B 71 63 105 90	103.721	0.98	650	14	T4	T4	T4
		113.205	0.74	537	12	T4	T4	T4
		127.059	0.85	689	11	T4	T4	T4
		140.816	0.60	537	9.9	T4	T4	T4
		155.647	0.70	689	9.0	T4	T4	T4
		174.336	0.48	537	8.0	T4	T4	T4
		202.588	0.54	695	6.9	T4	T4	T4
		224.524	0.38	537	6.2	T4	T4	T4
		252.000	0.44	702	5.6	T4	T4	T4
		279.286	0.30	537	5.0	T4	T4	T4
		316.800	0.35	702	4.4	T4	T4	T4
		361.429	0.23	537	3.9	T4	T4	T4
		408.000	0.27	702	3.4	T4	T4	T4
		458.067	0.18	537	3.1	T4	T4	T4
		517.091	0.21	702	2.7	T4	T4	T4
		555.927	0.15	537	2.5	T4	T4	T4
		640.800	0.17	702	2.2	T4	T4	T4
		696.668	0.12	537	2.0	T4	T4	T4
		812.137	0.14	702	1.7	T4	T4	T4
		914.907	0.11	635	1.5	T4	T4	T4
1017.741	0.11	702	1.4	T4	T4	T4		
1146.529	0.09	635	1.2	T4	T4	T4		
GKS06-4N □□□	□C 1C 2C 3C 4C 6C 7C 80 71 71 71 63 80 160 160 105 120 160 120	103.721	1.04	685	14	T4	T4	T4
		113.205	0.74	537	12	T4	T4	T4
		127.059	0.85	689	11	T4	T4	T4
		140.816	0.60	537	9.9	T4	T4	T4
		155.647	0.70	689	9.0	T4	T4	T4
		174.336	0.48	537	8.0	T4	T4	T4
		202.588	0.54	695	6.9	T4	T4	T4
		224.524	0.38	537	6.2	T4	T4	T4
		252.000	0.44	702	5.6	T4	T4	T4
		279.286	0.30	537	5.0	T4	T4	T4
		316.800	0.35	702	4.4	T4	T4	T4
		361.429	0.23	537	3.9	T4	T4	T4
		408.000	0.27	702	3.4	T4	T4	T4
		458.067	0.18	537	3.1	T4	T4	T4
		517.091	0.21	702	2.7	T4	T4	T4

For dimensions, see page 6-86 onwards.

# Helical-bevel gearbox selection table

Gearboxes with mounting flange for Atex category 2GD, 3GD (zone 1, 21, 2, 22)

$M_2 \text{ perm} \leq 702 \text{ Nm}$		GKS06-4N □□□						
Gearbox with Mounting flange size Motor frame size Flange diameter	i	$P_1 \text{ perm}$ [kW]	$M_2 \text{ perm}$ [Nm]	$n_2$ [perm]	Temperature class			
					T3 (G) $\cong$ 190 °C (D) T4 (G) $\cong$ 125 °C (D)			
					Mounting position			
					A, B, E, F	C	D	
<b><math>n_1 = 1400 \text{ perm}</math></b>								
GKS06-4N □□□ □D	103.721	1.04	685	14	T4	T4	T4	
1D 2D	113.205	0.74	537	12	T4	T4	T4	
90 80	127.059	0.85	689	11	T4	T4	T4	
160 160	140.816	0.60	537	9.9	T4	T4	T4	
	155.647	0.70	689	9.0	T4	T4	T4	
	202.588	0.54	695	6.9	T4	T4	T4	
	252.000	0.44	702	5.6	T4	T4	T4	
<b><math>n_1 = 700 \text{ perm}</math></b>								
GKS06-4N □□□ 1A	103.721	0.30	390	6.8	T4	T4	T4	
63	113.205	0.30	425	6.2	T4	T4	T4	
90	127.059	0.30	478	5.5	T4	T4	T4	
	140.816	0.30	529	5.0	T4	T4	T4	
	174.336	0.24	537	4.0	T4	T4	T4	
	224.524	0.19	537	3.1	T4	T4	T4	
	279.286	0.15	537	2.5	T4	T4	T4	
	316.800	0.17	702	2.2	T4	T4	T4	
	361.429	0.12	537	1.9	T4	T4	T4	
	408.000	0.14	702	1.7	T4	T4	T4	
	458.067	0.09	537	1.5	T4	T4	T4	
	517.091	0.11	702	1.4	T4	T4	T4	
	555.927	0.08	537	1.3	T4	T4	T4	
	640.800	0.09	702	1.1	T4	T4	T4	
	696.668	0.06	537	1.0	T4	T4	T4	
	812.137	0.07	702	0.9	T4	T4	T4	
	914.907	0.05	635	0.8	T4	T4	T4	
	1017.741	0.05	702	0.7	T4	T4	T4	
	1146.529	0.04	635	0.6	T4	T4	T4	
	1340.834	0.04	702	0.5	T4	T4	T4	
	1510.507	0.03	635	0.5	T4	T4	T4	
GKS06-4N □□□ □B	103.721	0.49	650	6.8	T4	T4	T4	
1B 2B	113.205	0.37	537	6.2	T4	T4	T4	
71 63	127.059	0.43	689	5.5	T4	T4	T4	
105 90	140.816	0.30	537	5.0	T4	T4	T4	
	155.647	0.35	689	4.5	T4	T4	T4	
	174.336	0.24	537	4.0	T4	T4	T4	
	202.588	0.27	695	3.5	T4	T4	T4	
	224.524	0.19	537	3.1	T4	T4	T4	
	252.000	0.22	702	2.8	T4	T4	T4	
	279.286	0.15	537	2.5	T4	T4	T4	
	316.800	0.17	702	2.2	T4	T4	T4	
	361.429	0.12	537	1.9	T4	T4	T4	
	408.000	0.14	702	1.7	T4	T4	T4	
	458.067	0.09	537	1.5	T4	T4	T4	
	517.091	0.11	702	1.4	T4	T4	T4	
	555.927	0.08	537	1.3	T4	T4	T4	
	640.800	0.09	702	1.1	T4	T4	T4	
	696.668	0.06	537	1.0	T4	T4	T4	
	812.137	0.07	702	0.9	T4	T4	T4	
	914.907	0.05	635	0.8	T4	T4	T4	
	1017.741	0.05	702	0.7	T4	T4	T4	
	1146.529	0.04	635	0.6	T4	T4	T4	
GKS06-4N □□□ □C	103.721	0.52	685	6.8	T4	T4	T4	
1C 2C 3C 4C 6C 7C	113.205	0.37	537	6.2	T4	T4	T4	
80 71 71 71 63 80	127.059	0.43	689	5.5	T4	T4	T4	
160 160 105 120 160 120	140.816	0.30	537	5.0	T4	T4	T4	
	155.647	0.35	689	4.5	T4	T4	T4	
	174.336	0.24	537	4.0	T4	T4	T4	
	202.588	0.27	695	3.5	T4	T4	T4	

For dimensions, see page 6-86 onwards.



# Helical-bevel gearbox selection table

Gearboxes with mounting flange for Atex category 2GD, 3GD (zone 1, 21, 2, 22)

$M_2 \text{ perm} \leq 702 \text{ Nm}$							GKS06-4N □□□						
Gearbox with	Mounting flange size						i	$P_{1 \text{ perm}}$	$M_2 \text{ perm}$	$n_2$	Temperature class		
	Motor frame size	Flange diameter				T3 (G) $\cong$ 190 °C (D)					T4 (G) $\cong$ 125 °C (D)		
										Mounting position			
							[kW]	[Nm]	[perm]	A, B, E, F	C	D	
<b><math>n_1 = 700 \text{ perm}</math></b>													
GKS06-4N □□□	□C						224.524	0.19	537	3.1	T4	T4	T4
	<b>1C</b>	2C	3C	4C	6C	7C	252.000	0.22	702	2.8	T4	T4	T4
	<b>80</b>	71	71	71	63	80	279.286	0.15	537	2.5	T4	T4	T4
	<b>160</b>	160	105	120	160	120	316.800	0.17	702	2.2	T4	T4	T4
							361.429	0.12	537	1.9	T4	T4	T4
							408.000	0.14	702	1.7	T4	T4	T4
							640.800	0.09	702	1.1	T4	T4	T4
GKS06-4N □□□	□D						103.721	0.52	685	6.8	T4	T4	T4
	<b>1D</b>	2D					113.205	0.37	537	6.2	T4	T4	T4
	<b>90</b>	80					127.059	0.43	689	5.5	T4	T4	T4
	<b>160</b>	160					140.816	0.30	537	5.0	T4	T4	T4
							155.647	0.35	689	4.5	T4	T4	T4
							202.588	0.27	695	3.5	T4	T4	T4
							252.000	0.22	702	2.8	T4	T4	T4

For dimensions, see page 6-86 onwards.

# Helical-bevel gearbox selection table

Gearboxes with mounting flange for Atex category 2GD, 3GD (zone 1, 21, 2, 22)

$M_2 \text{ perm} \leq 1330 \text{ Nm}$							GKS07-3N □□□						
Gearbox with	Mounting flange size Motor frame size Flange diameter						i	$P_1 \text{ perm}$ [kW]	$M_2 \text{ perm}$ [Nm]	$n_2$ [perm]	Temperature class T3 (G) $\cong$ 190 °C (D) T4 (G) $\cong$ 125 °C (D)		
	Mounting position A, B, C E, F			D									

## $n_1 = 2800 \text{ perm}$

GKS07-3N □□□ □C	1C	2C	3C	4C	6C	7C	92.563	2.47	740	30	T4	T3	-	
	80	71	71	71	63	80	104.296	2.47	834	27	T4	T3	-	
	160	160	105	120	160	120	112.338	2.23	813	25	T4	T4	-	
							126.578	2.23	916	22	T4	T4	-	
							184.600	2.22	1330	15	T4	T3	-	
							208.000	1.80	1215	14	T4	T3	-	
							224.037	1.83	1330	13	T4	T4	-	
							252.436	1.49	1215	11	T4	T4	-	
							283.193	1.45	1330	9.9	T4	T4	-	
							319.091	1.18	1215	8.8	T4	T4	-	
	GKS07-3N □□□ □D	1D	2D					36.063	3.75	438	78	T3	T3	-
		90	80					57.501	4.26	794	49	T3	T3	-
		160	160					64.790	4.26	894	43	T3	T3	-
								70.474	4.23	967	40	T3	T3	-
							79.407	4.23	1089	35	T3	T3	-	
							92.563	3.32	995	30	T4	T3	-	
							104.296	3.32	1121	27	T4	T3	-	
							112.338	3.00	1093	25	T4	T4	-	
							126.578	2.96	1215	22	T4	T4	-	
							140.548	2.92	1330	20	T3	T3	-	
							158.364	2.37	1215	18	T3	T3	-	
							184.600	2.22	1330	15	T4	T3	-	
							208.000	1.80	1215	14	T4	T3	-	
							224.037	1.83	1330	13	T4	T4	-	
GKS07-3N □□□ □E	1E	1E	2E	3E	4E		11.378	10.72	395	246	T3	T3	-	
	100	112	90	80	90		17.270	10.72	600	162	T3	T3	-	
	160	160	160	160	200		25.244	10.72	876	111	T3	T3	-	
							28.274	10.66	976	99	T3	T3	-	
							31.858	9.22	952	88	T3	T3	-	
							36.063	8.97	1048	78	T3	T3	-	
							44.178	8.38	1200	63	T3	T3	-	
							50.345	7.35	1200	56	T3	T3	-	
							57.501	6.49	1209	49	T3	T3	-	
							64.790	5.25	1103	43	T3	T3	-	
							70.474	5.33	1218	40	T3	T3	-	
							79.407	4.32	1112	35	T3	T3	-	
							92.563	4.09	1227	30	T4	T3	-	
							104.296	3.32	1121	27	T4	T3	-	
						112.338	3.65	1330	25	T4	T3	-		
						126.578	2.96	1215	22	T4	T3	-		
						140.548	2.92	1330	20	T3	T3	-		
						158.364	2.37	1215	18	T3	T3	-		
						184.600	2.22	1330	15	T4	T3	-		
						208.000	1.80	1215	14	T4	T3	-		
						224.037	1.83	1330	13	T4	T3	-		
						252.436	1.49	1215	11	T4	T3	-		
GKS07-3N □□□ □F	1F	1F	2F	3F			5.955	10.72	207	470	T3	-	-	
	100	112	90	90			8.254	10.72	287	339	T3	-	-	
	160	160	160	200			9.171	10.72	318	305	T3	-	-	
							10.124	10.72	351	277	T3	-	-	
							11.378	10.72	395	246	T3	-	-	
							12.711	10.72	441	220	T3	-	-	
							14.798	10.72	514	189	T3	-	-	
							16.674	10.72	579	168	T3	-	-	
							17.270	10.72	600	162	T3	-	-	
							20.511	10.72	712	137	T3	-	-	
							23.111	10.72	802	121	T3	-	-	
							25.244	10.72	876	111	T3	-	-	

For dimensions, see page 6-86 onwards.

# Helical-bevel gearbox selection table

Gearboxes with mounting flange for Atex category 2GD, 3GD (zone 1, 21, 2, 22)

$M_2 \text{ perm} \leq 1330 \text{ Nm}$				GKS07-3N □□□							
Gearbox with	Mounting flange size			i	$P_1 \text{ perm}$	$M_2 \text{ perm}$	$n_2$	Temperature class			
	Motor frame size	Flange diameter						T3 (G) $\cong$ 190 °C (D) T4 (G) $\cong$ 125 °C (D)			
					[kW]	[Nm]	[perm]	Mounting position			
								A, B, E, F	C	D	
<b><math>n_1 = 2800 \text{ perm}</math></b>											
GKS07-3N □□□	□F			28.274	10.66	976	99	T3	-	-	
	1F	1F	2F	31.858	9.22	952	88	T3	-	-	
	100	112	90	36.063	8.97	1048	78	T3	-	-	
	160	160	160	40.906	7.91	1048	69	T3	-	-	
				44.178	8.38	1200	63	T3	-	-	
				50.345	7.35	1200	56	T3	-	-	
				57.501	6.49	1209	49	T3	-	-	
				64.790	5.25	1103	43	T3	-	-	
				70.474	5.33	1218	40	T3	-	-	
				79.407	4.32	1112	35	T3	-	-	
				140.548	2.92	1330	20	T3	-	-	
				158.364	2.37	1215	18	T3	-	-	
	GKS07-3N □□□	□G			5.955	16.23	313	470	T3	-	-
		1G	2G	2G	8.254	13.46	360	339	T3	-	-
132		100	112	9.171	16.23	482	305	T3	-	-	
300		250	250	10.124	16.23	532	277	T3	-	-	
				11.378	11.07	408	246	T3	-	-	
				12.711	13.46	554	220	T3	-	-	
				14.798	16.31	782	189	T3	-	-	
				16.674	16.10	870	168	T3	-	-	
				17.270	11.87	664	162	T3	-	-	
				20.511	13.43	893	137	T3	-	-	
				23.111	12.67	949	121	T3	-	-	
				25.244	11.69	956	111	T3	-	-	
				28.274	10.66	976	99	T3	-	-	
				31.858	9.22	952	88	T3	-	-	
			36.063	8.97	1048	78	T3	-	-		
			40.906	7.91	1048	69	T3	-	-		
			44.178	8.38	1200	63	T3	-	-		
			50.345	7.35	1200	56	T3	-	-		
<b><math>n_1 = 1400 \text{ perm}</math></b>											
GKS07-3N □□□	□C			92.563	1.34	802	15	T4	T4	T4	
	1C	2C	3C	104.296	1.34	904	13	T4	T4	T4	
	80	71	71	112.338	1.12	813	13	T4	T4	T4	
	160	160	105	126.578	1.12	916	11	T4	T4	T4	
				184.600	1.11	1330	7.6	T4	T4	T4	
				208.000	0.90	1215	6.7	T4	T4	T4	
				224.037	0.92	1330	6.3	T4	T4	T4	
				252.436	0.74	1215	5.6	T4	T4	T4	
				283.193	0.72	1330	4.9	T4	T4	T4	
				319.091	0.59	1215	4.4	T4	T4	T4	
	GKS07-3N □□□	□D			36.063	2.31	540	39	T4	T4	T4
		1D	2D		57.501	2.31	860	24	T4	T4	T4
		90	80		64.790	2.31	969	22	T4	T4	T4
		160	160		70.474	2.29	1048	20	T4	T4	T4
				79.407	2.29	1181	18	T4	T4	T4	
				92.563	1.80	1079	15	T4	T4	T4	
				104.296	1.80	1215	13	T4	T4	T4	
				112.338	1.50	1093	13	T4	T4	T4	
				126.578	1.48	1215	11	T4	T4	T4	
				140.548	1.46	1330	10.0	T4	T4	T4	
				158.364	1.18	1215	8.8	T4	T4	T4	
				184.600	1.11	1330	7.6	T4	T4	T4	
				208.000	0.90	1215	6.7	T4	T4	T4	
				224.037	0.92	1330	6.3	T4	T4	T4	
			252.436	0.74	1215	5.6	T4	T4	T4		
			283.193	0.72	1330	4.9	T4	T4	T4		
			319.091	0.59	1215	4.4	T4	T4	T4		

For dimensions, see page 6-86 onwards.

# Helical-bevel gearbox selection table

Gearboxes with mounting flange for Atex category 2GD, 3GD (zone 1, 21, 2, 22)

$M_2 \text{ perm} \leq 1330 \text{ Nm}$				GKS07-3N □□□						
Gearbox with	Mounting flange size			i	$P_1 \text{ perm}$	$M_2 \text{ perm}$	$n_2$	Temperature class		
	Motor frame size	Flange diameter						T3 (G) $\cong$ 190 °C (D)	T4 (G) $\cong$ 125 °C (D)	Mounting position
								A, B, E, F	C	D

## $n_1 = 1400 \text{ perm}$

GKS07-3N □□□ □E	1E	1E	2E	3E	4E	11.378	6.60	486	123	T4	T3	T4
	100	112	90	80	90	17.270	6.60	738	81	T4	T3	T4
	160	160	160	160	200	25.244	6.60	1079	56	T4	T3	T4
						28.274	6.56	1202	50	T4	T3	T4
						31.858	5.68	1172	44	T4	T3	T4
						36.063	5.52	1290	39	T4	T4	T4
						44.178	4.54	1300	32	T4	T4	T4
						50.345	3.99	1300	28	T4	T3	T4
						57.501	3.52	1310	24	T4	T4	T4
						64.790	2.85	1195	22	T4	T4	T4
						70.474	2.89	1320	20	T4	T4	T4
						79.407	2.34	1205	18	T4	T4	T4
						92.563	2.22	1330	15	T4	T4	T4
						104.296	1.80	1215	13	T4	T4	T4
						112.338	1.83	1330	13	T4	T4	T4
						126.578	1.48	1215	11	T4	T4	T4
						140.548	1.46	1330	10.0	T4	T4	T4
						158.364	1.18	1215	8.8	T4	T4	T4
						184.600	1.11	1330	7.6	T4	T4	T4
						208.000	0.90	1215	6.7	T4	T4	T4
					224.037	0.92	1330	6.3	T4	T4	T4	
					252.436	0.74	1215	5.6	T4	T4	T4	
GKS07-3N □□□ □F	1F	1F	2F	3F		5.955	6.60	255	235	T3	T3	T3
	100	112	90	90		8.254	6.60	353	170	T3	T3	T3
	160	160	160	200		9.171	6.60	392	153	T3	T3	T3
						10.124	6.60	433	138	T3	T3	T3
						11.378	6.60	486	123	T4	T3	T4
						12.711	6.60	543	110	T3	T3	T3
						14.798	6.60	633	95	T3	T3	T3
						16.674	6.60	713	84	T3	T3	T3
						17.270	6.60	738	81	T4	T3	T4
						20.511	6.60	877	68	T3	T3	T3
						23.111	6.60	988	61	T3	T3	T3
						25.244	6.60	1079	56	T4	T3	T4
						28.274	6.56	1202	50	T4	T3	T4
						31.858	5.68	1172	44	T4	T3	T4
						36.063	5.52	1290	39	T4	T4	T4
						40.906	4.87	1290	34	T3	T3	T3
						44.178	4.54	1300	32	T4	T4	T4
						50.345	3.99	1300	28	T4	T3	T4
						57.501	3.52	1310	24	T4	T4	T4
						64.790	2.85	1195	22	T4	T4	T4
					70.474	2.89	1320	20	T4	T4	T4	
					79.407	2.34	1205	18	T4	T4	T4	
					140.548	1.46	1330	10.0	T4	T4	T4	
					158.364	1.18	1215	8.8	T4	T4	T4	
GKS07-3N □□□ □G	1G	2G	2G	3G		5.955	9.99	386	235	T3	T3	T3
	132	100	112	132		8.254	8.28	443	170	T3	T3	T3
	300	250	250	250		9.171	9.99	594	153	T3	T3	T3
						10.124	9.99	656	138	T3	T3	T3
						11.378	6.82	503	123	T4	T3	T4
						12.711	8.28	682	110	T3	T3	T3
						14.798	10.04	963	95	T3	T3	T3
						16.674	9.91	1071	84	T3	T3	T3
						17.270	7.31	818	81	T4	T3	T4
						20.511	8.27	1099	68	T3	T3	T3
						23.111	7.80	1168	61	T3	T3	T3
						25.244	7.20	1177	56	T4	T3	T4
						28.274	6.56	1202	50	T4	T3	T4

For dimensions, see page 6-86 onwards.

# Helical-bevel gearbox selection table

Gearboxes with mounting flange for Atex category 2GD, 3GD (zone 1, 21, 2, 22)

$M_2 \text{ perm} \leq 1330 \text{ Nm}$				GKS07-3N □□□							
Gearbox with	Mounting flange size			i	$P_1 \text{ perm}$	$M_2 \text{ perm}$	$n_2$	Temperature class			
	Motor frame size	Flange diameter						T3 (G) $\cong$ 190 °C (D) T4 (G) $\cong$ 125 °C (D)			
					[kW]	[Nm]	[perm]	Mounting position			
								A, B, E, F	C	D	
<b><math>n_1 = 1400 \text{ perm}</math></b>											
GKS07-3N □□□	□G				31.858	5.68	1172	44	T4	T3	T4
	<b>1G</b>	2G	2G	3G	36.063	5.52	1290	39	T4	T3	T4
	<b>132</b>	100	112	132	40.906	4.87	1290	34	T3	T3	T3
	<b>300</b>	250	250	250	44.178	4.54	1300	32	T4	T4	T4
					50.345	3.99	1300	28	T4	T3	T4
GKS07-3N □□□	□H				5.955	9.99	386	235	T3	T3	T3
	<b>1H</b>	3H			8.254	8.28	443	170	T3	T3	T3
	<b>160</b>	132			9.171	9.99	594	153	T3	T3	T3
	<b>350</b>	300			10.124	9.99	656	138	T3	T3	T3
					11.378	6.82	503	123	T3	T3	T3
					12.711	8.28	682	110	T3	T3	T3
					14.798	10.04	963	95	T3	T3	T3
					16.674	9.91	1071	84	T3	T3	T3
					17.270	7.31	818	81	T3	T3	T3
					20.511	8.27	1099	68	T3	T3	T3
					23.111	7.80	1168	61	T3	T3	T3
					25.244	7.20	1177	56	T3	T3	T3
					28.274	6.56	1202	50	T3	T3	T3
					31.858	5.68	1172	44	T3	T3	T3
					40.906	4.87	1290	34	T3	T3	T3
					50.345	3.99	1300	28	T3	T3	T3
<b><math>n_1 = 700 \text{ perm}</math></b>											
GKS07-3N □□□	□C				92.563	0.67	802	7.6	T4	T4	T4
	<b>1C</b>	2C	3C	4C	104.296	0.67	904	6.7	T4	T4	T4
	<b>80</b>	71	71	71	112.338	0.56	813	6.2	T4	T4	T4
	<b>160</b>	160	105	120	126.578	0.56	916	5.5	T4	T4	T4
					184.600	0.56	1330	3.8	T4	T4	T4
					208.000	0.45	1215	3.4	T4	T4	T4
					224.037	0.46	1330	3.1	T4	T4	T4
					252.436	0.37	1215	2.8	T4	T4	T4
					283.193	0.36	1330	2.5	T4	T4	T4
					319.091	0.29	1215	2.2	T4	T4	T4
	GKS07-3N □□□	□D				36.063	1.54	719	19	T4	T4
<b>1D</b>		2D			57.501	1.34	998	12	T4	T4	T4
<b>90</b>		80			64.790	1.34	1125	11	T4	T4	T4
<b>160</b>		160			70.474	1.15	1048	9.9	T4	T4	T4
					79.407	1.15	1181	8.8	T4	T4	T4
					92.563	0.90	1079	7.6	T4	T4	T4
					104.296	0.90	1215	6.7	T4	T4	T4
					112.338	0.75	1093	6.2	T4	T4	T4
					126.578	0.74	1215	5.5	T4	T4	T4
					140.548	0.73	1330	5.0	T4	T4	T4
					158.364	0.59	1215	4.4	T4	T4	T4
					184.600	0.56	1330	3.8	T4	T4	T4
					208.000	0.45	1215	3.4	T4	T4	T4
					224.037	0.46	1330	3.1	T4	T4	T4
					252.436	0.37	1215	2.8	T4	T4	T4
					283.193	0.36	1330	2.5	T4	T4	T4
				319.091	0.29	1215	2.2	T4	T4	T4	
GKS07-3N □□□	□E				11.378	3.41	503	62	T4	T4	T4
	<b>1E</b>	<b>1E</b>	2E	3E	17.270	3.66	818	41	T4	T4	T4
	<b>100</b>	<b>112</b>	90	80	25.244	3.60	1177	28	T4	T4	T4
	<b>160</b>	<b>160</b>	160	160	28.274	3.28	1202	25	T4	T4	T4
					31.858	2.84	1172	22	T4	T4	T4
					36.063	2.76	1290	19	T4	T4	T4
				44.178	2.27	1300	16	T4	T4	T4	

For dimensions, see page 6-86 onwards.

# Helical-bevel gearbox selection table

Gearboxes with mounting flange for Atex category 2GD, 3GD (zone 1, 21, 2, 22)

$M_2 \text{ perm} \leq 1330 \text{ Nm}$					GKS07-3N □□□						
Gearbox with	Mounting flange size				i	$P_{1 \text{ perm}}$	$M_2 \text{ perm}$	$n_2$	Temperature class		
	Motor frame size	Flange diameter		T3 (G) $\cong$ 190 °C (D) T4 (G) $\cong$ 125 °C (D)							
								Mounting position			
						[kW]	[Nm]	[perm]	A, B, E, F	C	D
<b><math>n_1 = 700 \text{ perm}</math></b>											
GKS07-3N □□□	□E				50.345	1.99	1300	14	T4	T4	T4
	1E	2E	3E	4E	57.501	1.76	1310	12	T4	T4	T4
	100	112	90	90	64.790	1.42	1195	11	T4	T4	T4
	160	160	160	200	70.474	1.45	1320	9.9	T4	T4	T4
					79.407	1.17	1205	8.8	T4	T4	T4
					92.563	1.11	1330	7.6	T4	T4	T4
					104.296	0.90	1215	6.7	T4	T4	T4
					112.338	0.91	1330	6.2	T4	T4	T4
					126.578	0.74	1215	5.5	T4	T4	T4
					140.548	0.73	1330	5.0	T4	T4	T4
					158.364	0.59	1215	4.4	T4	T4	T4
					184.600	0.56	1330	3.8	T4	T4	T4
					208.000	0.45	1215	3.4	T4	T4	T4
					224.037	0.46	1330	3.1	T4	T4	T4
					252.436	0.37	1215	2.8	T4	T4	T4
GKS07-3N □□□	□F				5.955	4.40	339	118	T4	T4	T4
	1F	2F	3F		8.254	4.14	443	85	T4	T4	T4
	100	112	90	90	9.171	4.40	523	76	T4	T4	T4
	160	160	160	200	10.124	4.40	577	69	T4	T4	T4
					11.378	3.41	503	62	T4	T4	T4
					12.711	4.14	682	55	T4	T4	T4
					14.798	4.40	843	47	T4	T4	T4
					16.674	4.40	950	42	T4	T4	T4
					17.270	3.66	818	41	T4	T4	T4
					20.511	4.13	1099	34	T4	T4	T4
					23.111	3.90	1168	30	T4	T4	T4
					25.244	3.60	1177	28	T4	T4	T4
					28.274	3.28	1202	25	T4	T4	T4
					31.858	2.84	1172	22	T4	T4	T4
					36.063	2.76	1290	19	T4	T4	T4
					40.906	2.43	1290	17	T4	T4	T4
					44.178	2.27	1300	16	T4	T4	T4
					50.345	1.99	1300	14	T4	T4	T4
					57.501	1.76	1310	12	T4	T4	T4
					64.790	1.42	1195	11	T4	T4	T4
					70.474	1.45	1320	9.9	T4	T4	T4
					79.407	1.17	1205	8.8	T4	T4	T4
					140.548	0.73	1330	5.0	T4	T4	T4
					158.364	0.59	1215	4.4	T4	T4	T4
GKS07-3N □□□	□G				5.955	5.00	386	118	T4	T4	T4
	1G	2G	3G		8.254	4.14	443	85	T4	T4	T4
	132	100	132		9.171	5.00	594	76	T4	T4	T4
	300	250	250	250	10.124	5.00	656	69	T4	T4	T4
					11.378	3.41	503	62	T4	T4	T4
					12.711	4.14	682	55	T4	T4	T4
					14.798	5.02	963	47	T4	T4	T4
					16.674	4.96	1071	42	T4	T4	T4
					17.270	3.66	818	41	T4	T4	T4
					20.511	4.13	1099	34	T4	T4	T4
					23.111	3.90	1168	30	T4	T4	T4
					25.244	3.60	1177	28	T4	T4	T4
					28.274	3.28	1202	25	T4	T4	T4
					31.858	2.84	1172	22	T4	T4	T4
					36.063	2.76	1290	19	T4	T4	T4
					40.906	2.43	1290	17	T4	T4	T4
					44.178	2.27	1300	16	T4	T4	T4
					50.345	1.99	1300	14	T4	T4	T4

For dimensions, see page 6-86 onwards.

# Helical-bevel gearbox selection table

Gearboxes with mounting flange for Atex category 2GD, 3GD (zone 1, 21, 2, 22)

$M_2 \text{ perm} \leq 1330 \text{ Nm}$		GKS07-3N □□□				
Gearbox with	Mounting flange size Motor frame size Flange diameter	i	$P_{1 \text{ perm}}$	$M_2 \text{ perm}$	$n_2$	Temperature class
			[kW]	[Nm]	[perm]	T3 (G) $\cong$ 190 °C (D) T4 (G) $\cong$ 125 °C (D)
						Mounting position
						A, B, C D E, F

## $n_1 = 700 \text{ perm}$

GKS07-3N □□□	□H								
	1H	3H	5.955	5.00	386	118	T4	T3	T4
	160	132	8.254	4.14	443	85	T4	T3	T4
	350	300	9.171	5.00	594	76	T4	T3	T4
			10.124	5.00	656	69	T4	T3	T4
			11.378	3.41	503	62	T4	T3	T4
			12.711	4.14	682	55	T4	T3	T4
			14.798	5.02	963	47	T4	T3	T4
			16.674	4.96	1071	42	T4	T3	T4
			17.270	3.66	818	41	T4	T3	T4
			20.511	4.13	1099	34	T4	T3	T4
			23.111	3.90	1168	30	T4	T3	T4
			25.244	3.60	1177	28	T4	T3	T4
			28.274	3.28	1202	25	T4	T3	T4
			31.858	2.84	1172	22	T4	T3	T4
			40.906	2.43	1290	17	T4	T3	T4
			50.345	1.99	1300	14	T4	T3	T4

For dimensions, see page 6-86 onwards.

# Helical-bevel gearbox selection table

Gearboxes with mounting flange for Atex category 2GD, 3GD (zone 1, 21, 2, 22)

$M_2 \text{ perm} \leq 1330 \text{ Nm}$		GKS07-4N □□□					
Gearbox with Mounting flange size Motor frame size Flange diameter	i	$P_1 \text{ perm}$ [kW]	$M_2 \text{ perm}$ [Nm]	$n_2$ [perm]	Temperature class		
					T3 (G) $\cong$ 190 °C (D) T4 (G) $\cong$ 125 °C (D)		
					Mounting position		
					A, B, E, F	C	D
<b><math>n_1 = 1400 \text{ perm}</math></b>							
GKS07-4N □□□ <b>1B</b> <b>71</b> <b>105</b>	103.039	1.22	798	14	T4	T4	T4
	112.391	1.22	870	13	T4	T4	T4
	126.222	1.22	977	11	T4	T4	T4
	137.748	1.20	1053	10	T4	T4	T4
	179.201	0.84	958	7.8	T4	T4	T4
	222.909	0.70	997	6.3	T4	T4	T4
	273.199	0.61	1053	5.1	T4	T4	T4
	321.049	0.65	1320	4.4	T4	T4	T4
	358.829	0.46	1053	3.9	T4	T4	T4
	399.353	0.52	1320	3.5	T4	T4	T4
	464.367	0.36	1053	3.0	T4	T4	T4
	516.810	0.40	1320	2.7	T4	T4	T4
	563.572	0.29	1053	2.5	T4	T4	T4
	636.581	0.33	1330	2.2	T4	T4	T4
	683.972	0.24	1053	2.1	T4	T4	T4
	823.810	0.25	1330	1.7	T4	T4	T4
	928.237	0.21	1215	1.5	T4	T4	T4
	999.806	0.21	1330	1.4	T4	T4	T4
	1126.542	0.17	1215	1.2	T4	T4	T4
	1277.842	0.16	1330	1.1	T4	T4	T4
1439.822	0.13	1215	1.0	T4	T4	T4	
GKS07-4N □□□ □C <b>1C</b> 2C 3C 4C 6C 7C <b>80</b> 71 71 71 63 80 <b>160</b> 160 105 120 160 120	103.039	1.87	1227	14	T4	T4	T4
	112.391	1.47	1053	13	T4	T4	T4
	126.222	1.62	1300	11	T4	T4	T4
	137.748	1.20	1053	10	T4	T4	T4
	154.622	1.32	1300	9.1	T4	T4	T4
	179.201	0.92	1053	7.8	T4	T4	T4
	201.254	1.02	1310	7.0	T4	T4	T4
	222.909	0.74	1053	6.3	T4	T4	T4
	246.659	0.84	1320	5.7	T4	T4	T4
	273.199	0.61	1053	5.1	T4	T4	T4
	321.049	0.65	1320	4.4	T4	T4	T4
	358.829	0.46	1053	3.9	T4	T4	T4
	399.353	0.52	1320	3.5	T4	T4	T4
	464.367	0.36	1053	3.0	T4	T4	T4
	516.810	0.40	1320	2.7	T4	T4	T4
	563.572	0.29	1053	2.5	T4	T4	T4
	636.581	0.33	1330	2.2	T4	T4	T4
	683.972	0.24	1053	2.1	T4	T4	T4
	823.810	0.25	1330	1.7	T4	T4	T4
	928.237	0.21	1215	1.5	T4	T4	T4
999.806	0.21	1330	1.4	T4	T4	T4	
1126.542	0.17	1215	1.2	T4	T4	T4	
GKS07-4N □□□ □D <b>1D</b> 2D <b>90</b> 80 <b>160</b> 160	103.039	1.97	1290	14	T4	T4	T4
	112.391	1.47	1053	13	T4	T4	T4
	126.222	1.62	1300	11	T4	T4	T4
	137.748	1.20	1053	10	T4	T4	T4
	154.622	1.32	1300	9.1	T4	T4	T4
	179.201	0.92	1053	7.8	T4	T4	T4
	201.254	1.02	1310	7.0	T4	T4	T4
	222.909	0.74	1053	6.3	T4	T4	T4
	246.659	0.84	1320	5.7	T4	T4	T4
	273.199	0.61	1053	5.1	T4	T4	T4
	321.049	0.65	1320	4.4	T4	T4	T4
	358.829	0.46	1053	3.9	T4	T4	T4
	399.353	0.52	1320	3.5	T4	T4	T4
	636.581	0.33	1330	2.2	T4	T4	T4

For dimensions, see page 6-86 onwards.



# Helical-bevel gearbox selection table

Gearboxes with mounting flange for Atex category 2GD, 3GD (zone 1, 21, 2, 22)

$M_2 \text{ perm} \leq 1330 \text{ Nm}$						GKS07-4N □□□						
Gearbox with	Mounting flange size					i	$P_1 \text{ perm}$	$M_2 \text{ perm}$	$n_2$	Temperature class		
	Motor frame size	Flange diameter								T3 (G) $\cong$ 190 °C (D) T4 (G) $\cong$ 125 °C (D)		
									Mounting position			
							[kW]	[Nm]	[perm]	A, B, E, F	C	D
<b><math>n_1 = 1400 \text{ perm}</math></b>												
GKS07-4N □□□	□E					103.039	1.97	1290	14	T4	T4	T4
	1E	2E	3E	4E		112.391	1.47	1053	13	T4	T4	T4
	100	112	90	80	90	126.222	1.62	1300	11	T4	T4	T4
	160	160	160	160	200	137.748	1.20	1053	10	T4	T4	T4
						154.622	1.32	1300	9.1	T4	T4	T4
						201.254	1.02	1310	7.0	T4	T4	T4
						246.659	0.84	1320	5.7	T4	T4	T4
<b><math>n_1 = 700 \text{ perm}</math></b>												
GKS07-4N □□□	1B					103.039	0.61	798	6.8	T4	T4	T4
	71					112.391	0.61	870	6.2	T4	T4	T4
	105					126.222	0.61	977	5.6	T4	T4	T4
						137.748	0.60	1053	5.1	T4	T4	T4
						179.201	0.42	958	3.9	T4	T4	T4
						222.909	0.35	997	3.1	T4	T4	T4
						273.199	0.30	1053	2.6	T4	T4	T4
						321.049	0.32	1320	2.2	T4	T4	T4
						358.829	0.23	1053	2.0	T4	T4	T4
						399.353	0.26	1320	1.8	T4	T4	T4
						464.367	0.18	1053	1.5	T4	T4	T4
						516.810	0.20	1320	1.4	T4	T4	T4
						563.572	0.15	1053	1.2	T4	T4	T4
						636.581	0.16	1330	1.1	T4	T4	T4
						683.972	0.12	1053	1.0	T4	T4	T4
						823.810	0.13	1330	0.9	T4	T4	T4
						928.237	0.10	1215	0.8	T4	T4	T4
						999.806	0.10	1330	0.7	T4	T4	T4
						1126.542	0.08	1215	0.6	T4	T4	T4
						1277.842	0.08	1330	0.6	T4	T4	T4
						1439.822	0.07	1215	0.5	T4	T4	T4
GKS07-4N □□□	□C					103.039	0.95	1253	6.8	T4	T4	T4
	1C	2C	3C	4C	6C	7C	112.391	0.74	1053	6.2	T4	T4
	80	71	71	71	63	80	126.222	0.81	1300	5.6	T4	T4
	160	160	105	120	160	120	137.748	0.60	1053	5.1	T4	T4
							154.622	0.66	1300	4.5	T4	T4
							179.201	0.46	1053	3.9	T4	T4
							201.254	0.51	1310	3.5	T4	T4
							222.909	0.37	1053	3.1	T4	T4
							246.659	0.42	1320	2.8	T4	T4
							273.199	0.30	1053	2.6	T4	T4
							321.049	0.32	1320	2.2	T4	T4
							358.829	0.23	1053	2.0	T4	T4
							399.353	0.26	1320	1.8	T4	T4
							464.367	0.18	1053	1.5	T4	T4
							516.810	0.20	1320	1.4	T4	T4
							563.572	0.15	1053	1.2	T4	T4
							636.581	0.16	1330	1.1	T4	T4
							683.972	0.12	1053	1.0	T4	T4
							823.810	0.13	1330	0.9	T4	T4
							928.237	0.10	1215	0.8	T4	T4
							999.806	0.10	1330	0.7	T4	T4
							1126.542	0.08	1215	0.6	T4	T4
GKS07-4N □□□	□D						103.039	0.98	1290	6.8	T4	T4
	1D	2D					112.391	0.74	1053	6.2	T4	T4
	90	80					126.222	0.81	1300	5.6	T4	T4
	160	160					137.748	0.60	1053	5.1	T4	T4
							154.622	0.66	1300	4.5	T4	T4

For dimensions, see page 6-86 onwards.

# Helical-bevel gearbox selection table

Gearboxes with mounting flange for Atex category 2GD, 3GD (zone 1, 21, 2, 22)

$M_2 \text{ perm} \leq 1330 \text{ Nm}$		GKS07-4N □□□						
Gearbox with	Mounting flange size Motor frame size Flange diameter	i	$P_1 \text{ perm}$ [kW]	$M_2 \text{ perm}$ [Nm]	$n_2$ [perm]	Temperature class		
						T3 (G) $\cong$ 190 °C (D) T4 (G) $\cong$ 125 °C (D)		
						Mounting position		
						A, B, E, F	C	D
<b><math>n_1 = 700 \text{ perm}</math></b>								
GKS07-4N □□□	□D	179.201	0.46	1053	3.9	T4	T4	T4
	1D 2D	201.254	0.51	1310	3.5	T4	T4	T4
	90 80	222.909	0.37	1053	3.1	T4	T4	T4
	160 160	246.659	0.42	1320	2.8	T4	T4	T4
		273.199	0.30	1053	2.6	T4	T4	T4
		321.049	0.32	1320	2.2	T4	T4	T4
		358.829	0.23	1053	2.0	T4	T4	T4
		399.353	0.26	1320	1.8	T4	T4	T4
		636.581	0.16	1330	1.1	T4	T4	T4
GKS07-4N □□□	□E	103.039	0.98	1290	6.8	T4	T4	T4
	1E 1E 2E 3E 4E	112.391	0.74	1053	6.2	T4	T4	T4
	100 112 90 80 90	126.222	0.81	1300	5.6	T4	T4	T4
	160 160 160 160 200	137.748	0.60	1053	5.1	T4	T4	T4
		154.622	0.66	1300	4.5	T4	T4	T4
		201.254	0.51	1310	3.5	T4	T4	T4
		246.659	0.42	1320	2.8	T4	T4	T4

For dimensions, see page 6-86 onwards.

# Helical-bevel gearbox selection table

Gearboxes with mounting flange for Atex category 2GD, 3GD (zone 1, 21, 2, 22)

$M_2 \text{ perm} \leq 3080 \text{ Nm}$				GKS09-3N □□□							
Gearbox with	Mounting flange size			i	$P_1 \text{ perm}$	$M_2 \text{ perm}$	$n_2$	Temperature class			
	Motor frame size	Flange diameter						T3 (G) $\cong$ 190 °C (D) T4 (G) $\cong$ 125 °C (D)			
								Mounting position			
					[kW]	[Nm]	[perm]	A, B, E, F	C	D	
<b><math>n_1 = 2800 \text{ perm}</math></b>											
GKS09-3N □□□ □D	1D	2D		91.860	4.26	1268	31	T3	T3	-	
	90	80		103.524	4.26	1429	27	T3	T3	-	
	160	160		111.484	3.87	1397	25	T4	T3	-	
				125.641	3.87	1574	22	T4	T3	-	
				140.921	3.10	1416	20	T4	T4	-	
				158.816	3.10	1595	18	T4	T4	-	
				182.000	4.62	2723	15	T3	T3	-	
				205.111	4.62	3069	14	T3	T3	-	
				220.882	3.87	2767	13	T4	T3	-	
				248.930	3.82	3080	11	T4	T3	-	
				279.205	3.10	2805	10	T4	T4	-	
				314.659	3.02	3080	8.9	T4	T4	-	
	GKS09-3N □□□ □E	1E	1E	2E 3E 4E	35.193	10.72	1222	80	T3	T3	-
		100	112	90 80 90	39.662	10.72	1377	71	T3	T3	-
160		160	160 160 200	58.456	10.55	1998	48	T3	T3	-	
				65.879	10.55	2252	43	T3	T3	-	
				70.982	9.06	2082	39	T3	T3	-	
				79.996	9.06	2347	35	T3	T3	-	
				91.860	7.27	2164	31	T3	T3	-	
				103.524	7.27	2439	27	T3	T3	-	
				111.484	6.58	2377	25	T4	T3	-	
				125.641	6.58	2679	22	T4	T3	-	
				140.921	5.27	2408	20	T4	T3	-	
				158.816	5.27	2714	18	T4	T3	-	
				182.000	5.14	3031	15	T3	T3	-	
				205.111	4.64	3080	14	T3	T3	-	
				220.882	4.24	3031	13	T4	T3	-	
				248.930	3.82	3080	11	T4	T3	-	
GKS09-3N □□□ □F		1F	1F	2F 3F	29.228	10.72	1015	96	T3	-	-
	100	112	90 90	32.940	10.72	1143	85	T3	-	-	
	160	160	160 200	35.193	10.72	1222	80	T3	-	-	
				39.662	10.72	1377	71	T3	-	-	
				43.146	12.17	1702	65	T3	-	-	
				48.625	12.17	1918	58	T3	-	-	
				58.456	11.27	2135	48	T3	-	-	
				65.879	11.27	2406	43	T3	-	-	
				70.982	9.67	2223	39	T3	-	-	
				79.996	9.67	2505	35	T3	-	-	
				91.860	7.76	2309	31	T3	-	-	
				103.524	7.76	2602	27	T3	-	-	
				111.484	7.02	2534	25	T4	-	-	
				125.641	7.02	2856	22	T4	-	-	
				182.000	5.14	3031	15	T3	-	-	
				205.111	4.64	3080	14	T3	-	-	
				220.882	4.24	3031	13	T4	-	-	
			248.930	3.82	3080	11	T4	-	-		
GKS09-3N □□□ □G	1G	2G 2G 3G		29.228	21.18	2006	96	T3	-	-	
	132	100 112 132		32.940	19.08	2037	85	T3	-	-	
	300	250 250 250		35.193	18.60	2121	80	T3	-	-	
				39.662	16.64	2139	71	T3	-	-	
				43.146	18.31	2560	65	T3	-	-	
				48.625	16.52	2602	58	T3	-	-	
				58.456	14.77	2797	48	T3	-	-	
				65.879	13.18	2813	43	T3	-	-	
				70.982	12.16	2797	39	T3	-	-	
				79.996	10.93	2834	35	T3	-	-	

For dimensions, see page 6-86 onwards.

# Helical-bevel gearbox selection table

Gearboxes with mounting flange for Atex category 2GD, 3GD (zone 1, 21, 2, 22)

$M_2 \text{ perm} \leq 3080 \text{ Nm}$		GKS09-3N □□□					
Gearbox with Mounting flange size Motor frame size Flange diameter	i	$P_1 \text{ perm}$ [kW]	$M_2 \text{ perm}$ [Nm]	$n_2$ [perm]	Temperature class T3 (G) $\cong$ 190 °C (D) T4 (G) $\cong$ 125 °C (D)		
					Mounting position A, B, C, D E, F		

## $n_1 = 1400 \text{ perm}$

GKS09-3N □□□ □D 1D 2D 90 80 160 160	91.860	2.31	1374	15	T4	T4	T4	
	103.524	2.31	1549	14	T4	T4	T4	
	111.484	1.93	1397	13	T4	T4	T4	
	125.641	1.93	1574	11	T4	T4	T4	
	140.921	1.55	1416	9.9	T4	T4	T4	
	158.816	1.55	1595	8.8	T4	T4	T4	
	182.000	2.31	2723	7.7	T4	T4	T4	
	205.111	2.31	3069	6.8	T4	T4	T4	
	220.882	1.93	2767	6.3	T4	T4	T4	
	248.930	1.91	3080	5.6	T4	T4	T4	
	279.205	1.55	2805	5.0	T4	T4	T4	
	314.659	1.51	3080	4.5	T4	T4	T4	
	GKS09-3N □□□ □E 1E 1E 2E 3E 4E 100 112 90 80 90 160 160 160 160 200	35.193	6.60	1504	40	T4	T3	T4
		39.662	6.60	1695	35	T4	T3	T4
58.456		5.72	2166	24	T4	T4	T4	
65.879		5.72	2441	21	T4	T4	T4	
70.982		4.91	2257	20	T4	T4	T4	
79.996		4.91	2543	18	T4	T4	T4	
91.860		3.94	2345	15	T4	T4	T4	
103.524		3.94	2643	14	T4	T4	T4	
111.484		3.29	2377	13	T4	T4	T4	
125.641		3.29	2679	11	T4	T4	T4	
140.921		2.64	2408	9.9	T4	T4	T4	
158.816		2.64	2714	8.8	T4	T4	T4	
182.000		2.57	3031	7.7	T4	T4	T4	
205.111		2.32	3080	6.8	T4	T4	T4	
220.882		2.12	3031	6.3	T4	T4	T4	
248.930		1.91	3080	5.6	T4	T4	T4	
279.205		1.68	3031	5.0	T4	T4	T4	
314.659		1.51	3080	4.5	T4	T4	T4	
GKS09-3N □□□ □F 1F 1F 2F 3F 100 112 90 90 160 160 160 200		16.122	6.60	689	87	T3	T3	T3
	17.536	6.60	750	80	T3	T3	T3	
	25.649	6.60	1096	55	T3	T3	T3	
	29.228	6.60	1249	48	T3	T3	T3	
	32.940	6.60	1408	43	T3	T3	T3	
	35.193	6.60	1504	40	T4	T3	T4	
	39.662	6.60	1695	35	T4	T3	T4	
	43.146	6.60	1844	32	T4	T4	T4	
	48.625	6.60	2078	29	T4	T4	T4	
	58.456	6.11	2314	24	T4	T4	T4	
	65.879	6.11	2608	21	T4	T4	T4	
	70.982	5.24	2409	20	T4	T4	T4	
	79.996	5.24	2715	18	T4	T4	T4	
	91.860	4.20	2502	15	T4	T4	T4	
	103.524	4.20	2820	14	T4	T4	T4	
	111.484	3.51	2534	13	T4	T4	T4	
	125.641	3.51	2856	11	T4	T4	T4	
	182.000	2.57	3031	7.7	T4	T4	T4	
	205.111	2.32	3080	6.8	T4	T4	T4	
	220.882	2.12	3031	6.3	T4	T4	T4	
	248.930	1.91	3080	5.6	T4	T4	T4	
	GKS09-3N □□□ □G 1G 2G 2G 3G 132 100 112 132 300 250 250 250	12.283	16.91	1346	114	T3	T3	T3
		13.360	16.91	1464	105	T3	T3	T3
16.122		14.36	1500	87	T3	T3	T3	
17.536		14.36	1632	80	T3	T3	T3	
19.541		16.91	2141	72	T3	T3	T3	
22.022		15.60	2226	64	T3	T3	T3	
25.649		14.35	2385	55	T3	T3	T3	
29.228		13.04	2469	48	T3	T3	T3	
32.940		11.75	2508	43	T3	T3	T3	
35.193		11.45	2611	40	T4	T3	T4	

For dimensions, see page 6-86 onwards.

# Helical-bevel gearbox selection table

Gearboxes with mounting flange for Atex category 2GD, 3GD (zone 1, 21, 2, 22)

$M_2 \text{ perm} \leq 3080 \text{ Nm}$				GKS09-3N □□□								
Gearbox with	Mounting flange size			i	$P_{1 \text{ perm}}$	$M_2 \text{ perm}$	$n_2$	Temperature class				
	Motor frame size	Flange diameter						T3 (G) $\cong$ 190 °C (D) T4 (G) $\cong$ 125 °C (D)				
					[kW]	[Nm]	[perm]	Mounting position				
								A, B, E, F	C	D		
<b><math>n_1 = 1400 \text{ perm}</math></b>												
GKS09-3N □□□ □G	1G	2G	2G	3G	39.662	10.25	2633	35	T4	T3	T4	
	132	100	112	132	43.146	9.92	2774	32	T4	T3	T4	
	300	250	250	250	48.625	8.95	2820	29	T4	T3	T4	
					58.456	8.00	3031	24	T4	T4	T4	
					65.879	7.14	3048	21	T4	T4	T4	
					70.982	6.59	3031	20	T4	T4	T4	
					79.996	5.92	3071	18	T4	T4	T4	
					12.283	16.91	1346	114	T3	T3	T3	
					13.360	16.91	1464	105	T3	T3	T3	
					16.122	14.36	1500	87	T3	T3	T3	
GKS09-3N □□□ □H	1H	2H	3H		17.536	14.36	1632	80	T3	T3	T3	
	160	180	132		19.541	16.91	2141	72	T3	T3	T3	
	350	350	300		22.022	15.60	2226	64	T3	T3	T3	
					25.649	14.35	2385	55	T3	T3	T3	
					29.228	13.04	2469	48	T3	T3	T3	
					32.940	11.75	2508	43	T3	T3	T3	
					35.193	11.45	2611	40	T3	T3	T3	
					39.662	10.25	2633	35	T3	T3	T3	
					43.146	9.92	2774	32	T4	T3	T4	
					48.625	8.95	2820	29	T4	T3	T4	
GKS09-3N □□□ 1K	200				12.283	16.91	1346	114	T3	T3	T3	
	400				13.360	16.91	1464	105	T3	T3	T3	
					16.122	14.36	1500	87	T3	T3	T3	
					17.536	14.36	1632	80	T3	T3	T3	
					19.541	16.91	2141	72	T3	T3	T3	
					22.022	15.60	2226	64	T3	T3	T3	
					25.649	14.35	2385	55	T3	T3	T3	
					91.860	1.16	1378	7.6	T4	T4	T4	
					103.524	1.16	1552	6.8	T4	T4	T4	
					111.484	0.97	1397	6.3	T4	T4	T4	
GKS09-3N □□□ □D	1D	2D			125.641	0.97	1574	5.6	T4	T4	T4	
	90	80			140.921	0.78	1416	5.0	T4	T4	T4	
	160	160			158.816	0.78	1595	4.4	T4	T4	T4	
					182.000	1.16	2729	3.9	T4	T4	T4	
					205.111	1.16	3076	3.4	T4	T4	T4	
					220.882	0.97	2767	3.2	T4	T4	T4	
					248.930	0.95	3080	2.8	T4	T4	T4	
					279.205	0.78	2805	2.5	T4	T4	T4	
					314.659	0.76	3080	2.2	T4	T4	T4	
	GKS09-3N □□□ □E	1E	1E	2E	3E	4E	35.193	4.23	1928	20	T4	T4
100		112	90	80	90	39.662	4.23	2173	18	T4	T4	T4
160		160	160	160	200	58.456	2.86	2166	12	T4	T4	T4
						65.879	2.86	2441	11	T4	T4	T4
						70.982	2.45	2257	9.9	T4	T4	T4
						79.996	2.45	2543	8.8	T4	T4	T4
						91.860	1.97	2345	7.6	T4	T4	T4
						103.524	1.97	2643	6.8	T4	T4	T4
						111.484	1.65	2377	6.3	T4	T4	T4
						125.641	1.65	2679	5.6	T4	T4	T4
						140.921	1.32	2408	5.0	T4	T4	T4
						158.816	1.32	2714	4.4	T4	T4	T4
						182.000	1.29	3031	3.9	T4	T4	T4
						205.111	1.16	3080	3.4	T4	T4	T4
						220.882	1.06	3031	3.2	T4	T4	T4
						248.930	0.95	3080	2.8	T4	T4	T4
						279.205	0.84	3031	2.5	T4	T4	T4
						314.659	0.76	3080	2.2	T4	T4	T4

For dimensions, see page 6-86 onwards.

# Helical-bevel gearbox selection table

Gearboxes with mounting flange for Atex category 2GD, 3GD (zone 1, 21, 2, 22)

$M_2 \text{ perm} \leq 3080 \text{ Nm}$				GKS09-3N □□□						
Gearbox with	Mounting flange size			i	$P_1 \text{ perm}$	$M_2 \text{ perm}$	$n_2$	Temperature class		
	Motor frame size	Flange diameter						T3 (G) $\cong$ 190 °C (D) T4 (G) $\cong$ 125 °C (D)		
								Mounting position		
					[kW]	[Nm]	[perm]	A, B, E, F	C	D

## $n_1 = 700 \text{ perm}$

GKS09-3N □□□ □F	1F	2F	3F	16.122	4.40	919	43	T4	T4	T4
	100	112	90	17.536	4.40	999	40	T4	T4	T4
	160	160	160	25.649	4.40	1462	27	T4	T4	T4
				29.228	4.40	1666	24	T4	T4	T4
				32.940	4.40	1877	21	T4	T4	T4
				35.193	4.40	2006	20	T4	T4	T4
				39.662	4.40	2260	18	T4	T4	T4
				43.146	3.90	2179	16	T4	T4	T4
				48.625	3.90	2456	14	T4	T4	T4
				58.456	3.05	2314	12	T4	T4	T4
				65.879	3.05	2608	11	T4	T4	T4
				70.982	2.62	2409	9.9	T4	T4	T4
				79.996	2.62	2715	8.8	T4	T4	T4
				91.860	2.10	2502	7.6	T4	T4	T4
				103.524	2.10	2820	6.8	T4	T4	T4
				111.484	1.75	2534	6.3	T4	T4	T4
				125.641	1.75	2856	5.6	T4	T4	T4
				182.000	1.29	3031	3.9	T4	T4	T4
				205.111	1.16	3080	3.4	T4	T4	T4
				220.882	1.06	3031	3.2	T4	T4	T4
			248.930	0.95	3080	2.8	T4	T4	T4	
GKS09-3N □□□ □G	1G	2G	3G	12.283	8.46	1346	57	T4	T4	T4
	132	100	112	13.360	8.46	1464	52	T4	T4	T4
	300	250	250	16.122	7.18	1500	43	T4	T4	T4
				17.536	7.18	1632	40	T4	T4	T4
				19.541	8.46	2141	36	T4	T4	T4
				22.022	7.80	2226	32	T4	T4	T4
				25.649	7.18	2385	27	T4	T4	T4
				29.228	6.52	2469	24	T4	T4	T4
				32.940	5.87	2508	21	T4	T4	T4
				35.193	5.73	2611	20	T4	T4	T4
				39.662	5.12	2633	18	T4	T4	T4
				43.146	4.96	2774	16	T4	T4	T4
				48.625	4.47	2820	14	T4	T4	T4
				58.456	4.00	3031	12	T4	T4	T4
				65.879	3.57	3048	11	T4	T4	T4
				70.982	3.30	3031	9.9	T4	T4	T4
			79.996	2.96	3071	8.8	T4	T4	T4	
GKS09-3N □□□ □H	1H	2H	3H	12.283	8.46	1346	57	T4	T3	T4
	160	180	132	13.360	8.46	1464	52	T4	T3	T4
	350	350	300	16.122	7.18	1500	43	T4	T3	T4
				17.536	7.18	1632	40	T4	T3	T4
				19.541	8.46	2141	36	T4	T3	T4
				22.022	7.80	2226	32	T4	T3	T4
				25.649	7.18	2385	27	T4	T3	T4
				29.228	6.52	2469	24	T4	T3	T4
				32.940	5.87	2508	21	T4	T3	T4
				35.193	5.73	2611	20	T4	T3	T4
				39.662	5.12	2633	18	T4	T3	T4
				43.146	4.96	2774	16	T4	T3	T4
			48.625	4.47	2820	14	T4	T3	T4	
GKS09-3N □□□ 1K	200			12.283	8.46	1346	57	T4	T3	T4
	400			13.360	8.46	1464	52	T4	T3	T4
				16.122	7.18	1500	43	T4	T3	T4
				17.536	7.18	1632	40	T4	T3	T4
				19.541	8.46	2141	36	T4	T3	T4
				22.022	7.80	2226	32	T4	T3	T4
				25.649	7.18	2385	27	T4	T3	T4

For dimensions, see page 6-86 onwards.

# Helical-bevel gearbox selection table

Gearboxes with mounting flange for Atex category 2GD, 3GD (zone 1, 21, 2, 22)

$M_2 \text{ perm} \leq 3080 \text{ Nm}$		GKS09-4N □□□							
Gearbox with Mounting flange size Motor frame size Flange diameter	i	$P_{1 \text{ perm}}$ [kW]	$M_2 \text{ perm}$ [Nm]	$n_2$ [perm]	Temperature class				
					T3 (G) $\cong$ 190 °C (D) T4 (G) $\cong$ 125 °C (D)				
					Mounting position				
					A, B, E, F	C	D		
<b><math>n_1 = 1400 \text{ perm}</math></b>									
GKS09-4N □□□ <b>1B</b> <b>71</b> <b>105</b>		817.551	0.58	3031	1.7	T4	T4	T4	
		921.367	0.52	3080	1.5	T4	T4	T4	
		992.209	0.48	3031	1.4	T4	T4	T4	
		1118.204	0.43	3080	1.3	T4	T4	T4	
		1254.197	0.38	3031	1.1	T4	T4	T4	
		1413.461	0.34	3080	1.0	T4	T4	T4	
GKS09-4N □□□ □C <b>1C</b> 2C 3C 4C 6C 7C <b>80</b> 71 71 71 63 80 <b>160</b> 160 105 120 160 120		100.551	1.87	1197	14	T4	T4	T4	
		113.320	1.87	1349	12	T4	T4	T4	
		123.275	1.87	1468	11	T4	T4	T4	
		138.929	1.87	1654	10	T4	T4	T4	
		323.365	1.47	3031	4.3	T4	T4	T4	
		364.427	1.32	3071	3.8	T4	T4	T4	
		402.234	1.18	3031	3.5	T4	T4	T4	
		453.311	1.06	3071	3.1	T4	T4	T4	
		520.538	0.91	3031	2.7	T4	T4	T4	
		586.638	0.82	3080	2.4	T4	T4	T4	
		631.744	0.75	3031	2.2	T4	T4	T4	
		711.965	0.68	3080	2.0	T4	T4	T4	
		817.551	0.58	3031	1.7	T4	T4	T4	
		921.367	0.52	3080	1.5	T4	T4	T4	
		992.209	0.48	3031	1.4	T4	T4	T4	
		1118.204	0.43	3080	1.3	T4	T4	T4	
		1254.197	0.38	3031	1.1	T4	T4	T4	
		1413.461	0.34	3080	1.0	T4	T4	T4	
	GKS09-4N □□□ □D <b>1D</b> 2D <b>90</b> 80 <b>160</b> 160		100.551	2.31	1479	14	T4	T4	T4
			113.320	2.31	1666	12	T4	T4	T4
		123.275	2.31	1813	11	T4	T4	T4	
		138.929	2.31	2043	10	T4	T4	T4	
		151.012	2.31	2221	9.3	T4	T4	T4	
		170.188	2.31	2503	8.2	T4	T4	T4	
		204.596	2.31	3009	6.8	T4	T4	T4	
		230.577	2.08	3048	6.1	T4	T4	T4	
		248.439	1.92	3031	5.6	T4	T4	T4	
		279.986	1.72	3071	5.0	T4	T4	T4	
		323.365	1.47	3031	4.3	T4	T4	T4	
		364.427	1.32	3071	3.8	T4	T4	T4	
		402.234	1.18	3031	3.5	T4	T4	T4	
		453.311	1.06	3071	3.1	T4	T4	T4	
		520.538	0.91	3031	2.7	T4	T4	T4	
		586.638	0.82	3080	2.4	T4	T4	T4	
		631.744	0.75	3031	2.2	T4	T4	T4	
		711.965	0.68	3080	2.0	T4	T4	T4	
		817.551	0.58	3031	1.7	T4	T4	T4	
		921.367	0.52	3080	1.5	T4	T4	T4	
	992.209	0.48	3031	1.4	T4	T4	T4		
	1118.204	0.43	3080	1.3	T4	T4	T4		
GKS09-4N □□□ □E <b>1E</b> <b>1E</b> 2E 3E 4E <b>100</b> <b>112</b> 90 80 90 <b>160</b> <b>160</b> 160 160 200		100.551	4.22	2704	14	T4	T4	T4	
		113.320	4.16	3002	12	T4	T4	T4	
		123.275	3.70	2908	11	T4	T4	T4	
		138.929	3.41	3017	10	T4	T4	T4	
		151.012	3.14	3024	9.3	T4	T4	T4	
		170.188	2.78	3017	8.2	T4	T4	T4	
		204.596	2.33	3031	6.8	T4	T4	T4	
		230.577	2.08	3048	6.1	T4	T4	T4	
		248.439	1.92	3031	5.6	T4	T4	T4	
		279.986	1.72	3071	5.0	T4	T4	T4	
		323.365	1.47	3031	4.3	T4	T4	T4	
		364.427	1.32	3071	3.8	T4	T4	T4	

For dimensions, see page 6-86 onwards.

# Helical-bevel gearbox selection table

Gearboxes with mounting flange for Atex category 2GD, 3GD (zone 1, 21, 2, 22)

$M_2 \text{ perm} \leq 3080 \text{ Nm}$						GKS09-4N □□□							
Gearbox with	Mounting flange size					i	$P_1 \text{ perm}$	$M_2 \text{ perm}$	$n_2$	Temperature class			
	Motor frame size	Flange diameter								T3 (G) $\cong$ 190 °C (D)	T4 (G) $\cong$ 125 °C (D)		
									Mounting position				
							[kW]	[Nm]	[perm]	A, B, E, F	C	D	
<b><math>n_1 = 1400 \text{ perm}</math></b>													
GKS09-4N □□□	□E					402.234	1.18	3031	3.5	T4	T4	T4	
	1E	1E	2E	3E	4E	453.311	1.06	3071	3.1	T4	T4	T4	
	100	112	90	80	90	520.538	0.91	3031	2.7	T4	T4	T4	
	160	160	160	160	200	586.638	0.82	3080	2.4	T4	T4	T4	
						631.744	0.75	3031	2.2	T4	T4	T4	
						711.965	0.68	3080	2.0	T4	T4	T4	
GKS09-4N □□□	□F					100.551	4.22	2704	14	T4	T4	T4	
	1F	1F	2F	3F		113.320	4.16	3002	12	T4	T4	T4	
	100	112	90	90		123.275	3.70	2908	11	T4	T4	T4	
	160	160	160	200		138.929	3.41	3017	10	T4	T4	T4	
						151.012	3.14	3024	9.3	T4	T4	T4	
						170.188	2.78	3017	8.2	T4	T4	T4	
						204.596	2.33	3031	6.8	T4	T4	T4	
						230.577	2.08	3048	6.1	T4	T4	T4	
						248.439	1.92	3031	5.6	T4	T4	T4	
						279.986	1.72	3071	5.0	T4	T4	T4	
<b><math>n_1 = 700 \text{ perm}</math></b>													
GKS09-4N □□□	1B					817.551	0.29	3031	0.9	T4	T4	T4	
	71					921.367	0.26	3080	0.8	T4	T4	T4	
	105					992.209	0.24	3031	0.7	T4	T4	T4	
						1118.204	0.22	3080	0.6	T4	T4	T4	
						1254.197	0.19	3031	0.6	T4	T4	T4	
						1413.461	0.17	3080	0.5	T4	T4	T4	
GKS09-4N □□□	□C					100.551	1.18	1506	7.0	T4	T4	T4	
	1C	2C	3C	4C	6C	7C	113.320	1.18	1697	6.2	T4	T4	T4
	80	71	71	71	63	80	123.275	1.18	1846	5.7	T4	T4	T4
	160	160	105	120	160	120	138.929	1.18	2081	5.0	T4	T4	T4
							323.365	0.74	3031	2.2	T4	T4	T4
							364.427	0.66	3071	1.9	T4	T4	T4
							402.234	0.59	3031	1.7	T4	T4	T4
							453.311	0.53	3071	1.5	T4	T4	T4
							520.538	0.46	3031	1.3	T4	T4	T4
							586.638	0.41	3080	1.2	T4	T4	T4
							631.744	0.38	3031	1.1	T4	T4	T4
							711.965	0.34	3080	1.0	T4	T4	T4
							817.551	0.29	3031	0.9	T4	T4	T4
							921.367	0.26	3080	0.8	T4	T4	T4
							992.209	0.24	3031	0.7	T4	T4	T4
							1118.204	0.22	3080	0.6	T4	T4	T4
							1254.197	0.19	3031	0.6	T4	T4	T4
							1413.461	0.17	3080	0.5	T4	T4	T4
GKS09-4N □□□	□D					100.551	1.54	1972	7.0	T4	T4	T4	
	1D	2D				113.320	1.54	2222	6.2	T4	T4	T4	
	90	80				123.275	1.54	2417	5.7	T4	T4	T4	
	160	160				138.929	1.54	2724	5.0	T4	T4	T4	
						151.012	1.36	2615	4.6	T4	T4	T4	
						170.188	1.36	2947	4.1	T4	T4	T4	
						204.596	1.16	3031	3.4	T4	T4	T4	
						230.577	1.04	3048	3.0	T4	T4	T4	
						248.439	0.96	3031	2.8	T4	T4	T4	
						279.986	0.86	3071	2.5	T4	T4	T4	
						323.365	0.74	3031	2.2	T4	T4	T4	
						364.427	0.66	3071	1.9	T4	T4	T4	
						402.234	0.59	3031	1.7	T4	T4	T4	
						453.311	0.53	3071	1.5	T4	T4	T4	
						520.538	0.46	3031	1.3	T4	T4	T4	
						586.638	0.41	3080	1.2	T4	T4	T4	

For dimensions, see page 6-86 onwards.



# Helical-bevel gearbox selection table

Gearboxes with mounting flange for Atex category 2GD, 3GD (zone 1, 21, 2, 22)

$M_2 \text{ perm} \leq 3080 \text{ Nm}$		GKS09-4N □□□						
Gearbox with	Mounting flange size Motor frame size Flange diameter	i	$P_1 \text{ perm}$ [kW]	$M_2 \text{ perm}$ [Nm]	$n_2$ [perm]	Temperature class		
						T3 (G) $\cong$ 190 °C (D) T4 (G) $\cong$ 125 °C (D)		
						Mounting position		
						A, B, E, F	C	D
<b><math>n_1 = 700 \text{ perm}</math></b>								
GKS09-4N □□□	□D	631.744	0.38	3031	1.1	T4	T4	T4
	1D 2D	711.965	0.34	3080	1.0	T4	T4	T4
	90 80	817.551	0.29	3031	0.9	T4	T4	T4
	160 160	921.367	0.26	3080	0.8	T4	T4	T4
		992.209	0.24	3031	0.7	T4	T4	T4
		1118.204	0.22	3080	0.6	T4	T4	T4
GKS09-4N □□□	□E	100.551	2.11	2704	7.0	T4	T4	T4
	1E 1E 2E 3E 4E	113.320	2.08	3002	6.2	T4	T4	T4
	100 112 90 80 90	123.275	1.85	2908	5.7	T4	T4	T4
	160 160 160 160 200	138.929	1.70	3017	5.0	T4	T4	T4
		151.012	1.57	3024	4.6	T4	T4	T4
		170.188	1.39	3017	4.1	T4	T4	T4
		204.596	1.16	3031	3.4	T4	T4	T4
		230.577	1.04	3048	3.0	T4	T4	T4
		248.439	0.96	3031	2.8	T4	T4	T4
		279.986	0.86	3071	2.5	T4	T4	T4
		323.365	0.74	3031	2.2	T4	T4	T4
		364.427	0.66	3071	1.9	T4	T4	T4
		402.234	0.59	3031	1.7	T4	T4	T4
		453.311	0.53	3071	1.5	T4	T4	T4
		520.538	0.46	3031	1.3	T4	T4	T4
		586.638	0.41	3080	1.2	T4	T4	T4
		631.744	0.38	3031	1.1	T4	T4	T4
	711.965	0.34	3080	1.0	T4	T4	T4	
GKS09-4N □□□	□F	100.551	2.11	2704	7.0	T4	T4	T4
	1F 1F 2F 3F	113.320	2.08	3002	6.2	T4	T4	T4
	100 112 90 90	123.275	1.85	2908	5.7	T4	T4	T4
	160 160 160 200	138.929	1.70	3017	5.0	T4	T4	T4
		151.012	1.57	3024	4.6	T4	T4	T4
		170.188	1.39	3017	4.1	T4	T4	T4
		204.596	1.16	3031	3.4	T4	T4	T4
		230.577	1.04	3048	3.0	T4	T4	T4
		248.439	0.96	3031	2.8	T4	T4	T4
		279.986	0.86	3071	2.5	T4	T4	T4

For dimensions, see page 6-86 onwards.

# Helical-bevel gearbox selection table

Gearboxes with mounting flange for Atex category 2GD, 3GD (zone 1, 21, 2, 22)

$M_2 \text{ perm} \leq 6072 \text{ Nm}$				GKS11-3N □□□						
Gearbox with	Mounting flange size			i	$P_1 \text{ perm}$	$M_2 \text{ perm}$	$n_2$	Temperature class		
	Motor frame size	Flange diameter						T3 (G) $\cong$ 190 °C (D) T4 (G) $\cong$ 125 °C (D)		
								Mounting position		
								A, B, E, F	C	D

## $n_1 = 2800 \text{ perm}$

GKS11-3N □□□ □E	1E	1E	2E	3E	4E	91.737	8.83	2624	31	T3	T3	-	
	100	112	90	80	90	103.365	8.83	2956	27	T3	T3	-	
	160	160	160	160	200	111.335	7.99	2883	25	T3	T3	-	
						125.448	7.99	3248	22	T3	T3	-	
						140.732	6.41	2924	20	T3	T3	-	
						158.571	6.41	3294	18	T3	T3	-	
						186.572	9.57	5782	15	T3	T3	-	
						210.222	8.65	5892	13	T3	T3	-	
						226.431	7.99	5862	12	T3	T3	-	
						255.133	7.13	5892	11	T3	T3	-	
						286.219	6.41	5946	9.8	T3	T3	-	
						322.500	5.64	5892	8.7	T3	T3	-	
	GKS11-3N □□□ □F	1F	1F	2F	3F		35.741	10.72	1241	78	T3	-	-
		100	112	90	90		40.272	10.72	1398	70	T3	-	-
		160	160	160	200		57.683	12.17	2275	49	T3	-	-
						64.995	12.17	2564	43	T3	-	-	
						70.887	11.79	2709	40	T3	-	-	
						79.873	11.79	3052	35	T3	-	-	
						91.737	9.48	2816	31	T3	-	-	
						103.365	9.48	3173	27	T3	-	-	
						111.335	8.57	3093	25	T3	-	-	
						125.448	8.57	3485	22	T3	-	-	
						140.732	6.88	3135	20	T3	-	-	
						158.571	6.88	3532	18	T3	-	-	
						186.572	9.89	5975	15	T3	-	-	
						210.222	8.65	5892	13	T3	-	-	
GKS11-3N □□□ □G		1G	2G	2G	3G		28.021	28.57	2594	100	T3	-	-
	132	100	112	132		31.573	28.57	2923	89	T3	-	-	
	300	250	250	250		35.741	28.57	3309	78	T3	-	-	
						40.272	28.57	3728	70	T3	-	-	
						43.783	32.47	4605	64	T3	-	-	
						49.333	31.66	5061	57	T3	-	-	
						57.683	27.14	5071	49	T3	-	-	
						64.995	26.26	5529	43	T3	-	-	
						70.887	22.71	5214	40	T3	-	-	
						79.873	21.51	5566	35	T3	-	-	
						91.737	18.23	5418	31	T3	-	-	
						103.365	16.73	5603	27	T3	-	-	
						111.335	16.49	5949	25	T3	-	-	
						125.448	14.94	6072	22	T3	-	-	
						186.572	9.89	5975	15	T3	-	-	
					210.222	8.65	5892	13	T3	-	-		
					226.431	8.15	5975	12	T3	-	-		
					255.133	7.13	5892	11	T3	-	-		

## $n_1 = 1400 \text{ perm}$

GKS11-3N □□□ □E	1E	1E	2E	3E	4E	91.737	4.78	2843	15	T4	T4	T4
	100	112	90	80	90	103.365	4.78	3204	14	T4	T4	T4
	160	160	160	160	200	111.335	4.00	2883	13	T4	T4	T4
						125.448	4.00	3248	11	T4	T4	T4
						140.732	3.21	2924	10.0	T4	T4	T4
						158.571	3.21	3294	8.8	T4	T4	T4
						186.572	4.78	5782	7.5	T4	T4	T4
						210.222	4.33	5892	6.7	T4	T4	T4
						226.431	4.00	5862	6.2	T4	T4	T4
						255.133	3.56	5892	5.5	T4	T4	T4
						286.219	3.21	5946	4.9	T4	T4	T4
						322.500	2.82	5892	4.3	T4	T4	T4

For dimensions, see page 6-86 onwards.

# Helical-bevel gearbox selection table

Gearboxes with mounting flange for Atex category 2GD, 3GD (zone 1, 21, 2, 22)

$M_2 \text{ perm} \leq 6072 \text{ Nm}$				GKS11-3N □□□						
Gearbox with	Mounting flange size			i	$P_1 \text{ perm}$	$M_2 \text{ perm}$	$n_2$	Temperature class		
	Motor frame size	Flange diameter						T3 (G) $\cong$ 190 °C (D) T4 (G) $\cong$ 125 °C (D)		
								Mounting position		
								A, B, E, F	C	D

## $n_1 = 1400 \text{ perm}$

GKS11-3N □□□ □F	1F	1F	2F	3F	35.741	6.60	1528	39	T3	T3	T3
	100	112	90	90	40.272	6.60	1721	35	T3	T3	T3
	160	160	160	200	57.683	6.60	2466	24	T4	T4	T4
					64.995	6.60	2778	22	T4	T4	T4
					70.887	6.39	2935	20	T4	T4	T4
					79.873	6.39	3308	18	T4	T4	T4
					91.737	5.13	3052	15	T4	T4	T4
					103.365	5.13	3439	14	T4	T4	T4
					111.335	4.29	3093	13	T4	T4	T4
					125.448	4.29	3485	11	T4	T4	T4
					140.732	3.44	3135	10.0	T4	T4	T4
					158.571	3.44	3532	8.8	T4	T4	T4
					186.572	4.94	5975	7.5	T4	T4	T4
					210.222	4.33	5892	6.7	T4	T4	T4
					226.431	4.07	5975	6.2	T4	T4	T4
					255.133	3.56	5892	5.5	T4	T4	T4
					286.219	3.22	5975	4.9	T4	T4	T4
				322.500	2.82	5892	4.3	T4	T4	T4	
GKS11-3N □□□ □G	1G	2G	2G	3G	28.021	17.59	3194	50	T3	T3	T3
	132	100	112	132	31.573	17.59	3599	44	T3	T3	T3
	300	250	250	250	35.741	17.59	4074	39	T3	T3	T3
					40.272	17.59	4590	35	T3	T3	T3
					43.783	17.59	4991	32	T3	T3	T3
					49.333	17.16	5484	28	T3	T3	T3
					57.683	14.70	5495	24	T4	T3	T4
					64.995	14.23	5992	22	T4	T3	T4
					70.887	12.30	5651	20	T4	T4	T4
					79.873	11.66	6032	18	T4	T4	T4
					91.737	9.88	5871	15	T4	T4	T4
					103.365	9.07	6072	14	T4	T4	T4
					111.335	8.25	5949	13	T4	T4	T4
					125.448	7.47	6072	11	T4	T4	T4
					186.572	4.94	5975	7.5	T4	T4	T4
					210.222	4.33	5892	6.7	T4	T4	T4
					226.431	4.07	5975	6.2	T4	T4	T4
				255.133	3.56	5892	5.5	T4	T4	T4	
GKS11-3N □□□ □H	1H	2H	3H		12.094	29.71	2328	116	T3	T3	T3
	160	180	132		13.154	29.71	2532	106	T3	T3	T3
	350	350	300		15.874	25.24	2596	88	T3	T3	T3
					17.265	25.24	2824	81	T3	T3	T3
					19.515	29.71	3756	72	T3	T3	T3
					21.989	29.55	4210	64	T3	T3	T3
					25.615	25.24	4189	55	T3	T3	T3
					28.021	23.89	4338	50	T3	T3	T3
					31.573	23.47	4801	44	T3	T3	T3
					35.741	20.52	4752	39	T3	T3	T3
					40.272	19.90	5194	35	T3	T3	T3
					43.783	17.93	5088	32	T3	T3	T3
					49.333	17.16	5484	28	T3	T3	T3
					57.683	14.93	5581	24	T4	T3	T4
					64.995	14.23	5992	22	T4	T3	T4
					70.887	13.00	5973	20	T4	T3	T4
					79.873	11.66	6032	18	T4	T3	T4
GKS11-3N □□□ □K	1K	2K			12.094	29.71	2328	116	T3	T3	T3
	200	225			13.154	29.71	2532	106	T3	T3	T3
	400	450			15.874	25.24	2596	88	T3	T3	T3
					17.265	25.24	2824	81	T3	T3	T3
					19.515	29.71	3756	72	T3	T3	T3
					21.989	29.55	4210	64	T3	T3	T3
					25.615	25.24	4189	55	T3	T3	T3
					28.021	23.89	4338	50	T3	T3	T3

For dimensions, see page 6-86 onwards.

# Helical-bevel gearbox selection table

Gearboxes with mounting flange for Atex category 2GD, 3GD (zone 1, 21, 2, 22)

$M_2 \text{ perm} \leq 6072 \text{ Nm}$				GKS11-3N □□□						
Gearbox with	Mounting flange size			i	$P_1 \text{ perm}$	$M_2 \text{ perm}$	$n_2$	Temperature class		
	Motor frame size	Flange diameter						T3 (G) $\cong 190 \text{ }^\circ\text{C}$ (D)	T4 (G) $\cong 125 \text{ }^\circ\text{C}$ (D)	Mounting position
					[kW]	[Nm]	[perm]	A, B, E, F	C	D
<b><math>n_1 = 1400 \text{ perm}</math></b>										
GKS11-3N □□□	□K			31.573	23.47	4801	44	T3	T3	T3
	1K	2K		35.741	20.52	4752	39	T3	T3	T3
	200	225		40.272	19.90	5194	35	T3	T3	T3
	400	450		43.783	17.93	5088	32	T3	T3	T3
				49.333	17.16	5484	28	T3	T3	T3
<b><math>n_1 = 700 \text{ perm}</math></b>										
GKS11-3N □□□	□E			91.737	2.39	2843	7.6	T4	T4	T4
	1E	1E	2E 3E 4E	103.365	2.39	3204	6.8	T4	T4	T4
	100	112	90 80 90	111.335	2.00	2883	6.3	T4	T4	T4
	160	160	160 160 200	125.448	2.00	3248	5.6	T4	T4	T4
				140.732	1.60	2924	5.0	T4	T4	T4
				158.571	1.60	3294	4.4	T4	T4	T4
				186.572	2.39	5782	3.8	T4	T4	T4
				210.222	2.16	5892	3.3	T4	T4	T4
				226.431	2.00	5862	3.1	T4	T4	T4
				255.133	1.78	5892	2.7	T4	T4	T4
				286.219	1.60	5946	2.5	T4	T4	T4
				322.500	1.41	5892	2.2	T4	T4	T4
GKS11-3N □□□	□F			35.741	4.40	2037	20	T4	T4	T4
	1F	1F	2F 3F	40.272	4.40	2295	17	T4	T4	T4
	100	112	90 90	57.683	3.82	2859	12	T4	T4	T4
	160	160	160 200	64.995	3.82	3221	11	T4	T4	T4
				70.887	3.20	2935	9.9	T4	T4	T4
				79.873	3.20	3308	8.8	T4	T4	T4
				91.737	2.57	3052	7.6	T4	T4	T4
				103.365	2.57	3439	6.8	T4	T4	T4
				111.335	2.14	3093	6.3	T4	T4	T4
				125.448	2.14	3485	5.6	T4	T4	T4
				140.732	1.72	3135	5.0	T4	T4	T4
				158.571	1.72	3532	4.4	T4	T4	T4
				186.572	2.47	5975	3.8	T4	T4	T4
				210.222	2.16	5892	3.3	T4	T4	T4
				226.431	2.04	5975	3.1	T4	T4	T4
				255.133	1.78	5892	2.7	T4	T4	T4
				286.219	1.61	5975	2.5	T4	T4	T4
				322.500	1.41	5892	2.2	T4	T4	T4
GKS11-3N □□□	□G			28.021	11.73	4259	25	T4	T4	T4
	1G	2G 2G 3G		31.573	11.73	4798	22	T4	T4	T4
	132	100 112 132		35.741	10.26	4752	20	T4	T4	T4
	300	250 250 250		40.272	9.95	5194	17	T4	T4	T4
				43.783	8.97	5088	16	T4	T4	T4
				49.333	8.58	5484	14	T4	T4	T4
				57.683	7.35	5495	12	T4	T4	T4
				64.995	7.11	5992	11	T4	T4	T4
				70.887	6.15	5651	9.9	T4	T4	T4
				79.873	5.83	6032	8.8	T4	T4	T4
				91.737	4.94	5871	7.6	T4	T4	T4
				103.365	4.53	6072	6.8	T4	T4	T4
				111.335	4.12	5949	6.3	T4	T4	T4
				125.448	3.74	6072	5.6	T4	T4	T4
				186.572	2.47	5975	3.8	T4	T4	T4
				210.222	2.16	5892	3.3	T4	T4	T4
				226.431	2.04	5975	3.1	T4	T4	T4
				255.133	1.78	5892	2.7	T4	T4	T4

For dimensions, see page 6-86 onwards.

# Helical-bevel gearbox selection table

Gearboxes with mounting flange for Atex category 2GD, 3GD (zone 1, 21, 2, 22)

$M_2 \text{ perm} \leq 6072 \text{ Nm}$			GKS11-3N □□□							
Gearbox with	Mounting flange size		i	$P_1 \text{ perm}$	$M_2 \text{ perm}$	$n_2$	Temperature class			
	Motor frame size	Flange diameter					T3 (G) $\cong$ 190 °C (D) T4 (G) $\cong$ 125 °C (D)			
							Mounting position			
				[kW]	[Nm]	[perm]	A, B, E, F	C	D	
<b><math>n_1 = 700 \text{ perm}</math></b>										
GKS11-3N □□□ □H	1H	2H	3H	12.094	14.85	2328	58	T4	T3	T4
	160	180	132	13.154	14.85	2532	53	T4	T3	T4
	350	350	300	15.874	12.62	2596	44	T4	T3	T4
				17.265	12.62	2824	41	T4	T3	T4
				19.515	14.85	3756	36	T4	T3	T4
				21.989	14.78	4210	32	T4	T3	T4
				25.615	12.62	4189	27	T4	T3	T4
				28.021	11.95	4338	25	T4	T3	T4
				31.573	11.73	4801	22	T4	T3	T4
				35.741	10.26	4752	20	T4	T3	T4
				40.272	9.95	5194	17	T4	T3	T4
				43.783	8.97	5088	16	T4	T3	T4
				49.333	8.58	5484	14	T4	T3	T4
				57.683	7.47	5581	12	T4	T3	T4
				64.995	7.11	5992	11	T4	T3	T4
				70.887	6.50	5973	9.9	T4	T3	T4
				79.873	5.83	6032	8.8	T4	T3	T4
GKS11-3N □□□ □K	1K	2K		12.094	14.85	2328	58	T4	T3	T4
	200	225		13.154	14.85	2532	53	T4	T3	T4
	400	450		15.874	12.62	2596	44	T4	T3	T4
				17.265	12.62	2824	41	T4	T3	T4
				19.515	14.85	3756	36	T4	T3	T4
				21.989	14.78	4210	32	T4	T3	T4
				25.615	12.62	4189	27	T4	T3	T4
				28.021	11.95	4338	25	T4	T3	T4
				31.573	11.73	4801	22	T4	T3	T4
				35.741	10.26	4752	20	T4	T3	T4
				40.272	9.95	5194	17	T4	T3	T4
				43.783	8.97	5088	16	T4	T3	T4
				49.333	8.58	5484	14	T4	T3	T4

For dimensions, see page 6-86 onwards.

# Helical-bevel gearbox selection table

Gearboxes with mounting flange for Atex category 2GD, 3GD (zone 1, 21, 2, 22)

$M_2 \text{ perm} \leq 6072 \text{ Nm}$							GKS11-4N □□□						
Gearbox with	Mounting flange size Motor frame size Flange diameter						i	$P_{1 \text{ perm}}$ [kW]	$M_2 \text{ perm}$ [Nm]	$n_2$ [perm]	Temperature class T3 (G) $\cong$ 190 °C (D) T4 (G) $\cong$ 125 °C (D)		
	Mounting position A, B, E, F			C		D							
<b><math>n_1 = 1400 \text{ perm}</math></b>													
GKS11-4N □□□ □C	1C	2C	3C	4C	6C	7C	816.455	1.15	5975	1.7	T4	T4	T4
	80	71	71	71	63	80	919.949	1.04	6072	1.5	T4	T4	T4
	160	160	105	120	160	120	990.879	0.95	5975	1.4	T4	T4	T4
							1116.484	0.85	6072	1.3	T4	T4	T4
							1252.516	0.75	5975	1.1	T4	T4	T4
							1411.286	0.68	6072	1.0	T4	T4	T4
GKS11-4N □□□ □D	1D	2D					102.119	2.31	1502	14	T4	T4	T4
	90	80					115.063	2.31	1692	12	T4	T4	T4
	160	160					125.095	2.31	1840	11	T4	T4	T4
							140.952	2.31	2073	9.9	T4	T4	T4
							322.931	2.31	4749	4.3	T4	T4	T4
							363.866	2.31	5351	3.9	T4	T4	T4
							395.787	2.29	5784	3.5	T4	T4	T4
							445.958	2.12	6032	3.1	T4	T4	T4
							512.196	1.83	5975	2.7	T4	T4	T4
							577.122	1.65	6072	2.4	T4	T4	T4
							621.619	1.51	5975	2.3	T4	T4	T4
							700.416	1.36	6072	2.0	T4	T4	T4
							816.455	1.15	5975	1.7	T4	T4	T4
							919.949	1.04	6072	1.5	T4	T4	T4
							990.879	0.95	5975	1.4	T4	T4	T4
							1116.484	0.85	6072	1.3	T4	T4	T4
							1252.516	0.75	5975	1.1	T4	T4	T4
						1411.286	0.68	6072	1.0	T4	T4	T4	
GKS11-4N □□□ □E	1E	1E	2E	3E	4E		102.119	6.43	4180	14	T4	T4	T4
	100	112	90	80	90		115.063	6.43	4710	12	T4	T4	T4
	160	160	160	160	200		125.095	6.43	5121	11	T4	T4	T4
							140.952	6.43	5770	9.9	T4	T4	T4
							153.242	5.53	5398	9.1	T4	T4	T4
							172.667	5.39	5923	8.1	T4	T4	T4
							201.890	4.64	5972	6.9	T4	T4	T4
							227.481	4.14	5992	6.2	T4	T4	T4
							248.106	3.78	5973	5.6	T4	T4	T4
							279.556	3.39	6032	5.0	T4	T4	T4
							322.931	2.90	5973	4.3	T4	T4	T4
							363.866	2.60	6032	3.9	T4	T4	T4
							395.787	2.37	5973	3.5	T4	T4	T4
							445.958	2.12	6032	3.1	T4	T4	T4
							512.196	1.83	5975	2.7	T4	T4	T4
							577.122	1.65	6072	2.4	T4	T4	T4
							621.619	1.51	5975	2.3	T4	T4	T4
						700.416	1.36	6072	2.0	T4	T4	T4	
						816.455	1.15	5975	1.7	T4	T4	T4	
						919.949	1.04	6072	1.5	T4	T4	T4	
						990.879	0.95	5975	1.4	T4	T4	T4	
						1116.484	0.85	6072	1.3	T4	T4	T4	
GKS11-4N □□□ □F	1F	1F	2F	3F			102.119	6.60	4291	14	T4	T4	T4
	100	112	90	90			115.063	6.60	4835	12	T4	T4	T4
	160	160	160	200			125.095	6.60	5256	11	T4	T4	T4
							140.952	6.60	5922	9.9	T4	T4	T4
							153.242	5.84	5698	9.1	T4	T4	T4
							172.667	5.39	5923	8.1	T4	T4	T4
							201.890	4.64	5972	6.9	T4	T4	T4
							227.481	4.14	5992	6.2	T4	T4	T4
							248.106	3.78	5973	5.6	T4	T4	T4
							279.556	3.39	6032	5.0	T4	T4	T4
							322.931	2.90	5973	4.3	T4	T4	T4
							363.866	2.60	6032	3.9	T4	T4	T4

For dimensions, see page 6-86 onwards.

# Helical-bevel gearbox selection table

Gearboxes with mounting flange for Atex category 2GD, 3GD (zone 1, 21, 2, 22)

$M_2 \text{ perm} \leq 6072 \text{ Nm}$				GKS11-4N □□□						
Gearbox with	Mounting flange size			i	$P_1 \text{ perm}$	$M_2 \text{ perm}$	$n_2$	Temperature class		
	Motor frame size	Flange diameter						T3 (G) $\cong$ 190 °C (D) T4 (G) $\cong$ 125 °C (D)		
								Mounting position		
					[kW]	[Nm]	[perm]	A, B, E, F	C	D
<b><math>n_1 = 1400 \text{ perm}</math></b>										
GKS11-4N □□□	□F			395.787	2.37	5973	3.5	T4	T4	T4
	<b>1F</b>	<b>1F</b>	2F 3F	445.958	2.12	6032	3.1	T4	T4	T4
	<b>100</b>	<b>112</b>	90 90	512.196	1.83	5975	2.7	T4	T4	T4
	<b>160</b>	<b>160</b>	160 200	577.122	1.65	6072	2.4	T4	T4	T4
				621.619	1.51	5975	2.3	T4	T4	T4
				700.416	1.36	6072	2.0	T4	T4	T4
GKS11-4N □□□	□G			102.119	7.98	5188	14	T4	T3	T4
	<b>1G</b>	2G 2G 3G		115.063	8.01	5869	12	T4	T3	T4
	<b>132</b>	100 112 132		125.095	7.00	5577	11	T4	T3	T4
	<b>300</b>	250 250 250		140.952	6.60	5923	9.9	T4	T3	T4
				153.242	5.94	5800	9.1	T4	T4	T4
				172.667	5.39	5923	8.1	T4	T4	T4
				201.890	4.64	5972	6.9	T4	T4	T4
				227.481	4.14	5992	6.2	T4	T4	T4
				248.106	3.78	5973	5.6	T4	T4	T4
				279.556	3.39	6032	5.0	T4	T4	T4
	<b><math>n_1 = 700 \text{ perm}</math></b>									
GKS11-4N □□□	□C			816.455	0.57	5975	0.9	T4	T4	T4
	<b>1C</b>	2C 3C 4C 6C 7C		919.949	0.52	6072	0.8	T4	T4	T4
	<b>80</b>	71 71 71 63 80		990.879	0.47	5975	0.7	T4	T4	T4
	<b>160</b>	160 105 120 160 120		1116.484	0.43	6072	0.6	T4	T4	T4
				1252.516	0.37	5975	0.6	T4	T4	T4
				1411.286	0.34	6072	0.5	T4	T4	T4
GKS11-4N □□□	□D			102.119	1.54	2002	6.9	T4	T4	T4
	<b>1D</b>	2D		115.063	1.54	2256	6.1	T4	T4	T4
	<b>90</b>	80		125.095	1.54	2453	5.6	T4	T4	T4
	<b>160</b>	160		140.952	1.54	2764	5.0	T4	T4	T4
				322.931	1.34	5510	2.2	T4	T4	T4
				363.866	1.30	6032	1.9	T4	T4	T4
				395.787	1.15	5784	1.8	T4	T4	T4
				445.958	1.06	6032	1.6	T4	T4	T4
				512.196	0.92	5975	1.4	T4	T4	T4
				577.122	0.83	6072	1.2	T4	T4	T4
				621.619	0.75	5975	1.1	T4	T4	T4
				700.416	0.68	6072	1.0	T4	T4	T4
				816.455	0.57	5975	0.9	T4	T4	T4
				919.949	0.52	6072	0.8	T4	T4	T4
				990.879	0.47	5975	0.7	T4	T4	T4
				1116.484	0.43	6072	0.6	T4	T4	T4
				1252.516	0.37	5975	0.6	T4	T4	T4
				1411.286	0.34	6072	0.5	T4	T4	T4
GKS11-4N □□□	□E			102.119	3.21	4180	6.9	T4	T4	T4
	<b>1E</b>	<b>1E</b> 2E 3E 4E		115.063	3.21	4710	6.1	T4	T4	T4
	<b>100</b>	<b>112</b> 90 80 90		125.095	3.21	5121	5.6	T4	T4	T4
	<b>160</b>	<b>160</b> 160 160 200		140.952	3.21	5770	5.0	T4	T4	T4
				153.242	2.77	5398	4.6	T4	T4	T4
				172.667	2.69	5923	4.1	T4	T4	T4
				201.890	2.32	5972	3.5	T4	T4	T4
				227.481	2.07	5992	3.1	T4	T4	T4
				248.106	1.89	5973	2.8	T4	T4	T4
				279.556	1.69	6032	2.5	T4	T4	T4
				322.931	1.45	5973	2.2	T4	T4	T4
				363.866	1.30	6032	1.9	T4	T4	T4
				395.787	1.18	5973	1.8	T4	T4	T4
				445.958	1.06	6032	1.6	T4	T4	T4
				512.196	0.92	5975	1.4	T4	T4	T4

For dimensions, see page 6-86 onwards.

# Helical-bevel gearbox selection table

Gearboxes with mounting flange for Atex category 2GD, 3GD (zone 1, 21, 2, 22)

$M_2 \text{ perm} \leq 6072 \text{ Nm}$					GKS11-4N □□□							
Gearbox with	Mounting flange size				i	$P_1 \text{ perm}$	$M_2 \text{ perm}$	$n_2$	Temperature class			
	Motor frame size	Flange diameter							T3 (G) $\cong$ 190 °C (D) T4 (G) $\cong$ 125 °C (D)			
								Mounting position				
						[kW]	[Nm]	[perm]	A, B, E, F	C	D	
<b><math>n_1 = 700 \text{ perm}</math></b>												
GKS11-4N □□□ □E	1E	1E	2E	3E	4E	577.122	0.83	6072	1.2	T4	T4	T4
	100	112	90	80	90	621.619	0.75	5975	1.1	T4	T4	T4
	160	160	160	160	200	700.416	0.68	6072	1.0	T4	T4	T4
						816.455	0.57	5975	0.9	T4	T4	T4
						919.949	0.52	6072	0.8	T4	T4	T4
						990.879	0.47	5975	0.7	T4	T4	T4
						1116.484	0.43	6072	0.6	T4	T4	T4
GKS11-4N □□□ □F	1F	1F	2F	3F		102.119	3.38	4402	6.9	T4	T4	T4
	100	112	90	90		115.063	3.38	4961	6.1	T4	T4	T4
	160	160	160	200		125.095	3.38	5393	5.6	T4	T4	T4
						140.952	3.30	5923	5.0	T4	T4	T4
						153.242	2.92	5698	4.6	T4	T4	T4
						172.667	2.69	5923	4.1	T4	T4	T4
						201.890	2.32	5972	3.5	T4	T4	T4
						227.481	2.07	5992	3.1	T4	T4	T4
						248.106	1.89	5973	2.8	T4	T4	T4
						279.556	1.69	6032	2.5	T4	T4	T4
						322.931	1.45	5973	2.2	T4	T4	T4
						363.866	1.30	6032	1.9	T4	T4	T4
						395.787	1.18	5973	1.8	T4	T4	T4
						445.958	1.06	6032	1.6	T4	T4	T4
						512.196	0.92	5975	1.4	T4	T4	T4
						577.122	0.83	6072	1.2	T4	T4	T4
					621.619	0.75	5975	1.1	T4	T4	T4	
					700.416	0.68	6072	1.0	T4	T4	T4	
GKS11-4N □□□ □G	1G	2G	2G	3G		102.119	3.99	5188	6.9	T4	T4	T4
	132	100	112	132		115.063	4.00	5869	6.1	T4	T4	T4
	300	250	250	250		125.095	3.50	5577	5.6	T4	T4	T4
						140.952	3.30	5923	5.0	T4	T4	T4
						153.242	2.97	5800	4.6	T4	T4	T4
						172.667	2.69	5923	4.1	T4	T4	T4
						201.890	2.32	5972	3.5	T4	T4	T4
						227.481	2.07	5992	3.1	T4	T4	T4
						248.106	1.89	5973	2.8	T4	T4	T4
						279.556	1.69	6032	2.5	T4	T4	T4

For dimensions, see page 6-86 onwards.



# Helical-bevel gearbox selection table

Gearboxes with mounting flange for Atex category 2GD, 3GD (zone 1, 21, 2, 22)

$M_2 \text{ perm} \leq 11784 \text{ Nm}$				GKS14-3N □□□						
Gearbox with	Mounting flange size			i	$P_1 \text{ perm}$	$M_2 \text{ perm}$	$n_2$	Temperature class		
	Motor frame size	Flange diameter						T3 (G) $\cong 190 \text{ }^\circ\text{C}$ (D)	T4 (G) $\cong 125 \text{ }^\circ\text{C}$ (D)	Mounting position
					[kW]	[Nm]	[perm]	A, B, E, F	C	D

## $n_1 = 2800 \text{ perm}$

GKS14-3N □□□ □G	56.251	32.47	5916	50	T3	-	-
1G 2G 2G 3G	63.382	32.47	6666	44	T3	-	-
132 100 112 132	68.942	28.11	6279	41	T3	-	-
300 250 250 250	77.681	28.11	7075	36	T3	-	-
	90.551	22.05	6469	31	T3	-	-
	102.029	22.05	7290	27	T3	-	-
	109.896	18.42	6560	26	T3	-	-
	123.826	19.97	8010	23	T3	-	-
	138.913	16.03	7212	20	T3	-	-
	156.522	16.03	8126	18	T3	-	-
	186.572	19.21	11609	15	T3	-	-
	210.222	16.97	11555	13	T3	-	-
	226.431	15.83	11609	12	T3	-	-
	255.133	13.98	11555	11	T3	-	-
	286.219	12.52	11609	9.8	T3	-	-
	322.500	11.06	11555	8.7	T3	-	-

## $n_1 = 1400 \text{ perm}$

GKS14-3N □□□ □G	56.251	17.59	6412	25	T3	T3	T3
1G 2G 2G 3G	63.382	17.59	7224	22	T3	T3	T3
132 100 112 132	68.942	15.23	6805	20	T4	T3	T4
300 250 250 250	77.681	15.23	7668	18	T4	T3	T4
	90.551	11.95	7011	16	T4	T4	T4
	102.029	11.95	7900	14	T4	T4	T4
	109.896	9.98	7109	13	T4	T4	T4
	123.826	9.98	8010	11	T4	T4	T4
	138.913	8.01	7212	10	T4	T4	T4
	156.522	8.01	8126	8.9	T4	T4	T4
	186.572	9.60	11609	7.5	T4	T4	T4
	210.222	8.48	11555	6.7	T4	T4	T4
	226.431	7.91	11609	6.2	T4	T4	T4
	255.133	6.99	11555	5.5	T4	T4	T4
	286.219	6.26	11609	4.9	T4	T4	T4
	322.500	5.53	11555	4.3	T4	T4	T4
GKS14-3N □□□ □H	16.646	46.22	4985	84	T3	T3	T3
1H 2H 3H	18.311	43.61	5175	77	T3	T3	T3
160 180 132	24.696	46.22	7396	57	T3	T3	T3
350 350 300	27.165	43.61	7677	52	T3	T3	T3
	30.609	42.93	8514	46	T3	T3	T3
	34.692	37.46	8420	40	T3	T3	T3
	39.089	36.29	9191	36	T3	T3	T3
	42.531	32.89	9065	33	T3	T3	T3
	47.923	31.54	9792	29	T3	T3	T3
	56.251	27.49	10019	25	T3	T3	T3
	63.382	25.88	10627	22	T3	T3	T3
	68.942	23.96	10705	20	T3	T3	T3
	77.681	22.44	11294	18	T3	T3	T3
	90.551	19.58	11488	16	T4	T3	T4
	102.029	17.61	11639	14	T4	T3	T4
	109.896	16.55	11784	13	T4	T3	T4
	123.826	14.51	11639	11	T4	T3	T4
	186.572	9.60	11609	7.5	T4	T3	T4
	210.222	8.48	11555	6.7	T4	T3	T4
	226.431	7.91	11609	6.2	T4	T3	T4
	255.133	6.99	11555	5.5	T4	T3	T4
GKS14-3N □□□ □K	12.435	52.31	4215	113	T3	T3	T3
1K 2K	13.525	52.31	4584	104	T3	T3	T3
200 225	16.646	46.22	4985	84	T3	T3	T3
400 450	18.311	43.61	5175	77	T3	T3	T3
	20.065	52.31	6801	70	T3	T3	T3
	22.609	52.49	7689	62	T3	T3	T3
	24.696	46.22	7396	57	T3	T3	T3

For dimensions, see page 6-86 onwards.

# Helical-bevel gearbox selection table

Gearboxes with mounting flange for Atex category 2GD, 3GD (zone 1, 21, 2, 22)

$M_2 \text{ perm} \leq 11784 \text{ Nm}$		GKS14-3N □□□						
Gearbox with	Mounting flange size Motor frame size Flange diameter	i	$P_1 \text{ perm}$ [kW]	$M_2 \text{ perm}$ [Nm]	$n_2$ [perm]	Temperature class		
						T3 (G) $\cong$ 190 °C (D) T4 (G) $\cong$ 125 °C (D)		
						Mounting position		
						A, B, E, F	C	D

## $n_1 = 1400 \text{ perm}$

GKS14-3N □□□	□K	27.165	43.61	7677	52	T3	T3	T3
	1K 2K	30.609	42.93	8514	46	T3	T3	T3
	200 225	34.692	37.46	8420	40	T3	T3	T3
	400 450	39.089	36.29	9191	36	T3	T3	T3
		42.531	32.89	9065	33	T3	T3	T3
		47.923	31.54	9792	29	T3	T3	T3
		56.251	27.49	10019	25	T3	T3	T3
		63.382	25.88	10627	22	T3	T3	T3

## $n_1 = 700 \text{ perm}$

GKS14-3N □□□	□G	56.251	8.87	6467	12	T4	T4	T4
	1G 2G 2G 3G	63.382	8.87	7287	11	T4	T4	T4
	132 100 112 132	68.942	7.62	6805	10	T4	T4	T4
	300 250 250 250	77.681	7.62	7668	9.0	T4	T4	T4
		90.551	5.97	7011	7.7	T4	T4	T4
		102.029	5.97	7900	6.9	T4	T4	T4
		109.896	4.99	7109	6.4	T4	T4	T4
		123.826	4.99	8010	5.7	T4	T4	T4
		138.913	4.01	7212	5.0	T4	T4	T4
		156.522	4.01	8126	4.5	T4	T4	T4
		186.572	4.80	11609	3.8	T4	T4	T4
		210.222	4.24	11555	3.3	T4	T4	T4
		226.431	3.96	11609	3.1	T4	T4	T4
		255.133	3.49	11555	2.7	T4	T4	T4
		286.219	3.13	11609	2.5	T4	T4	T4
		322.500	2.76	11555	2.2	T4	T4	T4
GKS14-3N □□□	□H	16.646	23.11	4985	42	T3	T3	T3
	1H 2H 3H	18.311	21.81	5175	38	T4	T3	T4
	160 180 132	24.696	23.11	7396	28	T3	T3	T3
	350 350 300	27.165	21.81	7677	26	T4	T3	T4
		30.609	21.47	8514	23	T4	T3	T4
		34.692	18.73	8420	20	T4	T3	T4
		39.089	18.14	9191	18	T4	T3	T4
		42.531	16.45	9065	17	T4	T3	T4
		47.923	15.77	9792	15	T4	T3	T4
		56.251	13.74	10019	12	T4	T3	T4
		63.382	12.94	10627	11	T4	T3	T4
		68.942	11.98	10705	10	T4	T3	T4
		77.681	11.22	11294	9.0	T4	T3	T4
		90.551	9.79	11488	7.7	T4	T3	T4
		102.029	8.80	11639	6.9	T4	T3	T4
		109.896	8.27	11784	6.4	T4	T3	T4
		123.826	7.25	11639	5.7	T4	T3	T4
		186.572	4.80	11609	3.8	T4	T3	T4
		210.222	4.24	11555	3.3	T4	T3	T4
		226.431	3.96	11609	3.1	T4	T3	T4
		255.133	3.49	11555	2.7	T4	T3	T4
GKS14-3N □□□	□K	12.435	26.16	4215	56	T3	T3	T3
	1K 2K	13.525	26.16	4584	52	T3	T3	T3
	200 225	16.646	23.11	4985	42	T3	T3	T3
	400 450	18.311	21.81	5175	38	T4	T3	T4
		20.065	26.16	6801	35	T3	T3	T3
		22.609	26.24	7689	31	T3	T3	T3
		24.696	23.11	7396	28	T3	T3	T3
		27.165	21.81	7677	26	T4	T3	T4
		30.609	21.47	8514	23	T4	T3	T4
		34.692	18.73	8420	20	T4	T3	T4
		39.089	18.14	9191	18	T4	T3	T4
		42.531	16.45	9065	17	T4	T3	T4
		47.923	15.77	9792	15	T4	T3	T4
		56.251	13.74	10019	12	T4	T3	T4
		63.382	12.94	10627	11	T4	T3	T4

For dimensions, see page 6-86 onwards.

# Helical-bevel gearbox selection table

Gearboxes with mounting flange for Atex category 2GD, 3GD (zone 1, 21, 2, 22)

$M_2 \text{ perm} \leq 11639 \text{ Nm}$		GKS14-4N □□□				
Gearbox with	Mounting flange size Motor frame size Flange diameter	i	$P_{1 \text{ perm}}$ [kW]	$M_2 \text{ perm}$ [Nm]	$n_2$ [perm]	Temperature class
						T3 (G) $\cong$ 190 °C (D) T4 (G) $\cong$ 125 °C (D)
						Mounting position
						A, B, E, F
						C
						D

## $n_1 = 1400 \text{ perm}$

GKS14-4N □□□ □D	□D	805.901	2.24	11488	1.7	T4	T4	T4
	1D 2D	908.058	2.01	11639	1.5	T4	T4	T4
	90 80	978.071	1.84	11488	1.4	T4	T4	T4
	160 160	1102.052	1.66	11639	1.3	T4	T4	T4
		1236.326	1.46	11488	1.1	T4	T4	T4
		1393.043	1.31	11639	1.0	T4	T4	T4
GKS14-4N □□□ □E	□E	97.467	6.60	4095	14	T4	T3	T4
	1E 1E 2E 3E 4E	109.822	6.60	4614	13	T4	T3	T4
	100 112 90 80 90	119.493	6.60	5021	12	T4	T3	T4
	160 160 160 160 200	134.640	6.60	5657	10	T4	T3	T4
		158.039	6.60	6640	8.9	T4	T3	T4
		178.072	6.60	7482	7.9	T4	T3	T4
		321.729	5.59	11454	4.4	T4	T4	T4
		362.512	4.99	11520	3.9	T4	T4	T4
		390.671	4.60	11454	3.6	T4	T4	T4
		440.193	4.11	11520	3.2	T4	T4	T4
		513.121	3.52	11488	2.7	T4	T4	T4
		578.164	3.16	11639	2.4	T4	T4	T4
		622.742	2.90	11488	2.3	T4	T4	T4
		701.681	2.60	11639	2.0	T4	T4	T4
		805.901	2.24	11488	1.7	T4	T4	T4
		908.058	2.01	11639	1.5	T4	T4	T4
		978.071	1.84	11488	1.4	T4	T4	T4
		1102.052	1.66	11639	1.3	T4	T4	T4
		1236.326	1.46	11488	1.1	T4	T4	T4
	1393.043	1.31	11639	1.0	T4	T4	T4	
GKS14-4N □□□ □F	□F	97.467	6.60	4095	14	T4	T3	T4
	1F 1F 2F 3F	109.822	6.60	4614	13	T4	T3	T4
	100 112 90 90	119.493	6.60	5021	12	T4	T3	T4
	160 160 160 200	134.640	6.60	5657	10	T4	T3	T4
		158.039	6.60	6640	8.9	T4	T3	T4
		178.072	6.60	7482	7.9	T4	T3	T4
		193.754	6.60	8141	7.2	T4	T4	T4
		218.315	6.60	9173	6.4	T4	T4	T4
		237.467	6.60	9978	5.9	T4	T4	T4
		267.568	6.60	11242	5.2	T4	T4	T4
		321.729	5.59	11454	4.4	T4	T4	T4
		362.512	4.99	11520	3.9	T4	T4	T4
		390.671	4.60	11454	3.6	T4	T4	T4
		440.193	4.11	11520	3.2	T4	T4	T4
		513.121	3.52	11488	2.7	T4	T4	T4
		578.164	3.16	11639	2.4	T4	T4	T4
		622.742	2.90	11488	2.3	T4	T4	T4
		701.681	2.60	11639	2.0	T4	T4	T4
		805.901	2.24	11488	1.7	T4	T4	T4
		908.058	2.01	11639	1.5	T4	T4	T4
	978.071	1.84	11488	1.4	T4	T4	T4	
	1102.052	1.66	11639	1.3	T4	T4	T4	
GKS14-4N □□□ □G	□G	97.467	14.81	9192	14	T4	T3	T4
	1G 2G 2G 3G	109.822	14.75	10318	13	T4	T3	T4
	132 100 112 132	119.493	13.00	9896	12	T4	T3	T4
	300 250 250 250	134.640	13.00	11150	10	T4	T3	T4
		158.039	10.41	10475	8.9	T4	T3	T4
		178.072	10.12	11477	7.9	T4	T3	T4
		193.754	9.24	11408	7.2	T4	T3	T4
		218.315	8.25	11477	6.4	T4	T3	T4
		237.467	7.57	11454	5.9	T4	T3	T4
		267.568	6.76	11520	5.2	T4	T3	T4
		321.729	5.59	11454	4.4	T4	T4	T4
		362.512	4.99	11520	3.9	T4	T4	T4
		390.671	4.60	11454	3.6	T4	T4	T4
		440.193	4.11	11520	3.2	T4	T4	T4

For dimensions, see page 6-86 onwards.

# Helical-bevel gearbox selection table

Gearboxes with mounting flange for Atex category 2GD, 3GD (zone 1, 21, 2, 22)

$M_2 \text{ perm} \leq 11639 \text{ Nm}$				GKS14-4N □□□								
Gearbox with	Mounting flange size			i	$P_1 \text{ perm}$	$M_2 \text{ perm}$	$n_2$	Temperature class				
	Motor frame size	Flange diameter						T3 (G) $\cong$ 190 °C (D) T4 (G) $\cong$ 125 °C (D)				
								Mounting position				
					[kW]	[Nm]	[perm]	A, B, E, F	C	D		
<b><math>n_1 = 1400 \text{ perm}</math></b>												
GKS14-4N □□□ □G	1G	2G	2G	3G	513.121	3.52	11488	2.7	T4	T4	T4	
	132	100	112	132	578.164	3.16	11639	2.4	T4	T4	T4	
	300	250	250	250	622.742	2.90	11488	2.3	T4	T4	T4	
					701.681	2.60	11639	2.0	T4	T4	T4	
GKS14-4N □□□ □H	1H	2H	3H		97.467	14.81	9192	14	T3	T3	T3	
	160	180	132		109.822	14.75	10318	13	T3	T3	T3	
	350	350	300		119.493	13.00	9896	12	T3	T3	T3	
					134.640	13.00	11150	10	T3	T3	T3	
					158.039	10.41	10475	8.9	T3	T3	T3	
					178.072	10.12	11477	7.9	T3	T3	T3	
					193.754	9.24	11408	7.2	T4	T3	T4	
					218.315	8.25	11477	6.4	T4	T3	T4	
					237.467	7.57	11454	5.9	T4	T3	T4	
					267.568	6.76	11520	5.2	T4	T3	T4	
	<b><math>n_1 = 700 \text{ perm}</math></b>											
GKS14-4N □□□ □D	1D	2D			805.901	1.12	11488	0.9	T4	T4	T4	
	90	80			908.058	1.01	11639	0.8	T4	T4	T4	
	160	160			978.071	0.92	11488	0.7	T4	T4	T4	
					1102.052	0.83	11639	0.6	T4	T4	T4	
					1236.326	0.73	11488	0.6	T4	T4	T4	
					1393.043	0.66	11639	0.5	T4	T4	T4	
GKS14-4N □□□ □E	1E	1E	2E	3E	4E	97.467	4.23	5249	7.2	T4	T4	T4
	100	112	90	80	90	109.822	4.23	5914	6.4	T4	T4	T4
	160	160	160	160	200	119.493	4.23	6435	5.9	T4	T4	T4
						134.640	4.23	7251	5.2	T4	T4	T4
						158.039	4.23	8511	4.4	T4	T4	T4
						178.072	4.23	9589	3.9	T4	T4	T4
						321.729	2.79	11454	2.2	T4	T4	T4
						362.512	2.49	11520	1.9	T4	T4	T4
						390.671	2.30	11454	1.8	T4	T4	T4
						440.193	2.05	11520	1.6	T4	T4	T4
						513.121	1.76	11488	1.4	T4	T4	T4
						578.164	1.58	11639	1.2	T4	T4	T4
						622.742	1.45	11488	1.1	T4	T4	T4
						701.681	1.30	11639	1.0	T4	T4	T4
						805.901	1.12	11488	0.9	T4	T4	T4
						908.058	1.01	11639	0.8	T4	T4	T4
						978.071	0.92	11488	0.7	T4	T4	T4
						1102.052	0.83	11639	0.6	T4	T4	T4
						1236.326	0.73	11488	0.6	T4	T4	T4
						1393.043	0.66	11639	0.5	T4	T4	T4
GKS14-4N □□□ □F	1F	1F	2F	3F	97.467	4.40	5460	7.2	T4	T4	T4	
	100	112	90	90	109.822	4.40	6153	6.4	T4	T4	T4	
	160	160	160	200	119.493	4.40	6694	5.9	T4	T4	T4	
					134.640	4.40	7543	5.2	T4	T4	T4	
					158.039	4.40	8854	4.4	T4	T4	T4	
					178.072	4.40	9976	3.9	T4	T4	T4	
					193.754	3.90	9619	3.6	T4	T4	T4	
					218.315	3.90	10838	3.2	T4	T4	T4	
					237.467	3.79	11454	3.0	T4	T4	T4	
					267.568	3.38	11520	2.6	T4	T4	T4	
					321.729	2.79	11454	2.2	T4	T4	T4	
					362.512	2.49	11520	1.9	T4	T4	T4	
					390.671	2.30	11454	1.8	T4	T4	T4	
					440.193	2.05	11520	1.6	T4	T4	T4	
					513.121	1.76	11488	1.4	T4	T4	T4	

For dimensions, see page 6-86 onwards.

# Helical-bevel gearbox selection table

Gearboxes with mounting flange for Atex category 2GD, 3GD (zone 1, 21, 2, 22)

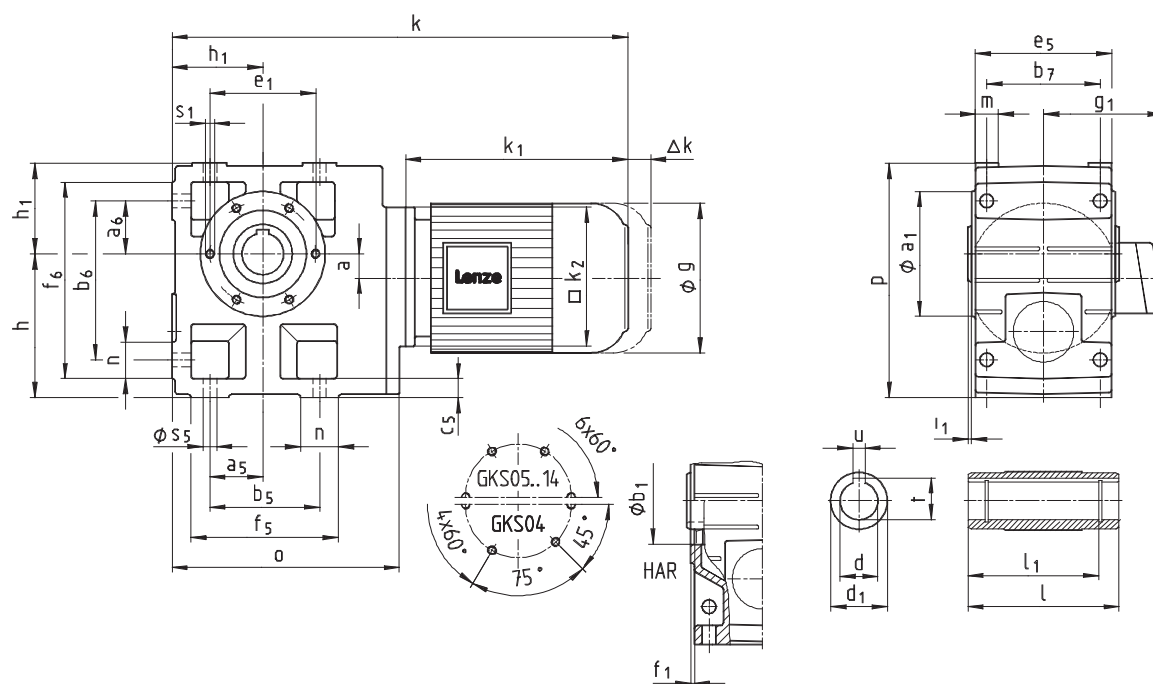
$M_2 \text{ perm} \leq 11639 \text{ Nm}$				GKS14-4N □□□							
Gearbox with	Mounting flange size			i	$P_{1 \text{ perm}}$	$M_2 \text{ perm}$	$n_2$	Temperature class			
	Motor frame size	Flange diameter						T3 (G) $\cong$ 190 °C (D) T4 (G) $\cong$ 125 °C (D)			
								Mounting position			
					[kW]	[Nm]	[perm]	A, B, E, F	C	D	
<b><math>n_1 = 700 \text{ perm}</math></b>											
GKS14-4N □□□ □F	1F	1F	2F	3F	578.164	1.58	11639	1.2	T4	T4	T4
	100	112	90	90	622.742	1.45	11488	1.1	T4	T4	T4
	160	160	160	200	701.681	1.30	11639	1.0	T4	T4	T4
					805.901	1.12	11488	0.9	T4	T4	T4
					908.058	1.01	11639	0.8	T4	T4	T4
					978.071	0.92	11488	0.7	T4	T4	T4
					1102.052	0.83	11639	0.6	T4	T4	T4
	GKS14-4N □□□ □G	1G	2G	2G	3G	97.467	7.40	9192	7.2	T4	T4
132		100	112	132	109.822	7.38	10318	6.4	T4	T4	T4
300		250	250	250	119.493	6.50	9896	5.9	T4	T4	T4
					134.640	6.50	11150	5.2	T4	T4	T4
					158.039	5.20	10475	4.4	T4	T4	T4
					178.072	5.06	11477	3.9	T4	T4	T4
					193.754	4.62	11408	3.6	T4	T4	T4
					218.315	4.13	11477	3.2	T4	T4	T4
					237.467	3.79	11454	3.0	T4	T4	T4
					267.568	3.38	11520	2.6	T4	T4	T4
					321.729	2.79	11454	2.2	T4	T4	T4
					362.512	2.49	11520	1.9	T4	T4	T4
					390.671	2.30	11454	1.8	T4	T4	T4
					440.193	2.05	11520	1.6	T4	T4	T4
					513.121	1.76	11488	1.4	T4	T4	T4
					578.164	1.58	11639	1.2	T4	T4	T4
					622.742	1.45	11488	1.1	T4	T4	T4
				701.681	1.30	11639	1.0	T4	T4	T4	
GKS14-4N □□□ □H	1H	2H	3H		97.467	7.40	9192	7.2	T4	T3	T4
	160	180	132		109.822	7.38	10318	6.4	T4	T3	T4
	350	350	300		119.493	6.50	9896	5.9	T4	T3	T4
					134.640	6.50	11150	5.2	T4	T3	T4
					158.039	5.20	10475	4.4	T4	T3	T4
					178.072	5.06	11477	3.9	T4	T3	T4
					193.754	4.62	11408	3.6	T4	T3	T4
					218.315	4.13	11477	3.2	T4	T3	T4
					237.467	3.79	11454	3.0	T4	T3	T4
					267.568	3.38	11520	2.6	T4	T3	T4

For dimensions, see page 6-86 onwards.

# Helical-bevel gearbox dimensions

Geared motors for Atex category 2G, 2D, 3G, 3D (zone 1, 21, 2, 22)

## GKS□□-3M H□R



# Helical-bevel gearbox dimensions

Geared motors for Atex category 2G, 2D, 3G, 3D (zone 1, 21, 2, 22)

Geared motor							Motor frame size										
GKS□□-3M H□R							063-12	063-32	071-12	071-32	080-12	080-32	090-12 090-32	100-12	100-32	112-22	
Motor		g					129		142		156		176		194		233
		g <sub>1</sub> Without options					125		127		134		128		139		164
		k <sub>1</sub>					169	181	181	187	200	220	242	280	296	316	
		k <sub>2</sub>					120		145		145		180	180		222	
Gearbox size	Gearbox						Overall length										
	o	l*	p*	h*	h <sub>1</sub>	a	k										
04	203	115	171	100	71	20	381	393	393	399	417	437	469				
05	232	140	205	125	80	23	401	413	413	419	437	457	489	527	543		
06	291	160	250	150	100	28	457	469	469	475	493	513	545	583	599	625	
07	354	200	310	190	120	34					549	569	601	639	655	681	
09	429	240	386	236	150	41							672	710	726	752	
11	527	290	485	300	185	54								801	817	843	
14	636	350	605	375	230	67										942	

Gearbox size	Foot											
	a <sub>5</sub>	a <sub>6</sub>	b <sub>5</sub>	b <sub>6</sub>	b <sub>7</sub>	c <sub>5</sub>	e <sub>5</sub>	f <sub>5</sub>	f <sub>6</sub>	n	m	s <sub>5</sub>
04	45	45	110	119	85	14	105	132	141	22	21	9
05	47.5	47.5	115	140	105	17	127	144	169	29	21	11
06	60	60	155	170	120	20	145	191	206	36	23	14
07	70	70	190	210	150	25	180	235	255	45	28	18
09	90	90	240	266	185	30	222	300	326	60	37	22
11	105	105	290	325	225	40	270	363	398	73	43	26
14	135	135	360	415	275	50	328	442	497	82	52	33

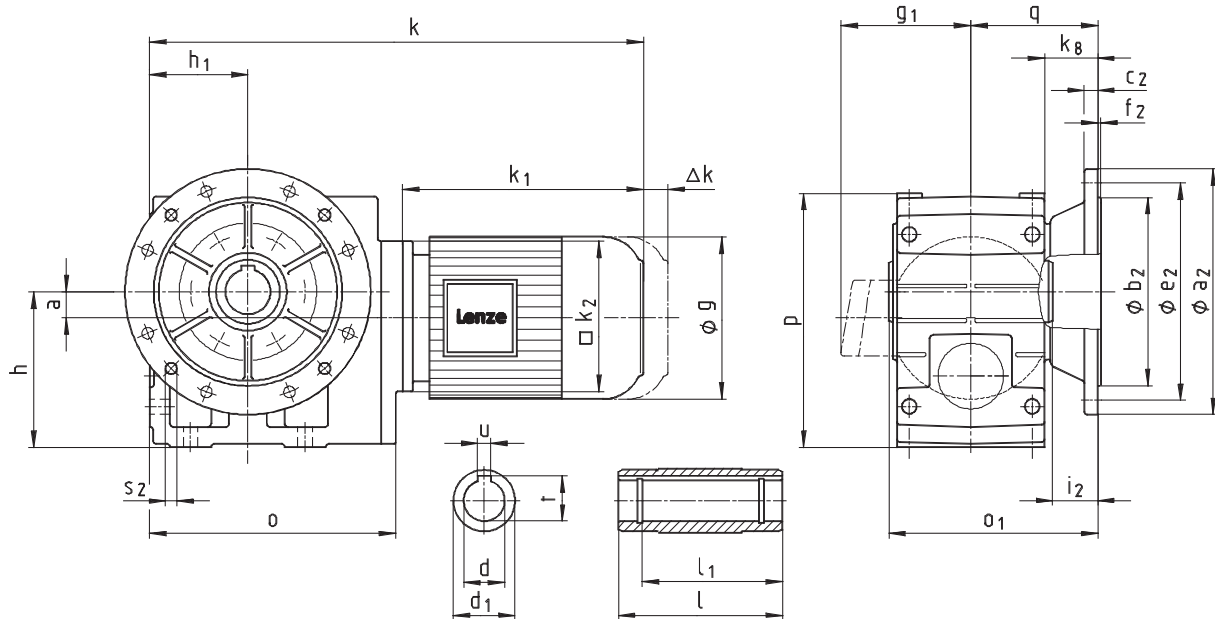
Gearbox size	Hollow shaft						Threaded pitch circle					
	d H7	l	d <sub>1</sub>	l <sub>1</sub>	u J59	t +0.2	a <sub>1</sub>	b <sub>1</sub> H7	e <sub>1</sub>	f <sub>1</sub>	i <sub>1</sub>	s <sub>1</sub>
04	25 30	115	45	100	8 8	28.3 33.3	105	75	90	3	2.5	M6x12
05	30 35	140	50	124	8 10	33.3 38.3	118	80	100	4	4	M8x15
06	40 45	160	65	140	12 14	43.3 48.8	140	100	120	4	5	M10x16
07	50 55	200	75	175	14 16	53.8 59.3	165	115	140	5	5	M12x18
09	60 70	240	95	210	18 20	64.4 74.9	205	145	175	6	5	M16x24
11	70 80	290	105	250	20 22	74.9 85.4	240	140	205	6	6	M20x32
14	100	350	135	305	28	106.4	290	170	250	6	7	M24x35

Dimensions in [mm] \* Observe dimension k<sub>2</sub>; with gearbox size 04 and motor frame size 090, dimension k<sub>2</sub>/2 > h-a.

# Helical-bevel gearbox dimensions

Geared motors for Atex category 2G, 2D, 3G, 3D (zone 1, 21, 2, 22)

## GKS□□-3M HAK





# Helical-bevel gearbox dimensions

Geared motors for Atex category 2G, 2D, 3G, 3D (zone 1, 21, 2, 22)



Geared motor									Motor frame size												
<b>GKS□□-3M HAK</b>									063-12	063-32	071-12	071-32	080-12	080-32	090-12 090-32	100-12	100-32	112-22			
Motor		g							129		142		156		176	194		233			
		g <sub>1</sub> Without options							125		127		134		128	139		164			
		k <sub>1</sub>		169		181		181		187		200		220		242	280		296		316
		k <sub>2</sub>		120		145		145		180		180		222							
Gearbox size	Gearbox								Overall length												
	o	o <sub>1</sub> *	p*	h*	h <sub>1</sub>	a	k <sub>g</sub>	q	k												
04	203	148	171	100	71	20	38	90.5	381	393	393	399	417	437	469						
05	232	173	205	125	80	23	40	103	401	413	413	419	437	457	489	527	543				
06	291	201	250	150	100	28	49	121	457	469	469	475	493	513	545	583	599	625			
07	354	255	310	190	120	34	65	155					549	569	601	639	655	681			
09	429	300	386	236	150	41	69	180						672	710	726	752				
11	527	350	485	300	185	54	70	205							801	817	843				
14	636	410	605	375	230	67	71	235									942				

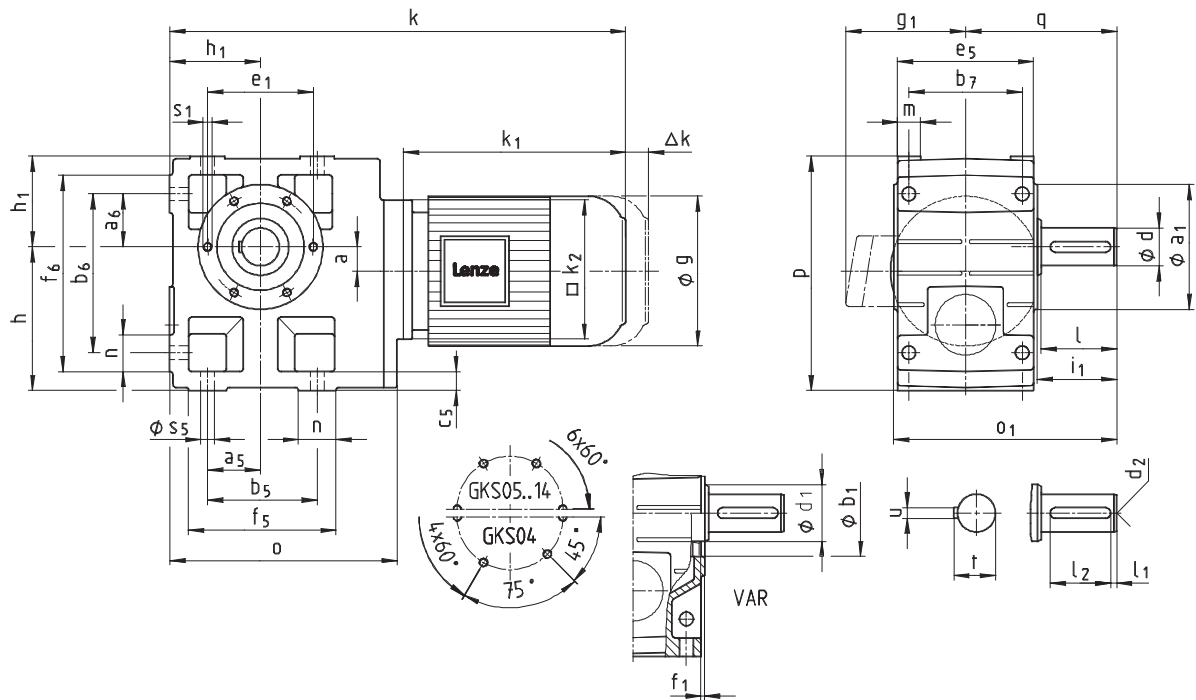
Gearbox size	Hollow shaft						Output flange							
	d H7	l	d <sub>1</sub>	l <sub>1</sub>	u JS9	t +0.2	a <sub>2</sub>	b <sub>2</sub> j7	c <sub>2</sub>	e <sub>2</sub>	f <sub>2</sub>	i <sub>2</sub>	s <sub>2</sub>	
04	25 30	115	45	100	8 8	28.3 33.3	160	110	10	130	3.5	33	4 x 9	
05	30 35	140	50	124	8 10	33.3 38.3	200	130	12	165	3.5	33	4 x 11	
06	40 45	160	65	140	12 14	43.3 48.8	200 250	130 180	12 15	165 215	3.5 4	42 41	4 x 11 4 x 14	
07	50 55	200	75	175	14 16	53.8 59.3	250 300	180 230	15 17	215 265	4	55	4 x 14	
09	60 70	240	95	210	18 20	64.4 74.9	350	250	18	300	4	60	4 x 17.5	
11	70 80	290	105	250	20 22	74.9 85.4	400 450	300 350	20 22	350 400	5	60	4 x 17.5 8 x 17.5	
14	100	350	135	305	28	106.4	450	350	22	400	5	60	8 x 17.5	

Dimensions in [mm] \* Observe dimension k<sub>2</sub>; with gearbox size 04 and motor frame size 090, dimension k<sub>2</sub>/2 > h-a.

# Helical-bevel gearbox dimensions

Geared motors for Atex category 2G, 2D, 3G, 3D (zone 1, 21, 2, 22)

## GKS□□-3M V□R



# Helical-bevel gearbox dimensions

Geared motors for Atex category 2G, 2D, 3G, 3D (zone 1, 21, 2, 22)



Geared motor									Motor frame size													
GKS□□-3M V□R									063-12	063-32	071-12	071-32	080-12	080-32	090-12 090-32	100-12	100-32	112-22				
Motor		g							129		142		156		176		194		233			
		g <sub>1</sub> Without options							125		127		134		128		139		164			
		k <sub>1</sub>		169		181		181		187		200		220		242		280		296		316
		k <sub>2</sub>		120		145		145		180		180		180		180		222				
Gearbox size	Gearbox								Overall length													
	o	o <sub>1</sub> *	p*	h*	h <sub>1</sub>	a	q	k														
04	203	163	171	100	71	20	107.5	381	393	393	399	417	437	469								
05	232	197	205	125	80	23	130	401	413	413	419	437	457	489	527	543						
06	291	236	250	150	100	28	160	457	469	469	475	493	513	545	583	599	625					
07	354	296	310	190	120	34	200					549	569	601	639	655	681					
09	429	356	386	236	150	41	240							672	710	726	752					
11	527	445	485	300	185	54	305								801	817	843					
14	636	544	605	375	230	67	375										942					

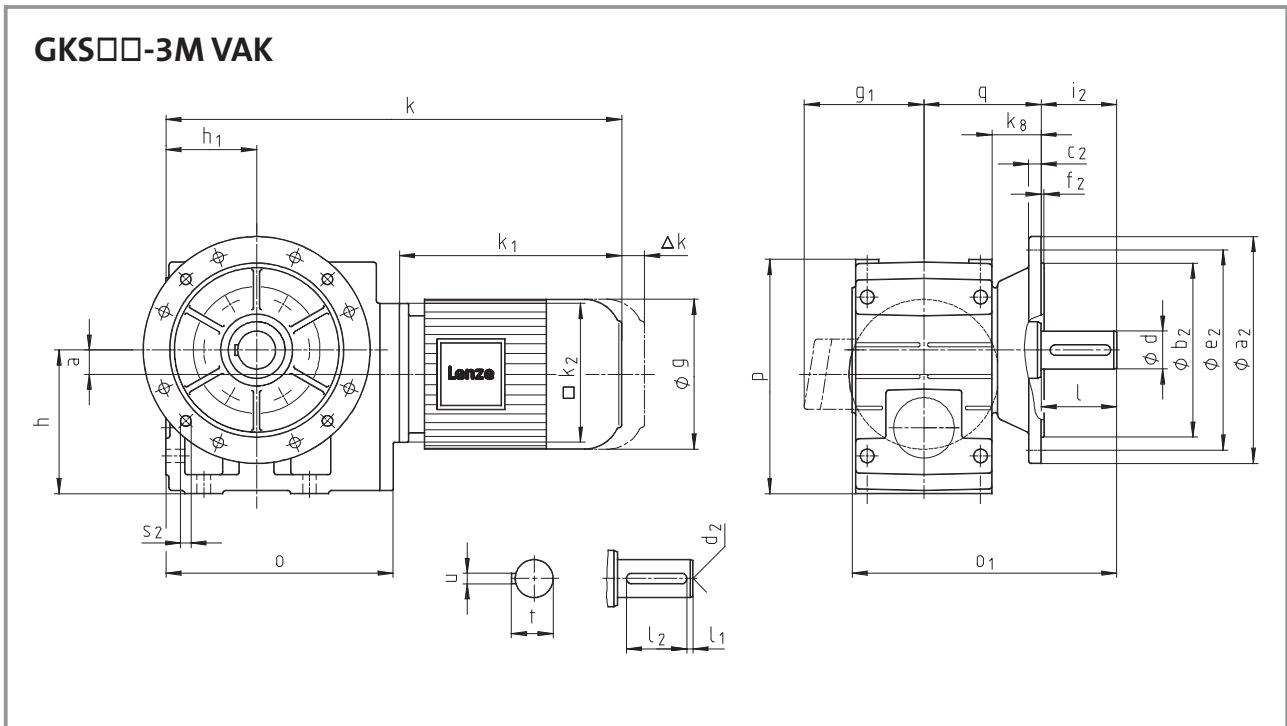
Gearbox size	Foot											
	a <sub>5</sub>	a <sub>6</sub>	b <sub>5</sub>	b <sub>6</sub>	b <sub>7</sub>	c <sub>5</sub>	e <sub>5</sub>	f <sub>5</sub>	f <sub>6</sub>	n	m	s <sub>5</sub>
04	45	45	110	119	85	14	105	132	141	22	21	9
05	47.5	47.5	115	140	105	17	127	144	169	29	21	11
06	60	60	155	170	120	20	145	191	206	36	23	14
07	70	70	190	210	150	25	180	235	255	45	28	18
09	90	90	240	266	185	30	222	300	326	60	37	22
11	105	105	290	325	225	40	270	363	398	73	43	26
14	135	135	360	415	275	50	328	442	497	82	52	33

Gearbox size	Solid shaft								Threaded pitch circle					
	d	l	d <sub>1</sub>	l <sub>1</sub>	l <sub>2</sub>	d <sub>2</sub>	u	t	a <sub>1</sub>	b <sub>1</sub> H7	e <sub>1</sub>	f <sub>1</sub>	i <sub>1</sub>	s <sub>1</sub>
04	25	50	45	4	40	M10	8	28	105	75	90	3	52.5	M6x12
05	30	60	50	6	45	M10	8	33	118	80	100	4	64	M8x15
06	40	80	65	7	63	M16	12	43	140	100	120	4	85	M10x16
07	50	100	75	8	80	M16	14	53.5	165	115	140	5	105	M12x18
09	60	120	95	8	100	M20	18	64	205	145	175	6	125	M16x24
11	80	160	105	15	125	M20	22	85	240	140	205	6	166	M20x32
14	100	200	135	18	160	M24	28	106	290	170	250	6	207	M24x35

Dimensions in [mm]    d ≤ 50 mm: k6    \* Observe dimension k<sub>2</sub>; with gearbox size 04 and motor frame size 090, dimension k<sub>2</sub>/2 > h-a.  
d > 50 mm: m6

# Helical-bevel gearbox dimensions

Geared motors for Atex category 2G, 2D, 3G, 3D (zone 1, 21, 2, 22)



# Helical-bevel gearbox dimensions

Geared motors for Atex category 2G, 2D, 3G, 3D (zone 1, 21, 2, 22)



Geared motor										Motor frame size													
<b>GKS□□-3M VAK</b>										063-12	063-32	071-12	071-32	080-12	080-32	090-12 090-32	100-12	100-32	112-22				
Motor		g								129		142		156		176		194		233			
		g <sub>1</sub> Without options								125		127		134		128		139		164			
		k <sub>1</sub>		169		181		181		187		200		220		242		280		296		316	
		k <sub>2</sub>		120		145		145		180		180		222									
Gearbox size	Gearbox									Overall length													
	o	o <sub>1</sub> *	p*	h*	h <sub>1</sub>	a	k <sub>g</sub>	q	k														
04	203	196	171	100	71	20	38	90.5	381	393	393	399	417	437	469								
05	232	230	205	125	80	23	40	103	401	413	413	419	437	457	489	527	543						
06	291	277	250	150	100	28	49	121	457	469	469	475	493	513	545	583	599	625					
07	354	351	310	190	120	34	65	155					549	569	601	639	655	681					
09	429	416	386	236	150	41	69	180						672	710	726	752						
11	527	505	485	300	185	54	70	205							801	817	843						
14	636	604	605	375	230	67	71	235									942						

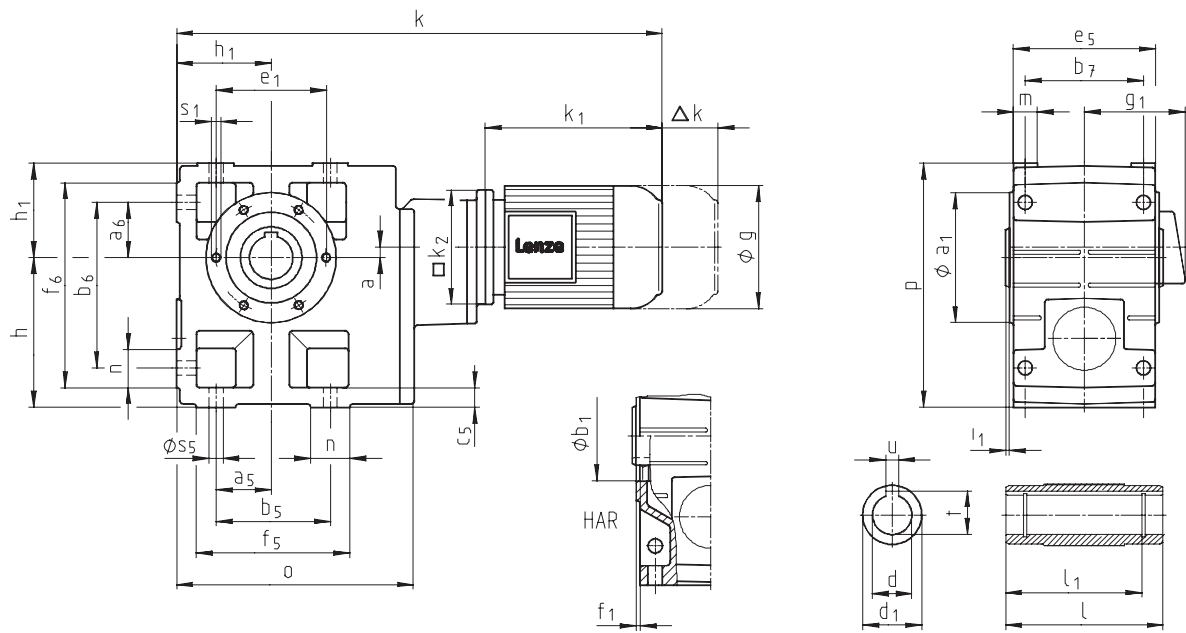
Gearbox size	Solid shaft								Output flange						
	d	l	l <sub>1</sub>	l <sub>2</sub>	d <sub>2</sub>	u	t	a <sub>2</sub>	b <sub>2</sub> j7	c <sub>2</sub>	e <sub>2</sub>	f <sub>2</sub>	i <sub>2</sub>	s <sub>2</sub>	
04	25	50	4	40	M10	8	28	160	110	10	130	3.5	50	4 x 9	
05	30	60	6	45	M10	8	33	200	130	12	165	3.5	60	4 x 11	
06	40	80	7	63	M16	12	43	250	180	15	215	4	80	4 x 14	
07	50	100	8	80	M16	14	53.5	250 300	180 230	15 17	215 265	4	100	4 x 14	
09	60	120	8	100	M20	18	64	350	250	18	300	4	120	4 x 17.5	
11	80	160	15	125	M20	22	85	400 450	300 350	20 22	350 400	5	160	4 x 17.5 8 x 17.5	
14	100	200	18	160	M24	28	106	450	350	22	400	5	200	8 x 17.5	

Dimensions in [mm]    d ≤ 50 mm: k6    \* Observe dimension k<sub>2</sub>; with gearbox size 04 and motor frame size 090, dimension k<sub>2</sub>/2 > h-a.  
d > 50 mm: m6

# Helical-bevel gearbox dimensions

Geared motors for Atex category 2G, 2D, 3G, 3D (zone 1, 21, 2, 22)

## GKS□□-4M H□R



# Helical-bevel gearbox dimensions

Geared motors for Atex category 2G, 2D, 3G, 3D (zone 1, 21, 2, 22)

Geared motor							Motor frame size										
GKS□□-4M H□R							063-12	063-32	071-12	071-32	080-12	080-32	090-12 090-32	100-12	100-32	112-22	
Motor		g					129		142		156		176		194		233
		g <sub>1</sub> Without options					125		127		134		128		139		164
		k <sub>1</sub>					169	181	181	187	200	220	242	280	296	316	
		k <sub>2</sub>					120		145		145		180	180		222	
Gearbox size	Gearbox						Overall length										
	o	l*	p*	h	h <sub>1</sub>	a	k										
05	226	140	205	125	80	13	477	489	489	495	513	533					
06	288	160	250	150	100	8	550	562	562	568	586	606	638				
07	351	200	310	190	120	11	617	629	629	635	653	673	705	743	759		
09	426	240	386	236	150	15	706	718	718	724	742	762	794	832	848	874	
11	523	290	485	300	185	16					852	872	904	942	958	984	
14	632	350	605	375	230	22							1037	1075	1091	1117	

Gearbox size	Foot											
	a <sub>5</sub>	a <sub>6</sub>	b <sub>5</sub>	b <sub>6</sub>	b <sub>7</sub>	c <sub>5</sub>	e <sub>5</sub>	f <sub>5</sub>	f <sub>6</sub>	n	m	s <sub>5</sub>
05	47.5	47.5	115	140	105	17	127	144	169	29	21	11
06	60	60	155	170	120	20	145	191	206	36	23	14
07	70	70	190	210	150	25	180	235	255	45	28	18
09	90	90	240	266	185	30	222	300	326	60	37	22
11	105	105	290	325	225	40	270	363	398	73	43	26
14	135	135	360	415	275	50	328	442	497	82	52	33

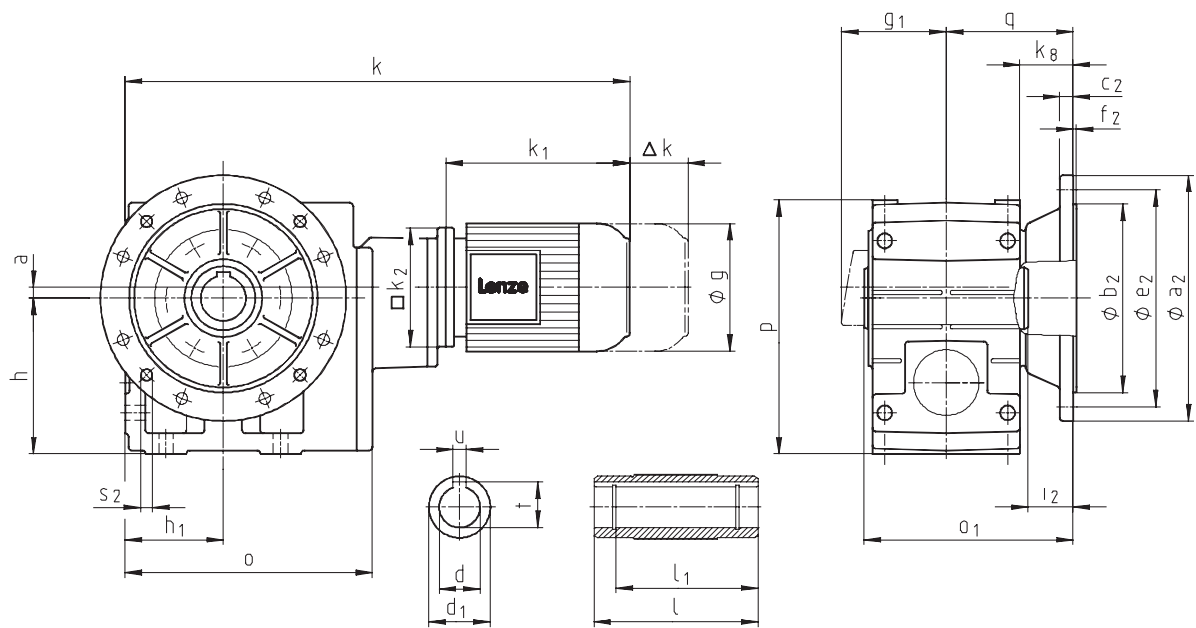
Gearbox size	Hollow shaft						Threaded pitch circle					
	d H7	l	d <sub>1</sub>	l <sub>1</sub>	u JS9	t +0.2	a <sub>1</sub>	b <sub>1</sub> H7	e <sub>1</sub>	f <sub>1</sub>	i <sub>1</sub>	s <sub>1</sub> 6 x 60°
05	30 35	140	50	124	8 10	33.3 38.3	118	80	100	4	4	M8x15
06	40 45	160	65	140	12 14	43.3 48.8	140	100	120	4	5	M10x16
07	50 55	200	75	175	14 16	53.8 59.3	165	115	140	5	5	M12x18
09	60 70	240	95	210	18 20	64.4 74.9	205	145	175	6	5	M16x24
11	70 80	290	105	250	20 22	74.9 85.4	240	140	205	6	6	M20x32
14	100	350	135	305	28	106.4	290	170	250	6	7	M24x35

Dimensions in [mm] \* Observe dimension k<sub>2</sub>.

# Helical-bevel gearbox dimensions

Geared motors for ATEX category 2G, 2D, 3G, 3D (zone 1, 21, 2, 22)

## GKS□□-4M HAK





# Helical-bevel gearbox dimensions

Geared motors for Atex category 2G, 2D, 3G, 3D (zone 1, 21, 2, 22)

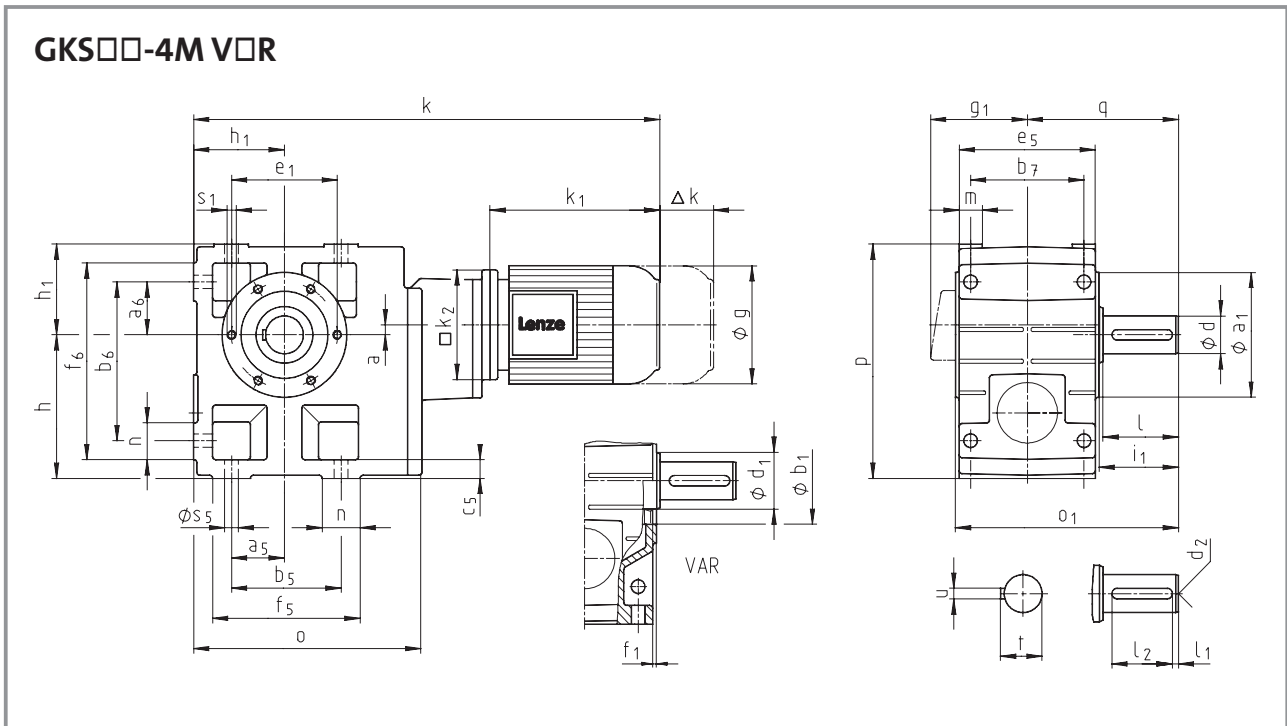
Geared motor									Motor frame size										
<b>GKS□□-4M HAK</b>									063-12	063-32	071-12	071-32	080-12	080-32	090-12 090-32	100-12	100-32	112-22	
Motor		<b>g</b>							129		142		156		176		194		233
		<b>g<sub>1</sub></b> Without options							125		127		134		128		139		164
		<b>k<sub>1</sub></b>							169	181	181	187	200	220	242	280	296	316	
		<b>k<sub>2</sub></b>							120		145		145		180	180		222	
Gearbox size	Gearbox								Overall length										
	o	o <sub>1</sub> *	p*	h	h <sub>1</sub>	a	k <sub>g</sub>	q	k										
05	226	173	205	125	80	13	40	103	477	489	489	495	513	533					
06	288	201	250	150	100	8	49	121	550	562	562	568	586	606	638				
07	351	255	310	190	120	11	65	155	617	629	629	635	653	673	705	743	759		
09	426	300	386	236	150	15	69	180	706	718	718	724	742	762	794	832	848	874	
11	523	350	485	300	185	16	70	205				852	872	904	942	958	984		
14	632	410	605	375	230	22	71	235						1037	1075	1091	1117		

Gearbox size	Hollow shaft						Output flange						
	d H7	l	d <sub>1</sub>	l <sub>1</sub>	u JS9	t +0.2	a <sub>2</sub>	b <sub>2</sub> j7	c <sub>2</sub>	e <sub>2</sub>	f <sub>2</sub>	i <sub>2</sub>	s <sub>2</sub>
05	30 35	140	50	124	8 10	33.3 38.3	200	130	12	165	3.5	33	4 x 11
06	40 45	160	65	140	12 14	43.3 48.8	200 250	130 180	12 15	165 215	3.5 4	42 41	4 x 11 4 x 14
07	50 55	200	75	175	14 16	53.8 59.3	250 300	180 230	15 17	215 265	4	55	4 x 14
09	60 70	240	95	210	18 20	64.4 74.9	350	250	18	300	4	60	4 x 17.5
11	70 80	290	105	250	20 22	74.9 85.4	400 450	300 350	20 22	350 400	5	60	4 x 17.5 8 x 17.5
14	100	350	135	305	28	106.4	450	350	22	400	5	60	8 x 17.5

Dimensions in [mm] \* Observe dimension k<sub>2</sub>.

# Helical-bevel gearbox dimensions

Geared motors for Atex category 2G, 2D, 3G, 3D (zone 1, 21, 2, 22)



# Helical-bevel gearbox dimensions

Geared motors for Atex category 2G, 2D, 3G, 3D (zone 1, 21, 2, 22)

Geared motor								Motor frame size															
<b>GKS□□-4M V□R</b>								063-12	063-32	071-12	071-32	080-12	080-32	090-12 090-32	100-12	100-32	112-22						
Motor		<b>g</b>						129		142		156		176		194		233					
		<b>g<sub>1</sub></b> Without options						125		127		134		128		139		164					
		<b>k<sub>1</sub></b>		169		181		181		187		200		220		242		280		296		316	
		<b>k<sub>2</sub></b>		120		145		145		180		180		180		180		180		222			
Gearbox size	Gearbox							Overall length															
	o	o <sub>1</sub> *	p*	h	h <sub>1</sub>	a	q	k															
05	226	197	205	125	80	13	130	477	489	489	495	513	533										
06	288	236	250	150	100	8	160	550	562	562	568	586	606	638									
07	351	296	310	190	120	11	200	617	629	629	635	653	673	705	743	759							
09	426	356	386	236	150	15	240	706	718	718	724	742	762	794	832	848	874						
11	523	445	485	300	185	16	305					852	872	904	942	958	984						
14	632	544	605	375	230	22	375							1037	1075	1091	1117						

Gearbox size	Foot											
	a <sub>5</sub>	a <sub>6</sub>	b <sub>5</sub>	b <sub>6</sub>	b <sub>7</sub>	c <sub>5</sub>	e <sub>5</sub>	f <sub>5</sub>	f <sub>6</sub>	n	m	s <sub>5</sub>
05	47.5	47.5	115	140	105	17	127	144	169	29	21	11
06	60	60	155	170	120	20	145	191	206	36	23	14
07	70	70	190	210	150	25	180	235	255	45	28	18
09	90	90	240	266	185	30	222	300	326	60	37	22
11	105	105	290	325	225	40	270	363	398	73	43	26
14	135	135	360	415	275	50	328	442	497	82	52	33

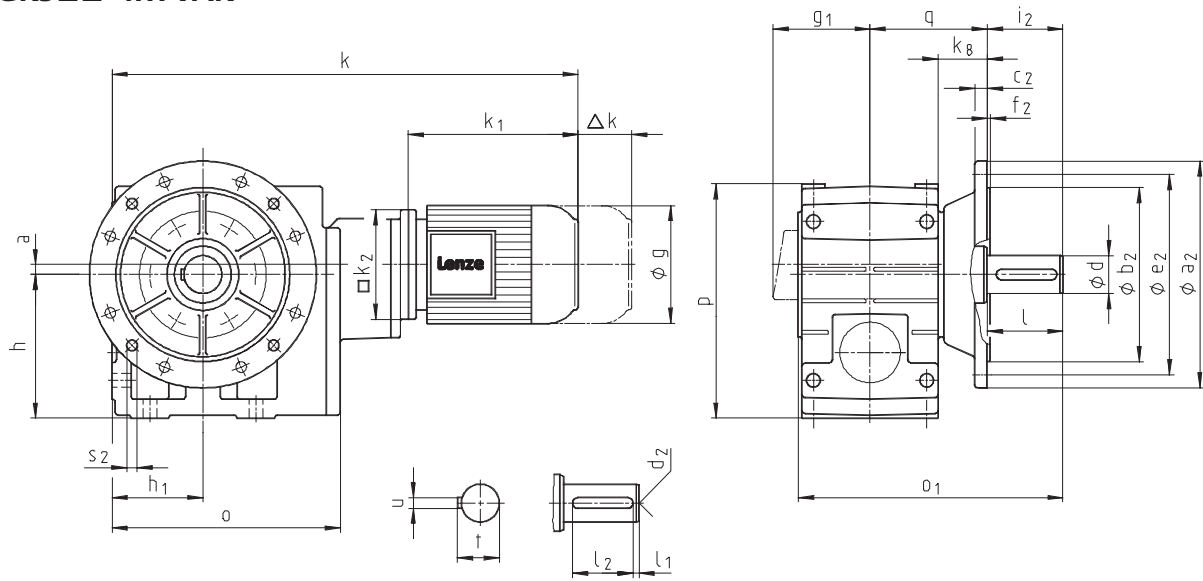
Gearbox-size	Solid shaft								Threaded pitch circle					
	d	l	d <sub>1</sub>	l <sub>1</sub>	l <sub>2</sub>	d <sub>2</sub>	u	t	a <sub>1</sub>	b <sub>1</sub> H7	e <sub>1</sub>	f <sub>1</sub>	i <sub>1</sub>	s <sub>1</sub> 6 x 60°
05	30	60	50	6	45	M10	8	33	118	80	100	4	64	M8x15
06	40	80	65	7	63	M16	12	43	140	100	120	4	85	M10x16
07	50	100	75	8	80	M16	14	53.5	165	115	140	5	105	M12x18
09	60	120	95	8	100	M20	18	64	205	145	175	6	125	M16x24
11	80	160	105	15	125	M20	22	85	240	140	205	6	166	M20x32
14	100	200	135	18	160	M24	28	106	290	170	250	6	207	M24x35

Dimensions in [mm]    d ≤ 50 mm: k6    \* Observe dimension k<sub>2</sub>.  
                                   d > 50 mm: m6

# Helical-bevel gearbox dimensions

Geared motors for Atex category 2G, 2D, 3G, 3D (zone 1, 21, 2, 22)

## GKS□□-4M VAK



# Helical-bevel gearbox dimensions

Geared motors for Atex category 2G, 2D, 3G, 3D (zone 1, 21, 2, 22)



Geared motor									Motor frame size										
<b>GKS□□-4M VAK</b>									063-12	063-32	071-12	071-32	080-12	080-32	090-12 090-32	100-12	100-32	112-22	
Motor		g							129		142		156		176		194		233
		g <sub>1</sub> Without options							125		127		134		128		139		164
		k <sub>1</sub>							169	181	181	187	200	220	242	280	296	316	
		k <sub>2</sub>							120		145		145		180	180		222	
Gearbox size	Gearbox								Overall length										
	o	o <sub>1</sub> *	p*	h	h <sub>1</sub>	a	k <sub>g</sub>	q	k										
05	226	230	205	125	80	13	40	103	477	489	489	495	513	533					
06	288	277	250	150	100	8	49	121	550	562	562	568	586	606	638				
07	351	351	310	190	120	11	65	155	617	629	629	635	653	673	705	743	759		
09	426	416	386	236	150	15	69	180	706	718	718	724	742	762	794	832	848	874	
11	523	505	485	300	185	16	70	205				852	872	904	942	958	984		
14	632	604	605	375	230	22	71	235						1037	1075	1091	1117		

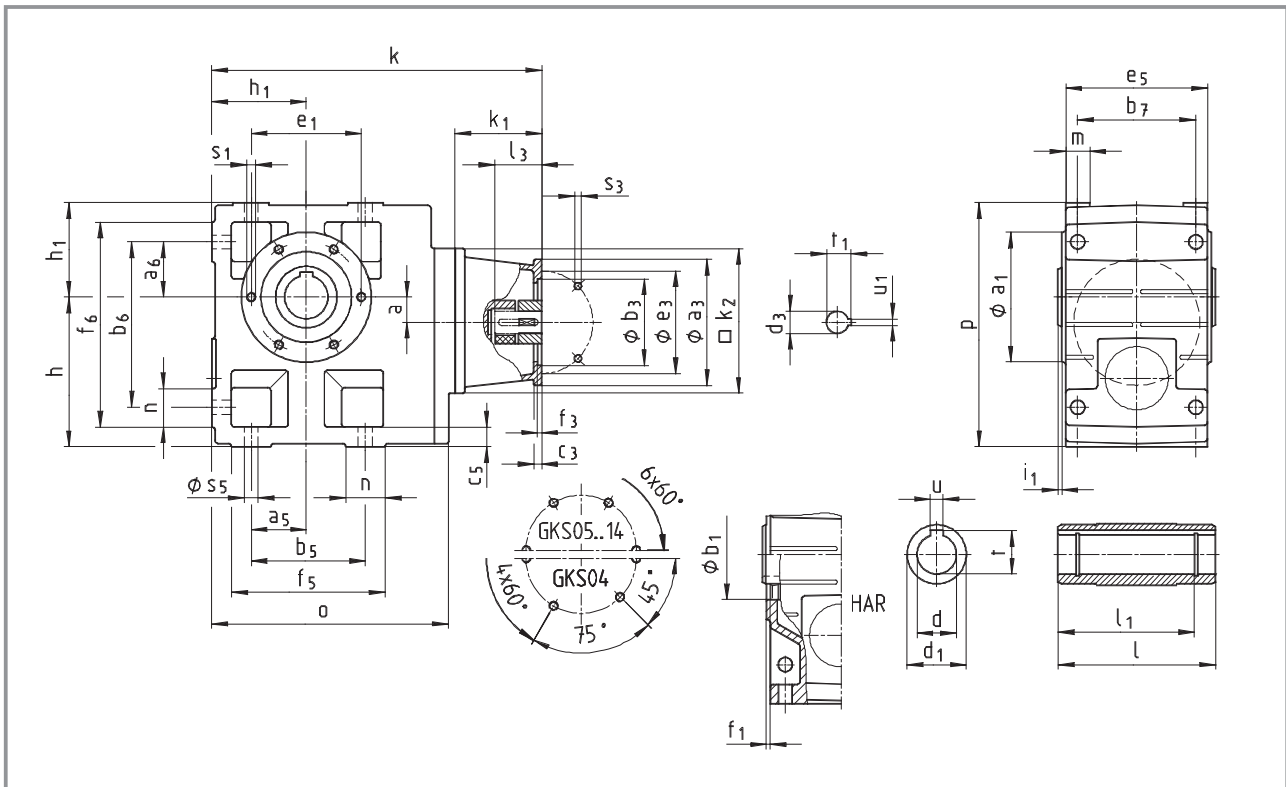
Gearbox size	Solid shaft								Output flange						
	d	l	l <sub>1</sub>	l <sub>2</sub>	d <sub>2</sub>	u	t	a <sub>2</sub>	b <sub>2</sub> j7	c <sub>2</sub>	e <sub>2</sub>	f <sub>2</sub>	i <sub>2</sub>	s <sub>2</sub>	
05	30	60	6	45	M10	8	33	200	130	12	165	3.5	60	4 x 11	
06	40	80	7	63	M16	12	43	250	180	15	215	4	80	4 x 14	
07	50	100	8	80	M16	14	53.5	250 300	180 230	15 17	215 265	4	100	4 x 14	
09	60	120	8	100	M20	18	64	350	250	18	300	4	120	4 x 17.5	
11	80	160	15	125	M20	22	85	400 450	300 350	20 22	350 400	5	160	4 x 17.5 8 x 17.5	
14	100	200	18	160	M24	28	106	450	350	22	400	5	200	8 x 17.5	

Dimensions in [mm] d ≤ 50 mm: k6  
d > 50 mm: m6

\* Observe dimension k<sub>2</sub>.

# Helical-bevel gearbox dimensions

Gearboxes with mounting flange for Atex category 2GD, 3GD (zone 1, 21, 2, 22)



Gearbox <b>GKS□□-3N HOR</b>		Drive size											
		1A	1B	2B	1C	2C	3C	4C	6C	7C	1D	2D	
		Corresponds to IEC motor											
		63	71	63	80	71	71	71	63	80	90	80	
Housing	k <sub>1</sub>	75	77	75	91						115		
	k <sub>2</sub>	120	145	120	145						180		
Flange	a <sub>3</sub>	90	105	90	160	160	105	120	160	120	160		
	b <sub>3</sub> H8	60	70	60	110	110	70	80	110	80	110		
	c <sub>3</sub>	7	8	7	10	10	8	8	10	8	10		
	e <sub>3</sub>	75	85	75	130	130	85	100	130	100	130		
	f <sub>3</sub>	3	3	4	4	3	3.5	4	3.5	4			
	s <sub>3</sub> 4 x	5.5	6.6	5.5	9	9	6.6	6.6	9	6.6	9		
Required motor shafts	d <sub>3</sub>	11	14	11	19	14	14	14	11	19	24	19	
	l <sub>3</sub>	min	23	30	23	25				23	25	50	40
		max.	23	30	23	40				40	40	50	50
	U <sub>1</sub>	4	5	4	6	5	5	5	4	6	8	6	
	t <sub>1</sub>	12.5	16	12.5	21.5	16	16	16	12.5	21.5	27	21.5	
Gearbox size	Overall length k												
	04	287	294	287	308						342		
	05		314		328						362		
	06		370		384						418		
	07				440						474		
	09										545		

# Helical-bevel gearbox dimensions

Gearboxes with mounting flange for Atex category 2GD, 3GD (zone 1, 21, 2, 22)

Gearbox <b>GKS□□-3N H□R</b>		Drive size														
		1E	2E	3E	4E	1F	2F	3F	1G	2G	3G	1H	2H	3H	1K	2K
		Corresponds to IEC motor														
		100 112	90	80	90	100 112	90	90	132	100 112	132	160	180	132	200	225
Housing	k <sub>1</sub>	110			130	139		159	180	160	180	214	214	184	244	274
	k <sub>2</sub>	180			180	180		180	265			300			300	
Flange	a <sub>3</sub>	160			188	160		188	300	250	250	350	350	300	400	450
	b <sub>3</sub> H8	110			130	110		130	230	180	180	250	250	230	300	350
	c <sub>3</sub>	10			20	10		20	18	18	35	20	20	18	20	
	e <sub>3</sub>	130			165	130		165	265	215	215	300	300	265	350	400
	f <sub>3</sub>	4			4	4		4	4.5			6	6	4.5	6	
	s <sub>3</sub> 4 x 8 x	9			M10	9		M10	13.5			17.5	17.5	13.5	17.5	17.5
Required motor shafts	d <sub>3</sub>	28	24	19	24	28	24	24	38	28	38	42	48	38	55	60
	l <sub>3</sub> min max.	30			50	30		50	80	60	80	110	110	80	110	140
		60			50	60		50	80	60	80	110	110	80	110	140
	U <sub>1</sub>	8	8	6	8	8	8	8	10	8	10	12	14	10	16	18
t <sub>1</sub>	31	27	21.5	27	31	27	27	41	31	41	45	51.5	41	59	64	
Gearbox size	Overall length k															
	05	357			377											
	06	413			433	442		462								
	07	469			489	498		518	553	533	553	591		561		
	09	540			560	569		589	624	604	624	662	662	632	692	
	11	631			651	660		680	715	695	715	753	753	723	783	813
	14								814	794	814	852	852	822	882	912

Gearbox size	Gearbox					
	o	l*	p*	h*	h <sub>1</sub>	a
04	203	115	171	100	71	20
05	232	140	205	125	80	23
06	291	160	250	150	100	28
07	354	200	310	190	120	34
09	429	240	386	236	150	41
11	527	290	485	300	185	54
14	636	350	605	375	230	67

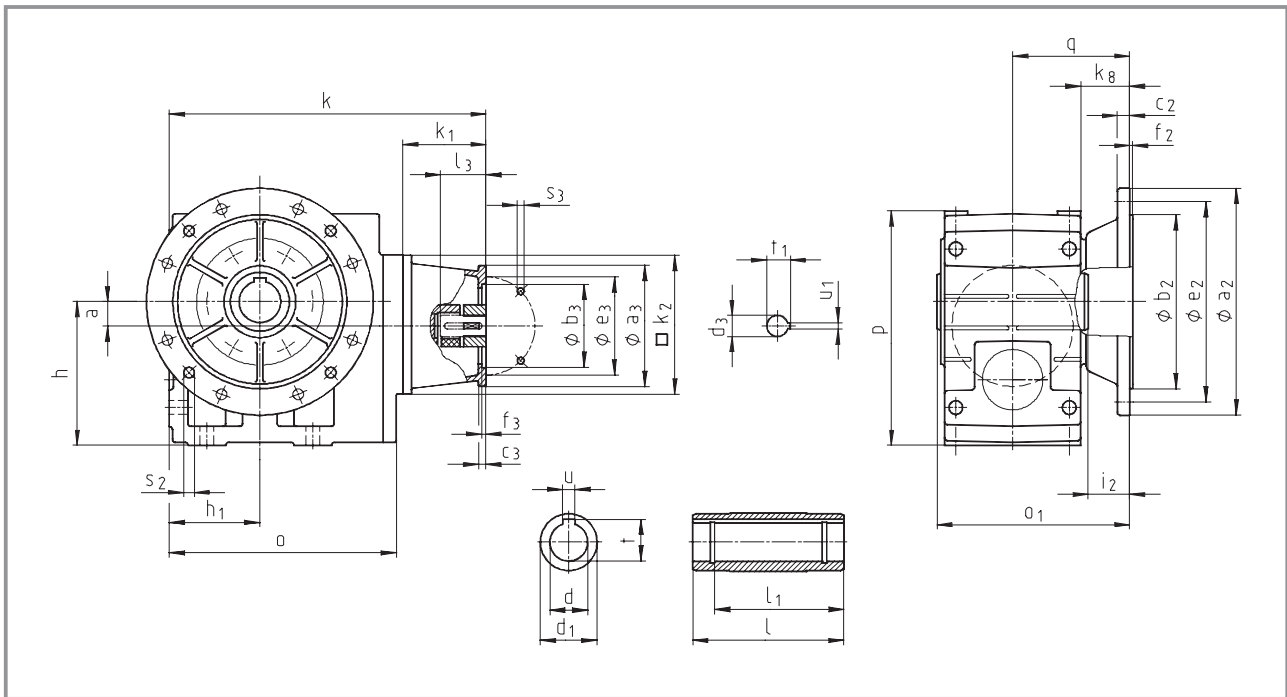
Gearbox size	Foot											
	a <sub>5</sub>	a <sub>6</sub>	b <sub>5</sub>	b <sub>6</sub>	b <sub>7</sub>	c <sub>5</sub>	e <sub>5</sub>	f <sub>5</sub>	f <sub>6</sub>	n	m	s <sub>5</sub>
04	45	45	110	119	85	14	105	132	141	22	21	9
05	47.5	47.5	115	140	105	17	127	144	169	29	21	11
06	60	60	155	170	120	20	145	191	206	36	23	14
07	70	70	190	210	150	25	180	235	255	45	28	18
09	90	90	240	266	185	30	222	300	326	60	37	22
11	105	105	290	325	225	40	270	363	398	73	43	26
14	135	135	360	415	275	50	328	442	497	82	52	33

Gearbox size	Hollow shaft						Threaded pitch circle					
	d H7	l	d <sub>1</sub>	l <sub>1</sub>	u JS9	t +0.2	a <sub>1</sub>	b <sub>1</sub> H7	e <sub>1</sub>	f <sub>1</sub>	i <sub>1</sub>	s <sub>1</sub>
04	25 30	115	45	100	8 8	28.3 33.3	105	75	90	3	2.5	M6x12
05	30 35	140	50	124	8 10	33.3 38.3	118	80	100	4	4	M8x15
06	40 45	160	65	140	12 14	43.3 48.8	140	100	120	4	5	M10x16
07	50 55	200	75	175	14 16	53.8 59.3	165	115	140	5	5	M12x18
09	60 70	240	95	210	18 20	64.4 74.9	205	145	175	6	5	M16x24
11	70 80	290	105	250	20 22	74.9 85.4	240	140	205	6	6	M20x32
14	100	350	135	305	28	106.4	290	170	250	6	7	M24x35

Dimensions in [mm]\* Observe dimension k<sub>2</sub>; with gearbox size 04 and drive size 1D/2D, dimension k<sub>2</sub>/2 > h-a.

# Helical-bevel gearbox dimensions

Gearboxes with mounting flange for Atex category 2GD, 3GD (zone 1, 21, 2, 22)



Gearbox <b>GKS□□-3N HAK</b>		Drive size										
		1A	1B	2B	1C	2C	3C	4C	6C	7C	1D	2D
		Corresponds to IEC motor										
		63	71	63	80	71	71	71	63	80	90	80
Housing	k <sub>1</sub>	75	77	75	91						115	
	k <sub>2</sub>	120	145	120	145						180	
Flange	a <sub>3</sub>	90	105	90	160	160	105	120	160	120	160	
	b <sub>3</sub> H8	60	70	60	110	110	70	80	110	80	110	
	c <sub>3</sub>	7	8	7	10	10	8	8	10	8	10	
	e <sub>3</sub>	75	85	75	130	130	85	100	130	100	130	
	f <sub>3</sub>	3	3	4	4	3	3.5	4	3.5	4		
	s <sub>3</sub> 4 x	5.5	6.6	5.5	9	9	6.6	6.6	9	6.6	9	
Required motor shafts	d <sub>3</sub>	11	14	11	19	14	14	14	11	19	24	19
	l <sub>3</sub>	min	23	30	23	25			23	25	50	40
		max.	23	30	23	40			40	40	50	50
	U <sub>1</sub>	4	5	4	6	5	5	5	4	6	8	6
t <sub>1</sub>	12.5	16	12.5	21.5	16	16	16	12.5	21.5	27	21.5	
Gearbox size	Overall length k											
	04	287	294	287	308						342	
	05		314		328						362	
	06		370		384						418	
	07				440						474	
	09										545	



# Helical-bevel gearbox dimensions

Gearboxes with mounting flange for Atex category 2GD, 3GD (zone 1, 21, 2, 22)

Gearbox <b>GKS□□-3N HAK</b>		Drive size														
		1E	2E	3E	4E	1F	2F	3F	1G	2G	3G	1H	2H	3H	1K	2K
		Corresponds to IEC motor														
		100 112	90	80	90	100 112	90	90	132	100 112	132	160	180	132	200	225
Housing	k <sub>1</sub>	110			130	139		159	180	160	180	214	214	184	244	274
	k <sub>2</sub>	180			180	180		180	265			300			300	
Flange	a <sub>3</sub>	160			188	160		188	300	250	250	350	350	300	400	450
	b <sub>3</sub> H8	110			130	110		130	230	180	180	250	250	230	300	350
	c <sub>3</sub>	10			20	10		20	18	18	35	20	20	18	20	
	e <sub>3</sub>	130			165	130		165	265	215	215	300	300	265	350	400
	f <sub>3</sub>	4			4	4		4	4.5			6	6	4.5	6	
	s <sub>3</sub> 4 x 8 x	9			M10	9		M10	13.5			17.5	17.5	13.5	17.5	17.5
Required motor shafts	d <sub>3</sub>	28	24	19	24	28	24	24	38	28	38	42	48	38	55	60
	l <sub>3</sub> min max.	30			50	30		50	80	60	80	110	110	80	110	140
		60			50	60		50	80	60	80	110	110	80	110	140
	U <sub>1</sub>	8	8	6	8	8	8	8	10	8	10	12	14	10	16	18
t <sub>1</sub>	31	27	21.5	27	31	27	27	41	31	41	45	51.5	41	59	64	
Gearbox size	Overall length k															
	05	357			377											
	06	413			433	442		462								
	07	469			489	498		518	553	533	553	591		561		
	09	540			560	569		589	624	604	624	662	662	632	692	
	11	631			651	660		680	715	695	715	753	753	723	783	813
	14								814	794	814	852	852	822	882	912

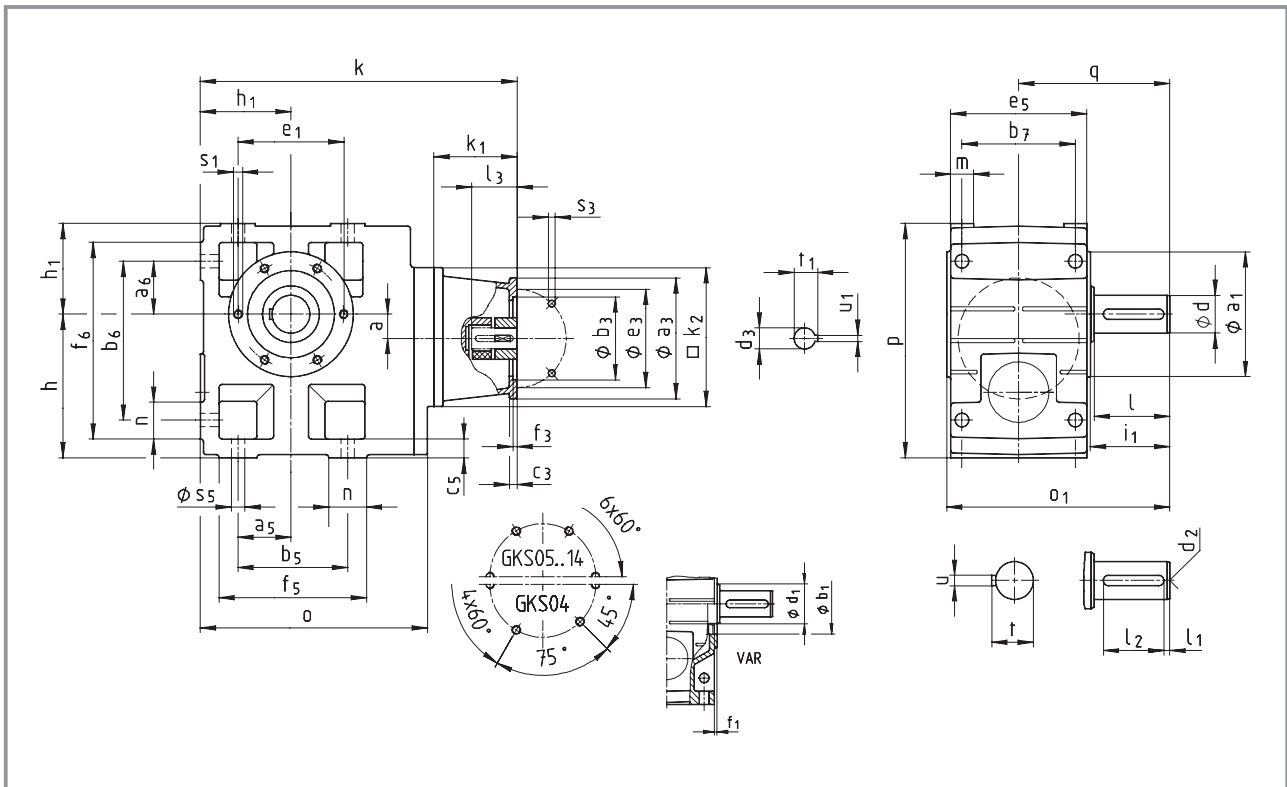
Gearbox size	Gearbox							
	o	o <sub>1</sub> *	p*	h*	h <sub>1</sub>	a	k <sub>g</sub>	q
04	203	148	171	100	71	20	38	90.5
05	232	173	205	125	80	23	40	103
06	291	201	250	150	100	28	49	121
07	354	255	310	190	120	34	65	155
09	429	300	386	236	150	41	69	180
11	527	350	485	300	185	54	70	205
14	636	410	605	375	230	67	71	235

Gearbox size	Hollow shaft						Output flange						
	d H7	l	d <sub>1</sub>	l <sub>1</sub>	u JS9	t +0.2	a <sub>2</sub>	b <sub>2</sub> j7	c <sub>2</sub>	e <sub>2</sub>	f <sub>2</sub>	i <sub>2</sub>	s <sub>2</sub>
04	25 30	115	45	100	8 8	28.3 33.3	160	110	10	130	3.5	33	4 x 9
05	30 35	140	50	124	8 10	33.3 38.3	200	130	12	165	3.5	33	4 x 11
06	40 45	160	65	140	12 14	43.3 48.8	200 250	130 180	12 15	165 215	3.5 4	42 41	4 x 11 4 x 14
07	50 55	200	75	175	14 16	53.8 59.3	250 300	180 230	15 17	215 265	4	55	4 x 14
09	60 70	240	95	210	18 20	64.4 74.9	350	250	18	300	4	60	4 x 17.5
11	70 80	290	105	250	20 22	74.9 85.4	400 450	300 350	20 22	350 400	5	60	4 x 17.5 8 x 17.5
14	100	350	135	305	28	106.4	450	350	22	400	5	60	8 x 17.5

Dimensions in [mm] \* Observe dimension k<sub>2</sub>; with gearbox size 04 and drive size 1D/2D, dimension k<sub>2</sub>/2 > h-a.

# Helical-bevel gearbox dimensions

Gearboxes with mounting flange for Atex category 2GD, 3GD (zone 1, 21, 2, 22)



Gearbox <b>GKS□□-3N V□R</b>		Drive size											
		1A	1B	2B	1C	2C	3C	4C	6C	7C	1D	2D	
		Corresponds to IEC motor											
		63	71	63	80	71	71	71	63	80	90	80	
Housing	k <sub>1</sub>	75	77	75	91						115		
	k <sub>2</sub>	120	145	120	145						180		
Flange	a <sub>3</sub>	90	105	90	160	160	105	120	160	120	160		
	b <sub>3</sub> H8	60	70	60	110	110	70	80	110	80	110		
	c <sub>3</sub>	7	8	7	10	10	8	8	10	8	10		
	e <sub>3</sub>	75	85	75	130	130	85	100	130	100	130		
	f <sub>3</sub>	3	3	4	4	3	3.5	4	3.5	4			
	s <sub>3</sub> 4 x	5.5	6.6	5.5	9	9	6.6	6.6	9	6.6	9		
Required motor shafts	d <sub>3</sub>	11	14	11	19	14	14	14	11	19	24	19	
	l <sub>3</sub>	min	23	30	23	25				23	25	50	40
		max.	23	30	23	40				40	40	50	50
	U <sub>1</sub>	4	5	4	6	5	5	5	4	6	8	6	
	t <sub>1</sub>	12.5	16	12.5	21.5	16	16	16	12.5	21.5	27	21.5	
Gearbox size	Overall length k												
	04	287	294	287	308						342		
	05		314		328						362		
	06		370		384						418		
	07				440						474		
	09										545		

# Helical-bevel gearbox dimensions

Gearboxes with mounting flange for Atex category 2GD, 3GD (zone 1, 21, 2, 22)

Gearbox <b>GKS□□-3N V□R</b>		Drive size														
		1E	2E	3E	4E	1F	2F	3F	1G	2G	3G	1H	2H	3H	1K	2K
		Corresponds to IEC motor														
		100 112	90	80	90	100 112	90	90	132	100 112	132	160	180	132	200	225
Housing	k <sub>1</sub>	110			130	139		159	180	160	180	214	214	184	244	274
	k <sub>2</sub>	180			180	180		180	265			300			300	
Flange	a <sub>3</sub>	160			188	160		188	300	250	250	350	350	300	400	450
	b <sub>3</sub> H8	110			130	110		130	230	180	180	250	250	230	300	350
	c <sub>3</sub>	10			20	10		20	18	18	35	20	20	18	20	
	e <sub>3</sub>	130			165	130		165	265	215	215	300	300	265	350	400
	f <sub>3</sub>	4			4	4		4	4.5			6	6	4.5	6	
	s <sub>3</sub> 4 x 8 x	9			M10	9		M10	13.5			17.5	17.5	13.5	17.5	17.5
Required motor shafts	d <sub>3</sub>	28	24	19	24	28	24	24	38	28	38	42	48	38	55	60
	l <sub>3</sub> min max.	30			50	30		50	80	60	80	110	110	80	110	140
		60			50	60		50	80	60	80	110	110	80	110	140
	U <sub>1</sub>	8	8	6	8	8	8	8	10	8	10	12	14	10	16	18
t <sub>1</sub>	31	27	21.5	27	31	27	27	41	31	41	45	51.5	41	59	64	
Gearbox size	Overall length k															
	05	357			377											
	06	413			433	442		462								
	07	469			489	498		518	553	533	553	591		561		
	09	540			560	569		589	624	604	624	662	662	632	692	
	11	631			651	660		680	715	695	715	753	753	723	783	813
	14								814	794	814	852	852	822	882	912

Gearbox size	Gearbox						
	o	o <sub>1</sub> *	p*	h*	h <sub>1</sub>	a	q
04	203	163	171	100	71	20	107.5
05	232	197	205	125	80	23	130
06	291	236	250	150	100	28	160
07	354	296	310	190	120	34	200
09	429	356	386	236	150	41	240
11	527	445	485	300	185	54	305
14	636	544	605	375	230	67	375

Gearbox size	Foot											
	a <sub>5</sub>	a <sub>6</sub>	b <sub>5</sub>	b <sub>6</sub>	b <sub>7</sub>	c <sub>5</sub>	e <sub>5</sub>	f <sub>5</sub>	f <sub>6</sub>	n	m	s <sub>5</sub>
04	45	45	110	119	85	14	105	132	141	22	21	9
05	47.5	47.5	115	140	105	17	127	144	169	29	21	11
06	60	60	155	170	120	20	145	191	206	36	23	14
07	70	70	190	210	150	25	180	235	255	45	28	18
09	90	90	240	266	185	30	222	300	326	60	37	22
11	105	105	290	325	225	40	270	363	398	73	43	26
14	135	135	360	415	275	50	328	442	497	82	52	33

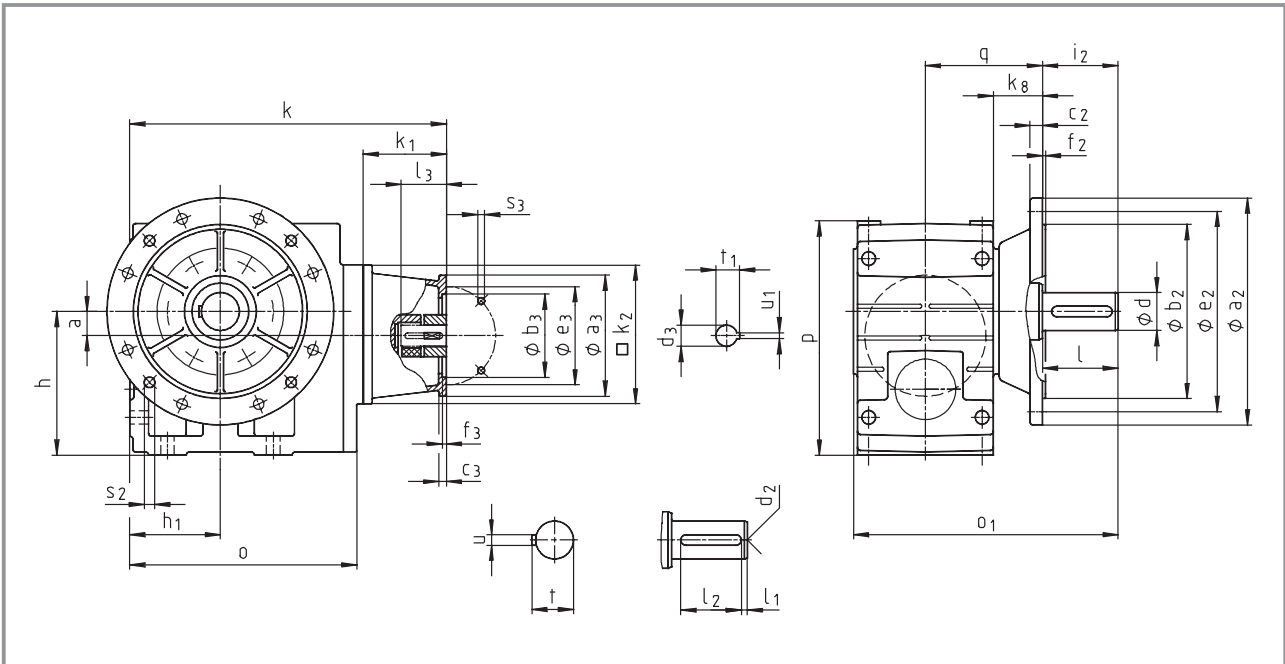
Gearbox size	Solid shaft								Threaded pitch circle						
	d	l	d <sub>1</sub>	l <sub>1</sub>	l <sub>2</sub>	d <sub>2</sub>	u	t	a <sub>1</sub>	b <sub>1</sub> H7	e <sub>1</sub>	f <sub>1</sub>	i <sub>1</sub>	s <sub>1</sub>	
04	25	50	45	4	40	M10	8	28	105	75	90	3	52.5	M6x12	
05	30	60	50	6	45	M10	8	33	118	80	100	4	64	M8x15	
06	40	80	65	7	63	M16	12	43	140	100	120	4	85	M10x16	
07	50	100	75	8	80	M16	14	53.5	165	115	140	5	105	M12x18	
09	60	120	95	8	100	M20	18	64	205	145	175	6	125	M16x24	
11	80	160	105	15	125	M20	22	85	240	140	205	6	166	M20x32	
14	100	200	135	18	160	M24	28	106	290	170	250	6	207	M24x35	

Dimensions in [mm] d ≤ 50 mm: k6  
d > 50 mm: m6

\* Observe dimension k<sub>2</sub>; with gearbox size 04 and drive size 1D/2D, dimension k<sub>2</sub>/2 > h-a.

# Helical-bevel gearbox dimensions

Gearboxes with mounting flange for Atex category 2GD, 3GD (zone 1, 21, 2, 22)



Gearbox <b>GKS□□-3N VAK</b>		Drive size										
		1A	1B	2B	1C	2C	3C	4C	6C	7C	1D	2D
		Corresponds to IEC motor										
		63	71	63	80	71	71	71	63	80	90	80
Housing	$k_1$	75	77	75	91						115	
	$k_2$	120	145	120	145						180	
Flange	$a_3$	90	105	90	160	160	105	120	160	120	160	
	$b_3$ H8	60	70	60	110	110	70	80	110	80	110	
	$c_3$	7	8	7	10	10	8	8	10	8	10	
	$e_3$	75	85	75	130	130	85	100	130	100	130	
	$f_3$	3	3	3	4	4	3	3.5	4	3.5	4	
	$s_3$ 4 x	5.5	6.6	5.5	9	9	6.6	6.6	9	6.6	9	
Required motor shafts	$d_3$	11	14	11	19	14	14	14	11	19	24	19
	$l_3$	min	23	30	23	25			23	25	50	40
		max.	23	30	23	40			40	40	50	50
	$U_1$	4	5	4	6	5	5	5	4	6	8	6
	$t_1$	12.5	16	12.5	21.5	16	16	16	12.5	21.5	27	21.5
Gearbox size	Overall length $k$											
	04	287	294	287	308						342	
	05		314		328						362	
	06		370		384						418	
	07				440						474	
	09										545	

# Helical-bevel gearbox dimensions

Gearboxes with mounting flange for Atex category 2GD, 3GD (zone 1, 21, 2, 22)

Gearbox <b>GKS□□-3N VAK</b>		Drive size														
		1E	2E	3E	4E	1F	2F	3F	1G	2G	3G	1H	2H	3H	1K	2K
		Corresponds to IEC motor														
		100 112	90	80	90	100 112	90	90	132	100 112	132	160	180	132	200	225
Housing	$k_1$	110			130	139		159	180	160	180	214	214	184	244	274
	$k_2$	180			180	180		180	265			300			300	
Flange	$a_3$	160			188	160		188	300	250	250	350	350	300	400	450
	$b_3$ H8	110			130	110		130	230	180	180	250	250	230	300	350
	$c_3$	10			20	10		20	18	18	35	20	20	18	20	
	$e_3$	130			165	130		165	265	215	215	300	300	265	350	400
	$f_3$	4			4	4		4	4.5			6	6	4.5	6	
	$s_3$ 4 x 8 x	9			M10	9		M10	13.5			17.5	17.5	13.5	17.5	17.5
Required motor shafts	$d_3$	28	24	19	24	28	24	24	38	28	38	42	48	38	55	60
	$l_3$ min max.	30			50	30		50	80	60	80	110	110	80	110	140
		60			50	60		50	80	60	80	110	110	80	110	140
	$U_1$	8	8	6	8	8	8	8	10	8	10	12	14	10	16	18
$t_1$	31	27	21.5	27	31	27	27	41	31	41	45	51.5	41	59	64	
Gearbox size	Overall length $k$															
	05	357			377											
	06	413			433	442		462								
	07	469			489	498		518	553	533	553	591		561		
	09	540			560	569		589	624	604	624	662	662	632	692	
	11	631			651	660		680	715	695	715	753	753	723	783	813
	14								814	794	814	852	852	822	882	912

Gearbox size	Gearbox								
	$o$	$o_1^*$	$p^*$	$h^*$	$h_1$	$a$	$k_8$	$q$	
04	203	196	171	100	71	20	38	90.5	
05	232	230	205	125	80	23	40	103	
06	291	277	250	150	100	28	49	121	
07	354	351	310	190	120	34	65	155	
09	429	416	386	236	150	41	69	180	
11	527	505	485	300	185	54	70	205	
14	636	604	605	375	230	67	71	235	

Gearbox size	Solid shaft								Output flange						
	$d$	$l$	$l_1$	$l_2$	$d_2$	$u$	$t$	$a_2$	$b_2$ j7	$c_2$	$e_2$	$f_2$	$i_2$	$s_2$	
04	25	50	4	40	M10	8	28	160	110	10	130	3.5	50	4 x 9	
05	30	60	6	45	M10	8	33	200	130	12	165	3.5	60	4 x 11	
06	40	80	7	63	M16	12	43	250	180	15	215	4	80	4 x 14	
07	50	100	8	80	M16	14	53.5	250 300	180 230	15 17	215 265	4	100	4 x 14	
09	60	120	8	100	M20	18	64	350	250	18	300	4	120	4 x 17.5	
11	80	160	15	125	M20	22	85	400 450	300 350	20 22	350 400	5	160	4 x 17.5 8 x 17.5	
14	100	200	18	160	M24	28	106	450	350	22	400	5	200	8 x 17.5	

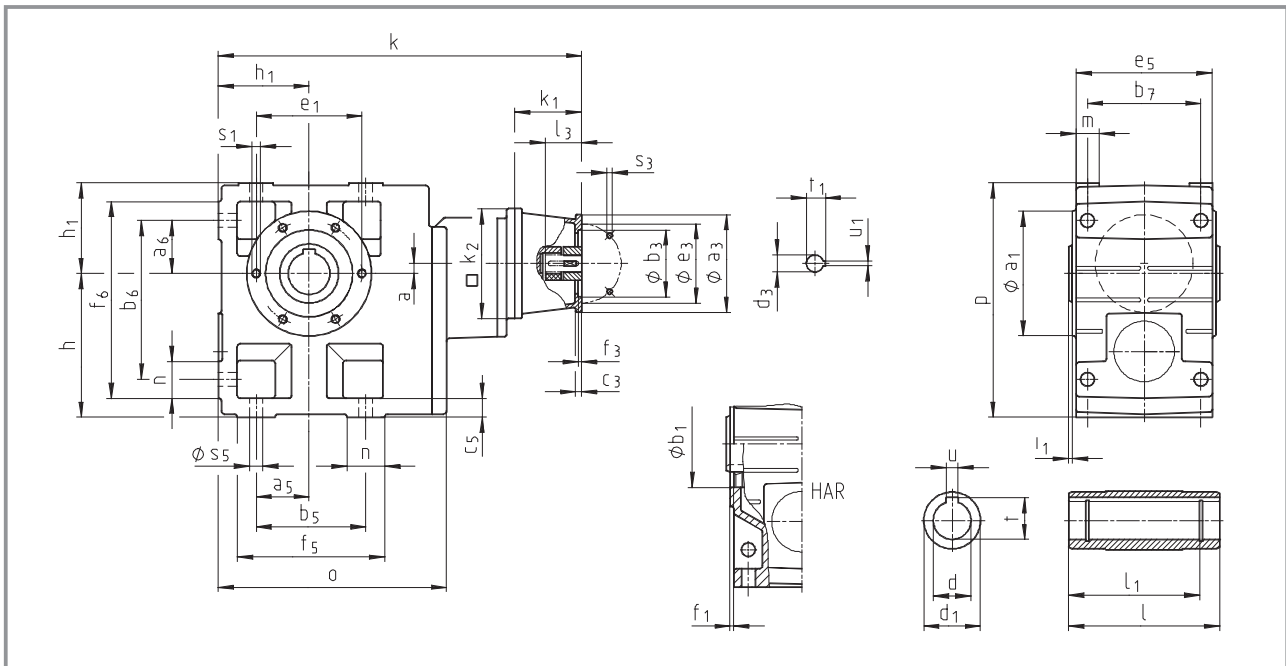
Dimensions in [mm]

$d \leq 50$  mm: k6  
 $d > 50$  mm: m6

\* Observe dimension  $k_2$ ; with gearbox size 04 and drive size 1D/2D, dimension  $k_2/2 > h-a$ .

# Helical-bevel gearbox dimensions

Gearboxes with mounting flange for Atex category 2GD, 3GD (zone 1, 21, 2, 22)



Gearbox <b>GKS□□-4N H□R</b>		Drive size											
		1A	1B	2B	1C	2C	3C	4C	6C	7C	1D	2D	
		Corresponds to IEC motor											
		63	71	63	80	71	71	71	63	80	90	80	
Housing	$k_1$	75	77	75	91						115		
	$k_2$	120	145	120	145						180		
Flange	$a_3$	90	105	90	160	160	105	120	160	120	160		
	$b_3$ H8	60	70	60	110	110	70	80	110	80	110		
	$c_3$	7	8	7	10	10	8	8	10	8	10		
	$e_3$	75	85	75	130	130	85	100	130	100	130		
	$f_3$	3	3	4	4	3	3.5	4	3.5	4			
	$s_3$ 4 x	5.5	6.6	5.5	9	9	6.6	6.6	9	6.6	9		
Required motor shafts	$d_3$	11	14	11	19	14	14	14	11	19	24	19	
	$l_3$ min	23	30	23	25				23	25	50	40	
	$l_3$ max.	23	30	23	40				40	40	50	50	
	$U_1$	4	5	4	6	5	5	5	4	6	8	6	
	$t_1$	12.5	16	12.5	21.5	16	16	16	12.5	21.5	27	21.5	
Gearbox size		Overall length $k$											
05		383	390	383	404								
06		456	463	456	477						511		
07			530		544						578		
09			619		633						667		
11					743						777		
14											910		

# Helical-bevel gearbox dimensions

Gearboxes with mounting flange for Atex category 2GD, 3GD (zone 1, 21, 2, 22)

Gearbox <b>GKS□□-4N H□R</b>		Drive size													
		1E	2E	3E	4E	1F	2F	3F	1G	2G	3G	1H	2H	3H	
		Corresponds to IEC motor													
		100 112	90	80	90	100 112	90	90	132	100 112	132	160	180	132	
Housing	k <sub>1</sub>	110			130	139		159	180	160	180	214	214	184	
	k <sub>2</sub>	180			180	180		180	265			300			
Flange	a <sub>3</sub>	160			188	160		188	300	250	250	350	350	300	
	b <sub>3</sub> H8	110			130	110		130	230	180	180	250	250	230	
	c <sub>3</sub>	10			20	10		20	18	18	35	20	20	18	
	e <sub>3</sub>	130			165	130		165	265	215	215	300	300	265	
	f <sub>3</sub>	4			4	4		4	4.5			6	6	4.5	
	s <sub>3</sub> 4 x	9			M10	9		M10	13.5			17.5	17.5	13.5	
Required motor shafts	d <sub>3</sub>	28	24	19	24	28	24	24	38	28	38	42	48	38	
	l <sub>3</sub>	min			50	30		50	80	60	80	110	110	80	
		max.			60	60		50	80	60	80	110	110	80	
	U <sub>1</sub>	8	8	6	8	8	8	8	10	8	10	12	14	10	
t <sub>1</sub>	31	27	21.5	27	31	27	27	41	31	41	45	51.5	41		
Gearbox size	Overall length k														
	07	573			593										
	09	662			682	691		711							
	11	772			792	801		821	856	836	856				
	14	905			925	934		954	989	969	989	1028	1028	998	

Gearbox size	Gearbox					
	o	l*	p*	h	h <sub>1</sub>	a
05	226	140	205	125	80	13
06	288	160	250	150	100	8
07	351	200	310	190	120	11
09	426	240	386	236	150	15
11	523	290	485	300	185	16
14	632	350	605	375	230	22

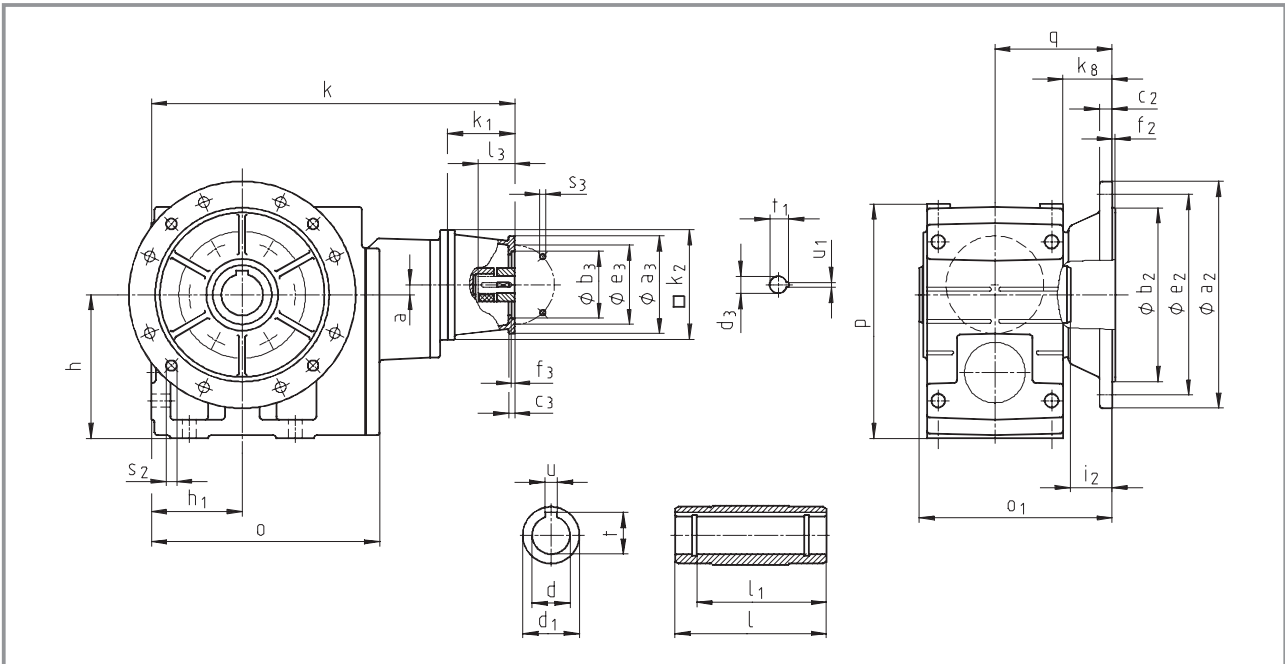
Gearbox size	Foot											
	a <sub>5</sub>	a <sub>6</sub>	b <sub>5</sub>	b <sub>6</sub>	b <sub>7</sub>	c <sub>5</sub>	e <sub>5</sub>	f <sub>5</sub>	f <sub>6</sub>	n	m	s <sub>5</sub>
05	47.5	47.5	115	140	105	17	127	144	169	29	21	11
06	60	60	155	170	120	20	145	191	206	36	23	14
07	70	70	190	210	150	25	180	235	255	45	28	18
09	90	90	240	266	185	30	222	300	326	60	37	22
11	105	105	290	325	225	40	270	363	398	73	43	26
14	135	135	360	415	275	50	328	442	497	82	52	33

Gearbox size	Hollow shaft						Threaded pitch circle					
	d H7	l	d <sub>1</sub>	l <sub>1</sub>	u JS9	t +0.2	a <sub>1</sub>	b <sub>1</sub> H7	e <sub>1</sub>	f <sub>1</sub>	i <sub>1</sub>	s <sub>1</sub> 6 x 60°
05	30 35	140	50	124	8 10	33.3 38.3	118	80	100	4	4	M8x15
06	40 45	160	65	140	12 14	43.3 48.8	140	100	120	4	5	M10x16
07	50 55	200	75	175	14 16	53.8 59.3	165	115	140	5	5	M12x18
09	60 70	240	95	210	18 20	64.4 74.9	205	145	175	6	5	M16x24
11	70 80	290	105	250	20 22	74.9 85.4	240	140	205	6	6	M20x32
14	100	350	135	305	28	106.4	290	170	250	6	7	M24x35

Dimensions in [mm] \* Observe dimension k<sub>2</sub>.

# Helical-bevel gearbox dimensions

Gearboxes with mounting flange for Atex category 2GD, 3GD (zone 1, 21, 2, 22)



Gearbox <b>GKS□□-4N HAK</b>		Drive size											
		1A	1B	2B	1C	2C	3C	4C	6C	7C	1D	2D	
		Corresponds to IEC motor											
		63	71	63	80	71	71	71	63	80	90	80	
Housing	k <sub>1</sub>	75	77	75	91						115		
	k <sub>2</sub>	120	145	120	145						180		
Flange	a <sub>3</sub>	90	105	90	160	160	105	120	160	120	160		
	b <sub>3</sub> H8	60	70	60	110	110	70	80	110	80	110		
	c <sub>3</sub>	7	8	7	10	10	8	8	10	8	10		
	e <sub>3</sub>	75	85	75	130	130	85	100	130	100	130		
	f <sub>3</sub>	3	3	4	4	3	3.5	4	3.5	4			
	s <sub>3</sub> 4 x	5.5	6.6	5.5	9	9	6.6	6.6	9	6.6	9		
Required motor shafts	d <sub>3</sub>	11	14	11	19	14	14	14	11	19	24	19	
	l <sub>3</sub>	min	23	30	23	25				23	25	50	40
		max.	23	30	23	40				40	40	50	50
	U <sub>1</sub>	4	5	4	6	5	5	5	4	6	8	6	
	t <sub>1</sub>	12.5	16	12.5	21.5	16	16	16	12.5	21.5	27	21.5	
Gearbox size	Overall length k												
	05	383	390	383	404						511		
06	456	463	456	477						578			
07		530		544						667			
09		619		633						777			
11				743						910			
14													



# Helical-bevel gearbox dimensions

Gearboxes with mounting flange for Atex category 2GD, 3GD (zone 1, 21, 2, 22)

Gearbox <b>GKS□□-4N HAK</b>		Drive size												
		1E	2E	3E	4E	1F	2F	3F	1G	2G	3G	1H	2H	3H
		Corresponds to IEC motor												
		100 112	90	80	90	100 112	90	90	132	100 112	132	160	180	132
Housing	k <sub>1</sub>	110			130	139		159	180	160	180	214	214	184
	k <sub>2</sub>	180			180	180		180	265			300		
Flange	a <sub>3</sub>	160			188	160		188	300	250	250	350	350	300
	b <sub>3</sub> H8	110			130	110		130	230	180	180	250	250	230
	c <sub>3</sub>	10			20	10		20	18	18	35	20	20	18
	e <sub>3</sub>	130			165	130		165	265	215	215	300	300	265
	f <sub>3</sub>	4			4	4		4	4.5			6	6	4.5
	s <sub>3</sub> 4 x	9			M10	9		M10	13.5			17.5	17.5	13.5
Required motor shafts	d <sub>3</sub>	28	24	19	24	28	24	24	38	28	38	42	48	38
	l <sub>3</sub>	min			50	30		50	80	60	80	110	110	80
		max.			60	60		60	80	60	80	110	110	80
	U <sub>1</sub>	8	8	6	8	8	8	8	10	8	10	12	14	10
t <sub>1</sub>	31	27	21.5	27	31	27	27	41	31	41	45	51.5	41	
Gearbox size	Overall length k													
07	573			593										
09	662			682	691		711							
11	772			792	801		821	856	836	856				
14	905			925	934		954	989	969	989	1028	1028	998	

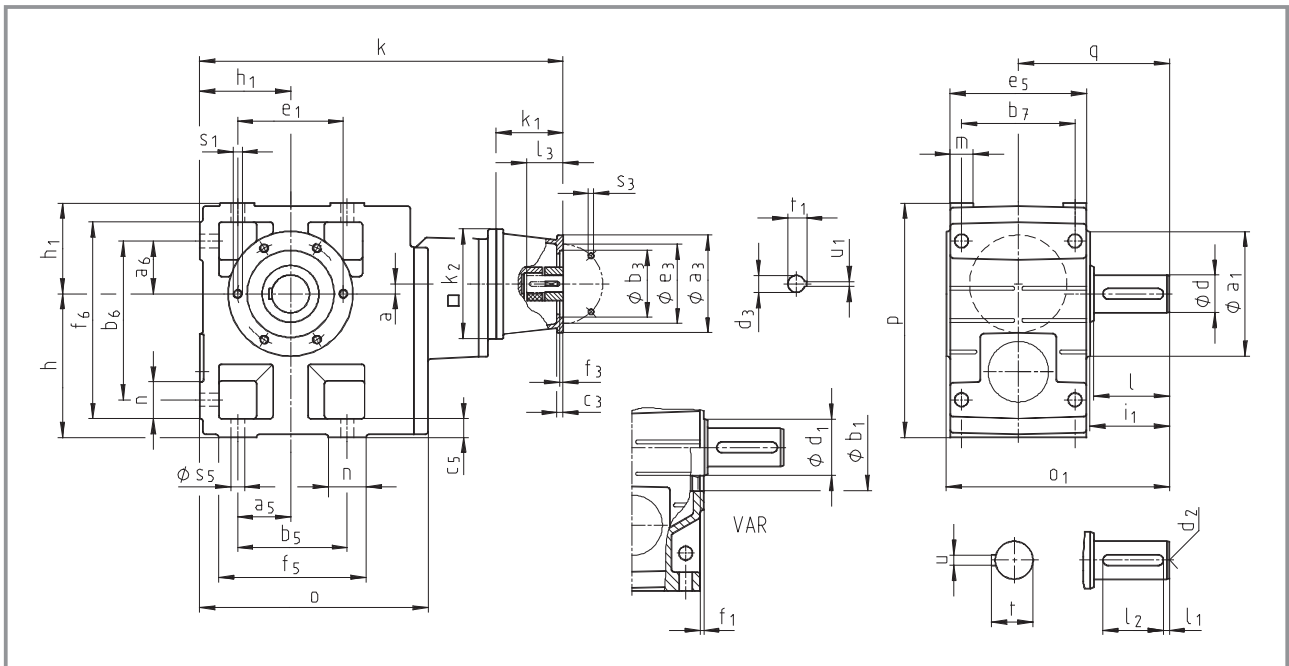
Gearbox size	Gearbox								
	o	o <sub>1</sub> *	p*	h	h <sub>1</sub>	a	k <sub>8</sub>	q	
05	226	173	205	125	80	13	40	103	
06	288	201	250	150	100	8	49	121	
07	351	255	310	190	120	11	65	155	
09	426	300	386	236	150	15	69	180	
11	523	350	485	300	185	16	70	205	
14	632	410	605	375	230	22	71	235	

Gearbox	size H7	Hollow shaft					Output flange						
		d	l	d <sub>1</sub>	l <sub>1</sub> JS9	u +0.2	t	a <sub>2</sub> j7	b <sub>2</sub>	c <sub>2</sub>	e <sub>2</sub>	f <sub>2</sub>	i <sub>2</sub> s <sub>2</sub>
05	30	140	50	124	8	33.3	200	130	12	165	3.5	33	4 x 11
	35				10	38.3							
06	40	160	65	140	12	43.3	200	130	12	165	3.5	42	4 x 11
	45				14	48.8		15					
07	50	200	75	175	14	53.8	250	180	15	215	4	55	4 x 14
	55				16	59.3		17					
09	60	240	95	210	18	64.4	350	250	18	300	4	60	4 x 17.5
	70				20	74.9		22					
11	70	290	105	250	20	74.9	400	300	20	350	5	60	4 x 17.5
	80				22	85.4		22					
14	100	350	135	305	28	106.4	450	350	22	400	5	60	8 x 17.5

Dimensions in [mm] \* Observe dimension k<sub>2</sub>.

# Helical-bevel gearbox dimensions

Gearboxes with mounting flange for Atex category 2GD, 3GD (zone 1, 21, 2, 22)



Gearbox <b>GKS□□-4N V□R</b>		Drive size										
		1A	1B	2B	1C	2C	3C	4C	6C	7C	1D	2D
		Corresponds to IEC motor										
		63	71	63	80	71	71	71	63	80	90	80
Housing	$k_1$	75	77	75	91						115	
	$k_2$	120	145	120	145						180	
Flange	$a_3$	90	105	90	160	160	105	120	160	120	160	
	$b_3$ H8	60	70	60	110	110	70	80	110	80	110	
	$c_3$	7	8	7	10	10	8	8	10	8	10	
	$e_3$	75	85	75	130	130	85	100	130	100	130	
	$f_3$	3	3	3	4	4	3	3.5	4	3.5	4	
	$s_3$ 4 x	5.5	6.6	5.5	9	9	6.6	6.6	9	6.6	9	
Required motor shafts	$d_3$	11	14	11	19	14	14	14	11	19	24	19
	$l_3$ min	23	30	23	25				23	25	50	40
	$l_3$ max.	23	30	23	40				40	40	50	50
	$U_1$	4	5	4	6	5	5	5	4	6	8	6
	$t_1$	12.5	16	12.5	21.5	16	16	16	12.5	21.5	27	21.5
Gearbox size		Overall length $k$										
05		383	390	383	404							
06		456	463	456	477						511	
07			530		544						578	
09			619		633						667	
11					743						777	
14											910	

# Helical-bevel gearbox dimensions

Gearboxes with mounting flange for Atex category 2GD, 3GD (zone 1, 21, 2, 22)

Gearbox <b>GKS□□-4N V□R</b>	Drive size													
	1E	2E	3E	4E	1F	2F	3F	1G	2G	3G	1H	2H	3H	
	Corresponds to IEC motor													
	100 112	90	80	90	100 112	90	90	132	100 112	132	160	180	132	
Housing	$k_1$	110		130	139		159	180	160	180	214	214	184	
	$k_2$	180		180	180		180	265			300			
Flange	$a_3$	160		188	160		188	300	250	250	350	350	300	
	$b_3$ H8	110		130	110		130	230	180	180	250	250	230	
	$c_3$	10		20	10		20	18	18	35	20	20	18	
	$e_3$	130		165	130		165	265	215	215	300	300	265	
	$f_3$	4		4	4		4	4.5			6	6	4.5	
	$s_3$ 4 x	9		M10	9		M10	13.5			17.5	17.5	13.5	
	Required motor shafts	$d_3$	28	24	19	24	28	24	24	38	28	38	42	48
$l_3$		min		30	50		30	50	80	60	80	110	110	80
		max.		60	50		60	50	80	60	80	110	110	80
$U_1$		8	8	6	8	8	8	8	10	8	10	12	14	10
$t_1$		31	27	21.5	27	31	27	27	41	31	41	45	51.5	41
Gearbox size	Overall length $k$													
	07	573		593										
	09	662		682	691		711							
	11	772		792	801		821	856	836	856				
	14	905		925	934		954	989	969	989	1028	1028	998	

Gearbox size	Gearbox						
	$o$	$o_1^*$	$p^*$	$h$	$h_1$	$a$	$q$
05	226	197	205	125	80	13	130
06	288	236	250	150	100	8	160
07	351	296	310	190	120	11	200
09	426	356	386	236	150	15	240
11	523	445	485	300	185	16	305
14	632	544	605	375	230	22	375

Gearbox size	Foot											
	$a_5$	$a_6$	$b_5$	$b_6$	$b_7$	$c_5$	$e_5$	$f_5$	$f_6$	$n$	$m$	$s_5$
05	47.5	47.5	115	140	105	17	127	144	169	29	21	11
06	60	60	155	170	120	20	145	191	206	36	23	14
07	70	70	190	210	150	25	180	235	255	45	28	18
09	90	90	240	266	185	30	222	300	326	60	37	22
11	105	105	290	325	225	40	270	363	398	73	43	26
14	135	135	360	415	275	50	328	442	497	82	52	33

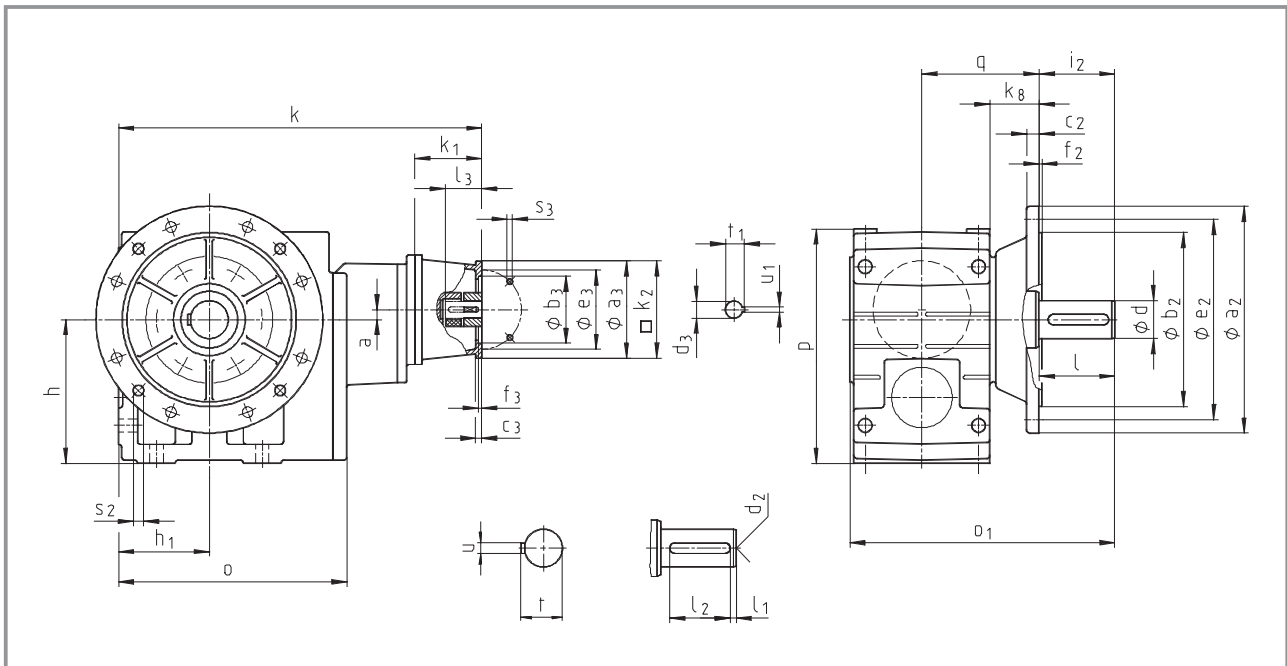
Gearbox size	Solid shaft									Threaded pitch circle					
	$d$	$l$	$d_1$	$l_1$	$l_2$	$d_2$	$u$	$t$	$a_1$	$b_1$ H7	$e_1$	$f_1$	$i_1$	$s_1$ 6x60°	
05	30	60	50	6	45	M10	8	33	118	80	100	4	64	M8x15	
06	40	80	65	7	63	M16	12	43	140	100	120	4	85	M10x16	
07	50	100	75	8	80	M16	14	53.5	165	115	140	5	105	M12x18	
09	60	120	95	8	100	M20	18	64	205	145	175	6	125	M16x24	
11	80	160	105	15	125	M20	22	85	240	140	205	6	166	M20x32	
14	100	200	135	18	160	M24	28	106	290	170	250	6	207	M24x35	

Dimensions in [mm]  $d \leq 50$  mm: k6  
 $d > 50$  mm: m6

\* Observe dimension  $k_2$ .

# Helical-bevel gearbox dimensions

Gearboxes with mounting flange for Atex category 2GD, 3GD (zone 1, 21, 2, 22)



Gearbox <b>GKS□□-4N VAK</b>		Drive size										
		1A	1B	2B	1C	2C	3C	4C	6C	7C	1D	2D
		Corresponds to IEC motor										
		63	71	63	80	71	71	71	63	80	90	80
Housing	k <sub>1</sub>	75	77	75	91						115	
	k <sub>2</sub>	120	145	120	145						180	
Flange	a <sub>3</sub>	90	105	90	160	160	105	120	160	120	160	
	b <sub>3</sub> H8	60	70	60	110	110	70	80	110	80	110	
	c <sub>3</sub>	7	8	7	10	10	8	8	10	8	10	
	e <sub>3</sub>	75	85	75	130	130	85	100	130	100	130	
	f <sub>3</sub>	3	3	4	4	3	3.5	4	3.5	4		
	s <sub>3</sub> 4 x	5.5	6.6	5.5	9	9	6.6	6.6	9	6.6	9	
Required motor shafts	d <sub>3</sub>	11	14	11	19	14	14	14	11	19	24	19
	l <sub>3</sub>	min	23	30	23	25			23	25	50	40
		max.	23	30	23	40			40	40	50	50
	U <sub>1</sub>	4	5	4	6	5	5	5	4	6	8	6
t <sub>1</sub>	12.5	16	12.5	21.5	16	16	16	12.5	21.5	27	21.5	
Gearbox size	Overall length k											
		383	390	383	404				511			
05	456	463	456	477				578				
06		530		544				667				
07		619		633				777				
09				743				910				
11												
14												

# Helical-bevel gearbox dimensions

Gearboxes with mounting flange for Atex category 2GD, 3GD (zone 1, 21, 2, 22)

Gearbox <b>GKS□□-4N VAK</b>		Drive size												
		1E	2E	3E	4E	1F	2F	3F	1G	2G	3G	1H	2H	3H
		Corresponds to IEC motor												
		100 112	90	80	90	100 112	90	90	132	100 112	132	160	180	132
Housing	k <sub>1</sub>	110			130	139		159	180	160	180	214	214	184
	k <sub>2</sub>	180			180	180		180	265			300		
Flange	a <sub>3</sub>	160			188	160		188	300	250	250	350	350	300
	b <sub>3</sub> H8	110			130	110		130	230	180	180	250	250	230
	c <sub>3</sub>	10			20	10		20	18	18	35	20	20	18
	e <sub>3</sub>	130			165	130		165	265	215	215	300	300	265
	f <sub>3</sub>	4			4	4		4	4.5			6	6	4.5
	s <sub>3</sub> 4 x	9			M10	9		M10	13.5			17.5	17.5	13.5
Required motor shafts	d <sub>3</sub>	28	24	19	24	28	24	24	38	28	38	42	48	38
	l <sub>3</sub>	min			50	30		50	80	60	80	110	110	80
		max.			60	60		60	80	60	80	110	110	80
	U <sub>1</sub>	8	8	6	8	8	8	8	10	8	10	12	14	10
	t <sub>1</sub>	31	27	21.5	27	31	27	27	41	31	41	45	51.5	41
Gearbox size	Overall length k													
07	573			593										
09	662			682	691		711							
11	772			792	801		821	856	836	856				
14	905			925	934		954	989	969	989	1028	1028	998	

Gearbox size	Gearbox								
	o	o <sub>1</sub> *	p*	h	h <sub>1</sub>	a	k <sub>8</sub>	q	
05	226	230	205	125	80	13	40	103	
06	288	277	250	150	100	8	49	121	
07	351	351	310	190	120	11	65	155	
09	426	416	386	236	150	15	69	180	
11	523	505	485	300	185	16	70	205	
14	632	604	605	375	230	22	71	235	

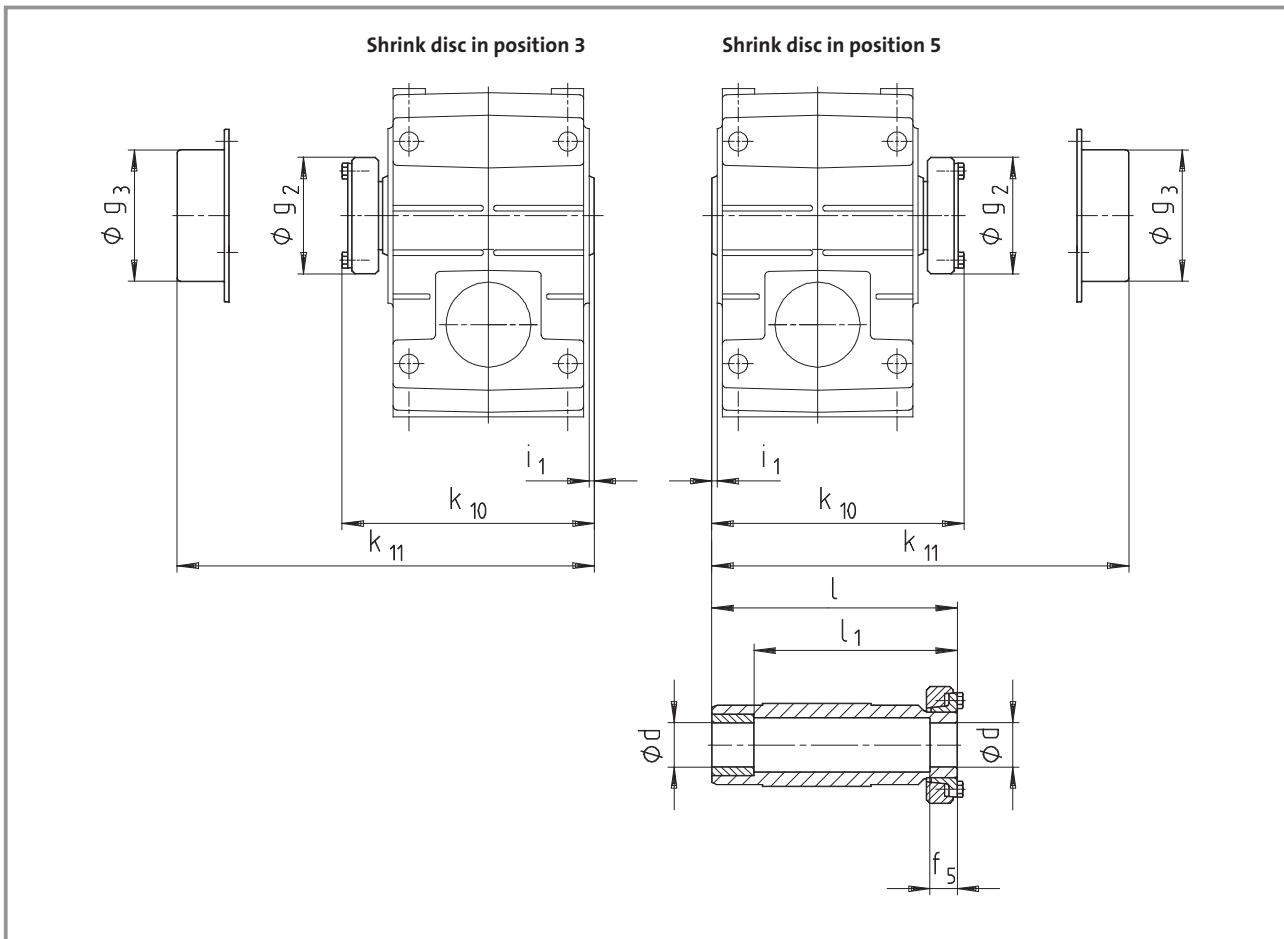
Gearbox size	Solid shaft							Output flange						
	d	l	l <sub>1</sub>	l <sub>2</sub>	d <sub>2</sub>	u	t	a <sub>2</sub>	b <sub>2</sub> j7	c <sub>2</sub>	e <sub>2</sub>	f <sub>2</sub>	i <sub>2</sub>	s <sub>2</sub>
05	30	60	6	45	M10	8	33	200	130	12	165	3.5	60	4 x 11
06	40	80	7	63	M16	12	43	250	180	15	215	4	80	4 x 14
07	50	100	8	80	M16	14	53.5	250 300	180 230	15 17	215 265	4	100	4 x 14
09	60	120	8	100	M20	18	64	350	250	18	300	4	120	4 x 17.5
11	80	160	15	125	M20	22	85	400 450	300 350	20 22	350 400	5	160	4 x 17.5 8 x 17.5
14	100	200	18	160	M24	28	106	450	350	22	400	5	200	8 x 17.5

Dimensions in [mm]

d ≤ 50 mm: k6  
d > 50 mm: m6

\* Observe dimension k<sub>2</sub>.

### Hollow shaft with shrink disc



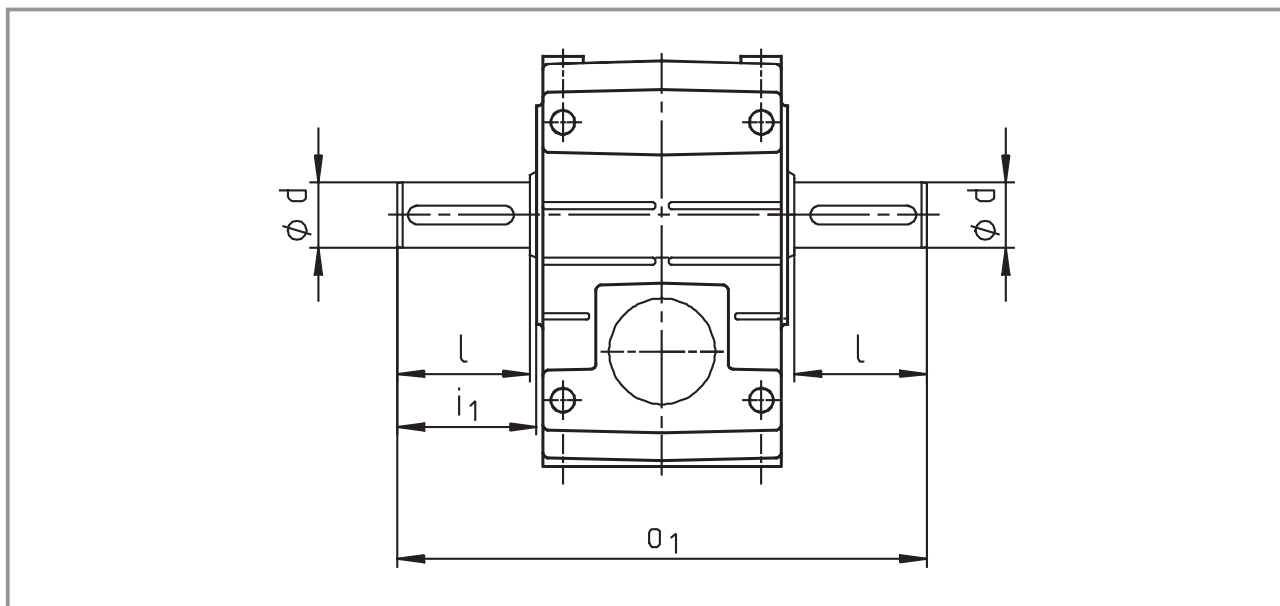
6

Gearbox size	Machine shaft*		Hollow shaft with shrink disc						Cover	
	d	Fit	$i_1$	$g_2$	$k_{10}$	$l$	$l_1$	$f_5$	$g_3$	$k_{11}$
04	25 30	h6	2.5	72	147.5	142	122	26	79	156
05	35	h6	4	80	173.5		168	148	28	90 181
06	40	h6	5	90	199.5		194	164	30	100 206
07	50	h6	5	110	237.5		232	192	26	124 246
09	65	h6	5	141	285		278	228	30	159 289
11	80	h6	6	170	344		338	238	42	191 351
14	100	h6	7	215	415		407	307	55	253 423

Dimensions in [mm]

\* Ensure that the strength of the shaft material is adequate in shrink disc designs. When using typical steels (e.g. C45, 42CrMo4), the torques listed in the selection tables can be used without restriction. When using material that is considerably weaker, please consult us. The average surface roughness Rz must not exceed 15  $\mu\text{m}$  (turning operation is sufficient).

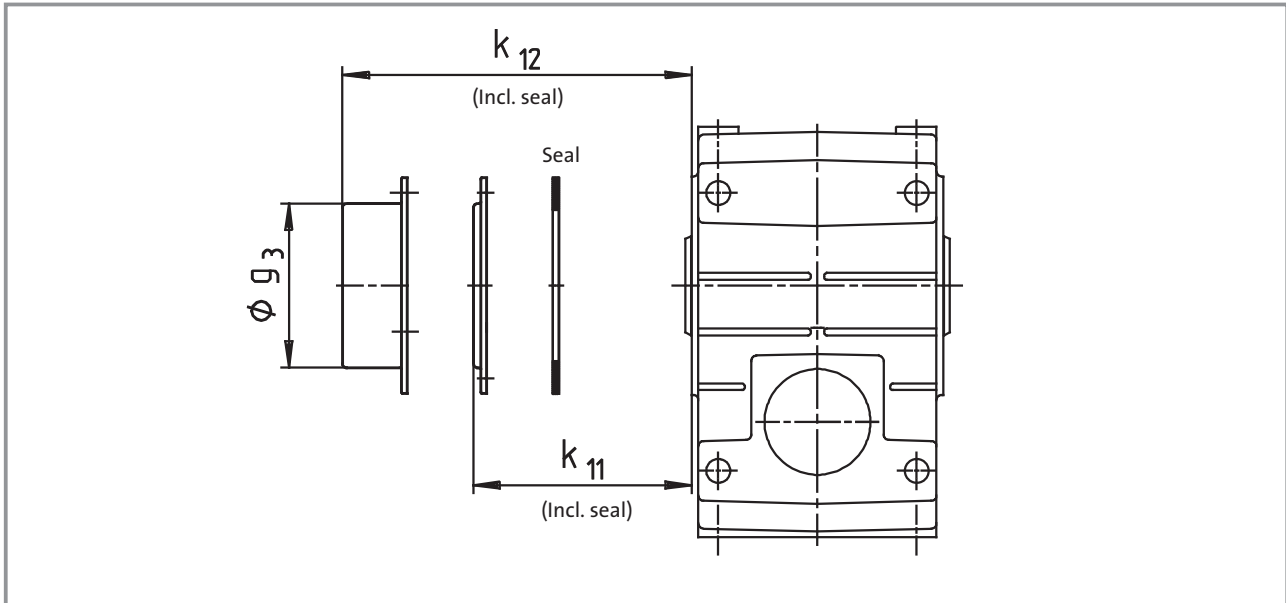
## Gearbox with 2nd output shaft end



Gearbox size	d	l	$i_1$	$o_1$
04	25	50	52.5	215
05	30	60	64	260
06	40	80	85	320
07	50	100	105	400
09	60	120	125	480
11	80	160	166	610
14	100	200	207	750

Dimensions in [mm]

## Hoseproof hollow shaft cover

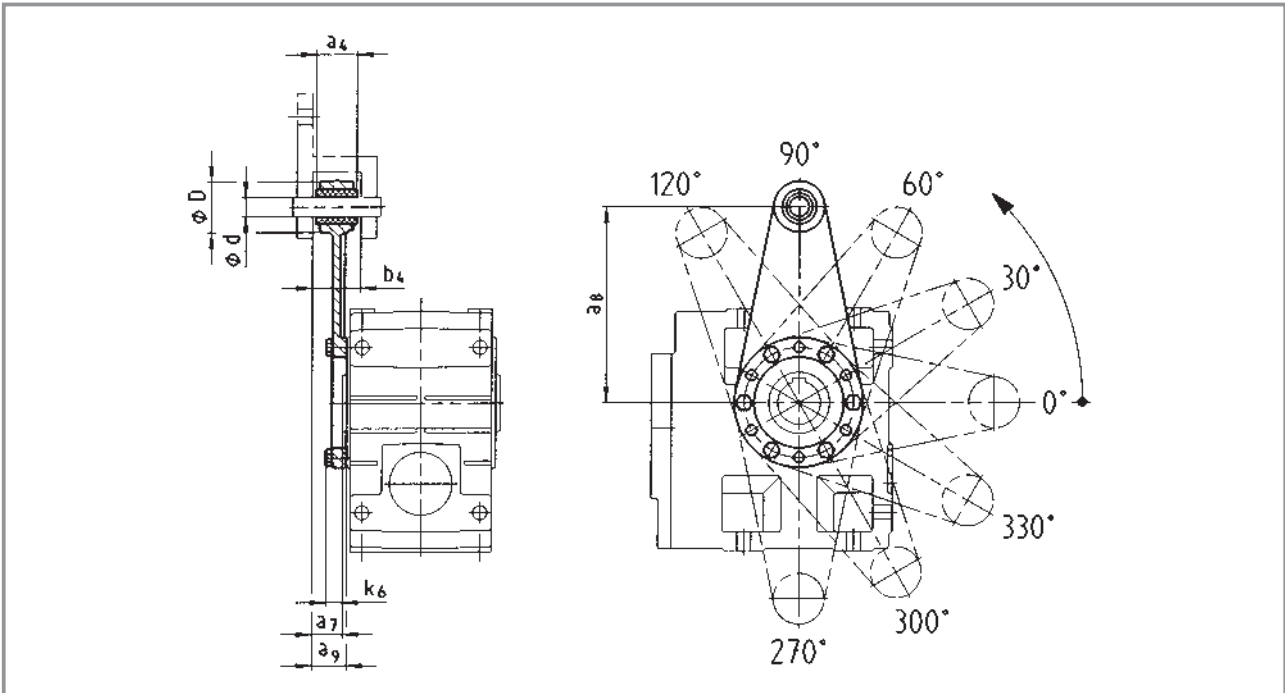


Gearbox size	$k_{11}$	Cover $k_{12}$	$g_3$
04	11		
05	12		
06	13		
07	13		
09		56	159
11		69	191
14		82	253

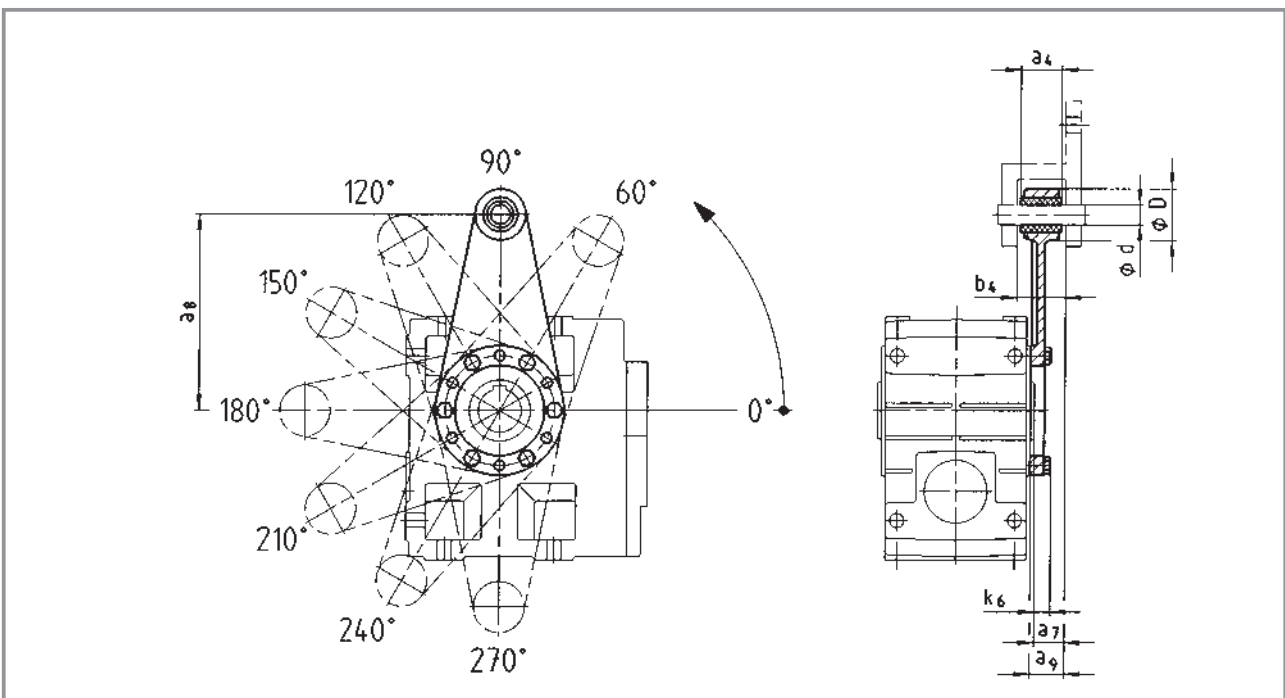
Dimensions in [mm]



## Torque plate at pitch circle in position 3



## Torque plate at pitch circle in position 5



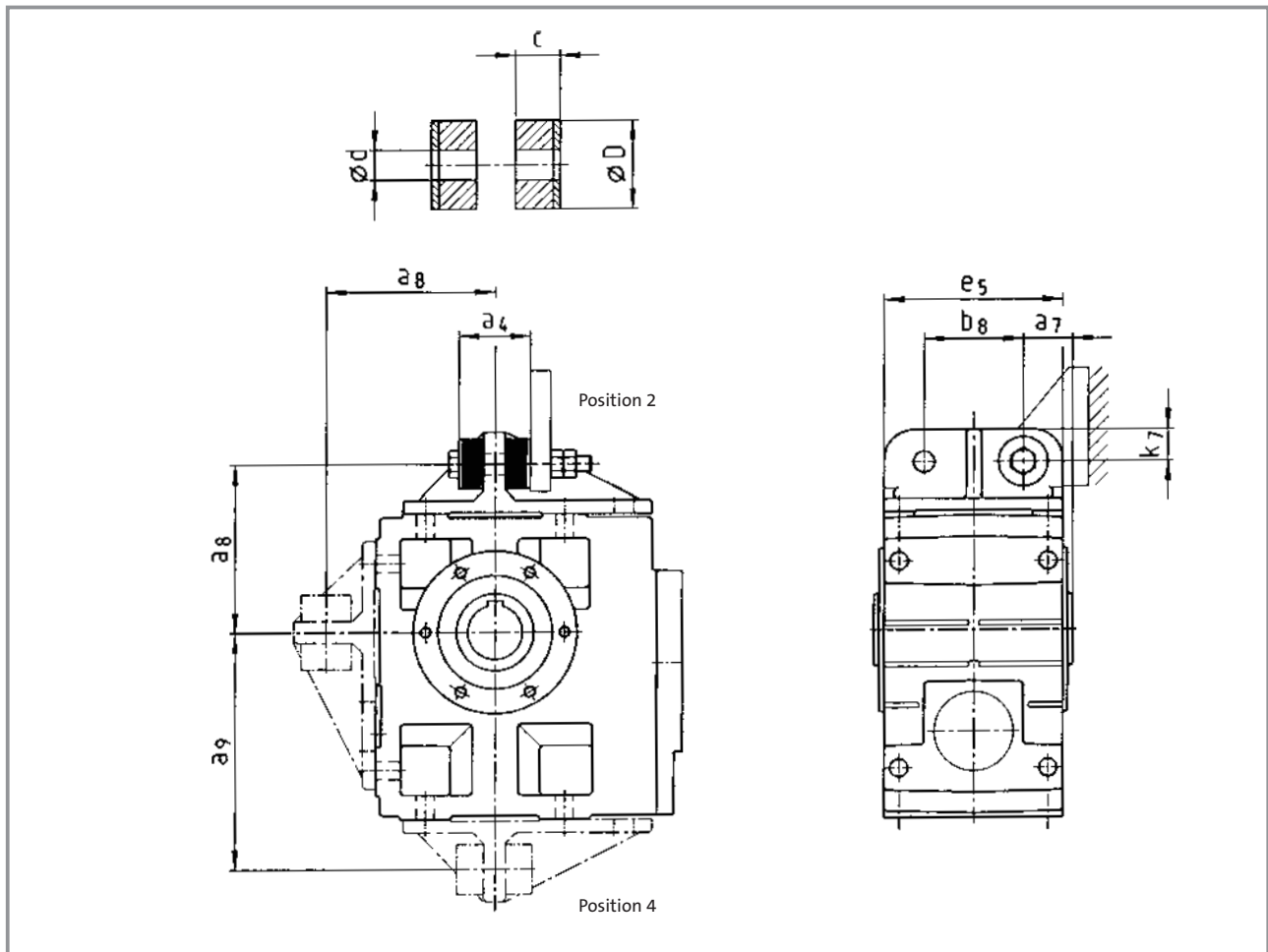
Gearbox size	Assembly space		Torque plate						
	a <sub>7</sub>	b <sub>4</sub>	a <sub>4</sub>	a <sub>8</sub>	a <sub>9</sub>	d	D	k <sub>6</sub>	
04	24	34.5	30	130	26.5	12	35	16	
05	23.5	38.5	34	160	27.5	16	45	15	
06	28	44.5	40	200	33	20	50	18	
07	32.5	50.5	46	250	37.5	25	65	21	

Dimensions in [mm]

# Helical-bevel gearbox dimensions

## Other dimensions GK□□

### Torque plate on housing foot

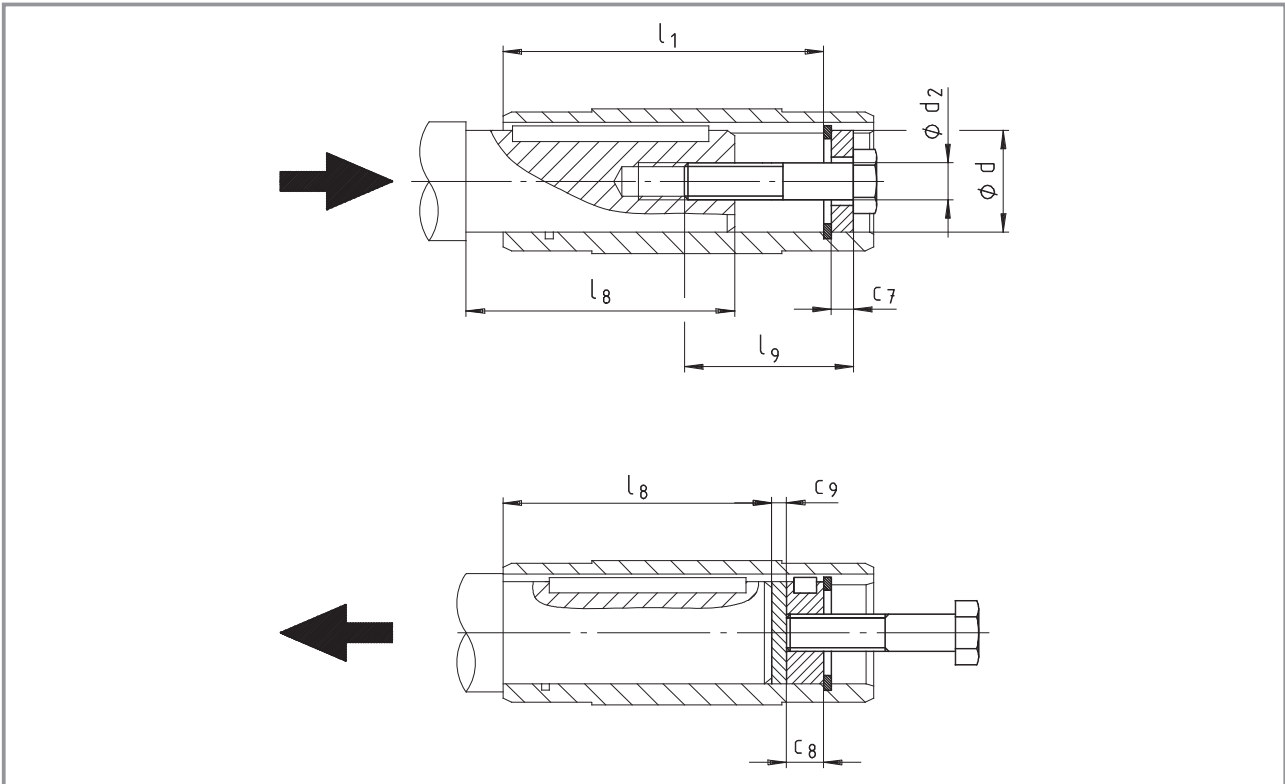


6

Gearbox size	a <sub>4</sub>	a <sub>7</sub>	a <sub>8</sub>	a <sub>9</sub>	b <sub>8</sub>	c	d	D	e <sub>5</sub>	k <sub>7</sub>
04	41	27.5	106	135	60	14.5	11	30	100	20
05	45	35	115	160	70	15	13	40	127	25
06	72	40	145	195	80	27	17	50	145	28
07	78	50	170	240	100	28	21	60	180	35
09	86	60	214	300	120	29	26	72	222	46
11	94	72.5	260	375	145	30	33	92	270	55
14	100	85	320	465	180	30	39	110	328	70

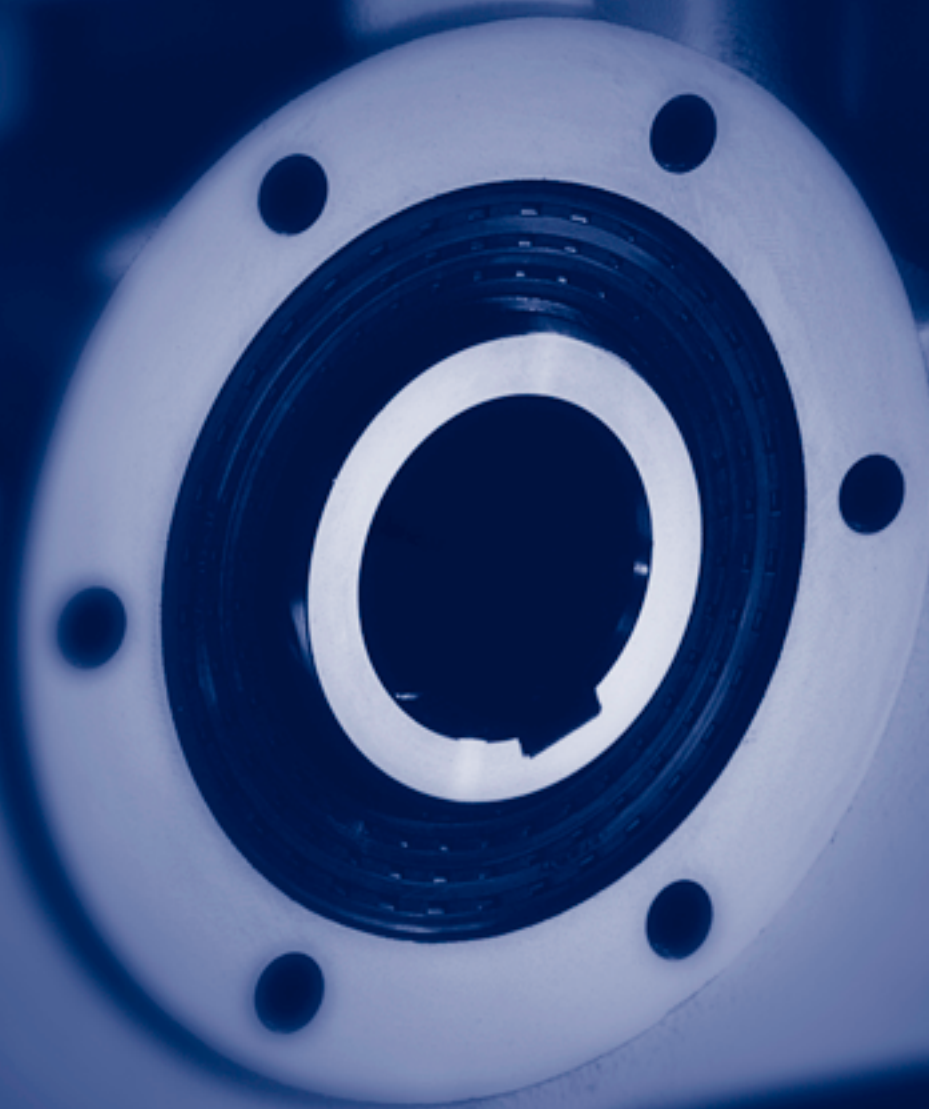
Dimensions in [mm]

## Mounting set for hollow shaft circlip - Proposed design for auxiliary tools



Gearbox size	Hollow shaft (design H)			Mounting set for hollow shaft circlip (mounting auxiliary tool)			Dismounting auxiliary tool		Machine shaft max l <sub>8</sub>
	l	l <sub>1</sub>	d H7	d <sub>2</sub>	l <sub>9</sub>	c <sub>7</sub>	c <sub>8</sub>	c <sub>9</sub>	
04	115	100	25 30	M10 M10	40	5 6	10	3	85
05	140	124	30 35	M10 M12	40 50	6 7	10 12	3	107
06	160	140	40 45	M16	60	8 9	16	4	118
07	200	175	50 55	M16 M20	60 80	10 11	16 20	5	148
09	240	210	60 70	M20	80	13 14	20	5	182
11	290	250	70 80	M20	80	14 16	20	6	221
14	350	305	100	M24	100	20	24	8	270

Dimensions in [mm]



# Helical-worm gearbox | G-motion atex

## Technical data

Permissible radial and axial forces	
Output	7-2
Start-up efficiency	7-4
Position of ventilation, sealing elements and oil control	7-5
Weights	7-7
Geared motors	7-7
Gearboxes with mounting flange	7-8
Additional weights	7-9

## Selection tables

Geared motors for	
Atex category 2G, 2D, 3G, 3D (zone 1, 21, 2, 22)	7-10
Gearboxes with mounting flange for	
Atex category 2GD, 3GD (zone 1, 21, 2, 22)	7-18

## Dimensions

Geared motors for	
Atex category 2G, 2D, 3G, 3D (zone 1, 21, 2, 22)	7-46
Gearboxes with mounting flange for	
Atex category 2GD, 3GD (zone 1, 21, 2, 22)	7-54
Other dimensions	7-70
Hollow shaft with shrink disc	7-70
With second output shaft end	7-71
Hoseproof hollow shaft cover	7-72
Torque plate at threaded pitch circle	7-73
Torque plate at housing foot	7-74
Mounting set for hollow shaft circlip	7-75
Proposed design for auxiliary tools	7-75

# Technical data - Helical-worm gearboxes

## Permissible radial and axial forces - Output

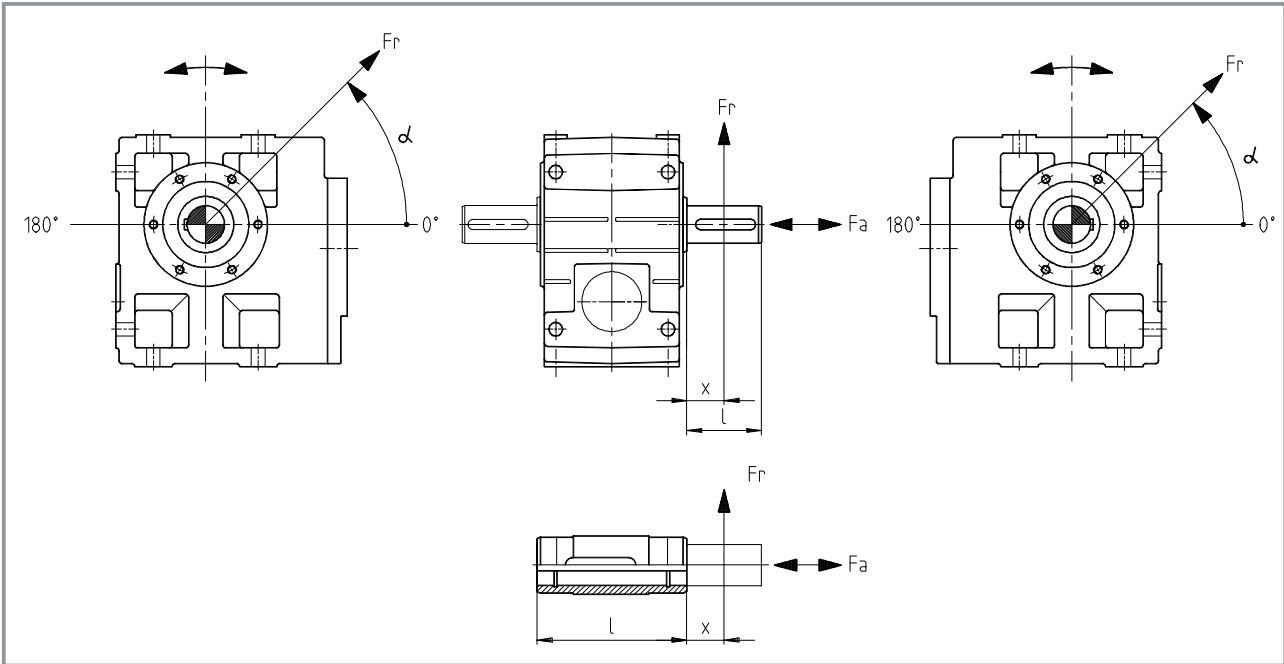
### Permissible radial force

$$F_{r \text{ perm}} = \min (f_w \cdot f_\alpha \cdot F_{r \text{ Tab}}; f_w \cdot F_{r \text{ max}})$$

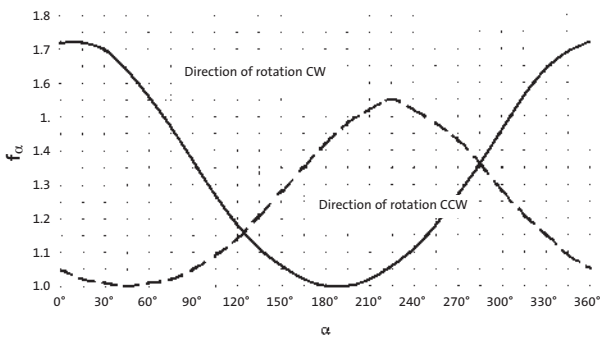
### Permissible axial force

$$F_{a \text{ perm}} = F_{a \text{ Tab}} \quad \text{at } F_r = 0$$

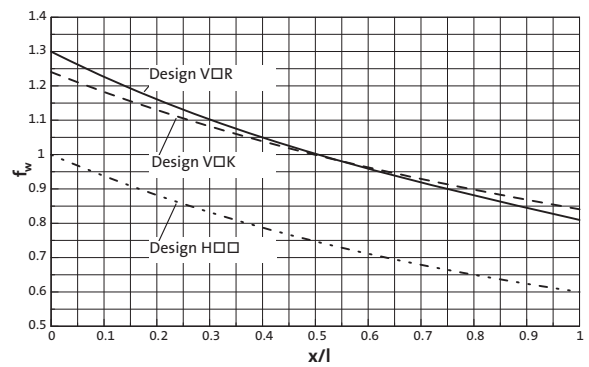
Contact Lenze if  $F_r$  and  $F_a \neq 0$



**$f_\alpha$**  Effective direction factor at output shaft



**$f_w$**  Additional load factor at output shaft



# Technical data - Helical-worm gearboxes

## Permissible radial and axial forces - Output

VAK	Solid shaft with flange Application of force $F_r$ : centre of shaft journal ( $x = l/2$ ) $F_{a\ Tab}$ only valid for $F_r = 0$							
	GSS04		GSS05		GSS06		GSS07	
$n_2$ [rpm]	$F_{r\ Tab}$ [N]	$F_{a\ Tab}$ [N]	$F_{r\ Tab}$ [N]	$F_{a\ Tab}$ [N]	$F_{r\ Tab}$ [N]	$F_{a\ Tab}$ [N]	$F_{r\ Tab}$ [N]	$F_{a\ Tab}$ [N]
250	2700	2300	3200	1600	4600	1800	5200	1600
160	2900	2600	3200	2000	5400	2300	6000	2100
100	3100	2800	3200	2600	6200	3000	7000	2800
63	3100	2800	3200	3200	6200	3800	8200	3900
40	3100	2800	3200	3600	6200	4800	9300	5300
25	3100	2800	3200	3600	6200	5800	9300	6600
≤16	3100	2800	3200	3600	6200	5800	9300	6600
$F_{r\ max}$	3100	-	3200	-	6200	-	9300	-

VOR	Solid shaft without flange Application of force $F_r$ : centre of shaft journal ( $x = l/2$ ) $F_{a\ Tab}$ only valid for $F_r = 0$							
	GSS04		GSS05		GSS06		GSS07	
$n_2$ [rpm]	$F_{r\ Tab}$ [N]	$F_{a\ Tab}$ [N]	$F_{r\ Tab}$ [N]	$F_{a\ Tab}$ [N]	$F_{r\ Tab}$ [N]	$F_{a\ Tab}$ [N]	$F_{r\ Tab}$ [N]	$F_{a\ Tab}$ [N]
250	2000	2400	1900	1800	2400	2100	2800	2000
160	2300	2800	2200	2300	2800	2700	3400	2700
100	2700	3200	2600	2900	3300	3400	4200	3600
63	2800	3600	2800	3600	3900	4300	5100	4800
40	2800	3600	2800	4000	4600	5400	6200	6300
25	2800	3600	2800	4000	5400	6000	7500	8300
≤16	2800	3600	2800	4000	5600	6000	8000	8300
$F_{r\ max}$	2800	-	2800	-	5600	-	8000	-

H00	Hollow shaft Application of force $F_r$ : at hollow shaft end face ( $x = 0$ ) $F_{a\ Tab}$ only valid for $F_r = 0$							
	GSS04		GSS05		GSS06		GSS07	
$n_2$ [rpm]	$F_{r\ Tab}$ [N]	$F_{a\ Tab}$ [N]	$F_{r\ Tab}$ [N]	$F_{a\ Tab}$ [N]	$F_{r\ Tab}$ [N]	$F_{a\ Tab}$ [N]	$F_{r\ Tab}$ [N]	$F_{a\ Tab}$ [N]
250	2500	2400	2400	1800	3200	2100	3700	2000
160	3000	2800	2800	2300	3700	2700	4400	2700
100	3500	3200	3400	2900	4400	3400	5400	3600
63	4000	3600	4000	3600	5100	4300	6600	4800
40	4000	3600	4600	4000	6000	5400	8000	6300
25	4000	3600	5000	4000	7100	6000	9800	8300
≤16	4000	3600	5000	4000	7600	6000	10600	8300
$F_{r\ max}$	4000	-	5000	-	7600	-	10600	-

Neither radial nor axial forces are permitted on hollow shafts with shrink discs (S□□).

## Technical data - Helical-worm gearboxes

### Start-up efficiency

During start-up, the start-up efficiency  $\eta_A$  of a helical-worm gearbox is lower than its operative efficiency  $\eta$  at rated speed.

**The start-up efficiency  $\eta_A$  must therefore always be considered when starting under load.**

The start-up efficiency is determined by the oil temperature and the degree to which the tooth faces have been run in.

The values given in the tables are theoretical values and are valid with a tolerance of  $\pm 10\%$ .

Ratio $i_r$	Start-up efficiency $\eta_A$
5.6	0.71
8	0.71
9	0.67
10	0.71
11.2	0.71
12.5	0.67
14	0.71
16	0.67
18	0.67
20	0.55
22.4	0.67
25	0.55
28	0.67
31.5	0.55
35.5	0.67

Ratio $i_r$	Start-up efficiency $\eta_A$
40	0.55
45	0.67
50	0.55
56	0.55
63	0.55
71	0.55
80	0.55
90	0.55
100	0.55
112	0.55
125	0.55
140	0.55
160	0.55
180	0.55
200	0.55

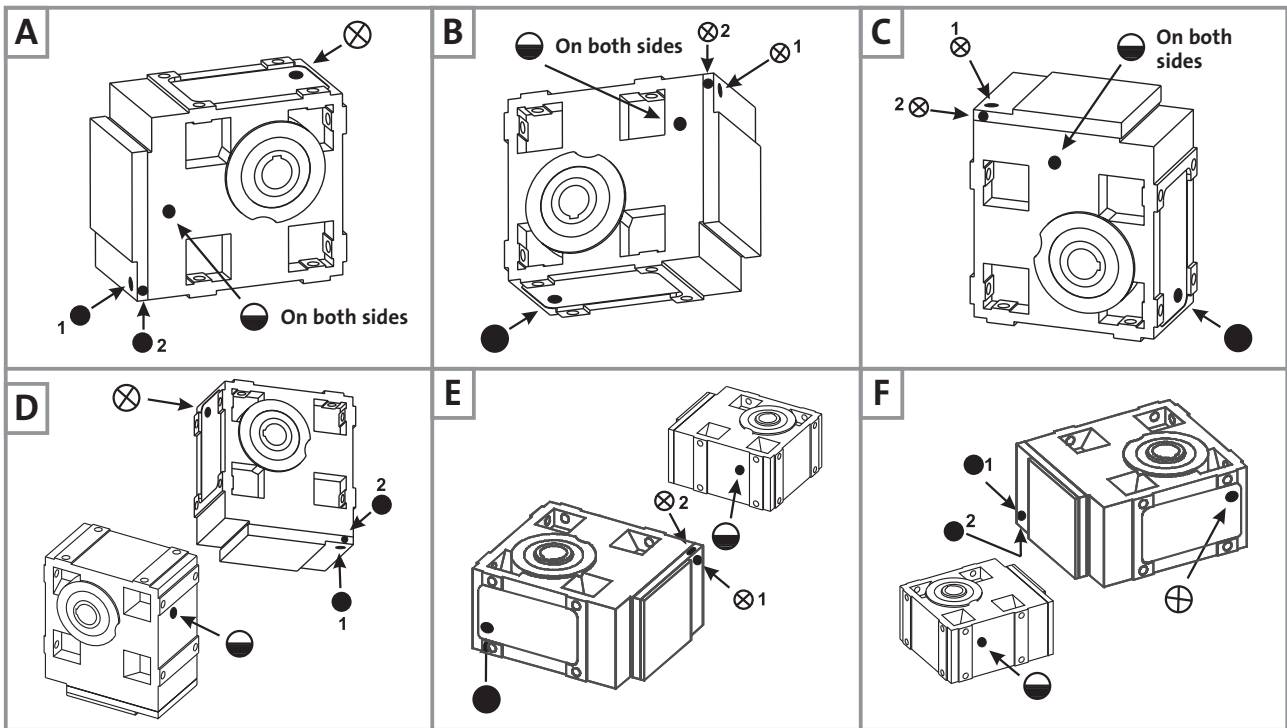


# Technical data - Helical-worm gearboxes

Position of ventilation, sealing elements and oil control

GSS04...07-2 with oil-sight glass

GSS05...07-2 with ventilation (option), oil filler and oil drain plugs



(A ... F) Mounting position  
 ⊗ Ventilation/oil filler plug  
 ● Oil drain plug

◐ Oil-sight glass

Pos. 1 standard

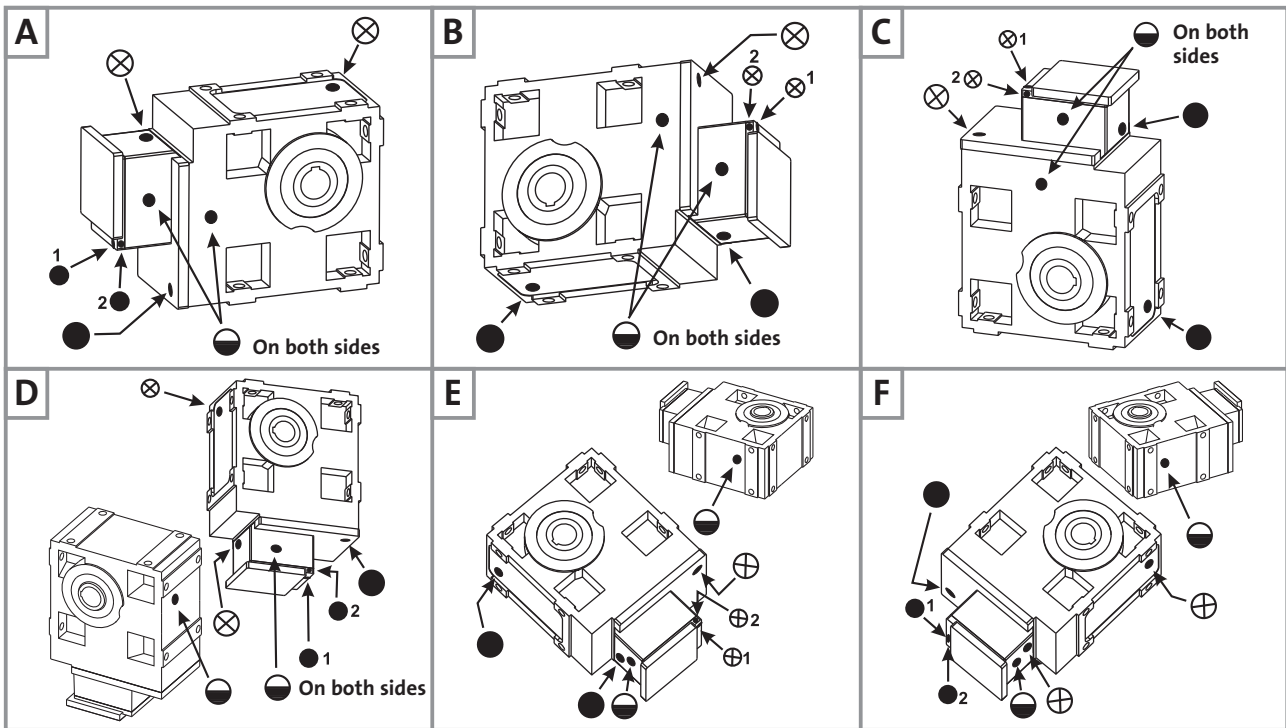
Pos. 2 only with GSS05-2M □□□ 090/100  
 GSS05-2N □□□ □D/□E  
 GSS06-2M □□□ 112  
 GSS07-2N □□□ □H

# Technical data - Helical-worm gearboxes

## Position of ventilation, sealing elements and oil control

GSS05...07-3 with oil-sight glass

GSS05...07-3 with ventilation (option), oil filler and oil drain plugs



(A ... F) Mounting position

⊗ Ventilation/oil filler plug

● Oil drain plug

◐ Oil-sight glass

Pos. 1 standard

Pos. 2 only with GSS07-3M□□□ 090/100  
GSS07-3N□□□ □□/□□

# Technical data - Helical-worm gearboxes

## Weights - Geared motors

### GSS□□-2M H□□

Gearbox size	Motor frame size					
	063 □□□	071 □□□	080 □□□	090 □□□	100 □□□	112 -22
04	16	18	23	31		
05	25	28	32	40	49	
06	38	40	44	53	62	74
07			69	78	86	99

### GSS□□-3M H□□

Gearbox size	Motor frame size				
	063 □□□	071 □□□	080 □□□	090 □□□	100 □□□
05	26	28	33		
06	41	44	48	56	
07	71	73	77	85	94

Weights in [kg] with oil capacity for mounting position A. All data is approximate.

Note the additional weights on page 7-9.

# Technical data - Helical-worm gearboxes

## Weights - Gearboxes with mounting flange

### GSS□□-2N HDR

Gearbox size	Drive size											
	1A	1B 2B	□C	□D	1E 2E 3E	4E	1F 2F	3F	1G 3G	2G	1H	3H
04	15	15	18	21								
05		25	28	30	33	36						
06		37	40	43	45	49	47	51				
07			65	68	70	74	72	75	95	92	103	99

### GSS□□-3N HDR

Gearbox size	Drive size					
	1A	1B 2B	□C	□D	1E 2E 3E	4E
05	25	26	29			
06	40	41	44	46		
07		70	73	75	78	81

Weights in [kg] with oil capacity for mounting position A. All data is approximate.

Note the additional weights on page 7-9.



### Gearbox additional weights

Gearbox size	Solid shaft V□□	Second output shaft end V□□	Hollow shaft with shrink disc S□□	Flange □AK	Torque plate housing foot	Torque plate threaded pitch circle
04	0.6	0.2	0.6	2.5	1.3	0.9
05	1.0	0.3	0.8	4.0	2.2	1.3
06	2.5	0.8	1.0	7.0	3.7	2.1
07	5.0	1.5	1.5	11	6.6	3.7

Weights in [kg]

# Helical-worm gearbox selection tables

Geared motors for Atex category 2G, 2D, 3G, 3D (zone 1, 21, 2, 22)

50 Hz			i	Helical-worm geared motor	Consultation required for mounting position
n <sub>2</sub> [rpm]	M <sub>2</sub> [Nm]	c			

## P<sub>1</sub> = 0.12 kW

128	8	5.2	10.827	GSS04 - 2M□□□ 063-12	
100	10	4.8	13.810	GSS04 - 2M□□□ 063-12	
80	12	5.2	17.360	GSS04 - 2M□□□ 063-12	
62	16	4.8	22.143	GSS04 - 2M□□□ 063-12	
41	24	5.3	34.100	GSS04 - 2M□□□ 063-12	
35	25	5.2	39.200	GSS04 - 2M□□□ 063-12	
31	31	4.4	43.917	GSS04 - 2M□□□ 063-12	
28	32	4.5	50.000	GSS04 - 2M□□□ 063-12	
20	44	3.3	68.200	GSS04 - 2M□□□ 063-12	
18	49	3.0	77.000	GSS04 - 2M□□□ 063-12	
16	57	2.6	87.833	GSS04 - 2M□□□ 063-12	
14	63	2.3	99.167	GSS04 - 2M□□□ 063-12	
12	72	2.1	111.318	GSS04 - 2M□□□ 063-12	
11	80	1.9	125.682	GSS04 - 2M□□□ 063-12	
9.9	89	1.7	139.500	GSS04 - 2M□□□ 063-12	
8.8	99	1.5	157.500	GSS04 - 2M□□□ 063-12	
7.5	116	1.3	183.786	GSS04 - 2M□□□ 063-12	
6.7	127	1.2	207.500	GSS04 - 2M□□□ 063-12	
6.2	137	2.2	222.133	GSS05 - 3M□□□ 063-12	
5.5	155	1.9	250.952	GSS05 - 3M□□□ 063-12	
4.9	171	1.7	283.333	GSS05 - 3M□□□ 063-12	
4.4	191	3.1	310.689	GSS06 - 3M□□□ 063-12	
3.9	214	2.7	350.778	GSS06 - 3M□□□ 063-12	
3.6	228	1.3	386.467	GSS05 - 3M□□□ 063-12	
3.6	233	2.5	386.467	GSS06 - 3M□□□ 063-12	
3.2	251	1.2	436.333	GSS05 - 3M□□□ 063-12	
3.2	261	2.3	436.333	GSS06 - 3M□□□ 063-12	
2.8	285	1.1	497.722	GSS05 - 3M□□□ 063-12	
2.8	293	2.0	497.722	GSS06 - 3M□□□ 063-12	
2.5	327	1.8	561.944	GSS06 - 3M□□□ 063-12	
2.2	361	1.6	630.803	GSS06 - 3M□□□ 063-12	
1.9	403	1.5	712.197	GSS06 - 3M□□□ 063-12	
1.7	452	1.3	816.333	GSS06 - 3M□□□ 063-12	
1.5	506	1.2	921.667	GSS06 - 3M□□□ 063-12	
1.4	550	1.1	1023.000	GSS06 - 3M□□□ 063-12	

## P<sub>1</sub> = 0.18 kW

127	12	3.5	10.827	GSS04 - 2M□□□ 063-32	
99	15	3.2	13.810	GSS04 - 2M□□□ 063-32	
79	19	3.5	17.360	GSS04 - 2M□□□ 063-32	
62	24	3.2	22.143	GSS04 - 2M□□□ 063-32	
40	37	3.5	34.100	GSS04 - 2M□□□ 063-32	
35	38	3.5	39.200	GSS04 - 2M□□□ 063-32	
31	47	2.9	43.917	GSS04 - 2M□□□ 063-32	
27	49	3.0	50.000	GSS04 - 2M□□□ 063-32	
20	68	2.2	68.200	GSS04 - 2M□□□ 063-32	
18	75	2.0	77.000	GSS04 - 2M□□□ 063-32	
16	87	1.7	87.833	GSS04 - 2M□□□ 063-32	
14	97	1.5	99.167	GSS04 - 2M□□□ 063-32	
12	110	1.4	111.318	GSS04 - 2M□□□ 063-32	
11	121	1.2	125.682	GSS04 - 2M□□□ 063-32	
9.8	136	1.1	139.500	GSS04 - 2M□□□ 063-32	
9.6	141	3.2	142.857	GSS06 - 3M□□□ 063-32	
8.8	152	3.2	155.000	GSS06 - 3M□□□ 063-32	
7.8	171	3.2	175.000	GSS06 - 3M□□□ 063-32	
7.1	196	1.5	193.233	GSS05 - 3M□□□ 063-32	
7.0	189	3.1	194.857	GSS06 - 3M□□□ 063-32	
6.2	212	2.8	220.000	GSS06 - 3M□□□ 063-32	
6.2	209	1.4	222.133	GSS05 - 3M□□□ 063-32	
5.7	229	2.6	238.700	GSS06 - 3M□□□ 063-32	
5.5	236	1.3	250.952	GSS05 - 3M□□□ 063-32	
5.1	257	2.3	269.500	GSS06 - 3M□□□ 063-32	
4.8	261	1.1	283.333	GSS05 - 3M□□□ 063-32	
4.4	292	2.0	310.689	GSS06 - 3M□□□ 063-32	
3.9	328	1.8	350.778	GSS06 - 3M□□□ 063-32	
3.5	356	1.7	386.467	GSS06 - 3M□□□ 063-32	
3.1	399	1.5	436.333	GSS06 - 3M□□□ 063-32	
2.8	446	1.3	497.722	GSS06 - 3M□□□ 063-32	
2.4	499	1.2	561.944	GSS06 - 3M□□□ 063-32	
2.2	549	1.1	630.803	GSS06 - 3M□□□ 063-32	

For dimensions, see page 7-46 onwards.

# Helical-worm gearbox selection tables

Geared motors for Atex category 2G, 2D, 3G, 3D (zone 1, 21, 2, 22)

50 Hz			i	Helical-worm geared motor	Consultation required for mounting position
n <sub>2</sub> [rpm]	M <sub>2</sub> [Nm]	c			

### P<sub>1</sub> = 0.25 kW

239	9	5.6	5.639	GSS04 - 2M□□□ 071-12	
175	12	5.6	7.733	GSS04 - 2M□□□ 071-12	
149	13	5.6	9.042	GSS04 - 2M□□□ 071-12	
125	17	5.6	10.827	GSS05 - 2M□□□ 071-12	
109	18	5.6	12.400	GSS04 - 2M□□□ 071-12	
98	21	5.9	13.810	GSS04 - 2M□□□ 071-12	
85	23	5.9	15.869	GSS04 - 2M□□□ 071-12	
78	26	5.5	17.360	GSS04 - 2M□□□ 071-12	
66	27	4.3	20.417	GSS04 - 2M□□□ 071-12	
61	33	4.3	22.143	GSS04 - 2M□□□ 071-12	
54	34	3.8	24.800	GSS04 - 2M□□□ 071-12	
50	41	3.5	27.125	GSS04 - 2M□□□ 071-12	
43	44	3.2	31.738	GSS04 - 2M□□□ 071-12	
40	52	2.8	34.100	GSS04 - 2M□□□ 071-12	
34	54	2.7	39.200	GSS04 - 2M□□□ 071-12	
31	67	2.2	43.917	GSS04 - 2M□□□ 071-12	
27	69	2.1	50.000	GSS04 - 2M□□□ 071-12	
25	77	1.9	54.250	GSS04 - 2M□□□ 071-12	
22	85	1.7	61.250	GSS04 - 2M□□□ 071-12	
20	97	1.5	68.200	GSS04 - 2M□□□ 071-12	
19	101	2.9	70.611	GSS05 - 2M□□□ 071-12	
18	107	1.4	77.000	GSS04 - 2M□□□ 071-12	
17	112	2.6	79.722	GSS05 - 2M□□□ 071-12	
15	124	1.2	87.833	GSS04 - 2M□□□ 071-12	
15	125	2.4	87.833	GSS05 - 2M□□□ 071-12	
14	137	1.1	99.167	GSS04 - 2M□□□ 071-12	
14	139	2.1	99.167	GSS05 - 2M□□□ 071-12	
12	162	1.8	113.667	GSS05 - 2M□□□ 071-12	
11	179	1.7	128.333	GSS05 - 2M□□□ 071-12	
11	182	3.2	128.333	GSS06 - 2M□□□ 071-12	
9.8	195	1.5	137.950	GSS05 - 2M□□□ 071-12	
9.8	195	3.0	137.950	GSS06 - 2M□□□ 071-12	
8.7	216	1.4	155.750	GSS05 - 2M□□□ 071-12	
8.7	220	2.7	155.750	GSS06 - 2M□□□ 071-12	
7.7	245	2.4	174.375	GSS06 - 2M□□□ 071-12	
7.7	246	1.2	176.313	GSS05 - 2M□□□ 071-12	
6.9	276	2.1	196.875	GSS06 - 2M□□□ 071-12	
6.8	272	1.1	199.063	GSS05 - 2M□□□ 071-12	
6.7	283	3.5	201.746	GSS07 - 3M□□□ 071-12	
6.1	302	2.0	220.000	GSS06 - 3M□□□ 071-12	
6.1	296	1.0	222.133	GSS05 - 3M□□□ 071-12	
5.9	319	3.1	227.778	GSS07 - 3M□□□ 071-12	
5.7	326	1.8	238.700	GSS06 - 3M□□□ 071-12	
5.5	345	2.9	247.139	GSS07 - 3M□□□ 071-12	
5.0	365	1.6	269.500	GSS06 - 3M□□□ 071-12	
4.8	389	2.6	279.028	GSS07 - 3M□□□ 071-12	
4.4	415	1.4	310.689	GSS06 - 3M□□□ 071-12	
4.2	444	2.3	321.673	GSS07 - 3M□□□ 071-12	
3.9	465	1.3	350.778	GSS06 - 3M□□□ 071-12	
3.7	499	2.0	363.179	GSS07 - 3M□□□ 071-12	
3.5	505	1.2	386.467	GSS06 - 3M□□□ 071-12	
3.4	537	1.9	394.245	GSS07 - 3M□□□ 071-12	
3.1	565	1.1	436.333	GSS06 - 3M□□□ 071-12	
3.0	602	1.7	445.116	GSS07 - 3M□□□ 071-12	
2.8	655	1.6	490.403	GSS07 - 3M□□□ 071-12	
2.4	734	1.4	553.681	GSS07 - 3M□□□ 071-12	
2.1	826	1.2	634.639	GSS07 - 3M□□□ 071-12	
1.9	924	1.1	716.528	GSS07 - 3M□□□ 071-12	

### P<sub>1</sub> = 0.37 kW

239	13	3.8	5.639	GSS04 - 2M□□□ 071-32	
175	18	3.8	7.733	GSS04 - 2M□□□ 071-32	
149	20	3.8	9.042	GSS04 - 2M□□□ 071-32	
136	23	4.4	9.897	GSS04 - 2M□□□ 071-32	
125	25	3.8	10.827	GSS05 - 2M□□□ 071-32	
109	28	3.8	12.400	GSS04 - 2M□□□ 071-32	
98	32	4.0	13.810	GSS04 - 2M□□□ 071-32	
85	35	4.0	15.869	GSS04 - 2M□□□ 071-32	

For dimensions, see page 7-46 onwards.

# Helical-worm gearbox selection tables

Geared motors for Atex category 2G, 2D, 3G, 3D (zone 1, 21, 2, 22)

50 Hz			i	Helical-worm geared motor	Consultation required for mounting position
n <sub>2</sub> [rpm]	M <sub>2</sub> [Nm]	c			

## P<sub>1</sub> = 0.37 kW

78	39	3.7	17.360	GSS04 - 2M□□□ 071-32	
66	41	2.9	20.417	GSS04 - 2M□□□ 071-32	
61	50	2.9	22.143	GSS04 - 2M□□□ 071-32	
54	51	2.6	24.800	GSS04 - 2M□□□ 071-32	
50	62	2.4	27.125	GSS04 - 2M□□□ 071-32	
43	66	2.2	31.738	GSS04 - 2M□□□ 071-32	
40	78	1.9	34.100	GSS04 - 2M□□□ 071-32	
34	81	1.8	39.200	GSS04 - 2M□□□ 071-32	
34	82	3.1	39.200	GSS05 - 2M□□□ 071-32	
31	100	2.9	43.917	GSS05 - 2M□□□ 071-32	
31	100	1.5	43.917	GSS04 - 2M□□□ 071-32	
27	103	1.4	50.000	GSS04 - 2M□□□ 071-32	
27	105	2.6	50.000	GSS05 - 2M□□□ 071-32	
25	115	1.3	54.250	GSS04 - 2M□□□ 071-32	
22	127	1.2	61.250	GSS04 - 2M□□□ 071-32	
20	144	1.0	68.200	GSS04 - 2M□□□ 071-32	
19	151	2.0	70.611	GSS05 - 2M□□□ 071-32	
17	168	1.8	79.722	GSS05 - 2M□□□ 071-32	
15	187	1.6	87.833	GSS05 - 2M□□□ 071-32	
14	208	1.4	99.167	GSS05 - 2M□□□ 071-32	
12	241	1.2	113.667	GSS05 - 2M□□□ 071-32	
12	242	2.4	113.667	GSS06 - 2M□□□ 071-32	
11	267	1.1	128.333	GSS05 - 2M□□□ 071-32	
11	272	2.2	128.333	GSS06 - 2M□□□ 071-32	
9.8	290	1.0	137.950	GSS05 - 2M□□□ 071-32	
9.8	292	2.0	137.950	GSS06 - 2M□□□ 071-32	
8.7	329	1.8	155.750	GSS06 - 2M□□□ 071-32	
7.7	367	1.6	174.375	GSS06 - 2M□□□ 071-32	
6.9	412	1.4	196.875	GSS06 - 2M□□□ 071-32	
6.7	425	2.4	201.746	GSS07 - 3M□□□ 071-32	
6.1	451	1.3	220.000	GSS06 - 3M□□□ 071-32	
5.9	479	2.1	227.778	GSS07 - 3M□□□ 071-32	
5.7	485	1.2	238.700	GSS06 - 3M□□□ 071-32	
5.5	517	2.0	247.139	GSS07 - 3M□□□ 071-32	
5.0	544	1.1	269.500	GSS06 - 3M□□□ 071-32	
4.8	581	1.8	279.028	GSS07 - 3M□□□ 071-32	
4.2	663	1.5	321.673	GSS07 - 3M□□□ 071-32	
3.7	744	1.4	363.179	GSS07 - 3M□□□ 071-32	
3.4	800	1.3	394.245	GSS07 - 3M□□□ 071-32	
3.0	897	1.1	445.116	GSS07 - 3M□□□ 071-32	
2.8	976	1.1	490.403	GSS07 - 3M□□□ 071-32	

## P<sub>1</sub> = 0.55 kW

243	19	5.5	5.639	GSS04 - 2M□□□ 080-12	
177	26	4.9	7.733	GSS04 - 2M□□□ 080-12	
152	29	4.0	9.042	GSS04 - 2M□□□ 080-12	
138	33	4.2	9.897	GSS04 - 2M□□□ 080-12	
127	37	3.9	10.827	GSS04 - 2M□□□ 080-12	
111	41	3.2	12.400	GSS04 - 2M□□□ 080-12	
99	47	3.1	13.810	GSS04 - 2M□□□ 080-12	
86	53	2.7	15.869	GSS04 - 2M□□□ 080-12	
79	58	2.6	17.360	GSS04 - 2M□□□ 080-12	
67	61	2.0	20.417	GSS04 - 2M□□□ 080-12	
62	74	2.0	22.143	GSS04 - 2M□□□ 080-12	
55	76	1.8	24.800	GSS04 - 2M□□□ 080-12	
51	91	3.1	27.125	GSS05 - 2M□□□ 080-12	
51	91	1.6	27.125	GSS04 - 2M□□□ 080-12	
43	98	1.5	31.738	GSS04 - 2M□□□ 080-12	
43	99	2.4	31.738	GSS05 - 2M□□□ 080-12	
40	115	1.3	34.100	GSS04 - 2M□□□ 080-12	
39	119	2.5	35.306	GSS05 - 2M□□□ 080-12	
35	119	1.3	39.200	GSS04 - 2M□□□ 080-12	
35	121	2.1	39.200	GSS05 - 2M□□□ 080-12	
31	147	1.0	43.917	GSS04 - 2M□□□ 080-12	
31	148	2.0	43.917	GSS05 - 2M□□□ 080-12	
27	155	1.8	50.000	GSS05 - 2M□□□ 080-12	
25	171	1.7	54.250	GSS05 - 2M□□□ 080-12	

For dimensions, see page 7-46 onwards.



# Helical-worm gearbox selection tables

Geared motors for Atex category 2G, 2D, 3G, 3D (zone 1, 21, 2, 22)

50 Hz			i	Helical-worm geared motor	Consultation required for mounting position
n <sub>2</sub> [rpm]	M <sub>2</sub> [Nm]	c			
<b>P<sub>1</sub> = 0.55 kW</b>					
22	190	1.5	61.250	GSS05 - 2M□□□ 080-12	
19	222	2.7	70.611	GSS06 - 2M□□□ 080-12	
19	222	1.3	70.611	GSS05 - 2M□□□ 080-12	
17	247	1.2	79.722	GSS05 - 2M□□□ 080-12	
17	251	2.4	79.722	GSS06 - 2M□□□ 080-12	
16	276	1.1	87.833	GSS05 - 2M□□□ 080-12	
16	277	2.1	87.833	GSS06 - 2M□□□ 080-12	
14	312	1.9	99.167	GSS06 - 2M□□□ 080-12	
12	357	1.7	113.667	GSS06 - 2M□□□ 080-12	
12	362	2.8	113.667	GSS07 - 2M□□□ 080-12	
11	402	1.5	128.333	GSS06 - 2M□□□ 080-12	
11	409	2.5	128.333	GSS07 - 2M□□□ 080-12	
9.9	432	1.4	137.950	GSS06 - 2M□□□ 080-12	
9.9	440	2.3	137.950	GSS07 - 2M□□□ 080-12	
8.8	486	1.2	155.750	GSS06 - 2M□□□ 080-12	
8.8	496	2.1	155.750	GSS07 - 2M□□□ 080-12	
7.9	540	1.1	174.375	GSS06 - 2M□□□ 080-12	
7.9	554	1.8	174.375	GSS07 - 2M□□□ 080-12	
7.0	624	1.6	196.875	GSS07 - 2M□□□ 080-12	
6.8	628	1.6	201.746	GSS07 - 3M□□□ 080-12	
6.0	707	1.5	227.778	GSS07 - 3M□□□ 080-12	
5.5	763	1.3	247.139	GSS07 - 3M□□□ 080-12	
4.9	857	1.2	279.028	GSS07 - 3M□□□ 080-12	
4.3	977	1.1	321.673	GSS07 - 3M□□□ 080-12	

<b>P<sub>1</sub> = 0.75 kW</b>					
243	26	4.0	5.639	GSS04 - 2M□□□ 080-32	
177	36	3.6	7.733	GSS04 - 2M□□□ 080-32	
152	41	3.0	9.042	GSS04 - 2M□□□ 080-32	
138	46	3.0	9.897	GSS04 - 2M□□□ 080-32	
127	51	2.9	10.827	GSS04 - 2M□□□ 080-32	
111	56	2.4	12.400	GSS04 - 2M□□□ 080-32	
99	65	2.3	13.810	GSS04 - 2M□□□ 080-32	
86	72	2.0	15.869	GSS04 - 2M□□□ 080-32	
79	79	3.1	17.360	GSS05 - 2M□□□ 080-32	
79	79	1.9	17.360	GSS04 - 2M□□□ 080-32	
67	83	1.5	20.417	GSS04 - 2M□□□ 080-32	
62	102	2.6	22.143	GSS05 - 2M□□□ 080-32	
62	102	1.5	22.143	GSS04 - 2M□□□ 080-32	
55	104	1.3	24.800	GSS04 - 2M□□□ 080-32	
51	125	1.2	27.125	GSS04 - 2M□□□ 080-32	
51	125	2.3	27.125	GSS05 - 2M□□□ 080-32	
43	134	1.1	31.738	GSS04 - 2M□□□ 080-32	
43	136	1.8	31.738	GSS05 - 2M□□□ 080-32	
39	163	1.8	35.306	GSS05 - 2M□□□ 080-32	
35	166	1.5	39.200	GSS05 - 2M□□□ 080-32	
31	202	2.8	43.917	GSS06 - 2M□□□ 080-32	
31	203	1.5	43.917	GSS05 - 2M□□□ 080-32	
27	213	1.3	50.000	GSS05 - 2M□□□ 080-32	
27	215	2.6	50.000	GSS06 - 2M□□□ 080-32	
25	234	1.2	54.250	GSS05 - 2M□□□ 080-32	
22	261	1.1	61.250	GSS05 - 2M□□□ 080-32	
19	305	1.9	70.611	GSS06 - 2M□□□ 080-32	
17	345	1.7	79.722	GSS06 - 2M□□□ 080-32	
16	380	1.6	87.833	GSS06 - 2M□□□ 080-32	
14	428	1.4	99.167	GSS06 - 2M□□□ 080-32	
12	490	1.2	113.667	GSS06 - 2M□□□ 080-32	
12	498	2.0	113.667	GSS07 - 2M□□□ 080-32	
11	551	1.1	128.333	GSS06 - 2M□□□ 080-32	
11	562	1.8	128.333	GSS07 - 2M□□□ 080-32	
9.9	591	1.0	137.950	GSS06 - 2M□□□ 080-32	
9.9	604	1.7	137.950	GSS07 - 2M□□□ 080-32	
8.8	680	1.5	155.750	GSS07 - 2M□□□ 080-32	
7.9	760	1.4	174.375	GSS07 - 2M□□□ 080-32	
7.0	855	1.2	196.875	GSS07 - 2M□□□ 080-32	
6.8	861	1.2	201.746	GSS07 - 3M□□□ 080-32	
6.0	968	1.1	227.778	GSS07 - 3M□□□ 080-32	

For dimensions, see page 7-46 onwards.

# Helical-worm gearbox selection tables

Geared motors for Atex category 2G, 2D, 3G, 3D (zone 1, 21, 2, 22)

50 Hz			i	Helical-worm geared motor	Consultation required for mounting position
n <sub>2</sub> [rpm]	M <sub>2</sub> [Nm]	c			

## P<sub>1</sub> = 1.1 kW

249	37	3.1	5.639	GSS04 - 2M□□□ 090-12	
182	52	2.5	7.733	GSS04 - 2M□□□ 090-12	
155	59	2.1	9.042	GSS04 - 2M□□□ 090-12	
142	67	2.1	9.897	GSS04 - 2M□□□ 090-12	
130	72	3.2	10.827	GSS05 - 2M□□□ 090-12	
130	73	2.0	10.827	GSS04 - 2M□□□ 090-12	
113	81	1.7	12.400	GSS04 - 2M□□□ 090-12	
113	81	2.7	12.400	GSS05 - 2M□□□ 090-12	
102	93	2.7	13.810	GSS05 - 2M□□□ 090-12	
102	93	1.6	13.810	GSS04 - 2M□□□ 090-12	
89	104	1.4	15.869	GSS04 - 2M□□□ 090-12	
89	104	2.3	15.869	GSS05 - 2M□□□ 090-12	
81	114	1.3	17.360	GSS04 - 2M□□□ 090-12	
81	114	2.2	17.360	GSS05 - 2M□□□ 090-12	
69	120	1.0	20.417	GSS04 - 2M□□□ 090-12	
69	122	1.6	20.417	GSS05 - 2M□□□ 090-12	
64	146	1.0	22.143	GSS04 - 2M□□□ 090-12	
64	146	1.8	22.143	GSS05 - 2M□□□ 090-12	
57	152	1.5	24.800	GSS05 - 2M□□□ 090-12	
52	178	3.2	27.125	GSS06 - 2M□□□ 090-12	
52	180	1.6	27.125	GSS05 - 2M□□□ 090-12	
44	196	2.5	31.738	GSS06 - 2M□□□ 090-12	
44	196	1.2	31.738	GSS05 - 2M□□□ 090-12	
40	233	2.5	35.306	GSS06 - 2M□□□ 090-12	
40	234	1.3	35.306	GSS05 - 2M□□□ 090-12	
36	239	1.1	39.200	GSS05 - 2M□□□ 090-12	
36	242	2.1	39.200	GSS06 - 2M□□□ 090-12	
32	291	2.0	43.917	GSS06 - 2M□□□ 090-12	
32	291	1.0	43.917	GSS05 - 2M□□□ 090-12	
28	310	1.8	50.000	GSS06 - 2M□□□ 090-12	
28	312	3.2	50.000	GSS07 - 2M□□□ 090-12	
26	337	1.7	54.250	GSS06 - 2M□□□ 090-12	
23	381	1.5	61.250	GSS06 - 2M□□□ 090-12	
20	440	1.4	70.611	GSS06 - 2M□□□ 090-12	
20	445	2.3	70.611	GSS07 - 2M□□□ 090-12	
18	496	1.2	79.722	GSS06 - 2M□□□ 090-12	
18	502	2.0	79.722	GSS07 - 2M□□□ 090-12	
16	546	1.9	86.542	GSS07 - 2M□□□ 090-12	
16	546	1.1	87.833	GSS06 - 2M□□□ 090-12	
14	617	1.7	97.708	GSS07 - 2M□□□ 090-12	
12	718	1.4	113.667	GSS07 - 2M□□□ 090-12	
11	809	1.3	128.333	GSS07 - 2M□□□ 090-12	
10	869	1.2	137.950	GSS07 - 2M□□□ 090-12	
9.0	978	1.1	155.750	GSS07 - 2M□□□ 090-12	

## P<sub>1</sub> = 1.5 kW

251	51	2.3	5.639	GSS04 - 2M□□□ 090-32	
183	70	3.0	7.733	GSS05 - 2M□□□ 090-32	
183	71	1.9	7.733	GSS04 - 2M□□□ 090-32	
157	80	1.5	9.042	GSS04 - 2M□□□ 090-32	
157	80	2.5	9.042	GSS05 - 2M□□□ 090-32	
143	90	2.5	9.897	GSS05 - 2M□□□ 090-32	
143	91	1.6	9.897	GSS04 - 2M□□□ 090-32	
131	99	2.3	10.827	GSS05 - 2M□□□ 090-32	
131	99	1.5	10.827	GSS04 - 2M□□□ 090-32	
114	110	1.2	12.400	GSS04 - 2M□□□ 090-32	
114	111	2.0	12.400	GSS05 - 2M□□□ 090-32	
103	127	2.0	13.810	GSS05 - 2M□□□ 090-32	
103	127	1.2	13.810	GSS04 - 2M□□□ 090-32	
89	142	1.0	15.869	GSS04 - 2M□□□ 090-32	
89	142	1.7	15.869	GSS05 - 2M□□□ 090-32	
82	154	3.2	17.360	GSS06 - 2M□□□ 090-32	
82	156	1.6	17.360	GSS05 - 2M□□□ 090-32	
69	166	1.2	20.417	GSS05 - 2M□□□ 090-32	
64	198	2.7	22.143	GSS06 - 2M□□□ 090-32	
64	199	1.3	22.143	GSS05 - 2M□□□ 090-32	
57	207	1.1	24.800	GSS05 - 2M□□□ 090-32	
52	243	2.3	27.125	GSS06 - 2M□□□ 090-32	
52	245	1.2	27.125	GSS05 - 2M□□□ 090-32	

For dimensions, see page 7-46 onwards.

# Helical-worm gearbox selection tables

Geared motors for Atex category 2G, 2D, 3G, 3D (zone 1, 21, 2, 22)



50 Hz			i	Helical-worm geared motor	Consultation required for mounting position
n <sub>2</sub> [rpm]	M <sub>2</sub> [Nm]	c			
<b>P<sub>1</sub> = 1.5 kW</b>					
45	267	1.8	31.738	GSS06 - 2M□□□ 090-32	
40	318	1.9	35.306	GSS06 - 2M□□□ 090-32	
40	318	2.9	35.306	GSS07 - 2M□□□ 090-32	
36	330	1.5	39.200	GSS06 - 2M□□□ 090-32	
33	392	2.5	43.271	GSS07 - 2M□□□ 090-32	
32	396	1.5	43.917	GSS06 - 2M□□□ 090-32	
28	422	1.3	50.000	GSS06 - 2M□□□ 090-32	
28	426	2.3	50.000	GSS07 - 2M□□□ 090-32	
26	459	1.3	54.250	GSS06 - 2M□□□ 090-32	
23	518	1.1	61.250	GSS06 - 2M□□□ 090-32	
20	598	1.0	70.611	GSS06 - 2M□□□ 090-32	
20	606	1.7	70.611	GSS07 - 2M□□□ 090-32	
18	685	1.5	79.722	GSS07 - 2M□□□ 090-32	
16	744	1.4	86.542	GSS07 - 2M□□□ 090-32	
15	839	1.2	97.708	GSS07 - 2M□□□ 090-32	
12	976	1.1	113.667	GSS07 - 2M□□□ 090-32	
<b>P<sub>1</sub> = 2.2 kW</b>					
253	75	2.7	5.639	GSS05 - 2M□□□ 100-12	
184	103	2.0	7.733	GSS05 - 2M□□□ 100-12	
158	117	1.7	9.042	GSS05 - 2M□□□ 100-12	
144	133	1.7	9.897	GSS05 - 2M□□□ 100-12	
132	145	1.6	10.827	GSS05 - 2M□□□ 100-12	
127	149	3.1	11.200	GSS06 - 2M□□□ 100-12	
115	161	2.8	12.400	GSS06 - 2M□□□ 100-12	
115	162	1.4	12.400	GSS05 - 2M□□□ 100-12	
103	186	1.4	13.810	GSS05 - 2M□□□ 100-12	
100	191	2.6	14.286	GSS06 - 2M□□□ 100-12	
90	207	2.3	15.869	GSS06 - 2M□□□ 100-12	
90	208	1.2	15.869	GSS05 - 2M□□□ 100-12	
82	227	2.2	17.360	GSS06 - 2M□□□ 100-12	
82	228	1.1	17.360	GSS05 - 2M□□□ 100-12	
70	248	1.7	20.417	GSS06 - 2M□□□ 100-12	
64	291	1.8	22.143	GSS06 - 2M□□□ 100-12	
58	304	1.5	24.800	GSS06 - 2M□□□ 100-12	
53	357	2.8	27.125	GSS07 - 2M□□□ 100-12	
53	357	1.6	27.125	GSS06 - 2M□□□ 100-12	
46	385	2.4	31.000	GSS07 - 2M□□□ 100-12	
45	391	1.3	31.738	GSS06 - 2M□□□ 100-12	
40	466	1.3	35.306	GSS06 - 2M□□□ 100-12	
40	467	2.2	35.306	GSS07 - 2M□□□ 100-12	
36	483	1.1	39.200	GSS06 - 2M□□□ 100-12	
36	489	1.9	39.200	GSS07 - 2M□□□ 100-12	
33	574	1.8	43.271	GSS07 - 2M□□□ 100-12	
32	580	1.0	43.917	GSS06 - 2M□□□ 100-12	
29	626	1.6	50.000	GSS07 - 2M□□□ 100-12	
26	681	1.5	54.250	GSS07 - 2M□□□ 100-12	
23	769	1.3	61.250	GSS07 - 2M□□□ 100-12	
20	888	1.2	70.611	GSS07 - 2M□□□ 100-12	
18	1002	1.0	79.722	GSS07 - 2M□□□ 100-12	
<b>P<sub>1</sub> = 3.0 kW</b>					
251	103	1.9	5.639	GSS05 - 2M□□□ 100-32	
183	142	1.5	7.733	GSS05 - 2M□□□ 100-32	
177	146	2.9	8.000	GSS06 - 2M□□□ 100-32	
157	161	2.5	9.042	GSS06 - 2M□□□ 100-32	
157	162	1.2	9.042	GSS05 - 2M□□□ 100-32	
143	183	1.2	9.897	GSS05 - 2M□□□ 100-32	
138	189	2.4	10.238	GSS06 - 2M□□□ 100-32	
131	200	1.2	10.827	GSS05 - 2M□□□ 100-32	
126	207	2.3	11.200	GSS06 - 2M□□□ 100-32	
114	223	2.1	12.400	GSS06 - 2M□□□ 100-32	
103	256	1.0	13.810	GSS05 - 2M□□□ 100-32	
99	265	1.9	14.286	GSS06 - 2M□□□ 100-32	
99	265	2.7	14.286	GSS07 - 2M□□□ 100-32	
89	287	1.7	15.869	GSS06 - 2M□□□ 100-32	
82	313	3.0	17.360	GSS07 - 2M□□□ 100-32	
82	314	1.6	17.360	GSS06 - 2M□□□ 100-32	

For dimensions, see page 7-46 onwards.

# Helical-worm gearbox selection tables

Geared motors for Atex category 2G, 2D, 3G, 3D (zone 1, 21, 2, 22)

50 Hz			i	Helical-worm geared motor	Consultation required for mounting position
n <sub>2</sub> [rpm]	M <sub>2</sub> [Nm]	c			
<b>P<sub>1</sub> = 3.0 kW</b>					
69	343	1.2	20.417	GSS06 - 2M□□□ 100-32	
64	402	2.5	22.143	GSS07 - 2M□□□ 100-32	
64	402	1.3	22.143	GSS06 - 2M□□□ 100-32	
57	420	1.1	24.800	GSS06 - 2M□□□ 100-32	
52	493	1.2	27.125	GSS06 - 2M□□□ 100-32	
52	494	2.1	27.125	GSS07 - 2M□□□ 100-32	
46	533	1.7	31.000	GSS07 - 2M□□□ 100-32	
40	646	1.6	35.306	GSS07 - 2M□□□ 100-32	
36	676	1.4	39.200	GSS07 - 2M□□□ 100-32	
33	793	1.3	43.271	GSS07 - 2M□□□ 100-32	
28	865	1.2	50.000	GSS07 - 2M□□□ 100-32	
26	940	1.1	54.250	GSS07 - 2M□□□ 100-32	
<b>P<sub>1</sub> = 4.0 kW</b>					
245	141	2.5	5.833	GSS06 - 2M□□□ 112-22	
179	195	2.2	8.000	GSS06 - 2M□□□ 112-22	
158	214	1.9	9.042	GSS06 - 2M□□□ 112-22	
157	216	2.9	9.086	GSS07 - 2M□□□ 112-22	
143	244	2.9	10.000	GSS07 - 2M□□□ 112-22	
140	250	1.8	10.238	GSS06 - 2M□□□ 112-22	
128	274	2.7	11.200	GSS07 - 2M□□□ 112-22	
128	274	1.7	11.200	GSS06 - 2M□□□ 112-22	
115	296	1.6	12.400	GSS06 - 2M□□□ 112-22	
114	301	2.6	12.594	GSS07 - 2M□□□ 112-22	
100	351	1.5	14.286	GSS06 - 2M□□□ 112-22	
100	352	2.1	14.286	GSS07 - 2M□□□ 112-22	
92	371	2.5	15.500	GSS07 - 2M□□□ 112-22	
90	380	1.3	15.869	GSS06 - 2M□□□ 112-22	
82	416	1.2	17.360	GSS06 - 2M□□□ 112-22	
82	416	2.3	17.360	GSS07 - 2M□□□ 112-22	
70	463	1.6	20.517	GSS07 - 2M□□□ 112-22	
65	532	1.0	22.143	GSS06 - 2M□□□ 112-22	
65	533	1.9	22.143	GSS07 - 2M□□□ 112-22	
57	572	1.5	25.188	GSS07 - 2M□□□ 112-22	
53	656	1.6	27.125	GSS07 - 2M□□□ 112-22	
46	707	1.3	31.000	GSS07 - 2M□□□ 112-22	
41	856	1.2	35.306	GSS07 - 2M□□□ 112-22	
37	895	1.1	39.200	GSS07 - 2M□□□ 112-22	

For dimensions, see page 7-46 onwards.



# Helical-worm gearbox selection table

Gearboxes with mounting flange for Atex category 2GD, 3GD (zone 1, 21, 2, 22)

$M_2 \text{ perm} \leq 150 \text{ Nm}$		GSS04-2N □□□					Temperature class				
Gearbox with	Mounting flange size Motor frame size Flange diameter	i	$P_1 \text{ perm}$	$M_2 \text{ perm}$	$n_2$	$\eta_G$	T3 (G) $\cong$ 190 °C (D) T4 (G) $\cong$ 125 °C (D)				
							Mounting position				
			[kW]	[Nm]	[rpm]		A, B, E, F	C	D		
<b><math>n_1 = 2800 \text{ rpm}</math></b>											
GSS04-2N □□□	1A	10.827	1.27	43	259	0.91	T3	T3	-		
	63	13.810	1.18	51	203	0.91	T3	T3	-		
	90	17.360	1.27	66	161	0.88	T3	T3	-		
		22.143	1.18	79	127	0.88	T3	T3	-		
		34.100	1.29	133	82	0.88	T4	T4	-		
		39.200	1.20	126	71	0.79	T4	T3	-		
		43.917	1.08	143	64	0.88	T4	T4	-		
		50.000	1.10	149	56	0.79	T4	T3	-		
		68.200	0.79	150	41	0.81	T4	T4	-		
		77.000	0.72	150	36	0.80	T4	T4	-		
		87.833	0.62	150	32	0.81	T4	T4	-		
		99.167	0.56	150	28	0.79	T4	T4	-		
		111.318	0.49	150	25	0.81	T4	T4	-		
		125.682	0.44	150	22	0.79	T4	T4	-		
		139.500	0.39	150	20	0.81	T4	T4	-		
		157.500	0.35	150	18	0.79	T4	T4	-		
		183.786	0.30	150	15	0.80	T4	T4	-		
		207.500	0.27	150	14	0.78	T4	T4	-		
		GSS04-2N □□□ □B	1B 2B	5.639	2.75	47	497	0.88	T3	T3	-
			71 63	7.733	2.75	65	362	0.90	T3	T3	-
105 90	9.042		2.75	73	310	0.86	T3	T3	-		
	9.897		2.44	75	283	0.91	T3	T3	-		
	10.827		2.33	78	259	0.91	T3	T3	-		
	12.400		2.75	101	226	0.87	T3	T3	-		
	13.810		1.97	84	203	0.91	T3	T3	-		
	15.869		2.44	116	176	0.88	T3	T3	-		
	17.360		2.33	121	161	0.88	T3	T3	-		
	20.417		1.79	94	137	0.76	T3	T3	-		
	22.143		1.97	131	127	0.88	T3	T3	-		
	24.800		1.59	106	113	0.79	T3	T3	-		
	27.125		1.69	138	103	0.88	T4	T3	-		
	31.738		1.37	118	88	0.80	T3	T3	-		
	34.100		1.41	145	82	0.88	T4	T4	-		
	39.200		1.20	126	71	0.79	T3	T3	-		
	43.917		1.13	150	64	0.88	T4	T4	-		
	50.000		1.10	149	56	0.79	T4	T3	-		
	54.250		1.00	150	52	0.81	T4	T4	-		
	61.250		0.90	150	46	0.80	T4	T4	-		
68.200	0.79	150	41	0.81	T4	T4	-				
77.000	0.72	150	36	0.80	T4	T4	-				
87.833	0.62	150	32	0.81	T4	T4	-				
99.167	0.56	150	28	0.79	T4	T4	-				
111.318	0.49	150	25	0.81	T4	T4	-				
125.682	0.44	150	22	0.79	T4	T4	-				
139.500	0.39	150	20	0.81	T4	T4	-				
157.500	0.35	150	18	0.79	T4	T4	-				
GSS04-2N □□□ □C	1C 2C 3C 4C 6C 7C	5.639	3.42	58	497	0.88	T3	T3	-		
	80 71 71 71 63 80	7.733	3.74	89	362	0.90	T3	T3	-		
	160 160 105 120 160 120	9.042	3.57	95	310	0.86	T3	T3	-		
		9.897	3.74	114	283	0.91	T3	T3	-		
		10.827	3.66	123	259	0.91	T3	T3	-		
		12.400	2.92	107	226	0.87	T3	T3	-		
		13.810	3.08	132	203	0.91	T3	T3	-		
		15.869	2.48	118	176	0.88	T3	T3	-		
		17.360	2.41	125	161	0.88	T3	T3	-		
		20.417	1.79	94	137	0.76	T3	T3	-		
		22.143	2.22	148	127	0.88	T3	T3	-		
		24.800	1.59	106	113	0.79	T3	T3	-		
		27.125	1.84	150	103	0.88	T4	T3	-		
		31.738	1.37	118	88	0.80	T3	T3	-		
		34.100	1.46	150	82	0.88	T4	T4	-		

For dimensions, see page 7-54 onwards.

# Helical-worm gearbox selection table

Gearboxes with mounting flange for Atex category 2GD, 3GD (zone 1, 21, 2, 22)

$M_2 \text{ perm} \leq 150 \text{ Nm}$							GSS04-2N □□□								
Gearbox with	Mounting flange size						i	$P_{1 \text{ perm}}$	$M_2 \text{ perm}$	$n_2$	$\eta_G$	Temperature class			
	Motor frame size	Flange diameter		Flange diameter		T3 (G) $\cong$ 190 °C (D)						T4 (G) $\cong$ 125 °C (D)			
											Mounting position				
											A, B, E, F	C	D		
<b><math>n_1 = 2800 \text{ rpm}</math></b>															
GSS04-2N □□□	□C						39.200	1.20	126	71	0.79	T3	T3	-	
	1C	2C	3C	4C	6C	7C	43.917	1.13	150	64	0.88	T4	T4	-	
	80	71	71	71	63	80	50.000	1.10	149	56	0.79	T3	T3	-	
	160	160	105	120	160	120	54.250	1.00	150	52	0.81	T4	T3	-	
							61.250	0.90	150	46	0.80	T4	T3	-	
							68.200	0.79	150	41	0.81	T4	T4	-	
							77.000	0.72	150	36	0.80	T4	T4	-	
							87.833	0.62	150	32	0.81	T4	T4	-	
							99.167	0.56	150	28	0.79	T4	T4	-	
	GSS04-2N □□□	□D						5.639	3.42	58	497	0.88	T3	T3	-
		1D	2D					7.733	3.80	90	362	0.90	T3	T3	-
		90	80					9.042	3.57	95	310	0.86	T3	T3	-
		160	160					9.897	4.15	127	283	0.91	T3	T3	-
							10.827	4.01	135	259	0.91	T3	T3	-	
							12.400	2.92	107	226	0.87	T3	T3	-	
							13.810	3.50	150	203	0.91	T3	T3	-	
							15.869	2.48	118	176	0.88	T3	T3	-	
							17.360	2.41	125	161	0.88	T3	T3	-	
							20.417	1.79	94	137	0.76	T3	T3	-	
							22.143	2.22	148	127	0.88	T3	T3	-	
							24.800	1.59	106	113	0.79	T3	T3	-	
							27.125	1.84	150	103	0.88	T3	T3	-	
							31.738	1.37	118	88	0.80	T3	T3	-	
							39.200	1.20	126	71	0.79	T3	T3	-	
							50.000	1.10	149	56	0.79	T3	T3	-	
							54.250	1.00	150	52	0.81	T4	T3	-	
							61.250	0.90	150	46	0.80	T4	T3	-	
<b><math>n_1 = 1400 \text{ rpm}</math></b>															
GSS04-2N □□□		1A						10.827	0.63	43	129	0.91	T4	T4	T4
	63						13.810	0.59	51	101	0.91	T4	T4	T4	
	90						17.360	0.63	66	81	0.88	T4	T4	T4	
							22.143	0.59	79	63	0.88	T4	T4	T4	
							34.100	0.65	132	41	0.88	T4	T4	T4	
							39.200	0.63	135	36	0.80	T4	T4	T4	
							43.917	0.54	142	32	0.88	T4	T4	T4	
							50.000	0.55	150	28	0.79	T4	T4	T4	
							68.200	0.40	150	21	0.81	T4	T4	T4	
							77.000	0.36	150	18	0.79	T4	T4	T4	
							87.833	0.31	150	16	0.80	T4	T4	T4	
							99.167	0.28	150	14	0.78	T4	T4	T4	
							111.318	0.25	150	13	0.79	T4	T4	T4	
							125.682	0.23	150	11	0.77	T4	T4	T4	
							139.500	0.20	150	10	0.78	T4	T4	T4	
							157.500	0.18	150	8.9	0.76	T4	T4	T4	
							183.786	0.16	150	7.6	0.76	T4	T4	T4	
							207.500	0.14	150	6.8	0.74	T4	T4	T4	
	GSS04-2N □□□	□B						5.639	1.37	48	248	0.91	T3	T3	T3
		1B	2B					7.733	1.37	66	181	0.91	T4	T4	T4
71		63					9.042	1.37	74	155	0.88	T4	T4	T4	
105		90					9.897	1.22	75	142	0.91	T4	T4	T4	
							10.827	1.17	78	129	0.91	T4	T4	T4	
							12.400	1.37	102	113	0.88	T4	T4	T4	
							13.810	0.98	84	101	0.91	T4	T4	T4	
							15.869	1.22	117	88	0.88	T4	T4	T4	
							17.360	1.17	122	81	0.88	T4	T4	T4	
							20.417	1.11	121	69	0.78	T4	T4	T4	
							22.143	0.98	131	63	0.88	T4	T4	T4	

For dimensions, see page 7-54 onwards.

# Helical-worm gearbox selection table

Gearboxes with mounting flange for Atex category 2GD, 3GD (zone 1, 21, 2, 22)

$M_2 \text{ perm} \leq 150 \text{ Nm}$		GSS04-2N □□□								
Gearbox with	Mounting flange size Motor frame size Flange diameter	i	$P_1 \text{ perm}$	$M_2 \text{ perm}$	$n_2$	$\eta_G$	Temperature class			
							T3 (G) $\cong$ 190 °C (D)	T4 (G) $\cong$ 125 °C (D)		
							Mounting position			
							A, B, E, F	C	D	
<b><math>n_1 = 1400 \text{ rpm}</math></b>										
GSS04-2N □□□ □B	1B 2B	24.800	0.99	135	57	0.81	T4	T4	T4	
	71 63	27.125	0.85	138	52	0.88	T4	T4	T4	
	105 90	31.738	0.83	146	44	0.81	T4	T4	T4	
		34.100	0.71	145	41	0.88	T4	T4	T4	
		39.200	0.71	150	36	0.80	T4	T4	T4	
		43.917	0.57	149	32	0.88	T4	T4	T4	
		50.000	0.55	150	28	0.79	T4	T4	T4	
		54.250	0.50	150	26	0.81	T4	T4	T4	
		61.250	0.45	150	23	0.79	T4	T4	T4	
		68.200	0.40	150	21	0.81	T4	T4	T4	
		77.000	0.36	150	18	0.79	T4	T4	T4	
		87.833	0.31	150	16	0.80	T4	T4	T4	
		99.167	0.28	150	14	0.78	T4	T4	T4	
		111.318	0.25	150	13	0.79	T4	T4	T4	
		125.682	0.23	150	11	0.77	T4	T4	T4	
		139.500	0.20	150	10	0.78	T4	T4	T4	
		157.500	0.18	150	8.9	0.76	T4	T4	T4	
GSS04-2N □□□ □C	1C 2C 3C 4C 6C 7C	5.639	1.87	65	248	0.91	T3	T3	T3	
	80 71 71 71 63 80	7.733	1.87	90	181	0.91	T4	T3	T4	
	160 160 105 120 160 120	9.042	1.87	101	155	0.88	T3	T3	T3	
		9.897	1.87	115	142	0.91	T4	T4	T4	
		10.827	1.83	123	129	0.91	T4	T4	T4	
		12.400	1.81	135	113	0.88	T4	T4	T4	
		13.810	1.54	132	101	0.91	T4	T4	T4	
		15.869	1.52	145	88	0.88	T4	T4	T4	
		17.360	1.43	150	81	0.88	T4	T4	T4	
		20.417	1.11	121	69	0.78	T4	T4	T4	
		22.143	1.13	150	63	0.88	T4	T4	T4	
		24.800	0.99	135	57	0.81	T4	T4	T4	
		27.125	0.92	150	52	0.88	T4	T4	T4	
		31.738	0.83	146	44	0.81	T4	T4	T4	
		34.100	0.73	150	41	0.88	T4	T4	T4	
		39.200	0.71	150	36	0.80	T4	T4	T4	
		43.917	0.57	150	32	0.88	T4	T4	T4	
		50.000	0.55	150	28	0.79	T4	T4	T4	
		54.250	0.50	150	26	0.81	T4	T4	T4	
		61.250	0.45	150	23	0.79	T4	T4	T4	
		68.200	0.40	150	21	0.81	T4	T4	T4	
		77.000	0.36	150	18	0.79	T4	T4	T4	
		87.833	0.31	150	16	0.80	T4	T4	T4	
		99.167	0.28	150	14	0.78	T4	T4	T4	
	GSS04-2N □□□ □D	1D 2D	5.639	2.31	80	248	0.91	T3	T3	T3
		90 80	7.733	2.31	111	181	0.91	T3	T3	T3
		160 160	9.042	2.26	122	155	0.88	T3	T3	T3
		9.897	2.31	142	142	0.91	T4	T4	T4	
		10.827	2.20	148	129	0.91	T4	T4	T4	
		12.400	1.81	135	113	0.88	T4	T4	T4	
		13.810	1.75	150	101	0.91	T4	T4	T4	
		15.869	1.52	145	88	0.88	T4	T4	T4	
		17.360	1.43	150	81	0.88	T4	T4	T4	
		20.417	1.11	121	69	0.78	T4	T3	T4	
		22.143	1.13	150	63	0.88	T4	T4	T4	
		24.800	0.99	135	57	0.81	T4	T4	T4	
		27.125	0.92	150	52	0.88	T4	T4	T4	
		31.738	0.83	146	44	0.81	T4	T4	T4	
		39.200	0.71	150	36	0.80	T4	T4	T4	
		50.000	0.55	150	28	0.79	T4	T4	T4	
		54.250	0.50	150	26	0.81	T4	T4	T4	
		61.250	0.45	150	23	0.79	T4	T4	T4	

For dimensions, see page 7-54 onwards.



# Helical-worm gearbox selection table

Gearboxes with mounting flange for Atex category 2GD, 3GD (zone 1, 21, 2, 22)

$M_2 \text{ perm} \leq 150 \text{ Nm}$		GSS04-2N □□□							
Gearbox with	Mounting flange size Motor frame size Flange diameter	i	$P_{1 \text{ perm}}$	$M_2 \text{ perm}$	$n_2$	$\eta_G$	Temperature class		
							T3 (G) $\cong$ 190 °C (D) T4 (G) $\cong$ 125 °C (D)		
							Mounting position		
							A, B, E, F	C	D
<b><math>n_1 = 700 \text{ rpm}</math></b>									
GSS04-2N □□□	1A	10.827	0.32	43	65	0.91	T4	T4	T4
	63	13.810	0.30	50	51	0.90	T4	T4	T4
	90	17.360	0.32	66	40	0.88	T4	T4	T4
		22.143	0.30	78	32	0.88	T4	T4	T4
		34.100	0.32	130	21	0.86	T4	T4	T4
		39.200	0.32	134	18	0.79	T4	T4	T4
		43.917	0.27	138	16	0.85	T4	T4	T4
		50.000	0.28	150	14	0.78	T4	T4	T4
		68.200	0.21	150	10	0.78	T4	T4	T4
		77.000	0.19	150	9.1	0.76	T4	T4	T4
		87.833	0.16	150	8.0	0.76	T4	T4	T4
		99.167	0.15	150	7.1	0.74	T4	T4	T4
		111.318	0.13	150	6.3	0.75	T4	T4	T4
		125.682	0.12	150	5.6	0.73	T4	T4	T4
		139.500	0.11	150	5.0	0.73	T4	T4	T4
		157.500	0.10	150	4.4	0.70	T4	T4	T4
		183.786	0.09	150	3.8	0.70	T4	T4	T4
	207.500	0.08	150	3.4	0.68	T4	T4	T4	
GSS04-2N □□□	□B	5.639	0.72	51	124	0.91	T4	T4	T4
	1B 2B	7.733	0.72	69	91	0.91	T4	T4	T4
	71 63	9.042	0.72	79	77	0.88	T4	T4	T4
	105 90	9.897	0.61	75	71	0.91	T4	T4	T4
		10.827	0.58	78	65	0.91	T4	T4	T4
		12.400	0.72	108	57	0.88	T4	T4	T4
		13.810	0.49	84	51	0.90	T4	T4	T4
		15.869	0.61	116	44	0.88	T4	T4	T4
		17.360	0.58	121	40	0.88	T4	T4	T4
		20.417	0.65	143	34	0.79	T4	T4	T4
		22.143	0.49	130	32	0.88	T4	T4	T4
		24.800	0.52	143	28	0.81	T4	T4	T4
		27.125	0.42	136	26	0.87	T4	T4	T4
		31.738	0.42	146	22	0.81	T4	T4	T4
		34.100	0.35	142	21	0.86	T4	T4	T4
		39.200	0.36	150	18	0.79	T4	T4	T4
		43.917	0.28	145	16	0.85	T4	T4	T4
		50.000	0.28	150	14	0.78	T4	T4	T4
		54.250	0.26	150	13	0.79	T4	T4	T4
		61.250	0.23	150	11	0.77	T4	T4	T4
		68.200	0.21	150	10	0.78	T4	T4	T4
		77.000	0.19	150	9.1	0.76	T4	T4	T4
		87.833	0.16	150	8.0	0.76	T4	T4	T4
	99.167	0.15	150	7.1	0.74	T4	T4	T4	
	111.318	0.13	150	6.3	0.75	T4	T4	T4	
	125.682	0.12	150	5.6	0.73	T4	T4	T4	
	139.500	0.11	150	5.0	0.73	T4	T4	T4	
	157.500	0.10	150	4.4	0.70	T4	T4	T4	
GSS04-2N □□□	□C	5.639	1.14	79	124	0.91	T4	T4	T4
	1C 2C 3C 4C 6C 7C	7.733	1.14	109	91	0.91	T4	T4	T4
	80 71 71 71 63 80	9.042	1.14	124	77	0.88	T4	T4	T4
	160 160 105 120 160 120	9.897	0.96	117	71	0.91	T4	T4	T4
		10.827	0.91	123	65	0.91	T4	T4	T4
		12.400	0.96	143	57	0.88	T4	T4	T4
		13.810	0.77	131	51	0.90	T4	T4	T4
		15.869	0.76	145	44	0.88	T4	T4	T4
		17.360	0.72	150	40	0.88	T4	T4	T4
		20.417	0.65	143	34	0.79	T4	T4	T4
		22.143	0.57	150	32	0.88	T4	T4	T4
		24.800	0.52	143	28	0.81	T4	T4	T4
		27.125	0.47	150	26	0.87	T4	T4	T4
		31.738	0.42	146	22	0.81	T4	T4	T4
		34.100	0.37	150	21	0.86	T4	T4	T4
		39.200	0.36	150	18	0.79	T4	T4	T4

For dimensions, see page 7-54 onwards.

# Helical-worm gearbox selection table

Gearboxes with mounting flange for Atex category 2GD, 3GD (zone 1, 21, 2, 22)

$M_2 \text{ perm} \leq 150 \text{ Nm}$							GSS04-2N □□□							
Gearbox with	Mounting flange size						i	$P_1 \text{ perm}$	$M_2 \text{ perm}$	$n_2$	$\eta_G$	Temperature class		
	Motor frame size	Flange diameter				T3 (G) $\cong$ 190 °C (D)						T4 (G) $\cong$ 125 °C (D)		
											Mounting position			
											A, B, E, F	C	D	
<b><math>n_1 = 700 \text{ rpm}</math></b>														
GSS04-2N □□□	□C						43.917	0.29	150	16	0.85	T4	T4	T4
	<b>1C</b>	2C	3C	4C	6C	7C	50.000	0.28	150	14	0.78	T4	T4	T4
	<b>80</b>	71	71	71	63	80	54.250	0.26	150	13	0.79	T4	T4	T4
	<b>160</b>	160	105	120	160	120	61.250	0.23	150	11	0.77	T4	T4	T4
							68.200	0.21	150	10	0.78	T4	T4	T4
							77.000	0.19	150	9.1	0.76	T4	T4	T4
							87.833	0.16	150	8.0	0.76	T4	T4	T4
							99.167	0.15	150	7.1	0.74	T4	T4	T4
GSS04-2N □□□	□D						5.639	1.53	107	124	0.91	T4	T4	T4
	<b>1D</b>	2D					7.733	1.39	133	91	0.91	T4	T4	T4
	<b>90</b>	80					9.042	1.31	143	77	0.88	T4	T4	T4
	<b>160</b>	160					9.897	1.17	144	71	0.91	T4	T4	T4
							10.827	1.11	148	65	0.91	T4	T4	T4
							12.400	0.96	143	57	0.88	T4	T4	T4
							13.810	0.88	150	51	0.90	T4	T4	T4
							15.869	0.76	145	44	0.88	T4	T4	T4
							17.360	0.72	150	40	0.88	T4	T4	T4
							20.417	0.65	143	34	0.79	T4	T4	T4
							22.143	0.57	150	32	0.88	T4	T4	T4
							24.800	0.52	143	28	0.81	T4	T4	T4
							27.125	0.47	150	26	0.87	T4	T4	T4
							31.738	0.42	146	22	0.81	T4	T4	T4
							39.200	0.36	150	18	0.79	T4	T4	T4
							50.000	0.28	150	14	0.78	T4	T4	T4
							54.250	0.26	150	13	0.79	T4	T4	T4
							61.250	0.23	150	11	0.77	T4	T4	T4

For dimensions, see page 7-54 onwards.

# Helical-worm gearbox selection table

Gearboxes with mounting flange for Atex category 2GD, 3GD (zone 1, 21, 2, 22)

$M_2 \text{ perm} \leq 300 \text{ Nm}$		GSS05-2N □□□					Temperature class T3 (G) $\cong$ 190 °C (D) T4 (G) $\cong$ 125 °C (D)		
Gearbox with	Mounting flange size Motor frame size Flange diameter	i	$P_{1 \text{ perm}}$ [kW]	$M_2 \text{ perm}$ [Nm]	$n_2$ [rpm]	$\eta_G$	Mounting position		
							A, B, E, F	C	D
<b><math>n_1 = 2800 \text{ rpm}</math></b>									
GSS05-2N □□□	1B	10.827	2.75	93	259	0.91	T3	T3	-
	71	13.810	2.43	105	203	0.92	T3	T3	-
	105	17.360	2.75	144	161	0.89	T3	T3	-
		22.143	2.43	163	127	0.89	T4	T3	-
		35.306	1.68	181	79	0.89	T4	T4	-
		39.200	1.85	198	71	0.81	T4	T3	-
		43.917	1.40	188	64	0.89	T4	T4	-
		50.000	1.58	217	56	0.81	T4	T4	-
		70.611	1.40	280	40	0.83	T4	T4	-
		79.722	1.33	296	35	0.82	T4	T4	-
		87.833	1.21	300	32	0.83	T4	T4	-
		99.167	1.08	300	28	0.82	T4	T4	-
		113.667	0.93	300	25	0.83	T4	T4	-
		128.333	0.84	300	22	0.81	T4	T4	-
		137.950	0.77	300	20	0.82	T4	T4	-
		155.750	0.70	300	18	0.81	T4	T4	-
		176.313	0.61	300	16	0.82	T4	T4	-
	199.063	0.55	300	14	0.81	T4	T4	-	
GSS05-2N □□□ □C	□C	9.897	3.74	115	283	0.91	T3	T3	-
	1C	10.827	3.74	126	259	0.91	T3	T3	-
	80	13.810	3.74	161	203	0.92	T3	T3	-
	160	15.869	3.74	179	176	0.88	T3	T3	-
	2C	17.360	3.73	196	161	0.89	T3	T3	-
	3C	22.143	3.16	212	127	0.89	T4	T3	-
	4C	27.125	2.76	227	103	0.89	T4	T3	-
	6C	31.738	2.13	188	88	0.82	T3	T3	-
	7C	35.306	2.47	265	79	0.89	T4	T3	-
		39.200	1.85	198	71	0.81	T4	T3	-
		43.917	2.20	295	64	0.89	T4	T4	-
		50.000	1.58	217	56	0.81	T4	T3	-
		54.250	1.51	230	52	0.82	T4	T4	-
		61.250	1.41	240	46	0.81	T4	T4	-
		70.611	1.40	280	40	0.83	T4	T4	-
		79.722	1.33	296	35	0.82	T4	T4	-
		87.833	1.21	300	32	0.83	T4	T4	-
		99.167	1.08	300	28	0.82	T4	T4	-
		113.667	0.93	300	25	0.83	T4	T4	-
		128.333	0.84	300	22	0.81	T4	T4	-
	137.950	0.77	300	20	0.82	T4	T4	-	
	155.750	0.70	300	18	0.81	T4	T4	-	
GSS05-2N □□□ □D	□D	5.639	4.62	80	497	0.90	T3	T3	-
	1D	7.733	4.62	110	362	0.90	T3	T3	-
	90	9.042	4.62	124	310	0.87	T3	T3	-
	160	9.897	4.62	142	283	0.91	T3	T3	-
	2D	10.827	4.62	155	259	0.91	T3	T3	-
	80	12.400	4.62	172	226	0.88	T3	T3	-
	160	13.810	4.62	199	203	0.92	T3	T3	-
		15.869	3.95	189	176	0.88	T3	T3	-
		17.360	3.73	196	161	0.89	T3	T3	-
		20.417	2.59	140	137	0.78	T3	T3	-
		22.143	3.16	212	127	0.89	T3	T3	-
		24.800	2.51	171	113	0.81	T3	T3	-
		27.125	2.76	227	103	0.89	T4	T3	-
		31.738	2.13	188	88	0.82	T3	T3	-
		35.306	2.47	265	79	0.89	T4	T3	-
		39.200	1.85	198	71	0.81	T3	T3	-
		43.917	2.24	300	64	0.89	T4	T3	-
		50.000	1.58	217	56	0.81	T4	T3	-
		54.250	1.51	230	52	0.82	T4	T3	-

For dimensions, see page 7-54 onwards.

# Helical-worm gearbox selection table

Gearboxes with mounting flange for Atex category 2GD, 3GD (zone 1, 21, 2, 22)

$M_2 \text{ perm} \leq 300 \text{ Nm}$		GSS05-2N □□□					Temperature class		
Gearbox with	Mounting flange size Motor frame size Flange diameter	i	$P_1 \text{ perm}$	$M_2 \text{ perm}$	$n_2$	$\eta_G$	T3 (G) $\cong$ 190 °C (D) T4 (G) $\cong$ 125 °C (D)		
							Mounting position		
			[kW]	[Nm]	[rpm]		A, B, E, F	C	D

## $n_1 = 2800 \text{ rpm}$

GSS05-2N □□□	□D	61.250	1.41	240	46	0.81	T4	T3	-
	1D 2D	70.611	1.40	280	40	0.83	T4	T3	-
	90 80	79.722	1.33	296	35	0.82	T4	T3	-
	160 160	87.833	1.21	300	32	0.83	T4	T4	-
		99.167	1.08	300	28	0.82	T4	T4	-
GSS05-2N □□□	□E	5.639	7.08	122	497	0.90	T3	T3	-
	1E 1E 2E 3E 4E	7.733	5.72	136	362	0.90	T3	T3	-
	100 112 90 80 90	9.042	4.81	129	310	0.87	T3	T3	-
	160 160 160 160 200	9.897	5.56	171	283	0.91	T3	T3	-
		10.827	5.55	187	259	0.91	T3	T3	-
		12.400	4.68	175	226	0.88	T3	T3	-
		13.810	5.60	241	203	0.92	T3	T3	-
		15.869	3.95	189	176	0.88	T3	T3	-
		17.360	3.73	196	161	0.89	T3	T3	-
		20.417	2.59	140	137	0.78	T3	T3	-
		22.143	3.16	212	127	0.89	T3	T3	-
		24.800	2.51	171	113	0.81	T3	T3	-
		27.125	2.76	227	103	0.89	T4	T3	-
		31.738	2.13	188	88	0.82	T3	T3	-
		39.200	1.85	198	71	0.81	T3	T3	-
		50.000	1.58	217	56	0.81	T4	T3	-
		54.250	1.51	230	52	0.82	T4	T3	-
		61.250	1.41	240	46	0.81	T4	T3	-

## $n_1 = 1400 \text{ rpm}$

GSS05-2N □□□	1B	10.827	1.37	93	129	0.92	T4	T4	T4
	71	13.810	1.22	105	101	0.92	T4	T4	T4
	105	17.360	1.37	145	81	0.89	T4	T4	T4
		22.143	1.22	164	63	0.89	T4	T4	T4
		35.306	0.84	180	40	0.89	T4	T4	T4
		39.200	1.18	258	36	0.81	T4	T4	T4
		43.917	0.70	187	32	0.89	T4	T4	T4
		50.000	1.01	282	28	0.82	T4	T4	T4
		70.611	0.76	300	20	0.82	T4	T4	T4
		79.722	0.68	300	18	0.81	T4	T4	T4
		87.833	0.61	300	16	0.82	T4	T4	T4
		99.167	0.55	300	14	0.81	T4	T4	T4
		113.667	0.48	300	12	0.81	T4	T4	T4
		128.333	0.43	300	11	0.80	T4	T4	T4
		137.950	0.40	300	10	0.80	T4	T4	T4
GSS05-2N □□□	□C	9.897	1.87	115	142	0.92	T4	T4	T4
	1C 2C 3C 4C 6C 7C	10.827	1.87	126	129	0.92	T4	T4	T4
	80 71 71 71 63 80	13.810	1.87	161	101	0.92	T4	T4	T4
	160 160 105 120 160 120	15.869	1.87	180	88	0.89	T4	T4	T4
		17.360	1.87	197	81	0.89	T4	T4	T4
		22.143	1.87	252	63	0.89	T4	T4	T4
		27.125	1.64	271	52	0.89	T4	T4	T4
		31.738	1.36	244	44	0.83	T4	T4	T4
		35.306	1.32	282	40	0.89	T4	T4	T4
		39.200	1.18	258	36	0.81	T4	T4	T4
		43.917	1.10	292	32	0.89	T4	T4	T4
		50.000	1.01	282	28	0.82	T4	T4	T4
		54.250	0.94	288	26	0.83	T4	T4	T4
		61.250	0.87	295	23	0.82	T4	T4	T4
		70.611	0.76	300	20	0.82	T4	T4	T4

For dimensions, see page 7-54 onwards.

# Helical-worm gearbox selection table

Gearboxes with mounting flange for Atex category 2GD, 3GD (zone 1, 21, 2, 22)

$M_2 \text{ perm} \leq 300 \text{ Nm}$		GSS05-2N □□□						Temperature class T3 (G) $\cong$ 190 °C (D) T4 (G) $\cong$ 125 °C (D)		
Gearbox with	Mounting flange size Motor frame size Flange diameter	i	$P_1 \text{ perm}$ [kW]	$M_2 \text{ perm}$ [Nm]	$n_2$ [rpm]	$\eta_G$	Mounting position			
							A, B, E, F	C	D	

## $n_1 = 1400 \text{ rpm}$

GSS05-2N □□□	□C	79.722	0.68	300	18	0.81	T4	T4	T4
	<b>1C</b> 2C 3C 4C 6C 7C	87.833	0.61	300	16	0.82	T4	T4	T4
	<b>80</b> 71 71 71 63 80	99.167	0.55	300	14	0.81	T4	T4	T4
	<b>160</b> 160 105 120 160 120	113.667	0.48	300	12	0.81	T4	T4	T4
		128.333	0.43	300	11	0.80	T4	T4	T4
		137.950	0.40	300	10	0.80	T4	T4	T4
		155.750	0.36	300	9.0	0.79	T4	T4	T4
GSS05-2N □□□	□D	5.639	2.31	81	248	0.91	T3	T3	T3
	<b>1D</b> 2D	7.733	2.31	111	181	0.91	T4	T3	T4
	<b>90</b> 80	9.042	2.31	126	155	0.89	T3	T3	T3
	<b>160</b> 160	9.897	2.31	143	142	0.92	T4	T4	T4
		10.827	2.31	156	129	0.92	T4	T4	T4
		12.400	2.31	174	113	0.89	T4	T4	T4
		13.810	2.31	199	101	0.92	T4	T4	T4
		15.869	2.31	223	88	0.89	T4	T4	T4
		17.360	2.31	244	81	0.89	T4	T4	T4
		20.417	1.80	203	69	0.81	T4	T4	T4
		22.143	2.00	270	63	0.89	T4	T4	T4
		24.800	1.61	224	57	0.82	T4	T4	T4
		27.125	1.74	288	52	0.89	T4	T4	T4
		31.738	1.36	244	44	0.83	T4	T4	T4
		35.306	1.40	300	40	0.89	T4	T4	T4
		39.200	1.18	258	36	0.81	T4	T4	T4
		43.917	1.13	300	32	0.89	T4	T4	T4
		50.000	1.01	282	28	0.82	T4	T4	T4
		54.250	0.94	288	26	0.83	T4	T4	T4
		61.250	0.87	295	23	0.82	T4	T4	T4
	70.611	0.76	300	20	0.82	T4	T4	T4	
	79.722	0.68	300	18	0.81	T4	T4	T4	
	87.833	0.61	300	16	0.82	T4	T4	T4	
	99.167	0.55	300	14	0.81	T4	T4	T4	
GSS05-2N □□□	□E	5.639	4.60	161	248	0.91	T3	T3	T3
	<b>1E</b> 1E 2E 3E 4E	7.733	4.43	214	181	0.91	T3	T3	T3
	<b>100</b> 112 90 80 90	9.042	3.67	201	155	0.89	T3	T3	T3
	<b>160</b> 160 160 160 200	9.897	3.69	228	142	0.92	T4	T4	T4
		10.827	3.47	235	129	0.92	T4	T4	T4
		12.400	2.96	223	113	0.89	T4	T3	T4
		13.810	2.97	257	101	0.92	T4	T4	T4
		15.869	2.50	241	88	0.89	T4	T4	T4
		17.360	2.36	249	81	0.89	T4	T4	T4
		20.417	1.80	203	69	0.81	T4	T3	T4
		22.143	2.00	270	63	0.89	T4	T4	T4
		24.800	1.61	224	57	0.82	T4	T4	T4
		27.125	1.74	288	52	0.89	T4	T4	T4
		31.738	1.36	244	44	0.83	T4	T4	T4
		39.200	1.18	258	36	0.81	T4	T4	T4
		50.000	1.01	282	28	0.82	T4	T4	T4
	54.250	0.94	288	26	0.83	T4	T4	T4	
	61.250	0.87	295	23	0.82	T4	T4	T4	

## $n_1 = 700 \text{ rpm}$

GSS05-2N □□□	<b>1B</b>	10.827	0.72	97	65	0.91	T4	T4	T4
	<b>71</b>	13.810	0.61	104	51	0.91	T4	T4	T4
	<b>105</b>	17.360	0.72	152	40	0.89	T4	T4	T4
		22.143	0.61	163	32	0.89	T4	T4	T4
		35.306	0.42	177	20	0.88	T4	T4	T4
		39.200	0.66	288	18	0.81	T4	T4	T4
		43.917	0.35	183	16	0.87	T4	T4	T4
		50.000	0.52	288	14	0.81	T4	T4	T4
		70.611	0.39	300	9.9	0.80	T4	T4	T4
		79.722	0.35	300	8.8	0.79	T4	T4	T4

For dimensions, see page 7-54 onwards.

# Helical-worm gearbox selection table

Gearboxes with mounting flange for Atex category 2GD, 3GD (zone 1, 21, 2, 22)

$M_2 \text{ perm} \leq 300 \text{ Nm}$		GSS05-2N □□□							
Gearbox with	Mounting flange size Motor frame size Flange diameter	i	$P_1 \text{ perm}$	$M_2 \text{ perm}$	$n_2$	$\eta_G$	Temperature class		
							T3 (G) $\cong$ 190 °C (D)	T4 (G) $\cong$ 125 °C (D)	Mounting position
							A, B, E, F	C	D
<b><math>n_1 = 700 \text{ rpm}</math></b>									
GSS05-2N □□□	1B	87.833	0.32	300	8.0	0.79	T4	T4	T4
	71	99.167	0.29	300	7.1	0.77	T4	T4	T4
	105	113.667	0.25	300	6.2	0.77	T4	T4	T4
		128.333	0.23	300	5.5	0.75	T4	T4	T4
		137.950	0.21	300	5.1	0.76	T4	T4	T4
		155.750	0.19	300	4.5	0.74	T4	T4	T4
		176.313	0.17	300	4.0	0.73	T4	T4	T4
		199.063	0.15	300	3.5	0.71	T4	T4	T4
GSS05-2N □□□	□C	9.897	1.18	146	71	0.91	T4	T4	T4
	1C	10.827	1.13	153	65	0.91	T4	T4	T4
	2C	13.810	0.95	164	51	0.91	T4	T4	T4
	3C	15.869	1.18	228	44	0.89	T4	T4	T4
	4C	17.360	1.13	239	40	0.89	T4	T4	T4
	5C	22.143	0.95	256	32	0.89	T4	T4	T4
	6C	27.125	0.82	268	26	0.88	T4	T4	T4
	7C	31.738	0.81	288	22	0.83	T4	T4	T4
		35.306	0.66	278	20	0.88	T4	T4	T4
		39.200	0.66	288	18	0.81	T4	T4	T4
		43.917	0.55	286	16	0.87	T4	T4	T4
		50.000	0.52	288	14	0.81	T4	T4	T4
		54.250	0.48	288	13	0.81	T4	T4	T4
		61.250	0.44	295	11	0.80	T4	T4	T4
		70.611	0.39	300	9.9	0.80	T4	T4	T4
		79.722	0.35	300	8.8	0.79	T4	T4	T4
		87.833	0.32	300	8.0	0.79	T4	T4	T4
		99.167	0.29	300	7.1	0.77	T4	T4	T4
		113.667	0.25	300	6.2	0.77	T4	T4	T4
		128.333	0.23	300	5.5	0.75	T4	T4	T4
	137.950	0.21	300	5.1	0.76	T4	T4	T4	
	155.750	0.19	300	4.5	0.74	T4	T4	T4	
GSS05-2N □□□	□D	5.639	1.54	108	124	0.92	T4	T4	T4
	1D	7.733	1.54	149	91	0.91	T4	T4	T4
	2D	9.042	1.54	169	77	0.89	T4	T4	T4
	80	9.897	1.54	190	71	0.91	T4	T4	T4
	160	10.827	1.52	205	65	0.91	T4	T4	T4
		12.400	1.54	232	57	0.89	T4	T4	T4
		13.810	1.28	220	51	0.91	T4	T4	T4
		15.869	1.49	288	44	0.89	T4	T4	T4
		17.360	1.37	288	40	0.89	T4	T4	T4
		20.417	1.16	264	34	0.82	T4	T4	T4
		22.143	1.08	288	32	0.89	T4	T4	T4
		24.800	1.03	288	28	0.83	T4	T4	T4
		27.125	0.88	288	26	0.88	T4	T4	T4
		31.738	0.81	288	22	0.83	T4	T4	T4
		35.306	0.71	300	20	0.88	T4	T4	T4
		39.200	0.66	288	18	0.81	T4	T4	T4
		43.917	0.58	300	16	0.87	T4	T4	T4
		50.000	0.52	288	14	0.81	T4	T4	T4
		54.250	0.48	288	13	0.81	T4	T4	T4
		61.250	0.44	295	11	0.80	T4	T4	T4
	70.611	0.39	300	9.9	0.80	T4	T4	T4	
	79.722	0.35	300	8.8	0.79	T4	T4	T4	
	87.833	0.32	300	8.0	0.79	T4	T4	T4	
	99.167	0.29	300	7.1	0.77	T4	T4	T4	
GSS05-2N □□□	□E	5.639	2.30	162	124	0.92	T4	T4	T4
	1E	7.733	2.22	215	91	0.91	T4	T4	T4
	2E	9.042	2.30	253	77	0.89	T4	T4	T4
	3E	9.897	1.79	221	71	0.91	T4	T4	T4
	4E	10.827	1.71	230	65	0.91	T4	T4	T4
		12.400	1.87	283	57	0.89	T4	T4	T4
	13.810	1.48	255	51	0.91	T4	T4	T4	

For dimensions, see page 7-54 onwards.

# Helical-worm gearbox selection table

Gearboxes with mounting flange for Atex category 2GD, 3GD (zone 1, 21, 2, 22)

$M_2 \text{ perm} \leq 300 \text{ Nm}$		GSS05-2N □□□					Temperature class T3 (G) $\cong 190 \text{ }^\circ\text{C}$ (D) T4 (G) $\cong 125 \text{ }^\circ\text{C}$ (D)		
Gearbox with	Mounting flange size Motor frame size Flange diameter	i	$P_{1 \text{ perm}}$ [kW]	$M_2 \text{ perm}$ [Nm]	$n_2$ [rpm]	$\eta_G$	Mounting position		
							A, B, E, F	C	D

## $n_1 = 700 \text{ rpm}$

GSS05-2N □□□	□E	1E	1E	2E	3E	4E								
	100	112	90	80	90		15.869	1.49	288	44	0.89	T4	T4	T4
	160	160	160	160	200		17.360	1.37	288	40	0.89	T4	T4	T4
							20.417	1.16	264	34	0.82	T4	T4	T4
							22.143	1.08	288	32	0.89	T4	T4	T4
							24.800	1.03	288	28	0.83	T4	T4	T4
							27.125	0.88	288	26	0.88	T4	T4	T4
							31.738	0.81	288	22	0.83	T4	T4	T4
							39.200	0.66	288	18	0.81	T4	T4	T4
							50.000	0.52	288	14	0.81	T4	T4	T4
							54.250	0.48	288	13	0.81	T4	T4	T4
							61.250	0.44	295	11	0.80	T4	T4	T4

For dimensions, see page 7-54 onwards.

# Helical-worm gearbox selection table

Gearboxes with mounting flange for Atex category 2GD, 3GD (zone 1, 21, 2, 22)

$M_2 \text{ perm} \leq 300 \text{ Nm}$		GSS05-3N □□□						Temperature class		
Gearbox with	Mounting flange size Motor frame size Flange diameter	i	$P_1 \text{ perm}$	$M_2 \text{ perm}$	$n_2$	$\eta_G$	T3 (G) $\cong$ 190 °C (D) T4 (G) $\cong$ 125 °C (D)			
							A, B, E, F	C	D	

## $n_1 = 1400 \text{ rpm}$

GSS05-3N □□□	1A 63 90	125.476	0.36	260	11	0.84	T4	T4	T4
		193.233	0.27	288	7.3	0.81	T4	T4	T4
		222.133	0.26	300	6.3	0.75	T4	T4	T4
		250.952	0.23	300	5.6	0.75	T4	T4	T4
		283.333	0.21	300	4.9	0.74	T4	T4	T4
		386.467	0.16	300	3.6	0.71	T4	T4	T4
		436.333	0.15	300	3.2	0.69	T4	T4	T4
		497.722	0.13	300	2.8	0.69	T4	T4	T4
		561.944	0.12	300	2.5	0.67	T4	T4	T4
		630.803	0.10	300	2.2	0.67	T4	T4	T4
		712.197	0.10	300	2.0	0.65	T4	T4	T4
		790.500	0.09	300	1.8	0.65	T4	T4	T4
		892.500	0.08	300	1.6	0.63	T4	T4	T4
		1041.452	0.07	300	1.3	0.64	T4	T4	T4
1175.833	0.06	300	1.2	0.62	T4	T4	T4		
GSS05-3N □□□	□B 1B 2B 71 63 105 90	125.476	0.36	260	11	0.84	T4	T4	T4
		153.708	0.32	273	9.1	0.82	T4	T4	T4
		193.233	0.27	288	7.3	0.81	T4	T4	T4
		222.133	0.26	300	6.3	0.75	T4	T4	T4
		250.952	0.23	300	5.6	0.75	T4	T4	T4
		283.333	0.21	300	4.9	0.74	T4	T4	T4
		307.417	0.19	300	4.6	0.74	T4	T4	T4
		347.083	0.18	300	4.0	0.72	T4	T4	T4
		386.467	0.16	300	3.6	0.71	T4	T4	T4
		436.333	0.15	300	3.2	0.69	T4	T4	T4
		497.722	0.13	300	2.8	0.69	T4	T4	T4
		561.944	0.12	300	2.5	0.67	T4	T4	T4
		630.803	0.10	300	2.2	0.67	T4	T4	T4
		712.197	0.10	300	2.0	0.65	T4	T4	T4
790.500	0.09	300	1.8	0.65	T4	T4	T4		
892.500	0.08	300	1.6	0.63	T4	T4	T4		
GSS05-3N □□□	□C 1C 2C 3C 4C 6C 7C 80 71 71 71 63 80 160 160 105 120 160 120	125.476	0.36	260	11	0.84	T4	T4	T4
		153.708	0.32	273	9.1	0.82	T4	T4	T4
		193.233	0.27	288	7.3	0.81	T4	T4	T4
		222.133	0.26	300	6.3	0.75	T4	T4	T4
		250.952	0.23	300	5.6	0.75	T4	T4	T4
		283.333	0.21	300	4.9	0.74	T4	T4	T4
		307.417	0.19	300	4.6	0.74	T4	T4	T4
		347.083	0.18	300	4.0	0.72	T4	T4	T4
		386.467	0.16	300	3.6	0.71	T4	T4	T4
		436.333	0.15	300	3.2	0.69	T4	T4	T4
		497.722	0.13	300	2.8	0.69	T4	T4	T4
		561.944	0.12	300	2.5	0.67	T4	T4	T4

## $n_1 = 700 \text{ rpm}$

GSS05-3N □□□	1A 63 90	125.476	0.18	245	5.6	0.79	T4	T4	T4
		193.233	0.14	282	3.6	0.76	T4	T4	T4
		222.133	0.14	300	3.2	0.69	T4	T4	T4
		250.952	0.13	300	2.8	0.69	T4	T4	T4
		283.333	0.12	300	2.5	0.67	T4	T4	T4
		386.467	0.09	300	1.8	0.65	T4	T4	T4
		436.333	0.08	300	1.6	0.63	T4	T4	T4
		497.722	0.07	300	1.4	0.64	T4	T4	T4
		561.944	0.06	300	1.3	0.62	T4	T4	T4
		630.803	0.05	300	1.1	0.64	T4	T4	T4
		712.197	0.05	300	1.0	0.62	T4	T4	T4
		790.500	0.04	300	0.9	0.64	T4	T4	T4
		892.500	0.04	300	0.8	0.62	T4	T4	T4
		1041.452	0.03	300	0.7	0.64	T4	T4	T4
1175.833	0.03	300	0.6	0.62	T4	T4	T4		

For dimensions, see page 7-54 onwards.



# Helical-worm gearbox selection table

Gearboxes with mounting flange for Atex category 2GD, 3GD (zone 1, 21, 2, 22)

$M_2 \text{ perm} \leq 300 \text{ Nm}$		GSS05-3N □□□							
Gearbox with	Mounting flange size Motor frame size Flange diameter	i	$P_1 \text{ perm}$ [kW]	$M_2 \text{ perm}$ [Nm]	$n_2$ [rpm]	$\eta_G$	Temperature class		
							T3 (G) $\cong$ 190 °C (D) T4 (G) $\cong$ 125 °C (D)		
							Mounting position		
							A, B, E, F	C	D
<b><math>n_1 = 700 \text{ rpm}</math></b>									
GSS05-3N □□□	□B								
	1B 2B	125.476	0.18	245	5.6	0.79	T4	T4	T4
	71 63	153.708	0.16	257	4.6	0.78	T4	T4	T4
	105 90	193.233	0.14	282	3.6	0.76	T4	T4	T4
		222.133	0.14	300	3.2	0.69	T4	T4	T4
		250.952	0.13	300	2.8	0.69	T4	T4	T4
		283.333	0.12	300	2.5	0.67	T4	T4	T4
		307.417	0.11	300	2.3	0.67	T4	T4	T4
		347.083	0.10	300	2.0	0.65	T4	T4	T4
		386.467	0.09	300	1.8	0.65	T4	T4	T4
		436.333	0.08	300	1.6	0.63	T4	T4	T4
		497.722	0.07	300	1.4	0.64	T4	T4	T4
		561.944	0.06	300	1.3	0.62	T4	T4	T4
		630.803	0.05	300	1.1	0.64	T4	T4	T4
		712.197	0.05	300	1.0	0.62	T4	T4	T4
		790.500	0.04	300	0.9	0.64	T4	T4	T4
		892.500	0.04	300	0.8	0.62	T4	T4	T4
GSS05-3N □□□	□C								
	1C 2C 3C 4C 6C 7C	125.476	0.18	245	5.6	0.79	T4	T4	T4
	80 71 71 71 63 80	153.708	0.16	257	4.6	0.78	T4	T4	T4
	160 160 105 120 160 120	193.233	0.14	282	3.6	0.76	T4	T4	T4
		222.133	0.14	300	3.2	0.69	T4	T4	T4
		250.952	0.13	300	2.8	0.69	T4	T4	T4
		283.333	0.12	300	2.5	0.67	T4	T4	T4
		307.417	0.11	300	2.3	0.67	T4	T4	T4
		347.083	0.10	300	2.0	0.65	T4	T4	T4
		386.467	0.09	300	1.8	0.65	T4	T4	T4
		436.333	0.08	300	1.6	0.63	T4	T4	T4
		497.722	0.07	300	1.4	0.64	T4	T4	T4
		561.944	0.06	300	1.3	0.62	T4	T4	T4

For dimensions, see page 7-54 onwards.

# Helical-worm gearbox selection table

Gearboxes with mounting flange for Atex category 2GD, 3GD (zone 1, 21, 2, 22)

$M_2 \text{ perm} \leq 600 \text{ Nm}$		GSS06-2N □□□					Temperature class		
Gearbox with	Mounting flange size Motor frame size Flange diameter	i	$P_1 \text{ perm}$	$M_2 \text{ perm}$	$n_2$	$\eta_G$	T3 (G) $\cong$ 190 °C (D) T4 (G) $\cong$ 125 °C (D)		
							Mounting position		
			[kW]	[Nm]	[rpm]		A, B, E, F	C	D
<b><math>n_1 = 2800 \text{ rpm}</math></b>									
GSS06-2N □□□	<b>1B</b>	113.667	1.39	451	25	0.84	T4	T4	-
	<b>71</b>	128.333	1.39	508	22	0.84	T4	T4	-
	<b>105</b>	137.950	1.16	456	20	0.84	T4	T4	-
		155.750	1.16	513	18	0.83	T4	T4	-
		174.375	0.93	460	16	0.83	T4	T4	-
		196.875	0.93	517	14	0.83	T4	T4	-
GSS06-2N □□□	□C	14.286	3.74	168	196	0.92	T3	T3	-
	<b>1C</b> 2C 3C 4C 6C 7C	22.143	3.74	253	127	0.90	T3	T3	-
	<b>80</b> 71 71 71 63 80	35.306	3.25	352	79	0.90	T3	T3	-
	<b>160</b> 160 105 120 160 120	43.917	2.71	366	64	0.90	T3	T3	-
		50.000	3.09	439	56	0.83	T3	T3	-
		70.611	2.73	552	40	0.84	T3	T3	-
		79.722	2.48	564	35	0.84	T4	T3	-
		87.833	2.38	600	32	0.84	T4	T3	-
		99.167	2.12	600	28	0.84	T4	T3	-
		113.667	1.85	600	25	0.84	T4	T4	-
		128.333	1.64	600	22	0.84	T4	T4	-
		137.950	1.52	600	20	0.84	T4	T4	-
		155.750	1.35	600	18	0.83	T4	T4	-
		174.375	1.21	600	16	0.83	T4	T4	-
		196.875	1.08	600	14	0.83	T4	T4	-
GSS06-2N □□□	□D	10.238	4.62	148	274	0.92	T3	T3	-
	<b>1D</b> 2D	11.200	4.62	162	250	0.92	T3	T3	-
	<b>90</b> 80	14.286	4.62	208	196	0.92	T3	T3	-
	<b>160</b> 160	15.869	4.62	223	176	0.89	T3	T3	-
		17.360	4.62	244	161	0.89	T3	T3	-
		22.143	4.62	313	127	0.90	T3	T3	-
		27.125	4.62	384	103	0.90	T3	T3	-
		31.738	3.76	337	88	0.83	T3	T3	-
		35.306	4.37	473	79	0.90	T3	T3	-
		39.200	3.45	383	71	0.83	T3	T3	-
		43.917	3.65	492	64	0.90	T3	T3	-
		50.000	3.09	439	56	0.83	T3	T3	-
		54.250	3.00	464	52	0.84	T3	T3	-
		61.250	2.70	471	46	0.84	T3	T3	-
		70.611	2.73	552	40	0.84	T3	T3	-
		79.722	2.48	564	35	0.84	T3	T3	-
		87.833	2.38	600	32	0.84	T3	T3	-
		99.167	2.12	600	28	0.84	T4	T3	-
		113.667	1.85	600	25	0.84	T4	T3	-
		128.333	1.64	600	22	0.84	T4	T4	-
		137.950	1.52	600	20	0.84	T4	T4	-
		155.750	1.35	600	18	0.83	T4	T4	-
GSS06-2N □□□	□E	5.833	10.49	190	480	0.91	T3	T3	-
	<b>1E</b> 1E 2E 3E 4E	8.000	9.62	240	350	0.92	T3	T3	-
	<b>100</b> 112 90 80 90	9.042	9.30	254	310	0.88	T3	T3	-
	<b>160</b> 160 160 160 200	10.238	8.92	286	274	0.92	T3	T3	-
		11.200	8.89	312	250	0.92	T3	T3	-
		12.400	7.55	284	226	0.89	T3	T3	-
		14.286	9.85	443	196	0.92	T3	T3	-
		15.869	6.34	306	176	0.89	T3	T3	-
		17.360	6.18	327	161	0.89	T3	T3	-
		20.417	4.56	257	137	0.81	T3	T3	-
		22.143	5.74	389	127	0.90	T3	T3	-
		24.800	4.06	282	113	0.82	T3	T3	-
		27.125	5.41	450	103	0.90	T3	T3	-
		31.738	3.76	337	88	0.83	T3	T3	-
		35.306	4.90	531	79	0.90	T3	T3	-
		39.200	3.45	383	71	0.83	T3	T3	-
		43.917	4.45	600	64	0.90	T3	T3	-
		50.000	3.09	439	56	0.83	T3	T3	-

For dimensions, see page 7-54 onwards.

# Helical-worm gearbox selection table

Gearboxes with mounting flange for Atex category 2GD, 3GD (zone 1, 21, 2, 22)

$M_2 \text{ perm} \leq 600 \text{ Nm}$		GSS06-2N □□□					Temperature class T3 (G) $\cong$ 190 °C (D) T4 (G) $\cong$ 125 °C (D)		
Gearbox with	Mounting flange size Motor frame size Flange diameter	i	$P_{1 \text{ perm}}$	$M_2 \text{ perm}$	$n_2$	$\eta_G$	Mounting position		
							A, B, E, F	C	D

## $n_1 = 2800 \text{ rpm}$

GSS06-2N □□□	□E	54.250	3.00	464	52	0.84	T3	T3	-
	1E	61.250	2.70	471	46	0.84	T3	T3	-
	100	70.611	2.73	552	40	0.84	T3	T3	-
	160	79.722	2.48	564	35	0.84	T3	T3	-
	160	87.833	2.38	600	32	0.84	T3	T3	-
	160	99.167	2.12	600	28	0.84	T4	T3	-
GSS06-2N □□□	□F	5.833	10.49	190	480	0.91	T3	-	-
	1F	8.000	9.62	240	350	0.92	T3	-	-
	100	9.042	9.30	254	310	0.88	T3	-	-
	160	10.238	8.92	286	274	0.92	T3	-	-
	160	11.200	8.89	312	250	0.92	T3	-	-
	160	12.400	7.55	284	226	0.89	T3	-	-
	160	14.286	9.85	443	196	0.92	T3	-	-
	160	15.869	6.34	306	176	0.89	T3	-	-
	160	17.360	6.18	327	161	0.89	T3	-	-
	160	20.417	4.56	257	137	0.81	T3	-	-
	160	22.143	5.74	389	127	0.90	T3	-	-
	160	24.800	4.06	282	113	0.82	T3	-	-
	160	27.125	5.41	450	103	0.90	T3	-	-
	160	31.738	3.76	337	88	0.83	T3	-	-
	160	39.200	3.45	383	71	0.83	T3	-	-
	160	50.000	3.09	439	56	0.83	T3	-	-
	160	54.250	3.00	464	52	0.84	T3	-	-
	160	61.250	2.70	471	46	0.84	T3	-	-

## $n_1 = 1400 \text{ rpm}$

GSS06-2N □□□	1B	113.667	0.69	444	12	0.83	T4	T4	T4
	71	128.333	0.69	499	11	0.82	T4	T4	T4
	105	137.950	0.58	447	10	0.82	T4	T4	T4
	160	155.750	0.58	502	9.0	0.81	T4	T4	T4
	160	174.375	0.46	447	8.0	0.81	T4	T4	T4
	160	196.875	0.46	501	7.1	0.80	T4	T4	T4
GSS06-2N □□□	□C	14.286	1.87	168	98	0.92	T4	T4	T4
	1C	22.143	1.87	254	63	0.90	T4	T4	T4
	80	35.306	1.62	351	40	0.90	T4	T4	T4
	160	43.917	1.36	364	32	0.90	T4	T4	T4
	160	50.000	1.87	534	28	0.84	T4	T4	T4
	160	70.611	1.49	600	20	0.84	T4	T4	T4
	160	79.722	1.32	600	18	0.83	T4	T4	T4
	160	87.833	1.20	600	16	0.83	T4	T4	T4
	160	99.167	1.07	600	14	0.83	T4	T4	T4
	160	113.667	0.94	600	12	0.83	T4	T4	T4
	160	128.333	0.83	600	11	0.82	T4	T4	T4
	160	137.950	0.78	600	10	0.82	T4	T4	T4
	160	155.750	0.69	600	9.0	0.81	T4	T4	T4
	160	174.375	0.62	600	8.0	0.81	T4	T4	T4
	160	196.875	0.56	600	7.1	0.80	T4	T4	T4
GSS06-2N □□□	□D	10.238	2.31	149	137	0.92	T3	T3	T3
	1D	11.200	2.31	163	125	0.92	T3	T3	T3
	90	14.286	2.31	208	98	0.92	T4	T3	T4
	160	15.869	2.31	225	88	0.90	T3	T3	T3
	160	17.360	2.31	246	81	0.90	T3	T3	T3
	160	22.143	2.31	314	63	0.90	T4	T4	T4
	160	27.125	2.31	384	52	0.90	T4	T4	T4
	160	31.738	2.31	419	44	0.84	T4	T3	T4
	160	35.306	2.18	472	40	0.90	T4	T4	T4
	160	39.200	2.30	514	36	0.84	T4	T4	T4
	160	43.917	1.82	489	32	0.90	T4	T4	T4
	160	50.000	1.96	559	28	0.84	T4	T4	T4

For dimensions, see page 7-54 onwards.

# Helical-worm gearbox selection table

Gearboxes with mounting flange for Atex category 2GD, 3GD (zone 1, 21, 2, 22)

$M_2 \text{ perm} \leq 600 \text{ Nm}$		GSS06-2N □□□					Temperature class		
Gearbox with	Mounting flange size Motor frame size Flange diameter	i	$P_1 \text{ perm}$	$M_2 \text{ perm}$	$n_2$	$\eta_G$	T3 (G) $\cong$ 190 °C (D) T4 (G) $\cong$ 125 °C (D)		
							Mounting position		
			[kW]	[Nm]	[rpm]		A, B, E, F	C	D

## $n_1 = 1400 \text{ rpm}$

GSS06-2N □□□	□D	54.250	1.87	581	26	0.84	T4	T4	T4
	1D 2D	61.250	1.66	581	23	0.84	T4	T4	T4
	90 80	70.611	1.49	600	20	0.84	T4	T4	T4
	160 160	79.722	1.32	600	18	0.83	T4	T4	T4
		87.833	1.20	600	16	0.83	T4	T4	T4
		99.167	1.07	600	14	0.83	T4	T4	T4
		113.667	0.94	600	12	0.83	T4	T4	T4
		128.333	0.83	600	11	0.82	T4	T4	T4
		137.950	0.78	600	10	0.82	T4	T4	T4
		155.750	0.69	600	9.0	0.81	T4	T4	T4
GSS06-2N □□□	□E	5.833	6.60	242	240	0.92	T3	T3	T3
	1E 1E 2E 3E 4E	8.000	6.60	332	175	0.92	T3	T3	T3
	100 112 90 80 90	9.042	6.60	365	155	0.90	T3	T3	T3
	160 160 160 160 200	10.238	6.50	419	137	0.92	T3	T3	T3
		11.200	6.22	439	125	0.92	T3	T3	T3
		12.400	6.14	467	113	0.90	T3	T3	T3
		14.286	5.24	472	98	0.92	T4	T3	T4
		15.869	5.01	488	88	0.90	T3	T3	T3
		17.360	4.72	503	81	0.90	T3	T3	T3
		20.417	3.63	421	69	0.83	T3	T3	T3
		22.143	3.99	543	63	0.90	T4	T3	T4
		24.800	3.20	452	57	0.84	T3	T3	T3
		27.125	3.48	579	52	0.90	T4	T4	T4
		31.738	2.71	491	44	0.84	T4	T3	T4
		35.306	2.77	600	40	0.90	T4	T4	T4
		39.200	2.30	514	36	0.84	T4	T4	T4
		43.917	2.24	600	32	0.90	T4	T4	T4
		50.000	1.96	559	28	0.84	T4	T4	T4
		54.250	1.87	581	26	0.84	T4	T4	T4
		61.250	1.66	581	23	0.84	T4	T4	T4
	70.611	1.49	600	20	0.84	T4	T4	T4	
	79.722	1.32	600	18	0.83	T4	T4	T4	
	87.833	1.20	600	16	0.83	T4	T4	T4	
	99.167	1.07	600	14	0.83	T4	T4	T4	
GSS06-2N □□□	□F	5.833	6.60	242	240	0.92	T3	T3	T3
	1F 1F 2F 3F	8.000	6.60	332	175	0.92	T3	T3	T3
	100 112 90 90	9.042	6.60	365	155	0.90	T3	T3	T3
	160 160 160 200	10.238	6.60	425	137	0.92	T3	T3	T3
		11.200	6.55	462	125	0.92	T3	T3	T3
		12.400	6.14	467	113	0.90	T3	T3	T3
		14.286	5.52	497	98	0.92	T4	T3	T4
		15.869	5.01	488	88	0.90	T3	T3	T3
		17.360	4.72	503	81	0.90	T3	T3	T3
		20.417	3.63	421	69	0.83	T3	T3	T3
		22.143	3.99	543	63	0.90	T4	T3	T4
		24.800	3.20	452	57	0.84	T3	T3	T3
		27.125	3.48	579	52	0.90	T4	T3	T4
		31.738	2.71	491	44	0.84	T3	T3	T3
		39.200	2.30	514	36	0.84	T4	T3	T4
		50.000	1.96	559	28	0.84	T4	T4	T4
		54.250	1.87	581	26	0.84	T4	T4	T4
		61.250	1.66	581	23	0.84	T4	T4	T4

## $n_1 = 700 \text{ rpm}$

GSS06-2N □□□ 1B	113.667	0.35	427	6.2	0.79	T4	T4	T4
	128.333	0.35	478	5.5	0.79	T4	T4	T4
	137.950	0.29	425	5.1	0.78	T4	T4	T4
	155.750	0.29	476	4.5	0.77	T4	T4	T4
	174.375	0.23	421	4.0	0.76	T4	T4	T4
	196.875	0.23	470	3.6	0.75	T4	T4	T4

For dimensions, see page 7-54 onwards.

# Helical-worm gearbox selection table

Gearboxes with mounting flange for Atex category 2GD, 3GD (zone 1, 21, 2, 22)

$M_2 \text{ perm} \leq 600 \text{ Nm}$							GSS06-2N □□□								
Gearbox with	Mounting flange size						i	$P_{1 \text{ perm}}$	$M_2 \text{ perm}$	$n_2$	$\eta_G$	Temperature class			
	Motor frame size	Flange diameter		Motor frame size		Flange diameter						T3 (G) $\cong$ 190 °C (D)	T4 (G) $\cong$ 125 °C (D)	Mounting position	
											A, B, E, F	C	D		
							[kW]	[Nm]	[rpm]						
<b><math>n_1 = 700 \text{ rpm}</math></b>															
GSS06-2N □□□	□C						14.286	1.18	211	49	0.92	T4	T4	T4	
	1C	2C	3C	4C	6C	7C	22.143	1.18	318	32	0.89	T4	T4	T4	
	80	71	71	71	63	80	35.306	0.81	347	20	0.89	T4	T4	T4	
	160	160	105	120	160	120	43.917	0.68	358	16	0.88	T4	T4	T4	
							50.000	1.03	581	14	0.83	T4	T4	T4	
							70.611	0.76	600	9.9	0.82	T4	T4	T4	
							79.722	0.68	600	8.8	0.81	T4	T4	T4	
							87.833	0.62	600	8.0	0.81	T4	T4	T4	
							99.167	0.55	600	7.1	0.80	T4	T4	T4	
							113.667	0.49	600	6.2	0.79	T4	T4	T4	
							128.333	0.44	600	5.5	0.79	T4	T4	T4	
							137.950	0.41	600	5.1	0.78	T4	T4	T4	
							155.750	0.37	600	4.5	0.77	T4	T4	T4	
							174.375	0.33	600	4.0	0.76	T4	T4	T4	
							196.875	0.30	600	3.6	0.75	T4	T4	T4	
	GSS06-2N □□□	□D						10.238	1.54	198	68	0.92	T4	T4	T4
		1D	2D					11.200	1.54	217	63	0.92	T4	T4	T4
90		80					14.286	1.54	276	49	0.92	T4	T4	T4	
160		160					15.869	1.54	299	44	0.90	T4	T4	T4	
							17.360	1.54	327	40	0.90	T4	T4	T4	
							22.143	1.54	416	32	0.89	T4	T4	T4	
							27.125	1.36	449	26	0.89	T4	T4	T4	
							31.738	1.54	558	22	0.84	T4	T4	T4	
							35.306	1.09	466	20	0.89	T4	T4	T4	
							39.200	1.30	581	18	0.83	T4	T4	T4	
							43.917	0.91	481	16	0.88	T4	T4	T4	
							50.000	1.03	581	14	0.83	T4	T4	T4	
							54.250	0.95	581	13	0.83	T4	T4	T4	
							61.250	0.84	581	11	0.82	T4	T4	T4	
							70.611	0.76	600	9.9	0.82	T4	T4	T4	
							79.722	0.68	600	8.8	0.81	T4	T4	T4	
							87.833	0.62	600	8.0	0.81	T4	T4	T4	
						99.167	0.55	600	7.1	0.80	T4	T4	T4		
						113.667	0.49	600	6.2	0.79	T4	T4	T4		
						128.333	0.44	600	5.5	0.79	T4	T4	T4		
						137.950	0.41	600	5.1	0.78	T4	T4	T4		
						155.750	0.37	600	4.5	0.77	T4	T4	T4		
GSS06-2N □□□	□E						5.833	3.85	283	120	0.92	T3	T3	T3	
	1E	1E	2E	3E	4E		8.000	3.85	388	88	0.92	T4	T4	T4	
	100	112	90	80	90		9.042	3.85	428	77	0.90	T3	T3	T3	
	160	160	160	160	200		10.238	3.25	418	68	0.92	T4	T4	T4	
							11.200	3.11	438	63	0.92	T4	T4	T4	
							12.400	3.85	587	57	0.90	T4	T3	T4	
							14.286	2.62	470	49	0.92	T4	T4	T4	
							15.869	2.99	581	44	0.90	T4	T4	T4	
							17.360	2.73	581	40	0.90	T4	T4	T4	
							20.417	2.40	561	34	0.84	T4	T3	T4	
							22.143	2.15	581	32	0.89	T4	T4	T4	
							24.800	2.03	577	28	0.84	T4	T4	T4	
							27.125	1.76	581	26	0.89	T4	T4	T4	
							31.738	1.60	581	22	0.84	T4	T4	T4	
							35.306	1.40	600	20	0.89	T4	T4	T4	
							39.200	1.30	581	18	0.83	T4	T4	T4	
							43.917	1.14	600	16	0.88	T4	T4	T4	
						50.000	1.03	581	14	0.83	T4	T4	T4		
						54.250	0.95	581	13	0.83	T4	T4	T4		
						61.250	0.84	581	11	0.82	T4	T4	T4		
						70.611	0.76	600	9.9	0.82	T4	T4	T4		
						79.722	0.68	600	8.8	0.81	T4	T4	T4		
						87.833	0.62	600	8.0	0.81	T4	T4	T4		
						99.167	0.55	600	7.1	0.80	T4	T4	T4		

For dimensions, see page 7-54 onwards.

# Helical-worm gearbox selection table

Gearboxes with mounting flange for Atex category 2GD, 3GD (zone 1, 21, 2, 22)

$M_2 \text{ perm} \leq 600 \text{ Nm}$				GSS06-2N □□□							
Gearbox with	Mounting flange size			i	$P_1 \text{ perm}$	$M_2 \text{ perm}$	$n_2$	$\eta_G$	Temperature class		
	Motor frame size	Flange diameter							T3 (G) $\cong 190 \text{ }^\circ\text{C}$ (D)	T4 (G) $\cong 125 \text{ }^\circ\text{C}$ (D)	Mounting position
									A, B, E, F	C	D
<b><math>n_1 = 700 \text{ rpm}</math></b>											
GSS06-2N □□□	□F			5.833	4.06	299	120	0.92	T3	T3	T3
	1F	1F	2F 3F	8.000	4.06	409	88	0.92	T4	T4	T4
	100	112	90 90	9.042	4.06	451	77	0.90	T3	T3	T3
	160	160	160 200	10.238	3.42	441	68	0.92	T4	T4	T4
				11.200	3.27	461	63	0.92	T4	T4	T4
				12.400	3.94	600	57	0.90	T4	T3	T4
				14.286	2.76	495	49	0.92	T4	T4	T4
				15.869	2.99	581	44	0.90	T4	T4	T4
				17.360	2.73	581	40	0.90	T4	T4	T4
				20.417	2.40	561	34	0.84	T4	T3	T4
				22.143	2.15	581	32	0.89	T4	T4	T4
				24.800	2.03	577	28	0.84	T4	T4	T4
				27.125	1.76	581	26	0.89	T4	T4	T4
				31.738	1.60	581	22	0.84	T4	T4	T4
				39.200	1.30	581	18	0.83	T4	T4	T4
				50.000	1.03	581	14	0.83	T4	T4	T4
				54.250	0.95	581	13	0.83	T4	T4	T4
				61.250	0.84	581	11	0.82	T4	T4	T4

For dimensions, see page 7-54 onwards.

# Helical-worm gearbox selection table

Gearboxes with mounting flange for Atex category 2GD, 3GD (zone 1, 21, 2, 22)

$M_2 \text{ perm} \leq 600 \text{ Nm}$		GSS06-3N □□□								
Gearbox with	Mounting flange size Motor frame size Flange diameter	i	$P_1 \text{ perm}$	$M_2 \text{ perm}$	$n_2$	$\eta_G$	Temperature class			
							T3 (G) $\cong$ 190 °C (D)	T4 (G) $\cong$ 125 °C (D)		
							Mounting position			
							A, B, E, F	C	D	
<b><math>n_1 = 1400 \text{ rpm}</math></b>										
GSS06-3N □□□	1A	126.531	0.59	413	11	0.81	T4	T4	T4	
	63	142.857	0.59	464	9.8	0.81	T4	T4	T4	
	90	155.000	0.59	501	9.0	0.80	T4	T4	T4	
		175.000	0.59	562	8.0	0.80	T4	T4	T4	
		194.857	0.57	600	7.2	0.79	T4	T4	T4	
		220.000	0.51	600	6.4	0.79	T4	T4	T4	
		238.700	0.47	600	5.9	0.78	T4	T4	T4	
		269.500	0.42	600	5.2	0.77	T4	T4	T4	
		310.689	0.37	600	4.5	0.76	T4	T4	T4	
		350.778	0.33	600	4.0	0.75	T4	T4	T4	
		386.467	0.31	600	3.6	0.74	T4	T4	T4	
		436.333	0.27	600	3.2	0.73	T4	T4	T4	
		497.722	0.25	600	2.8	0.72	T4	T4	T4	
		561.944	0.22	600	2.5	0.71	T4	T4	T4	
		630.803	0.20	600	2.2	0.69	T4	T4	T4	
		712.197	0.18	600	2.0	0.69	T4	T4	T4	
		816.333	0.16	600	1.7	0.67	T4	T4	T4	
		921.667	0.14	600	1.5	0.66	T4	T4	T4	
		1023.000	0.13	600	1.4	0.65	T4	T4	T4	
		1155.000	0.12	600	1.2	0.64	T4	T4	T4	
	1241.550	0.11	600	1.1	0.64	T4	T4	T4		
	1401.750	0.10	600	1.0	0.64	T4	T4	T4		
	1635.693	0.08	600	0.9	0.64	T4	T4	T4		
	1846.750	0.07	600	0.8	0.64	T4	T4	T4		
GSS06-3N □□□	□B	126.531	0.86	600	11	0.81	T4	T4	T4	
	1B 2B	142.857	0.76	600	9.8	0.81	T4	T4	T4	
	71 63	155.000	0.71	600	9.0	0.80	T4	T4	T4	
	105 90	175.000	0.63	600	8.0	0.80	T4	T4	T4	
		194.857	0.57	600	7.2	0.79	T4	T4	T4	
		220.000	0.51	600	6.4	0.79	T4	T4	T4	
		238.700	0.47	600	5.9	0.78	T4	T4	T4	
		269.500	0.42	600	5.2	0.77	T4	T4	T4	
		310.689	0.37	600	4.5	0.76	T4	T4	T4	
		350.778	0.33	600	4.0	0.75	T4	T4	T4	
		386.467	0.31	600	3.6	0.74	T4	T4	T4	
		436.333	0.27	600	3.2	0.73	T4	T4	T4	
		497.722	0.25	600	2.8	0.72	T4	T4	T4	
		561.944	0.22	600	2.5	0.71	T4	T4	T4	
		630.803	0.20	600	2.2	0.69	T4	T4	T4	
		712.197	0.18	600	2.0	0.69	T4	T4	T4	
		816.333	0.16	600	1.7	0.67	T4	T4	T4	
		921.667	0.14	600	1.5	0.66	T4	T4	T4	
		1023.000	0.13	600	1.4	0.65	T4	T4	T4	
		1155.000	0.12	600	1.2	0.64	T4	T4	T4	
	1241.550	0.11	600	1.1	0.64	T4	T4	T4		
	1401.750	0.10	600	1.0	0.64	T4	T4	T4		
GSS06-3N □□□	□C	126.531	0.86	600	11	0.81	T4	T4	T4	
	1C 2C 3C 4C 6C 7C	142.857	0.76	600	9.8	0.81	T4	T4	T4	
	80 71 71 71 63 80	155.000	0.71	600	9.0	0.80	T4	T4	T4	
	160 160 105 120 160 120	175.000	0.63	600	8.0	0.80	T4	T4	T4	
		194.857	0.57	600	7.2	0.79	T4	T4	T4	
		220.000	0.51	600	6.4	0.79	T4	T4	T4	
		238.700	0.47	600	5.9	0.78	T4	T4	T4	
		269.500	0.42	600	5.2	0.77	T4	T4	T4	
		310.689	0.37	600	4.5	0.76	T4	T4	T4	
		350.778	0.33	600	4.0	0.75	T4	T4	T4	
		386.467	0.31	600	3.6	0.74	T4	T4	T4	
		436.333	0.27	600	3.2	0.73	T4	T4	T4	
		497.722	0.25	600	2.8	0.72	T4	T4	T4	
		561.944	0.22	600	2.5	0.71	T4	T4	T4	

For dimensions, see page 7-54 onwards.

# Helical-worm gearbox selection table

Gearboxes with mounting flange for Atex category 2GD, 3GD (zone 1, 21, 2, 22)

$M_2 \text{ perm} \leq 600 \text{ Nm}$		GSS06-3N □□□							
Gearbox with	Mounting flange size Motor frame size Flange diameter	i	$P_1 \text{ perm}$	$M_2 \text{ perm}$	$n_2$	$\eta_G$	Temperature class		
							T3 (G) $\cong$ 190 °C (D)	T4 (G) $\cong$ 125 °C (D)	Mounting position
			[kW]	[Nm]	[rpm]		A, B, E, F	C	D
<b><math>n_1 = 1400 \text{ rpm}</math></b>									
GSS06-3N □□□	□D	126.531	0.86	600	11	0.81	T4	T4	T4
	1D 2D	142.857	0.76	600	9.8	0.81	T4	T4	T4
	90 80	155.000	0.71	600	9.0	0.80	T4	T4	T4
	160 160	175.000	0.63	600	8.0	0.80	T4	T4	T4
<b><math>n_1 = 700 \text{ rpm}</math></b>									
GSS06-3N □□□	1A	126.531	0.30	395	5.5	0.77	T4	T4	T4
	63	142.857	0.30	442	4.9	0.77	T4	T4	T4
	90	155.000	0.30	474	4.5	0.76	T4	T4	T4
		175.000	0.30	530	4.0	0.75	T4	T4	T4
		194.857	0.30	600	3.6	0.74	T4	T4	T4
		220.000	0.27	600	3.2	0.73	T4	T4	T4
		238.700	0.26	600	2.9	0.72	T4	T4	T4
		269.500	0.23	600	2.6	0.71	T4	T4	T4
		310.689	0.20	600	2.3	0.70	T4	T4	T4
		350.778	0.18	600	2.0	0.69	T4	T4	T4
		386.467	0.17	600	1.8	0.68	T4	T4	T4
		436.333	0.15	600	1.6	0.67	T4	T4	T4
		497.722	0.14	600	1.4	0.65	T4	T4	T4
		561.944	0.12	600	1.3	0.64	T4	T4	T4
		630.803	0.11	600	1.1	0.64	T4	T4	T4
		712.197	0.10	600	1.0	0.64	T4	T4	T4
		816.333	0.08	600	0.9	0.64	T4	T4	T4
		921.667	0.07	600	0.8	0.64	T4	T4	T4
		1023.000	0.07	600	0.7	0.64	T4	T4	T4
		1155.000	0.06	600	0.6	0.64	T4	T4	T4
		1241.550	0.06	600	0.6	0.64	T4	T4	T4
		1401.750	0.05	600	0.5	0.64	T4	T4	T4
		1635.693	0.04	600	0.4	0.64	T4	T4	T4
		1846.750	0.04	600	0.4	0.64	T4	T4	T4
GSS06-3N □□□	□B	126.531	0.45	600	5.5	0.77	T4	T4	T4
	1B 2B	142.857	0.40	600	4.9	0.77	T4	T4	T4
	71 63	155.000	0.37	600	4.5	0.76	T4	T4	T4
	105 90	175.000	0.33	600	4.0	0.75	T4	T4	T4
		194.857	0.30	600	3.6	0.74	T4	T4	T4
		220.000	0.27	600	3.2	0.73	T4	T4	T4
		238.700	0.26	600	2.9	0.72	T4	T4	T4
		269.500	0.23	600	2.6	0.71	T4	T4	T4
		310.689	0.20	600	2.3	0.70	T4	T4	T4
		350.778	0.18	600	2.0	0.69	T4	T4	T4
		386.467	0.17	600	1.8	0.68	T4	T4	T4
		436.333	0.15	600	1.6	0.67	T4	T4	T4
		497.722	0.14	600	1.4	0.65	T4	T4	T4
		561.944	0.12	600	1.3	0.64	T4	T4	T4
		630.803	0.11	600	1.1	0.64	T4	T4	T4
		712.197	0.10	600	1.0	0.64	T4	T4	T4
		816.333	0.08	600	0.9	0.64	T4	T4	T4
		921.667	0.07	600	0.8	0.64	T4	T4	T4
		1023.000	0.07	600	0.7	0.64	T4	T4	T4
		1155.000	0.06	600	0.6	0.64	T4	T4	T4
		1241.550	0.06	600	0.6	0.64	T4	T4	T4
		1401.750	0.05	600	0.5	0.64	T4	T4	T4
GSS06-3N □□□	□C	126.531	0.45	600	5.5	0.77	T4	T4	T4
	1C 2C 3C 4C 6C 7C	142.857	0.40	600	4.9	0.77	T4	T4	T4
	80 71 71 71 63 80	155.000	0.37	600	4.5	0.76	T4	T4	T4
	160 160 105 120 160 120	175.000	0.33	600	4.0	0.75	T4	T4	T4
		194.857	0.30	600	3.6	0.74	T4	T4	T4
		220.000	0.27	600	3.2	0.73	T4	T4	T4
		238.700	0.26	600	2.9	0.72	T4	T4	T4

For dimensions, see page 7-54 onwards.



# Helical-worm gearbox selection table

Gearboxes with mounting flange for Atex category 2GD, 3GD (zone 1, 21, 2, 22)

$M_2 \text{ perm} \leq 600 \text{ Nm}$							GSS06-3N □□□							
Gearbox with	Mounting flange size Motor frame size Flange diameter						i	$P_1 \text{ perm}$ [kW]	$M_2 \text{ perm}$ [Nm]	$n_2$ [rpm]	$\eta_G$	Temperature class T3 (G) $\cong$ 190 °C (D) T4 (G) $\cong$ 125 °C (D)		
	Mounting position A, B, E, F			C	D									
<b><math>n_1 = 700 \text{ rpm}</math></b>														
GSS06-3N □□□ □C	1C	2C	3C	4C	6C	7C	269.500	0.23	600	2.6	0.71	T4	T4	T4
	80	71	71	71	63	80	310.689	0.20	600	2.3	0.70	T4	T4	T4
	160	160	105	120	160	120	350.778	0.18	600	2.0	0.69	T4	T4	T4
							386.467	0.17	600	1.8	0.68	T4	T4	T4
							436.333	0.15	600	1.6	0.67	T4	T4	T4
							497.722	0.14	600	1.4	0.65	T4	T4	T4
							561.944	0.12	600	1.3	0.64	T4	T4	T4
GSS06-3N □□□ □D	1D	2D					126.531	0.45	600	5.5	0.77	T4	T4	T4
	90	80					142.857	0.40	600	4.9	0.77	T4	T4	T4
	160	160					155.000	0.37	600	4.5	0.76	T4	T4	T4
							175.000	0.33	600	4.0	0.75	T4	T4	T4

For dimensions, see page 7-54 onwards.

# Helical-worm gearbox selection table

Gearboxes with mounting flange for Atex category 2GD, 3GD (zone 1, 21, 2, 22)

$M_2 \text{ perm} \leq 1030 \text{ Nm}$							GSS07-2N □□□							
Gearbox with	Mounting flange size						i	$P_1 \text{ perm}$	$M_2 \text{ perm}$	$n_2$	$\eta_G$	Temperature class		
	Motor frame size	Motor frame size		Motor frame size		Motor frame size						T3 (G) $\cong$ 190 °C (D)	T4 (G) $\cong$ 125 °C (D)	Mounting position
Flange diameter							[kW]	[Nm]	[rpm]		A, B, E, F	C	D	
<b><math>n_1 = 2800 \text{ rpm}</math></b>														
GSS07-2N □□□	□C						113.667	2.67	888	25	0.86	T4	T3	-
	1C	2C	3C	4C	6C	7C	128.333	2.67	1000	22	0.86	T4	T4	-
	80	71	71	71	63	80	137.950	2.23	898	20	0.86	T4	T4	-
	160	160	105	120	160	120	155.750	2.23	1012	18	0.85	T4	T4	-
							174.375	1.79	908	16	0.85	T4	T4	-
							196.875	1.79	1023	14	0.85	T4	T4	-
GSS07-2N □□□	□D						14.286	4.62	209	196	0.93	T3	T3	-
	1D	2D					22.143	4.62	316	127	0.91	T3	T3	-
	90	80					35.306	4.62	506	79	0.91	T3	T3	-
	160	160					43.271	4.59	617	65	0.91	T3	T3	-
							50.000	4.62	670	56	0.85	T3	T3	-
							70.611	4.62	954	40	0.86	T3	T3	-
							79.722	4.42	1030	35	0.86	T3	T3	-
							86.542	4.07	1030	32	0.86	T3	T3	-
							97.708	3.61	1030	29	0.86	T4	T3	-
							113.667	3.10	1030	25	0.86	T4	T3	-
							128.333	2.75	1030	22	0.86	T4	T4	-
							137.950	2.56	1030	20	0.86	T4	T4	-
							155.750	2.27	1030	18	0.85	T4	T4	-
							174.375	2.03	1030	16	0.85	T4	T4	-
							196.875	1.80	1030	14	0.85	T4	T4	-
GSS07-2N □□□	□E						10.000	13.19	417	280	0.93	T3	T3	-
	1E	1E	2E	3E	4E		11.200	13.19	468	250	0.93	T3	T3	-
	100	112	90	80	90		14.286	12.85	582	196	0.93	T3	T3	-
	160	160	160	160	200		15.500	11.67	559	181	0.90	T3	T3	-
							17.360	10.78	578	161	0.91	T3	T3	-
							22.143	9.06	621	127	0.91	T3	T3	-
							27.125	8.37	703	103	0.91	T3	T3	-
							31.000	6.23	558	90	0.85	T3	T3	-
							35.306	8.57	940	79	0.91	T3	T3	-
							39.200	5.31	601	71	0.85	T3	T3	-
							43.271	7.62	1024	65	0.91	T3	T3	-
							50.000	4.94	717	56	0.85	T3	T3	-
							54.250	5.25	832	52	0.86	T3	T3	-
							61.250	5.03	897	46	0.86	T3	T3	-
							70.611	4.99	1030	40	0.86	T3	T3	-
							79.722	4.42	1030	35	0.86	T3	T3	-
							86.542	4.07	1030	32	0.86	T3	T3	-
							97.708	3.61	1030	29	0.86	T3	T3	-
							113.667	3.10	1030	25	0.86	T4	T3	-
							128.333	2.75	1030	22	0.86	T4	T3	-
							137.950	2.56	1030	20	0.86	T4	T3	-
							155.750	2.27	1030	18	0.85	T4	T4	-
GSS07-2N □□□	□F						5.862	13.19	243	478	0.92	T3	-	-
	1F	1F	2F	3F			8.125	13.19	338	345	0.93	T3	-	-
	100	112	90	90			9.086	13.19	367	308	0.90	T3	-	-
	160	160	160	200			10.000	13.19	417	280	0.93	T3	-	-
							11.200	13.19	468	250	0.93	T3	-	-
							12.594	12.64	490	222	0.90	T3	-	-
							14.286	13.19	598	196	0.93	T3	-	-
							15.500	11.67	559	181	0.90	T3	-	-
							17.360	10.78	578	161	0.91	T3	-	-
							20.517	8.54	500	137	0.84	T3	-	-
							22.143	9.06	621	127	0.91	T3	-	-
							25.188	7.40	537	111	0.85	T3	-	-
							27.125	8.37	703	103	0.91	T3	-	-
							31.000	6.23	558	90	0.85	T3	-	-
							35.306	8.57	940	79	0.91	T3	-	-
							39.200	5.31	601	71	0.85	T3	-	-
							43.271	7.66	1030	65	0.91	T3	-	-
							50.000	4.94	717	56	0.85	T3	-	-

For dimensions, see page 7-54 onwards.

# Helical-worm gearbox selection table

Gearboxes with mounting flange for Atex category 2GD, 3GD (zone 1, 21, 2, 22)

$M_2 \text{ perm} \leq 1030 \text{ Nm}$				GSS07-2N □□□							
Gearbox with	Mounting flange size			i	$P_{1 \text{ perm}}$	$M_2 \text{ perm}$	$n_2$	$\eta_G$	Temperature class		
	Motor frame size	Flange diameter							T3 (G) $\cong$ 190 °C (D) T4 (G) $\cong$ 125 °C (D)		
									Mounting position		
									A, B, E, F	C	D

## $n_1 = 2800 \text{ rpm}$

GSS07-2N □□□ □F	1F	1F	2F	3F	54.250	5.25	832	52	0.86	T3	-	-
	100	112	90	90	61.250	5.03	897	46	0.86	T3	-	-
	160	160	160	200	70.611	4.99	1030	40	0.86	T3	-	-
					79.722	4.42	1030	35	0.86	T3	-	-
					86.542	4.07	1030	32	0.86	T3	-	-
					97.708	3.61	1030	29	0.86	T3	-	-
GSS07-2N □□□ □G	1G	2G	2G	3G	5.862	17.63	324	478	0.92	T3	-	-
	132	100	112	132	8.125	16.08	412	345	0.93	T3	-	-
	300	250	250	250	9.086	14.81	412	308	0.90	T3	-	-
					10.000	15.18	480	280	0.93	T3	-	-
					11.200	14.71	521	250	0.93	T3	-	-
					12.594	12.64	490	222	0.90	T3	-	-
					14.286	13.36	605	196	0.93	T3	-	-
					15.500	11.67	559	181	0.90	T3	-	-
					17.360	10.78	578	161	0.91	T3	-	-
					20.517	8.54	500	137	0.84	T3	-	-
					22.143	9.06	621	127	0.91	T3	-	-
					25.188	7.40	537	111	0.85	T3	-	-
					27.125	8.37	703	103	0.91	T3	-	-
					31.000	6.23	558	90	0.85	T3	-	-
					39.200	5.31	601	71	0.85	T3	-	-
					50.000	4.94	717	56	0.85	T3	-	-
					54.250	5.25	832	52	0.86	T3	-	-
					61.250	5.03	897	46	0.86	T3	-	-

## $n_1 = 1400 \text{ rpm}$

GSS07-2N □□□ □C	1C	2C	3C	4C	6C	7C	113.667	1.34	880	12	0.85	T4	T4	T4
	80	71	71	71	63	80	128.333	1.34	990	11	0.85	T4	T4	T4
	160	160	105	120	160	120	137.950	1.12	887	10	0.84	T4	T4	T4
							155.750	1.12	997	9.0	0.84	T4	T4	T4
							174.375	0.90	891	8.0	0.84	T4	T4	T4
							196.875	0.90	1001	7.1	0.83	T4	T4	T4
GSS07-2N □□□ □D	1D	2D					14.286	2.31	210	98	0.93	T3	T3	T3
	90	80					22.143	2.31	318	63	0.91	T3	T3	T3
	160	160					35.306	2.31	506	40	0.91	T4	T4	T4
							43.271	2.29	615	32	0.91	T4	T4	T4
							50.000	2.31	674	28	0.86	T4	T4	T4
							70.611	2.31	951	20	0.86	T4	T4	T4
							79.722	2.22	1030	18	0.85	T4	T4	T4
							86.542	2.05	1030	16	0.85	T4	T4	T4
							97.708	1.82	1030	14	0.85	T4	T4	T4
							113.667	1.57	1030	12	0.85	T4	T4	T4
							128.333	1.39	1030	11	0.85	T4	T4	T4
							137.950	1.30	1030	10	0.84	T4	T4	T4
							155.750	1.15	1030	9.0	0.84	T4	T4	T4
							174.375	1.04	1030	8.0	0.84	T4	T4	T4
							196.875	0.92	1030	7.1	0.83	T4	T4	T4
GSS07-2N □□□ □E	1E	1E	2E	3E	4E		10.000	6.60	419	140	0.93	T3	T3	T3
	100	112	90	80	90		11.200	6.60	470	125	0.93	T3	T3	T3
	160	160	160	160	200		14.286	6.43	584	98	0.93	T3	T3	T3
							15.500	6.60	635	90	0.91	T3	T3	T3
							17.360	6.60	711	81	0.91	T3	T3	T3
							22.143	6.43	884	63	0.91	T3	T3	T3
							27.125	5.53	932	52	0.91	T4	T3	T4
							31.000	5.16	935	45	0.86	T3	T3	T3
							35.306	4.45	974	40	0.91	T4	T4	T4
							39.200	4.18	955	36	0.86	T4	T3	T4
							43.271	3.81	1021	32	0.91	T4	T4	T4
							50.000	3.48	1016	28	0.86	T4	T4	T4
							54.250	3.25	1030	26	0.86	T4	T4	T4
							61.250	2.88	1030	23	0.86	T4	T4	T4

For dimensions, see page 7-54 onwards.

# Helical-worm gearbox selection table

Gearboxes with mounting flange for Atex category 2GD, 3GD (zone 1, 21, 2, 22)

$M_2 \text{ perm} \leq 1030 \text{ Nm}$				GSS07-2N □□□					Temperature class		
Gearbox with	Mounting flange size			i	$P_1 \text{ perm}$	$M_2 \text{ perm}$	$n_2$	$\eta_G$	T3 (G) $\cong$ 190 °C (D)		
	Motor frame size	Flange diameter							T4 (G) $\cong$ 125 °C (D)		
								Mounting position			
					[kW]	[Nm]	[rpm]	A, B, E, F	C	D	

$n_1 = 1400 \text{ rpm}$

GSS07-2N □□□ □E	1E	1E	2E	3E	4E	70.611	2.50	1030	20	0.86	T4	T4	T4	
	100	112	90	80	90	79.722	2.22	1030	18	0.85	T4	T4	T4	
	160	160	160	160	200	86.542	2.05	1030	16	0.85	T4	T4	T4	
						97.708	1.82	1030	14	0.85	T4	T4	T4	
						113.667	1.57	1030	12	0.85	T4	T4	T4	
						128.333	1.39	1030	11	0.85	T4	T4	T4	
						137.950	1.30	1030	10	0.84	T4	T4	T4	
						155.750	1.15	1030	9.0	0.84	T4	T4	T4	
	GSS07-2N □□□ □F	1F	1F	2F	3F		5.862	6.60	245	239	0.93	T3	T3	T3
		100	112	90	90		8.125	6.60	340	172	0.93	T3	T3	T3
160		160	160	200		9.086	6.60	371	154	0.91	T3	T3	T3	
						10.000	6.60	419	140	0.93	T3	T3	T3	
						11.200	6.60	470	125	0.93	T3	T3	T3	
						12.594	6.60	515	111	0.91	T3	T3	T3	
						14.286	6.60	599	98	0.93	T3	T3	T3	
						15.500	6.60	635	90	0.91	T3	T3	T3	
						17.360	6.60	711	81	0.91	T3	T3	T3	
						20.517	6.41	764	68	0.85	T3	T3	T3	
						22.143	6.60	908	63	0.91	T3	T3	T3	
						25.188	5.97	878	56	0.86	T3	T3	T3	
						27.125	5.84	983	52	0.91	T4	T3	T4	
						31.000	5.16	935	45	0.86	T3	T3	T3	
						35.306	4.69	1027	40	0.91	T4	T4	T4	
						39.200	4.18	955	36	0.86	T4	T3	T4	
						43.271	3.84	1030	32	0.91	T4	T4	T4	
						50.000	3.48	1016	28	0.86	T4	T3	T4	
						54.250	3.25	1030	26	0.86	T4	T4	T4	
						61.250	2.88	1030	23	0.86	T4	T4	T4	
GSS07-2N □□□ □G	1G	2G	2G	3G		5.862	14.52	539	239	0.93	T3	T3	T3	
	132	100	112	132		8.125	13.28	685	172	0.93	T3	T3	T3	
	300	250	250	250		9.086	11.18	628	154	0.91	T3	T3	T3	
						10.000	12.55	797	140	0.93	T3	T3	T3	
						11.200	12.17	866	125	0.93	T3	T3	T3	
						12.594	10.23	799	111	0.91	T3	T3	T3	
						14.286	11.07	1005	98	0.93	T3	T3	T3	
						15.500	9.67	931	90	0.91	T3	T3	T3	
						17.360	8.94	964	81	0.91	T3	T3	T3	
						20.517	6.41	764	68	0.85	T3	T3	T3	
						22.143	7.49	1030	63	0.91	T3	T3	T3	
						25.188	5.97	878	56	0.86	T3	T3	T3	
						27.125	6.11	1030	52	0.91	T4	T3	T4	
						31.000	5.16	935	45	0.86	T3	T3	T3	
						39.200	4.18	955	36	0.86	T3	T3	T3	
						50.000	3.48	1016	28	0.86	T4	T3	T4	
						54.250	3.25	1030	26	0.86	T4	T3	T4	
						61.250	2.88	1030	23	0.86	T4	T3	T4	
	GSS07-2N □□□ □H	1H	3H				5.862	14.52	539	239	0.93	T3	T3	T3
		160	132				8.125	13.28	685	172	0.93	T3	T3	T3
350		300				9.086	11.18	628	154	0.91	T3	T3	T3	
						10.000	12.55	797	140	0.93	T3	T3	T3	
						11.200	12.17	866	125	0.93	T3	T3	T3	
						12.594	10.23	799	111	0.91	T3	T3	T3	
						15.500	9.67	931	90	0.91	T3	T3	T3	
						17.360	8.94	964	81	0.91	T3	T3	T3	
						20.517	6.41	764	68	0.85	T3	T3	T3	
						25.188	5.97	878	56	0.86	T3	T3	T3	
						31.000	5.16	935	45	0.86	T3	T3	T3	
						39.200	4.18	955	36	0.86	T3	T3	T3	

For dimensions, see page 7-54 onwards.

# Helical-worm gearbox selection table

Gearboxes with mounting flange for Atex category 2GD, 3GD (zone 1, 21, 2, 22)

$M_2 \text{ perm} \leq 1030 \text{ Nm}$							GSS07-2N □□□							
Gearbox with	Mounting flange size						i	$P_{1 \text{ perm}}$	$M_2 \text{ perm}$	$n_2$	$\eta_G$	Temperature class		
	Motor frame size	Motor frame size		Motor frame size		Motor frame size						T3 (G) $\cong$ 190 °C (D) T4 (G) $\cong$ 125 °C (D)		
Flange diameter	Flange diameter		Flange diameter		Flange diameter						Mounting position			
											A, B, E, F	C	D	
								[kW]	[Nm]	[rpm]				
<b><math>n_1 = 700 \text{ rpm}</math></b>														
GSS07-2N □□□ □C	1C	2C	3C	4C	6C	7C	113.667	0.67	856	6.2	0.82	T4	T4	T4
	80	71	71	71	63	80	128.333	0.67	960	5.5	0.82	T4	T4	T4
	160	160	105	120	160	120	137.950	0.56	856	5.1	0.81	T4	T4	T4
							155.750	0.56	959	4.5	0.81	T4	T4	T4
							174.375	0.45	851	4.0	0.80	T4	T4	T4
							196.875	0.45	953	3.6	0.79	T4	T4	T4
GSS07-2N □□□ □D	1D	2D					14.286	1.54	279	49	0.93	T4	T4	T4
	90	80					22.143	1.54	422	32	0.91	T4	T4	T4
	160	160					35.306	1.34	582	20	0.90	T4	T4	T4
							43.271	1.15	609	16	0.90	T4	T4	T4
							50.000	1.54	893	14	0.85	T4	T4	T4
							70.611	1.27	1030	9.9	0.84	T4	T4	T4
							79.722	1.13	1030	8.8	0.84	T4	T4	T4
							86.542	1.04	1030	8.1	0.84	T4	T4	T4
							97.708	0.93	1030	7.2	0.83	T4	T4	T4
							113.667	0.80	1030	6.2	0.82	T4	T4	T4
							128.333	0.72	1030	5.5	0.82	T4	T4	T4
							137.950	0.67	1030	5.1	0.81	T4	T4	T4
							155.750	0.60	1030	4.5	0.81	T4	T4	T4
							174.375	0.54	1030	4.0	0.80	T4	T4	T4
							196.875	0.48	1030	3.6	0.79	T4	T4	T4
	GSS07-2N □□□ □E	1E	1E	2E	3E	4E		10.000	4.08	519	70	0.93	T4	T3
100		112	90	80	90		11.200	3.80	541	63	0.93	T4	T4	T4
160		160	160	160	200		14.286	3.21	583	49	0.93	T4	T4	T4
							15.500	4.08	786	45	0.91	T4	T4	T4
							17.360	3.80	820	40	0.91	T4	T4	T4
							22.143	3.21	881	32	0.91	T4	T4	T4
							27.125	2.77	927	26	0.91	T4	T4	T4
							31.000	2.85	1030	23	0.86	T4	T4	T4
							35.306	2.22	967	20	0.90	T4	T4	T4
							39.200	2.23	1016	18	0.85	T4	T4	T4
							43.271	1.90	1010	16	0.90	T4	T4	T4
							50.000	1.75	1016	14	0.85	T4	T4	T4
							54.250	1.64	1030	13	0.85	T4	T4	T4
							61.250	1.46	1030	11	0.85	T4	T4	T4
							70.611	1.27	1030	9.9	0.84	T4	T4	T4
							79.722	1.13	1030	8.8	0.84	T4	T4	T4
							86.542	1.04	1030	8.1	0.84	T4	T4	T4
							97.708	0.93	1030	7.2	0.83	T4	T4	T4
							113.667	0.80	1030	6.2	0.82	T4	T4	T4
							128.333	0.72	1030	5.5	0.82	T4	T4	T4
						137.950	0.67	1030	5.1	0.81	T4	T4	T4	
						155.750	0.60	1030	4.5	0.81	T4	T4	T4	
GSS07-2N □□□ □F	1F	1F	2F	3F			5.862	4.40	328	119	0.93	T3	T3	T3
	100	112	90	90			8.125	4.40	454	86	0.93	T3	T3	T3
	160	160	160	200			9.086	4.40	497	77	0.91	T3	T3	T3
							10.000	4.31	548	70	0.93	T4	T3	T4
							11.200	4.01	571	63	0.93	T4	T4	T4
							12.594	4.40	688	56	0.91	T3	T3	T3
							14.286	3.38	614	49	0.93	T4	T4	T4
							15.500	4.31	829	45	0.91	T4	T4	T4
							17.360	4.01	864	40	0.91	T4	T4	T4
							20.517	4.30	1030	34	0.86	T3	T3	T3
							22.143	3.38	928	32	0.91	T4	T4	T4
							25.188	3.50	1030	28	0.86	T4	T3	T4
							27.125	2.92	979	26	0.91	T4	T4	T4
							31.000	2.85	1030	23	0.86	T4	T4	T4
							35.306	2.35	1020	20	0.90	T4	T4	T4
							39.200	2.23	1016	18	0.85	T4	T4	T4
							43.271	1.94	1030	16	0.90	T4	T4	T4
							50.000	1.75	1016	14	0.85	T4	T4	T4

For dimensions, see page 7-54 onwards.

# Helical-worm gearbox selection table

Gearboxes with mounting flange for Atex category 2GD, 3GD (zone 1, 21, 2, 22)

$M_2 \text{ perm} \leq 1030 \text{ Nm}$				GSS07-2N □□□								
Gearbox with	Mounting flange size			i	$P_1 \text{ perm}$	$M_2 \text{ perm}$	$n_2$	$\eta_G$	Temperature class			
	Motor frame size	Flange diameter							T3 (G) $\cong$ 190 °C (D) T4 (G) $\cong$ 125 °C (D)			
									Mounting position			
					[kW]	[Nm]	[rpm]		A, B, E, F	C	D	
<b><math>n_1 = 700 \text{ rpm}</math></b>												
GSS07-2N □□□ □F	1F	1F	2F	3F	54.250	1.64	1030	13	0.85	T4	T4	T4
	100	112	90	90	61.250	1.46	1030	11	0.85	T4	T4	T4
	160	160	160	200	70.611	1.27	1030	9.9	0.84	T4	T4	T4
					79.722	1.13	1030	8.8	0.84	T4	T4	T4
					86.542	1.04	1030	8.1	0.84	T4	T4	T4
					97.708	0.93	1030	7.2	0.83	T4	T4	T4
GSS07-2N □□□ □G	1G	2G	2G	3G	5.862	9.19	684	119	0.93	T3	T3	T3
	132	100	112	132	8.125	9.19	949	86	0.93	T3	T3	T3
	300	250	250	250	9.086	9.12	1030	77	0.91	T3	T3	T3
					10.000	8.07	1026	70	0.93	T4	T3	T4
					11.200	7.24	1030	63	0.93	T4	T3	T4
					12.594	6.58	1030	56	0.91	T3	T3	T3
					14.286	5.68	1030	49	0.93	T4	T4	T4
					15.500	5.35	1030	45	0.91	T4	T3	T4
					17.360	4.78	1030	40	0.91	T4	T3	T4
					20.517	4.30	1030	34	0.86	T3	T3	T3
					22.143	3.76	1030	32	0.91	T4	T4	T4
					25.188	3.50	1030	28	0.86	T4	T3	T4
					27.125	3.07	1030	26	0.91	T4	T4	T4
					31.000	2.85	1030	23	0.86	T4	T3	T4
					39.200	2.23	1016	18	0.85	T4	T4	T4
					50.000	1.75	1016	14	0.85	T4	T4	T4
					54.250	1.64	1030	13	0.85	T4	T4	T4
				61.250	1.46	1030	11	0.85	T4	T4	T4	
GSS07-2N □□□ □H	1H	3H			5.862	12.02	896	119	0.93	T3	T3	T3
	160	132			8.125	9.97	1030	86	0.93	T3	T3	T3
	350	300			9.086	9.12	1030	77	0.91	T3	T3	T3
					10.000	8.10	1030	70	0.93	T3	T3	T3
					11.200	7.24	1030	63	0.93	T4	T3	T4
					12.594	6.58	1030	56	0.91	T3	T3	T3
					15.500	5.35	1030	45	0.91	T4	T3	T4
					17.360	4.78	1030	40	0.91	T4	T3	T4
					20.517	4.30	1030	34	0.86	T3	T3	T3
					25.188	3.50	1030	28	0.86	T3	T3	T3
					31.000	2.85	1030	23	0.86	T4	T3	T4
				39.200	2.23	1016	18	0.85	T4	T3	T4	

For dimensions, see page 7-54 onwards.

# Helical-worm gearbox selection table

Gearboxes with mounting flange for Atex category 2GD, 3GD (zone 1, 21, 2, 22)

$M_2 \text{ perm} \leq 1030 \text{ Nm}$		GSS07-3N □□□					Temperature class		
Gearbox with	Mounting flange size Motor frame size Flange diameter	i	$P_1 \text{ perm}$	$M_2 \text{ perm}$	$n_2$	$\eta_G$	T3 (G) $\cong$ 190 °C (D) T4 (G) $\cong$ 125 °C (D)		
							A, B, E, F	C	D

$n_1 = 1400 \text{ rpm}$

GSS07-3N □□□	<b>1B</b>	126.531	1.22	875	11	0.83	T4	T4	T4
		142.857	1.22	984	9.8	0.83	T4	T4	T4
		155.000	1.18	1030	9.0	0.83	T4	T4	T4
		175.000	1.05	1030	8.0	0.82	T4	T4	T4
		201.746	0.84	946	6.9	0.82	T4	T4	T4
		227.778	0.81	1030	6.2	0.81	T4	T4	T4
		247.139	0.76	1030	5.7	0.81	T4	T4	T4
		279.028	0.67	1030	5.0	0.80	T4	T4	T4
		321.673	0.59	1030	4.4	0.79	T4	T4	T4
		363.179	0.53	1030	3.9	0.79	T4	T4	T4
		394.245	0.49	1030	3.6	0.78	T4	T4	T4
		445.116	0.44	1030	3.2	0.77	T4	T4	T4
		490.403	0.40	1030	2.9	0.76	T4	T4	T4
		553.681	0.36	1030	2.5	0.75	T4	T4	T4
		634.639	0.32	1030	2.2	0.74	T4	T4	T4
		716.528	0.29	1030	2.0	0.73	T4	T4	T4
		833.556	0.25	1030	1.7	0.71	T4	T4	T4
		941.111	0.23	1030	1.5	0.70	T4	T4	T4
		1011.633	0.21	1030	1.4	0.69	T4	T4	T4
		1142.167	0.19	1030	1.2	0.69	T4	T4	T4
1227.755	0.18	1030	1.1	0.68	T4	T4	T4		
1386.175	0.16	1030	1.0	0.67	T4	T4	T4		
1569.181	0.14	1030	0.9	0.66	T4	T4	T4		
1771.656	0.13	1030	0.8	0.67	T4	T4	T4		
GSS07-3N □□□	□C	126.531	1.43	1030	11	0.83	T4	T4	T4
		142.857	1.27	1030	9.8	0.83	T4	T4	T4
		155.000	1.18	1030	9.0	0.83	T4	T4	T4
		175.000	1.05	1030	8.0	0.82	T4	T4	T4
		201.746	0.91	1030	6.9	0.82	T4	T4	T4
		227.778	0.81	1030	6.2	0.81	T4	T4	T4
		247.139	0.76	1030	5.7	0.81	T4	T4	T4
		279.028	0.67	1030	5.0	0.80	T4	T4	T4
		321.673	0.59	1030	4.4	0.79	T4	T4	T4
		363.179	0.53	1030	3.9	0.79	T4	T4	T4
		394.245	0.49	1030	3.6	0.78	T4	T4	T4
		445.116	0.44	1030	3.2	0.77	T4	T4	T4
		490.403	0.40	1030	2.9	0.76	T4	T4	T4
		553.681	0.36	1030	2.5	0.75	T4	T4	T4
		634.639	0.32	1030	2.2	0.74	T4	T4	T4
		716.528	0.29	1030	2.0	0.73	T4	T4	T4
		833.556	0.25	1030	1.7	0.71	T4	T4	T4
		941.111	0.23	1030	1.5	0.70	T4	T4	T4
		1011.633	0.21	1030	1.4	0.69	T4	T4	T4
		1142.167	0.19	1030	1.2	0.69	T4	T4	T4
1227.755	0.18	1030	1.1	0.68	T4	T4	T4		
1386.175	0.16	1030	1.0	0.67	T4	T4	T4		
GSS07-3N □□□	□D	126.531	1.43	1030	11	0.83	T4	T4	T4
		142.857	1.27	1030	9.8	0.83	T4	T4	T4
		155.000	1.18	1030	9.0	0.83	T4	T4	T4
		175.000	1.05	1030	8.0	0.82	T4	T4	T4
		201.746	0.91	1030	6.9	0.82	T4	T4	T4
		227.778	0.81	1030	6.2	0.81	T4	T4	T4
		247.139	0.76	1030	5.7	0.81	T4	T4	T4
		279.028	0.67	1030	5.0	0.80	T4	T4	T4
		321.673	0.59	1030	4.4	0.79	T4	T4	T4
		363.179	0.53	1030	3.9	0.79	T4	T4	T4
		394.245	0.49	1030	3.6	0.78	T4	T4	T4
		445.116	0.44	1030	3.2	0.77	T4	T4	T4
490.403	0.40	1030	2.9	0.76	T4	T4	T4		
553.681	0.36	1030	2.5	0.75	T4	T4	T4		

For dimensions, see page 7-54 onwards.

# Helical-worm gearbox selection table

Gearboxes with mounting flange for Atex category 2GD, 3GD (zone 1, 21, 2, 22)

$M_2 \text{ perm} \leq 1030 \text{ Nm}$						GSS07-3N □□□								
Gearbox with	Mounting flange size Motor frame size Flange diameter					i	$P_1 \text{ perm}$ [kW]	$M_2 \text{ perm}$ [Nm]	$n_2$ [rpm]	$\eta_G$	Temperature class T3 (G) $\cong$ 190 °C (D) T4 (G) $\cong$ 125 °C (D)			
	Mounting position A, B, C E, F			D										
<b><math>n_1 = 1400 \text{ rpm}</math></b>														
GSS07-3N □□□	□E					126.531	1.43	1030	11	0.83	T4	T4	T4	
	<b>1E</b>	<b>1E</b>	2E	3E	4E	142.857	1.27	1030	9.8	0.83	T4	T4	T4	
	<b>100</b>	<b>112</b>	90	80	90	155.000	1.18	1030	9.0	0.83	T4	T4	T4	
	<b>160</b>	<b>160</b>	160	160	200	175.000	1.05	1030	8.0	0.82	T4	T4	T4	
<b><math>n_1 = 700 \text{ rpm}</math></b>														
GSS07-3N □□□	<b>1B</b>					126.531	0.61	847	5.5	0.81	T4	T4	T4	
	<b>71</b>					142.857	0.61	950	4.9	0.80	T4	T4	T4	
	<b>105</b>					155.000	0.61	1022	4.5	0.80	T4	T4	T4	
						175.000	0.55	1030	4.0	0.79	T4	T4	T4	
						201.746	0.42	897	3.5	0.78	T4	T4	T4	
						227.778	0.42	1004	3.1	0.77	T4	T4	T4	
						247.139	0.40	1030	2.8	0.76	T4	T4	T4	
						279.028	0.36	1030	2.5	0.75	T4	T4	T4	
						321.673	0.32	1030	2.2	0.74	T4	T4	T4	
						363.179	0.29	1030	1.9	0.73	T4	T4	T4	
						394.245	0.27	1030	1.8	0.72	T4	T4	T4	
						445.116	0.24	1030	1.6	0.71	T4	T4	T4	
						490.403	0.22	1030	1.4	0.70	T4	T4	T4	
						553.681	0.20	1030	1.3	0.69	T4	T4	T4	
						634.639	0.18	1030	1.1	0.68	T4	T4	T4	
						716.528	0.16	1030	1.0	0.67	T4	T4	T4	
						833.556	0.14	1030	0.8	0.66	T4	T4	T4	
						941.111	0.12	1030	0.7	0.67	T4	T4	T4	
						1011.633	0.11	1030	0.7	0.66	T4	T4	T4	
						1142.167	0.10	1030	0.6	0.67	T4	T4	T4	
						1227.755	0.09	1030	0.6	0.66	T4	T4	T4	
						1386.175	0.08	1030	0.5	0.67	T4	T4	T4	
						1569.181	0.07	1030	0.5	0.66	T4	T4	T4	
						1771.656	0.06	1030	0.4	0.67	T4	T4	T4	
GSS07-3N □□□	□C					126.531	0.74	1030	5.5	0.81	T4	T4	T4	
	<b>1C</b>	2C	3C	4C	6C	7C	142.857	0.66	1030	4.9	0.80	T4	T4	T4
	<b>80</b>	71	71	71	63	80	155.000	0.61	1030	4.5	0.80	T4	T4	T4
	<b>160</b>	160	105	120	160	120	175.000	0.55	1030	4.0	0.79	T4	T4	T4
							201.746	0.48	1030	3.5	0.78	T4	T4	T4
							227.778	0.43	1030	3.1	0.77	T4	T4	T4
							247.139	0.40	1030	2.8	0.76	T4	T4	T4
							279.028	0.36	1030	2.5	0.75	T4	T4	T4
							321.673	0.32	1030	2.2	0.74	T4	T4	T4
							363.179	0.29	1030	1.9	0.73	T4	T4	T4
							394.245	0.27	1030	1.8	0.72	T4	T4	T4
							445.116	0.24	1030	1.6	0.71	T4	T4	T4
							490.403	0.22	1030	1.4	0.70	T4	T4	T4
							553.681	0.20	1030	1.3	0.69	T4	T4	T4
							634.639	0.18	1030	1.1	0.68	T4	T4	T4
							716.528	0.16	1030	1.0	0.67	T4	T4	T4
							833.556	0.14	1030	0.8	0.66	T4	T4	T4
							941.111	0.12	1030	0.7	0.67	T4	T4	T4
							1011.633	0.11	1030	0.7	0.66	T4	T4	T4
							1142.167	0.10	1030	0.6	0.67	T4	T4	T4
							1227.755	0.09	1030	0.6	0.66	T4	T4	T4
							1386.175	0.08	1030	0.5	0.67	T4	T4	T4
GSS07-3N □□□	□D					126.531	0.74	1030	5.5	0.81	T4	T4	T4	
	<b>1D</b>	2D				142.857	0.66	1030	4.9	0.80	T4	T4	T4	
	<b>90</b>	80				155.000	0.61	1030	4.5	0.80	T4	T4	T4	
	<b>160</b>	160				175.000	0.55	1030	4.0	0.79	T4	T4	T4	
						201.746	0.48	1030	3.5	0.78	T4	T4	T4	

For dimensions, see page 7-54 onwards.



# Helical-worm gearbox selection table

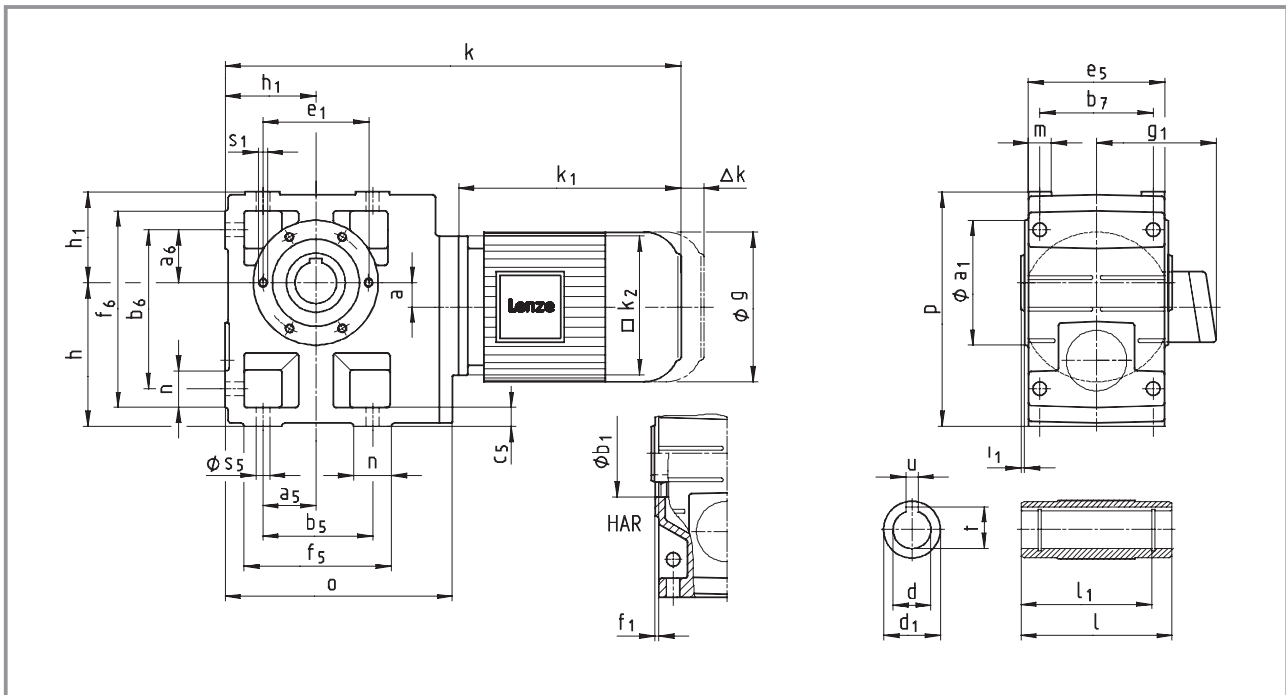
Gearboxes with mounting flange for Atex category 2GD, 3GD (zone 1, 21, 2, 22)

$M_2 \text{ perm} \leq 1030 \text{ Nm}$		GSS07-3N □□□							
Gearbox with	Mounting flange size Motor frame size Flange diameter	i	$P_1 \text{ perm}$ [kW]	$M_2 \text{ perm}$ [Nm]	$n_2$ [rpm]	$\eta_G$	Temperature class		
							T3 (G) $\cong$ 190 °C (D) T4 (G) $\cong$ 125 °C (D)		
							Mounting position		
							A, E, F	B, C	D
<b><math>n_1 = 700 \text{ rpm}</math></b>									
GSS07-3N □□□	□D	227.778	0.43	1030	3.1	0.77	T4	T4	T4
	<b>1D</b> 2D	247.139	0.40	1030	2.8	0.76	T4	T4	T4
	<b>90</b> 80	279.028	0.36	1030	2.5	0.75	T4	T4	T4
	<b>160</b> 160	321.673	0.32	1030	2.2	0.74	T4	T4	T4
		363.179	0.29	1030	1.9	0.73	T4	T4	T4
		394.245	0.27	1030	1.8	0.72	T4	T4	T4
		445.116	0.24	1030	1.6	0.71	T4	T4	T4
		490.403	0.22	1030	1.4	0.70	T4	T4	T4
		553.681	0.20	1030	1.3	0.69	T4	T4	T4
GSS07-3N □□□	□E	126.531	0.74	1030	5.5	0.81	T4	T4	T4
	<b>1E</b> 1E 2E 3E 4E	142.857	0.66	1030	4.9	0.80	T4	T4	T4
	<b>100</b> <b>112</b> 90 80 90	155.000	0.61	1030	4.5	0.80	T4	T4	T4
	<b>160</b> <b>160</b> 160 160 200	175.000	0.55	1030	4.0	0.79	T4	T4	T4

For dimensions, see page 7-54 onwards.

# Helical-worm gearbox dimensions

Geared motors for Atex category 2G, 2D, 3G, 3D (zone 1, 21, 2, 22)



Geared motor							Motor frame size									
<b>GSS□□-2M HOR</b>							063-12	063-32	071-12	071-32	080-12	080-32	090-12 090-32	100-12	100-32	112-22
Motor		<b>g</b>					129	142		156		176	194		233	
		<b>g<sub>1</sub></b> Without options					125	127		134		128	139		164	
		<b>k<sub>1</sub></b>					169	181	181	187	200	220	242	280	296	316
		<b>k<sub>2</sub></b>					120		145		145		180	180		222
Gearbox size	Gearbox						Overall length									
	o	l*	p*	h*	h <sub>1</sub>	a	k									
04	181	115	171	100	71	20	359	371	371	377	395	415	447			
05	212	140	205	125	80	23	381	393	393	399	417	437	469	507	523	
06	255	160	250	150	100	26	421	433	433	439	457	477	509	547	563	589
07	305	200	310	190	120	33					500	520	552	590	606	632

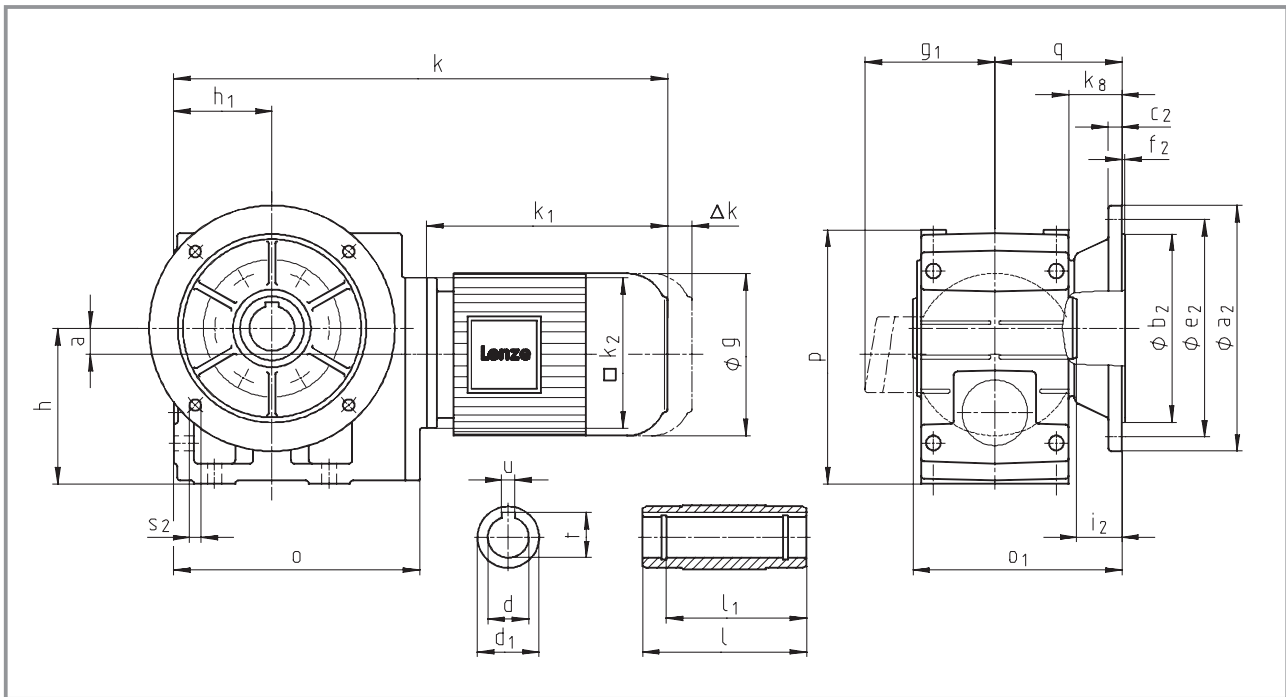
Gearbox size	Foot											
	a <sub>5</sub>	a <sub>6</sub>	b <sub>5</sub>	b <sub>6</sub>	b <sub>7</sub>	c <sub>5</sub>	e <sub>5</sub>	f <sub>5</sub>	f <sub>6</sub>	n	m	s <sub>5</sub>
04	45	45	90	119	85	14	100	112	141	22	20	9
05	47.5	47.5	95	140	105	17	127	124	169	29	21	11
06	60	60	120	170	120	20	145	156	206	36	23	14
07	70	70	140	210	150	25	180	185	255	45	28	18

Gearbox size	Hollow shaft						Threaded pitch circle					
	d H7	l	d <sub>1</sub>	l <sub>1</sub>	u JS9	t +0.2	a <sub>1</sub>	b <sub>1</sub> H7	e <sub>1</sub>	f <sub>1</sub>	i <sub>1</sub>	s <sub>1</sub> 6 x 60°
04	25 30	115	45	100	8 8	28.3 33.3	105	75	90	3	2.5	M6x12
05	30 35	140	50	124	8 10	33.3 38.3	118	80	100	4	4	M8x15
06	40 45	160	65	140	12 14	43.3 48.8	140	100	120	4	5	M10x16
07	50 55	200	75	175	14 16	53.8 59.3	165	115	140	5	5	M12x18

Dimensions in [mm] \* Observe dimension k<sub>2</sub>; with gearbox size 04 and motor frame size 090, dimension k<sub>2</sub>/2 > h-a.

# Helical-worm gearbox dimensions

Geared motors for Atex category 2G, 2D, 3G, 3D (zone 1, 21, 2, 22)



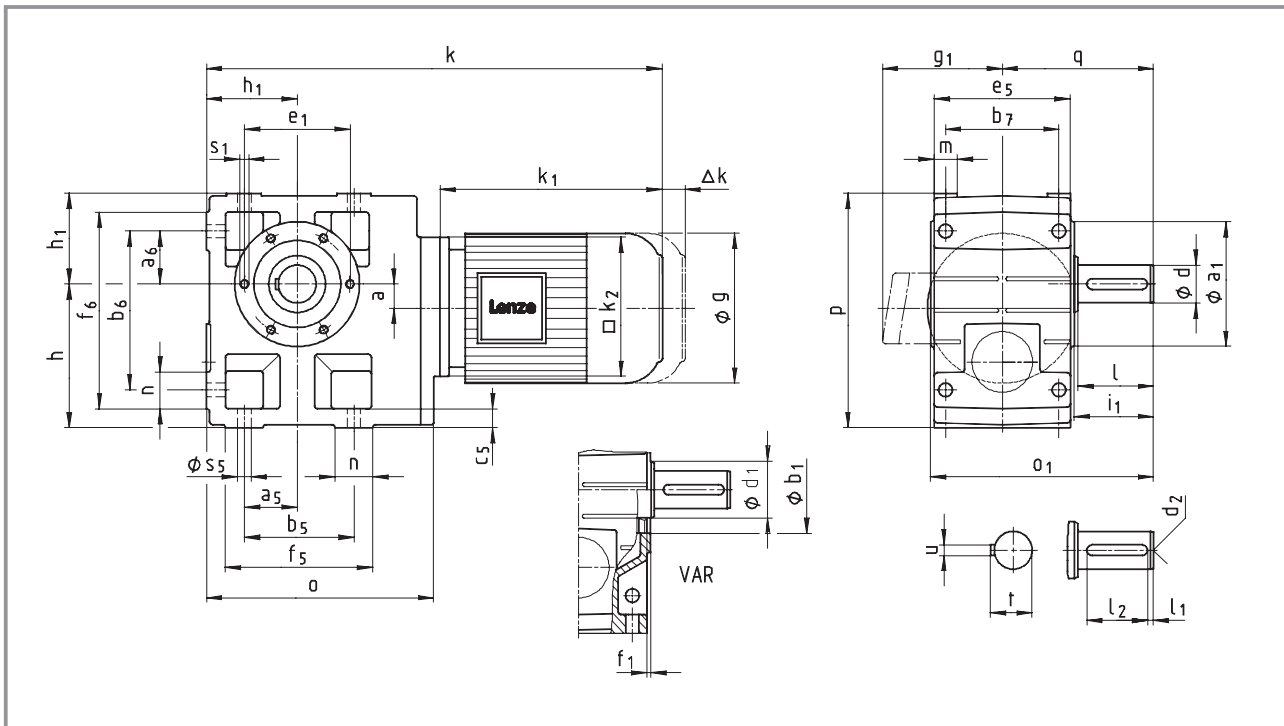
Geared motor		Motor frame size																
<b>GSS□□-2M HAK</b>		063-12	063-32	071-12	071-32	080-12	080-32	090-12 090-32	100-12	100-32	112-22							
Motor	<b>g</b>	129		142		156		176	194		233							
	<b>g<sub>1</sub></b> Without options	125		127		134		128	139		164							
	<b>k<sub>1</sub></b>	169	181	181	187	200	220	242	280	296	316							
	<b>k<sub>2</sub></b>	120		145		145		180	180		222							
Gearbox size	Gearbox								Overall length									
	<b>o</b>	<b>o<sub>1</sub>*</b>	<b>p*</b>	<b>h*</b>	<b>h<sub>1</sub></b>	<b>a</b>	<b>k<sub>8</sub></b>	<b>q</b>	<b>k</b>									
<b>04</b>	181	148	171	100	71	20	38	90.5	359	371	371	377	395	415	447			
<b>05</b>	212	173	205	125	80	23	40	103	381	393	393	399	417	437	469	507	523	
<b>06</b>	255	201	250	150	100	26	49	121	421	433	433	439	457	477	509	547	563	589
<b>07</b>	305	255	310	190	120	33	65	155					500	520	552	590	606	632

Gearbox size	Hollow shaft						Output flange							
	<b>d</b> H7	<b>l</b>	<b>d<sub>1</sub></b>	<b>l<sub>1</sub></b>	<b>u</b> JS9	<b>t</b> +0.2	<b>a<sub>2</sub></b>	<b>b<sub>2</sub></b> j7	<b>c<sub>2</sub></b>	<b>e<sub>2</sub></b>	<b>f<sub>2</sub></b>	<b>i<sub>2</sub></b>	<b>s<sub>2</sub></b>	
<b>04</b>	25 30	115	45	100	8 8	28.3 33.3	160	110	10	130	3.5	33	4 x 9	
<b>05</b>	30 35	140	50	124	8 10	33.3 38.3	200	130	12	165	3.5	33	4 x 11	
<b>06</b>	40 45	160	65	140	12 14	43.3 48.8	200 250	130 180	12 15	165 215	3.5 4	42 41	4 x 11 4 x 14	
<b>07</b>	50 55	200	75	175	14 16	53.8 59.3	250 300	180 230	15 17	215 265	4	55	4 x 14	

Dimensions in [mm] \* Observe dimension  $k_2$ ; with gearbox size 04 and motor frame size 090, dimension  $k_2/2 > h-a$ .

# Helical-worm gearbox dimensions

Geared motors for Atex category 2G, 2D, 3G, 3D (zone 1, 21, 2, 22)



Geared motor		Motor frame size																
		063-12	063-32	071-12	071-32	080-12	080-32	090-12 090-32	100-12	100-32	112-22							
<b>GSS□□-2M VDR</b>																		
Motor																		
g		129		142		156		176		194		233						
g <sub>1</sub> Without options		125		127		134		128		139		164						
k <sub>1</sub>		169		181		200		220		242		280						
k <sub>2</sub>		120		145		145		180		180		222						
Gearbox size		Gearbox						Overall length										
		o	o <sub>1</sub> *	p*	h*	h <sub>1</sub>	a	q	k									
04		181	163	171	100	71	20	107.5	359	371	371	377	395	415	447			
05		212	197	205	125	80	23	130	381	393	393	399	417	437	469	507	523	
06		255	236	250	150	100	26	160	421	433	433	439	457	477	509	547	563	589
07		305	296	310	190	120	33	200					500	520	552	590	606	632

Gearbox size	Foot											
	a <sub>5</sub>	a <sub>6</sub>	b <sub>5</sub>	b <sub>6</sub>	b <sub>7</sub>	c <sub>5</sub>	e <sub>5</sub>	f <sub>5</sub>	f <sub>6</sub>	n	m	s <sub>5</sub>
04	45	45	90	119	85	14	100	112	141	22	20	9
05	47.5	47.5	95	140	105	17	127	124	169	29	21	11
06	60	60	120	170	120	20	145	156	206	36	23	14
07	70	70	140	210	150	25	180	185	255	45	28	18

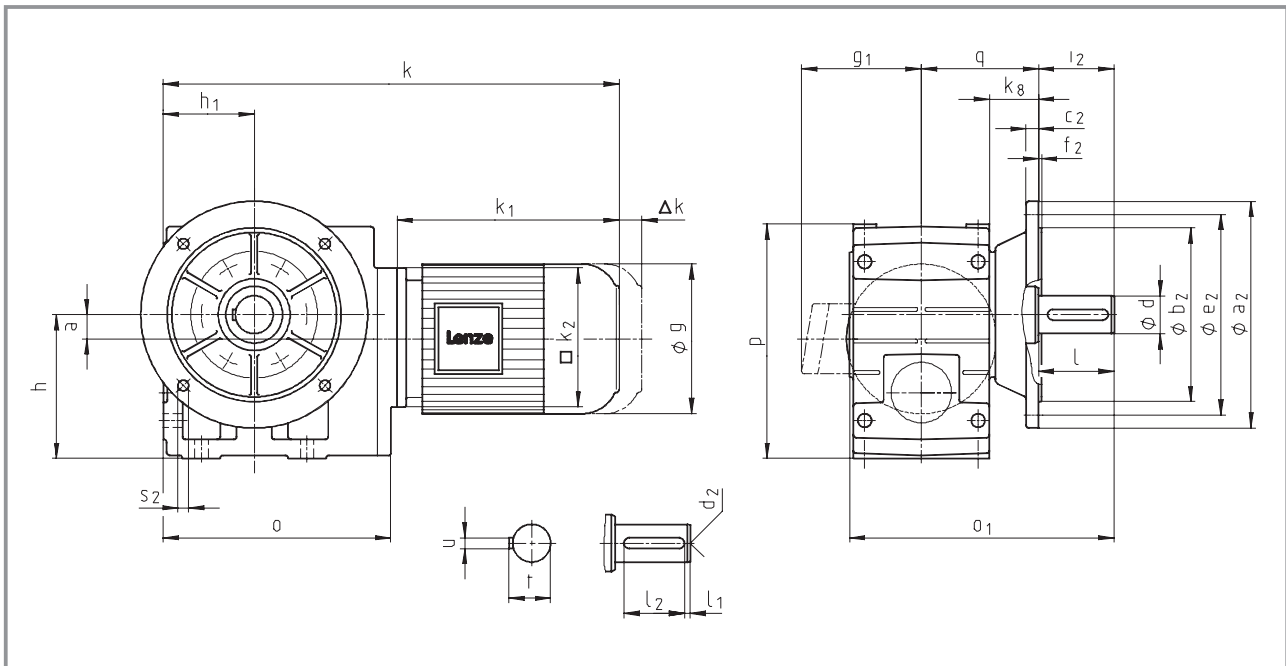
Gearbox size	Solid shaft									Threaded pitch circle					
	d	l	d <sub>1</sub>	l <sub>1</sub>	l <sub>2</sub>	d <sub>2</sub>	u	t	a <sub>1</sub>	b <sub>1</sub> H7	e <sub>1</sub>	f <sub>1</sub>	i <sub>1</sub>	s <sub>1</sub> 6x60°	
04	25	50	45	4	40	M10	8	28	105	75	90	3	52.5	M6x12	
05	30	60	50	6	45	M10	8	33	118	80	100	4	64	M8x15	
06	40	80	65	7	63	M16	12	43	140	100	120	4	85	M10x16	
07	50	100	75	8	80	M16	14	53.5	165	115	140	5	105	M12x18	

Dimensions in [mm] d ≤ 50 mm: k6  
d > 50 mm: m6

\* Observe dimension k<sub>2</sub>; with gearbox size 04 and motor frame size 090, dimension k<sub>2</sub>/2 > h-a.

# Helical-worm gearbox dimensions

Geared motors for Atex category 2G, 2D, 3G, 3D (zone 1, 21, 2, 22)



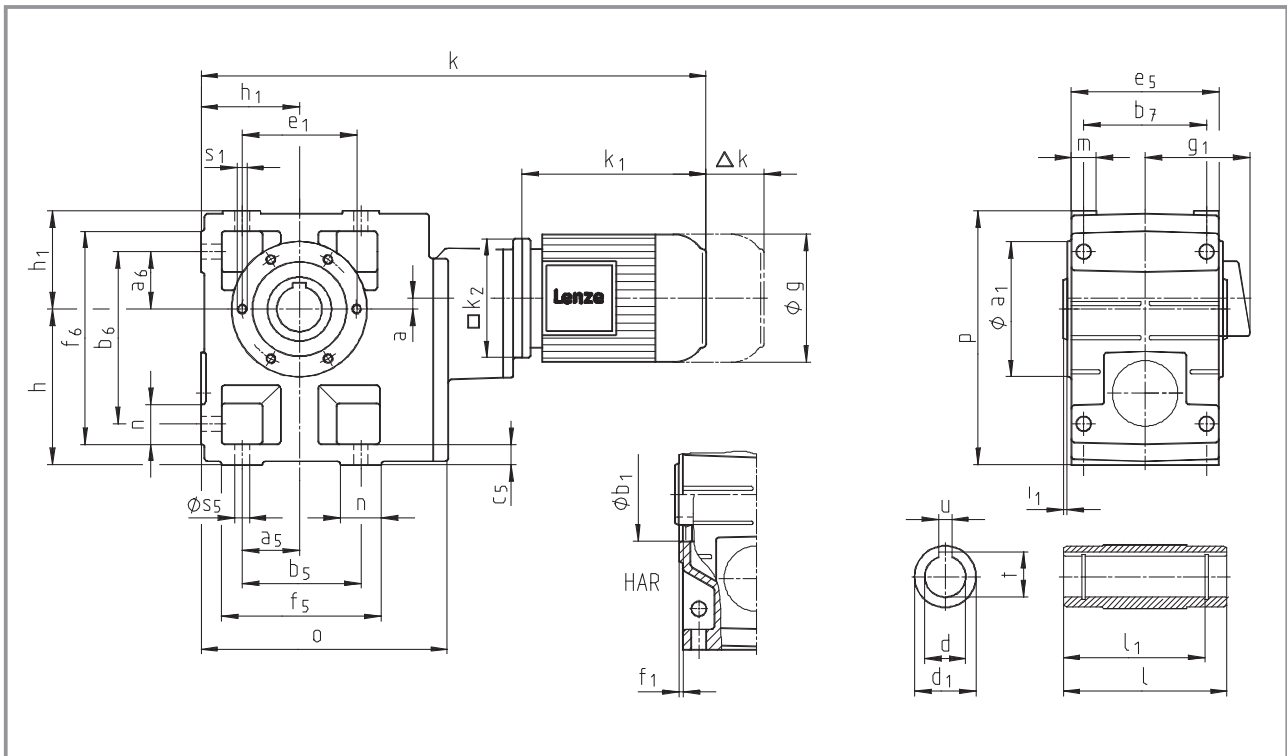
Geared motor <b>GSS□□-2M VAK</b>		Motor frame size																	
		063-12	063-32	071-12	071-32	080-12	080-32	090-12 090-32	100-12	100-32	112-22								
Motor	<b>g</b>	129		142		156		176		194		233							
	<b>g<sub>1</sub></b> Without options	125		127		134		128		139		164							
	<b>k<sub>1</sub></b>	169	181	181	187	200	220	242	280	296	316								
	<b>k<sub>2</sub></b>	120		145		145		180		180		222							
Gearbox size	Gearbox									Overall length									
	<b>o</b>	<b>o<sub>1</sub>*</b>	<b>p*</b>	<b>h*</b>	<b>h<sub>1</sub></b>	<b>a</b>	<b>k<sub>8</sub></b>	<b>q</b>	<b>k</b>										
	<b>04</b>	181	196	171	100	71	20	38	90.5	359	371	371	377	395	415	447			
	<b>05</b>	212	230	205	125	80	23	40	103	381	393	393	399	417	437	469	507	523	
	<b>06</b>	255	277	250	150	100	26	49	121	421	433	433	439	457	477	509	547	563	589
<b>07</b>	305	351	310	190	120	33	65	155					500	520	552	590	606	632	

Gearbox size	Solid shaft								Output flange						
	<b>d</b>	<b>l</b>	<b>l<sub>1</sub></b>	<b>l<sub>2</sub></b>	<b>d<sub>2</sub></b>	<b>u</b>	<b>t</b>	<b>a<sub>2</sub></b>	<b>b<sub>2</sub></b> j7	<b>c<sub>2</sub></b>	<b>e<sub>2</sub></b>	<b>f<sub>2</sub></b>	<b>i<sub>2</sub></b>	<b>s<sub>2</sub></b>	
<b>04</b>	25	50	4	40	M10	8	28	160	110	10	130	3.5	50	4 x 9	
<b>05</b>	30	60	6	45	M10	8	33	200	130	12	165	3.5	60	4 x 11	
<b>06</b>	40	80	7	63	M16	12	43	250	180	15	215	4	80	4 x 14	
<b>07</b>	50	100	8	80	M16	14	53.5	250 300	180 230	15 17	215 265	4	100	4 x 14	

Dimensions in [mm]    d ≤ 50 mm: k6    \* Observe dimension k<sub>2</sub>; with gearbox size 04 and motor frame size 090, dimension k<sub>2</sub>/2 > h-a.  
d > 50 mm: m6

# Helical-worm gearbox dimensions

Geared motors for Atex category 2G, 2D, 3G, 3D (zone 1, 21, 2, 22)



Geared motor							Motor frame size									
<b>GSS□□-3M HOR</b>							063-12	063-32	071-12	071-32	080-12	080-32	090-12 090-32	100-12	100-32	
Motor							<b>g</b>	129		142		156		176	194	
							<b>g<sub>1</sub></b>	125		127		134		128	139	
							<b>k<sub>1</sub></b>	169	181	181	187	200	220	242	280	296
							<b>k<sub>2</sub></b>	120		145		145		180	180	
Gearbox size	Gearbox						Overall length									
	o	l*	p*	h	h <sub>1</sub>	a	k									
05	209	140	205	125	80	13	457	469	469	475	493	513				
06	252	160	250	150	100	10	514	526	526	532	550	570	602			
07	299	200	310	190	120	12	568	580	580	586	604	624	656	694	710	

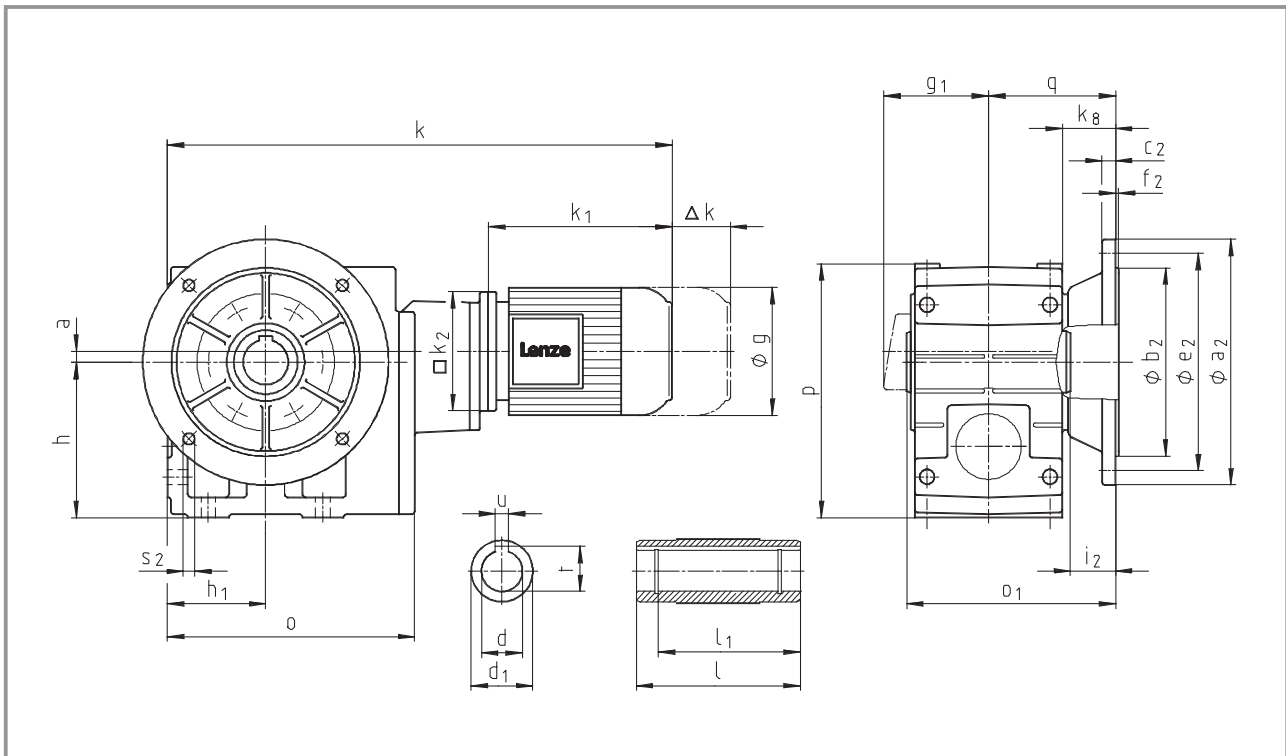
Gearbox size	Foot												
	a <sub>5</sub>	a <sub>6</sub>	b <sub>5</sub>	b <sub>6</sub>	b <sub>7</sub>	c <sub>5</sub>	e <sub>5</sub>	f <sub>5</sub>	f <sub>6</sub>	n	m	s <sub>5</sub>	
05	47.5	47.5	95	140	105	17	127	124	169	29	21	11	
06	60	60	120	170	120	20	145	156	206	36	23	14	
07	70	70	140	210	150	25	180	185	255	45	28	18	

Gearbox	Hollow shaft						Threaded pitch circle						
	size H7	d	l	d <sub>1</sub>	l <sub>1</sub> JS9	u +0.2	t	a <sub>1</sub> H7	b <sub>1</sub>	e <sub>1</sub>	f <sub>1</sub>	i <sub>1</sub> s <sub>1</sub> 6 x 60°	
05	30 35	140	50	124	8 10	33.3 38.3	118	80	100	4	4	M8x15	
06	40 45	160	65	140	12 14	43.3 48.8	140	100	120	4	5	M10x16	
07	50 55	200	75	175	14 16	53.8 59.3	165	115	140	5	5	M12x18	

Dimensions in [mm] \* Observe dimension k<sub>2</sub>.

# Helical-worm gearbox dimensions

Geared motors for Atex category 2G, 2D, 3G, 3D (zone 1, 21, 2, 22)



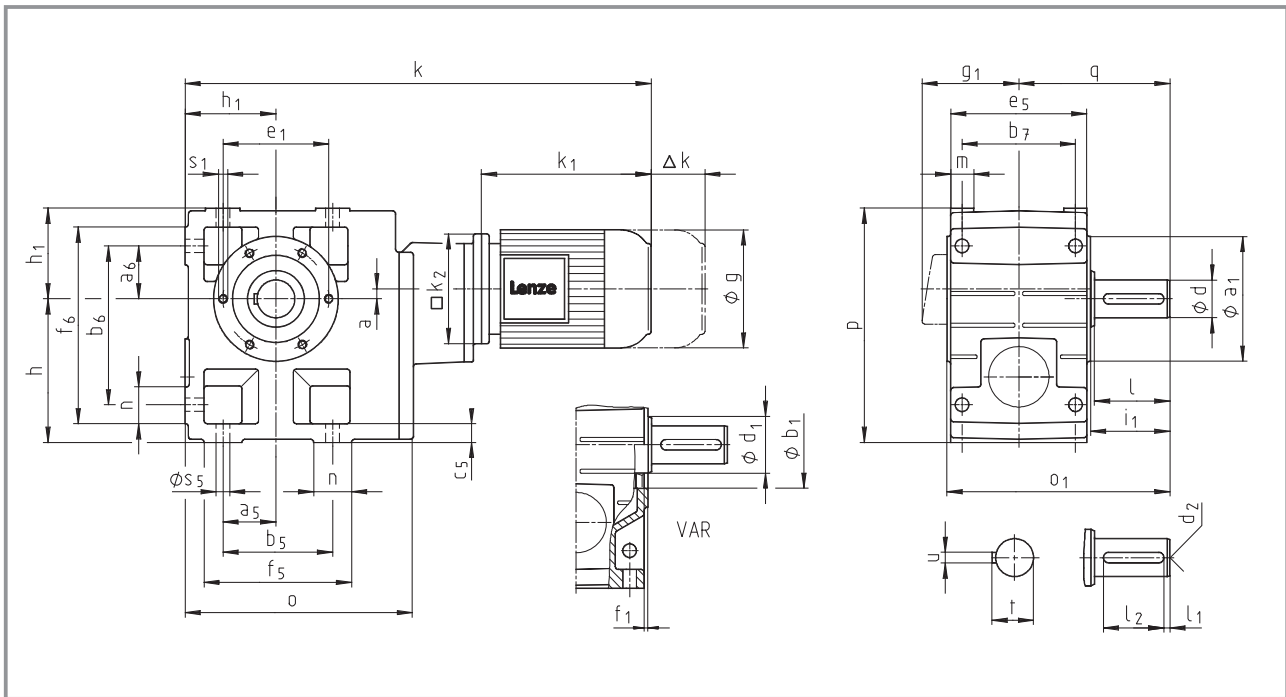
Geared motor <b>GSS□□-3M HAK</b>		Motor frame size																	
		063-12	063-32	071-12	071-32	080-12	080-32	090-12 090-32	100-12	100-32									
Motor	<b>g</b>	129		142		156		176		194									
	<b>g<sub>1</sub></b>	Without options								125		127		134		128		139	
	<b>k<sub>1</sub></b>	169	181	181	187	200	220	242	280	296									
	<b>k<sub>2</sub></b>	120		145		145		180		180									
Gearbox size	Gearbox								Overall length k										
	o	o <sub>1</sub> *	p*	h	h <sub>1</sub>	a	k <sub>8</sub>	q											
<b>05</b>	209	173	205	125	80	13	40	103	457	469	469	475	493	513					
<b>06</b>	252	201	250	150	100	10	49	121	514	526	526	532	550	570	602				
<b>07</b>	299	255	310	190	120	12	65	155	568	580	580	586	604	624	656	694	710		

Gearbox size	Hollow shaft						Output flange							
	d H7	l	d <sub>1</sub>	l <sub>1</sub>	u JS9	t +0.2	a <sub>2</sub>	b <sub>2</sub> j7	c <sub>2</sub>	e <sub>2</sub>	f <sub>2</sub>	i <sub>2</sub>	s <sub>2</sub>	
<b>05</b>	30 35	140	50	124	8 10	33.3 38.3	200	130	12	165	3.5	33	4 x 11	
<b>06</b>	40 45	160	65	140	12 14	43.3 48.8	200 250	130 180	12 15	165 215	3.5 4	42 41	4 x 11 4 x 14	
<b>07</b>	50 55	200	75	175	14 16	53.8 59.3	250 300	180 230	15 17	215 265	4	55	4 x 14	

Dimensions in [mm] \* Observe dimension k<sub>2</sub>.

# Helical-worm gearbox dimensions

Geared motors for Atex category 2G, 2D, 3G, 3D (zone 1, 21, 2, 22)



Geared motor				Motor frame size											
<b>GSS□□-3M VDR</b>				063-12	063-32	071-12	071-32	080-12	080-32	090-12	090-32	100-12	100-32		
Motor	<b>g</b>			129		142		156		176		194			
	<b>g<sub>1</sub></b> Without options			125		127		134		128		139			
	<b>k<sub>1</sub></b>			169	181	181	187	200	220	242	280	296			
	<b>k<sub>2</sub></b>			120		145		145		180		180			
Gearbox size	Gearbox							Overall length							
	o	o <sub>1</sub> *	p*	h	h <sub>1</sub>	a	q	k							
05	209	197	205	125	80	13	130	457	469	469	475	493	513		
06	252	236	250	150	100	10	160	514	526	526	532	550	570	602	
07	299	296	310	190	120	12	200	568	580	580	586	604	624	656	710

Gearbox size	Foot											
	a <sub>5</sub>	a <sub>6</sub>	b <sub>5</sub>	b <sub>6</sub>	b <sub>7</sub>	c <sub>5</sub>	e <sub>5</sub>	f <sub>5</sub>	f <sub>6</sub>	n	m	s <sub>5</sub>
05	47.5	47.5	95	140	105	17	127	124	169	29	21	11
06	60	60	120	170	120	20	145	156	206	36	23	14
07	70	70	140	210	150	25	180	185	255	45	28	18

Gearbox size	Solid shaft							Threaded pitch circle						
	d	l	d <sub>1</sub>	l <sub>1</sub>	l <sub>2</sub>	d <sub>2</sub>	u	t	a <sub>1</sub>	b <sub>1</sub> h7	e <sub>1</sub>	f <sub>1</sub>	i <sub>1</sub>	s <sub>1</sub> 6 x 60°
05	30	60	50	6	45	M10	8	33	118	80	100	4	64	M8x15
06	40	80	65	7	63	M16	12	43	140	100	120	4	85	M10x16
07	50	100	75	8	80	M16	14	53.5	165	115	140	5	105	M12x18

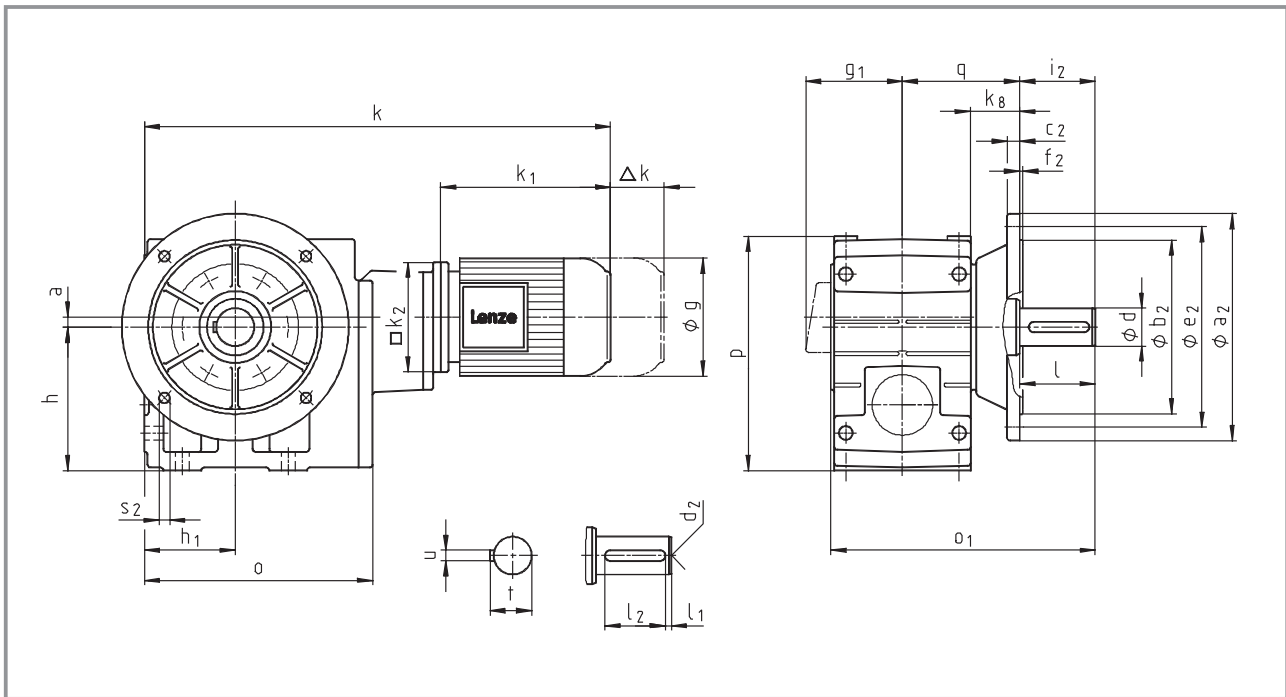
Dimensions in [mm] d ≤ 50 mm: k6  
d > 50 mm: m6

\* Observe dimension k<sub>2</sub>.



# Helical-worm gearbox dimensions

Geared motors for Atex category 2G, 2D, 3G, 3D (zone 1, 21, 2, 22)



Geared motor		Motor frame size																	
<b>GSS□□-3M VAK</b>		063-12	063-32	071-12	071-32	080-12	080-32	090-12 090-32	100-12	100-32									
Motor	<b>g</b>	129		142		156		176	194										
	<b>g<sub>1</sub></b>	125		127		134		128	139										
	<b>k<sub>1</sub></b>	169	181	181	187	200	220	242	280	296									
	<b>k<sub>2</sub></b>	120		145		145		180	180										
Gearbox size	Gearbox									Overall length									
	<b>o</b>	<b>o<sub>1</sub>*</b>	<b>p*</b>	<b>h</b>	<b>h<sub>1</sub></b>	<b>a</b>	<b>k<sub>8</sub></b>	<b>q</b>	<b>k</b>										
<b>05</b>	209	173	205	125	80	13	40	103	457	469	469	475	493	513					
<b>06</b>	252	201	250	150	100	10	49	121	514	526	526	532	550	570	602				
<b>07</b>	299	255	310	190	120	12	65	155	568	580	580	586	604	624	656	694	710		

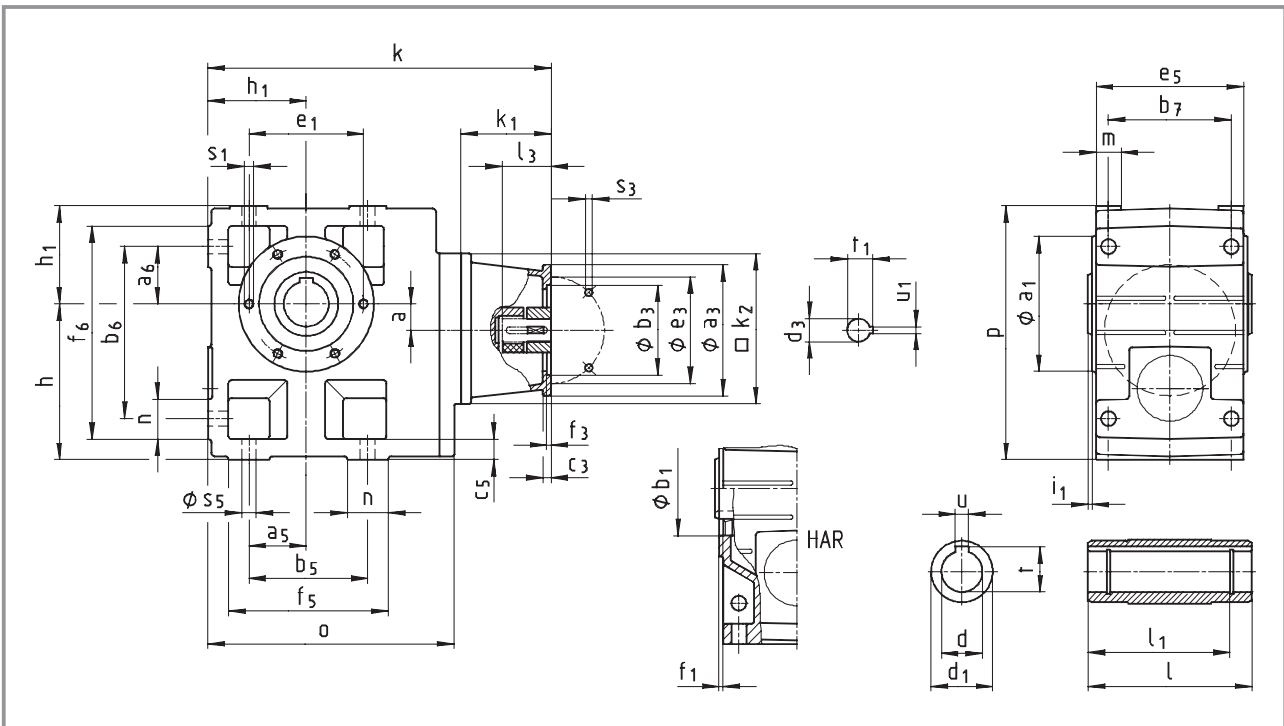
Gearbox-	size	d	l	Solid shaft				Output flange							
				<b>l<sub>1</sub></b>	<b>l<sub>2</sub></b>	<b>d<sub>2</sub></b>	<b>u</b>	<b>t</b>	<b>a<sub>2</sub> j7</b>	<b>b<sub>2</sub></b>	<b>c<sub>2</sub></b>	<b>e<sub>2</sub></b>	<b>f<sub>2</sub></b>	<b>i<sub>2s2</sub></b>	
<b>05</b>	30	60	6	45	M10	8	33	200	130	12	165	3.5	60	4 x 11	
<b>06</b>	40	80	7	63	M16	12	43	250	180	15	215	4	80	4 x 14	
<b>07</b>	50	100	8	80	M16	14	53.5	250 300	180 230	15 17	215 265	4	100	4 x 14	

Dimensions in [mm] d ≤ 50 mm: k6  
d > 50 mm: m6

\* Observe dimension k<sub>2</sub>.

# Helical-worm gearbox dimensions

Gearboxes with mounting flange for Atex category 2GD, 3GD (zone 1, 21, 2, 22)



Gearbox <b>GSS□□-2N HOR</b>		Drive size													
		1A	1B	2B	1C	2C	3C	4C	6C	7C	1D	2D			
		Corresponds to IEC motor													
		63	71	63	80	71	71	71	63	80	90	80			
Housing	k <sub>1</sub>	75	77	75	91						115				
	k <sub>2</sub>	120	145	120	145						180				
Flange	a <sub>3</sub>	90	105	90	160	160	105	120	160	120	160				
	b <sub>3</sub> H8	60	70	60	110	110	70	80	110	80	110				
	c <sub>3</sub>	7	8	7	10	10	8	8	10	8	10				
	e <sub>3</sub>	75	85	75	130	130	85	100	130	100	130				
	f <sub>3</sub>	3	3		4	4	3	3.5	4	3.5	4				
	s <sub>3</sub> 4 x	5.5	6.6	5.5	9	9	6.6	6.6	9	6.6	9				
Required motor shafts	d <sub>3</sub>	11	14	11	19	14	14	14	11	19	24	19			
	l <sub>3</sub>	min	23	30	23	25						23	25	50	40
		max.	23	30	23	40						40	40	50	50
	U <sub>1</sub>	4	5	4	6	5	5	5	4	6	8	6			
t <sub>1</sub>	12.5	16	12.5	21.5	16	16	16	12.5	21.5	27	21.5				
Gearbox size	Overall length k														
04	265	272	265	286						320					
05		294		308						342					
06		334		348						382					
07				391						425					

# Helical-worm gearbox dimensions

Gearboxes with mounting flange for Atex category 2GD, 3GD (zone 1, 21, 2, 22)

Gearbox <b>GSS□□-2N HOR</b>		Drive size												
		1E	2E	3E	4E	1F	2F	3F	1G	2G	3G	1H	3H	
		Corresponds to IEC motor												
		100 112	90	80	90	100 112	90	90	132	100 112	132	160	132	
Housing	$k_1$	110			130	139		159	180	160	180	214	184	
	$k_2$	180			180	180		180	265			300		
Flange	$a_3$	160			188	160		188	300	250	250	350	300	
	$b_3$ H8	110			130	110		130	230	180	180	250	230	
	$c_3$	10			20	10		20	18	18	35	20	18	
	$e_3$	130			165	130		165	265	215	215	300	265	
	$f_3$	4			4	4		4	4.5			6	4.5	
	$s_3$ 4 x	9			M10	9		M10	13.5			17.5	13.5	
Required motor shafts	$d_3$	28	24	19	24	28	24	24	38	28	38	42	38	
	$l_3$	min			30	50		30	50	80	60	80	110	80
		max.			60	50		60	80	60	80	80	110	80
	$U_1$	8	8	6	8	8	8	8	10	8	10	12	10	
	$t_1$	31	27	21.5	27	31	27	27	41	31	41	45	41	
Gearbox size	Overall length $k$													
05	337			357										
06	377			397	406		426							
07	420			440	449		469	504	484	504	542	512		

Gearbox size	$o$	$l^*$	$p^*$	$h^*$	$h_1$	$a$
04	181	115	171	100	71	20
05	212	140	205	125	80	23
06	255	160	250	150	100	26
07	305	200	310	190	120	33

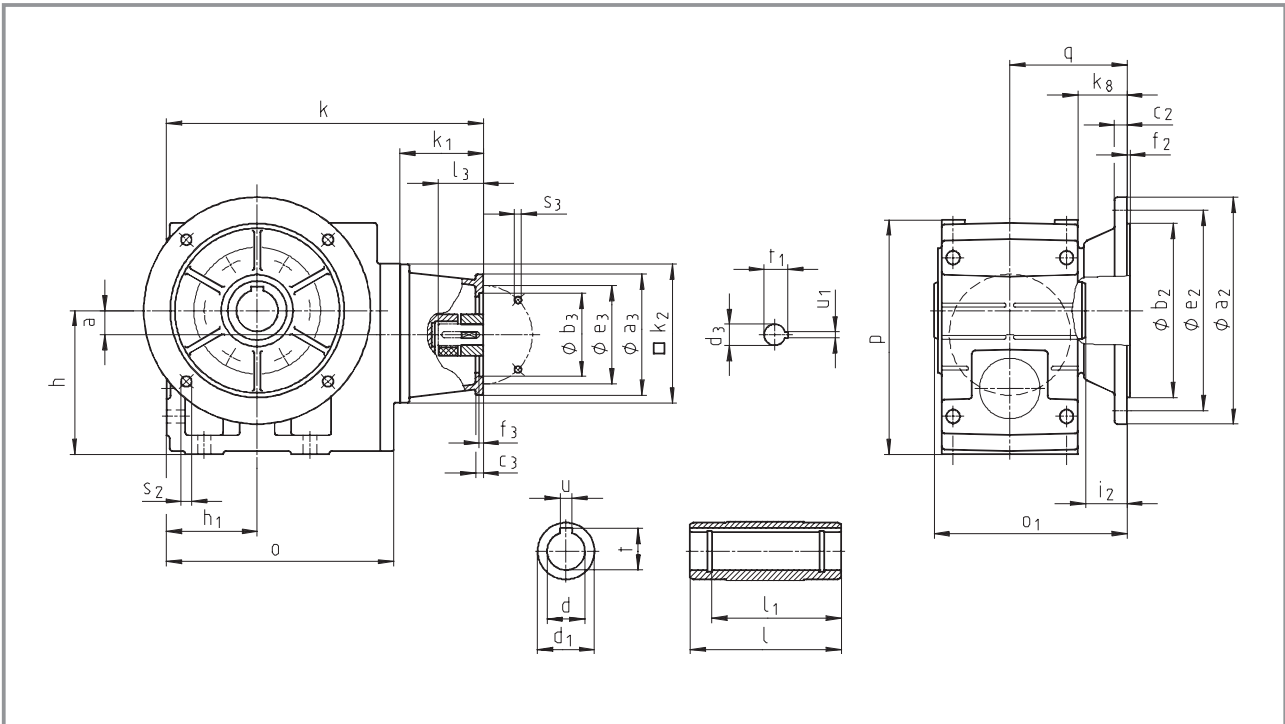
Gearbox size	Foot											
	$a_5$	$a_6$	$b_5$	$b_6$	$b_7$	$c_5$	$e_5$	$f_5$	$f_6$	$n$	$m$	$s_5$
04	45	45	90	119	85	14	100	112	141	22	20	9
05	47.5	47.5	95	140	105	17	127	124	169	29	21	11
06	60	60	120	170	120	20	145	156	206	36	23	14
07	70	70	140	210	150	25	180	185	255	45	28	18

Gearbox size	Hollow shaft						Threaded pitch circle					
	$d$ H7	$l$	$d_1$	$l_1$	$u$ J59	$t$ +0.2	$a_1$	$b_1$ H7	$e_1$	$f_1$	$i_1$	$s_1$ 6 x 60°
04	25 30	115	45	100	8 8	28.3 33.3	105	75	90	3	2.5	M6x12
05	30 35	140	50	124	8 10	33.3 38.3	118	80	100	4	4	M8x15
06	40 45	160	65	140	12 14	43.3 48.8	140	100	120	4	5	M10x16
07	50 55	200	75	175	14 16	53.8 59.3	165	115	140	5	5	M12x18

Dimensions in [mm] \* Observe dimension  $k_2$ ; with gearbox size 04 and drive size 1D/2D, dimension  $k_2/2 > h-a$ .

# Helical-worm gearbox dimensions

Gearboxes with mounting flange for Atex category 2GD, 3GD (zone 1, 21, 2, 22)



Gearbox <b>GSS□□-2N HAK</b>		Drive size										
		1A	1B	2B	1C	2C	3C	4C	6C	7C	1D	2D
		Corresponds to IEC motor										
		63	71	63	80	71	71	71	63	80	90	80
Housing	k <sub>1</sub>	75	77	75	91						115	
	k <sub>2</sub>	120	145	120	145						180	
Flange	a <sub>3</sub>	90	105	90	160	160	105	120	160	120	160	
	b <sub>3</sub> H8	60	70	60	110	110	70	80	110	80	110	
	c <sub>3</sub>	7	8	7	10	10	8	8	10	8	10	
	e <sub>3</sub>	75	85	75	130	130	85	100	130	100	130	
	f <sub>3</sub>	3	3		4	4	3	3.5	4	3.5	4	
	s <sub>3</sub> 4 x	5.5	6.6	5.5	9	9	6.6	6.6	9	6.6	9	
Required motor shafts	d <sub>3</sub>	11	14	11	19	14	14	14	11	19	24	19
	l <sub>3</sub>	min	23	30	23	25			23	25	50	40
		max.	23	30	23	40			40	40	50	50
	U <sub>1</sub>	4	5	4	6	5	5	5	4	6	8	6
t <sub>1</sub>	12.5	16	12.5	21.5	16	16	16	12.5	21.5	27	21.5	
Gearbox size	Overall length k											
	04	265	272	265	286						320	
	05		294		308						342	
	06		334		348						382	
	07				391						425	

# Helical-worm gearbox dimensions

Gearboxes with mounting flange for Atex category 2GD, 3GD (zone 1, 21, 2, 22)

Gearbox <b>GSS□□-2N HAK</b>		Drive size												
		1E	2E	3E	4E	1F	2F	3F	1G	2G	3G	1H	3H	
		Corresponds to IEC motor												
		100 112	90	80	90	100 112	90	90	132	100 112	132	160	132	
Housing	$k_1$	110			130	139		159	180	160	180	214	184	
	$k_2$	180			180	180		180	265			300		
Flange	$a_3$	160			188	160		188	300	250	250	350	300	
	$b_3$ H8	110			130	110		130	230	180	180	250	230	
	$c_3$	10			20	10		20	18	18	35	20	18	
	$e_3$	130			165	130		165	265	215	215	300	265	
	$f_3$	4			4	4		4	4.5			6	4.5	
	$s_3$ 4 x	9			M10	9		M10	13.5			17.5	13.5	
Required motor shafts	$d_3$	28	24	19	24	28	24	24	38	28	38	42	38	
	$l_3$	min			30	50		30	50	80	60	80	110	80
		max.			60	50		60	50	80	60	80	110	80
	$U_1$	8	8	6	8	8	8	8	10	8	10	12	10	
	$t_1$	31	27	21.5	27	31	27	27	41	31	41	45	41	
Gearbox size	Overall length $k$													
05	337			357										
06	377			397	406		426							
07	420			440	449		469	504	484	504	542	512		

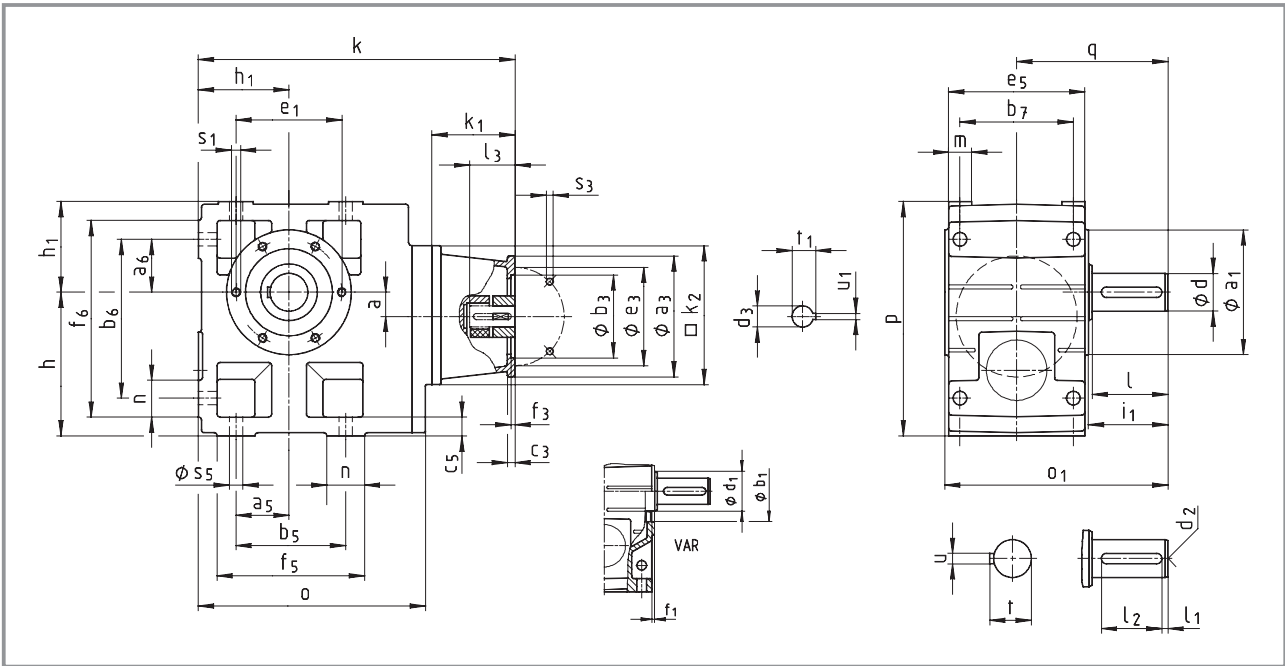
Gearbox size	Gearbox								
	$o$	$o_1^*$	$p^*$	$h^*$	$h_1$	$a$	$k_8$	$q$	
04	181	148	171	100	71	20	38	90.5	
05	212	173	205	125	80	23	40	103	
06	255	201	250	150	100	26	49	121	
07	305	255	310	190	120	33	65	155	

Gearbox size	Hollow shaft						Output flange						
	$d$ H7	$l$	$d_1$	$l_1$	$u$ JS9	$t$ +0.2	$a_2$	$b_2$ j7	$c_2$	$e_2$	$f_2$	$i_2$	$s_2$
04	25 30	115	45	100	8 8	28.3 33.3	160	110	10	130	3.5	33	4 x 9
05	30 35	140	50	124	8 10	33.3 38.3	200	130	12	165	3.5	33	4 x 11
06	40 45	160	65	140	12 14	43.3 48.8	200 250	130 180	12 15	165 215	3.5 4	42 41	4 x 11 4 x 14
07	50 55	200	75	175	14 16	53.8 59.3	250 300	180 230	15 17	215 265	4	55	4 x 14

Dimensions in [mm] \* Observe dimension  $k_2$ ; with gearbox size 04 and drive size 1D/2D, dimension  $k_2/2 > h-a$ .

# Helical-worm gearbox dimensions

Gearboxes with mounting flange for Atex category 2GD, 3GD (zone 1, 21, 2, 22)



Gearbox <b>GSS□□-2N VDR</b>		Drive size										
		1A	1B	2B	1C	2C	3C	4C	6C	7C	1D	2D
		Corresponds to IEC motor										
		63	71	63	80	71	71	71	63	80	90	80
Housing	$k_1$	75	77	75	91						115	
	$k_2$	120	145	120	145						180	
Flange	$a_3$	90	105	90	160	160	105	120	160	120	160	
	$b_3$ H8	60	70	60	110	110	70	80	110	80	110	
	$c_3$	7	8	7	10	10	8	8	10	8	10	
	$e_3$	75	85	75	130	130	85	100	130	100	130	
	$f_3$	3	3	3	4	4	3	3.5	4	3.5	4	
	$s_3$ 4 x	5.5	6.6	5.5	9	9	6.6	6.6	9	6.6	9	
Required motor shafts	$d_3$	11	14	11	19	14	14	14	11	19	24	19
	$l_3$ min	23	30	23	25				23	25	50	40
	$l_3$ max.	23	30	23	40				40	40	50	50
	$U_1$	4	5	4	6	5	5	5	4	6	8	6
	$t_1$	12.5	16	12.5	21.5	16	16	16	12.5	21.5	27	21.5
Gearbox size		Overall length $k$										
04		265	272	265	286						320	
05			294		308						342	
06			334		348						382	
07					391						425	

# Helical-worm gearbox dimensions

Gearboxes with mounting flange for Atex category 2GD, 3GD (zone 1, 21, 2, 22)

Gearbox <b>GSS□□-2N VDR</b>		Drive size												
		1E	2E	3E	4E	1F	2F	3F	1G	2G	3G	1H	3H	
		Corresponds to IEC motor												
		100 112	90	80	90	100 112	90	90	132	100 112	132	160	132	
Housing	k <sub>1</sub>	110			130	139		159	180	160	180	214	184	
	k <sub>2</sub>	180			180	180		180	265			300		
Flange	a <sub>3</sub>	160			188	160		188	300	250	250	350	300	
	b <sub>3</sub> H8	110			130	110		130	230	180	180	250	230	
	c <sub>3</sub>	10			20	10		20	18	18	35	20	18	
	e <sub>3</sub>	130			165	130		165	265	215	215	300	265	
	f <sub>3</sub>	4			4	4		4	4.5			6	4.5	
	s <sub>3</sub> 4 x	9			M10	9		M10	13.5			17.5	13.5	
	Required motor shafts	d <sub>3</sub>	28	24	19	24	28	24	24	38	28	38	42	38
l <sub>3</sub>		min			30	50		30	50	80	60	80	110	80
		max.			60	50		60	50	80	60	80	110	80
U <sub>1</sub>		8	8	6	8	8	8	8	10	8	10	12	10	
t <sub>1</sub>		31	27	21.5	27	31	27	27	41	31	41	45	41	
Gearbox size	Overall length k													
05	337			357										
06	377			397	406		426							
07	420			440	449		469	504	484	504	542	512		

Gearbox size	o	o <sub>1</sub> *	p*	h*	h <sub>1</sub>	a	q
04	181	163	171	100	71	20	107.5
05	212	197	205	125	80	23	130
06	255	236	250	150	100	26	160
07	305	296	310	190	120	33	200

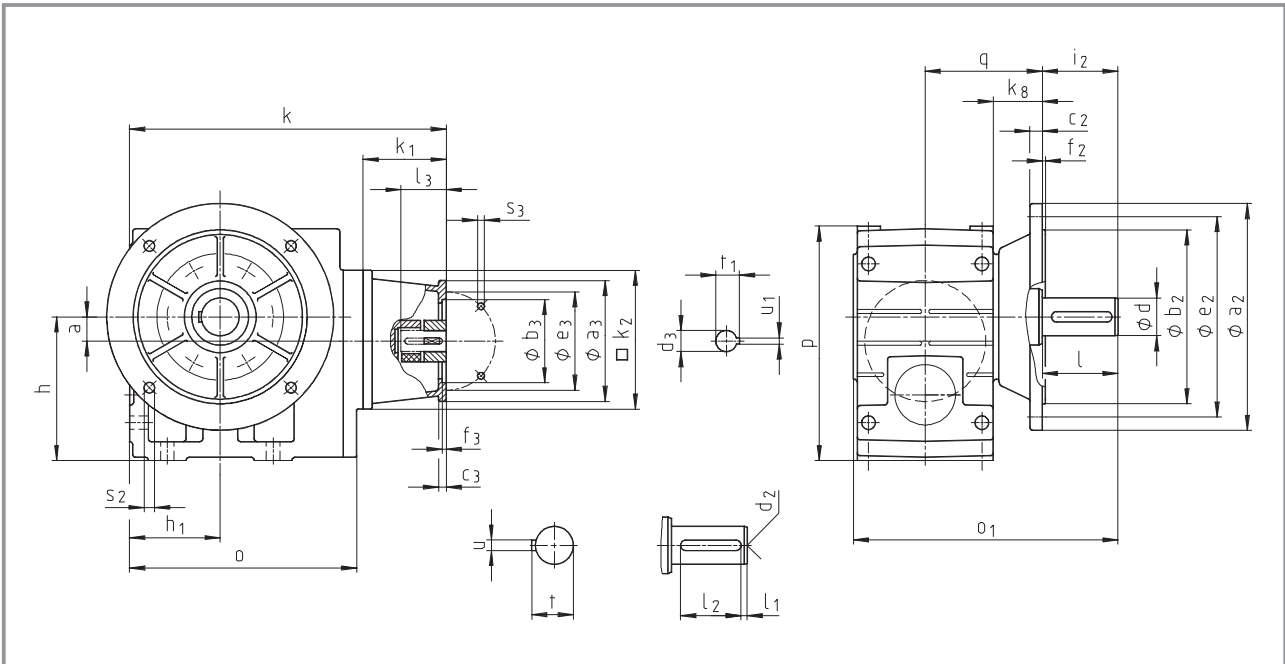
Gearbox size	Foot											
	a <sub>5</sub>	a <sub>6</sub>	b <sub>5</sub>	b <sub>6</sub>	b <sub>7</sub>	c <sub>5</sub>	e <sub>5</sub>	f <sub>5</sub>	f <sub>6</sub>	n	m	s <sub>5</sub>
04	45	45	90	119	85	14	100	112	141	22	20	9
05	47.5	47.5	95	140	105	17	127	124	169	29	21	11
06	60	60	120	170	120	20	145	156	206	36	23	14
07	70	70	140	210	150	25	180	185	255	45	28	18

Gearbox size	Solid shaft								Threaded pitch circle					
	d k6	l	d <sub>1</sub>	l <sub>1</sub>	l <sub>2</sub>	d <sub>2</sub>	u	t	a <sub>1</sub>	b <sub>1</sub> H7	e <sub>1</sub>	f <sub>1</sub>	i <sub>1</sub>	s <sub>1</sub> 6 x 60°
04	25	50	45	4	40	M10	8	28	105	75	90	3	52.5	M6x12
05	30	60	50	6	45	M10	8	33	118	80	100	4	64	M8x15
06	40	80	65	7	63	M16	12	43	140	100	120	4	85	M10x16
07	50	100	75	8	80	M16	14	53.5	165	115	140	5	105	M12x18

Dimensions in [mm] \* Observe dimension k<sub>2</sub>; with gearbox size 04 and drive size 1D/2D, dimension k<sub>2</sub>/2 > h-a.

# Helical-worm gearbox dimensions

Gearboxes with mounting flange for Atex category 2GD, 3GD (zone 1, 21, 2, 22)



Gearbox <b>GSS□□-2N VAK</b>		Drive size										
		1A	1B	2B	1C	2C	3C	4C	6C	7C	1D	2D
		Corresponds to IEC motor										
		63	71	63	80	71	71	71	63	80	90	80
Housing	$k_1$	75	77	75	91						115	
	$k_2$	120	145	120	145						180	
Flange	$a_3$	90	105	90	160	160	105	120	160	120	160	
	$b_3$ H8	60	70	60	110	110	70	80	110	80	110	
	$c_3$	7	8	7	10	10	8	8	10	8	10	
	$e_3$	75	85	75	130	130	85	100	130	100	130	
	$f_3$	3	3	3	4	4	3	3.5	4	3.5	4	
	$s_3$ 4 x	5.5	6.6	5.5	9	9	6.6	6.6	9	6.6	9	
Required motor shafts	$d_3$	11	14	11	19	14	14	14	11	19	24	19
	$l_3$ min.	23	30	23	25				23	25	50	40
	$l_3$ max.	23	30	23	40				40	40	50	50
	$U_1$	4	5	4	6	5	5	5	4	6	8	6
	$t_1$	12.5	16	12.5	21.5	16	16	16	12.5	21.5	27	21.5
Gearbox size		Overall length $k$										
04		265	272	265	286				320			
05			294		308				342			
06			334		348				382			
07					391				425			



# Helical-worm gearbox dimensions

Gearboxes with mounting flange for Atex category 2GD, 3GD (zone 1, 21, 2, 22)

Gearbox <b>GSS□□-2N VAK</b>		Drive size													
		1E	2E	3E	4E	1F	2F	3F	1G	2G	3G	1H	3H		
		Corresponds to IEC motor													
		100 112	90	80	90	100 112	90	90	132	100 112	132	160	132		
Housing	k <sub>1</sub>	110			130	139		159	180	160	180	214	184		
	k <sub>2</sub>	180			180	180		180	265			300			
Flange	a <sub>3</sub>	160			188	160		188	300	250	250	350	300		
	b <sub>3</sub> H8	110			130	110		130	230	180	180	250	230		
	c <sub>3</sub>	10			20	10		20	18	18	35	20	18		
	e <sub>3</sub>	130			165	130		165	265	215	215	300	265		
	f <sub>3</sub>	4			4	4		4	4.5			6	4.5		
	s <sub>3</sub> 4 x	9			M10	9		M10	13.5			17.5	13.5		
	Required motor shafts	d <sub>3</sub>	28	24	19	24	28	24	24	38	28	38	42	38	
l <sub>3</sub>		min			30		50	30		50	80	60	80	110	80
		max.			60		50	60		50	80	60	80	110	80
U <sub>1</sub>		8	8	6	8	8	8	8	10	8	10	12	10		
t <sub>1</sub>		31	27	21.5	27	31	27	27	41	31	41	45	41		
Gearbox size		Overall length k													
05		337			357										
06		377			397	406		426							
07		420			440	449		469	504	484	504	542	512		

Gearbox size	Gearbox								
	o	o <sub>1</sub> *	p*	h*	h <sub>1</sub>	a	k <sub>8</sub>	q	
04	181	196	171	100	71	20	38	90.5	
05	212	230	205	125	80	23	40	103	
06	255	277	250	150	100	26	49	121	
07	305	351	310	190	120	33	65	155	

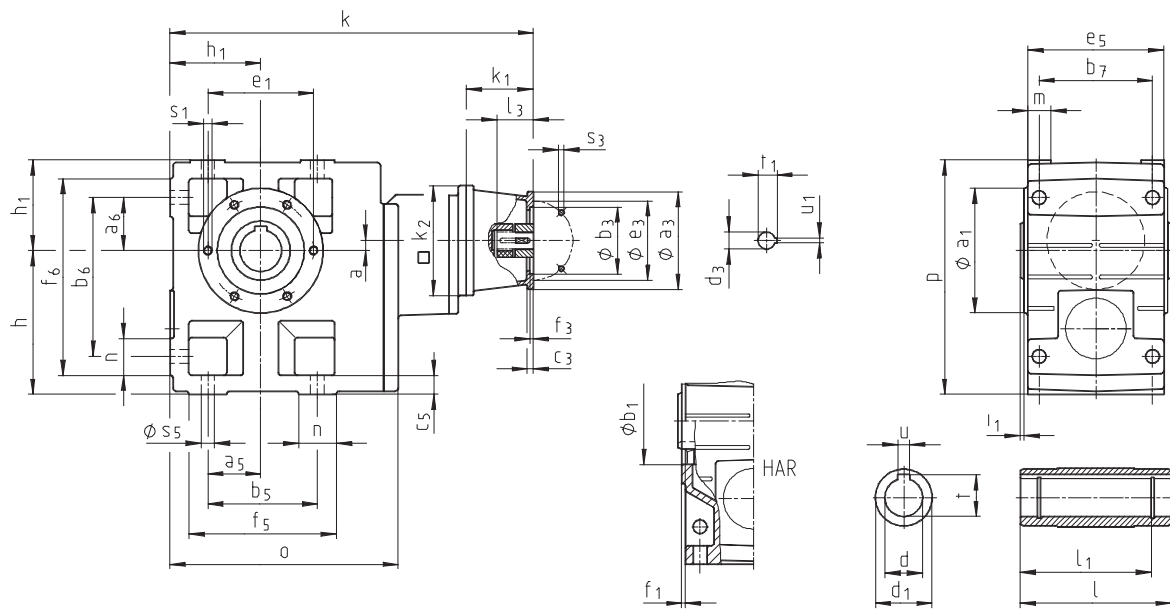
Gearbox-size	Solid shaft							Output flange						
	d k6	l	l <sub>1</sub>	l <sub>2</sub>	d <sub>2</sub>	u	t	a <sub>2</sub>	b <sub>2</sub> j7	c <sub>2</sub>	e <sub>2</sub>	f <sub>2</sub>	i <sub>2</sub>	s <sub>2</sub>
04	25	50	4	40	M10	8	28	160	110	10	130	3.5	50	4 x 9
05	30	60	6	45	M10	8	33	200	130	12	165	3.5	60	4 x 11
06	40	80	7	63	M16	12	43	250	180	15	215	4	80	4 x 14
07	50	100	8	80	M16	14	53.5	250 300	180 230	15 17	215 265	4	100	4 x 14

Dimensions in [mm] \* Observe dimension k<sub>2</sub> with gearbox size 04 and drive size 1D/2D, dimension k<sub>2</sub>/2 > h-a.

# Helical-worm gearbox dimensions

Gearboxes with mounting flange for Atex category 2GD, 3GD (zone 1, 21, 2, 22)

## GSS□□-3N HOR



# Helical-worm gearbox dimensions

Gearboxes with mounting flange for Atex category 2GD, 3GD (zone 1, 21, 2, 22)

Gearbox <b>GSS□□-3N HOR</b>		Drive size														
		1A	1B	2B	1C	2C	3C	4C	6C	7C	1D	2D	1E	2E	3E	4E
		Corresponds to IEC motor														
		63	71	63	80	71	71	71	63	80	90	80	100 112	90	80	90
Housing	k <sub>1</sub>	75	77	75	91						115		110			130
	k <sub>2</sub>	120	145	120	145						180		180			180
Flange	a <sub>3</sub>	90	105	90	160	160	105	120	160	120	160		160		188	
	b <sub>3</sub> H8	60	70	60	110	110	70	80	110	80	110		110		130	
	c <sub>3</sub>	7	8	7	10	10	8	8	10	8	10		10		20	
	e <sub>3</sub>	75	85	75	130	130	85	100	130	100	130		130		165	
	f <sub>3</sub>	3	3		4	4	3	3.5	4	3.5	4		4		4	
	s <sub>3</sub> 4 x	5.5	6.6	5.5	9	9	6.6	6.6	9	6.6	9		9		M10	
Required motor shafts	d <sub>3</sub>	11	14	11	19	14	14	14	11	19	24	19	28	24	19	24
	l <sub>3</sub>	min	23	30	23	25				23	25	50	40	30		50
		max.	23	30	23	40				40	40	50	50	60		50
	U <sub>1</sub>	4	5	4	6	5	5	5	4	6	8	6	8	8	6	8
t <sub>1</sub>	12.5	16	12.5	21.5	16	16	16	12.5	21.5	27	21.5	31	27	21.5	27	
Gearbox size	Overall length k															
	05	363	370	363	384											
	06	420	427	420	441						475					
	07		481		495						529		524		544	

Gearbox size	o	l*	p*	h	h <sub>1</sub>	a
05	209	140	205	125	80	13
06	252	160	250	150	100	10
07	299	200	310	190	120	12

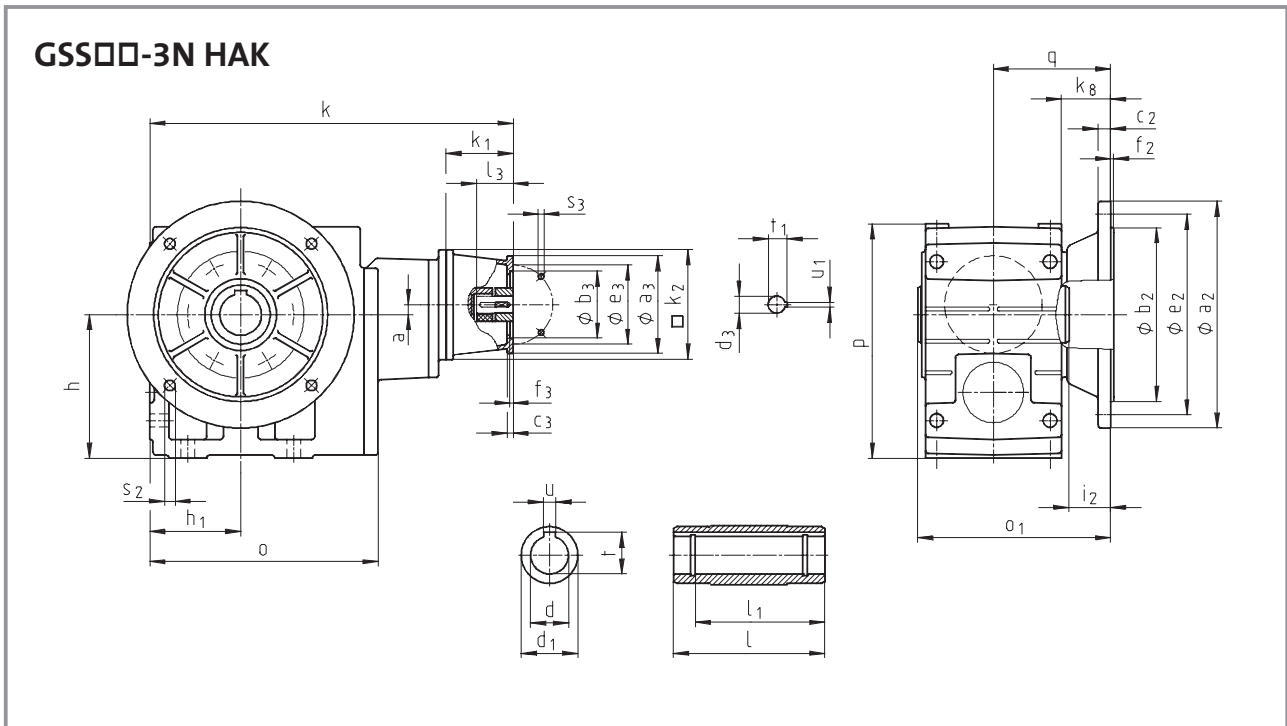
Gearbox size	Foot											
	a <sub>5</sub>	a <sub>6</sub>	b <sub>5</sub>	b <sub>6</sub>	b <sub>7</sub>	c <sub>5</sub>	e <sub>5</sub>	f <sub>5</sub>	f <sub>6</sub>	n	m	s <sub>5</sub>
05	47.5	47.5	95	140	105	17	127	124	169	29	21	11
06	60	60	120	170	120	20	145	156	206	36	23	14
07	70	70	140	210	150	25	180	185	255	45	28	18

Gearbox size	Hollow shaft						Threaded pitch circle					
	d H7	l	d <sub>1</sub>	l <sub>1</sub>	u JS9	t +0.2	a <sub>1</sub>	b <sub>1</sub> H7	e <sub>1</sub>	f <sub>1</sub>	i <sub>1</sub>	s <sub>1</sub> 6 x 60°
05	30 35	140	50	124	8 10	33.3 38.3	118	80	100	4	4	M8x15
06	40 45	160	65	140	12 14	43.3 48.8	140	100	120	4	5	M10x16
07	50 55	200	75	175	14 16	53.8 59.3	165	115	140	5	5	M12x18

Dimensions in [mm] \* Observe dimension k<sub>2</sub>.

# Helical-worm gearbox dimensions

Gearboxes with mounting flange for Atex category 2GD, 3GD (zone 1, 21, 2, 22)



# Helical-worm gearbox dimensions

Gearboxes with mounting flange for Atex category 2GD, 3GD (zone 1, 21, 2, 22)

Gearbox <b>GSS□□-3N HAK</b>		Drive size														
		1A	1B	2B	1C	2C	3C	4C	6C	7C	1D	2D	1E	2E	3E	4E
		Corresponds to IEC motor														
		63	71	63	80	71	71	71	63	80	90	80	100 112	90	80	90
Housing	$k_1$	75	77	75	91						115		110			130
	$k_2$	120	145	120	145						180		180			180
Flange	$a_3$	90	105	90	160	160	105	120	160	120	160		160			188
	$b_3$ H8	60	70	60	110	110	70	80	110	80	110		110			130
	$c_3$	7	8	7	10	10	8	8	10	8	10		10			20
	$e_3$	75	85	75	130	130	85	100	130	100	130		130			165
	$f_3$	3	3		4	4	3	3.5	4	3.5	4		4			4
	$s_3$ 4 x	5.5	6.6	5.5	9	9	6.6	6.6	9	6.6	9		9			M10
Required motor shafts	$d_3$	11	14	11	19	14	14	14	11	19	24	19	28	24	19	24
	$l_3$ min	23	30	23	25				23	25	50	40	30			50
	$l_3$ max.	23	30	23	40				40	40	50	50	60			50
	$U_1$	4	5	4	6	5	5	5	4	6	8	6	8	8	6	8
$t_1$	12.5	16	12.5	21.5	16	16	16	12.5	21.5	27	21.5	31	27	21.5	27	
Gearbox size		Overall length k														
05		363	370	363	384											
06		420	427	420	441						475					
07			481		495						529		524			544

Gearbox size	Gearbox							
	o	$o_1^*$	$p^*$	h	$h_1$	a	$k_8$	q
05	209	173	205	125	80	13	40	103
06	252	201	250	150	100	10	49	121
07	299	255	310	190	120	12	65	155

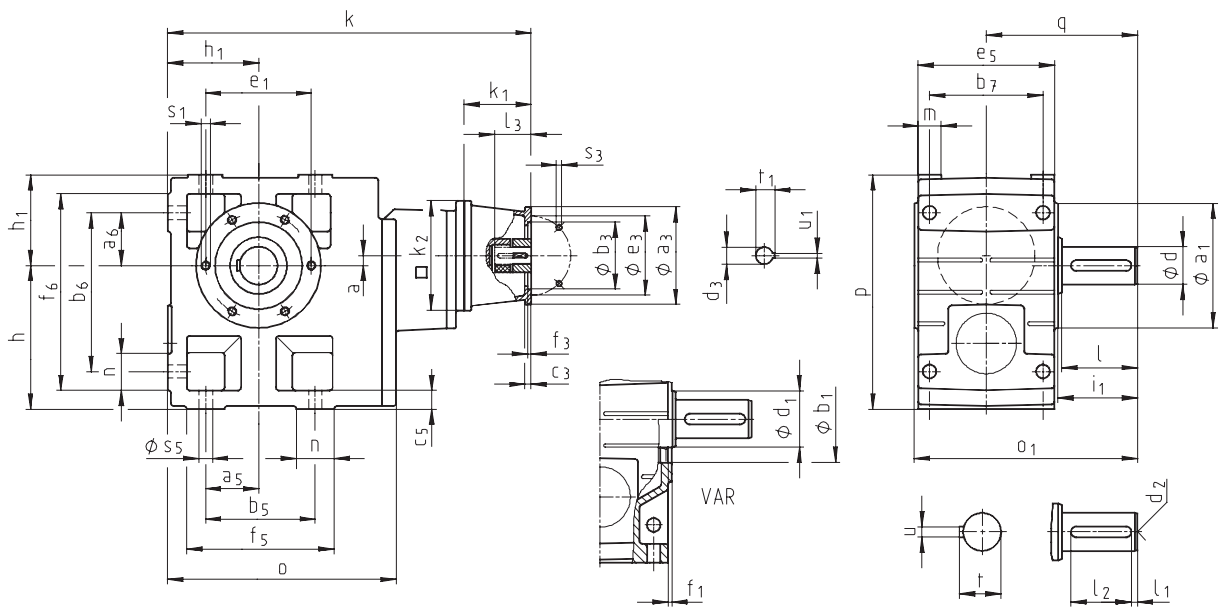
Gearbox	Hollow shaft						Output flange						
	size H7	d	l	$d_1$	$l_1$ JS9	u +0.2	t	$a_2$ j7	$b_2$	$c_2$	$e_2$	$f_2$	$i_2 s_2$
05	30	140	50	124	8	33.3	200	130	12	165	3.5	33	4 x 11
	35												
06	40	160	65	140	12	43.3	200	130	12	165	3.5	42	4 x 11
	45												
07	50	200	75	175	14	53.8	250	180	15	215	4	55	4 x 14
	55												

Dimensions in [mm] \* Observe dimension  $k_2$ .

# Helical-worm gearbox dimensions

Gearboxes with mounting flange for Atex category 2GD, 3GD (zone 1, 21, 2, 22)

## GSS□□-3N VOR



# Helical-worm gearbox dimensions

Gearboxes with mounting flange for Atex category 2GD, 3GD (zone 1, 21, 2, 22)

Gearbox <b>GSS□□-3N VDR</b>		Drive size														
		1A	1B	2B	1C	2C	3C	4C	6C	7C	1D	2D	1E	2E	3E	4E
		Corresponds to IEC motor														
		63	71	63	80	71	71	71	63	80	90	80	100 112	90	80	90
Housing	k <sub>1</sub>	75	77	75	91						115		110			130
	k <sub>2</sub>	120	145	120	145						180		180			180
Flange	a <sub>3</sub>	90	105	90	160	160	105	120	160	120	160		160		188	
	b <sub>3</sub> H8	60	70	60	110	110	70	80	110	80	110		110		130	
	c <sub>3</sub>	7	8	7	10	10	8	8	10	8	10		10		20	
	e <sub>3</sub>	75	85	75	130	130	85	100	130	100	130		130		165	
	f <sub>3</sub>	3	3		4	4	3	3.5	4	3.5	4		4		4	
	s <sub>3</sub> 4 x	5.5	6.6	5.5	9	9	6.6	6.6	9	6.6	9		9		M10	
Required motor shafts	d <sub>3</sub>	11	14	11	19	14	14	14	11	19	24	19	28	24	19	24
	l <sub>3</sub>	min	23	30	23	25				23	25	50	40	30		50
		max.	23	30	23	40				40	40	50	50	60		50
	U <sub>1</sub>	4	5	4	6	5	5	5	4	6	8	6	8	8	6	8
t <sub>1</sub>	12.5	16	12.5	21.5	16	16	16	12.5	21.5	27	21.5	31	27	21.5	27	
Gearbox size	Overall length k															
	05	363	370	363	384											
	06	420	427	420	441						475					
	07		481		495						529		524		544	

Gearbox size	Gearbox						
	o	o <sub>1</sub> *	p*	h	h <sub>1</sub>	a	q
05	209	197	205	125	80	13	130
06	252	236	250	150	100	10	160
07	299	296	310	190	120	12	200

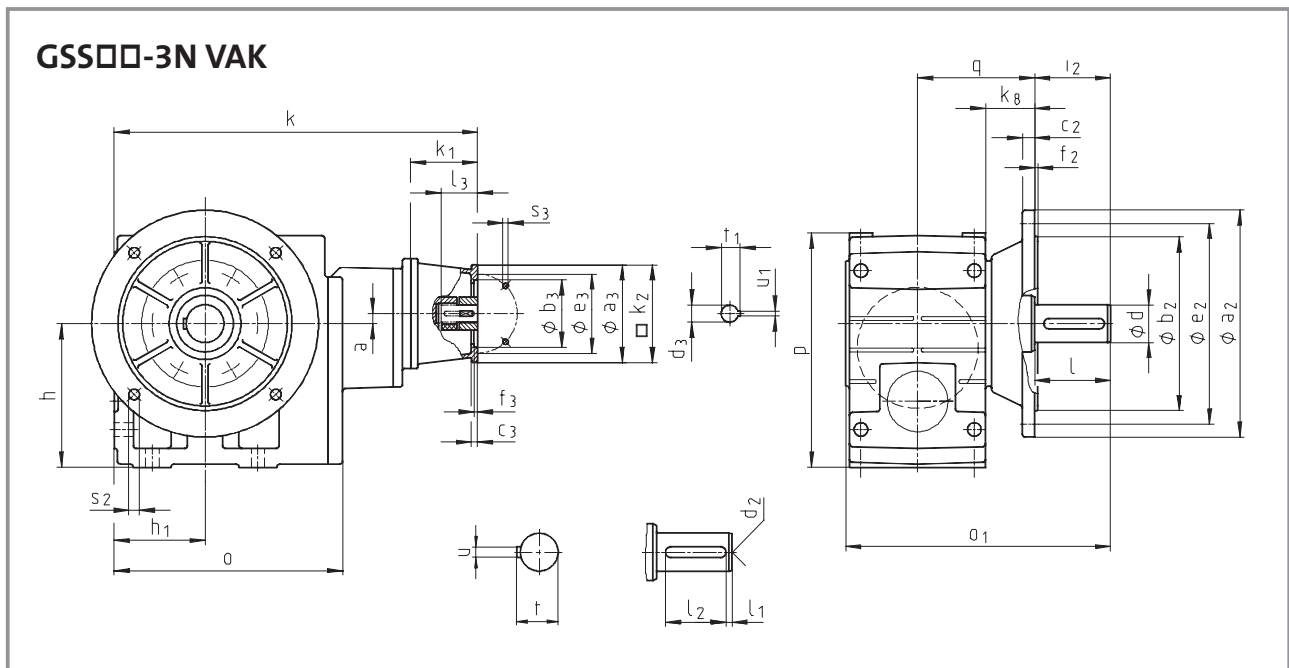
Gearbox size	Foot											
	a <sub>5</sub>	a <sub>6</sub>	b <sub>5</sub>	b <sub>6</sub>	b <sub>7</sub>	c <sub>5</sub>	e <sub>5</sub>	f <sub>5</sub>	f <sub>6</sub>	n	m	s <sub>5</sub>
05	47.5	47.5	95	140	105	17	127	124	169	29	21	11
06	60	60	120	170	120	20	145	156	206	36	23	14
07	70	70	140	210	150	25	180	185	255	45	28	18

Gearbox size	Solid shaft								Threaded pitch circle					
	d k6	l	d <sub>1</sub>	l <sub>1</sub>	l <sub>2</sub>	d <sub>2</sub>	u	t	a <sub>1</sub>	b <sub>1</sub> H7	e <sub>1</sub>	f <sub>1</sub>	i <sub>1</sub>	s <sub>1</sub> 6 x 60°
05	30	60	50	6	45	M10	8	33	118	80	100	4	64	M8x15
06	40	80	65	7	63	M16	12	43	140	100	120	4	85	M10x16
07	50	100	75	8	80	M16	14	53.5	165	115	140	5	105	M12x18

Dimensions in [mm] \* Observe dimension k<sub>2</sub>.

# Helical-worm gearbox dimensions

Gearboxes with mounting flange for Atex category 2GD, 3GD (zone 1, 21, 2, 22)





# Helical-worm gearbox dimensions

Gearboxes with mounting flange for Atex category 2GD, 3GD (zone 1, 21, 2, 22)

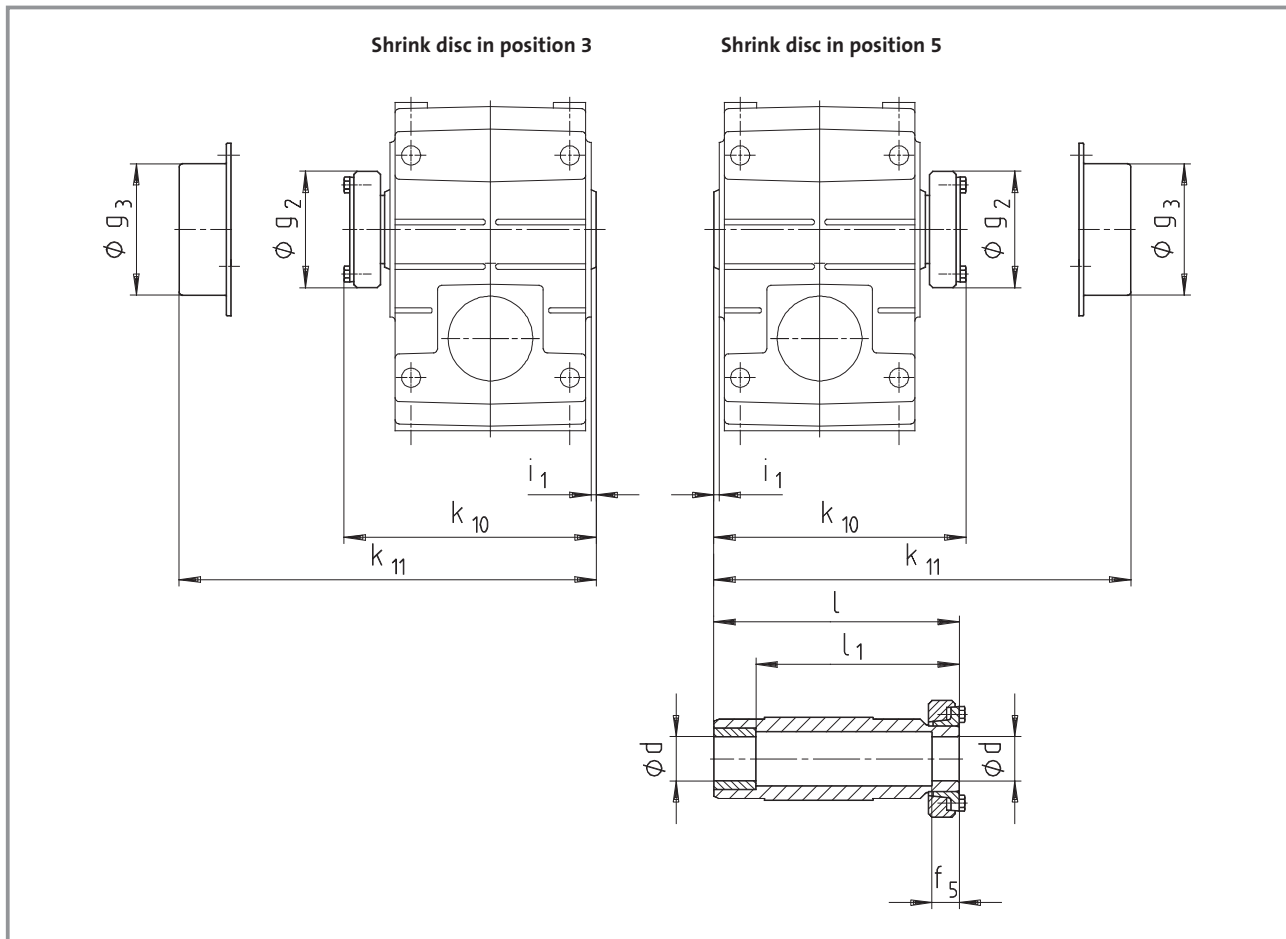
Gearbox <b>GSS□□-3N VAK</b>		Drive size														
		1A	1B	2B	1C	2C	3C	4C	6C	7C	1D	2D	1E	2E	3E	4E
		Corresponds to IEC motor														
		63	71	63	80	71	71	71	63	80	90	80	100 112	90	80	90
Housing	$k_1$	75	77	75	91						115		110			130
	$k_2$	120	145	120	145						180		180			180
Flange	$a_3$	90	105	90	160	160	105	120	160	120	160		160			188
	$b_3$ H8	60	70	60	110	110	70	80	110	80	110		110			130
	$c_3$	7	8	7	10	10	8	8	10	8	10		10			20
	$e_3$	75	85	75	130	130	85	100	130	100	130		130			165
	$f_3$	3	3		4	4	3	3.5	4	3.5	4		4			4
	$s_3$ 4 x	5.5	6.6	5.5	9	9	6.6	6.6	9	6.6	9		9			M10
Required motor shafts	$d_3$	11	14	11	19	14	14	14	11	19	24	19	28	24	19	24
	$l_3$	min	23	30	23	25				23	25	50	40	30		50
		max.	23	30	23	40				40	40	50	50	60		50
	$U_1$	4	5	4	6	5	5	5	4	6	8	6	8	8	6	8
$t_1$	12.5	16	12.5	21.5	16	16	16	12.5	21.5	27	21.5	31	27	21.5	27	
Gearbox size		Overall length $k$														
05		363	370	363	384											
06		420	427	420	441						475					
07			481		495						529		524			544

Gearbox size	Gearbox							
	$o$	$o_1^*$	$p^*$	$h$	$h_1$	$a$	$k_8$	$q$
05	209	230	205	125	80	13	40	103
06	252	277	250	150	100	10	49	121
07	299	351	310	190	120	12	65	155

Gearbox-size	Solid shaft							Output flange						
	$d_{k6}$	$l$	$l_1$	$l_2$	$d_2$	$u$	$t$	$a_2$	$b_2$ $j_7$	$c_2$	$e_2$	$f_2$	$i_2$	$s_2$
05	30	60	6	45	M10	8	33	200	130	12	165	3.5	60	4 x 11
06	40	80	7	63	M16	12	43	250	180	15	215	4	80	4 x 14
07	50	100	8	80	M16	14	53.5	250 300	180 230	15 17	215 265	4	100	4 x 14

Dimensions in [mm] \* Observe dimension  $k_2$ .

## Hollow shaft with shrink disc

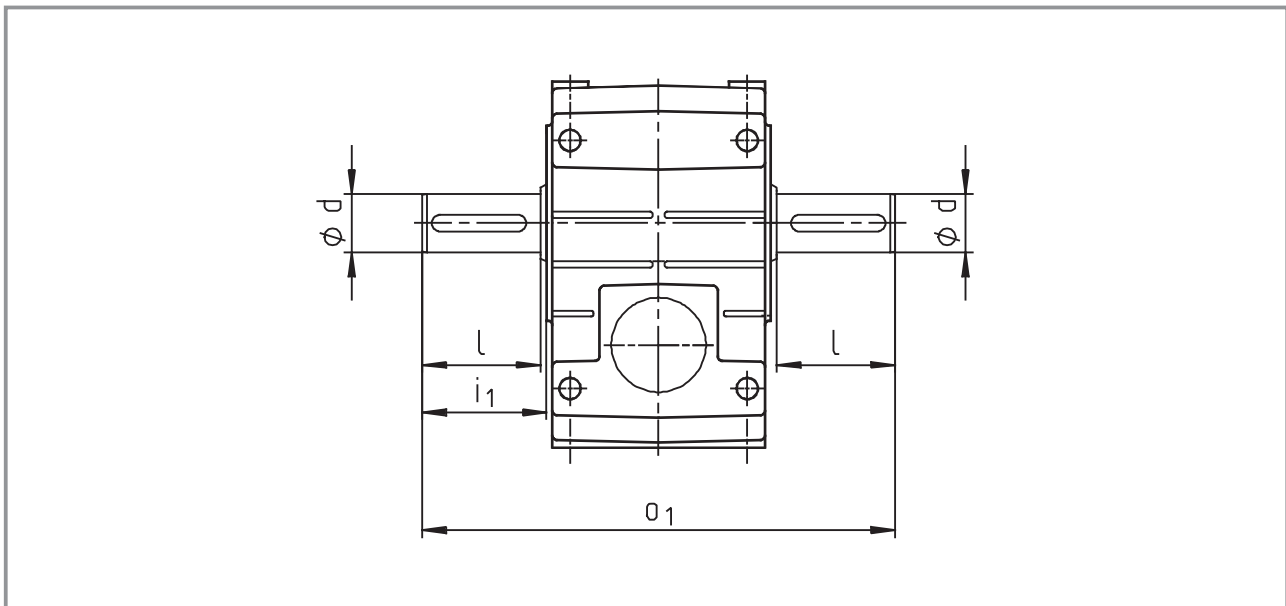


Gearbox size	Machine shaft*		Hollow shaft with shrink disc						Cover	
	d	Fit	$i_1$	$g_2$	$k_{10}$	$l$	$l_1$	$f_5$	$g_3$	$k_{11}$
04	25 30	h6	2.5	72	147.5	142	122	26	79	156
05	35	h6	4	80	173.5		168	148	28	90 181
06	40	h6	5	90	199.5		194	164	30	100 206
07	50	h6	5	110	237.5		232	192	26	124 246

Dimensions in [mm]

\* Ensure that the strength of the shaft material is adequate in shrink disc designs. When using typical steels (e.g. C45, 42CrMo4), the torques listed in the selection tables can be used without restriction. When using material that is considerably weaker, please consult us. The average surface roughness  $R_z$  must not exceed  $15 \mu\text{m}$  (turning operation is sufficient).

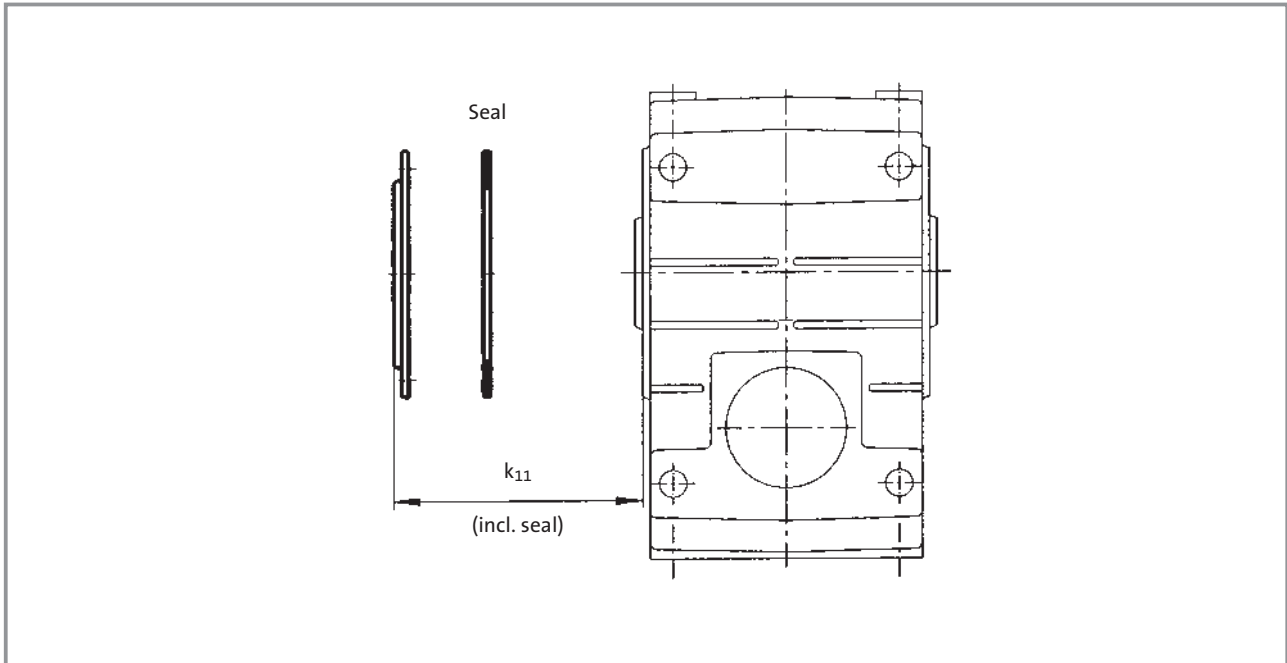
## Gearbox with 2nd output shaft end



Gearbox size	$d$	$l$	$i_1$	$o_1$
04	25	50	52.5	215
05	30	60	64	260
06	40	80	85	320
07	50	100	105	400

Dimensions in [mm]

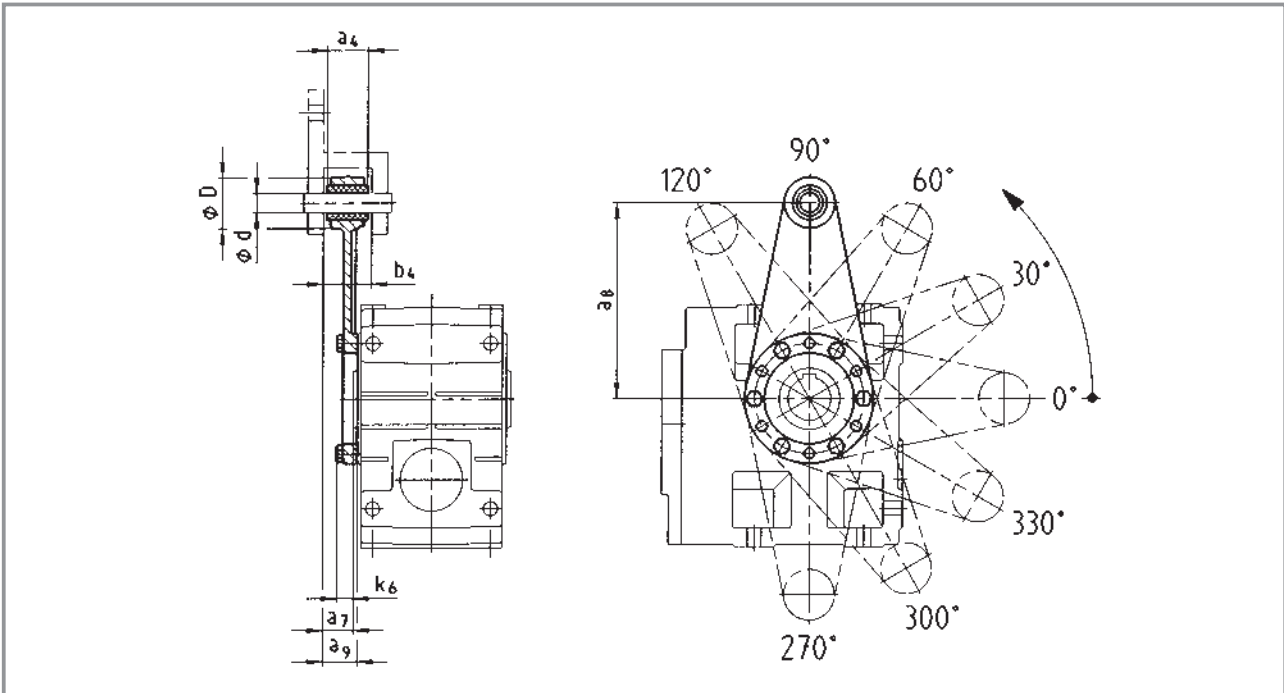
## Hoseproof hollow shaft cover



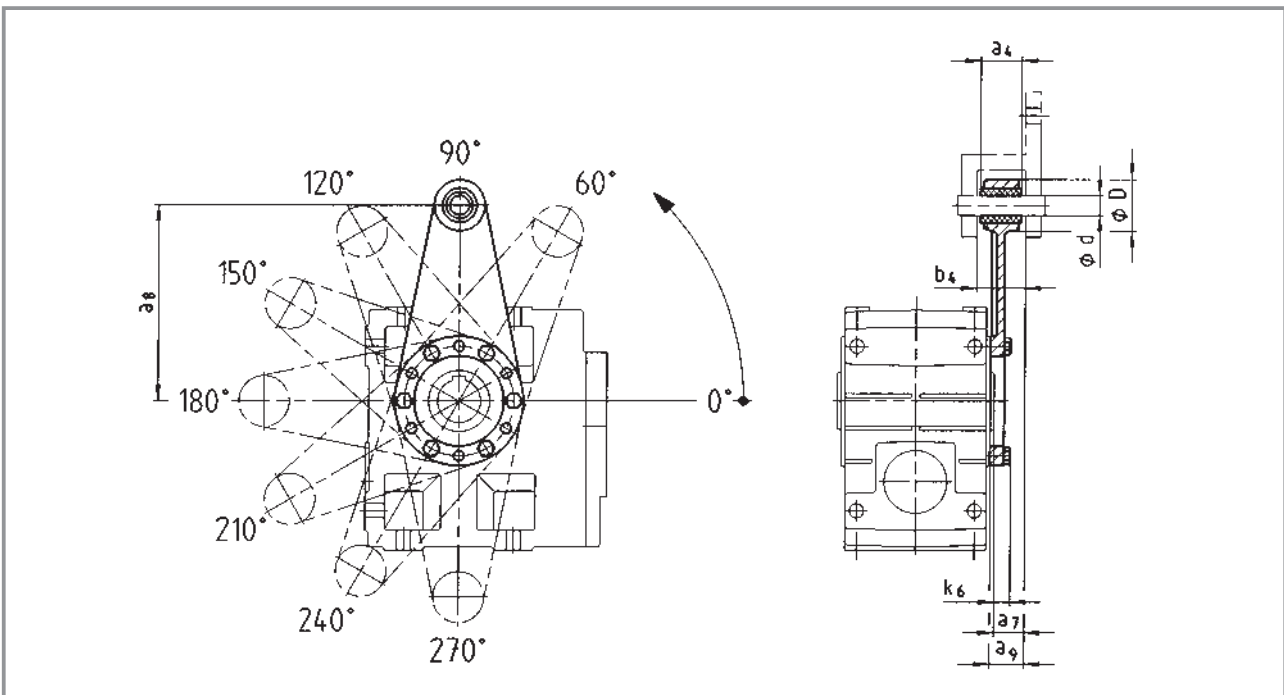
Gearbox size	Cover $k_{11}$
04	11
05	12
06	13
07	13

Dimensions in [mm]

## Torque plate at pitch circle in position 3



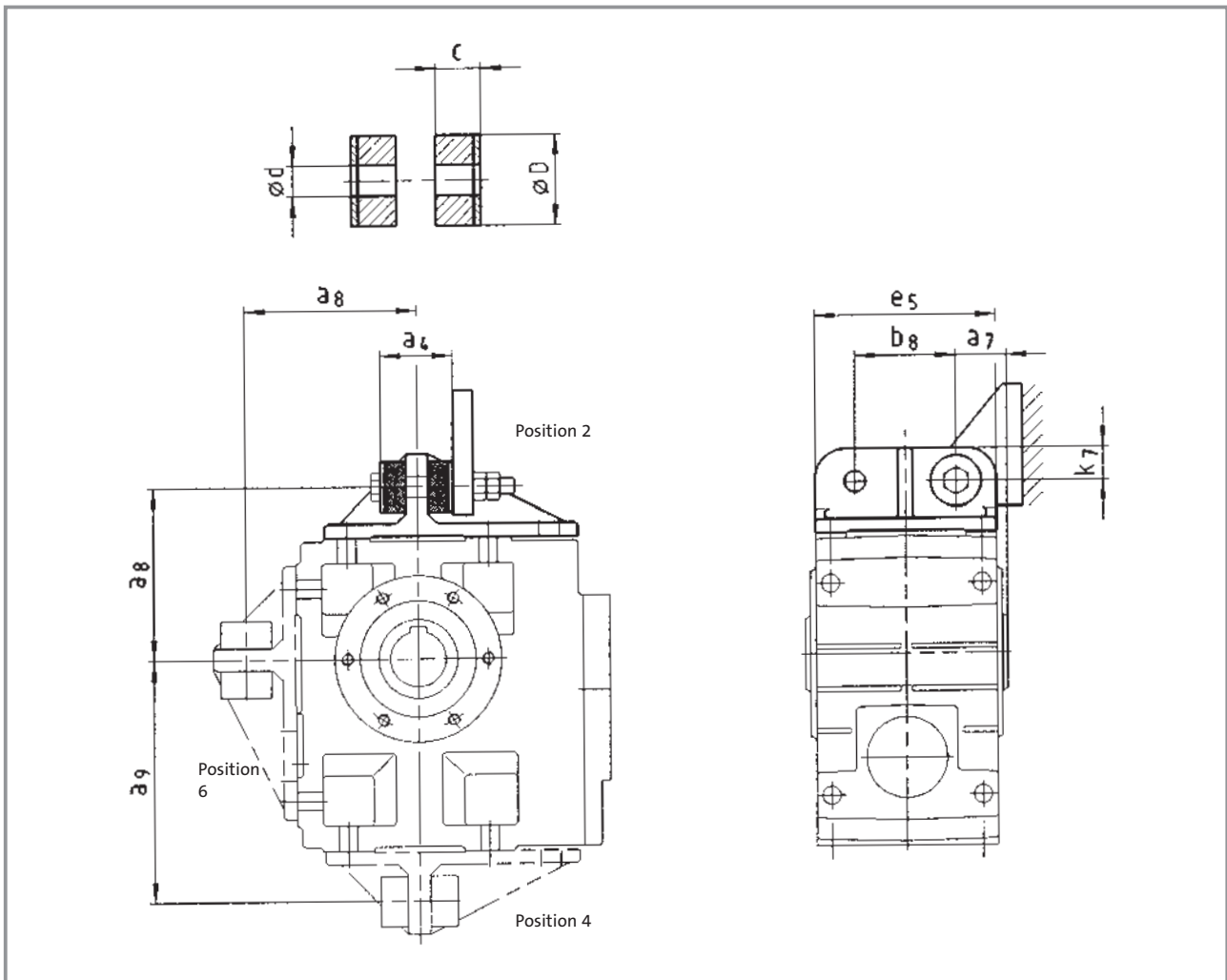
## Torque plate at pitch circle in position 5



Gearbox size	Assembly space		Torque plate					
	a <sub>7</sub>	b <sub>4</sub>	a <sub>4</sub>	a <sub>8</sub>	a <sub>9</sub>	d	D	k <sub>6</sub>
04	24	34.5	30	130	26.5	12	35	16
05	23.5	38.5	34	160	27.5	16	45	15
06	28	44.5	40	200	33	20	50	18
07	32.5	50.5	46	250	37.5	25	65	21

Dimensions in [mm]

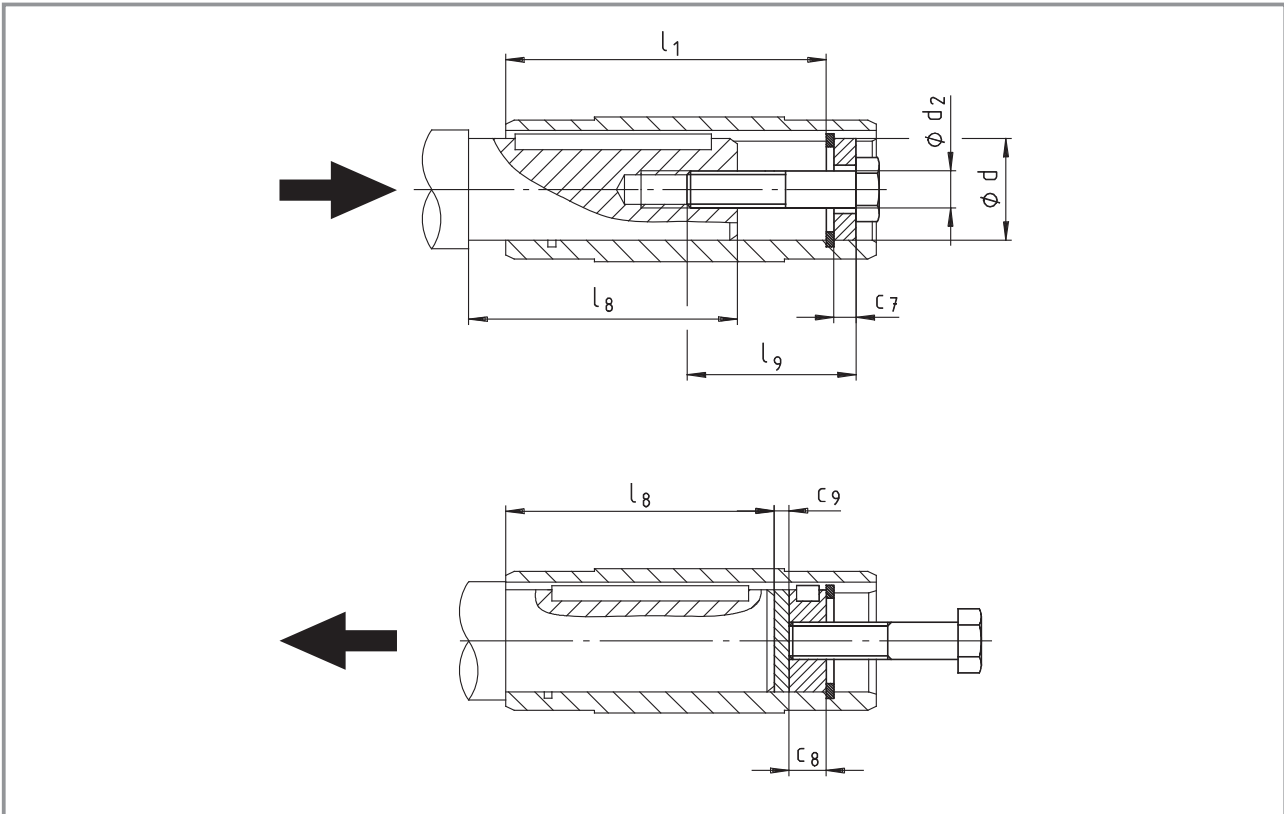
## Torque plate on housing foot



Gearbox size	$a_4$	$a_7$	$a_8$	$a_9$	$b_8$	$c$	$d$	$D$	$e_5$	$k_7$
04	41	27.5	106	135	60	14.5	11	30	100	20
05	45	35	115	160	70	15	13	40	127	25
06	72	40	145	195	80	27	17	50	145	28
07	78	50	170	240	100	28	21	60	180	35

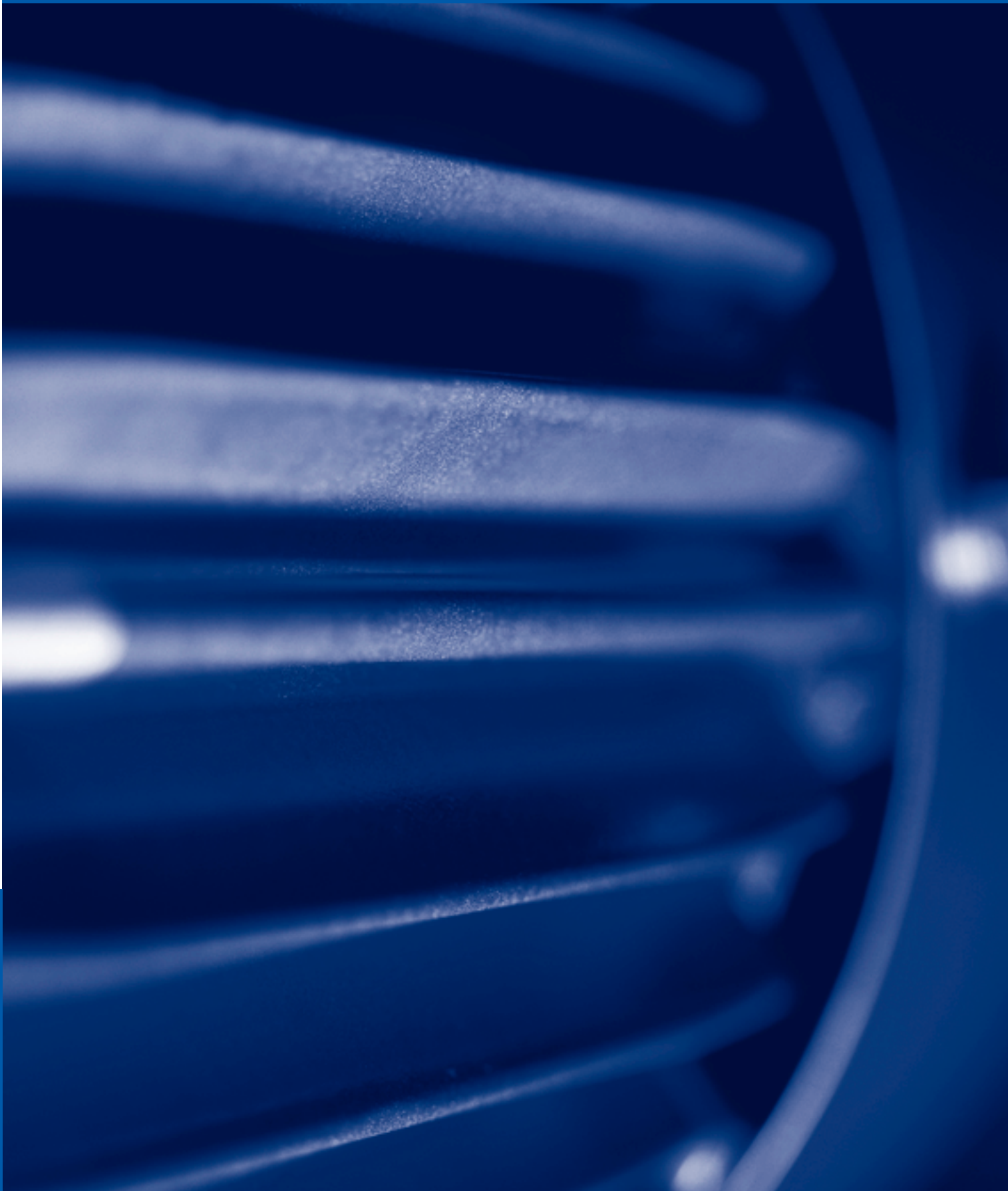
Dimensions in [mm]

## Mounting set for hollow shaft circlip/proposed design for auxiliary tools



Gearbox size	Hollow shaft (design H)			Mounting set for hollow shaft circlip (mounting auxiliary tool)			Dismounting auxiliary tool		Machine shaft max $l_8$
	$l$	$l_1$	$d$ H7	$d_2$	$l_9$	$c_7$	$c_8$	$c_9$	
04	115	100	25 30	M10 M10	40	5 6	10	3	85
05	140	124	30 35	M10 M12	40 50	6 7	10 12	3	107
06	160	140	40 45	M16	60	8 9	16	4	118
07	200	175	50 55	M16 M20	60 80	10 11	16 20	5	148

Dimensions in [mm]





## Motors for Atex category 2G, 2D, 3G, 3D (zone 1, 21, 2, 22)

Rated data 50 Hz \_\_\_\_\_ 8-2

Motor connection

Motor terminal boxes \_\_\_\_\_ 8-3

## Two pole pairs (4-pole)

Motor frame size	P <sub>r</sub> [kW]	n <sub>r</sub> [rpm]	I <sub>r</sub>		I <sub>A</sub> /I <sub>r</sub>	U ± 5%		f <sub>r</sub> [Hz]	cos φ	η [%]	M <sub>r</sub> [Nm]	M <sub>K</sub> [Nm]	M <sub>A</sub> [Nm]	J <sub>motor</sub> [10 <sup>-3</sup> kgm <sup>2</sup> ]	m [kg]
			Y [A]	Δ [A]		Y [V]	Δ [A]								
<b>063-12</b>	0.12	1380	0.50	0.90	3.4	400	230	50	0.67	50	0.83	1.66	1.66	0.24	3.6
<b>062-32</b>	0.18	1370	0.60	1.10	3.7	400	230	50	0.69	62	1.25	2.50	2.50	0.31	4.2
<b>071-12</b>	0.25	1350	0.80	1.40	3.7	400	230	50	0.69	65	1.77	3.54	3.54	0.61	4.8
<b>071-32</b>	0.37	1350	1.30	2.25	3.6	400	230	50	0.59	68	2.62	5.24	5.24	0.77	5.9
<b>080-12</b>	0.55	1370	1.60	2.75	3.4	400	230	50	0.72	71	3.80	6.84	6.46	1.58	7.8
<b>080-32</b>	0.75	1370	2.10	3.70	4.6	400	230	50	0.74	71	5.20	9.36	9.36	1.90	9.0
<b>090-12</b>	1.1	1405	2.70	4.70	4.7	400	230	50	0.80	73	7.50	18.0	15.0	2.70	16
<b>090-32</b>	1.5	1415	3.70	6.40	5.3	400	230	50	0.77	76	10.1	27.3	25.3	2.80	18
<b>100-12</b>	2.2	1425	5.20	9.00	5.9	400	230	50	0.80	77	14.7	41.2	35.3	7.00	26
<b>100-32</b>	3	1415	6.90	12.0	5.8	400	230	50	0.81	78	20.2	58.6	52.5	8.20	27
<b>112-22</b>	4	1430	8.30	14.4	6.9	400	230	50	0.85	83	26.7	80.1	66.8	14.0	37

The data values in percentages include the tolerance limits (± 5%) according to EN 60034.

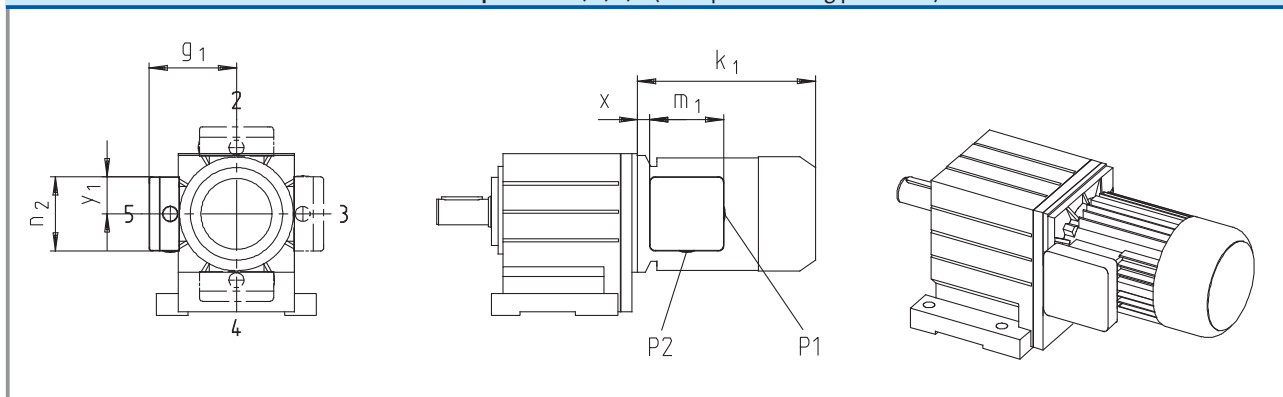
Values are guide values.



### Motor terminal boxes

#### Dimensions and positions of cable entries

Terminal box positions 2, 3, 4, 5 (example mounting position A)



Terminal box	Motor frame size					
	063	071	080	090	100	112
x	19	15	11	17.5	17.5	38
g <sub>1</sub>		125		127		134 128 139 164
m <sub>1</sub>	102	102	102	101	101	121
n <sub>2</sub>	92	92	92	103	103	146
y <sub>1</sub>	46	46	46	51.5	51.5	61
P1	M20x1.5	M20x1.5	M20x1.5			
P2				M20x1.5	M20x1.5	M25x1.5

For dimension  $k_1$ , see the geared motor dimensions.

<b>Terminal box position 2</b> Position of cable entries: 1 (P1) or 5 (P2)	<b>Terminal box position 3</b> Position of cable entries: 1 (P1) or 2 (P2)
<b>Terminal box position 4</b> Position of cable entries: 1 (P1) or 3 (P2)	<b>Terminal box position 5</b> Position of cable entries: 1 (P1) or 4 (P2)



# Lenze worldwide

## Lenze SE

Postfach 10 13 52  
D-31763 Hameln  
Telefon +49 (0)51 54 / 82-0  
Telefax +49 (0)51 54 / 82-28 00  
E-Mail: Lenze@Lenze.de  
Internet: www.Lenze.com

## Lenze Automation GmbH

Grünstraße 36, D-40667 Meerbusch  
Telefon +49 (0)21 32 / 99 04-0  
Telefax +49 (0)21 32 / 7 21 90  
Standort:  
Hans-Lenze-Straße 1, D-31855 Aerzen  
Postfach 101352, D-31763 Hameln  
Telefon +49 (0)51 54 / 82-0  
Telefax +49 (0)51 54 / 82-28 00  
Standort:  
Am Alten Bahnhof 11  
D-38122 Braunschweig  
Telefon +49 (0)531 / 80178-0  
Telefax +49 (0)531 / 80178-20

## Lenze Drives GmbH

Postfach 10 13 52, D-31763 Hameln  
Breslauer Strasse 3, D-32699 Extertal  
Telefon +49 (0)51 54 / 82-0  
Telefax +49 (0)51 54 / 82-28 00

## Lenze Operations GmbH

Postfach 10 13 52, D-31763 Hameln  
Hans Lenze Straße 1, D-31855 Aerzen  
Telefon +49 (0)51 54 / 82-0  
Telefax +49 (0)51 54 / 82-28 00

## Lenze GmbH & Co KG Anlagenbau

Buchenweg 1  
D-31855 Aerzen  
Telefon +49 (0)51 54 / 82-0  
Telefax +49 (0)51 54 / 82-21 00

## Lenze Service GmbH

Breslauer Straße 3  
D-32699 Extertal  
**Mechanical Drives**  
Telefon +49 (0)51 54 / 82-16 26  
Telefax +49 (0)51 54 / 82-13 96  
**Electronic Drives**  
Telefon +49 (0)51 54 / 82-11 11  
Telefax +49 (0)51 54 / 82-11 12  
**Service Helpline**  
**+49 (0)180 5 20 24 26**

## Lenze Verbindungstechnik GmbH

IpF-Landesstraße 1  
A-4481 ASTEN  
Telefon +43 (0)72 24 / 210-0  
Telefax +43 (0)72 24 / 210-998

## Schmidhauser AG

Obere Neustrasse 1  
CH-8590 Romanshorn  
Telefon +41 (0)71 466 11 11  
Telefax +41 (0)71 466 11 10

## encoway GmbH

Buschhöhe 2  
D-28357 Bremen  
Telefon +49 (0)4 21 / 33003 - 500  
Telefax +49 (0)4 21 / 33003 - 555

## DEUTSCHLAND/GERMANY

### Lenze Vertrieb GmbH \*

Ludwig-Erhard-Straße 52-56  
D-72760 Reutlingen  
Telefon +49 (0)71 21 / 9 39 39-0  
Telefax +49 (0)71 21 / 9 39 39-29

Region Nord  
HefeHof 25  
31785 Hameln  
Telefon (0 51 54) 82 44-0  
Telefax (0 51 54) 82 44-44

Region West  
Postfach 10 12 20  
47497 Neukirchen-Vluyn  
Kelvinstraße 7  
47506 Neukirchen-Vluyn  
Telefon (0 28 45) 95 93-0  
Telefax (0 28 45) 95 93 93

Region Mitte/Ost  
Postfach 1463  
35724 Herborn  
Austraße 81  
35745 Herborn  
Telefon (0 27 72) 95 94-0  
Telefax (0 27 72) 95 94 94

Region Südwest  
Postfach 14 33  
71304 Waiblingen  
Schänzle 8  
71332 Waiblingen  
Telefon (0 71 51) 9 59 81-0  
Telefax (0 71 51) 9 59 81 50

Region Süd  
Fraunhoferstraße 16  
82152 Martinsried  
Telefon (0 89) 89 56 14-0  
Telefax (0 89) 89 56 14 14

## WELTWEIT/WORLDWIDE

### ALGERIA

see FRANCE

### ARGENTINA \*

E.R.H.S.A.  
Girardot 1368, 1427 BUENOS AIRES  
Phone +54 (0)11 / 45 54 32 32  
Telefax +54 (0)11 / 45 52 36 11

### AUSTRALIA \*

FCR Motion Technology Pty. Ltd.  
Unit 6, Automation Place  
38-40 Little Boundary Rd.  
LAVERTON NORTH, Vic. 3026  
Phone +61 (3) 9362 6800  
Telefax +61 (3) 9314 3744

### AUSTRIA \*

Lenze Antriebstechnik GmbH  
IpF-Landesstraße 1  
4481 ASTEN  
Phone +43 (0)7224 / 210-0  
Telefax +43 (0)7224 / 210-999  
Office Dornbirn:  
Lustenauer Straße 64  
6850 DORNBIERN  
Phone +43 (0)7224 / 210-0  
Telefax +43 (0)7224 / 210-7299  
Office Wr. Neudorf:  
Triester Straße 14/109  
2351 WR. NEUDORF  
Phone +43 (0)7224 / 210-0  
Telefax +43 (0)7224 / 210-7099  
Office Graz:  
Seering 8  
8141 ÜNTERPREMSTÄTTEN  
Phone +43 (0)7224 / 210-0  
Telefax +43 (0)7224 / 210-7199  
Lenze Verbindungstechnik GmbH  
IpF-Landesstraße 1  
4481 ASTEN  
Phone +43 (0)7224 / 210-0  
Telefax +43 (0)7224 / 210-998  
Lenze Anlagentechnik GmbH  
Mühlenstraße 3  
4470 ENNS  
Phone +43 (0)7224 / 210-0  
Telefax +43 (0)7224 / 210-997

### BELARUS

IOOO Lenze  
220124, Minsk  
Masjukovschina str, 2-a  
administrative and amenity building,  
attic, office 5  
Phone (+375-17) 509-59-55  
Telefax (+375-17) 509-65-66  
Mobile (+375-29) 694-67-89 Vel  
Mobile (+375-29) 505-18-06 MTC

### BELGIUM \*

Lenze bv.ba  
Industriepark Noord, 19.  
9100 SINT-NIKLAAS  
Phone +32 (0)3.542.62.00  
Telefax +32 (0)3.541.37.54

### BOSNIA-HERZEGOVINA

see AUSTRIA

### BRAZIL \*

Lenze Brasil Automação Ltda.  
Rua Conde Moreira Lima 589  
CEP 04384-030  
SÃO PAULO/SP – Brasil  
Phone +55 11 2348-6579  
Telefax +55 11 2348-6573

Produtos Eletrônicos Metaltex Ltda  
(Focus on Sales)  
Rua José Rafaelli, 221  
Socorro, CEP 04763-280  
SÃO PAULO/SP – Brasil  
Phone +55 11 56 83 57 00  
Telefax +55 11 55 24 23 24

### BULGARIA

Lenze Zadvzhvasta Tehnika EOOD  
Bul. Maritza 21, Office 204  
4003 PLOVDIV  
Phone +359 / 32 / 940 373  
Telefax +359 / 32 / 940 349

### CANADA \*

Lenze Canada Corporation  
1535 Meyerside Drive, Unit 1  
Mississauga, ON L5T 1M9 CANADA  
Phone +1 (508) 278-9100  
Telefax +1 (508) 278-7873

### CENTRAL AMERICA

see Americas HQ

### CHILE

Sargent S.A.  
Tecnica Thomas C. Sargent  
Av. Gral. Velásquez 5720, San Bernardo  
SANTIAGO – CHILE  
Phone +56 (0)2 / 51 03 000  
Telefax +56 (0)2 / 69 83 989

### CHINA \*

Lenze Drive Systems (Shanghai) Co. Ltd.  
No. 2989, Jiangshan Road  
Lingang, Shanghai 201306  
CHINA  
Phone +86 21 3828 0200  
Telefax +86 21 3828 0250

### COLOMBIA

Casa Sueca, S.A.  
Calle 52 IN-74  
CALLI  
Phone +57 -2- 682 0444  
Telefax +57 -2- 683 1411

### CROATIA

Lenze mehatronika-pogonska tehnika  
d.o.o.  
Ulica grada Gospića 3  
HR-10000 ZAGREB  
Phone +385 1 249-8056  
Telefax +385 1 249-8057

### CZECH REPUBLIC

Lenze, s.r.o.  
Central Trade Park D1  
396 01 HUMPOLEC  
Phone +420 565 507-111  
Telefax +420 565 507-399  
Büro Červený Kostelec:  
17. listopadu 510  
549 41 ČERVENÝ KOSTELEČ  
Phone +420 491 467-111  
Telefax +420 491 467-166

### DENMARK \*

Lenze A/S  
Vallensbækvej 18A  
2605 BRØNDBY  
Phone +45 / 4696 6666  
Telefax +45 / 4696 6660  
24 stunde service +45 / 5251 6699  
Buero Jylland: Lenze A/S  
Niels Bohrs Vej 23  
8660 SKANDERBORG  
Phone +45 / 46 96 66 88  
Telefax +45 / 46 96 66 80

### EGYPT

WADI Co. for technologies  
and development  
P.O.Box 209, new center Ramses  
11794 CAIRO, Egypt  
11 Syria St., Mohandessin  
GIZA, Egypt  
Phone +2 (02) 3347 6842  
Telefax +2 (02) 3347 6843

### ESTONIA

see FINLAND

### FINLAND \*

Lenze Drives  
Tierankatu 8, 20520 TURKU  
Phone +358 2 2748 180  
Telefax +358 2 2748 189

### FRANCE \*

Lenze S.A.  
**Siège**  
ZI des Mardelles  
44 Rue Blaise Pascal  
93600 AULNAY-SOUS-BOIS  
**Services Commerciaux**  
Phone 0 825 086 036  
Telefax 0 825 086 346

**Centre de formation**  
E-Mail : semin.sidonie@lenze.fr

**Questions générales / documentation**  
E-Mail : info@lenze.fr

**Service Après-vente / assistance en ligne**  
Helpline 24/24 : 0 825 826 117  
E-Mail : helpline@lenze.fr

Agences en France  
**Région France Nord :**  
ZI des Mardelles  
44 Rue Blaise Pascal  
93600 AULNAY-SOUS-BOIS  
Nantes  
44000 NANTES

Strasbourg  
67870 GRIESHEIM près MOLSHEIM

Rouen  
76500 ELBEUF

**Région France Sud :**  
Parc Technologique  
97, allée Alexandre Borodine  
Immeuble le Douglas 2  
69800 SAINT PRIEST

Agen  
47270 SAINT-PIERRE de CLAIRAC

### GREECE

GEORGE P. ALEXANDRIS SA  
12, K. Mavromichali Street  
18545 PIRAEUS  
Phone +30 210 41 11 841  
Telefax +30 210 41 27 058  
Industrial Area, Block 48B, 4th Entrance  
57022 SINDOS  
Phone +30 2310 556 650  
Telefax +30 2310 511 815

### HUNGARY \*

Lenze Hajtástechnika Kft  
2040 BUDAÖRS  
Gyár utca 2., P.O.Box 322.  
Phone +36 (0)23 / 501-320  
Telefax +36 (0)23 / 501-339

### ICELAND

see DENMARK



## INDIA

Lenze Mechatronics Pvt. Ltd.  
Lenze Plot No. 46A, Sector-10  
PCNTDA Industrial Area, Bhosari  
PUNE - 411 026  
Phone +91-20-66318100  
Telefax +91-20-66318120

Kolkata Sales office  
2nd Floor, 3/1 Ashton Road  
KOLKATA - 700020  
Phone +91-33-24190490  
Telefax +91-33-24190562

New Delhi Sales office  
Flat No -101, Padma Tower - II  
22, Rajendra Place  
NEW DELHI - 110008  
Phone +91-11-25812113/15  
Telefax +91-11-25812114

## INDONESIA

see MALAYSIA

## IRAN

Tavan Ressian Co.  
No.5, Alizadeh Alley,  
North Bahar Str.,  
Sadr Highway,  
Tehran-1931813556-Iran  
P.O. Box 19395-5177 Teh-IR  
Phone +98 21 / 2769 4444  
Telefax +98 21 / 222 444 00

## ISRAEL \*

Zeev Melcer LTD  
P.O.B. 10011, HAIFA BAY 26110  
36 Yosef Levi St., Kiriat Bialik  
Phone +972-(0)4-8757037  
Telefax +972-(0)4-8742172

## ITALY \*

Lenze Italia S.r.l.  
Viale Monza 338, 20128 MILANO  
Phone +39 02 / 270 98.1  
Telefax +39 02 / 270 98 290

## JAPAN \*

Miki Pulley Co., Ltd.  
1-39-7 Komatsubara, Zama-city  
KANAGAWA 228-8577  
Phone +81 (0)462 / 58 16 61  
Telefax +81 (0)462 / 58 17 04

## LATVIA

see LITHUANIA

## LEBANON

I. Network Automation s.a.l.  
Ground floor - United insurance building  
Facing Mercedes Show room  
Dora - High Way, BEIRUT-METEN  
P.O.Box 835 - Jounieh - Lebanon  
Phone +961-1-249562  
Telefax +961-1-249563

## LITHUANIA

Lenze UAB  
Breslaujos g.3, 44403 KAUNAS  
Phone +370 37 407174  
Telefax +370 37 407175

## LUXEMBOURG \*

see BELGIUM

## MACEDONIA

Lenze Antriebsstechnik GmbH  
Pretstavništvo Skopje  
ul. Nikola Rusinski 3/A/2, 1000 SKOPIJE  
Phone +389 2 30 90 090  
Telefax +389 2 30 90 091

## MALAYSIA

Lenze S.E.A. Sdn Bhd  
No. 28 Jalan PJU 3/47  
Sunway Damansara, Technology Park  
47810 PETALING JAYA  
SELANGOR DARUL EHSAN  
Phone +60 3 7803 1428  
Telefax +60 3 7806 3728

## MAURITIUS

Automation & Controls Engineering Ltd  
3, Royal Road, Le Hochet, Terre Rouge  
MAURITIUS  
Phone +230 248 8211  
Telefax +230 248 8968

## MEXICO

Sales:  
see AMERICAS HQ

Service:  
**Automatización y Control  
de Energía S.A. de C.V.**  
Av. 2 No.89 Esq Calle 13  
Col. San Pedro de los Pinos  
C.P. 03800 MEXICO D.F.  
Phone +52 55 2636-3540  
Fax +52 55 2636-3541

## MONTENEGRO

see MACEDONIA

## MOROCCO

GUORFET G.T.D.R  
Automatisation Industrielle  
Bd Chefchaouni Route 110 km, 11.500  
No. 353-Ain-Sabaâ  
CASABLANCA  
Phone +212/22-35 70 78  
Telefax +212/22-35 71 04

## NETHERLANDS \*

Lenze B.V., Postbus 31 01  
5203 DC 'S-HERTOGENBOSCH  
Ploegweg 15  
5232 BR 'S-HERTOGENBOSCH  
Phone +31 (0)73 / 64 56 50 0  
Telefax +31 (0)73 / 64 56 51 0

## NEW ZEALAND \*

Tranz Corporation  
343 Church Street  
P.O. Box 12-320, Penrose  
AUCKLAND  
Phone +64 (0)9 / 63 45 51 1  
Telefax +64 (0)9 / 63 45 51 8

## NORWAY \*

Dtc- Lenze as  
Stallbakken 5, 2005 RAEILINGEN  
Phone +47 / 64 80 25 10  
Telefax +47 / 64 80 25 11

## PHILIPPINES

see MALAYSIA

## POLAND

Lenze Polska Sp. z o.o.  
Ul. Różdzieńskiego 188b  
40-203 KATOWICE  
Phone +48 (0) 32 203 97 73  
Telefax +48 (0) 32 781 01 80

Torun Office  
Lenze Polska Sp. z o.o.  
Ul. Rydygiera 47  
87-100 TORUN  
Phone +48 (0) 56 658 28 00  
Telefax +48 (0) 56 645 33 56

## PORTUGAL \*

Costa Leal el Victor  
Electronica-Pneumatica, Lda.  
Rua Prof. Augusto Lessa, 269,  
Apart. 52053  
4202-801 PORTO  
Phone +351-22 / 5 50 85 20  
Telefax +351-22 / 5 02 40 05

## ROMANIA

see AUSTRIA

## RUSSIA

OOO Lenze  
Schchelkovskoye shosse 5  
105122 MOSCOW  
Phone +7 495 921 3250  
Telefax +7 495 921 3259

## SERBIA

see MACEDONIA

## SINGAPORE \*

see MALAYSIA

## SLOVAC REPUBLIC

ECS Sluzby spol. s.r.o.  
Staromlynska 29  
82106 BRATISLAVA  
Phone +421 2 45 25 96 06  
+421 2 45 64 31 47  
+421 2 45 64 31 48  
Telefax +421 2 45 25 96 06

## SLOVENIA

LENZE GmbH, Asten, Avstrija  
Podružnica Celje  
Kidričeva 24  
3000 CELJE  
Phone +386 03 426 46 40  
Telefax +386 03 426 46 50

## SOUTH AFRICA \*

S.A. Power Services (Pty.) Ltd.  
Unit 14, Meadowbrook Business Estates  
Jacaranda Ave, Olivedale  
Randburg 2158, P.O.Box 1137  
RANDBURG 2125  
Phone +27(11) 462-8810  
Telefax +27(11) 704-5775

## SOUTH KOREA \*

Lenze Representative Office  
No. 606, Daeryung Technotown 6th,  
493-6, Gasan-dong, Geumcheon-gu,  
SEOUL 153-774  
Phone +82 2-792-7017  
Telefax +82 2-792-7018

## SPAIN \*

Lenze Transmisiones S.A.  
Edificio TCA  
C/ Henri Dunant, 9  
08173 SANT CUGAT DEL VALLE'S  
(Barcelona)  
Phone 902 02 79 04  
(0034) 937 207 680  
Telefax 902 02 63 69

Lenze Delegación Norte  
Phone 902 02 79 04  
(0034) 937 207 680

Lenze Delegación Levante  
Cullera, 73- 4ºD  
46035 BENIMAMET (Valencia)  
Phone 902 02 79 04  
(0034) 937 207 680  
Telefax 902 02 63 69

Lenze Delegación Madrid  
C/ Poema Sinfónico Nº 25-27  
Local nº 3, escalera 1, Planta Baja.  
28054 MADRID  
Phone 915 103 341  
Telefax 915 102 061

## SWEDEN \*

Lenze Transmissioner AB  
PO.Box 10 74, Attorpsgratan, Tornby Ind.  
58110 LINKÖPING  
Phone +46 (0)13 / 35 58 00  
Telefax +46 (0)13 / 10 36 23

## SWITZERLAND \*

Lenze Bachofen AG  
Ackerstrasse 45  
8610 USTER  
Phone +41 (0) 43 399 14 14  
Telefax +41 (0) 43 399 14 24

Vente Suisse Romande:  
Route de Prilly 25  
1023 CRISSIER  
Phone +41 (0)21 / 63 72 19 0  
Telefax +41 (0)21 / 63 54 76 2

## SYRIA

Zahabi Co.  
8/5 Shouhadadaa Street  
P.O.Box 8262  
ALEPPO-SYRIA  
Phone +963 21 21 22 23 5  
Telefax +963 21 21 22 23 7

## TAIWAN \*

Lenze Taiwan Representative Office  
6F-1, No.136, Sec. 3, Zhongxiao E. Rd.  
TAIPEI City, 10655, Taiwan  
Phone +886 / (0)2-2721-2161  
Telefax +886 / (0)2-2721-2706

## THAILAND

see MALAYSIA

## TUNESIA

AMF Industrielle Sarl  
Route de Gremda - Km 0,2  
Immeuble El Madina,  
Centre Bloc B - 5 ème - appt 52  
3002 SFAX  
Phone +216 74 403 514  
Telefax +216 74 402 516

## TURKEY

LSE Elektrik  
Elektronik Makina  
Otomasyon Mühendislik  
Sanayi ve Ticaret Ltd. Şti  
Atatürk mah. Cumhuriyet cad.  
Yurt sok. No: 7  
ÜMRANIYE/İSTANBUL  
Phone +90 (0)216 / 316 5138 pbx  
Telefax +90 (0)216 / 443 4277

## UKRAINE

SV Altera, Ltd.  
Lepse ave., 4  
KIEV, 03067  
Phone +38 044 496 18 88  
Telefax +38 044 496 18-18

## UNITED ARAB EMIRATES

LPT (FZC)  
X4 Building No. 37  
Sharjah Airport Free Zone (SALF ZONE)  
SHARJAH  
Phone +971 6 5573205  
Telefax +971 6 5573206

## UNITED KINGDOM/EIRE \*

Lenze Ltd.  
Fraser Road  
Priory Business Park  
BEDFORD MK44 3WH  
Phone +44 (0)1234 / 75 32 00  
Telefax +44 (0)1234 / 75 32 20

## USA \*

AMERICAS HQ  
Lenze Americas Corporation  
630 Douglas Street  
UXBRIDGE, MA 01569  
Phone +1 508 278 9100  
Telefax +1 508 278 7873

Sales:  
see Americas HQ

Operations:  
Lenze AC Tech Corporation  
630 Douglas Street  
UXBRIDGE, MA 01569  
Phone +1 508 278 9100  
Telefax +1 508 278 9294

Lenze DETO Drive Systems  
see Americas HQ

## VIETNAM

see MALAYSIA

\* Countries connected to the free expert helpline 008000 24 hours (008000 24 46877)

# It's good to know | why we are there for you



*"Our customers come first. Customer satisfaction is what motivates us. By thinking in terms of how we can add value for our customers we can increase productivity through reliability."*



*"We will provide you with exactly what you need – perfectly co-ordinated products and solutions with the right functions for your machines and installations. That is what we mean by 'quality'."*



*"Take advantage of our wealth of expertise. For more than 60 years now we have been gathering experience in various fields and implementing it consistently and rigorously in our products, motion functions and pre-configured solutions for industry."*



*"The world is our marketplace. Wherever you are in the world, we are nearby, providing you with our drive and automation solutions."*

Algeria · Argentina · Australia · Austria · Belarus · Belgium · Bosnia-Herzegovina · Brazil · Bulgaria · Canada · Central America · Chile · China · Colombia · Croatia · Czech Republic · Denmark · Egypt · Estonia · Finland · France · Germany · Greece · Hungary · Iceland · India · Indonesia · Iran · Israel · Italy · Japan · Latvia · Lebanon · Lithuania · Luxembourg · Macedonia · Malaysia · Mauritius · Mexico · Montenegro · Morocco · Netherlands · New Zealand · Norway · Philippines · Poland · Portugal · Romania · Russia · Serbia · Singapore · Slovak Republic · Slovenia · South Africa · South Korea · Spain · Sweden · Switzerland · Syria · Taiwan · Thailand · Tunisia · Turkey · Ukraine · United Arab Emirates · United Kingdom/Eire · USA · Vietnam

**You can rely on our service. Expert advice is available 24 hours a day, 365 days a year, in more than 30 countries via our international helpline: 008000 24 Hours (008000 2446877).**

**[www.Lenze.com](http://www.Lenze.com)**

13382793