



power+plus™

Pulleys and Sheaves Catalog 1060



THOUSANDS OF STOCK POWER TRANSMISSION SOLUTIONS

LEESON'S off-the-shelf product now includes the LEESON line of industrial Sheaves and Bushings. Together, we now offer over 7,000 stock motors, gear motors, gear reducers and drives. All are built for industrial use and have numerous features making them easy to install in replacement and new applications.

SHEAVES AND BUSHINGS

Maintaining full ISO 9001 quality assurance LEESON Stock Sheaves and Bushings represent unprecedented value. Using advanced production equipment sheave products are manufactured to the highest tolerances. Sheave products are available in all standard configurations and expedited production of non-standard OEM items.

MOTORS OF ALL TYPE

Stock motors include both AC and DC designs, from sub-fractional horsepower through hundreds of horsepower for general-purpose use and specific duty applications. All popular enclosures and configurations are available, along with some not-so-easy-to find items. Standard at no extra cost on all stock NEMA three phase motors (1 HP and larger) is LEESON's Inverter-Rated Insulation System (IRIS™), which provides an extra margin of protection from inverter-induced voltage spikes. Lincoln Electric Motors offers their "Ultimate E" inverter-rated insulation system on their 1 HP and larger frame three phase motors.

GEARING PRODUCTS

The LEESON product array includes both fractional and integral horsepower gear reducers. The popular Grove Gear IRONMAN® worm gear line, in both solid and hollow output shaft designs, is an industry workhorse. Our Grove Gear Stainless Steel line offers single worm, double worm and helical worm designs with ratios ranging from 5: 1 through 3600: 1 and center distances from 1.33" to 3.250". The O.E. Series has a compact, narrow profile designed to fit tight space allocations in new or existing equipment. Plus our heavy duty aluminum Electra-Gear speed reducers withstand the rigors of severe washdown and harsh environments. We also offer our Bravo™ line of Aluminum Gear Reducers, a vent-free and oil-free alternative for machine designers.

The LeCENTRIC in-line reducer provide bolt-in interchangeability with leading brands and being aluminum they are a lower cost alternative to cast iron. The Ironman High Efficiency line is an industry leader in product offering which includes Helical Inline, Helical Bevel and Helical Worm reducer and gearmotor designs.

ADJUSTABLE SPEED DRIVES

Speedmaster™ drives are a perfect fit with many types of the LEESON and Lincoln three-phase motors. Our Micro Series line of inverters is now available through 60 HP at 230 Volts and through 150 HP at 460 Volts. They also offer easy-to-use- "plain English" programming with built in PID software, making them a closed-loop drive, if needed. For applications through 25 HP, choose the SM-Plus Inverter, with its minuscule footprint, "big drive" features and wide range of accessories. If all you require is a "Shaft-turner" for your application needs, choose the SM-Series drive, having the same small footprint and many of the features of our SM-Plus Series, at a great price. We also offer a Sensor-less Vector inverter, which offers 200% starting torque and when run with a vector duty motor, full output torque down to 1 Hz. We also offer a competitive line of SCR, PWM, Regenerative and Low Voltage DC Controls.

STANDARDIZED TAPER BUSHINGS & SHEAVES FOR ALL YOUR POWER TRANSMISSION NEEDS

ISO9001 certified

Sheave Callouts:

- Dually bolt pattern to allow for reverse mounting in limited clearance applications
- Dynamically balanced to Q6.3 ISO 1940 precision
- Precision CNC machined Grooves
- Industry standard taper design insures interchangeability
- Fixed Bores are CNC machined to H7 precision
- Castings are vibration aged to relieve internal stresses insuring long, trouble free service life
- Quality gray cast iron grade GG25 (ASTM A48 grade 40B)
- 6500 ft/min Max rim speed

Bushing Callouts:

- Full split allowing the bushing to compress evenly throughout the bushing length for a secure, even fit
- Made from GGG40* ductile iron, precision machined and phosphate coated
- Set screw over the key** secures key in place. Especially helpful for vertical shaft down applications
- 2 sets of mounting holes to insure easy installation and removal. Use the thru holes to draw the bushing tight, use the threaded holes to push the bushing off the sheave.
- Industry standard taper design insures interchangeability
- Castings are vibration aged to relieve internal stresses insuring long, trouble free service life
- Precision machined taper insuring a snug, concentric fit with the sheave.

Hardware:

- Supplied with all necessary mounting hardware including 12.9 grade UNC bolts, lock washers, set screws and shaft key
- *STL mfg. in GG25 material
- **Contact factory for availability on smaller sizes



TABLE OF CONTENTS

TAPER BUSHINGS

BTL (e.g. 1008, 1108, 1210, 1215)	Page 4
Bore & Keyway Sizes.....	7
QTL “Quick Detachable” (e.g. JA, SH, SDS)	10
Bore and Keyway Sizes	14
STL (e.g. G, H, P1, P2).....	16
Bore and Keyway Sizes	20
QTL - Weld On Hubs	22

V-PULLEYS

AK	25
2AK	26
BK	27
2BK	28
AK-H	29
2AK-H	31
BK-H	32
2BK-H	33
VL and VM.....	35
1VP	36
2VP	38
A/B-C-D	39
3V-5V-8V	60
AL	78
TERMS AND CONDITIONS.....	79
WARNINGS AND CAUTIONS.....	81





BTL TAPER BUSHINGS
Sizes 1008 - 5050 & 6050 - 120100

BTL Taper bushings are manufactured in GG25 cast iron. Set screws are provided for a precision fit.

- 1008-5050 items are available from stock.
- 86050-12100 bushings are produced made-to-order.

Bores and keyways are available in metric and/or inch.

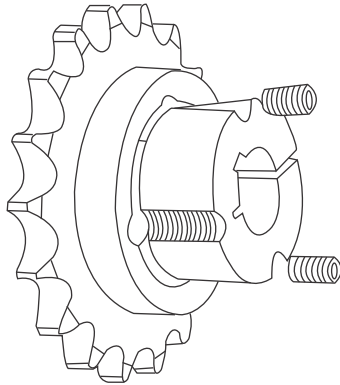
Characteristics:

- Standard configuration
- Precise and secure fit
- Easy assembly and disassembly
- Excellent shock resistance, long lifetime, for use under frequent starting and reversing situations and other severe operating conditions
- Large range of mounting between various kinds of transmission components and shafts with different diameters

BTL • TORQUE CAPACITIES

Bush. No.	Torque Capacity		Bush. No.	Torque Capacity	
	lbf.in	Nm		lbf.in	Nm
1008	1,200	136	3535	44,800	5,060
1108	1,300	147	4040	77,300	8,740
1210 1215	3,600	407	4545	110,000	12,400
1310 1315	3,850	435	5050	126,000	14,200
1610 1615	4,300	486	6050 7060	282,000 416,000	31,900 47,000
2012	7,150	808	8065	456,000	51,500
2517 2525	11,600	1,310	10085	869,000	98,200
3020 3030	24,000	2,710	120100	1,520,000	172,000

lbf.in=0.113Nm



INSTALLATION INSTRUCTIONS

To assemble:

1. Clean and degrease the bore and taper surfaces of the bushing and the taper bore of the wheel. Insert the bush into the hub and the wheel to line up holes (half thread holes must be lined up with half unloading holes)

2. Lightly oil the grub screws (bushing size 1008 to 3030) or the cap screws (bushing size up to 5050) and screw them the holes. Do not tighten yet.

3. Clean and degrease the shaft. Fit the wheel with taper bushing onto the shaft and locate it in desired position.

4. When using a key, it should be fitted first in the shaft keyway. There should be a tap clearance between the key and the keyway in the bore.

5. Using a hexagon socket wrench (DIN911) gradually tighten the grub/cap screws in accordance to the torques as listed in the table of screw tightening torques on the left.

6. When the drive has been operating under load for a short period (half to one hour), check to make sure that the screws remain at the appropriate tightening torque.

7. Fill all empty holes with grease in order to eliminate the entry of dirt.

To remove:

1. Loosen and remove all screws and place them in the holes of the bushing.
2. Tighten the screws alternatively until the hubs grip on the bushing is loosened. The inner bore of the bushing can be slid off the shaft.
3. Remove the bushing from the shaft.

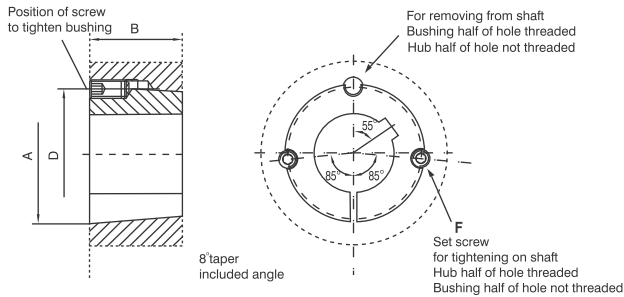
Bush. No.	Screw Torque		Screw		
			Qty.	Size	
	in-lbs	Nm		In-Bore	mm-Bore
1008 1108	53	5.6	2	1/4" UNC	1/4" BSW
1210 1215	176	20	2	3/8" UNC	3/8" BSW
1310 1315	176	20	2	3/8" UNC	3/8" BSW
1610 1615	176	20	2	3/8" UNC	3/8" BSW
2012 2017	273	31	2	7/16" UNC	7/16" BSW
2517 2525	422	48	2	1/2" UNC	1/2" BSW
3020 3030	790	90	2	5/8" UNC	5/8" BSW
3525 3535	986	112	3	1/2" UNC	1/2" BSW
4030 4040	1454	170	3	5/8" UNC	5/8" BSW
4535 4545	1670	192	3	3/4" UNC	3/4" BSW
5040 5050	2380	271	3	7/8" UNC	7/8" BSW

Special Note:

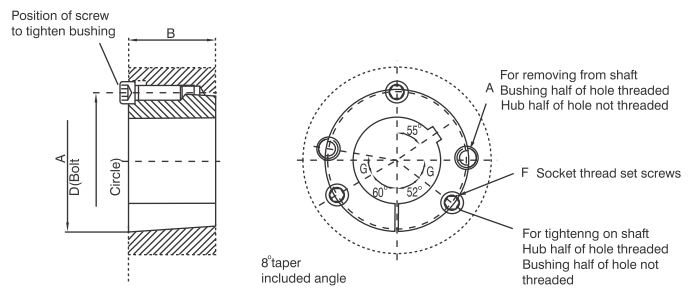
BTL bushings are manufactured in GG25 cast iron. Other materials are available upon request.

Surface coatings such as painting, black phosphating or black oxidizing are optional.

SIZES 1008 - 3030



SIZES 3535 - 5050



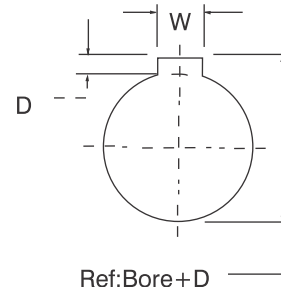
DIMENSIONS 1008 - 3030

Part No	A	B	D	Set Screws
1008	1.386	7/8	121/64	1/4 x 1/2
1108	1.511	7/8	129/64	1/4 x 1/2
1210	17/8	1	13/4	3/8 x 5/8
1215	17/8	1 1/2	13/4	3/8 x 5/8
1310	2	1	17/8	3/8 x 5/8
1610	2 1/4	1	2 1/8	3/8 x 5/8
1615	2 1/4	1 1/2	2 1/8	3/8 x 5/8
2012	2 3/4	1 1/4	2 5/8	7/16 x 7/8
2517	3 3/8	1 3/4	3 1/4	1/2 x 1
2525	3 3/8	2 1/2	3 1/4	1/2 x 1
3020	4 1/4	2	4	5/8 x 1 1/4
3030	4 1/4	3	4	5/8 x 1 1/4

DIMENSIONS 3535 - 5050

Part No	A	B	D	Set Screws	G
3535	5	3 1/2	4.83	1/2 x 1 1/2	39°
4040	5 3/4	4	5.54	5/8 x 1 3/4	40°
4545	6 3/8	4 1/2	6.13	3/4 x 2	40°
5050	7	5	6.72	7/8 x 2 1/4	37°

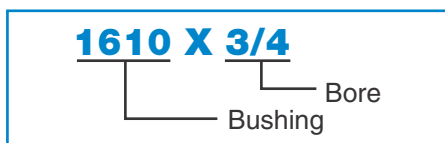
Two screws required
Three screws required



MM Bore Keyway and dimensions conform to ISO standard
Depth measured at centerline

See page 7 for Bore and Keyway width and depth dimensions

HOW TO ORDER

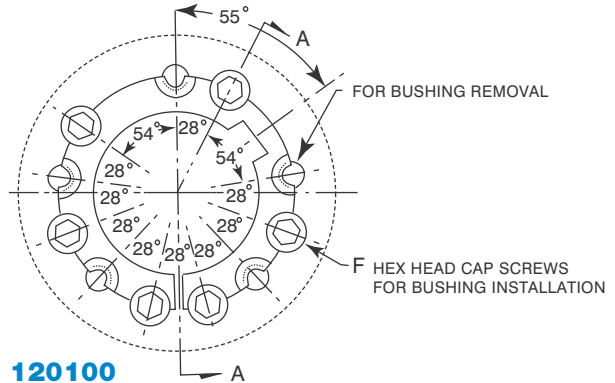
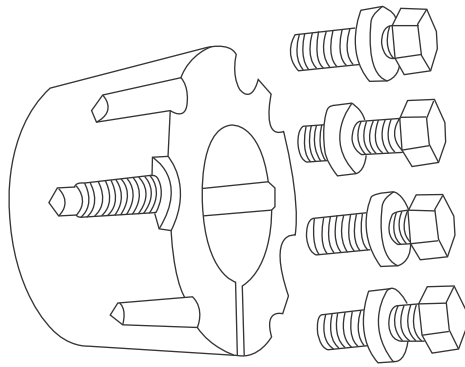


BORE AND KEYWAY DIMENSIONS

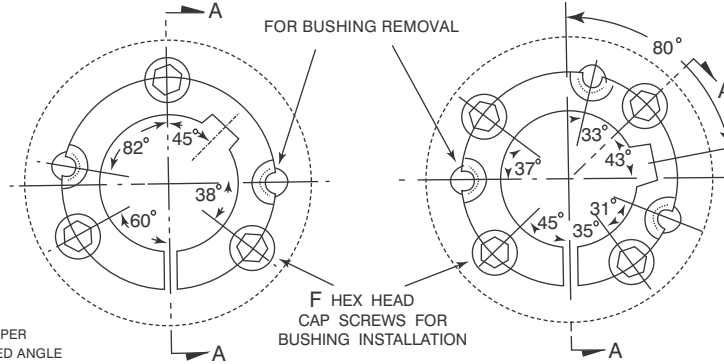
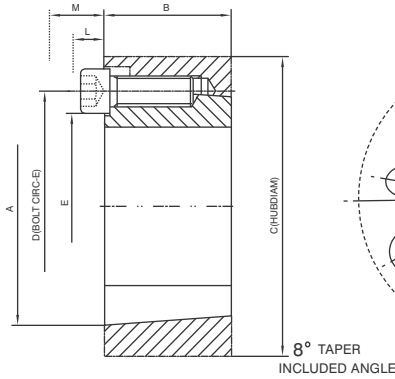
Bush No	Bore	Bushing Keyway	Bush No	Bore	Bushing Keyway	Bush No	Bore	Bushing Keyway	Bush No	Bore	Bushing Keyway	Bush No	Bore	Bushing Keyway	Bush No	Bore	Bushing Keyway		
1008	10	3x1.40	1610	14	5x2.30	2517	20	6x2.80	3020	25	8x3.30	3535	35	10x3.30	4545	55	16x4.30		
	11	4x1.80		16	5x2.30		22	6x2.80		28	8x3.30		38	10x3.30		60	18x4.40		
	12	4x1.80		18	6x2.80		24	8x3.30		30	10x3.30		40	12x3.30		65	20x4.90		
	14	5x2.30		19	6x2.80		25	8x3.30		32	10x3.30		42	12x3.30		70	20x4.90		
	16	5x2.30		20	6x2.80		28	8x3.30		35	10x3.30		45	14x3.80		75	20x4.90		
	18	6x2.80		22	6x2.80		30	8x3.30		38	10x3.30		48	14x3.80		80	22x5.40		
	19	6x2.80		24	8x3.30		32	10x3.30		40	12x3.30		50	16x4.30		85	22x5.40		
	20	6x2.80		25	8x3.30		35	10x3.30		42	12x3.30		55	16x4.30		90	25x5.4		
	22	6x2.80		28	8x3.30		38	10x3.30		45	14x3.80		60	18x4.40		95	25x5.4		
	24	8x2.00		30	10x3.30		40	12x3.30		48	14x3.80		65	18x4.40		100	28x6.40		
△	25	8x1.30	32	10x3.30	42	12x3.30	45	16x4.30	50	16x4.30	105	28x6.40							
1180	10	3x1.40	1615	14	5x2.30	2525	20	6x2.80	3030	25	8x3.30	4040	40	12x3.30	5050	60	18x4.40		
	11	4x1.80		16	5x2.30		22	6x2.80		28	8x3.30		30	8x3.30		42	12x3.30	65	20x4.90
	12	4x1.80		18	6x2.80		24	8x3.30		32	10x3.30		35	10x3.30		45	14x3.80	70	20x4.90
	14	5x2.30		19	6x2.80		25	8x3.30		38	10x3.30		48	14x3.80		50	14x3.80	75	20x4.90
	16	5x2.30		20	6x2.80		28	8x3.30		40	12x3.30		55	16x4.30		80	22x5.40		
	18	6x2.80		22	6x2.80		30	8x3.30		42	12x3.30		60	18x4.40		85	22x5.40		
	19	6x2.80		24	8x3.30		32	10x3.30		45	14x3.80		65	18x4.40		90	25x5.40		
	20	6x2.80		25	8x3.30		35	10x3.30		48	14x3.80		70	20x4.90		95	25x5.40		
	22	6x2.80		28	8x3.30		38	10x3.30		50	14x3.80		75	20x4.90		100	28x6.40		
	24	8x3.30		30	10x3.30		40	12x3.30		55	16x4.30		80	22x5.40		110	28x6.40		
△	28	8x2.00	42	12x2.20	42	12x2.20	45	16x4.30	50	16x4.30	115	28x6.40							
1210	11	4x1.80	2012	14	5x2.30	2550	20	6x2.80	3040	25	8x3.30	4050	40	12x3.30	5060	60	18x4.40		
	12	4x1.80		16	5x2.30		22	6x2.80		28	8x3.30		30	8x3.30		42	12x3.30	65	20x4.90
	14	5x2.30		18	6x2.80		24	8x3.30		32	10x3.30		35	10x3.30		45	14x3.80	70	20x4.90
	16	5x2.30		19	6x2.80		25	8x3.30		38	10x3.30		48	14x3.80		50	14x3.80	75	20x4.90
	18	6x2.80		20	6x2.80		28	8x3.30		40	12x3.30		55	16x4.30		80	22x5.40		
	19	6x2.80		22	6x2.80		30	8x3.30		42	12x3.30		60	18x4.40		85	22x5.40		
	20	6x2.80		24	8x3.30		32	10x3.30		45	14x3.80		65	18x4.40		90	25x5.40		
	22	6x2.80		25	8x3.30		35	10x3.30		48	14x3.80		70	20x4.90		95	25x5.40		
	24	8x3.30		28	8x3.30		38	10x3.30		50	14x3.80		75	20x4.90		100	28x6.40		
	25	8x3.30		30	10x3.30		40	12x3.30		55	16x4.30		80	22x5.40		110	28x6.40		
32	10x3.30	42	12x2.20	42	12x2.20	45	16x4.30	50	16x4.30	115	28x6.40								
1215	11	4x1.80	2012	14	5x2.30	2550	20	6x2.80	3040	25	8x3.30	4050	40	12x3.30	5060	60	18x4.40		
	12	4x1.80		16	5x2.30		22	6x2.80		28	8x3.30		30	8x3.30		42	12x3.30	65	20x4.90
	14	5x2.30		18	6x2.80		24	8x3.30		32	10x3.30		35	10x3.30		45	14x3.80	70	20x4.90
	16	5x2.30		19	6x2.80		25	8x3.30		38	10x3.30		48	14x3.80		50	14x3.80	75	20x4.90
	18	6x2.80		20	6x2.80		28	8x3.30		40	12x3.30		55	16x4.30		80	22x5.40		
	19	6x2.80		22	6x2.80		30	8x3.30		42	12x3.30		60	18x4.40		85	22x5.40		
	20	6x2.80		24	8x3.30		32	10x3.30		45	14x3.80		65	18x4.40		90	25x5.40		
	22	6x2.80		25	8x3.30		35	10x3.30		48	14x3.80		70	20x4.90		95	25x5.40		
	24	8x3.30		28	8x3.30		38	10x3.30		50	14x3.80		75	20x4.90		100	28x6.40		
	25	8x3.30		30	10x3.30		40	12x3.30		55	16x4.30		80	22x5.40		110	28x6.40		
32	10x3.30	42	12x2.20	42	12x2.20	45	16x4.30	50	16x4.30	115	28x6.40								
1310	14	5x2.30	2012	14	5x2.30	2550	20	6x2.80	3040	25	8x3.30	4050	40	12x3.30	5060	60	18x4.40		
	16	5x2.30		16	5x2.30		22	6x2.80		28	8x3.30		30	8x3.30		42	12x3.30	65	20x4.90
	18	6x2.80		18	6x2.80		24	8x3.30		32	10x3.30		35	10x3.30		45	14x3.80	70	20x4.90
	19	6x2.80		19	6x2.80		25	8x3.30		38	10x3.30		48	14x3.80		50	14x3.80	75	20x4.90
	20	6x2.80		20	6x2.80		28	8x3.30		40	12x3.30		55	16x4.30		80	22x5.40		
	22	6x2.80		22	6x2.80		30	8x3.30		42	12x3.30		60	18x4.40		85	22x5.40		
	24	8x3.30		24	8x3.30		32	10x3.30		45	14x3.80		65	18x4.40		90	25x5.40		
	25	8x3.30		25	8x3.30		35	10x3.30		48	14x3.80		70	20x4.90		95	25x5.40		
32	10x3.30	32	10x3.30	40	12x3.30	50	14x3.80	75	20x4.90	100	28x6.40								
35	10x3.30	35	10x3.30	42	12x3.30	55	16x4.30	80	22x5.40	110	28x6.40								

△ = shallow keyseat

SIZES 6050 - 120100



SIZE 120100



SIZE 6050

SIZES 7060 - 10085

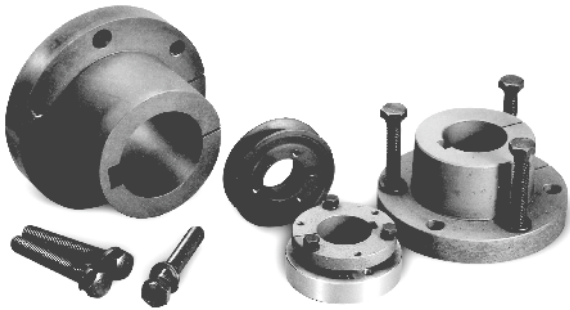
DIMENSIONS 6050 - 120100

Part No.	A	B	D	Socket Head Cap Screws	E	L	M
6050	9.250	5	9	3-1/4X3/2	63/4	15/8	43/8
7060	10.250	6	10	4-1/4X3/2	73/4	15/8	43/8
8065	11.250	6 1/2	11	4-1/4X3/2	83/4	15/8	43/8
10085	14.750	8 1/2	14 1/2	4-1/2X4 1/4	11 3/4	2	5 3/8
120100	17.250	10	17	6-1/2X4 1/4	14 1/4	2	5 3/8

BORE DIMENSIONS • METRIC/INCHES

Bush. No.	inches bore		metric bore	
	Min.	Max.	Min.	Max.
6050	47/16	6	80	150
7060	4 15/16	7	90	175
8065	57/16	8	110	200
10085	7	10	175	250
12100	8	12	200	300

Bore and keyway dimensions conform to ISO standard recommendation R773 for "free" fit



QTL TAPER BUSHINGS

Sizes JA - S

QTL “Quick Detachable” (QD*) taper bushings are manufactured in GGG40 ductile iron. The surface is phosphated and the bushings are furnished with high grade UNC bolts for a precision fit.

Type JA-E with inner bores and keyways in inches are available from stock. Type F-S and metric bushings are custom produced - please contact LEESON.

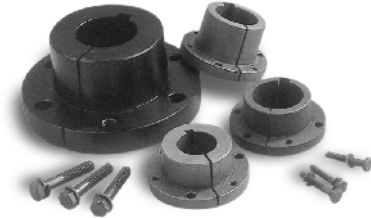
Characteristics:

- Standard configuration
- Precise and secure fit
- Easy assembly and disassembly
- Excellent shock resistance, long lifetime, for use under frequent starting and reversing situations and other severe operating conditions
- Large range of mounting between various kinds of transmission components and shafts with different diameters

*QD is a registered trademark of Emerson Electric Co.

QTL TAPER BUSHINGS

Sizes JA - S



QTL "Quick Detachable" (QD) bushings are commonly used throughout industry for convenience and design flexibility. QTL bushings are easy to install and remove. They are made of quality gray or ductile iron and are easily installed by tightening capscrews.

The bushing is inserted into a mating component that compresses the bore of the bushing. The shaft is gripped in such a way that no external keys are required. QTL bushings are easily removed by using the cap screws as well.

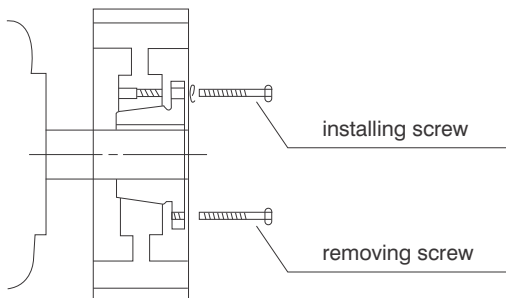
QTL bushings have two sets of holes so that they may be mounted in a conventional or reverse position. This allows cap screws to be installed through the hub or bushing flange, whichever is more convenient. No matter which way the component is installed, cap screws are always inserted from the outside where they can be easily assembled.

QTL bushings are available in stock for all popular bores.

Some power transmission products that may use QTL bushings are pulleys, sprockets, sheaves, couplings, fans, impellers, and other products that need to be shaft mounted.

TYPICAL INSTALLATION OF QTL BUSHING ON MOTOR SHAFT

CONVENTIONAL MOUNTING



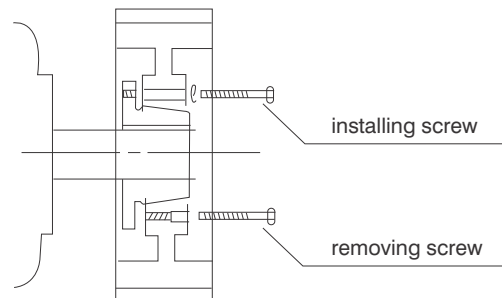
Ensure that the bushing flange is toward the motor as shown in diagram above.

To assemble, place QTL bushing in the hub and insert cap screws into the hub through drilled holes.

Finger tighten capscrews into holes in bushing flange. Slip assembled unit into desired position on shaft, flange end first. Tighten all capscrews to specified wrench torque see page 12.

To remove, reverse capscrews. As they loosen, the grip between bushing and hub will be released.

REVERSE MOUNTING



Make sure the small end of taper bushing is toward the motor as shown in diagram above.

To assemble, place cap screws into bushing flange through drilled holes.

Finger tighten the screws into the hub. Slip the assembled unit into desired position on shaft, small taper end first. Tighten all cap screws to specified wrench torque see page 12.

To remove, simply reverse cap screws. As they loosen, the grip between bushing and hub will be released.

QTL TAPER BUSHINGS

Sizes JA - S

Reversibility

QTL Bushings can be divided into two series according to reversibility.

Reversible mounting series: type JA-J have three screws and three bores on the flange.

Un-reversible mounting series: type M-W have four tapped holes on the flange and no un-tapped holes.

Type and load-bearing capacity

A bushing's load-bearing capacity is related with tightening torque and shaft size and the load-bearing capacity increases as the shaft size enlarges. If more detailed information is required please contact LEESON.

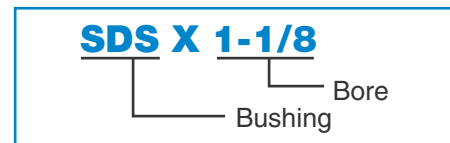
Torque capacity parameters and related screw tightening torques in the table below:

IMPORTANT: Screws must be tightened evenly. Over tightening the screws may cause the hub or sheave to crack.

TORQUE CAPACITY & SCREW TIGHTENING TORQUE

Part No	Torque Capacity		Screw Tightening Torque	
	lbf-in	N.m	lbf-in	N.m
JA	1,000	113	54	6.1
SH	3,500	396	108	12.2
SD/SDS	5,000	565	108	12.2
SK	7,000	791	180	20.3
SF	11,000	1,243	360	40.8
E	20,000	2,260	720	81.4
F	30,000	3,390	900	102
J	45,000	5,090	1,620	183
M	85,000	9,600	2,700	305
N	150,000	17,000	3,600	408
P	250,000	28,300	5,400	610
W	375,000	42,400	7,200	814
S	625,000	70,600	9,000	1,020

HOW TO ORDER



Selection

Peak torque ratings must not exceed torque ratings shown in the chart above. Capacity values shown are for S.F. 1 Light loading start, work even.

For more severe duty divide torque capacity by the service factor (K) shown in the chart.

K	Load type
1.0	light loading start,work even
1.5	light loading start,work uneven
2.0	medium loading start,work even or uneven
2.5	light or heavy loading start,medium shock
3.0	lighty or heavy loading start,heavy shock or rotating

Working torque on shaft: $T=63025N/n$ (lbf.in) N-transmission torque (horse);

n-shaft revolutions per minute(RPM)

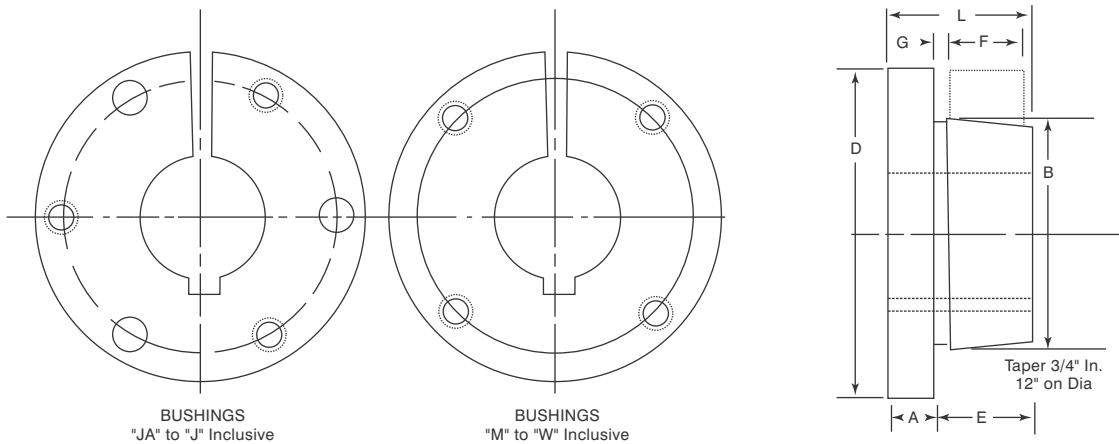
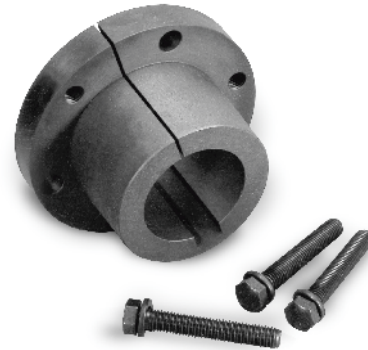
Calculation torque $TO=KT$,K-loading coefficient.
When selecting bushing type, it should comply with $TH < TO$. Bushing torque capacity can be determined from the given table.

QTL TAPER BUSHINGS

Sizes JA - S

The QTL "Quick Detachable" (QD) bushings fit easily over the taper hub. A tight fit can be produced on the shaft by tightening the cap screws to the recommended torque. The bushing is easily removable from the hub by using the pull-up bolts as jack screws in the holes tapped in the rim of the bushing.

All hubs, from "JA" to "J" are drilled for reverse mounting.



STOCK QTL BUSHINGS DIMENSIONS

Part No.	DIMENSIONS (Inches)								Cap Screws Required	STOCK BORE RANGE			Average Weight (Approx.)
	A	B	D	E	* F	** G	L	Bolt Circle		Minimum	MAXIMUM		
											Standard Keyway	Shallow Keyway	
JA	5/16	1.375	2	11/16	9/16	0.20	1	1.656	3-10x1	3/8	1	13/16	0.9
SH	7/16	1.871	2 11/16	7/8	13/16	0.23	15/16	2 1/4	3-1/4x13/8	1/2	13/8	15/8	1.0
SDS	7/16	2.187	3 1/8	7/8	3/4	0.23	15/16	2 11/16	3-1/4x13/8	1/2	15/8	1 15/16	1.0
SD	7/16	2.187	3 1/8	13/8	1 3/4	0.23	1 13/16	2 11/16	3-1/4x17/8	1/2	15/8	1 15/16	1.5
SK	9/16	2.812	3 7/8	13/8	1 1/4	0.23	1 15/16	3 5/16	3-5/16x2	1/2	2 1/8	2 1/2	2.0
SF	5/8	3.125	4 5/8	1 7/16	1 1/4	0.23	2 1/16	3 7/8	3-3/8x2	1/2	2 1/4	2 7/8	4.0
E	7/8	3.834	6	1 7/8	1 5/8	0.28	2 3/4	5	3-1/2x2 3/4	7/8	2 7/8	3 1/2	10.5
F	1	4.437	6 5/8	2 3/4	2 1/2	0.34	3 3/4	5 5/8	3-9/16x3 5/8	1	3 1/4	3 15/16	15
J	1 1/8	5.148	7 1/4	3 1/2	3 3/16	0.31	4 5/8	6 1/4	3-5/8x4 1/2	1 1/2	3 13/16	4 1/2	23
M	1 1/4	6.494	9	5 1/2	5 3/16	0.34	6 3/4	7 7/8	4-3/4x6 3/4	2	4 11/16	5 1/2	55
N	1 1/2	6.992	10	6 5/8	6 1/4	0.56	8 1/8	8 1/2	4-7/8x8	2 7/16	5 1/16	5 7/8	73
P+	1 3/4	8.242	11 3/4	7 5/8	7 1/4	0.63	9 3/8	10	4-1x9 1/2	2 15/16	5 13/16	7	120
W+	2	10.437	15	9 3/8	9	0.69	11 3/8	12 3/4	4-1 1/8x11 1/2	4	7 1/2	8 1/2	250
S+	3 1/4	12.125	17 3/4	12 1/2	12	0.75	15 3/4	15	5-1 1/4x15 1/2	6	8 1/4	10	400

+ Consult LEESON for delivery

* F = Length of Mating Bore

** G = Gap Between " QTL " Bushing and Mating Hub

A1 • BORE AND KEYWAY DIMENSIONS

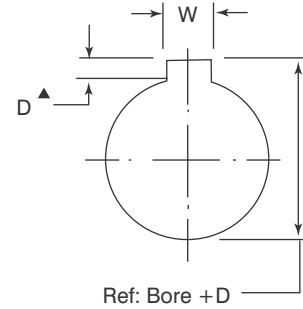
USAS B 17.1 1967

Bush	Bore	Keyway	Bush	Bore	Keyway	Bush	Bore	Keyway	Bush	Bore	Keyway	Bush	Bore	Keyway	Bush	Bore	Keyway									
JA	3/8	None	△ △ SDS SD	17/8	1/2x1/16	SF △ △ △ △ △ △ △ △ △ △	17/16	3/8x3/16	E △ △ △ △ △ △ △ △ △	2 13/16	3/4x3/8	M	11/2	3/8x3/16	213/16	27/8	213/16	27/8								
	7/16	1/8x1/16		115/16	2		None			11/2	15/8		25/16						3	3/4x3/8						
	1/2		2	None			19/16						2 15/16								15/8			25/16		
	9/16		2	None			15/8						3								111/16			3		
	5/8		1/2	1/8x1/16			111/16						3 1/8						3/4x1/8		13/4			31/8		
	11/16		5/8				113/16						33/16								113/16			33/16		
	3/4	3/16x3/32	11/16				113/16						35/16								17/8			35/16		
	13/16		3/4	3/16x3/32			115/16						37/16								115/16			33/8		
	7/8		13/16				2			1/2x1/4			37/16								2	1/2x1/4		37/16		
	15/16		7/8				21/16						31/2								21/16			31/2		
1	1/4x1/8	7/8			2 1/8			1			21/8			31/2												
△		15/16			2 3/16			11/16			23/16			35/8												
△		1			2 3/16			11/8	1/4x1/8		21/4			33/4												
△		11/16	1/4x1/8		2 1/4			13/16			25/16			37/8												
	None	11/8			2 5/16			11/8			23/8			315/16												
		13/16			2 3/8	5/8x3/16		13/16			27/16			4												
		11/4			2 7/16			11/4			11/4			41/8												
		1/2	1/8x1/16		2 7/16			15/16	5/16x5/32		21/2			43/16	1x1/2											
		5/8			2 1/2			13/8			29/16			41/4												
		11/16			2 9/16	5/16x5/32		17/16			25/8			43/8												
		3/4	3/16x3/32		2 5/8			11/2			211/16			47/16												
		13/16			2 11/16	3/8x3/16		19/16			23/4			41/2												
		7/8			2 3/4			15/8	3/8x3/16		213/16			45/8	11/4x5/8											
		15/16			2 3/4			111/16			27/8			43/4												
		1			2 7/8			13/4			215/16			4 7/8												
		11/16			2 7/8			113/16			3	3/4x3/8	△	4 15/16												
		11/8			7/8	3/16x3/32		17/8			31/8		△	5	11/4x1/4											
		13/16			15/16			115/16			33/16		△	51/4												
		11/4			1	1/2x1/4		2			31/4		△	5 3/8												
		15/16			2			2 1/16	1/2x1/4		35/16		△	5 7/16												
		13/8	5/16x5/32		21/16			21/8			33/8		△	5 1/2												
		17/16			21/8	1/4x1/8		23/16			37/16		△	2 7/16												
		11/2			21/8			21/4			31/2	7/8x7/16	△	2 1/2												
		19/16	3/8x1/16		11/4	1/2x1/8		2 5/16			35/8		△	2 9/16												
		15/8			25/16			2 3/8			33/4		△	2 5/8												
		111/16	None		23/8			2 7/16			37/8		△	211/16												
		1/2	1/8x1/16		27/16	5/8x1/16		2 7/16			315/16		△	23/4												
		9/16			21/2			29/16			4		△	213/16												
		5/8			29/16	None		21/2	5/8x5/16		41/8	1x1/8	△	2 7/8												
		11/16			25/8			2 5/8			43/8		△	215/16												
		3/4	3/16x3/32		1/2	1/8x1/16		211/16			47/16		△	3	3/4x3/8											
		13/16			9/16			2 3/4			41/2		△	31/8												
		7/8			5/8			2 7/8			2		△	33/16												
		15/16			11/16	3/16x3/32		215/16	3/4x3/8		2 1/16	1/2x1/4	△	31/4												
		1			3/4			3			2 1/8		△	35/16												
		11/16			13/16			31/8			2 3/16		△	3 3/8												
		1 1/8	1/4x1/8		7/8			33/16			2 1/4		△	3 7/16	7/8x7/16											
		1 3/16			15/16			31/4			2 5/16		△	3 1/2												
		11/4			1	1/4x1/8		35/16			2 3/8		△	3 5/8												
		1 5/16	5/16x5/32		11/16			37/16	7/8x3/16		2 7/16		△	33/4												
		13/8			11/8			31/2			2 1/2	5/8x5/16	△	3 1/8												
		17/16			13/16			31/2			2 9/16		△	3 15/16												
		11/2	3/8x3/16		11/4			3 5/8			2 5/8		△	4	1x1/2											
		19/16			15/16	5/16x5/32		3 3/4			2 11/16		△	41/8												
		15/8			13/8			37/8	1x1/8		2 3/4		△	43/16												
		111/16						315/16					△	41/4												
		1 3/4	3/8x1/8					4	None				△	43/8												
		113/16	1/2x1/8										△													

△ = shallow keyseat

A2 • BORE AND KEYWAY DIMENSIONS

Bush	Bore	Keyway	Bush	Bore	Keyway	Bush	Bore	Keyway	Bush	Bore	Keyway		
N	4 7/16	1x1/2	P	3 7/8	1x1/2	W	6 5/8	13/4x1/8	W	6 5/8	13/4x7/8		
	4 1/2			3 15/16			6 3/4			6 3/4			
	4 5/8			4			6 7/8			6 7/8			
	4 3/4	1 1/4x5/8		4 1/8	1x1/2		4	2x1/4		7	8	7	8
	4 7/8			4 3/16			4 1/4			4 1/8		7 1/4	
	4 15/16			4 1/4			4 3/8			4 3/16		7 3/8	
	5	1 1/4x1/4		4 3/8	1 1/2x3/4		4 3/8	1 1/2x3/4		4 1/2	1 1/2x3/4	7 1/2	1 1/2x3/4
	5 1/4			4 7/8			4 1/2			4 1/2		7 5/8	
	5 3/8			4 15/16			4 3/4			4 3/4		7 3/4	
	5 7/16	1 1/2x1/4		4 5/8	1 1/2x3/4		4 5/8	1 1/2x3/4		4 7/16	1 1/2x3/4	7 7/8	1 1/2x3/4
	5 1/2			5 1/4			4 7/8			4 1/2		8	
	5 5/8			5 3/8			4 7/8			4 5/8		8 1/4	
5 3/4	7/8x7/16	5 7/16	1 1/2x3/4	5 7/16	1 1/2x3/4	4 3/4	1 1/2x3/4	8 3/8	1 1/2x3/4				
5 7/8		5 1/2		5 7/16		4 7/8		8 1/2					
2 15/16		5 5/8		5 1/2		4 15/16							
3	3/4x3/8	3 1/8	1 1/2x3/4	5	1 1/2x3/4	5	1 1/2x3/4		1 1/2x3/4				
3 3/16		5 7/16		5 3/8		5 3/8							
3 1/4		5 1/2		5 7/16		5 3/8							
3 5/16	7/8x7/16	3 5/8	1 1/2x3/4	5 7/16	1 1/2x3/4	5 1/2	1 1/2x3/4		1 1/2x3/4				
3 7/16		5 3/4		5 1/2		5 1/2							
3 1/2		5 7/8		5 1/2		5 1/2							
3 5/8	7/8x7/16	3 3/4	1 1/2x3/4	5 15/16	1 1/2x3/4	5 3/4	1 1/2x3/4		1 1/2x3/4				
3 3/4		6		5 7/8		5 3/4							
		6 1/4		5 15/16		5 7/8							
				6 3/8		6							
				6 1/2		6 1/4							
						6 3/8							
						6 1/2							



ISO STANDARD METHOD FOR MEASURING KEYSEAT DEPTH

▲ Depth measured at center line

See page 14 and 15 for Bore and Keyway width and depth dimensions

△ = shallow keyseat

BORE RANGE • QTL

Bush No.	Min. Bore	Max. Bore with:		
		Full Keyway	Shallow Keyway	No Keyway
JA	3/8	1	13/16	1 1/4
SH	1/2	13/8	1 5/8	1 11/16
SDS	1/2	1 5/8	1 15/16	2
SD	1/2	1 5/8	1 15/16	2
SK	1/2	2 1/8	2 1/2	2 5/8 2 9/16
SF	1/2	2 1/4	2 7/8	2 15/16
E	7/8	2 7/8	3 1/2	—
F	1	3 1/4	3 15/16	4
J	1 1/2	3 13/16	4 1/2	—
M	2	4 11/16	5 1/2	—
N	2 7/16	5 1/16	5 7/8	—
P	2 15/16	5 13/16	7	—
W	4	7 1/2	8 1/2	—
S	6	8 1/4	10	—

SHALLOW KEY DIMENSION

Key Seat	Key	Key Seat	Key
3/8x1/16	3/8x1/4	7/8x3/16	7/8x5/8
3/8x1/8	3/8x5/16	1x1/16	1x9/16
1/2x1/32	1/2x9/32	1x1/8	1x5/8
1/2x1/16	1/2x5/16	1 1/4x1/4	1 1/4x3/4
1/2x1/8	1/2x3/8	1 1/4x1/4	1 1/4x7/8
5/8x1/16	5/8x3/8	1 1/2x1/8	1 1/2x1
5/8x3/16	5/8x1/2	1 3/4x3/8	1 3/4x3/4
3/4x1/8	3/4x1/2	1 3/4x3/8	1 3/4x1
7/8x1/16	7/8x1/2	2x5/16	2x1

Dimensions: inch

STANDARD KEYWAY & KEY DIMENSION

Bores	Key Seat	Key
1/2-9/16	1/8x1/16	1/8x1/8
5/8-7/8	3/16x3/32	3/16x3/16
15/16-1 1/4	1/4x1/8	1/4x1/4
1 5/16-1 3/8	5/16x5/32	5/16x5/16
1 7/16-1 3/4	3/8x3/16	3/8x3/8
1 13/16-2 1/4	1/2x1/4	1/2x1/2
2 5/16-2 3/4	5/8x5/16	5/8x5/8
2 13/16-3 1/4	3/4x3/8	3/4x3/4
3 5/16-3 3/4	7/8x7/16	7/8x7/8
3 13/16-4 1/2	1x1/2	1x1
4 9/16-5 1/2	1 1/4x5/8	1 1/4x1 1/4
5 9/16-6 1/2	1 1/2x3/4	1 1/2x1 1/2
6 9/16-7 1/2	1 3/4x7/8	1 3/4x1 3/4

Dimensions: inch

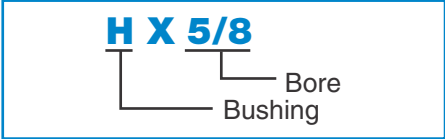


STL TAPER BUSHINGS

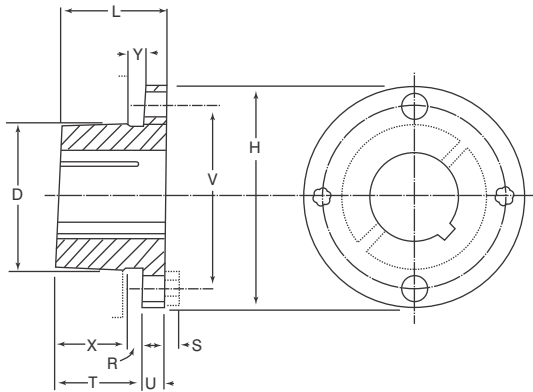
STL Taper bushings are made of malleable cast iron with keys on both shaft and hub. They feature high torque carrying capacity. The external key provides enough force to eliminate torque on the capscrews. The double split barrel assures a true concentric grip.

The standard bore sizes are from 3/8"-10".

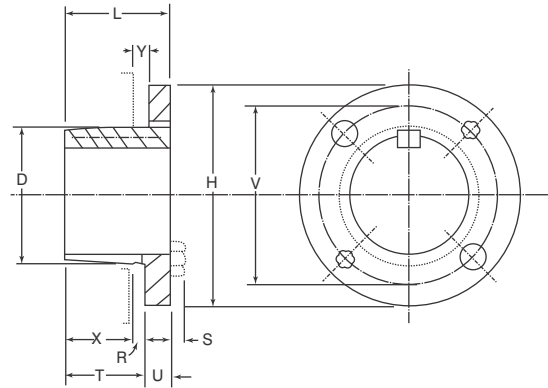
HOW TO ORDER



G-H



TYPE 1



TYPE 2

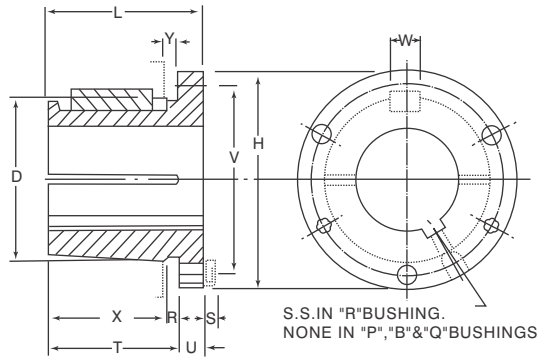
TYPE 1 • BUSHING SPECIFICATIONS

Part No.	Dimensions												Type 1 Bore Range	Cap Screws		Avg. Wgt. Lbs.	Wrench Torque In. -Lbs.
	L	U	T	D		H	V	W	X	Y	R	S		No.	Size		
				Large End	Small End												
G	1"	1/4"	3/4"	1.172"	1.133"	2"	19/16"	—	5/8"	3/16"	1/8"	3/16"	3/8" - 15/16"	2	1/4" x 5/8"	0.5	95
H	1 1/4"	1/4"	1"	1.625"	1.570"	2 1/2"	2"	—	7/8"	3/16"	1/8"	3/16"	3/8" - 13/8"	2	1/4" x 3/4"	0.8	95

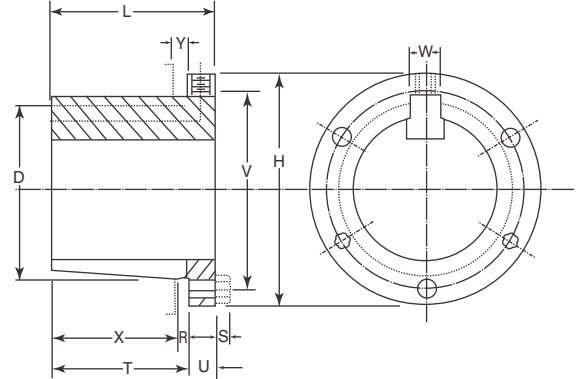
TYPE 2 • BUSHING SPECIFICATIONS

Part No.	Dimensions												Type 2 Bore Range	Cap Screws		Avg. Wgt. Lbs.	Wrench Torque In. -Lbs.
	L	U	T	D		H	V	W	X	Y	R	S		No.	Size		
				Large End	Small End												
G	1"	1/4"	3/4"	1.172"	1.133"	2"	19/16"	—	5/8"	3/16"	1/8"	3/16"	1"	2	1/4" x 5/8"	0.5	95
H	1 1/4"	1/4"	1"	1.625"	1.570"	2 1/2"	2"	—	7/8"	3/16"	1/8"	3/16"	17/16" - 1 1/2"	2	1/4" x 3/4"	0.8	95

P-R



TYPE 1



TYPE 2

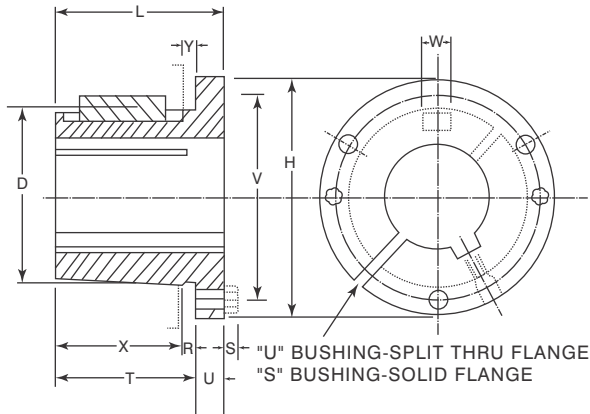
TYPE 1 • BUSHING SPECIFICATIONS

Part No.	Dimensions												Type 1 Bore Range	Cap Screws		Avg. Wgt. Lbs.	Wrench Torque In. -Lbs.
	L	U	T	D		H	V	W	X	Y	R	S		No.	Size		
				Large End	Small End												
P1	1 15/16	13/32	1 17/32	1.9375	1.8555	3"	27/16	3/8"	15/16	7/32	7/32	1/4	1/2 - 17/16	3	5/16 x 1	1.3	192
P2	2 15/16	13/32	2 17/32	1.9375	1.7930	3"	27/16	3/8	25/16	7/32	7/32	1/4	3/4 - 17/16	3	5/16 x 1	1.5	192
P3	4 7/16	13/32	4 1/32	1.9375	1.6993	3"	27/16	3/8	3 13/16	7/32	7/32	1/4	1 1/8 - 13/8	3	5/16 x 1	2	192
B	1 15/16	1/2	1 7/16	2.625	2.5567	3 11/16	3 1/8	1/2	13/16	7/32	1/4	1/4	1/2 1 - 15/16	3	5/16 x 1 1/4	1.8	192
Q1	2 1/2	17/32	2 31/32	2.875	2.7657	4 1/8	3 3/8	1/2	13/4	7/32	7/32	9/32	3/4 - 21/16	3	3/8 x 1 1/4	3.5	348
Q2	3 1/2	17/32	3 31/32	2.875	2.7032	4 1/8	3 3/8	1/2	23/4	7/32	7/32	9/32	1" - 21/16	3	3/8 x 1 1/4	4.5	348
Q3	5	17/32	4 15/32	2.875	2.6094	4 1/8	3 3/8	1/2	4 1/4	7/32	7/32	9/32	1 3/8 - 21/16	3	3/8 x 1 1/4	5.5	348
R1	2 7/8	5/8	2 1/4	4.000	3.8750	5 3/8	4 5/8	3/4	2"	1/4	1/4	9/32	1 1/8 - 213/16	3	3/8 x 1 3/4	7.5	348
R2	4 7/8	5/8	4 1/4	4.000	3.7500	5 3/8	4 5/8	3/4	4"	1/4	1/4	9/32	1 3/8 - 213/16	3	3/8 x 1 3/4	11	348

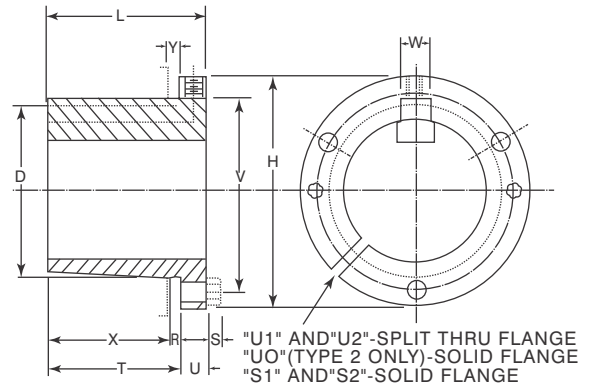
TYPE 2 • BUSHING SPECIFICATIONS

Part No.	Dimensions												Type 2 Bore Range	Cap Screws		Avg. Wgt. Lbs.	Wrench Torque In. -Lbs.
	L	U	T	D		H	V	W	X	Y	R	S		No.	Size		
				Large End	Small End												
P1	1 15/16	13/32	1 17/32	1.9375	1.8555	3	27/16	3/8"	15/16	7/32	7/32	1/4	1 1/2 - 13/4	3	5/16 x 1	1.3	192
P2	2 15/16	13/32	2 17/32	1.9375	1.7930	3	27/16	3/8	25/16	7/32	7/32	1/4	1 1/2 - 13/4	3	5/16 x 1	1.5	192
P3	4 7/16	13/32	4 1/32	1.9375	1.6993	3	27/16	3/8	3 13/16	7/32	7/32	1/4	15/8	3	5/16 x 1	2	192
B	1 15/16	1/2	1 7/16	2.625	2.5567	3 11/16	3 1/8	1/2	13/16	7/32	1/4	1/4	2 - 27/16	3	5/16 x 1 1/4	1.8	192
Q1	2 1/2	17/32	2 31/32	2.875	2.7657	4 1/8	3 3/8	1/2	13/4	7/32	7/32	9/32	2 1/8 - 2 11/16	3	3/8 x 1 1/4	3.5	348
Q2	3 1/2	17/32	3 31/32	2.875	2.7032	4 1/8	3 3/8	1/2	23/4	7/32	7/32	9/32	2 1/8 - 25/8	3	3/8 x 1 1/4	4.5	348
Q3	5	17/32	4 15/32	2.875	2.6094	4 1/8	3 3/8	1/2	4 1/4	7/32	7/32	9/32	2 1/8 - 2 1/2	3	3/8 x 1 1/4	5.5	348
R1	2 7/8	5/8	2 1/4	4.000	3.8750	5 3/8	4 5/8	3/4	2	1/4	1/4	9/32	2 7/8 - 33/4	3	3/8 x 1 3/4	7.5	348
R2	4 7/8	5/8	4 1/4	4.000	3.7500	5 3/8	4 5/8	3/4	4	1/4	1/4	9/32	2 7/8 - 35/8	3	3/8 x 1 3/4	11	348

S-U



TYPE 1



TYPE 2

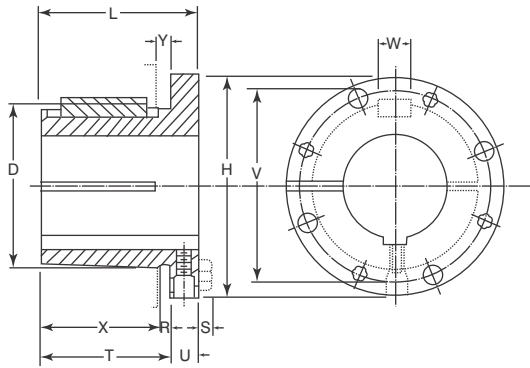
TYPE 1 • BUSHING SPECIFICATIONS

Part No.	Dimensions												Type 1 Bore Range	Cap Screws		Avg. Wgt. Lbs.	Wrench Torque In. -Lbs.
	L	U	T	D		H	V	W	X	Y	R	S		No.	Size		
				Large End	Small End												
S1	43/8	3/4	35/8	4.625	4.4180	63/8	53/8	3/4	35/16	5/16	5/16	3/8	111/16 - 33/16	3	1/2 x 21/4	13.5	840
S2	63/4	3/4	6"	4.625	4.2696	63/8	53/8	3/4	511/16	5/16	5/16	3/8	17/8 - 33/16	3	1/2 x 21/4	19	840
U0	51/4	11/16	43/16	6.000	5.7656	83/8	7"	11/4	33/4	7/16	7/16	15/32	23/8 - 31/16	3	5/8 x 23/4	30	1680
U0	415/16	3/4	43/16	6.000	5.7656	83/8	7"	11/4	33/4	7/16	7/16	15/32	31/4 - 41/4	3	5/8 x 23/4	27	1680
U1	71/8	11/16	61/16	6.000	5.6485	83/8	7"	11/4	55/8	7/16	7/16	15/32	23/8 - 41/4	3	5/8 x 23/4	40	1680
U2	101/8	11/16	91/16	6.000	5.4610	83/8	7"	11/4	85/8	7/16	7/16	15/32	27/16 - 41/4	3	5/8 x 23/4	50	1680

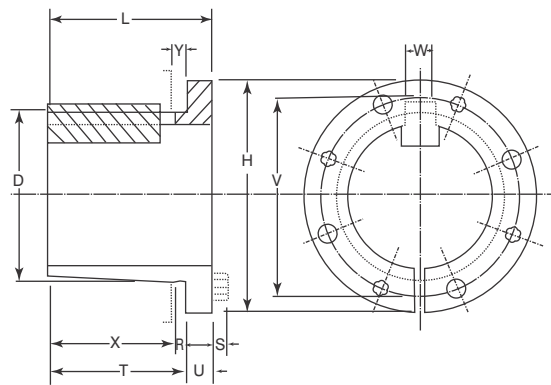
TYPE 2 • BUSHING SPECIFICATIONS

Part No.	Dimensions												Type 2 Bore Range	Cap Screws		Avg. Wgt. Lbs.	Wrench Torque In. -Lbs.
	L	U	T	D		H	V	W	X	Y	R	S		No.	Size		
				Large End	Small End												
S1	43/8	3/4	35/8	4.625	4.4180	63/8	53/8	3/4	35/16	5/16	5/16	3/8	31/4 - 41/4	3	1/2 x 21/4	13.5	840
S2	63/4	3/4	6	4.625	4.2696	63/8	53/8	3/4	511/16	5/16	5/16	3/8	31/4 - 43/16	3	1/2 x 21/4	19	840
U0	51/4	11/16	43/16	6.000	5.7656	83/8	7	11/4	33/4	7/16	7/16	15/32	—	3	5/8 x 23/4	30	1680
U0	415/16	3/4	43/16	6.000	5.7656	83/8	7	11/4	33/4	7/16	7/16	15/32	43/8 - 51/2	3	5/8 x 23/4	27	1680
U1	71/8	11/16	61/16	6.000	5.6485	83/8	7	11/4	55/8	7/16	7/16	15/32	43/8 - 51/2	3	5/8 x 23/4	40	1680
U2	101/8	11/16	91/16	6.000	5.4610	83/8	7	11/4	85/8	7/16	7/16	15/32	43/8 - 5	3	5/8 x 23/4	50	1680

W-Y



TYPE 1



TYPE 2

TYPE 1 • BUSHING SPECIFICATIONS

Part No.	Dimensions												Type 1 Bore Range	Cap Screws		Avg. Wgt. Lbs.	Wrench Torque In. -Lbs.
	L	U	T	D		H	V	W	X	Y	R	S		No.	Size		
				Large End	Small End												
W1	8 1/4	1 7/16	6 13/16	8.500	8.1016	12 1/2	10"	1 1/4	6 3/8	7/16	7/16	9/16	3 3/8 - 6 3/16	4	3/4 x 3	104	3000
W2	11 1/4	1 7/16	9 13/16	8.500	7.9141	12 1/2	10"	1 1/4	9 3/8	7/16	7/16	9/16	3 3/8 - 6 3/16	4	3/4 x 3	133	3000
Y0*	11 1/8	2"	9 1/8	12.000	11.4688	16 1/2	14 1/2	2	8 1/2	5/8	5/8	5/8	6 - 7 15/16	4	1 x 5	270	7200

TYPE 2 • BUSHING SPECIFICATIONS

Part No.	Dimensions												Type 2 Bore Range	Cap Screws		Avg. Wgt. Lbs.	Wrench Torque In. -Lbs.
	L	U	T	D		H	V	W	X	Y	R	S		No.	Size		
				Large End	Small End												
W1	8 1/4	1 7/16	6 13/16	8.500	8.1016	12 1/2	10	1 1/4	6 3/8	7/16	7/16	9/16	6 1/4 - 7 7/16	4	3/4 x 3	104	3000
W2	11 1/4	1 7/16	9 13/16	8.500	7.9141	12 1/2	10	1 1/4	9 3/8	7/16	7/16	9/16	6 1/4 - 7 7/16	4	3/4 x 3	133	3000
Y0*	11 1/8	2	9 1/8	12.000	11.4688	16 1/2	14 1/2	2	8 1/2	5/8	5/8	5/8	8 - 10	4	1 x 5	270	7200

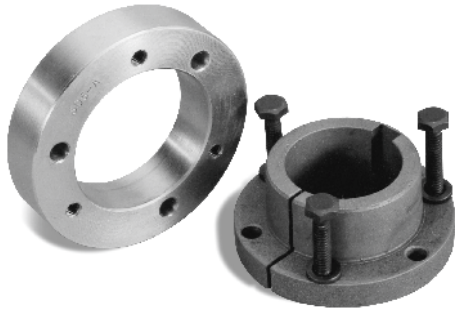
A1 • BORE AND KEYWAY DIMENSIONS

△ = shallow keyseat

Bush	Bore	Keyway	Bush	Bore	Keyway	Bush	Bore	Keyway	Bush	Bore	Keyway	Bush	Bore	Keyway	Bush	Bore	Keyway				
G	3/8	None	P ₂	3/4	3/16x3/32	Q ₁	15/16	1/4x1/8	Q ₃	17/16	3/8x3/16	R ₂	13/8	5/16x5/32	S ₁	31/2	7/8x7/16				
	7/16			13/16			1			11/16			11/2	17/16		31/2					
	1/2			7/8			11/8			19/16			15/8	11/16		35/8					
	9/16	1/8x1/16		15/16	1/4x1/8		13/16	5/16x5/32		113/16	1/2x1/4		19/16	3/8x3/16		25/16	1/2x1/4	311/16	1x1/2	37/8	1x1/2
	5/8			11/16			13/8			113/16			17/8			315/16					
	11/16			11/8			17/16			115/16			21/8			33/4					
	3/4	3/16x3/32		13/16	5/16x5/32		11/4	3/8x3/16		2	1/2x1/4		111/16	1/2x1/4		41/8	5/8x5/16	4	5/8x5/16	43/16	5/8x5/16
	13/16			15/8			21/16			21/8			41/4								
	7/8			11/4			23/16			21/4			41/4								
	15/16	1/4x1/8		15/16	5/16x5/32		11/2	3/8x3/16		21/16	5/8x5/16		2	1/2x1/4		17/8	5/8x5/16	2	1/2x1/4	17/8	5/8x5/16
1	13/8		11/8	21/8		21/16	115/16		2												
3/8	17/16		13/8	23/16		21/8	21/16		2												
7/16	None	11/2	3/8x3/16	13/4	1/2x1/4	21/4	5/8x5/16	21/8	1/2x1/4	21/8	5/8x5/16	21/8	1/2x1/4	2	1/2x1/4						
1/2		11/2		21/8		21/8		21/8													
9/16		19/16		23/16		21/4		21/8													
19/32	1/8x1/16	15/8	3/8x3/16	113/16	1/2x1/4	25/16	5/8x5/16	25/16	5/8x5/16	23/16	5/8x5/16	25/16	5/8x5/16	21/16	5/8x5/16						
5/8		111/16		11/8		21/8		21/16		23/8		21/2		23/8							
21/32		13/4		21/8		23/16		27/16		21/2		29/16		27/16							
31/32	3/16x3/32	11/8	1/4x1/8	11/8	5/8x5/16	21/16	3/8x3/16	11/8	3/4x3/8	21/2	3/4x3/8	21/2	3/4x3/8	21/16	3/4x3/8						
11/16		15/8		21/8		19/16		21/8		21/16		21/8									
3/4		111/16		23/16		21/2		21/8		21/16		21/8									
25/32	1/4x1/8	13/4	3/16x3/32	29/16	5/8x5/16	29/16	3/8x3/16	11/16	3/4x3/8	25/8	3/4x3/8	25/8	3/4x3/8	21/2	3/4x3/8						
13/16		7/8		211/16		113/16		31/8		29/16		21/16									
7/8		11/4		211/16		113/16		31/8		29/16		21/16									
15/16	5/16x5/32	1	1/4x1/8	1	5/8x5/16	1	3/8x3/16	17/16	3/4x3/8	213/16	3/4x3/8	213/16	3/4x3/8	25/16	3/4x3/8						
13/8		11/16		11/16		11/2		213/16		213/16											
13/8		11/8		13/16		19/16		215/16		213/16											
17/16	3/8x3/16	13/16	1/4x1/8	11/4	5/8x5/16	29/16	3/8x3/16	15/8	3/4x3/8	3	3/4x3/8	27/8	3/4x3/8	27/8	3/4x3/8						
11/2		11/4		11/4		29/16		31/8		27/8											
11/2		11/4		11/4		25/8		31/8		27/8											
△	△	15/16	1/4x1/8	1	5/8x5/16	1	3/8x3/16	113/16	3/4x3/8	31/16	3/4x3/8	31/16	3/4x3/8	31/8	3/4x3/8						
△		13/8		11/16		11/16		113/16		31/8											
△		17/16		13/16		11/4		113/16		31/8											
P ₁	1/2	1/8x1/16	B	15/16	5/16x5/32	Q ₂	11/16	1/4x1/8	Q ₂	17/16	1/2x1/4	S ₁	111/16	3/8x3/16	U ₀	31/2	7/8x7/16				
	9/16			13/8			11/16			17/16			115/16			311/16					
	5/8			11/8			11/8			11/25			311/16			311/16					
	21/32	3/16x3/32		17/16	3/8x5/32		13/8	3/8x3/16		23/16	5/8x5/16		25/16	1/2x1/4		17/8	5/8x5/16	17/8	5/8x5/16	37/8	5/8x5/16
	11/16			11/2			11/16			19/16			21/16			37/8					
	3/4			19/16			111/16			27/16			315/16			37/8					
	25/32	1/4x1/8		15/8	1/2x1/4		13/4	5/8x5/16		21/2	3/4x3/8		21/2	1/2x1/4		2	3/4x3/8	2	3/4x3/8	4	1x1/2
	13/16			111/16			113/16			29/16			41/8								
	7/8			13/4			17/8			25/8			43/16								
	15/16	5/16x5/32		113/16	1/2x1/4		115/16	5/8x5/16		21/16	3/4x3/8		211/16	5/8x5/16		21/8	5/8x5/16	21/8	5/8x5/16	23/8	5/8x5/16
	31/32			17/8			115/16			21/16			27/16			27/16					
	1			115/16			21/16			21/16			27/8			27/16					
	11/16	1/4x1/8		2	1/2x1/4		21/8	5/8x5/16		21/8	3/4x3/8		215/16	5/8x5/16		21/2	3/4x3/8	21/2	3/4x3/8	29/16	5/8x5/16
	11/8			21/16			21/8			27/16			29/16			29/16					
	13/16			21/8			23/16			27/16			25/8			29/16					
	11/4	3/8x3/16		23/16	3/16x3/32		21/4	5/8x5/16		21/4	3/4x3/8		31/8	3/4x3/8		25/8	3/4x3/8	25/8	3/4x3/8	211/16	3/4x3/8
	15/16			21/4			25/16			211/16			211/16								
	13/8			21/4			23/8			211/16			211/16								
△	△	23/8	5/8x5/16	21/2	5/8x5/16	37/16	7/8x7/16	33/16	7/8x7/16	27/8	7/8x7/16	27/8	7/8x7/16	27/8	7/8x7/16						
△		17/16		21/2		37/16		215/16													
△		11/2		211/16		31/2		215/16													
19/16	3/8x3/16	3/4	3/16x3/32	25/8	5/16x5/32	35/8	5/16x5/32	311/16	5/16x5/32	31/8	5/16x5/32	31/8	5/16x5/32	27/8	5/16x5/32						
15/8		13/16		15/16		311/16		31/8													
111/16		7/8		13/8		33/4		33/4													

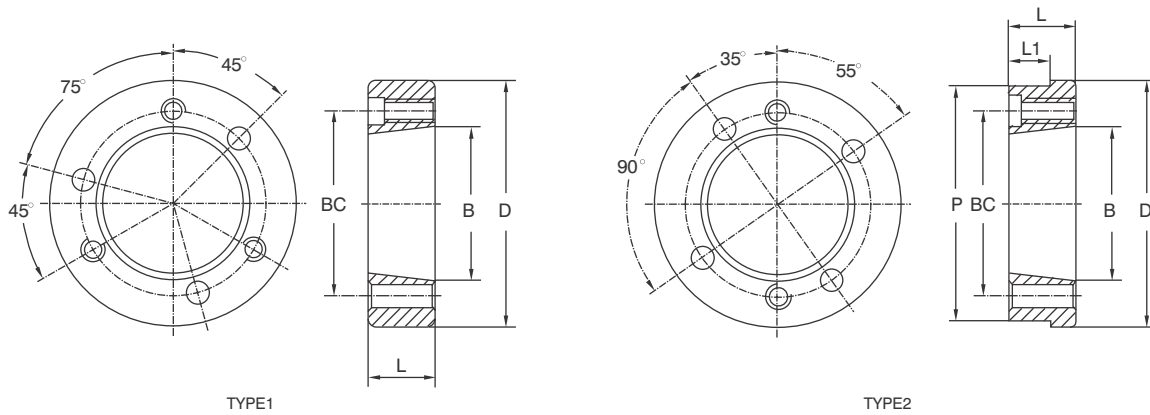
A2 • BORE AND KEYWAY DIMENSIONS

Bush	Bore	Keyway	Bush	Bore	Keyway	Bush	Bore	Keyway	Bush	Bore	Keyway	Bush	Bore	Keyway	Bush	Bore	Keyway															
U ₀	3 11/16	7/8x7/16	U ₁	5	1 1/4x5/8	W ₁	45/8	1 1/4x5/8	W ₂	57/16	1 1/4x5/8	P ₁	14	Q ₁	55	16x5																
	3 3/4			5 1/8			41 1/16			51/2			15		5x2.5	60	18x5.5															
	37/8	53/16		43/4			55/8			16			6x3		65	8x3.5																
	3 15/16	5 1/4		47/8			53/8			18			6x3		28	8x3.5																
	4	5 3/8		4 15/16			57/16			19			6x3		30	8x3.5																
	4 1/8	5 1/2		5			51/8			20			6x3		32	10x4																
	43/16	27/16		5 1/8			53/16			22			6x3		35	10x4																
	4 1/4	21/2		53/8			51/4			24			8x3.5		36	10x4																
	43/8	29/16		57/8			53/8			25			8x3.5		38	10x4																
	47/16	25/8		51/2			57/16			28			8x3.5		39	12x4																
	4 1/2	21 1/16		51/2			51/2			30			8x3.5		40	12x4																
	45/8	23/4		51/2			51/2			32			10x4		42	12x4																
	4 11/16	213/16	51/2	55/8	35	10x4	45	14x4.5																								
	43/4	27/8	51/2	53/4	36	10x4	48	14x4.5																								
	47/8	215/16	51/2	57/8	38	10x4	50	16x5																								
	4 15/16	215/16	51/2	515/16	39	12x4	55	16x5																								
	5	3	51/2	6	40	12x4	60	18x5.5																								
	5 1/8	3 1/8	51/2	6 1/8	42	12x4	65	18x5.5																								
	53/16	33/16	51/2	63/16	15	5x2.5	70	20x6																								
	5 1/4	3 1/4	51/2	61/4	16	5x2.5	75	20x6																								
	53/8	33/8	51/2	63/8	18	6x3	80	22x7																								
	57/16	37/16	51/2	67/16	19	6x3	85	22x7																								
	5 1/2	31/2	51/2	61/2	20	6x3	90	25x7																								
	U ₁	23/8	5/8x5/16	U ₂	35/8	7/8x7/16	W ₂	65/8	1 3/4x3/4	B	STOCK MILLIMETER BORE BUSHINGS		B	24	R ₂	35	10x4															
		27/16			31 1/16			63/4			67/8	25		8x3.5		36		14x4.5														
		21/2			33/4			67/8			615/16	28		8x3.5		38			12x4													
		29/16			37/8			67/8			7	32		10x4		40				12x4												
		25/8			3 15/16			67/8			7 1/8	35		10x4		42					14x4.5											
21 1/16		4			67/8			73/16			36	10x4		45		16x5																
23/4		4 1/8			67/8			71/4			38	12x4		48								18x5.5										
213/16		43/16			67/8			73/8			39	12x4		50									20x6									
27/8		41/4			67/8			77/16			40	12x4		55										22x7								
215/16		43/8			67/8			33/8			42	12x4		60											25x7							
3		47/16			67/8			37/16			45	14x4.5		65												25x7						
3 1/8		4 1/2			67/8			31/2			48	14x4.5		70													25x7					
33/16		4 1/8	67/8	35/8	45	14x4.5	75	25x7																								
31/4		41 1/16	67/8	31 1/16	48	14x4.5	80		25x7																							
33/8		43/4	67/8	33/4	50	16x5	85			25x7																						
37/16		47/8	67/8	37/8	55	16x5	90				25x7																					
3 1/2		4 15/16	67/8	37/8	60	18x5.5						25x7																				
35/8		5	67/8	315/16	18	6x3							25x7																			
3 11/16		33/8	67/8	4	19	6x3								25x7																		
33/4		37/16	67/8	4 1/8	20	6x3									25x7																	
U ₁		3 13/16	1x1/2	W ₁	31/2	7/8x7/16	W ₂									43/16	1x1/2	H	10	Q ₁	19	6x3	18	8x3.5				18	6x3	18	6x3	
		37/8			31/2											41/4			11		None		19		6x3			19		6x3		19
		3 15/16			35/8											31 1/16			12		None		20		6x3	20		6x3		20		6x3
		4			33/4											43/8			14		5x2.5		22		6x3	22	6x3	22		6x3		
		4 1/8			37/8			47/16								16			5x2.5		24		8x3.5		24	8x3.5	24	8x3.5				
		43/16			3 7/8			4 1/2	18							6x3			25		8x3.5		18		6x3	28	8x3.5					
		4 1/4			43/4			4 1/2	19	6x3						10			None		19		6x3		30	8x3.5						
		47/16			31 1/16			4 1/2	20	6x3	11					None			20		6x3		32		10x4							
		4 1/2			33/4			4 1/2	22	6x3	12	None				22			6x3		35		10x4									
		45/8			37/8			4 1/2	24	8x3.5	14	5x2.5	24			8x3.5			36		10x4											
		4 11/16			3 7/8			4 1/2	25	8x3.5	16	5x2.5	25	8x3.5		38			14x4.5													
		43/4			4			4 1/2	18	6x3	18	6x3	28	8x3.5	39	12x4																
		47/8	4 1/8	4 1/2	19	6x3	19	6x3	30	8x3.5	40	12x4																				
		4 15/16	43/16	4 1/2	20	6x3	20	6x3	32	10x4	42	12x4																				
			41/4	4 1/2	22	6x3	22	6x3	35	10x4	45	14x4.5																				
			43/8	4 1/2	24	8x3.5	24	8x3.5	36	10x4	48	14x4.5																				
			47/8	4 1/2	25	8x3.5	25	8x3.5	38	14x4.5	50	16x5																				
			4 15/16	4 1/2	28	8x3.5	28	8x3.5	39	12x4																						
				4 1/2	30	8x3.5	30	8x3.5	40	12x4																						
				4 1/2	32	10x4	32	10x4	42	12x4																						
		4 1/2	35	10x4	35	10x4	45	14x4.5																								
		4 1/2	36	10x4	36	10x4	48	14x4.5																								
		4 1/2	38	10x4	38	10x4	50	16x5																								



QTL WELD-ON HUBS

QTL weld-on hubs are suitable for many applications such as welding to plate steel wheels. Weld-on hubs are manufactured in steel; precision drilled, tapped and taper-bored. They are mounted in conjunction with QTL bushings.



TYPE 1 & TYPE 2 HUB SPECIFICATIONS

Part Number	Dimensions-Inches						Type Drilling BC	Torque Transmitted Bolt Stress in Pounds Per Sq.In			Wgt. Pounds
	D*	L	B	P+	L1	BC		6,000	9,000	12,000	
JA-A	2.250	9/16	1.375	—	—	121/32	1	800	1190	1610	0.4
SH-A	3.000	13/16	1.871	—	—	21/4	1	950	1,425	1,900	1.0
SDS-A	3.500	3/4	2.188	—	—	211/16	1	1,130	1,695	2,260	1.3
SK-A	4.375	1 1/4	2.813	—	—	35/16	1	2,400	3,600	4,800	3.0
SF-A	5.000	1 1/4	3.125	—	—	37/8	1	4,060	6,090	8,120	4.0
E-A	6.250	1 5/8	3.832	—	—	5	1	9,240	13,860	18,480	9.0
F-A	7.000	2 1/2	4.437	—	—	5 5/8	1	13,960	20,940	27,920	16
J-A	7.750	3 3/16	5.140	—	—	6 1/4	1	19,550	29,325	39,100	25
M-A	9.500	5 3/16	6.494	9.250	3 9/16	7 7/8	2	49,000	73,500	98,000	50
N-A	10.500	6 1/4	6.990	10.250	4 1/2	8 1/2	2	73,200	109,800	146,400	75

*Tolerance of "D" - "SH" thru "J" = (+.000 -.002)

+Tolerance of "P"- "M" and "N" = (+.000-.003)

TABLE OF CONTENTS

V-PULLEYS

LEESON V-PULLEYS are available in two configurations:

- finished (fixed) bore



- taper bore for STL and QTL style.



FINISHED BORE

AK	25
2AK	26
BK	27
2BK	28

TAPER BORE • STL/H

AK-H	29
2AK-H	31
BK-H	32
2BK-H	33

FINISHED BORE • ADJUSTABLE SPEED

VL and VM	35
1VP	36
2VP	38

TAPER BORE • QTL

A/B-C-D	39
3V-5V-8V	60

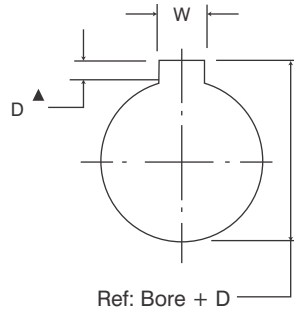
FINISHED BORE • LIGHT DUTY

AL	78
----------	----



AK & BK CAST IRON SHEAVES

- Manufactured in high quality grey cast iron
- Finished bore with H7 precision
- Keyway and set screws in accordance with USAS. B. 17.1-1967
- OEM surface treatment available: paint or black phosphate - contact LEESON
- Individually packaged



ISO STANDARD METHOD
FOR MEASURING KEYSEAT
DEPTH

▲ Depth measured at centerline.

Example: 5/8" Bore + 1/16" D dim. = .6875" Keyseat Depth

Reference:

1 inch=25.4 millimeters

1 millimeter=0.3937 inches.

STANDARD KEYSEATS

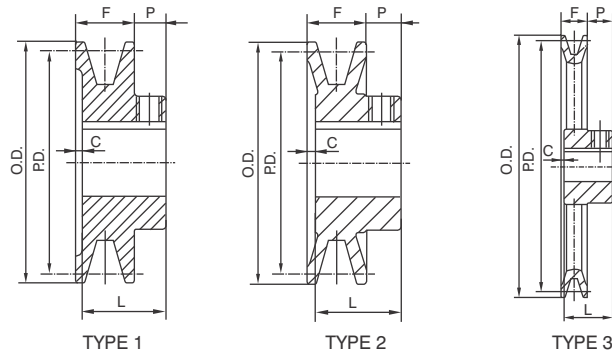
Stock Bores	Keyseat (WxD)	Stock Bores	Keyseat (WxD)
1/2	None	1	1/4x1/8
9/16	1/8x1/16	1 1/16	1/4x1/8
5/8	3/16x3/32	1 1/8	1/4x1/8
11/16	3/16x3/32	1 3/16	1/4x1/8
3/4	3/16x3/32	1 1/4	1/4x1/8
13/16	3/16x3/32	1 3/8	1/4x1/8
7/8	3/16x3/32	1 3/8	1/4x1/8
15/16	1/4x11/8	1 7/16	3/8x3/16

HOW TO ORDER

2 AK 26 X 1

— Bore
 — Outside Diameter
 — Sheave Cross Section
 — No. of Grooves

AK SHEAVES

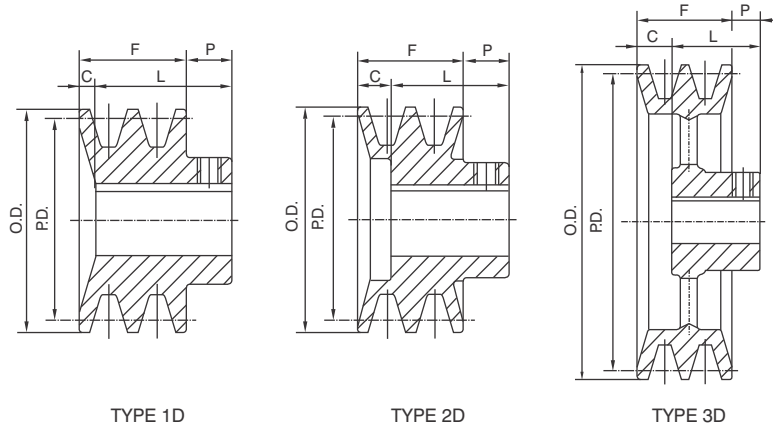


1 GROOVE • A or 3L-4L BELTS

Part Number	Diameter			Type	Dimensions				Stock Bores											Wgt. Lbs.
	O.D.	P.D. A	P.D. 3L		F	L	P	C	1/2	5/8	3/4	7/8	15/16	1	1 1/8	1 3/16	1 1/4	1 3/8	1 7/16	
AK17	1.75	1.50	1.16	1	21/32	15/16	7/16	5/32	●	●										0.2
AK20	2.00	1.80	1.46	1	21/32	15/16	7/16	5/32	●	●	●									0.3
AK21	2.10	1.90	1.56	1	21/32	15/16	7/16	5/32	●	●	●									0.4
AK22	2.20	2.00	1.66	1	21/32	15/16	7/16	5/32	●	●	●									0.5
AK23	2.30	2.10	1.76	1	21/32	15/16	7/16	5/32	●	●	●									0.5
AK25	2.50	2.30	1.96	2	21/32	15/16	7/16	5/32	●	●	●									0.6
AK26	2.60	2.40	2.06	2	21/32	15/16	7/16	5/32	●	●	●									0.6
AK27	2.70	2.50	2.16	2	21/32	15/16	7/16	5/32	●	●	●									0.6
AK28	2.80	2.60	2.26	2	21/32	15/16	7/16	5/32	●	●	●									0.7
AK30	3.05	2.80	2.46	2	21/32	15/16	7/16	5/32	●	●	●	●								0.7
AK32	3.25	3.00	2.66	2	21/32	15/16	7/16	5/32	●	●	●	●								0.8
AK34	3.45	3.20	2.86	2	21/32	15/16	7/16	5/32	●	●	●	●								0.9
AK39	3.75	3.50	3.16	2	3/4	15/32	15/32	1/16	●	●	●	●	●		●	●				1.4
AK41	3.95	3.70	3.36	2	3/4	15/32	15/32	1/16	●	●	●	●	●		●	●				1.5
AK44	4.25	4.00	3.66	2	3/4	15/32	15/32	1/16	●	●	●	●	●		●	●				1.5
AK46	4.45	4.20	3.86	2	3/4	15/32	15/32	1/16	●	●	●	●	●		●	●				1.6
AK49	4.75	4.50	4.16	2	3/4	15/32	15/32	1/16	●	●	●	●	●		●	●				1.7
AK51	4.95	4.70	4.36	3	3/4	15/32	15/32	1/16	●	●	●	●	●		●	●				1.7
AK54	5.25	5.00	4.66	3	3/4	15/32	15/32	1/16	●	●	●	●	●		●	●	●			1.8
AK56	5.45	5.20	4.86	3	3/4	15/32	15/32	1/16	●	●	●	●	●		●	●	●			1.9
AK59	5.75	5.50	5.16	3	3/4	15/32	15/32	1/16	●	●	●	●	●		●	●	●			2.0
AK61	5.95	5.70	5.36	3	3/4	15/32	15/32	1/16	●	●	●	●	●		●	●	●			2.1
AK64	6.25	5.00	5.66	3	3/4	15/32	15/32	1/16	●	●	●	●	●		●	●	●			2.2
AK66	6.45	6.20	5.86	3	3/4	15/32	15/32	1/16	●	●	●	●	●		●	●	●			2.3
AK69	6.75	6.50	6.16	3	3/4	1 15/32	23/32	—	●	●	●	●	●		●	●	●			3.5
AK71	6.95	6.70	6.36	3	3/4	1 15/32	23/32	—	●	●	●	●	●		●	●	●	●		3.8
AK74	7.25	7.00	6.66	3	3/4	1 15/32	23/32*	—	●	●	●	●	●		●	●	●	●		3.9
AK79	7.79	7.50	7.16	3	3/4	1 15/32	23/32	—	●	●	●	●	●		●	●	●	●		4.0
AK84	8.25	8.00	7.66	3	3/4	1 15/32	23/32*	—	●	●	●	●	●		●	●	●	●		4.2
AK89	8.75	8.50	8.16	3	3/4	1 15/32	23/32	—	●	●	●	●	●		●	●	●	●		4.3
AK94	9.25	9.00	8.66	3	3/4	1 15/32	23/32*	—	●	●	●	●	●		●	●	●	●		4.5
AK99	9.75	9.50	9.16	3	3/4	1 15/32	23/32	—	●	●	●	●	●		●	●	●	●		5.3
AK104	10.25	10.00	9.66	3	3/4	1 15/32	23/32*	—	●	●	●	●	●		●	●	●	●		5.7
AK109	10.75	10.50	10.16	3	3/4	1 15/32	23/32	—	●	●	●	●	●		●	●	●	●		5.8
AK114	11.25	11.00	10.66	3	3/4	1 15/32	23/32*	—	●	●	●	●	●		●	●	●	●		5.9
AK124	12.25	12.00	11.66	3	3/4	1 15/32	23/32*	—	●	●	●	●	●		●	●	●	●		6.5
AK134	13.25	13.00	12.66	3	3/4	1 15/32	23/32	—	●	●	●	●	●		●	●	●	●		7.5
AK144	14.25	14.00	13.66	3	3/4	1 15/32	23/32	—	●	●	●	●	●		●	●	●	●		8.5
AK154	15.25	15.00	14.66	3	3/4	1 15/32	23/32	—	●	●	●	●	●		●	●	●	●		9.8
AK184	18.25	18.00	17.66	3	3/4	1 15/32	23/32	—	●	●	●	●	●		●	●	●	●		12.1

*P=25/32 and C=1/16 for 1" Bore and smaller

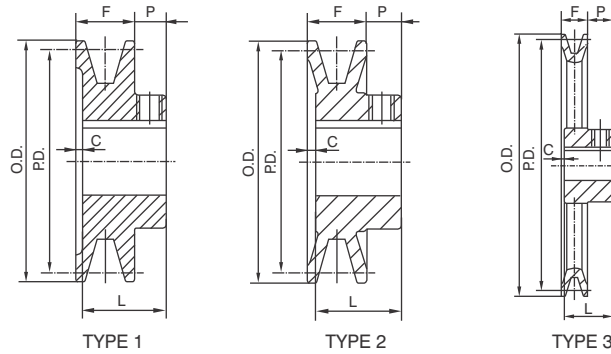
2AK SHEAVES



2 GROOVE • A or 3L-4L BELTS

Part Number	Diameter			Type	Dimensions				Stock Bores										Wgt. Lbs.		
	O.D.	P.D. A	P.D. 3L		F	L	P	C	1/2	5/8	3/4	7/8	15/16	1	1 1/8	1 3/16	1 1/4	1 3/8		1 7/16	
2AK20	2.00	1.80	1.46	1D	1 3/8	1 21/32	15/32	3/16	●	●	●										0.8
2AK21	2.15	1.90	1.56	1D	1 3/8	1 21/32	15/32	3/16	●	●	●										0.9
2AK22	2.25	2.00	1.66	1D	1 3/8	1 21/32	15/32	3/16	●	●	●	●									1.0
2AK23	2.35	2.10	1.76	1D	1 3/8	1 21/32	15/32	3/16		●	●	●		●							1.1
2AK25	2.55	2.30	1.96	1D	1 3/8	1 21/32	15/32	3/16		●	●	●		●							1.3
2AK26	2.65	2.40	2.06	1D	1 3/8	1 21/32	15/32	3/16		●	●	●		●							1.4
2AK27	2.75	2.50	2.16	1D	1 3/8	1 21/32	15/32	3/16		●	●	●		●							1.5
2AK28	2.85	2.60	2.26	1D	1 3/8	1 21/32	15/32	3/16		●	●	●		●							1.8
2AK30	3.05	2.80	2.46	1D	1 3/8	1 21/32	15/32	3/16	●	●	●	●		●	●						1.9
2AK32	3.25	3.00	2.66	1D	1 3/8	1 21/32	15/32	3/16		●	●	●		●	●						2.1
2AK34	3.45	3.20	2.86	1D	1 3/8	1 21/32	15/32	3/16		●	●	●		●	●						2.3
2AK39	3.75	3.50	3.16	2D	1 3/8	1 11/32	15/32	1/2		●	●	●		●	●						2.6
2AK41	3.95	3.70	3.36	2D	1 3/8	1 11/32	15/32	1/2		●	●	●		●	●						2.9
2AK44	4.25	4.00	3.66	2D	1 3/8	1 11/32	15/32	1/2		●	●	●		●	●						3.0
2AK46	4.45	4.20	3.86	2D	1 3/8	1 11/32	15/32	1/2		●	●	●		●	●						3.1
2AK49	4.75	4.50	4.16	2D	1 3/8	1 11/32	15/32	1/2			●	●		●	●			●			3.6
2AK51	4.95	4.70	4.36	2D	1 3/8	1 11/32	15/32	1/2			●	●		●	●			●			3.8
2AK54	5.25	5.00	4.66	3D	1 3/8	1 11/32	15/32	1/2		●	●	●		●	●			●			3.3
2AK56	5.45	5.20	4.86	3D	1 3/8	1 11/32	15/32	1/2		●	●	●		●	●			●			3.4
2AK59	5.75	5.50	5.16	3D	1 3/8	1 11/32	15/32	1/2			●	●		●	●			●			3.5
2AK61	5.95	5.70	5.36	3D	1 3/8	1 11/32	15/32	1/8			●	●		●	●			●			3.6
2AK64	6.25	5.00	5.66	3D	1 3/8	1 19/32	11/32	1/8			●	●		●	●	●		●	●		4.8
2AK74	7.25	7.00	6.66	3D	1 3/8	1 19/32	11/32	1/8			●	●		●	●	●		●	●		5.6
2AK84	8.25	8.00	7.66	3D	1 3/8	1 19/32	11/32	1/8			●	●	●	●	●	●		●	●		6.4
2AK94	9.25	9.00	8.66	3D	1 3/8	1 19/32	11/32	1/8			●	●		●	●	●		●	●		7.3
2AK104	10.25	10.00	9.66	3D	1 3/8	1 19/32	11/32	1/8			●	●	●	●	●	●		●	●		8.1
2AK114	11.25	11.00	10.66	3D	1 3/8	1 19/32	11/32	1/8			●	●		●	●	●		●	●		9.0
2AK124	12.25	12.00	11.66	3D	1 3/8	1 19/32	11/32	1/8			●	●		●	●	●		●	●		9.8
2AK134	13.25	13.00	12.66	3D	1 3/8	1 19/32	11/32	1/8			●	●		●	●	●		●	●		12.3
2AK144	14.25	14.00	13.66	3D	1 3/8	1 19/32	11/32	1/8			●	●		●	●	●		●	●		13.9
2AK154	15.25	15.00	14.66	3D	1 3/8	1 19/32	11/32	1/8			●	●		●	●	●		●	●		14.3
2AK184	18.25	18.00	17.66	3D	1 3/8	1 19/32	11/32	1/8			●	●		●	●	●		●	●		17.4

BK SHEAVES

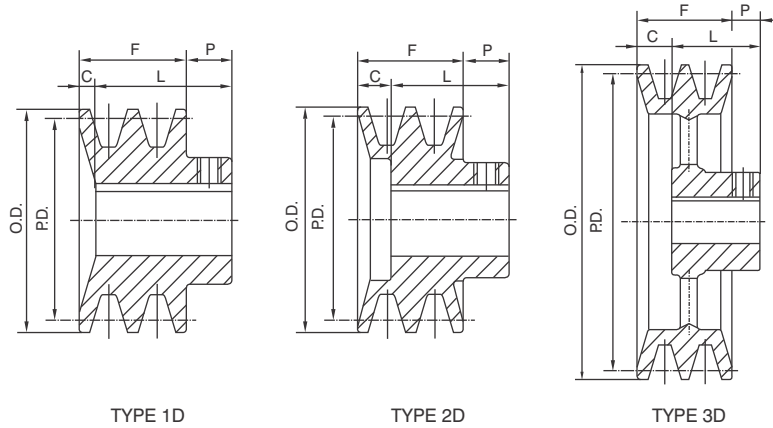


1 GROOVE • A, B, 4L & 5L BELTS

Part Number	Diameter			Type	Dimensions				Stock Bores										Wgt. Lbs.	
	O.D.	P.D. A	P.D. B		F	L	P	C	1/2	5/8	3/4	7/8	15/16	1	1 1/8	1 3/16	1 1/4	1 3/8		1 7/16
BK24	2.40	1.80	2.20	1	13/16	1 1/16	13/32	5/32	●	●	●									0.4
BK25	2.50	1.90	2.30	1	13/16	1 1/16	13/32	5/32	●	●	●	●								0.5
BK26	2.60	2.00	2.40	1	13/16	1 1/16	13/32	5/32	●	●	●	●								0.6
BK27	2.70	2.10	2.50	2	13/16	1 1/16	13/32	5/32	●	●	●	●								0.7
BK28	2.95	2.20	2.60	2	13/16	1 1/16	13/32	5/32	●	●	●	●								0.8
BK30	3.15	2.40	2.80	2	13/16	1 1/16	13/32	5/32	●	●	●	●								0.9
BK32	3.35	2.60	3.00	2	13/16	1 1/16	13/32	5/32	●	●	●	●								1.0
BK34	3.55	2.80	3.20	2	7/8	1 5/32	13/32	1/8	●	●	●	●								1.3
BK36	3.75	3.00	3.40	2	7/8	1 5/32	13/32	1/8	●	●	●	●								1.5
BK40	3.95	3.20	3.60	2	7/8	1 5/32	13/32	1/8	●	●	●	●								1.6
BK45	4.25	3.50	3.90	2	7/8	1 5/32	13/32	1/8	●	●	●	●								1.8
BK47	4.45	3.70	4.10	2	7/8	1 5/32	13/32	1/8	●	●	●	●								1.9
BK50	4.75	4.00	4.40	2	7/8	1 5/32	13/32	1/8	●	●	●	●	●							2.0
BK52	4.95	4.20	4.60	2	7/8	1 5/32	13/32	1/8	●	●	●	●								2.1
BK55	5.25	4.50	4.90	2	7/8	1 5/32	13/32	1/8	●	●	●	●								2.2
BK57	5.45	4.70	5.10	2	7/8	1 5/32	13/32	1/8		●	●	●	●							2.3
BK60	5.75	5.00	5.40	2	7/8	1 5/32	13/32	1/8	●	●	●	●								2.4
BK62	5.95	5.20	5.60	2	7/8	1 5/32	13/32	1/8	●	●	●	●								2.5
BK65	6.25	5.50	5.90	2	7/8	1 5/32	13/32	1/8		●	●	●	●							2.7
BK67	6.45	5.70	6.10	2	7/8	1 5/32	13/32	1/8		●	●	●	●							2.8
BK70	6.75	6.00	6.40	3	7/8	1 15/32	2 1/32*	1/16			●	●	●	●						3.3
BK72	6.95	6.20	6.60	3	7/8	1 15/32	2 1/32	1/16			●	●	●	●						3.9
BK75	7.25	6.50	6.90	3	7/8	1 15/32	2 1/32	1/16			●	●	●	●						4.0
BK77	7.45	6.70	7.10	3	7/8	1 15/32	2 1/32	1/16			●	●	●	●						4.1
BK80	7.75	7.00	7.40	3	7/8	1 15/32	2 1/32	1/16			●	●	●	●						4.4
BK85	8.25	7.50	7.90	3	7/8	1 15/32	2 1/32	1/16				●	●	●	●					5.0
BK90	8.75	8.00	8.40	3	7/8	1 15/32	2 1/32	1/16				●	●	●	●					5.2
BK95	9.25	8.50	8.90	3	7/8	1 15/32	2 1/32	1/16				●	●	●	●					5.4
BK100	9.75	9.00	9.40	3	7/8	1 15/32	2 1/32	1/16				●	●	●	●					5.6
BK105	10.25	9.50	9.90	3	7/8	1 15/32	2 1/32	1/16				●	●	●	●					5.8
BK110	10.75	10.00	10.40	3	7/8	1 15/32	2 1/32	1/16				●	●	●	●					6.4
BK115	11.25	10.50	10.90	3	7/8	1 15/32	2 1/32	1/16				●	●	●	●					6.9
BK120	11.75	11.00	11.40	3	7/8	1 15/32	2 1/32	1/16				●	●	●	●					7.4
BK130	12.75	12.00	12.40	3	7/8	1 15/32	2 1/32	1/16				●	●	●	●					8.4
BK140	13.75	13.00	13.40	3	7/8	1 15/32	2 1/32	1/16				●	●	●	●					9.4
BK160	15.75	15.00	15.40	3	7/8	1 15/32	2 1/32	1/16					●	●	●	●				12.4
BK190	18.75	18.00	18.40	3	7/8	1 15/32	2 1/32	1/16						●	●	●	●			13.4

*P=13/32 and C=1/8 for 1" Bore and smaller

2BK SHEAVES



2 GROOVE • A, B, 4L & 5L BELTS

Part Number	Diameter			Type	Dimensions				Stock Bores										Wgt. Lbs		
	O.D.	P.D. A	P.D. B		F	L	P	C	1/2	5/8	3/4	7/8	15/16	1	1 1/8	1 3/16	1 1/4	1 3/8		1 7/16	
2BK25	2.50	1.90	2.30	1D	1 3/4	1 31/32	15/32	1/4	●	●	●	●	●	●							1.3
2BK27	2.70	2.10	2.50	1D	1 3/4	1 31/32	15/32	1/4	●	●	●	●	●	●							1.6
2BK28	2.95	2.20	2.60	1D	1 3/4	1 31/32	15/32	1/4	●	●	●	●	●	●	●						1.9
2BK30	3.15	2.40	2.80	1D	1 3/4	1 31/32	15/32	1/4	●	●	●	●	●	●	●						2.3
2BK32	3.35	2.60	3.00	1D	1 3/4	1 31/32	15/32	1/4		●		●	●	●	●						2.6
2BK34	3.55	2.80	3.20	1D	1 3/4	1 31/32	15/32	1/4		●	●	●	●	●	●						2.8
2BK36	3.75	3.00	3.40	1D	1 3/4	1 31/32	15/32	1/4			●	●	●	●	●			●			3.3
2BK40	3.95	3.20	3.60	2D	1 3/4	1 15/32	15/32	3/4		●	●	●	●	●	●						3.4
2BK45	4.25	3.50	3.90	2D	1 3/4	1 15/32	15/32	3/4			●	●	●	●	●			●			3.6
2BK47	4.45	3.70	4.10	2D	1 3/4	1 15/32	15/32	3/4				●	●	●	●						3.7
2BK50	4.75	4.00	4.40	2D	1 3/4	1 15/32	15/32	3/4			●	●	●	●	●			●			4.1
2BK52	4.95	4.20	4.60	2D	1 3/4	1 15/32	15/32	3/4				●	●	●	●			●			4.5
2BK55	5.25	4.50	4.90	2D	1 3/4	1 15/32	15/32	3/4					●	●	●			●			4.8
2BK57	5.45	4.70	5.10	2D	1 3/4	1 15/32	15/32	3/4					●	●	●			●			5.1
2BK60	5.75	5.00	5.40	2D	1 3/4	1 15/32	15/32	3/4					●	●	●			●			4.9
2BK62	5.95	5.20	5.60	3D	1 3/4	1 15/32	15/32	3/4					●	●	●			●			4.8
2BK65	6.25	5.50	5.90	3D	1 3/4	1 15/32	15/32	3/4					●	●	●			●			5.0
2BK67	6.45	5.70	6.10	3D	1 3/4	1 15/32	15/32	3/4					●	●	●			●			5.5
2BK70	6.75	6.00	6.40	3D	1 3/4	1 19/32	11/32	1/2			●		●	●	●		●	●			6.0
2BK80	7.75	7.00	7.40	3D	1 3/4	1 19/32	11/32	1/2			●		●	●	●		●	●	●		7.2
2BK90	8.75	8.00	8.40	3D	1 3/4	1 19/32	11/32	1/2					●	●	●		●	●	●		8.4
2BK100	9.75	9.00	9.40	3D	1 3/4	1 19/32	11/32	1/2			●		●	●	●		●	●	●		9.4
2BK110	10.75	10.00	10.40	3D	1 3/4	1 19/32	11/32	1/2					●	●	●		●	●	●		10.4
2BK120	11.75	11.00	11.40	3D	1 3/4	1 19/32	11/32	1/2					●	●	●		●	●	●		11.8
2BK130	12.75	12.00	12.40	3D	1 3/4	1 19/32	11/32	1/2					●	●	●		●	●	●		14.9
2BK140	13.75	13.00	13.40	3D	1 3/4	1 19/32	11/32	1/2					●	●			●		●		16.3
2BK160	15.75	15.00	15.40	3D	1 3/4	1 19/32	11/32	1/2					●	●			●		●		18.0
2BK190	18.75	18.00	18.40	3D	1 3/4	1 19/32	11/32	1/2					●	●			●		●		23.3



AK-H & BK-H CAST IRON SHEAVES

- The AK-H and BK-H series of taper sheaves are designed for “H” style STL bushings
- Precision installation
- Easy assembly disassembly
- Manufactured in high quality grey cast iron
- Surface treatment: painting or black phosphating.
- Individually packaged
- “H” style bushings are available for bore sizes from 3/8” to 1-1/2”



STL Taper bushings • See page 16

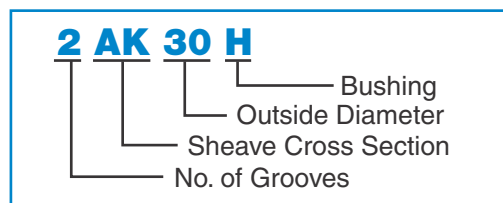
STOCK “H” BUSHINGS • STL

Stock Bores	Keyseats	Stock Bores	Keyseats
3/8	None	1	1/4x1/16
7/16	None	1 1/16	1/4x1/16
1/2	1/8x1/16	1 1/8	1/4x1/16
9/16	1/8x1/16	1 3/16	1/4x1/16
5/8	3/16x3/32	1 1/4	1/4x1/16
11/16	3/16x3/32	1 5/16	5/16x1/16
3/4	3/16x3/32	1 3/8	5/16x1/16
13/16	3/16x3/32	1 3/8	3/8x1/16
7/8	3/16x3/32	1 7/16	3/8x1/16
15/16	1/4x1/8	1 1/2	3/8x1/16

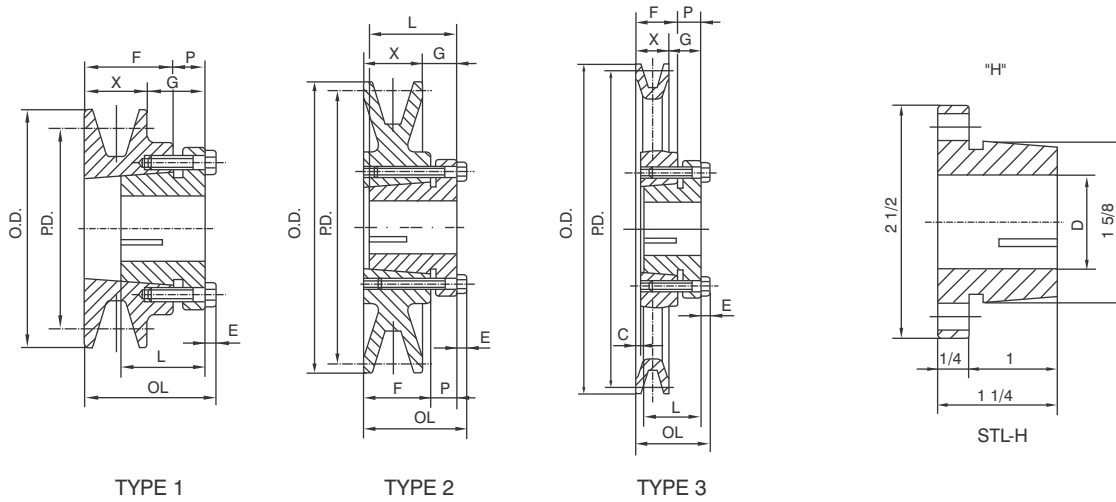
MILLIMETER BORES • STL

Stock Bores	Keyseats	Stock Bores	Keyseats
10	None	24	8x3.5
11	None	25	8x3.5
12	None	28	8x3.5
14	5x2.5	30	8x3.5
16	5x2.5	32	10x4
18	6x3	35	10x4
19	6x3	36	10x4
20	6x3	38	10x4
22	6x3		

HOW TO ORDER



AK-H SHEAVES



TYPE 1

TYPE 2

TYPE 3

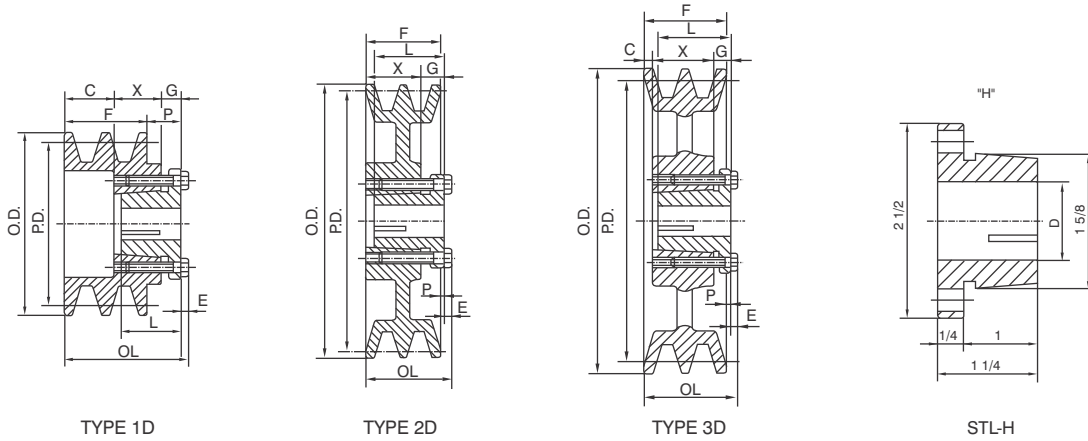
STL-H

1 GROOVE • A or 3L-4L BELTS

Part Number	Diameter			Type	Dimensions								Wgt. Less Bush
	O.D.	P.D. A	P.D. 3L		OL	F	L	P	C	X	G	E	
AK30H	3.05	2.80	2.46	1	1 13/16	3/4	1 1/4	7/8	—	13/16	7/16	3/16	1.1
AK32H	3.25	3.00	2.66	1	1 13/16	3/4	1 1/4	7/8	—	13/16	7/16	3/16	1.2
AK34H	3.45	3.20	2.86	2	1 1/2	3/4	1 1/4	9/16	—	7/8	7/16	3/16	1.0
AK39H	3.75	3.50	3.16	2	1 1/2	3/4	1 1/4	9/16	—	7/8	7/16	3/16	1.4
AK41H	3.95	3.70	3.36	2	1 1/2	3/4	1 1/4	9/16	—	7/8	7/16	3/16	1.6
AK44H	4.25	4.00	3.66	2	1 1/2	3/4	1 1/4	9/16	—	7/8	7/16	3/16	1.9
AK46H	4.45	4.20	3.86	2	1 1/2	3/4	1 1/4	9/16	—	7/8	7/16	3/16	1.9
AK49H	4.75	4.50	4.16	2	1 1/2	3/4	1 1/4	9/16	—	7/8	7/16	3/16	2.1
AK51H	4.95	4.70	4.36	2	1 1/2	3/4	1 1/4	9/16	—	7/8	7/16	3/16	2.3
AK54H	5.25	6.00	4.66	2	1 1/2	3/4	1 1/4	9/16	—	7/8	7/16	3/16	2.0
AK56H	5.45	5.20	4.86	2	1 1/2	3/4	1 1/4	9/16	—	7/8	7/16	3/16	2.3
AK59H	5.75	5.50	5.16	2	1 1/2	3/4	1 1/4	9/16	—	7/8	7/16	3/16	2.4
AK61H	5.95	5.70	5.36	3	1 1/2	3/4	1 1/4	9/16	—	7/8	7/16	3/16	2.5
AK64H	6.25	5.00	5.66	3	1 1/2	3/4	1 1/4	9/16	—	7/8	7/16	3/16	2.7
AK66H	6.45	6.20	5.86	3	1 1/2	3/4	1 1/4	9/16	—	7/8	7/16	3/16	2.8
AK69H	6.75	6.50	6.16	3	1 1/2	3/4	1 1/4	9/16	—	7/8	7/16	3/16	3.2
AK71H	6.95	6.70	6.36	3	1 1/2	3/4	1 1/4	9/16	—	7/8	7/16	3/16	3.1
AK74H	7.25	7.00	6.66	3	1 1/2	3/4	1 1/4	9/16	—	7/8	7/16	3/16	3.3
AK79H	7.75	7.50	7.16	3	1 1/2	3/4	1 1/4	9/16	—	7/8	7/16	3/16	3.5
AK84H	8.25	8.00	7.66	3	1 1/2	3/4	1 1/4	9/16	—	7/8	7/16	3/16	3.6
AK89H	8.75	8.50	8.16	3	1 1/2	3/4	1 1/4	9/16	—	7/8	7/16	3/16	4.0
AK94H	9.25	9.00	8.66	3	1 1/2	3/4	1 1/4	9/16	—	7/8	7/16	3/16	4.4
AK99H	9.75	9.50	9.16	3	1 1/2	3/4	1 1/4	9/16	—	7/8	7/16	3/16	4.7
AK104H	10.25	10.00	9.66	3	1 1/2	3/4	1 1/4	9/16	—	7/8	7/16	3/16	4.5
AK109H	10.75	10.50	10.16	3	1 1/2	3/4	1 1/4	9/16	—	7/8	7/16	3/16	5.1
AK114H	11.25	11.00	10.66	3	1 1/2	3/4	1 1/4	9/16	—	7/8	7/16	3/16	5.5
AK124H	12.25	12.00	11.66	3	1 1/2	3/4	1 1/4	9/16	—	7/8	7/16	3/16	6.1
AK134H	13.25	13.00	12.66	3	1 1/2	3/4	1 1/4	9/16	—	7/8	7/16	3/16	7.4
AK144H	14.25	14.00	13.66	3	1 1/2	3/4	1 1/4	9/16	—	7/8	7/16	3/16	7.8
AK154H	15.25	15.00	14.66	3	1 1/2	3/4	1 1/4	9/16	—	7/8	7/16	3/16	8.8
AK184H	18.25	18.00	17.66	3	1 1/2	3/4	1 1/4	9/16	—	7/8	7/16	3/16	11.3

FOR STL TAPER BUSHING - SEE PAGE 16

2AK-H SHEAVES

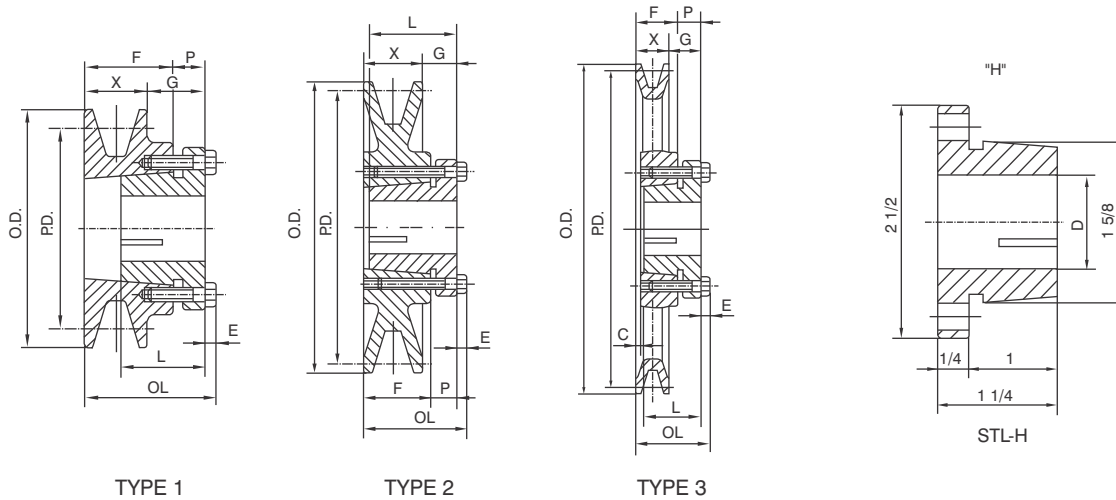


2 GROOVE • A or 3L-4L BELTS

Part Number	Diameter			Type	Dimensions								Wgt. Less Bush
	O.D.	P.D. A	P.D. 3L		OL	F	L	P	C	X	G	E	
2AK30H	3.05	2.80	2.46	1D	27/16	13/8	1 1/4	7/8	15/16	7/8	7/16	3/16	1.4
2AK32H	3.25	3.00	2.66	1D	27/16	13/8	1 1/4	7/8	15/16	7/8	7/16	3/16	1.7
2AK34H	3.45	3.20	2.86	1D	2	13/8	1 1/4	7/16	1/2	7/8	7/16	3/16	1.8
2AK39H	3.75	3.50	3.16	1D	2	13/8	1 1/4	7/16	1/2	7/8	7/16	3/16	1.8
2AK41H	3.95	3.70	3.36	2D	1 1/2	13/8	1 1/4	1/16	—	7/8	7/16	3/16	1.9
2AK44H	4.25	4.00	3.66	2D	1 1/2	13/8	1 1/4	1/16	—	7/8	7/16	3/16	2.4
2AK46H	4.45	4.20	3.86	2D	1 1/2	13/8	1 1/4	1/16	—	7/8	7/16	3/16	2.5
2AK49H	4.75	4.50	4.16	2D	1 1/2	13/8	1 1/4	1/16	—	7/8	7/16	3/16	3.1
2AK51H	4.95	4.70	4.36	2D	1 1/2	13/8	1 1/4	1/16	—	7/8	7/16	3/16	3.2
2AK54H	5.25	5.00	4.66	2D	1 1/2	13/8	1 1/4	1/16	—	7/8	7/16	3/16	3.4
2AK56H	5.45	5.20	4.86	2D	1 1/2	13/8	1 1/4	1/16	—	7/8	7/16	3/16	3.6
2AK59H	5.75	5.50	5.16	3D	1 1/2	13/8	1 1/4	1/16	—	7/8	7/16	3/16	3.4
2AK61H	5.95	5.70	5.36	3D	1 1/2	13/8	1 1/4	1/16	—	7/8	7/16	3/16	3.3
2AK64H	6.25	6.00	5.66	3D	1 1/2	13/8	1 1/4	1/16	—	7/8	7/16	3/16	3.9
2AK74H	7.25	7.00	6.66	3D	1 1/2	13/8	1 1/4	1/16	—	7/8	7/16	3/16	4.9
2AK84H	8.25	8.00	7.66	3D	1 1/2	13/8	1 1/4	1/16	—	7/8	7/16	3/16	5.8
2AK94H	9.25	9.00	8.66	3D	1 1/2	13/8	1 1/4	1/16	—	7/8	7/16	3/16	6.1
2AK104H	10.25	10.00	9.66	3D	1 1/2	13/8	1 1/4	1/16	—	7/8	7/16	3/16	7.7
2AK114H	11.25	11.00	10.66	3D	1 1/2	13/8	1 1/4	1/16	—	7/8	7/16	3/16	8.5
2AK124H	12.25	12.00	11.66	3D	1 1/2	13/8	1 1/4	1/16	—	7/8	7/16	3/16	9.5
2AK134H	13.25	13.00	12.66	3D	1 1/2	13/8	1 1/4	1/16	—	7/8	7/16	3/16	11.4
2AK144H	14.25	14.00	13.66	3D	1 1/2	13/8	1 1/4	1/16	—	7/8	7/16	3/16	11.9
2AK154H	15.25	15.00	14.66	3D	1 1/2	13/8	1 1/4	1/16	—	7/8	7/16	3/16	13.3
2AK184H	18.25	18.00	17.66	3D	1 1/2	13/8	1 1/4	1/16	—	7/8	7/16	3/16	16.8

FOR STL TAPER BUSHING - SEE PAGE 16

BK-H SHEAVES

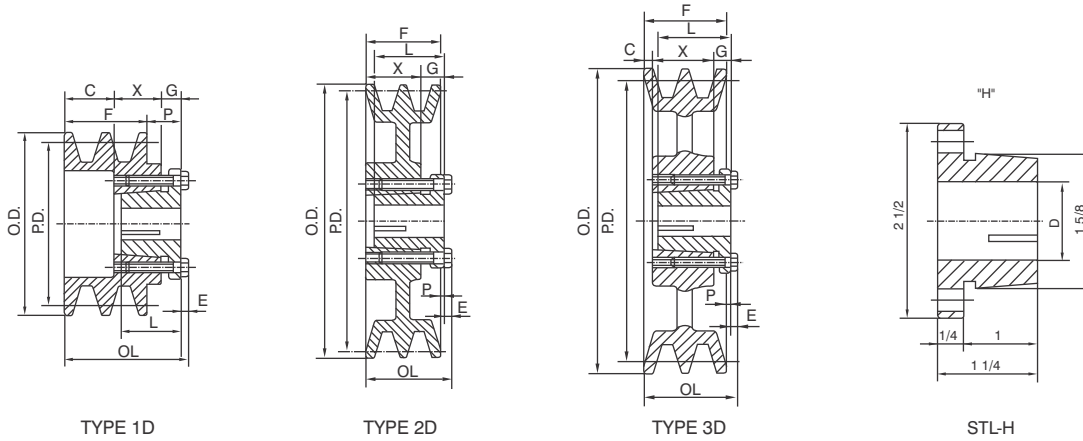


1 GROOVE • A, B, 4L & 5L BELTS

Part Number	Diameter			Type	Dimensions								Wgt. Less Bush
	O.D.	P.D. A	P.D. 3L		OL	F	L	P	C	X	G	E	
BK30H	3.15	2.40	2.80	1	1 15/16	7/8	1 1/4	7/8	—	15/16	7/16	3/16	1.2
BK32H	3.35	2.60	3.00	1	1 15/16	7/8	1 1/4	7/8	—	15/16	7/16	3/16	1.4
BK34H	3.55	2.80	3.20	1	1 15/16	7/8	1 1/4	7/8	—	15/16	7/16	3/16	1.6
BK36H	3.75	3.00	3.40	2	1 1/2	7/8	1 1/4	7/16	—	7/8	7/16	3/16	1.2
BK40H	3.95	3.20	3.60	2	1 1/2	7/8	1 1/4	7/16	—	7/8	7/16	3/16	1.4
BK45H	4.25	3.50	3.90	2	1 1/2	7/8	1 1/4	7/16	—	7/8	7/16	3/16	1.8
BK47H	4.45	3.70	4.10	2	1 1/2	7/8	1 1/4	7/16	—	7/8	7/16	3/16	2.2
BK50H	4.75	4.00	4.40	2	1 1/2	7/8	1 1/4	7/16	—	7/8	7/16	3/16	2.0
BK52H	4.95	4.20	4.60	2	1 1/2	7/8	1 1/4	7/16	—	7/8	7/16	3/16	2.1
BK55H	5.25	4.50	4.90	2	1 1/2	7/8	1 1/4	7/16	—	7/8	7/16	3/16	2.7
BK57H	5.45	4.70	5.10	2	1 1/2	7/8	1 1/4	7/16	—	7/8	7/16	3/16	2.7
BK60H	5.75	5.00	5.40	2	1 1/2	7/8	1 1/4	7/16	—	7/8	7/16	3/16	2.5
BK62H	5.95	5.20	5.60	2	1 1/2	7/8	1 1/4	7/16	—	7/8	7/16	3/16	2.6
BK65H	6.25	5.50	5.90	2	1 1/2	7/8	1 1/4	7/16	—	7/8	7/16	3/16	2.8
BK67H	6.45	5.70	6.10	2	1 1/2	7/8	1 1/4	7/16	—	7/8	7/16	3/16	2.9
BK70H	6.75	6.00	6.40	3	1 9/16	7/8	1 1/4	1/2	1/16	7/8	7/16	3/16	2.8
BK72H	6.95	6.20	6.60	3	1 9/16	7/8	1 1/4	1/2	1/16	7/8	7/16	3/16	3.1
BK75H	7.25	6.50	6.90	3	1 9/16	7/8	1 1/4	1/2	1/16	7/8	7/16	3/16	3.3
BK77H	7.45	6.70	7.10	3	1 9/16	7/8	1 1/4	1/2	1/16	7/8	7/16	3/16	3.8
BK80H	7.75	7.00	7.40	3	1 9/16	7/8	1 1/4	1/2	1/16	7/8	7/16	3/16	3.4
BK85H	8.25	7.50	7.90	3	1 9/16	7/8	1 1/4	1/2	1/16	7/8	7/16	3/16	3.8
BK90H	8.75	8.00	8.40	3	1 9/16	7/8	1 1/4	1/2	1/16	7/8	7/16	3/16	4.3
BK95H	9.25	8.50	8.90	3	1 9/16	7/8	1 1/4	1/2	1/16	7/8	7/16	3/16	5.0
BK100H	9.75	9.00	9.40	3	1 9/16	7/8	1 1/4	1/2	1/16	7/8	7/16	3/16	5.2
BK105H	10.25	9.50	9.90	3	1 9/16	7/8	1 1/4	1/2	1/16	7/8	7/16	3/16	5.5
BK110H	10.75	10.00	10.40	3	1 9/16	7/8	1 1/4	1/2	1/16	7/8	7/16	3/16	6.0
BK115H	11.25	10.50	10.90	3	1 9/16	7/8	1 1/4	1/2	1/16	7/8	7/16	3/16	6.4
BK120H	11.75	11.00	11.40	3	1 9/16	7/8	1 1/4	1/2	1/16	7/8	7/16	3/16	6.9
BK130H	12.75	12.00	12.40	3	1 9/16	7/8	1 1/4	1/2	1/16	7/8	7/16	3/16	6.9
BK140H	13.75	13.00	13.40	3	1 9/16	7/8	1 1/4	1/2	1/16	7/8	7/16	3/16	8.5
BK150H	14.75	14.00	14.40	3	1 9/16	7/8	1 1/4	1/2	1/16	7/8	7/16	3/16	9.5
BK160H	15.75	15.00	15.40	3	1 9/16	7/8	1 1/4	1/2	1/16	7/8	7/16	3/16	9.8
BK190H	18.75	18.00	18.40	3	1 9/16	7/8	1 1/4	1/2	1/16	7/8	7/16	3/16	12.8

FOR STL TAPER BUSHING - SEE PAGE 16

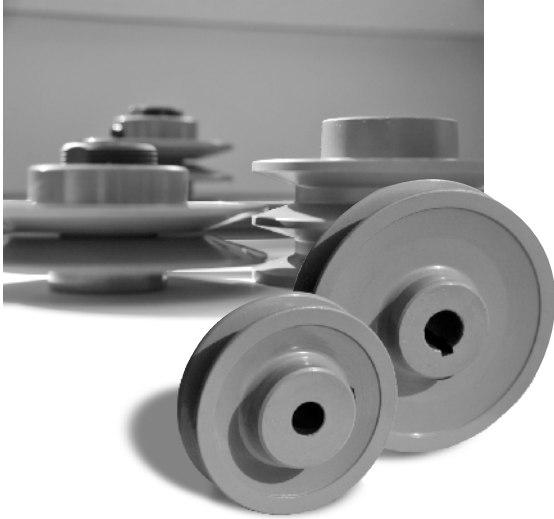
2BK-H SHEAVES



2 GROOVE • A, B, 4L & 5L BELTS

Part Number	Diameter			Type	Dimensions								Wgt. Less Bush
	O.D.	P.D. A	P.D. 3L		OL	F	L	P	C	X	G	E	
2BK32H	3.35	2.60	3.00	1D	2 13/16	1 3/4	1 1/4	7/8	15/16	7/8	7/16	3/16	2.1
2BK34H	3.55	2.80	3.20	1D	2 13/16	1 3/4	1 1/4	7/8	15/16	7/8	7/16	3/16	2.4
2BK36H	3.75	3.00	3.40	1D	2 3/8	1 3/4	1 1/4	7/16	7/8	7/8	7/16	3/16	2.0
2BK40H	3.95	3.20	3.60	1D	2 3/8	1 3/4	1 1/4	7/16	7/8	7/8	7/16	3/16	2.4
2BK45H	4.25	3.50	3.90	1D	2 3/8	1 3/4	1 1/4	7/16	7/8	7/8	7/16	3/16	3.0
2BK47H	4.45	3.70	4.10	2D	1 3/4	1 3/4	1 1/4	7/16	—	7/8	7/16	3/16	2.8
2BK50H	4.75	4.00	4.40	2D	1 3/4	1 3/4	1 1/4	7/16	—	7/8	7/16	3/16	3.3
2BK52H	4.95	4.20	4.60	2D	1 3/4	1 3/4	1 1/4	7/16	—	7/8	7/16	3/16	3.6
2BK55H	5.25	4.50	4.90	2D	1 3/4	1 3/4	1 1/4	7/16	—	7/8	7/16	3/16	3.9
2BK57H	5.45	4.70	5.10	2D	1 3/4	1 3/4	1 1/4	7/16	—	7/8	7/16	3/16	4.3
2BK60H	5.75	5.00	5.40	2D	1 3/4	1 3/4	1 1/4	7/16	—	7/8	7/16	3/16	4.4
2BK62H	5.95	5.20	5.60	2D	1 3/4	1 3/4	1 1/4	7/16	—	7/8	7/16	3/16	4.5
2BK65H	6.25	5.50	5.90	3D	1 3/4	1 3/4	1 1/4	7/16	1/4	7/8	7/16	3/16	5.0
2BK67H	6.45	5.70	6.10	3D	1 3/4	1 3/4	1 1/4	7/16	1/4	7/8	7/16	3/16	5.1
2BK70H	6.75	6.00	6.40	3D	1 3/4	1 3/4	1 1/4	7/16	1/4	7/8	7/16	3/16	6.4
2BK80H	7.75	7.00	7.40	3D	1 3/4	1 3/4	1 1/4	7/16	1/4	7/8	7/16	3/16	7.6
2BK90H	8.75	8.00	8.40	3D	1 3/4	1 3/4	1 1/4	7/16	1/4	7/8	7/16	3/16	8.4
2BK100H	9.75	9.00	9.40	3D	1 3/4	1 3/4	1 1/4	7/16	1/4	7/8	7/16	3/16	9.3
2BK110H	10.75	10.00	10.40	3D	1 3/4	1 3/4	1 1/4	7/16	1/4	7/8	7/16	3/16	11.0
2BK120H	11.75	11.00	11.40	3D	1 3/4	1 3/4	1 1/4	7/16	1/4	7/8	7/16	3/16	13.1
2BK130H	12.75	12.00	12.40	3D	1 3/4	1 3/4	1 1/4	7/16	1/4	7/8	7/16	3/16	14.8
2BK140H	13.75	13.00	13.40	3D	1 3/4	1 3/4	1 1/4	7/16	1/4	7/8	7/16	3/16	16.2
2BK160H	15.75	15.00	15.40	3D	1 3/4	1 3/4	1 1/4	7/16	1/4	7/8	7/16	3/16	17.5
2BK190H	18.75	18.00	18.40	3D	1 3/4	1 3/4	1 1/4	7/16	1/4	7/8	7/16	3/16	21.5

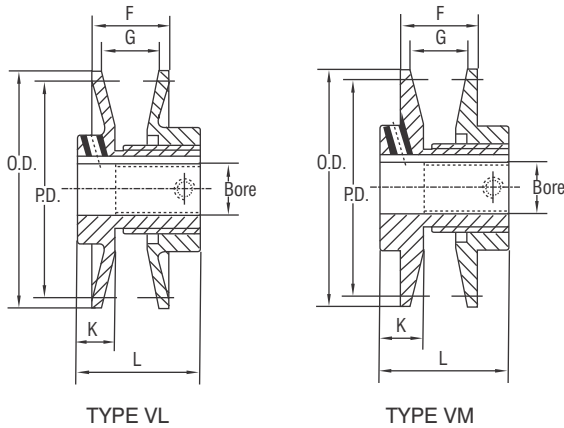
FOR STL TAPER BUSHING - SEE PAGE 16



Adjustable Speed V-Pulleys are used extensively in air-handling applications.

Features:

- LEESON Adjustable Speed V-Pulleys are made of GG25 high-quality grey cast iron. For other OEM materials - contact LEESON
- Finished on precision CNC machines they are then dynamically balanced and black coated.
- Please note that the sheaves are not to be used with rim speed in excess of 6500 feet per minute.



VL Sheaves are machined on essential surfaces only. VM Sheaves are machined over all surfaces. All are furnished with standard keyseats and hollow head setscrews.

They are packaged 20 pieces per carton.

To Order:

Part No. X Stock Bore e.g. VL34X5/8

VL & VM • VARIABLE PITCH SHEAVES • FINISHED BORE

Part Number	DIAMETER RANGE												STOCK BORES MARKED "X"			
	"3L" Belts				"4L" or "A" Belts				"5L" or "B" Belts				1/2	5/8	3/4	7/8
	Min. Pitch	Turns Open	Max. Pitch	Turns Open	Min. Pitch	Turns Open	Max. Pitch	Turns Open	Min. Pitch	Turns Open	Max. Pitch	Turns Open				
VL25	1.6	4	2.4	0	—	—	—	—	—	—	—	—	●	●		
VL30	1.8	4	2.7	0	—	—	—	—	—	—	—	—	●	●		
VL34	1.7	4	2.5	0	1.9	5	2.9	0	2.4	5	3.2	1	●	●	●	
VL40	2.3	4	3.1	0	2.4	5	3.4	0	2.7	6	3.7	1	●	●	●	●
VL44	2.7	4	3.5	0	2.8	5	4.4	0	3.1	6	4.1	1	●	●	●	●
VM50	3.3	4	4.1	0	3.4	5	4.4	0	3.7	6	4.7	1	●	●	●	●

NOTE - Do not use "VL" and "VM" sheaves with Gripnotch Belt Ratings.

DIMENSIONS

Part No.	Dimensions								Wgt. Lbs.
	O.D.	F		G		L	K		
		Max.	Min.	Max.	Min.				
VL25	2.50"	25/32"	17/32"	5/8"	3/8"	1 1/2"	37/64"	.8	
VL30	2.87	25/32	17/32	5/8	3/8	1 1/2	37/64	1.0	
VL34	3.15	1	5/8	7/8	1/2	1 11/16	37/64	1.1	
VL40	3.75	1	5/8	7/8	1/2	1 11/16	37/64	1.3	
VL44	4.15	1	5/8	7/8	1/2	1 11/16	37/64	1.3	
VM50	4.75	1 1/16	11/16	7/8	1/2	1 7/8	21/32	2.8	

STANDARD KEYSEATS

Bore Range	Keyseats
1/2"	None
5/8 to 7/8	3/16" x 3/32"

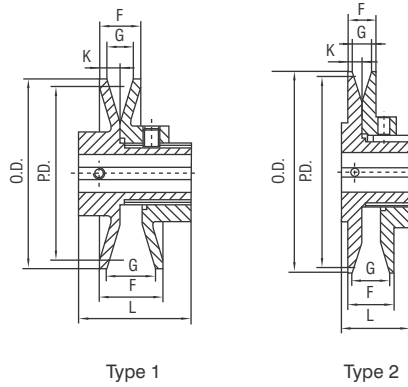
HOW TO ORDER

VL 40 X 5/8

— Bore Dia.
 — Outside Diameter
 — Sheave Cross Section

VARIABLE PITCH

1VP • VARIABLE PITCH SHEAVES



Type 1

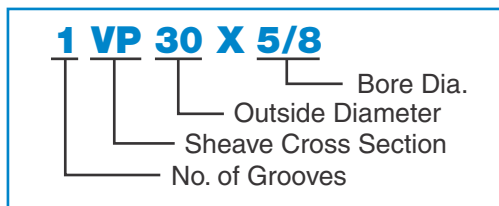
Type 2

DIMENSIONS • FINISHED BORE (FOR BELT SIZING SEE NEXT PAGE)

1VP

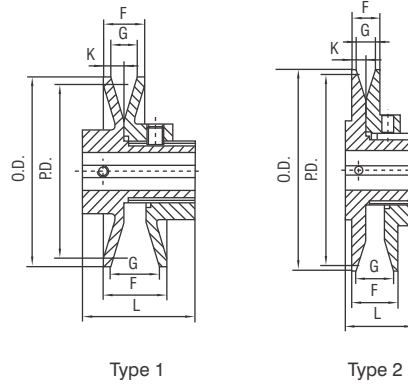
Part No.	Type	O.D.	F		G		L	K	Stock Bores Marked "●"							Wgt. Lbs.		
			Max	Min	Max	Min			1/2	5/8	3/4	7/8	1	1 1/8	1 1/4		1 3/8	1 5/8
1VP25	1	2.50	13/16	9/16	5/8	3/8	1 1/2	5/8	●									0.8
1VP30	1	2.87	13/16	9/16	5/8	3/8	1 21/32	19/32	●	●	●							0.9
1VP34	1	3.15	1	11/16	13/16	1/2	1 7/8	21/32	●	●	●	●						1.2
1VP40	1	3.75	1 1/16	11/16	7/8	1/2	1 7/8	21/32	●	●	●	●						1.7
1VP44A	1	4.15	1 1/16	11/16	7/8	1/2	1 7/8	21/32	●	●	●							1.9
1VP44B	2	4.15	1 1/8	3/4	7/8	1/2	1 7/8	11/16				●	●	●				2.6
1VP50A	1	4.75	1 1/16	11/16	7/8	1/2	2	25/32	●	●	●							1.9
1VP50B	2	4.75	1 1/8	3/4	7/8	1/2	1 7/8	11/16				●	●	●				2.9
1VP56A	1	5.35	1 1/16	11/16	7/8	1/2	1 7/8	21/32	●	●	●							2.7
1VP56B	2	5.35	1 1/8	3/4	7/8	1/2	1 7/8	11/16				●	●	●				3.4
1VP60	2	6.00	1 1/4	7/8	1 1/32	21/32	1 21/32	7/16			●	●	●	●		●		5.5
1VP62	2	5.95	1 1/8	3/4	7/8	1/2	1 29/32	21/32		●	●	●	●	●	●	●		5.7
1VP65	2	6.50	1 1/4	7/8	1 1/32	21/32	1 21/32	7/16			●	●	●	●		●		5.8
1VP68	2	6.55	1 1/8	3/4	7/8	1/2	1 29/32	21/32		●	●	●	●	●	●	●		6.4
1VP71	2	7.10	1 1/4	7/8	1 1/32	21/32	1 21/32	7/16			●	●	●	●	●	●		6.8
1VP75	2	7.50	1 1/4	7/8	1 1/32	21/32	1 21/32	7/16			●	●	●	●	●	●		7.3

HOW TO ORDER



STANDARD KEYSEATS

Bore Range	Keyseats
1/2	
5/8~7/16	3/16X3/32
15/16~1 1/4	1/4X1/8
15/16~1 3/8	5/16X5/32
1 7/16~1 9/16	3/8X3/16



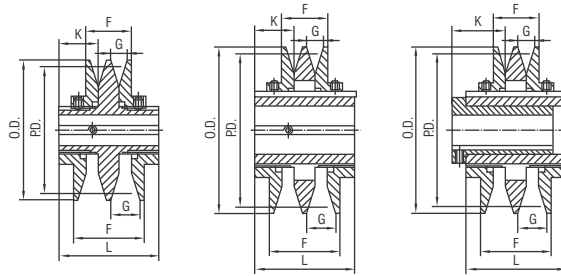
1 GROOVE • VARIABLE SPEED SHEAVES • A, B & 5V BELTS

1VP

Part No.	Type	DIAMETER RANGE															
		3L BELTS				4L or A BELTS				5L or B BELTS				5V BELTS			
		Min Pitch	Turns Open	Max Pitch	Turns Open	Min Pitch	Turns Open	Max Pitch	Turns Open	Min Pitch	Turns Open	Max Pitch	Turns Open	Min Pitch	Turns Open	Max Pitch	Turns Open
1VP25	1	1.6	4	2.4	0												
1VP30	1	1.8	4	2.7	0												
1VP34	1	1.7	4	2.5	0	1.9	5	2.9	0	2.4	5	3.2	1				
1VP40	1	2.3	4	3.1	0	2.4	5	3.4	0	2.7	6	3.7	1				
1VP44A	1	2.7	4	3.5	0	2.8	5	3.8	0	3.1	6	4.1	1				
1VP44B	2	2.7	4	3.5	0	2.8	5	3.8	0	3.1	6	4.1	1				
1VP50A	1	3.3	4	4.1	0	3.4	5	4.4	0	3.7	6	4.7	1				
1VP50B	2	3.3	4	4.1	0	3.4	5	4.4	0	3.7	6	4.7	1				
1VP56A	1	3.9	4	4.7	0	4.0	5	5.0	0	4.3	6	5.3	1				
1VP56B	2	3.9	4	4.7	0	4.0	5	5.0	0	4.3	6	5.3	1				
1VP60	2					4.2	5	5.2	0	4.3	6	5.5	0				
1VP62	2	4.5	4	5.3	0	4.6	5	5.6	0	4.9	6	5.9	1	5.3	6	6.3	1
1VP65	2					4.7	5	5.7	0	4.8	6	6.0	0	5.2	6	6.4	0
1VP68	2	5.1	4	5.9	0	5.2	5	6.2	0	5.5	6	6.5	1	5.9	6	6.9	1
1VP71	2					5.3	5	6.3	0	5.4	6	6.6	0	5.8	6	7.0	0
1VP75	2					5.7	5	6.7	0	5.8	6	7.0	0	6.2	6	7.4	0

VARIABLE PITCH

2VP • VARIABLE PITCH SHEAVES



Type 4

Type 5

Type 6

2VP

DIMENSIONS • FINISHED BORE

Part No.	Type	O.D.	F		G		L	K	Stock Bores Marked "●"										Wgt. Lbs.	
			Max	Min	Max	Min			1/2	5/8	3/4	7/8	1	1 1/8	1 1/4	1 3/8	1 5/8			
2VP36	4	3.35	2	1 3/8	1 3/16	1/2	3	1 3/16	●	●	●	●	●							3.4
2VP42	4	3.95	2 1/8	1 3/8	7/8	1/2	3	1 3/16		●	●	●	●	●						4.4
2VP50	5	4.75	2 1/8	1 3/8	7/8	1/2	3	1 3/16		●	●	●	●	●						6.3
2VP56	5	5.35	2 1/8	1 3/8	7/8	1/2	3	1 3/16		●	●	●	●	●						7.8
2VP60	5	6.00	2 3/8	1 5/8	1 1/32	2 1/32	3 1/4	1 1/4			●	●					●			10.6
2VP60A	6	6.00	2 3/8	1 5/8	1 1/32	2 1/32	3 3/4	1 3/4											●	10.4
2VP62	5	5.95	2 1/8	1 3/8	7/8	1/2	3	1 3/16			●	●	●	●	●					10.0
2VP65	5	6.50	2 3/8	1 5/8	1 1/32	2 1/32	3 1/4	1 1/4			●	●		●			●			12.3
2VP65A	6	6.50	2 3/8	1 5/8	1 1/32	2 1/32	3 3/4	1 3/4											●	12.0
2VP68	5	6.55	2 1/8	1 3/8	7/8	1/2	3	1 3/16				●	●	●	●	●				11.7
2VP71	5	7.10	2 3/8	1 5/8	1 1/32	2 1/32	3 1/4	1 1/4			●	●		●			●			14.6
2VP71A	6	7.10	2 3/8	1 5/8	1 1/32	2 1/32	3 1/4	1 3/4											●	14.4
2VP75	5	7.50	2 3/8	1 5/8	1 1/32	2 1/32	3 1/4	1 1/4			●	●		●			●			16.5
2VP75A	6	7.50	2 3/8	1 5/8	1 1/32	2 1/32	3 1/4	1 3/4											●	16.3

2 GROOVE • VARIABLE SPEED SHEAVES • 3L, 4L, 5L, A, B & 5V BELTS

Part No.	Type	DIAMETER RANGE																		
		3L BELTS				4L OR A BELTS				5L OR B BELTS				5V BELTS						
		Max Pitch	Min Open	Max Pitch	Turns Open	Max Pitch	Min Open	Max Pitch	Turns Open	Max Pitch	Min Open	Max Pitch	Turns Open	Max Pitch	Min Open	Max Pitch	Turns Open			
2VP36	4	1.9	4	2.7	0	2.0	5	3.0	0	2.5	5	3.3	1							
2VP42	4	2.5	4	3.3	0	2.6	5	3.6	0	2.9	6	3.9	1							
2VP50	5	3.3	4	4.1	0	3.4	5	4.4	0	3.7	6	4.7	1							
2VP56	5	3.9	4	4.7	0	4.0	5	5.0	0	4.3	6	5.3	1							
2VP60	5					4.2	5	5.2	0	4.3	6	5.5	0							
2VP60A	6					4.2	5	5.2	0	4.3	6	5.5	0							
2VP62	5	4.5	4	5.3	0	4.6	5	5.6	0	4.9	6	5.9	1	5.3	6	6.3	1			
2VP65	5					4.7	5	5.7	0	4.8	6	6.0	0	5.2	6	6.4	0			
2VP65A	6					4.7	5	5.7	0	4.8	6	6.0	0	5.2	6	6.4	0			
2VP68	5	5.1	4	5.9	0	5.2	5	6.2	0	5.5	6	6.5	1	5.9	6	6.9	1			
2VP71	5					5.3	5	6.3	0	5.4	6	6.6	0	5.8	6	7.0	0			
2VP71A	6					5.3	5	6.3	0	5.4	6	6.6	0	5.8	6	7.0	0			
2VP75	5					5.7	5	6.7	0	5.8	6	7.0	0	6.2	6	7.4	0			
2VP75A	6					5.7	5	6.7	0	5.8	6	7.0	0	6.2	6	7.4	0			

VARIABLE PITCH

A/B-C-D • CAST IRON SHEAVES



LEESON offers a comprehensive line of A/B-C-D pulleys for "Quick Detachable" (QD) taper bushings.

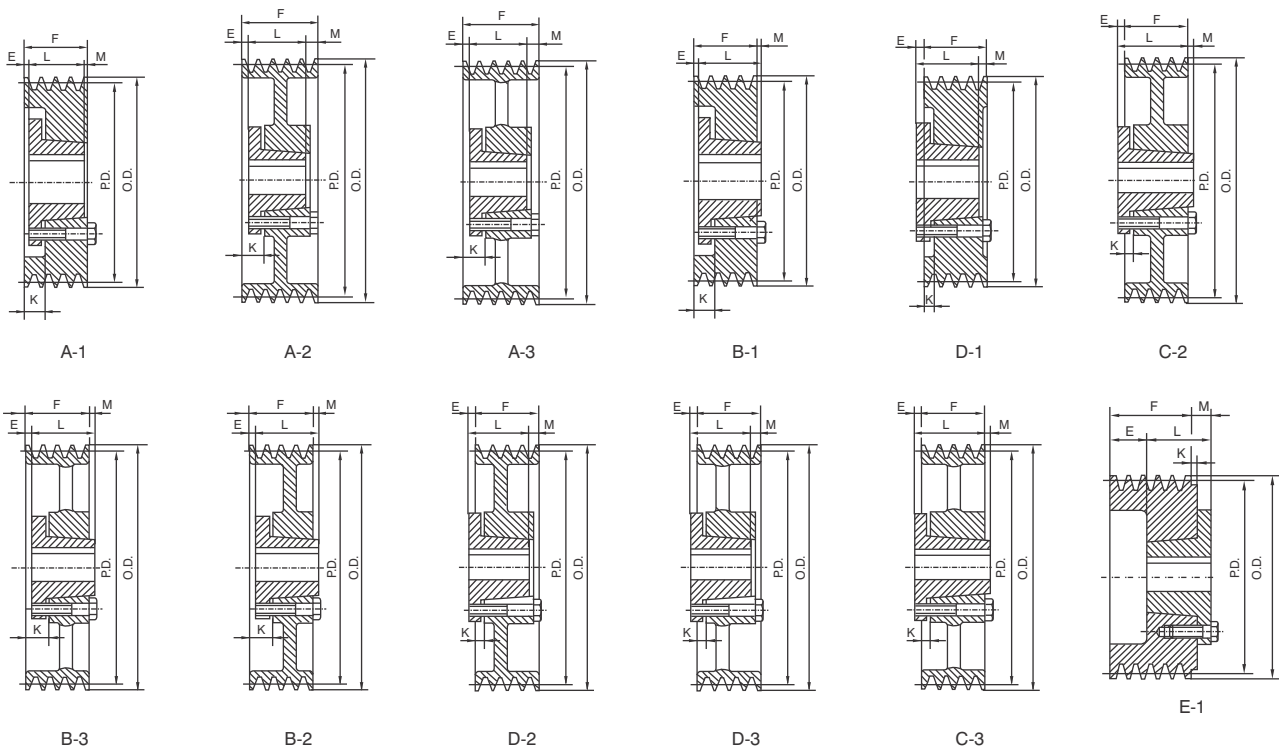
Also referred to as classical V-Belt sheaves each item is made under ISO quality assurance systems.

Features:

GG25 high performance cast iron

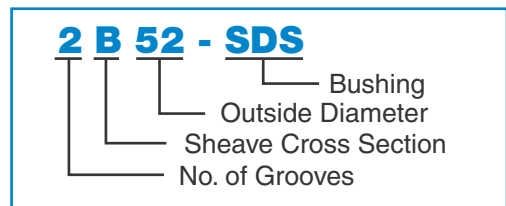
Precision CNC machining

Precision balancing to 06.3

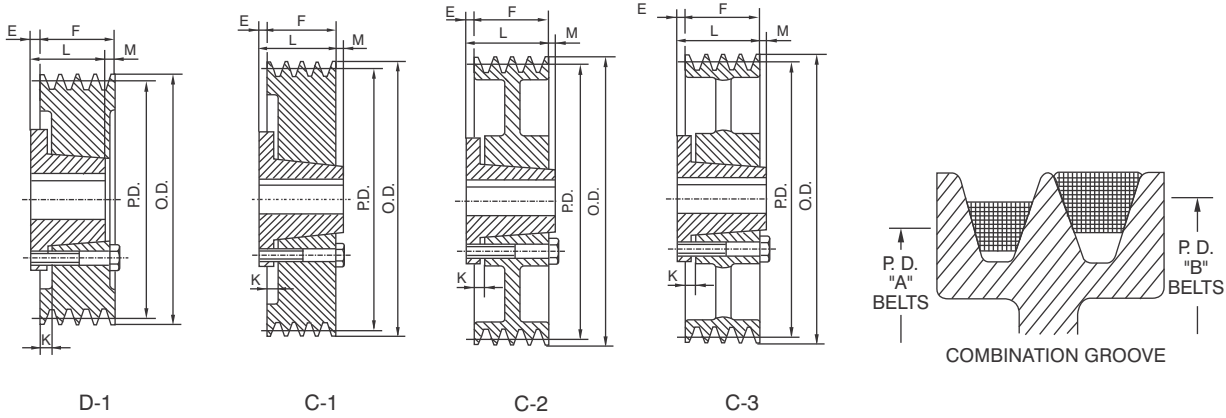


**NOMENCLATURE FOR TAPER-LOCK SHEAVES
FOR STANDARD NARROW V BELT**

HOW TO ORDER



A/B-C-D



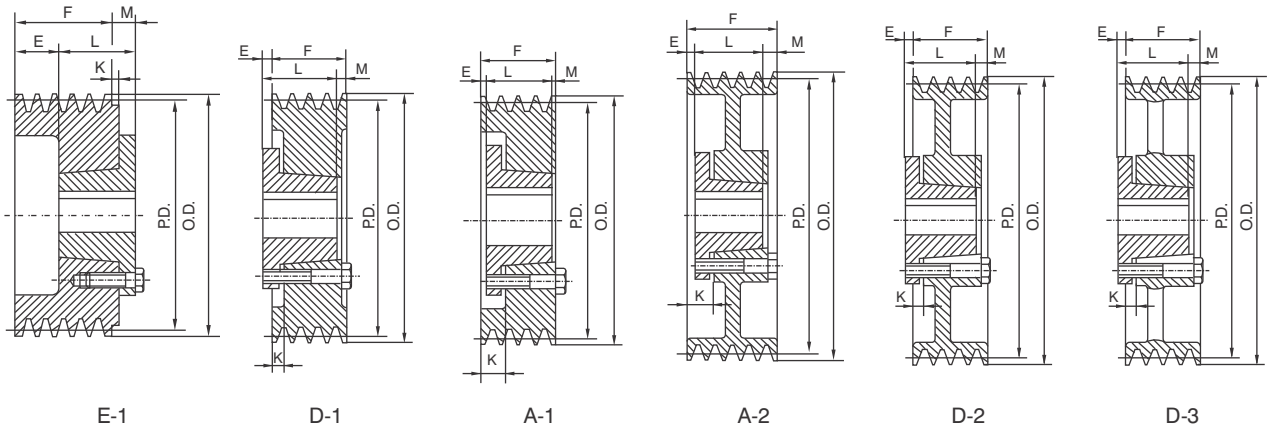
A/B-1

F = 1" (25.40mm)

Part No.	P.D.		O.D.	Bush	Type	Bush Max. Bore	E	K	L	M	Wgt. Less Bush
	A Belt	B Belt									
1B34-SH	3.00	3.40	3.75	SH	D 1	11/16	9/16	—	15/16	1/8	1.2
1B36-SH	3.20	3.60	3.95	SH	D 1	11/16	9/16	—	15/16	1/8	1.3
1B38-SH	3.40	3.80	4.15	SH	D 1	11/16	9/16	—	15/16	1/8	1.6
1B40-SH	3.60	4.00	4.35	SH	C 1	11/16	1/4	5/16	15/16	3/16	1.8
1B42-SH	3.80	4.20	4.55	SH	C 1	11/16	1/4	5/16	15/16	3/16	2.0
1B44-SH	4.00	4.40	4.75	SH	C 1	11/16	1/4	5/16	15/16	3/16	2.2
1B46-SDS	4.20	4.60	4.95	SDS	C 1	2	5/16	5/16	13/8	3/16	2.4
1B48-SDS	4.40	4.80	5.15	SDS	C 1	2	5/16	5/16	13/8	3/16	2.6
1B50-SDS	4.60	5.00	5.35	SDS	C 1	2	5/16	5/16	13/8	3/16	3.0
1B52-SDS	4.80	5.20	5.55	SDS	C 1	2	5/16	5/16	13/8	3/16	3.4
1B54-SDS	5.00	5.40	5.75	SDS	C 1	2	5/16	5/16	13/8	3/16	3.8
1B56-SDS	5.20	5.60	5.95	SDS	C 1	2	5/16	5/16	13/8	3/16	4.0
1B58-SDS	5.40	5.80	6.15	SDS	C 1	2	5/16	5/16	13/8	3/16	4.4
1B60-SDS	5.60	6.00	6.35	SDS	C 1	2	5/16	5/16	13/8	3/16	4.6
1B62-SDS	5.80	6.20	6.55	SDS	C 2	2	5/16	5/16	13/8	3/16	4.8
1B64-SDS	6.00	6.40	6.75	SDS	C 2	2	5/16	5/16	13/8	3/16	5.0
1B66-SDS	6.20	6.60	6.95	SDS	C 2	2	5/16	5/16	13/8	3/16	5.4
1B68-SDS	6.40	6.80	7.15	SDS	C 2	2	5/16	5/16	13/8	3/16	5.6
1B70-SDS	6.60	7.00	7.35	SDS	C 2	2	1/2	1/8	13/8	1/8	6.0
1B74-SDS	7.00	7.40	7.75	SDS	C 2	2	1/2	1/8	13/8	1/8	6.3
1B80-SDS	7.60	8.00	8.35	SDS	C 3	2	1/2	1/8	13/8	1/8	6.6
1B86-SDS	8.20	8.60	8.95	SDS	C 3	2	1/2	1/8	13/8	1/8	7.0
1B94-SDS	9.00	9.40	9.75	SDS	C 3	2	1/2	1/8	13/8	1/8	8.0
1B110-SDS	10.60	11.00	11.35	SDS	C 3	2	1/2	1/8	13/8	1/8	10.0
1B124-SDS	12.00	12.40	12.75	SDS	C 3	2	1/2	1/8	13/8	1/8	12.0
1B136-SDS	13.20	13.60	13.95	SDS	C 3	2	1/2	1/8	13/8	1/8	14.0
1B154-SK	15.00	15.40	15.75	SK	C 3	25/8	9/16	1/8	115/16	3/8	17.0
1B160-SK	15.60	16.00	16.35	SK	C 3	25/8	9/16	1/8	115/16	3/8	18.0
1B184-SK	18.00	18.40	18.75	SK	C 3	25/8	9/16	1/8	115/16	3/8	20.0
1B200-SK	19.60	20.00	20.35	SK	C 3	25/8	9/16	1/8	115/16	3/8	23.0

FOR QTL TAPER BUSHING - SEE PAGE 10

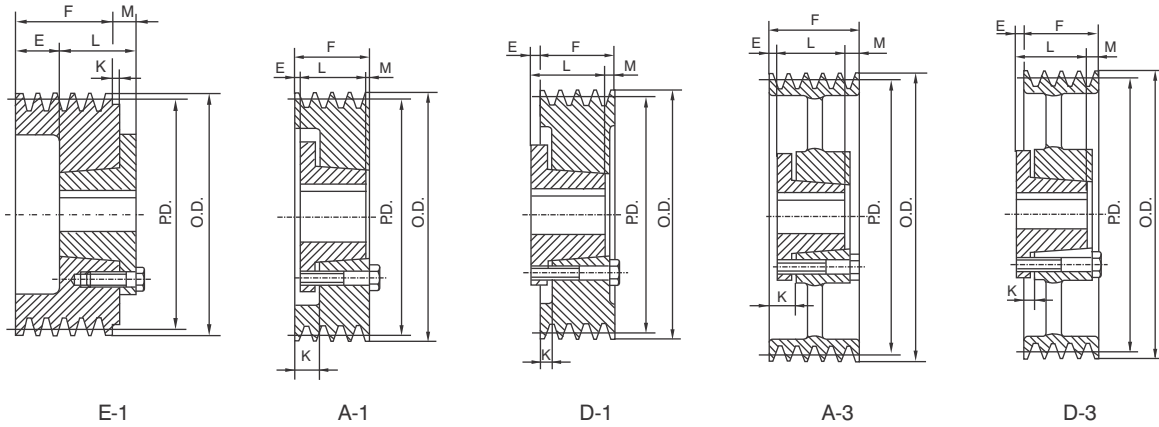
A/B-C-D



A/B-2

F = 1 3/4" (44.45mm)

Part No.	P.D.		O.D.	Bush	Type	Bush Max. Bore	E	K	L	M	Wgt. Less Bush
	A Belt	B Belt									
2B34-SH	3.00	3.40	3.75	SH	E 1	1 11/16	1	—	1 5/16	9/16	1.0
2B36-SH	3.20	3.60	3.95	SH	D 1	1 11/16	3/8	3/16	1 5/16	13/16	1.4
2B38-SH	3.40	3.80	4.15	SH	D 1	1 11/16	3/8	3/16	1 5/16	13/16	1.8
2B40-SH	3.60	4.00	4.35	SH	A 1	1 11/16	1/8	11/16	1 5/16	5/16	2.0
2B42-SH	3.80	4.20	4.55	SH	A 1	1 11/16	1/8	11/16	1 5/16	5/16	2.5
2B44-SH	4.00	4.40	4.75	SH	A 1	1 11/16	1/8	11/16	1 5/16	5/16	2.8
2B46-SDS	4.20	4.60	4.95	SDS	A 1	2	1/16	11/16	1 3/8	5/16	4.8
2B48-SDS	4.40	4.80	5.15	SDS	A 1	2	1/16	11/16	1 3/8	5/16	5.0
2B50-SDS	4.60	5.00	5.35	SDS	A 1	2	1/16	11/16	1 3/8	5/16	5.4
2B52-SDS	4.80	5.20	5.55	SDS	A 1	2	1/16	11/16	1 3/8	5/16	5.6
2B54-SDS	5.00	5.40	5.75	SDS	A 1	2	1/16	11/16	1 3/8	5/16	5.8
2B56-SDS	5.20	5.60	5.95	SDS	A 2	2	1/16	11/16	1 3/8	5/16	6.0
2B58-SDS	5.40	5.80	6.15	SDS	A 2	2	1/16	11/16	1 3/8	5/16	7.0
2B60-SDS	5.60	6.00	6.35	SDS	A 2	2	1/16	11/16	1 3/8	5/16	7.5
2B62-SDS	5.80	6.20	6.55	SDS	A 2	2	1/16	11/16	1 3/8	5/16	7.8
2B64-SDS	6.00	6.40	6.75	SDS	A 2	2	1/16	11/16	1 3/8	5/16	8.0
2B66-SDS	6.20	6.60	6.95	SDS	A 2	2	1/16	11/16	1 3/8	5/16	9.0
2 B 68 SDS	6.40	6.80	7.15	SDS	A 2	2	1/16	11/16	1 3/8	5/16	9.5
2B70-SK	6.60	7.00	7.35	SK	D 2	2 5/8	1/4	7/16	1 15/16	1/16	9.8
2B74-SK	7.00	7.40	7.75	SK	D 2	2 5/8	1/4	7/16	1 15/16	1/16	11.0
2B80-SK	7.60	8.00	8.35	SK	D 2	2 5/8	1/4	7/16	1 15/16	1/16	12.0
2B86-SK	8.20	8.60	8.95	SK	D 3	2 5/8	1/4	7/16	1 15/16	1/16	13.0
2B94-SK	9.00	9.40	9.75	SK	D 3	2 5/8	1/4	7/16	1 15/16	1/16	14.0
2B110-SK	10.60	11.00	11.35	SK	D 3	2 5/8	1/4	7/16	1 15/16	1/16	15.0
2B124-SK	12.00	12.40	12.75	SK	D 3	2 5/8	1/4	7/16	1 15/16	1/16	17.0
2B136-SK	13.20	13.60	13.95	SK	D 3	2 5/8	1/4	7/16	1 15/16	1/16	19.0
2B154-SK	15.00	15.40	15.75	SK	D 3	2 5/8	1/4	7/16	1 15/16	1/16	22.0
2B160-SK	15.60	16.00	16.35	SK	D 3	2 5/8	1/4	7/16	1 15/16	1/16	25.0
2B184-SK	18.00	18.40	18.75	SK	D 3	2 5/8	1/4	7/16	1 15/16	1/16	30.0
2B200-SF	19.60	20.00	20.35	SF	D 3	2 15/16	5/16	3/8	2 1/16	—	39.0
2B250-SF	24.60	25.00	25.35	SF	D 3	2 15/16	5/16	3/8	2 1/16	—	61.0
2B300-SF	29.60	30.00	30.35	SF	D 3	2 15/16	5/16	3/8	2 1/16	—	64.0
2B380-SF	37.60	38.00	38.35	SF	D 3	2 15/16	5/16	3/8	2 1/16	—	86.0

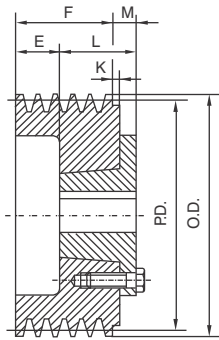


A/B-3

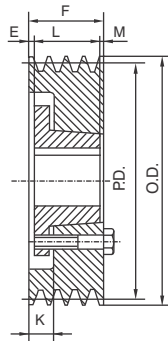
F=2 1/2" (63.50mm)

Part No.	P.D.		O.D.	Bush	Type	Bush Max. Bore	E	K	L	M	Wgt. Less Bush
	A Belt	B Belt									
3B34-SH	3.00	3.40	3.75	SH	E 1	1 11/16	13/4	—	15/16	9/16	3.4
3B36-SH	3.20	3.60	3.95	SH	D 1	1 11/16	3/8	3/16	15/16	19/16	3.8
3B38-SH	3.40	3.80	4.15	SH	D 1	1 11/16	3/8	3/16	15/16	19/16	4.0
3B40-SH	3.60	4.00	4.35	SH	A 1	1 11/16	1/2	1 1/16	15/16	11/16	4.5
3B42-SH	3.80	4.20	4.55	SH	A 1	1 11/16	1/2	1 1/16	15/16	11/16	5.0
3B44-SH	4.00	4.40	4.75	SH	A 1	1 11/16	1/2	1 1/16	15/16	11/16	5.5
3B46-SD	4.20	4.60	4.95	SD	A 1	2	7/16	1 1/16	1 13/16	1/4	6.0
3B48-SD	4.40	4.80	5.15	SD	A 1	2	7/16	1 1/16	1 13/16	1/4	6.5
3B50-SD	4.60	5.00	5.35	SD	A 1	2	7/16	1 1/16	1 13/16	1/4	7.0
3B52-SD	4.80	5.20	5.55	SD	A 1	2	7/16	1 1/16	1 13/16	1/4	8.0
3B54-SD	5.00	5.40	5.75	SD	A 1	2	7/16	1 1/16	1 13/16	1/4	8.5
3B56-SD	5.20	5.60	5.95	SD	A 1	2	7/16	1 1/16	1 13/16	1/4	9.0
3B58-SD	5.40	5.80	6.15	SD	A 1	2	7/16	1 1/16	1 13/16	1/4	10.0
3B60-SD	5.60	6.00	6.35	SD	A 1	2	7/16	1 1/16	1 13/16	1/4	11.0
3B62-SD	5.80	6.20	6.55	SD	A 1	2	7/16	1 1/16	1 13/16	1/4	12.0
3B64-SD	6.00	6.40	6.75	SD	A 1	2	7/16	1 1/16	1 13/16	1/4	12.36
3B66-SD	6.20	6.60	6.95	SD	A 1	2	7/16	1 1/16	1 13/16	1/4	12.6
3B68-SD	6.40	6.80	7.15	SD	A 1	2	7/16	1 1/16	1 13/16	1/4	13.0
3B70-SK	6.60	7.00	7.35	SK	A 1	2 5/8	—	1 1/16	1 15/16	9/16	14.0
3B74-SK	7.00	7.40	7.75	SK	A 1	2 5/8	—	1 1/16	1 15/16	9/16	15.0
3B80-SK	7.60	8.00	8.35	SK	A 1	2 5/8	—	1 1/16	1 15/16	9/16	16.0
3B86-SK	8.20	8.60	8.95	SK	A 3	2 5/8	—	1 1/16	1 15/16	9/16	17.0
3B94-SK	9.00	9.40	9.75	SK	A 3	2 5/8	—	1 1/16	1 15/16	9/16	18.0
3B110-SK	10.60	11.00	11.35	SK	A 3	2 5/8	—	1 1/16	1 15/16	9/16	19.0
3B124-SK	12.00	12.40	12.75	SK	A 3	2 5/8	—	1 1/16	1 15/16	9/16	22.0
3B136-SK	13.20	13.60	13.95	SK	A 3	2 5/8	—	1 1/16	1 15/16	9/16	24.1
3B154-SK	15.00	15.40	15.75	SK	A 3	2 5/8	—	1 1/16	1 15/16	9/16	28.0
3B160-SK	15.60	16.00	16.35	SK	A 3	2 5/8	—	1 1/16	1 15/16	9/16	29.0
3B184-SK	18.00	18.40	18.75	SK	A 3	2 5/8	—	1 1/16	1 15/16	9/16	37.0
3B200-SF	19.60	20.00	20.35	SF	D 3	2 5/16	1/16	5/8	2 1/16	1/2	39.0
3B250-SF	24.60	25.00	25.35	SF	D 3	2 5/16	1/16	5/8	2 1/16	1/2	67.0
3B300-SF	29.60	30.00	30.35	SF	D 3	2 5/16	1/16	5/8	2 1/16	1/2	74.0
3B380-E	37.60	38.00	38.35	E	D 3	3 1/2	1/4	5/8	2 5/8	1/8	122.0

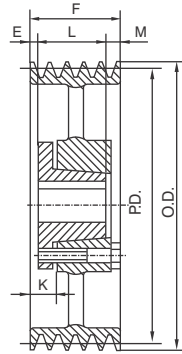
FOR QTL TAPER BUSHING - SEE PAGE 10



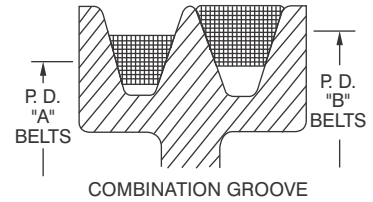
E-1



A-1



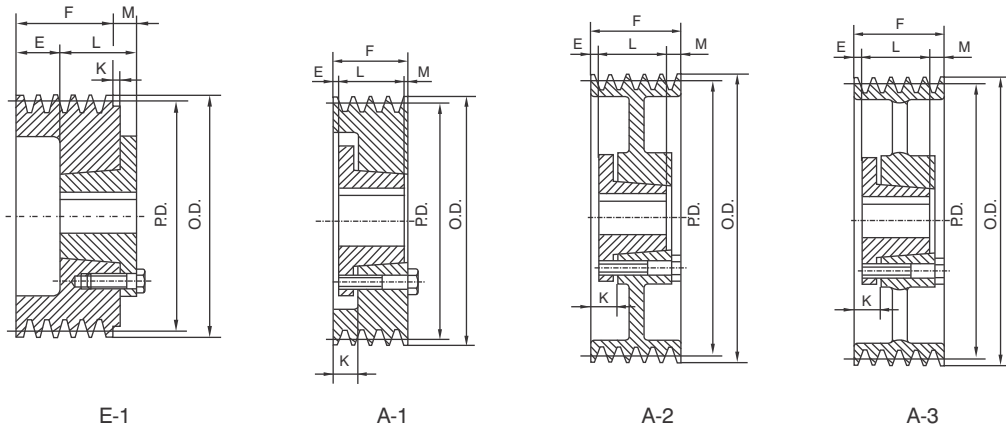
A-3



A/B-4

F=3 1/4" (82.55mm)

Part No.	P.D.		O.D.	Bush	Type	Bush Max. Bore	E	K	L	M	Wgt. Less Bush
	A Belt	B Belt									
4B34-SD	3.00	3.40	3.75	SD	E 1	2	23/8	5/16	1 13/16	15/16	4
4B36-SD	3.20	3.60	3.95	SD	E 1	2	23/8	5/16	1 13/16	15/16	5
4B38-SD	3.40	3.80	4.15	SD	E 1	2	23/8	5/16	1 13/16	15/16	5
4B40-SD	3.60	4.00	4.35	SD	E 1	2	21/16	—	1 13/16	5/8	6
4B42-SD	3.80	4.20	4.55	SD	E 1	2	21/16	—	1 13/16	5/8	7
4B44-SD	4.00	4.40	4.75	SD	E 1	2	21/16	—	1 13/16	5/8	7
4B46-SD	4.20	4.60	4.95	SD	A 1	2	11/16	15/16	1 13/16	3/4	7
4B48-SD	4.40	4.80	5.15	SD	A 1	2	11/16	15/16	1 13/16	3/4	8
4B50-SD	4.60	5.00	5.35	SD	A 1	2	11/16	15/16	1 13/16	3/4	9
4B52-SD	4.80	5.20	5.55	SD	A 1	2	11/16	15/16	1 13/16	3/4	10.0
4B54-SD	5.00	5.40	5.75	SD	A 1	2	11/16	15/16	1 13/16	3/4	10.5
4B56-SD	5.20	5.60	5.95	SD	A 1	2	11/16	15/16	1 13/16	3/4	11.0
4B58-SD	5.40	5.80	6.15	SD	A 1	2	11/16	15/16	1 13/16	3/4	12.0
4B60-SD	5.60	6.00	6.35	SD	A 1	2	11/16	15/16	1 13/16	3/4	12.5
4B62-SD	5.80	6.20	6.55	SD	A 1	2	11/16	15/16	1 13/16	3/4	13.0
4B64-SD	6.00	6.40	6.75	SD	A 1	2	11/16	15/16	1 13/16	3/4	14.0
4B66-SD	6.20	6.60	6.95	SD	A 1	2	11/16	15/16	1 13/16	3/4	14.5
4B68-SD	6.40	6.80	7.15	SD	A 1	2	11/16	15/16	1 13/16	3/4	15.0
4B70-SK	6.60	7.00	7.35	SK	A 1	25/8	5/16	1	1 15/16	1	15.5
4B74-SK	7.00	7.40	7.75	SK	A 1	25/8	5/16	1	1 15/16	1	16.0
4B80-SK	7.60	8.00	8.35	SK	A 1	25/8	5/16	1	1 15/16	1	17.0
4B86-SK	8.20	8.60	8.95	SK	A 3	25/8	5/16	1	1 15/16	1	18.0
4B94-SK	9.00	9.40	9.75	SK	A 3	25/8	5/16	1	1 15/16	1	19.0
4B110-SK	10.60	11.00	11.35	SK	A 3	25/8	5/16	1	1 15/16	1	24.0
4B124-SK	12.00	12.40	12.75	SK	A 3	25/8	5/16	1	1 15/16	1	26.0
4B136-SK	13.20	13.60	13.95	SK	A 3	25/8	5/16	1	1 15/16	1	28.0
4B154-SF	15.00	15.40	15.75	SF	A 3	25/16	5/16	1	2 1/16	7/8	41.0
4B160-SF	15.60	16.00	16.35	SF	A 3	25/16	5/16	1	2 1/16	7/8	42.0
4B184-SF	18.00	18.40	18.75	SF	A 3	25/16	5/16	1	2 1/16	7/8	48.0
4B200-SF	19.60	20.00	20.35	SF	A 3	25/16	5/16	1	2 1/16	7/8	58.0
4B250-E	24.60	25.00	25.35	E	A 3	31/2	1/8	1	2 5/8	1/2	78.0
4B300-E	29.60	30.00	30.35	E	A 3	31/2	1/8	1	2 5/8	1/2	93.0
4B380-E	37.60	38.00	38.35	E	A 3	31/2	1/8	1	2 5/8	1/2	138

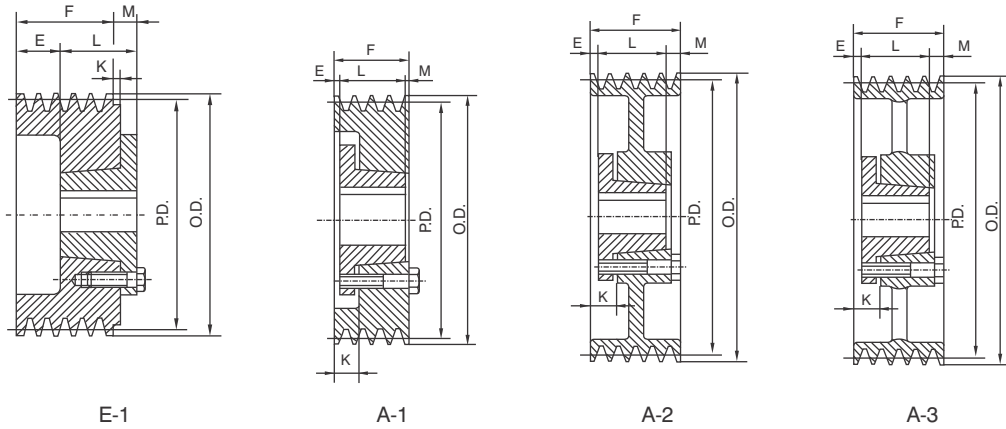


A/B-5

F=4" (101.60mm)

Part No.	P.D.		O.D.	Bush	Type	Bush Max. Bore	E	K	L	M	Wgt. Less Bush
	A Belt	B Belt									
5B34-SD	3.00	3.40	3.75	SD	E1	2	3/4	7/16	1 13/16	1 1/16	5.0
5B36-SD	3.20	3.60	3.95	SD	E1	2	3/4	7/16	1 13/16	1 1/16	6.0
5B38-SD	3.40	3.80	4.15	SD	E1	2	3/8	5/16	1 13/16	15/16	6.5
5B40-SD	3.60	4.00	4.35	SD	E1	2	2 13/16	—	1 13/16	5/8	7.0
5B42-SD	3.80	4.20	4.55	SD	E1	2	2 13/16	—	1 13/16	5/8	7.5
5B44-SD	4.00	4.40	4.75	SD	E1	2	2 13/16	—	1 13/16	5/8	8.0
5B46-SD	4.20	4.60	4.95	SD	A1	2	1 1/16	15/16	1 13/16	1 1/2	9.0
5B48-SD	4.40	4.80	5.15	SD	A1	2	1 1/16	15/16	1 13/16	1 1/2	9.5
5B50-SD	4.60	5.00	5.35	SD	A1	2	1 1/16	15/16	1 13/16	1 1/2	10.0
5B52-SD	4.80	5.20	5.55	SD	A1	2	1 1/16	15/16	1 13/16	1 1/2	10.5
5B54-SK	5.00	5.40	5.75	SK	A1	25/8	5/8	15/16	1 15/16	1 7/16	11.0
5B56-SK	5.20	5.60	5.95	SK	A1	25/8	5/8	15/16	1 15/16	1 7/16	11.5
5B58-SK	5.40	5.80	6.15	SK	A1	25/8	5/8	15/16	1 15/16	1 7/16	12.0
5B60-SK	5.60	6.00	6.35	SK	A1	25/8	5/8	15/16	1 15/16	1 7/16	13.0
5B62-SK	5.80	6.20	6.55	SK	A1	25/8	5/8	15/16	1 15/16	1 7/16	14.0
5B64-SK	6.00	6.40	6.75	SK	A1	25/8	5/8	15/16	1 15/16	1 7/16	15.0
5B66-SK	6.20	6.60	6.95	SK	A1	25/8	5/8	15/16	1 15/16	1 7/16	16.0
5B68-SK	6.40	6.80	7.15	SK	A1	25/8	5/8	15/16	1 15/16	1 7/16	17.0
5B70-SF	6.60	7.00	7.35	SF	A1	2 15/16	5/8	15/16	2 1/16	15/16	18.0
5B74-SF	7.00	7.40	7.75	SF	A1	2 15/16	5/8	15/16	2 1/16	15/16	20.0
5B80-SF	7.60	8.00	8.35	SF	A1	2 15/16	5/8	15/16	2 1/16	15/16	23.0
5B86-SF	8.20	8.60	8.95	SF	A2	2 15/16	5/8	15/16	2 1/16	15/16	24.0
5B94-SF	9.00	9.40	9.75	SF	A2	2 15/16	5/8	15/16	2 1/16	15/16	26.0
5B110-SF	10.60	11.00	11.35	SF	A2	2 15/16	5/8	15/16	2 1/16	15/16	32.0
5B124-SF	12.00	12.40	12.75	SF	A3	2 15/16	5/8	15/16	2 1/16	15/16	35.0
5B136-SF	13.20	13.60	13.95	SF	A3	2 15/16	5/8	15/16	2 1/16	15/16	36.0
5B154-SF	15.00	15.40	15.75	SF	A3	2 15/16	5/8	15/16	2 1/16	15/16	46.0
5B160-SF	15.60	16.00	16.35	SF	A3	2 15/16	5/8	15/16	2 1/16	15/16	48.0
5B184-SF	18.00	18.40	18.75	SF	A3	2 15/16	5/8	15/16	2 1/16	15/16	50.0
5B200-E	19.60	20.00	20.35	E	A3	3 1/2	3/8	1 1/4	25/8	1	72.0
5B250-E	24.60	25.00	25.35	E	A3	3 1/2	3/8	1 1/4	25/8	1	90.0
5B300-E	29.60	30.00	30.35	E	A3	3 1/2	3/8	1 1/4	25/8	1	108
5B380-E	37.60	38.00	38.35	E	A3	3 1/2	3/8	1 1/4	25/8	1	145

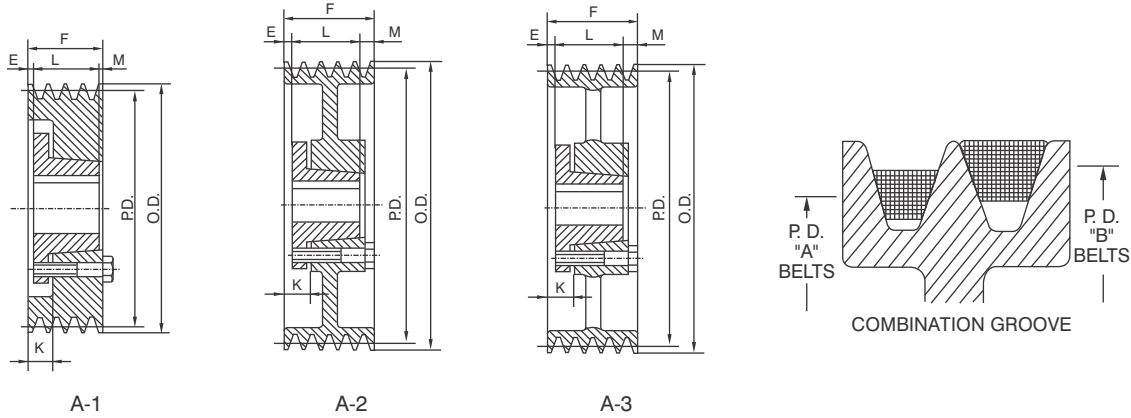
FOR QTL TAPER BUSHING - SEE PAGE 10



A/B-6

F=4 3/4" (120.65mm)

Part No.	P.D.		O.D.	Bush	Type	Bush Max. Bore	E	K	L	M	Wgt. Less Bush
	A Belt	B Belt									
6B34-SD	3.00	3.40	3.75	SD	E 1	2	37/8	5/16	1 13/16	15/16	6.0
6B36-SD	3.20	3.60	3.95	SD	E 1	2	37/8	5/16	1 13/16	13/16	7.0
6B38-SD	3.40	3.80	4.15	SD	E 1	2	37/8	5/16	1 13/16	13/16	7.5
6B40-SD	3.60	4.00	4.35	SD	E 1	2	39/16	—	1 13/16	5/8	8.0
6B42-SD	3.80	4.20	4.55	SD	E 1	2	39/16	—	1 13/16	5/8	9.0
6B44-SD	4.00	4.40	4.75	SD	E 1	2	39/16	—	1 13/16	5/8	9.5
6B46-SD	4.20	4.60	4.95	SD	A 1	2	9/16	13/16	1 13/16	23/8	10.0
6B48-SD	4.40	4.80	5.15	SD	A 1	2	21/4	13/16	1 13/16	23/8	10.5
6B50-SD	4.60	5.00	5.35	SD	A 1	2	21/4	13/16	1 13/16	23/8	11.0
6B52-SD	4.80	5.20	5.55	SD	A 1	2	21/4	13/16	1 13/16	23/8	11.5
6B54-SK	5.00	5.40	5.75	SK	A 1	25/8	5/8	15/16	1 15/16	23/16	12.0
6B56-SK	5.20	5.60	5.95	SK	A 1	25/8	5/8	15/16	1 15/16	23/16	13.0
6B58-SK	5.40	5.80	6.15	SK	A 1	25/8	5/8	15/16	1 15/16	23/16	14.0
6B60-SK	5.60	6.00	6.35	SK	A 1	25/8	5/8	15/16	1 15/16	23/16	15.0
6B62-SK	5.80	6.20	6.55	SK	A 1	25/8	5/8	15/16	1 15/16	23/16	16.0
6B64-SK	6.00	6.40	6.75	SK	A 1	25/8	5/8	15/16	1 15/16	23/16	17.0
6B66-SK	6.20	6.60	6.95	SK	A 1	25/8	5/8	15/16	1 15/16	23/16	18.0
6B68-SK	6.40	6.80	7.15	SK	A 1	25/8	5/8	15/16	1 15/16	23/16	19.0
6B70-SF	6.60	7.00	7.35	SF	A 1	215/16	1	1 11/16	21/16	1 11/16	19.5
6B74-SF	7.00	7.40	7.75	SF	A 1	215/16	1	1 11/16	21/16	1 11/16	22.0
6B80-SF	7.60	8.00	8.35	SF	A 1	215/16	1	1 11/16	21/16	1 11/16	25.0
6B86-SF	8.20	8.60	8.95	SF	A 2	215/16	1	1 11/16	21/16	1 11/16	28.0
6B94-SF	9.00	9.40	9.75	SF	A 2	215/16	1	1 11/16	21/16	1 11/16	29.0
6B110-SF	10.60	11.00	11.35	SF	A 2	215/16	1	1 11/16	21/16	1 11/16	30.0
6B124-SF	12.00	12.40	12.75	SF	A 3	215/16	1	1 11/16	21/16	1 11/16	40.0
6B136-SF	13.20	13.60	13.95	SF	A 3	215/16	1	1 11/16	21/16	1 11/16	45.0
6B154-SF	15.00	15.40	15.75	SF	A 3	215/16	1	1 11/16	21/16	1 11/16	46.0
6B160-SF	15.60	16.00	16.35	SF	A 3	215/16	1	1 11/16	21/16	1 11/16	50.0
6B184-SF	18.00	18.40	18.75	SF	A 3	215/16	1	1 11/16	21/16	1 11/16	60.0
6B200-E	19.60	20.00	20.35	E	A 3	31/2	1/2	13/8	25/8	15/8	78.0
6B250-E	24.60	25.00	25.35	E	A 3	31/2	1/2	13/8	25/8	15/8	98.0
6B300-E	29.60	30.00	30.35	E	A 3	31/2	1/2	13/8	25/8	15/8	109
6B380-E	37.60	38.00	38.35	E	A 3	31/2	1/2	13/8	25/8	15/8	173



A/B-8

F=6 1/4"(158.75mm)

Part No.	P.D.		O.D.	Bush	Type	Bush Max Bore	E	K	L	M	Wgt. Less Bush
	A Belt	B Belt									
8B54-SK	5.00	5.40	5.75	SK	A 1	25/8	1/8	1 13/16	1 15/16	33/16	14.0
8B56-SK	5.20	5.60	5.95	SK	A 1	25/8	1/8	1 13/16	1 15/16	33/16	16.0
8B58-SK	5.40	5.80	6.15	SK	A 1	25/8	1/8	1 13/16	1 15/16	33/16	16.5
8B60-SF	5.60	6.00	6.35	SF	A 1	2 15/16	1/8	1 13/16	2 1/16	3 1/16	17.0
8B62-SF	5.80	6.20	6.55	SF	A 1	2 15/16	1/8	1 13/16	2 1/16	3 1/16	18.0
8B64-SF	6.00	6.40	6.75	SF	A 1	2 15/16	1/8	1 13/16	2 1/16	3 1/16	18.5
8B66-SF	6.20	6.60	6.95	SF	A 1	2 15/16	1/8	1 13/16	2 1/16	3 1/16	21.0
8B68-SF	6.40	6.80	7.15	SF	A 1	2 15/16	1/8	1 13/16	2 1/16	3 1/16	22.0
8B70-SF	6.60	7.00	7.35	SF	A 1	2 15/16	1/8	1 13/16	2 1/16	3 1/16	22.5
8B74-SF	7.00	7.40	7.75	SF	A 1	2 15/16	1/8	1 13/16	2 1/16	3 1/16	25.0
8B80-SF	7.60	8.00	8.35	SF	A 1	2 15/16	1/8	1 13/16	2 1/16	3 1/16	29.0
8B86-E	8.20	8.60	8.95	E	A 1	3 1/2	1/2	2 3/8	2 5/8	2 1/8	34.0
8B94-E	9.00	9.40	9.75	E	A 1	3 1/2	1/2	2 3/8	2 5/8	2 1/8	40.0
8B110-E	10.60	11.00	11.35	E	A 2	3 1/2	1/2	2 3/8	2 5/8	2 1/8	47.0
8B124-E	12.00	12.40	12.75	E	A 3	3 1/2	1/2	2 3/8	2 5/8	2 1/8	52.0
8B136-E	13.20	13.60	13.95	E	A 3	3 1/2	1/2	2 3/8	2 5/8	2 1/8	60.0
8B154-E	15.00	15.40	15.75	E	A 3	3 1/2	1/2	2 3/8	2 5/8	2 1/8	82.0
8B160-E	15.60	16.00	16.35	E	A 3	3 1/2	1/2	2 3/8	2 5/8	2 1/8	90.0
8B184-F	18.00	18.40	18.75	F	A 3	3 15/16	5/16	1 5/16	3 5/8	2 5/16	110
8B200-F	19.60	20.00	20.35	F	A 3	3 15/16	5/16	1 5/16	3 5/8	2 5/16	122
8B250-F	24.60	25.00	25.35	F	A 3	3 15/16	5/16	1 5/16	3 5/8	2 5/16	138
8B300-F	29.60	30.00	30.35	F	A 3	3 15/16	5/16	1 5/16	3 5/8	2 5/16	168
8B380-F	37.60	38.00	38.35	F	A 3	3 15/16	5/16	1 5/16	3 5/8	2 5/16	222

BORE RANGE FOR QTL BUSHING

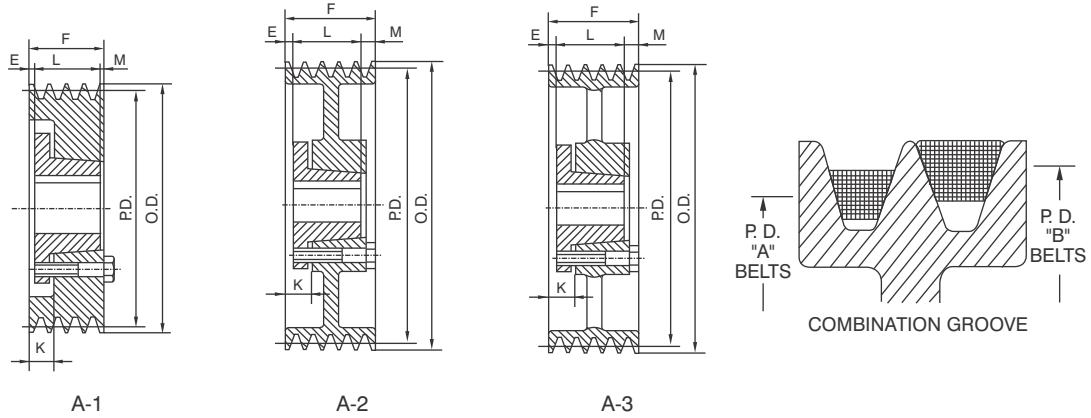
Bush. Sym.	Min. Bore	Max. Bore with:		
		Full Keyway	Shallow Keyway	No Keyway
SH	1/2	1-3/8	1-5/8	1-11/16
SDS	1/2	1 5/8	1-15/16	2
SD	1/2	1 5/8	1-15/16	2
SK	1/2	2-1/8	2-1/2	2 5/8, 2 9/16
SF	1/2	2 1/4	2 7/8	2-15/16
E	7/8	2-7/8	3-1/2	—
F	1	3-1/4	3-15/16	4

STANDARD KEYWAY & KEY DIMENSION

Bores	Key Seat	Key
1/2-9/16	1/8x1/16	1/8x1/8
5/8-7/8	3/16x3/32	3/16x3/16
15/16-1 1/4	1/4x1/8	1/4x1/4
1 5/16-1 3/8	5/16x5/32	5/16x5/16
1 7/16-1 3/4	3/8x3/16	3/8x3/8
1 13/16-2 1/4	1/2x1/4	1/2x1/2
2 5/16-2 3/4	5/8x5/16	5/8x5/8
2 13/16-3 1/4	3/4x3/8	3/4x3/4
3 5/16-3 3/4	7/8x7/16	7/8x7/8
3 13/16-4 1/2	1x1/2	1x1

FOR QTL TAPER BUSHING - SEE PAGE 10

A/B-C-D



A/B-10

F=7 3/4"(196.85mm)

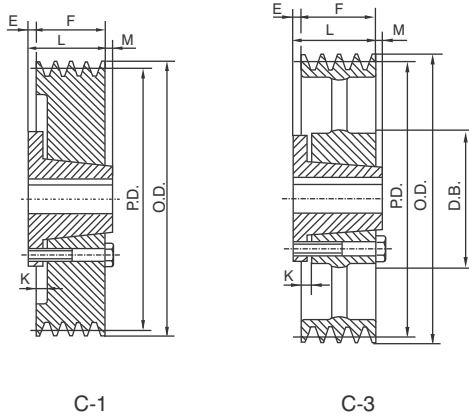
Part No.	P.D.		O.D.	Bush	Type	Bush Max Bore	E	K	L	M	Wgt. Less Bush
	A Belt	B Belt									
10B54-SK	5.00	5.40	5.75	SK	A1	25/8	17/8	29/16	115/16	315/16	15
10B56-SK	5.20	5.60	5.95	SK	A1	25/8	17/8	29/16	115/16	315/16	18
10B58-SK	5.40	5.80	6.15	SK	A1	25/8	17/8	29/16	115/16	315/16	20
10B60-SF	5.60	6.00	6.35	SF	A1	215/16	17/8	29/16	21/16	313/16	22
10B62-SF	5.80	6.20	6.55	SF	A1	215/16	17/8	29/16	21/16	313/16	24
10B64-SF	6.00	6.40	6.75	SF	A1	215/16	17/8	29/16	21/16	313/16	25
10B66-SF	6.20	6.60	6.95	SF	A1	215/16	17/8	29/16	21/16	313/16	26
10B68-SF	6.40	6.80	7.15	SF	A1	215/16	17/8	29/16	21/16	313/16	27
10B70-SF	6.60	7.00	7.35	SF	A1	215/16	17/8	29/16	21/16	313/16	28
10B74-SF	7.00	7.40	7.75	SF	A1	215/16	17/8	29/16	21/16	313/16	31
10B80-SF	7.60	8.00	8.35	SF	A1	215/16	17/8	29/16	21/16	313/16	35
10B86-E	8.20	8.60	8.95	E	A1	31/2	21/4	31/8	25/8	27/8	38
10B94-E	9.00	9.40	9.75	E	A1	31/2	21/4	31/8	25/8	27/8	45
10B110-E	10.60	11.00	11.35	E	A2	31/2	21/4	31/8	25/8	27/8	59
10B124-E	12.00	12.40	12.75	E	A3	31/2	21/4	31/8	25/8	27/8	63
10B136-F	13.20	13.60	13.95	F	A3	315/16	11/16	21/16	35/8	31/16	78
10B154-F	15.00	15.40	15.75	F	A3	315/16	11/16	21/16	35/8	31/16	90
10B160-F	15.60	16.00	16.35	F	A3	315/16	11/16	21/16	35/8	31/16	96
10B184-F	18.00	18.40	18.75	F	A3	315/16	11/16	21/16	35/8	31/16	113
10B200-F	19.60	20.00	20.35	F	A3	315/16	11/16	21/16	35/8	31/16	124
10B250-F	24.60	25.00	25.35	F	A3	315/16	11/16	21/16	35/8	31/16	138
10B300-F	29.60	30.00	30.35	F	A3	315/16	11/16	21/16	35/8	31/16	200
10B380-J	37.60	38.00	38.35	J	A3	41/2	3/8	19/16	41/2	27/8	279

BORE RANGE FOR QTL BUSHING

Bush. Sym.	Min. Bore	Max. Bore with:		
		Full Keyway	Shallow Keyway	No Keyway
SK	1/2	2-1/8	2-1/2	25/8, 29/16
SF	1/2	21/4	27/8	2-15/16
E	7/8	2-7/8	3-1/2	—
F	1	3-1/4	3-15/16	4
J	1-1/2	313/16	4-1/2	—

STANDARD KEYWAY & KEY DIMENSION

Bores	Key Seat	Key
1/2-9/16	1/8x1/16	1/8x1/8
5/8-7/8	3/16x3/32	3/16x3/16
15/16-11/4	1/4x1/8	1/4x1/4
15/16-13/8	5/16x5/32	5/16x5/16
17/16-13/4	3/8x3/16	3/8x3/8
113/16-21/4	1/2x1/4	1/2x1/2
25/16-23/4	5/8x5/16	5/8x5/8
213/16-31/4	3/4x3/8	3/4x3/4
35/16-33/4	7/8x7/16	7/8x7/8
313/16-41/2	1x1/2	1x1



BORE RANGE FOR QTL BUSHING

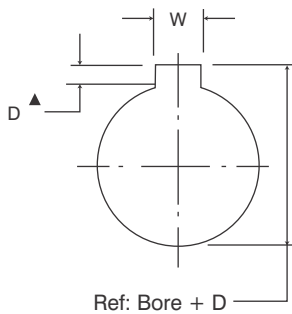
Bush. Sym.	Min. Bore	Max. Bore with:		
		Full Keyway	Shallow Keyway	No Keyway
SDS	1/2	15/8	1-15/16	2
SD	1/2	15/8	1-15/16	2
SK	1/2	2-1/8	2-1/2	25/8, 29/16
SF	1/2	2 1/4	2 7/8	2-15/16
E	7/8	2-7/8	3-1/2	—
F	1	3-1/4	3-15/16	4
J	1-1/2	3 13/16	4-1/2	—
M	2	4 11/16	5 1/2	—
N	2-7/16	5 1/16	5-7/8	—
P	2-15/16	5 13/16	7	—

C-1

F = 1 3/8" (34.93mm)

Part No.	O.D.	PD.	Bush Max Bore	Bush	Type	Db*	E	K	L	M	Wgt. Less Bush
1C60-SK	6.40	6.00	25/8	SK	C1	—	9/16	1/8	1 15/16	—	9.4
1C70-SF	7.40	7.00	2 15/16	SF	C1	—	9/16	1/8	2 1/16	1/8	9.8
1C75-SF	7.90	7.50	2 15/16	SF	C1	—	9/16	1/8	2 1/16	1/8	11.0
1C80-SF	8.40	8.00	2 15/16	SF	C1	—	9/16	1/8	2 1/16	1/8	13.0
1C85-SF	8.90	8.50	2 15/16	SF	C1	—	9/16	1/8	2 1/16	1/8	13.2
1C90-SF	9.40	9.00	2 15/16	SF	C2	5	9/16	1/8	2 1/16	1/8	13.5
1C95-SF	9.90	9.50	2 15/16	SF	C3	5	9/16	1/8	2 1/16	1/8	13.8
1C100-SF	10.40	10.00	2 15/16	SF	C3	5	9/16	1/8	2 1/16	1/8	14.0
1C105-SF	10.90	10.50	2 15/16	SF	C3	5	9/16	1/8	2 1/16	1/8	15.0
1C110-SF	11.40	11.00	2 15/16	SF	C3	5	9/16	1/8	2 1/16	1/8	15.8
1C120-SF	12.40	12.00	2 15/16	SF	C3	5	9/16	1/8	2 1/16	1/8	17.0
1C130-SF	13.40	13.00	2 15/16	SF	C3	5	9/16	1/8	2 1/16	1/8	18.0
1C140-SF	14.40	14.00	2 15/16	SF	C3	5	9/16	1/8	2 1/16	1/8	20.0
1C150-SF	15.40	15.00	2 15/16	SF	C3	5	9/16	1/8	2 1/16	1/8	21.0
1C160-SF	16.40	16.00	2 15/16	SF	C3	5	9/16	1/8	2 1/16	1/8	24.0
1C180-SF	18.40	18.00	2 15/16	SF	C3	5	9/16	1/8	2 1/16	1/8	27.0
1C200-SF	20.40	20.00	2 15/16	SF	C3	5	9/16	1/8	2 1/16	1/8	31.0
1C240-SF	24.40	24.00	2 15/16	SF	C3	5	9/16	1/8	2 1/16	1/8	37.0

* Db = pulley hub diameter



ISO STANDARD METHOD
FOR MEASURING KEYSEAT
DEPTH

▲ Depth measured at centerline.

Example: 5/8" Bore + 1/16" D dim. = .6875" Keyseat Depth

Reference:

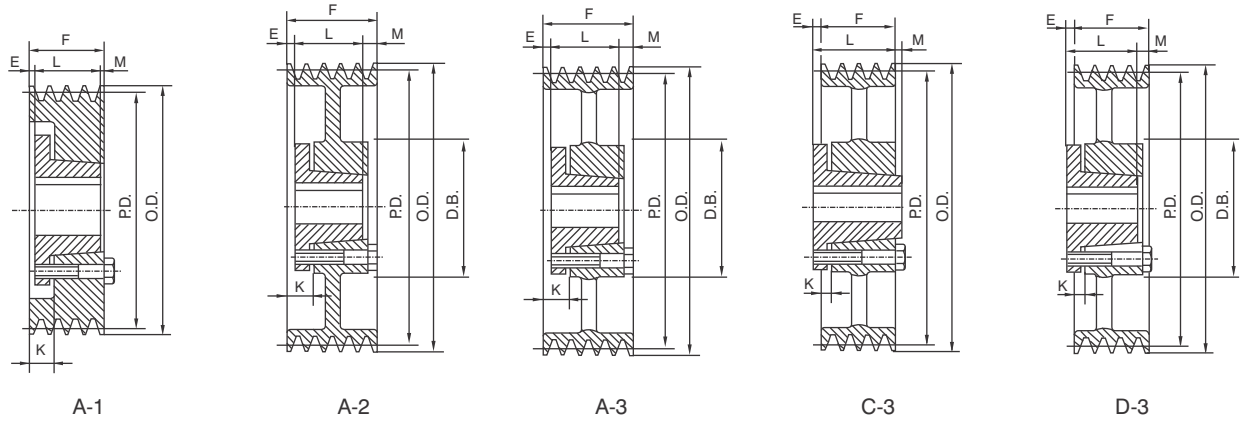
1 inch = 25.4 millimeters

1 millimeter = 0.3937 inches.

STANDARD KEYWAY & KEY DIMENSION

Bores	Key Seat	Key
1/2-9/16	1/8x1/16	1/8x1/8
5/8-7/8	3/16x3/32	3/16x3/16
15/16-1 1/4	1/4x1/8	1/4x1/4
1 5/16-1 3/8	5/16x5/32	5/16x5/16
1 7/16-1 3/4	3/8x3/16	3/8x3/8
1 13/16-2 1/4	1/2x1/4	1/2x1/2
2 5/16-2 3/4	5/8x5/16	5/8x5/8
2 13/16-3 1/4	3/4x3/8	3/4x3/4
3 5/16-3 3/4	7/8x7/16	7/8x7/8
3 13/16-4 1/2	1x1/2	1x1
4 9/16-5 1/2	1 1/4x5/8	1 1/4x1 1/4
5 9/16-6 1/2	1 1/2x3/4	1 1/2x1 1/2
6 9/16-7 1/2	1 3/4x7/8	1 3/4x1 3/4

Dimensions: inch



C-2

F=2 3/8" (60.33mm)

Part No.	O.D.	P.D.	Bush Max Bore	Bush	Type	Db*	E	K	L	M	Wgt. Less Bush
2C60-SK	6.40	6.00	25/8	SK	A1	—	3/16	7/8	115/16	1/8	8.0
2C70-SF	7.40	7.00	215/16	SF	A1	—	1/8	13/16	21/16	3/16	12.0
2C75-SF	7.90	7.50	215/16	SF	A1	—	1/8	13/16	21/16	3/16	15.0
2C80-SF	8.40	8.00	215/16	SF	A1	—	1/8	13/16	21/16	3/16	16.0
2C85-SF	8.90	8.50	215/16	SF	A2	5	1/8	13/16	21/16	3/16	19.0
2C90-SF	9.40	9.00	215/16	SF	A2	5	1/8	13/16	21/16	3/16	19.5
2C95-SF	9.90	9.50	215/16	SF	A2	5	1/8	13/16	21/16	3/16	21.0
2C100-SF	10.40	10.00	215/16	SF	A2	5	1/8	13/16	21/16	3/16	22.0
2C105-SF	10.90	10.50	215/16	SF	A2	5	1/8	13/16	21/16	3/16	25.0
2C110-SF	11.40	11.00	215/16	SF	A3	5	1/8	13/16	21/16	3/16	26.0
2C120-SF	12.40	12.00	215/16	SF	D3	5	1/8	9/16	21/16	7/16	29.0
2C130-SF	13.40	13.00	215/16	SF	D3	5	1/8	9/16	21/16	7/16	31.0
2C140-SF	14.40	14.00	215/16	SF	D3	5	1/8	9/16	21/16	7/16	35.0
2C150-SF	15.40	15.00	215/16	SF	D3	5	1/8	9/16	21/16	7/16	39.0
2C160-SF	16.40	16.00	215/16	SF	D3	5	1/8	9/16	21/16	7/16	43.0
2C180-SF	18.40	18.00	215/16	SF	D3	5	1/8	9/16	21/16	7/16	48.0
2C200-SF	20.40	20.00	215/16	SF	D3	5	1/8	9/16	21/16	7/16	55.0
2C240-SF	24.40	24.00	215/16	SF	D3	5	1/8	9/16	21/16	7/16	65.0
2C270-F	27.40	27.00	315/16	F	C3	7	11/16	5/16	35/8	9/16	107
2C300-F	30.40	30.00	315/16	F	C3	7	11/16	5/16	35/8	9/16	115

* Db = pulley hub diameter

BORE RANGE FOR QTL BUSHING

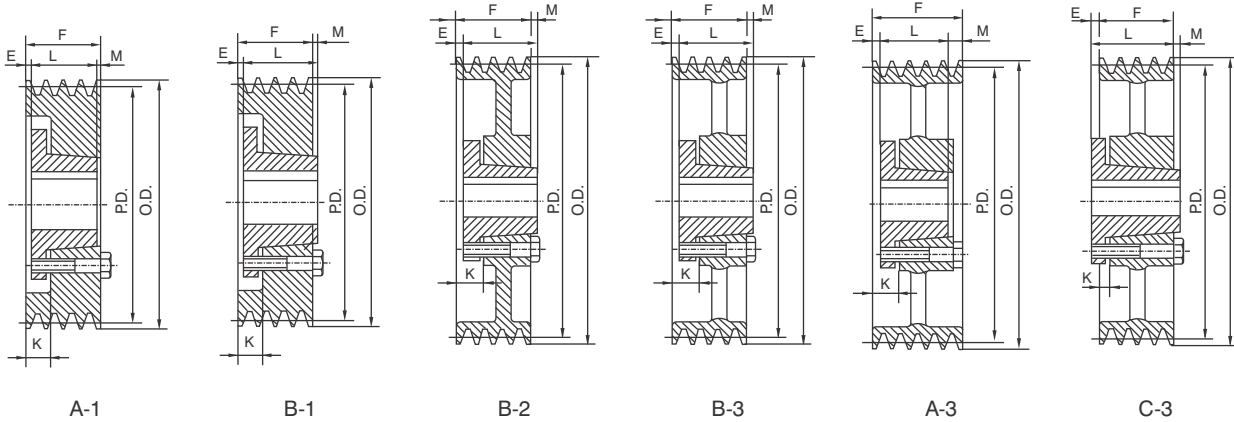
Bush. Sym.	Min. Bore	Max. Bore with:		
		Full Keyway	Shallow Keyway	No Keyway
SK	1/2	2-1/8	2-1/2	25/8, 29/16
SF	1/2	21/4	27/8	2-15/16
E	7/8	2-7/8	3-1/2	—
F	1	3-1/4	3-15/16	4
J	1-1/2	313/16	4-1/2	—
M	2	411/16	51/2	—
N	2-7/16	51/16	5-7/8	—
P	2-15/16	513/16	7	—

STANDARD KEYWAY & KEY DIMENSION

Bores	Key Seat	Key
1/2-9/16	1/8x1/16	1/8x1/8
5/8-7/8	3/16x3/32	3/16x3/16
15/16-11/4	1/4x1/8	1/4x1/4
15/16-13/8	5/16x5/32	5/16x5/16
17/16-13/4	3/8x3/16	3/8x3/8
113/16-21/4	1/2x1/4	1/2x1/2
25/16-23/4	5/8x5/16	5/8x5/8
213/16-31/4	3/4x3/8	3/4x3/4
35/16-33/4	7/8x7/16	7/8x7/8
313/16-41/2	1x1/2	1x1
49/16-51/2	11/4x5/8	11/4x11/4
59/16-61/2	11/2x3/4	11/2x11/2
69/16-71/2	13/4x7/8	13/4x13/4

Dimensions: inch

FOR QTL TAPER BUSHING - SEE PAGE 10



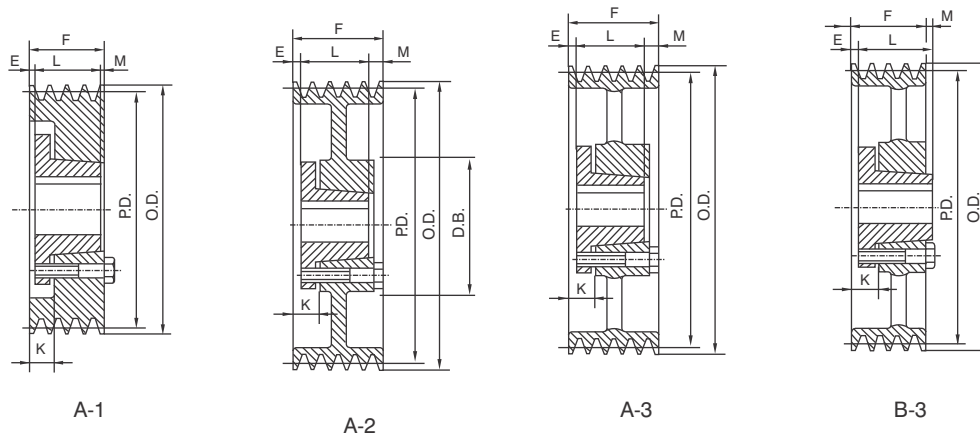
C-3

F = 3 3/8" (85.73mm)

Part No.	O.D.	P.D.	Bush Max Bore	Bush	Type	Db*	E	K	L	M	Wgt. Less Bush
3C50-SD	5.40	5.00	2	SD	A1	—	5/8	1 1/4	1 13/16	15/16	8.0
3C50-SK ¹	5.40	—	2 5/8	SK	—	—	—	—	—	—	9.0
3C54-SD	5.80	5.40	2	SD	A1	—	1 1/16	1 5/16	1 13/16	7/8	9.0
3C55-SD	5.90	5.50	2	SD	A1	—	1 1/16	1 5/16	1 13/16	7/8	10
3C56-SD	6.00	5.60	2	SD	A1	—	1 1/16	1 5/16	1 13/16	7/8	11
3C60-SK	6.40	6.00	2 5/8	SK	A1	—	3/16	7/8	1 15/16	1 1/8	12
3C60-SF ¹	6.55	—	2 15/16	SK	—	—	—	—	—	—	13
3C70-SF	7.40	7.00	2 15/16	SF	A1	—	5/8	1 5/16	2 1/16	1 1/16	14
3C75-SF	7.90	7.50	2 15/16	SF	A1	—	5/8	1 5/16	2 1/16	1 1/16	17
3C80-E	8.40	8.00	3 1/2	E	B1	—	7/8	1 3/4	2 5/8	1/8	19
3C85-E	8.90	8.50	3 1/2	E	B1	—	7/8	1 3/4	2 5/8	1/8	22
3C90-E	9.40	9.00	3 1/2	E	B1	—	7/8	1 3/4	2 5/8	1/8	26
3C95-E	9.90	9.50	3 1/2	E	B1	—	7/8	1 3/4	2 5/8	1/8	29
3C100-E	10.40	10.00	3 1/2	E	B2	6 1/4	7/8	1 3/4	2 5/8	1/8	31
3C105-E	10.90	10.50	3 1/2	E	B2	6 1/4	7/8	1 3/4	2 5/8	1/8	35
3C110-E	11.40	11.00	3 1/2	E	B2	6 1/4	7/8	1 3/4	2 5/8	1/8	38
3C120-E	12.40	12.00	3 1/2	E	B3	6 1/4	7/8	1 3/4	2 5/8	1/8	40
3C130-E	13.40	13.00	3 1/2	E	B3	6 1/4	7/8	1 3/4	2 5/8	1/8	43
3C140-E	14.40	14.00	3 1/2	E	B3	6 1/4	7/8	1 3/4	2 5/8	1/8	46
3C150-E	15.40	15.00	3 1/2	E	B3	6 1/4	7/8	1 3/4	2 5/8	1/8	52
3C160-E	16.40	16.00	3 1/2	E	B3	6 1/4	7/8	1 3/4	2 5/8	1/8	58
3C180-E	18.40	18.00	3 1/2	E	B3	6 1/4	7/8	1 3/4	2 5/8	1/8	67
3C200-E	20.40	20.00	3 1/2	E	A3	6 1/4	7/8	1	2 5/8	5/8	70
3C240-E	24.40	24.00	3 1/2	E	A3	6 1/4	7/8	1	2 5/8	5/8	90
3C270-F	27.40	27.00	3 15/16	F	C3	7	3/16	1 3/16	3 5/8	1/16	124
3C300-F	30.40	30.00	3 15/16	F	C3	7	3/16	1 3/16	3 5/8	1/16	130
3C360-F	36.40	36.00	3 15/16	F	C3	7	3/16	1 3/16	3 5/8	1/16	166
3C440-F	44.40	44.00	3 15/16	F	C3	7	3/16	1 3/16	3 5/8	1/16	208
3C500-F	50.40	50.00	3 15/16	F	C3	7	3/16	1 3/16	3 5/8	1/16	250

* Db = pulley hub diameter

¹ Oil Field Pulley - Contact factory for drawing



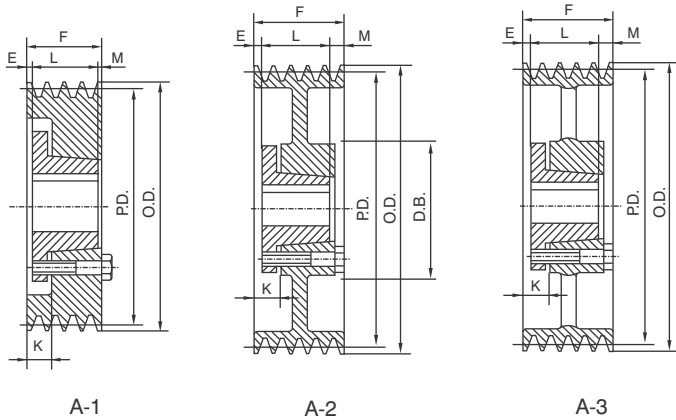
C-4

F = 4 3/8" (111.13mm)

Part No.	O.D.	P.D.	Bush Max Bore	Bush	Type	Db*	E	K	L	M	Wgt. Less Bush
4C50-SD	5.40	5.00	2	SD	A1	—	5/8	1 1/4	1 13/16	1 15/16	10.0
4C50-SK ¹	5.40	—	2 5/8	SK	—	—	—	—	—	—	12.0
4C54-SD	5.80	5.40	2	SD	A1	—	1 1/16	1 5/16	1 13/16	1 7/8	12.0
4C55-SD	5.90	5.50	2	SD	A1	—	1 1/16	1 5/16	1 13/16	1 7/8	12.4
4C56-SD	6.00	5.60	2	SD	A1	—	1 1/16	1 5/16	1 13/16	1 7/8	12.6
4C60-SK	6.40	6.00	2 5/8	SK	A1	—	3/16	7/8	1 15/16	2 1/8	12.8
4C60-SF ¹	6.55	—	2 15/16	SK	—	—	—	—	—	—	13.0
4C70-SF	7.40	7.00	2 15/16	SF	A2	5	7/8	1 9/16	2 1/16	1 7/16	13.0
4C75-SF	7.90	7.50	2 15/16	SF	A2	5	7/8	1 9/16	2 1/16	1 7/16	19.0
4C80-E	8.40	8.00	3 1/2	E	A1	—	1 1/8	2	2 5/8	5/8	24.0
4C85-E	8.90	8.50	3 1/2	E	A1	—	1 1/8	2	2 5/8	5/8	27.0
4C90-E	9.40	9.00	3 1/2	E	A1	—	1 1/8	2	2 5/8	5/8	30.0
4C95-E	9.90	9.50	3 1/2	E	A1	—	1 1/8	2	2 5/8	5/8	33.0
4C100-E	10.40	10.00	3 1/2	E	A2	6 1/4	1 1/8	2	2 5/8	5/8	35.0
4C105-E	10.90	10.50	3 1/2	E	A2	6 1/4	1 1/8	2	2 5/8	5/8	40.0
4C110-E	11.40	11.00	3 1/2	E	A2	6 1/4	1 1/8	2	2 5/8	5/8	45.0
4C120-E	12.40	12.00	3 1/2	E	A2	6 1/4	1 1/8	2	2 5/8	5/8	48.0
4C130-E	13.40	13.00	3 1/2	E	A3	6 1/4	1 1/8	2	2 5/8	5/8	49.0
4C140-E	14.40	14.00	3 1/2	E	A3	6 1/4	1 1/8	2	2 5/8	5/8	56.0
4C150-E	15.40	15.00	3 1/2	E	A3	6 1/4	1 1/8	2	2 5/8	5/8	62.0
4C160-E	16.40	16.00	3 1/2	E	A3	6 1/4	1 1/8	2	2 5/8	5/8	68.0
4C180-E	18.40	18.00	3 1/2	E	A3	6 1/4	1 1/8	2	2 5/8	5/8	74.0
4C200-E	20.40	20.00	3 1/2	E	A3	6 1/4	5/8	1 1/2	2 5/8	1 1/8	81.0
4C240-F	24.40	24.00	3 15/16	F	A3	7	5/16	1 5/16	3 5/8	7/16	120
4C270-F	27.40	27.00	3 15/16	F	A3	7	5/16	1 5/16	3 5/8	7/16	138
4C300-F	30.40	30.00	3 15/16	F	A3	7	5/16	1 5/16	3 5/8	7/16	166
4C360-F	36.40	36.00	3 15/16	F	A3	7	5/16	1 5/16	3 5/8	7/16	176
4C440-J	44.40	44.00	4 1/2	J	B3	7 3/4	3/8	1 9/16	4 1/2	1/2	254
4C500-J	50.40	50.00	4 1/2	J	B3	7 3/4	3/8	1 9/16	4 1/2	1/2	318

* Db = pulley hub diameter

¹ Oil Field Pulley - Contact factory for drawing



BORE RANGE FOR QTL BUSHING

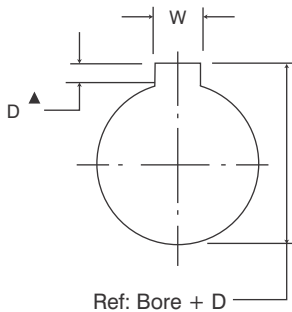
Bush. Sym.	Min. Bore	Max. Bore with:		
		Full Keyway	Shallow Keyway	No Keyway
SF	1/2	2 1/4	2 7/8	2-15/16
E	7/8	2-7/8	3-1/2	—
F	1	3-1/4	3-15/16	4
J	1-1/2	3 13/16	4-1/2	—
M	2	4 11/16	5 1/2	—
N	2-7/16	5 1/16	5-7/8	—
P	2-15/16	5 13/16	7	—

C-5

F=5 3/8" (136.53mm)

Part No.	O.D.	P.D.	Bush Max Bore	Bush	Type	Db*	E	K	L	M	Wgt. Less Bush
5C60-SK	6.40	6.00	25/8	SK	A 1	—	3/16	7/8	1 15/16	3 1/8	14
5C70-SF	7.40	7.00	2 15/16	SF	A 1	—	1 1/4	1 15/16	2 1/16	2 1/16	19
5C75-SF	7.90	7.50	2 15/16	SF	A 1	—	1 1/4	1 15/16	2 1/16	2 1/16	22
5C80-E	8.40	8.00	3 1/2	E	A 1	—	1 1/2	2 3/8	2 5/8	1 1/4	28
5C85-E	8.90	8.50	3 1/2	E	A 1	—	1 1/2	2 3/8	2 5/8	1 1/4	31
5C90-E	9.40	9.00	3 1/2	E	A 1	—	1 1/2	2 3/8	2 5/8	1 1/4	32
5C95-E	9.90	9.50	3 1/2	E	A 1	—	1 1/2	2 3/8	2 5/8	1 1/4	36
5C100-E	10.40	10.00	3 1/2	E	A 2	6 1/4	1 1/2	2 3/8	2 5/8	1 1/4	38
5C105-E	10.90	10.50	3 1/2	E	A 2	6 1/4	1 1/2	2 3/8	2 5/8	1 1/4	43
5C110-E	11.40	11.00	3 1/2	E	A 2	6 1/4	1 1/2	2 3/8	2 5/8	1 1/4	50
5C120-E	12.40	12.00	3 1/2	E	A 2	6 1/4	1 1/2	2 3/8	2 5/8	1 1/4	55
5C130-E	13.40	13.00	3 1/2	E	A 3	6 1/4	1 1/2	2 3/8	2 5/8	1 1/4	58
5C140-E	14.40	14.00	3 1/2	E	A 3	6 1/4	1 1/2	2 3/8	2 5/8	1 1/4	61
5C150-E	15.40	15.00	3 1/2	E	A 3	6 1/4	1 1/2	2 3/8	2 5/8	1 1/4	69
5C160-E	16.40	16.00	3 1/2	E	A 3	6 1/4	1 1/2	2 3/8	2 5/8	1 1/4	75
5C180-E	18.40	18.00	3 1/2	E	A 3	6 1/4	1 1/2	2 3/8	2 5/8	1 1/4	85
5C200-F	20.40	20.00	3 15/16	F	A 3	7	15/16	1 5/16	3 5/8	1 7/16	108
5C240-F	24.40	24.00	3 15/16	F	A 3	7	15/16	1 5/16	3 5/8	1 7/16	124
5C270-F	27.40	27.00	3 15/16	F	A 3	7	15/16	1 5/16	3 5/8	1 7/16	154
5C300-F	30.40	30.00	3 15/16	F	A 3	7	15/16	1 5/16	3 5/8	1 7/16	174
5C360-J	36.40	36.00	4 1/2	J	A 3	7 3/4	3/8	1 9/16	4 1/2	1/2	226
5C440-J	44.40	44.00	4 1/2	J	A 3	7 3/4	3/8	1 9/16	4 1/2	1/2	289
5C500-J	50.40	50.00	4 1/2	J	A 3	7 3/4	3/8	1 9/16	4 1/2	1/2	316

* Db = pulley hub diameter



ISO STANDARD METHOD
FOR MEASURING KEYSEAT
DEPTH

▲ Depth measured at centerline.

Example: 5/8" Bore + 1/16" D dim. = .6875" Keyseat Depth

Reference:

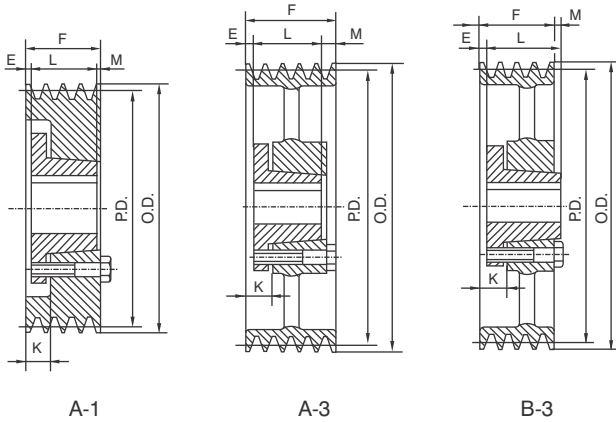
1 inch = 25.4 millimeters

1 millimeter = 0.3937 inches.

STANDARD KEYWAY & KEY DIMENSION

Bores	Key Seat	Key
1/2-9/16	1/8x1/16	1/8x1/8
5/8-7/8	3/16x3/32	3/16x3/16
15/16-1 1/4	1/4x1/8	1/4x1/4
1 5/16-1 3/8	5/16x5/32	5/16x5/16
1 7/16-1 3/4	3/8x3/16	3/8x3/8
1 13/16-2 1/4	1/2x1/4	1/2x1/2
2 5/16-2 3/4	5/8x5/16	5/8x5/8
2 13/16-3 1/4	3/4x3/8	3/4x3/4
3 5/16-3 3/4	7/8x7/16	7/8x7/8
3 13/16-4 1/2	1x1/2	1x1
4 9/16-5 1/2	1 1/4x5/8	1 1/4x1 1/4

FOR QTL TAPER BUSHING - SEE PAGE 10



BORE RANGE FOR QTL BUSHING

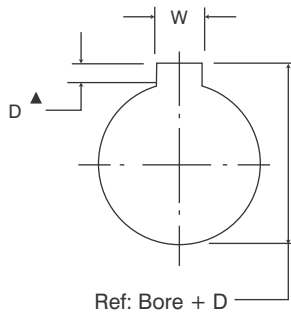
Bush. Sym.	Min. Bore	Max. Bore with:		
		Full Keyway	Shallow Keyway	No Keyway
SF	1/2	2 1/4	2 7/8	2-15/16
E	7/8	2-7/8	3-1/2	—
F	1	3-1/4	3-15/16	4
J	1-1/2	3 13/16	4-1/2	—
M	2	4 11/16	5 1/2	—
N	2-7/16	5 1/16	5-7/8	—
P	2-15/16	5 13/16	7	—

C-6

F=6 3/8" (161.93mm)

Part No.	O.D.	P.D.	Bush Max Bore	Bush	Type	Db*	E	K	L	M	Wgt. Less Bush
6C60-SK	6.40	6.00	2 5/8	SK	A1	—	3/16	7/8	1 15/16	4 1/8	16
6C70-SF	7.40	7.00	2 15/16	SF	A1	—	1 1/4	1 15/16	2 1/16	3 1/16	22
6C75-SF	7.90	7.50	2 15/16	SF	A1	—	1 1/4	1 15/16	2 1/16	3 1/16	25
6C80-E	8.40	8.00	3 1/2	E	A1	—	1 1/2	2 3/8	2 5/8	2 1/4	31
6C85-E	8.90	8.50	3 1/2	E	A1	—	1 1/2	2 3/8	2 5/8	2 1/4	35
6C90-F	9.40	9.00	3 15/16	F	A1	—	1 7/16	2 7/16	3 5/8	1 5/16	40
6C95-F	9.90	9.50	3 15/16	F	A1	—	1 7/16	2 7/16	3 5/8	1 5/16	44
6C100-F	10.40	10.00	3 15/16	F	A1	—	1 7/16	2 7/16	3 5/8	1 5/16	50
6C105-F	10.90	10.50	3 15/16	F	A1	—	1 7/16	2 7/16	3 5/8	1 5/16	56
6C110-F	11.40	11.00	3 15/16	F	A1	—	1 7/16	2 7/16	3 5/8	1 5/16	60
6C120-F	12.40	12.00	3 15/16	F	A3	7	1 7/16	2 7/16	3 5/8	1 5/16	65
6C130-F	13.40	13.00	3 15/16	F	A3	7	1 7/16	2 7/16	3 5/8	1 5/16	67
6C140-F	14.40	14.00	3 15/16	F	A3	7	1 7/16	2 7/16	3 5/8	1 5/16	75
6C150-F	15.40	15.00	3 15/16	F	A3	7	1 7/16	2 7/16	3 5/8	1 5/16	91
6C160-F	16.40	16.00	3 15/16	F	A3	7	1 7/16	2 7/16	3 5/8	1 5/16	98
6C180-F	18.40	18.00	3 15/16	F	A3	7	1 7/16	2 7/16	3 5/8	1 5/16	106
6C200-F	20.40	20.00	3 15/16	F	A3	7	1 5/16	1 15/16	3 5/8	1 13/16	125
6C240-F	24.40	24.00	3 15/16	F	A3	7	1 5/16	1 15/16	3 5/8	1 13/16	165
6C270-J	27.40	27.00	3 15/16	J	A3	7 3/4	3/8	1 9/16	4 1/2	1 1/2	190
6C300-J	30.40	30.00	4 1/2	J	A3	7 3/4	3/8	1 9/16	4 1/2	1 1/2	229
6C360-J	36.40	36.00	4 1/2	J	A3	7 3/4	3/8	1 9/16	4 1/2	1 1/2	270
6C440-J	44.40	44.00	4 1/2	J	A3	7 3/4	3/8	1 9/16	4 1/2	1 1/2	301
6C500-M	50.40	50.00	5 1/2	M	B3	9 1/2	1/2	1 15/16	6 3/4	7/8	444

* Db = pulley hub diameter



ISO STANDARD METHOD
FOR MEASURING KEYSEAT
DEPTH

▲ Depth measured at centerline.

Example: 5/8" Bore + 1/16" D dim. = .6875" Keyseat Depth

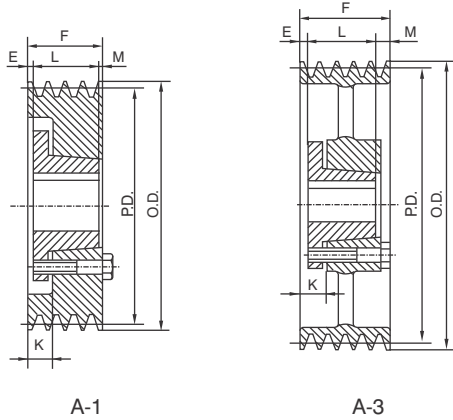
Reference:

1 inch = 25.4 millimeters

1 millimeter = 0.3937 inches.

STANDARD KEYWAY & KEY DIMENSION

Bores	Key Seat	Key
1/2-9/16	1/8x1/16	1/8x1/8
5/8-7/8	3/16x3/32	3/16x3/16
15/16-1 1/4	1/4x1/8	1/4x1/4
1 5/16-1 3/8	5/16x5/32	5/16x5/16
1 7/16-1 3/4	3/8x3/16	3/8x3/8
1 13/16-2 1/4	1/2x1/4	1/2x1/2
2 5/16-2 3/4	5/8x5/16	5/8x5/8
2 13/16-3 1/4	3/4x3/8	3/4x3/4
3 5/16-3 3/4	7/8x7/16	7/8x7/8
3 13/16-4 1/2	1x1/2	1x1
4 9/16-5 1/2	1 1/4x5/8	1 1/4x1 1/4



BORE RANGE FOR QTL BUSHING

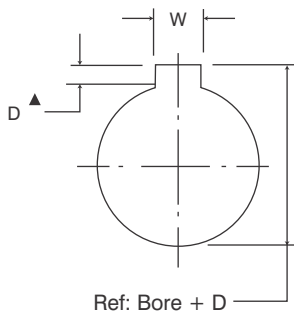
Bush. Sym.	Min. Bore	Max. Bore with:		
		Full Keyway	Shallow Keyway	No Keyway
SF	1/2	2 1/4	2 7/8	2-15/16
E	7/8	2-7/8	3-1/2	—
F	1	3-1/4	3-15/16	4
J	1-1/2	3 13/16	4-1/2	—
M	2	4 11/16	5 1/2	—
N	2-7/16	5 1/16	5-7/8	—
P	2-15/16	5 13/16	7	—

C-8

F=8 3/8" (212.73mm)

Part No.	O.D.	P.D.	Bush Max Bore	Bush	Type	Db*	E	K	L	M	Wgt. Less Bush
8C70-SF	7.40	7.00	2 15/16	SF	A1	—	25/16	3	2 1/16	4	35
8C75-SF	7.90	7.50	2 15/16	E	A1	—	25/16	3	2 1/16	4	37
8C80-E	8.40	8.00	3 1/2	E	A1	—	23/8	3 1/4	2 5/8	3 3/8	41
8C85-E	8.90	8.50	3 1/2	E	A1	—	23/8	3 1/4	2 5/8	3 3/8	50
8C90-F	9.40	9.00	3 5/16	F	A1	—	25/16	3 5/16	3 5/8	2 7/16	56
8C95-F	9.90	9.50	3 5/16	F	A1	—	25/16	3 5/16	3 5/8	2 7/16	60
8C100-F	10.40	10.00	3 5/16	F	A1	—	25/16	3 5/16	3 5/8	2 7/16	64
8C105-F	10.90	10.50	3 5/16	F	A1	—	25/16	3 5/16	3 5/8	2 7/16	74
8C110-F	11.40	11.00	3 5/16	F	A1	—	25/16	3 5/16	3 5/8	2 7/16	87
8C120-F	12.40	12.00	3 5/16	F	A1	—	25/16	3 5/16	3 5/8	2 7/16	94
8C130-F	13.40	13.00	3 5/16	F	A3	7	25/16	3 5/16	3 5/8	2 7/16	99
8C140-F	14.40	14.00	3 5/16	F	A3	7	25/16	3 5/16	3 5/8	2 7/16	110
8C150-F	15.40	15.00	3 5/16	F	A3	7	25/16	3 5/16	3 5/8	2 7/16	122
8C160-F	16.40	16.00	3 5/16	F	A3	7	25/16	3 5/16	3 5/8	2 7/16	136
8C180-F	18.40	18.00	3 5/16	F	A3	7	25/16	3 5/16	3 5/8	2 7/16	146
8C200-J	20.40	20.00	4 1/2	J	A3	7 3/4	3/8	1 9/16	4 1/2	3 1/2	195
8C240-J	24.40	24.00	4 1/2	J	A3	7 3/4	3/8	1 9/16	4 1/2	3 1/2	216
8C270-J	27.40	27.00	4 1/2	J	A3	7 3/4	3/8	1 9/16	4 1/2	3 1/2	268
8C300-J	30.40	30.00	4 1/2	J	A3	7 3/4	3/8	1 9/16	4 1/2	3 1/2	338
8C360-M	36.40	36.00	5 1/2	M	A3	9 1/2	1/2	1 15/16	6 3/4	1 1/8	413
8C440-M	44.40	44.00	5 1/2	M	A3	9 1/2	1/2	1 15/16	6 3/4	1 1/8	474
8C500-M	50.40	50.00	5 1/2	M	A3	9 1/2	1/2	1 15/16	6 3/4	1 1/8	503

* Db = pulley hub diameter



ISO STANDARD METHOD
FOR MEASURING KEYSEAT
DEPTH

▲ Depth measured at centerline.

Example: 5/8" Bore + 1/16" D dim. = .6875" Keyseat Depth

Reference:

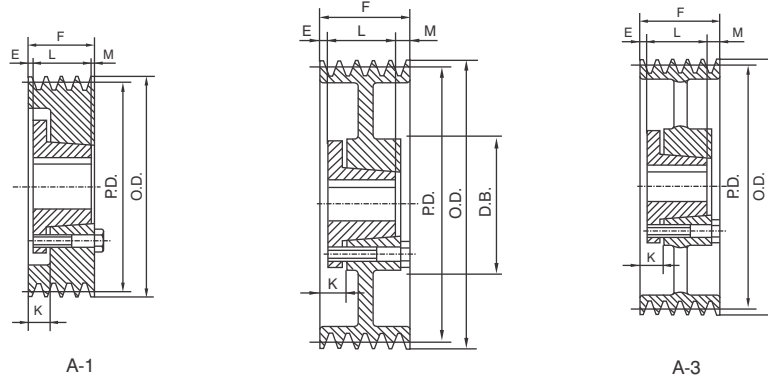
1 inch = 25.4 millimeters

1 millimeter = 0.3937 inches.

STANDARD KEYWAY & KEY DIMENSION

Bores	Key Seat	Key
1/2-9/16	1/8x1/16	1/8x1/8
5/8-7/8	3/16x3/32	3/16x3/16
15/16-1 1/4	1/4x1/8	1/4x1/4
1 5/16-1 3/8	5/16x5/32	5/16x5/16
1 7/16-1 3/4	3/8x3/16	3/8x3/8
1 13/16-2 1/4	1/2x1/4	1/2x1/2
2 5/16-2 3/4	5/8x5/16	5/8x5/8
2 13/16-3 1/4	3/4x3/8	3/4x3/4
3 5/16-3 3/4	7/8x7/16	7/8x7/8
3 13/16-4 1/2	1x1/2	1x1
4 9/16-5 1/2	1 1/4x5/8	1 1/4x1 1/4

FOR QTL TAPER BUSHING - SEE PAGE 10



C-10

F = 10 3/8" (263.53mm)

Part No.	O.D.	P.D.	Bush Max Bore	Bush	Type	Db*	E	K	L	M	Wgt. Less Bush
10C80-E	8.40	8.00	3/2	E	A1	—	23/8	31/4	25/8	53/8	42
10C85-E	8.90	8.50	3/2	E	A1	—	23/8	31/4	25/8	53/8	48
10C90-F	9.40	9.00	315/16	F	A1	—	23/8	39/16	35/8	43/8	54
10C95-J	9.90	9.50	41/2	J	A1	—	23/8	39/16	41/2	31/2	60
10C100-J	10.40	10.00	41/2	J	A1	—	23/8	39/16	41/2	31/2	68
10C105-J	10.90	10.50	41/2	J	A1	—	23/8	39/16	41/2	31/2	75
10C110-J	11.40	11.00	41/2	J	A1	—	23/8	39/16	41/2	31/2	90
10C120-J	12.40	12.00	41/2	J	A1	—	23/8	39/16	41/2	31/2	106
10C130-J	13.40	13.00	41/2	J	A2	73/4	23/8	39/16	41/2	31/2	110
10C140-J	14.40	14.00	41/2	J	A2	73/4	23/8	39/16	41/2	31/2	124
10C150-J	15.40	15.00	41/2	J	A2	73/4	23/8	39/16	41/2	31/2	138
10C160-J	16.40	16.00	41/2	J	A3	73/4	23/8	39/16	41/2	31/2	145
10C180-J	18.40	18.00	41/2	J	A3	73/4	23/8	39/16	41/2	31/2	168
10C200-J	20.40	20.00	41/2	J	A3	73/4	23/8	39/16	41/2	31/2	182
10C240-M	24.40	24.00	51/2	M	A3	91/2	1/2	115/16	63/4	31/8	272
10C300-M	30.40	30.00	51/2	M	A3	91/2	1/2	115/16	63/4	31/8	355
10C360-M	36.40	36.00	51/2	M	A3	91/2	1/2	115/16	63/4	31/8	455
10C440-M	44.40	44.00	51/2	M	A3	91/2	1/2	115/16	63/4	31/8	544
10C500-M	50.40	50.00	51/2	M	A3	91/2	1/2	115/16	63/4	31/8	622

* Db = pulley hub diameter

C-12

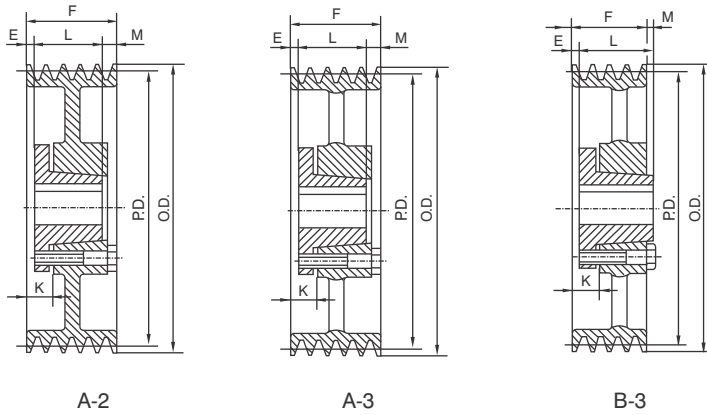
F = 12 3/8" (314.33mm)

Part No.	O.D.	P.D.	Bush Max Bore	Bush	Type	Db*	E	K	L	M	WT Less Bush
12C90-F	9.40	9.00	315/16	F	A1	—	27/8	41/16	35/8	57/8	63
12C95-J	9.90	9.50	41/2	J	A1	—	27/8	41/16	41/2	5	75
12C100-J	10.40	10.00	41/2	J	A1	—	27/8	41/16	41/2	5	84
12C105-J	10.90	10.50	41/2	J	A1	—	27/8	41/16	41/2	5	89
12C110-J	11.40	11.00	41/2	J	A1	—	27/8	41/16	41/2	5	97
12C120-J	12.40	12.00	41/2	J	A1	—	27/8	41/16	41/2	5	119
12C130-J	13.40	13.00	41/2	J	A2	73/4	27/8	41/16	41/2	5	125
12C140-J	14.40	14.00	41/2	J	A2	73/4	27/8	41/16	41/2	5	139
12C150-J	15.40	15.00	41/2	J	A2	73/4	27/8	41/16	41/2	5	156
12C160-J	16.40	16.00	41/2	J	A3	73/4	27/8	41/16	41/2	5	175
12C180-J	18.40	18.00	41/2	J	A3	73/4	27/8	41/16	41/2	5	185
12C200-M	20.40	20.00	51/2	M	A3	91/2	1/2	115/16	63/4	51/8	228
12C240-M	24.40	24.00	51/2	M	A3	91/2	1/2	115/16	63/4	51/8	287
12C270-M	27.40	27.00	51/2	M	A3	91/2	1/2	115/16	63/4	51/8	350
12C300-M	30.40	30.00	51/2	M	A3	91/2	1/2	115/16	63/4	51/8	430
12C360-M	36.40	36.00	51/2	M	A3	91/2	1/2	115/16	63/4	51/8	565
12C440-M	44.40	44.00	51/2	M	A3	91/2	1/2	115/16	63/4	51/8	595
12C500-M	50.40	50.00	51/2	M	A3	91/2	1/2	115/16	63/4	51/8	607

* Db = pulley hub diameter

FOR QTL TAPER BUSHING - SEE PAGE 10

A/B-C-D



D-3

F = 4 5/8" (117.48mm)

Part No.	O.D.	PD.	Bush Max Bore	Bush	Type	Db*	E	K	L	M	Wgt. Less Bush
3D120-F	12.60	12.00	315/16	F	A2	7	1/2	1 1/2	3 5/8	1/2	58
3D130-F	13.60	13.00	315/16	F	A2	7	1/2	1 1/2	3 5/8	1/2	63
3D135-F	14.10	13.50	315/16	F	A2	7	1/2	1 1/2	3 5/8	1/2	68
3D140-F	14.60	14.00	315/16	F	A2	7	1/2	1 1/2	3 5/8	1/2	71
3D145-F	15.10	14.50	315/16	F	A2	7	1/2	1 1/2	3 5/8	1/2	82
3D150-F	15.60	15.00	315/16	F	A2	7	1/2	1 1/2	3 5/8	1/2	86
3D155-F	16.10	15.50	315/16	F	A2	7	1/2	1 1/2	3 5/8	1/2	93
3D160-F	16.60	16.00	315/16	F	A2	7	1/2	1 1/2	3 5/8	1/2	95
3D170-F	17.60	17.00	315/16	F	A2	7	1/2	1 1/2	3 5/8	1/2	99
3D180-J	18.60	18.00	4 1/2	J	A3	7 3/4	—	1 3/16	4 1/2	1/8	105
3D200-J	20.60	20.00	4 1/2	J	A3	7 3/4	—	1 3/16	4 1/2	1/8	148
3D220-J	22.60	22.00	4 1/2	J	A3	7 3/4	—	1 3/16	4 1/2	1/8	164
3D270-J	27.60	27.00	4 1/2	J	A3	7 3/4	—	1 3/16	4 1/2	1/8	180
3D330-J	33.60	33.00	4 1/2	J	A3	7 3/4	—	1 3/16	4 1/2	1/8	195
3D400-J	40.60	40.00	4 1/2	J	A3	7 3/4	—	1 3/16	4 1/2	1/8	260

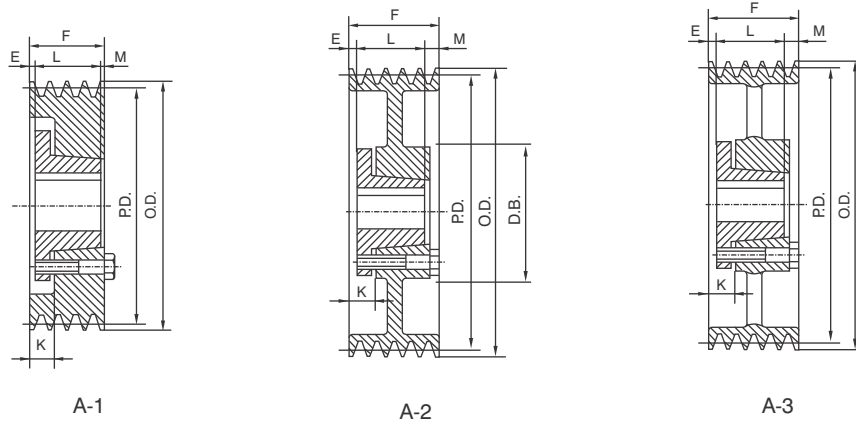
* Db = pulley hub diameter

D-4

F = 6 1/16" (153.99mm)

Part No.	O.D.	PD.	Bush Max Bore	Bush	Type	Db*	E	K	L	M	Wgt. Less Bush
4D120-F	12.60	12.00	315/16	F	A2	7	15/16	2 5/16	3 5/8	1 1/8	68
4D130-F	13.60	13.00	315/16	F	A2	7	15/16	2 5/16	3 5/8	1 1/8	78
4D135-F	14.10	13.50	315/16	F	A2	7	15/16	2 5/16	3 5/8	1 1/8	82
4D140-F	14.60	14.00	315/16	F	A2	7	15/16	2 5/16	3 5/8	1 1/8	91
4D145-F	15.10	14.50	315/16	F	A2	7	15/16	2 5/16	3 5/8	1 1/8	95
4D150-F	15.60	15.00	315/16	F	A2	7	15/16	2 5/16	3 5/8	1 1/8	99
4D155-F	16.10	15.50	315/16	F	A2	7	15/16	2 5/16	3 5/8	1 1/8	111
4D160-F	16.60	16.00	315/16	F	A2	7	15/16	2 5/16	3 5/8	1 1/8	122
4D170-J	17.60	17.00	4 1/2	J	A2	7 3/4	1 3/8	2 5/16	4 1/2	3/16	136
4D180-J	18.60	18.00	4 1/2	J	A3	7 3/4	1 3/8	2 5/16	4 1/2	3/16	141
4D200-J	20.60	20.00	4 1/2	J	A3	7 3/4	3/8	1 9/16	4 1/2	13/16	167
4D220-J	22.60	22.00	4 1/2	J	A3	7 3/4	3/8	1 9/16	4 1/2	13/16	183
4D270-J	27.60	27.00	4 1/2	J	A3	7 3/4	3/8	1 9/16	4 1/2	13/16	222
4D330-M	33.60	33.00	5 1/2	M	B3	9 1/2	1/2	1 15/16	6 3/4	13/16	315
4D400-M	40.60	40.00	5 1/2	M	B3	9 1/2	1/2	1 15/16	6 3/4	13/16	337

* Db = pulley hub diameter



D-5

F = 7 1/2" (190.50mm)

Part No.	O.D.	P.D.	Bush Max Bore	Bush	Type	Db*	E	K	L	M	Wgt. Less Bush
5D120-F	12.60	12.00	3/15/16	F	A2	7	21/16	31/16	35/8	113/16	87
5D130-F	13.60	13.00	3/15/16	F	A2	7	21/16	31/16	35/8	113/16	88
5D135-F	14.10	13.50	3/15/16	F	A2	7	21/16	31/16	35/8	113/16	92
5D140-F	14.60	14.00	3/15/16	F	A2	7	21/16	31/16	35/8	113/16	96
5D145-F	15.10	14.50	3/15/16	F	A2	7	21/16	31/16	35/8	113/16	111
5D150-F	15.60	15.00	3/15/16	F	A2	7	21/16	31/16	35/8	113/16	115
5D155-F	16.10	15.50	3/15/16	F	A2	7	21/16	31/16	35/8	113/16	121
5D160-F	16.60	16.00	3/15/16	F	A2	7	21/16	31/16	35/8	113/16	128
5D170-J	17.60	17.00	41/2	J	A2	73/4	3/8	19/16	41/2	25/8	135
5D180-J	18.60	18.00	41/2	J	A3	73/4	3/8	19/16	41/2	25/8	148
5D200-J	20.60	20.00	41/2	J	A3	73/4	3/8	19/16	41/2	25/8	184
5D220-J	22.60	22.00	41/2	J	A3	73/4	3/8	19/16	41/2	25/8	202
5D270-M	27.60	27.00	51/2	M	A3	91/2	1/2	115/16	63/4	1/4	250
5D330-M	33.60	33.00	51/2	M	A3	91/2	1/2	115/16	63/4	1/4	280
5D400-M	40.60	40.00	51/2	M	A3	91/2	1/2	115/16	63/4	1/4	380

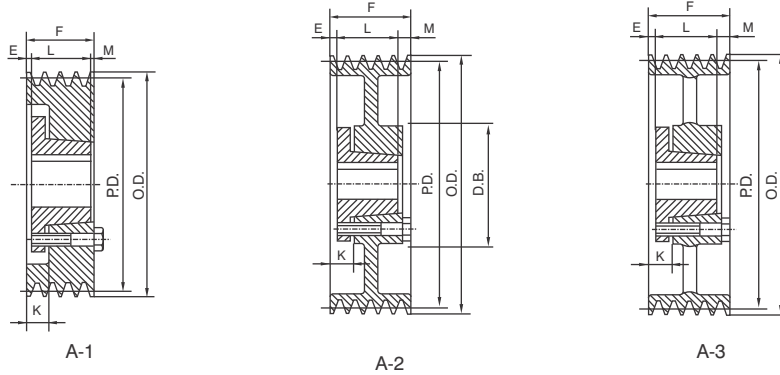
* Db = pulley hub diameter

D-6

F = 8 15/16" (227.01mm)

Part No.	O.D.	P.D.	Bush Max Bore	Bush	Type	Db*	E	K	L	M	Wgt. Less Bush
6D120-J	12.60	12.00	41/2	J	A1	—	21/8	35/16	41/2	25/16	104
6D130-J	13.60	13.00	41/2	J	A1	—	21/8	35/16	41/2	25/16	122
6D135-J	14.10	13.50	41/2	J	A1	—	21/8	35/16	41/2	25/16	125
6D140-J	14.60	14.00	41/2	J	A1	—	21/8	35/16	41/2	25/16	128
6D145-J	15.10	14.50	41/2	J	A1	—	21/8	35/16	41/2	25/16	130
6D150-J	15.60	15.00	41/2	J	A2	73/4	21/8	35/16	41/2	25/16	136
6D155-J	16.10	15.50	41/2	J	A2	73/4	21/8	35/16	41/2	25/16	139
6D160-J	16.60	16.00	41/2	J	A2	73/4	21/8	35/16	41/2	25/16	141
6D170-J	17.60	17.00	41/2	J	A2	73/4	21/8	35/16	41/2	25/16	154
6D180-J	18.60	18.00	41/2	J	A2	73/4	21/8	35/16	41/2	25/16	172
6D200-J	20.60	20.00	41/2	J	A2	73/4	21/8	35/16	41/2	25/16	183
6D220-M	22.60	22.00	51/2	M	A2	73/4	1/2	115/16	63/4	111/16	272
6D270-M	27.60	27.00	51/2	M	A3	91/2	1/2	115/16	63/4	111/16	280
6D330-M	33.60	33.00	51/2	M	A3	91/2	1/2	115/16	63/4	111/16	356
6D400-M	40.60	40.00	51/2	M	A3	91/2	1/2	115/16	63/4	111/16	415
6D440-M	44.60	44.00	51/2	M	A3	91/2	1/2	115/16	63/4	111/16	536
6D480-M	48.60	48.00	51/2	M	A3	91/2	1/2	115/16	63/4	111/16	572
6D580-N	58.60	58.00	6	N	A3	101/2	1/2	21/4	81/8	51/16	1006

* Db = pulley hub diameter



D-8

F = 11 13/16" (300.04mm)

Part No.	O.D.	P.D.	Bush Max Bore	Bush	Type	Db*	E	K	L	M	Wgt. Less Bush
8D120-J	12.60	12.00	4 1/2	J	A 1	—	2 3/8	3 9/16	4 1/2	4 15/16	126
8D130-J	13.60	13.00	4 1/2	J	A 1	—	2 3/8	3 9/16	4 1/2	4 15/16	147
8D135-J	14.10	13.50	4 1/2	J	A 1	—	2 3/8	3 9/16	4 1/2	4 15/16	150
8D140-J	14.60	14.00	4 1/2	J	A 1	—	2 3/8	3 9/16	4 1/2	4 15/16	155
8D145-J	15.10	14.50	4 1/2	J	A 1	—	2 3/8	3 9/16	4 1/2	4 15/16	160
8D150-J	15.60	15.00	4 1/2	J	A 2	7 3/4	2 3/8	3 9/16	4 1/2	4 15/16	176
8D155-J	16.10	15.50	4 1/2	J	A 2	7 3/4	2 3/8	3 9/16	4 1/2	4 15/16	180
8D160-J	16.60	16.00	4 1/2	J	A 2	7 3/4	2 3/8	3 9/16	4 1/2	4 15/16	200
8D170-M	17.60	17.00	5 1/2	M	A 1	—	2 1/2	3 15/16	6 3/4	2 9/16	225
8D180-M	18.60	18.00	5 1/2	M	A 2	9 1/2	2 1/2	3 15/16	6 3/4	2 9/16	250
8D200-M	20.60	20.00	5 1/2	M	A 2	9 1/2	2 1/2	3 15/16	6 3/4	2 9/16	270
8D220-M	22.60	22.00	5 1/2	M	A 2	9 1/2	1/2	1 15/16	6 3/4	4 9/16	316
8D270-M	27.60	27.00	5 1/2	M	A 3	9 1/2	1/2	1 15/16	6 3/4	4 9/16	440
8D330-M	33.60	33.00	5 1/2	M	A 3	9 1/2	1/2	1 15/16	6 3/4	4 9/16	458
8D400-N	40.60	40.00	6	N	A 3	10 1/2	1/2	2 1/4	8 1/8	3 9/16	638
8D440-N	44.60	44.00	6	N	A 3	10 1/2	1/2	2 1/4	8 1/8	3 9/16	616
8D480-N	48.60	48.00	6	N	A 3	10 1/2	1/2	2 1/4	8 1/8	3 9/16	755
8D580-N	58.60	58.00	6	N	A 3	10 1/2	1/2	2 1/4	8 1/8	3 9/16	1112

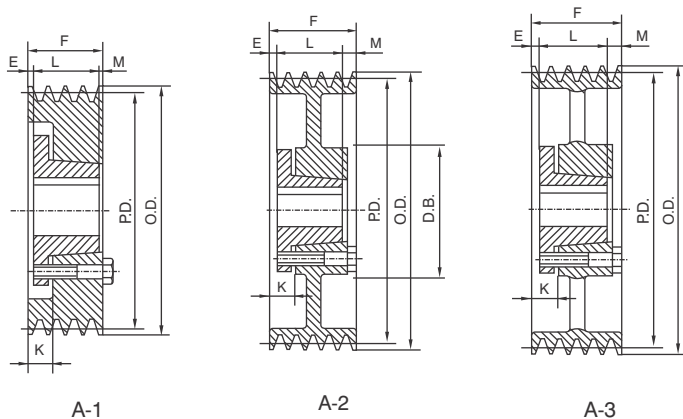
* Db = pulley hub diameter

D-10

F = 14 11/16" (373.06mm)

Part No.	O.D.	P.D.	Bush Max Bore	Bush	Type	Db*	E	K	L	M	Wgt. Less Bush
10D120-M	12.60	12.00	5 1/2	M	A 1	—	2 1/2	3 15/16	6 3/4	5 7/16	158
10D130-M	13.60	13.00	5 1/2	M	A 1	—	2 1/2	3 15/16	6 3/4	5 7/16	178
10D135-M	14.10	13.50	5 1/2	M	A 1	—	2 1/2	3 15/16	6 3/4	5 7/16	196
10D140-M	14.60	14.00	5 1/2	M	A 1	—	2 1/2	3 15/16	6 3/4	5 7/16	207
10D145-M	15.10	14.50	5 1/2	M	A 1	—	2 1/2	3 15/16	6 3/4	5 7/16	225
10D150-M	15.60	15.00	5 1/2	M	A 1	—	2 1/2	3 15/16	6 3/4	5 7/16	238
10D155-M	16.10	15.50	5 1/2	M	A 1	—	2 1/2	3 15/16	6 3/4	5 7/16	260
10D160-M	16.60	16.00	5 1/2	M	A 1	—	2 1/2	3 15/16	6 3/4	5 7/16	279
10D170-M	17.60	17.00	5 1/2	M	A 1	—	2 1/2	3 15/16	6 3/4	5 7/16	292
10D180-M	18.60	18.00	5 1/2	M	A 1	—	2 1/2	3 15/16	6 3/4	5 7/16	330
10D200-M	20.60	20.00	5 1/2	M	A 2	9 1/2	2 1/2	3 15/16	6 3/4	5 7/16	340
10D220-M	22.60	22.00	5 1/2	M	A 3	9 1/2	1 1/2	2 15/16	6 3/4	6 7/16	355
10D270-M	27.60	27.00	5 1/2	M	A 3	9 1/2	1 1/2	2 15/16	6 3/4	6 7/16	398
10D330-N	33.60	33.00	6	N	A 3	10 1/2	1 1/2	3 1/4	8 1/8	5 1/16	434
10D400-N	40.60	40.00	6	N	A 3	10 1/2	1 1/2	3 1/4	8 1/8	5 1/16	502
10D440-N	44.60	44.00	6	N	A 3	10 1/2	1 1/2	3 1/4	8 1/8	5 1/16	727
10D480-P	48.60	48.00	6 3/4	P	A 3	13	5/8	2 5/8	9 3/8	4 11/16	755
10D580-P	58.60	58.00	6 3/4	P	A 3	13	5/8	2 5/8	9 3/8	4 11/16	1286

FOR QTL TAPER BUSHING - SEE PAGE 10



BORE RANGE FOR QTL BUSHING

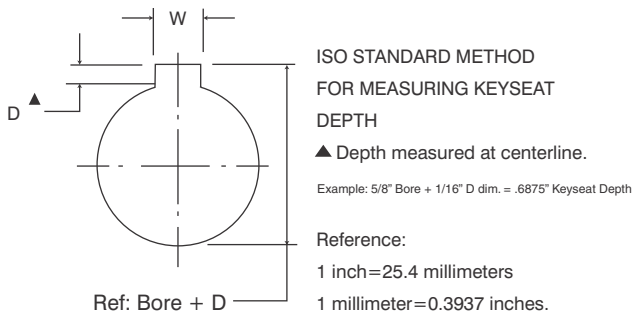
Bush. Sym.	Min. Bore	Max. Bore with:		
		Full Keyway	Shallow Keyway	No Keyway
SF	1/2	2 1/4	2 7/8	2-15/16
E	7/8	2-7/8	3-1/2	—
F	1	3-1/4	3-15/16	4
J	1-1/2	3 13/16	4-1/2	—
M	2	4 11/16	5 1/2	—
N	2-7/16	5 1/16	5-7/8	—
P	2-15/16	5 13/16	7	—

D-12

F = 17 9/16" (446.09mm)

Part No.	O.D.	PD.	Bush Max Bore	Bush	Type	Db*	E	K	L	M	Wgt. Less Bush
12D120-M	12.60	12.00	5 1/2	M	A1	—	3 1/2	4 15/16	6 3/4	7 5/16	158
12D130-M	13.60	13.00	5 1/2	M	A1	—	3 1/2	4 15/16	6 3/4	7 5/16	176
12D135-M	14.10	13.50	5 1/2	M	A1	—	3 1/2	4 15/16	6 3/4	7 5/16	219
12D140-M	14.60	14.00	5 1/2	M	A1	—	3 1/2	4 15/16	6 3/4	7 5/16	242
12D145-M	15.10	14.50	5 1/2	M	A1	—	3 1/2	4 15/16	6 3/4	7 5/16	256
12D150-M	15.60	15.0	5 1/2	M	A1	—	3 1/2	4 15/16	6 3/4	7 5/16	266
12D155-M	16.10	15.50	5 1/2	M	A1	—	3 1/2	4 15/16	6 3/4	7 5/16	287
12D160-M	16.60	16.00	5 1/2	M	A1	—	3 1/2	4 15/16	6 3/4	7 5/16	308
12D170-M	17.60	17.00	5 1/2	M	A1	—	3 1/2	4 15/16	6 3/4	7 5/16	325
12D180-M	18.60	18.00	5 1/2	M	A1	—	3 1/2	4 15/16	6 3/4	7 5/16	330
12D200-M	20.60	20.00	5 1/2	M	A2	9 1/2	3 1/2	4 15/16	6 3/4	7 5/16	340
12D220-M	22.60	22.00	5 1/2	M	A2	9 1/2	2 1/2	3 15/16	6 3/4	8 5/16	355
12D270-N	27.60	27.00	5 1/2	N	A3	10 1/2	2 1/2	4 1/4	6 3/4	6 15/16	392
12D330-N	33.60	33.00	6	N	A3	10 1/2	2 1/2	4 1/4	6 3/4	6 15/16	505
12D400-P	40.60	40.00	6 3/4	P	A3	13	5/8	2 5/8	8 1/8	7 9/16	946
12D440-P	44.60	44.00	6 3/4	P	A3	13	5/8	2 5/8	8 1/8	7 9/16	1065
12D480-P	48.60	48.00	6 3/4	P	A3	13	5/8	2 5/8	8 1/8	7 9/16	1155
12D580-P	58.60	58.00	6 3/4	P	A3	13	5/8	2 5/8	8 1/8	7 9/16	1576

* Db = pulley hub diameter



STANDARD KEYWAY & KEY DIMENSION

Bores	Key Seat	Key
1 13/16-2 1/4	1/2x1/4	1/2x1/2
2 5/16-2 3/4	5/8x5/16	5/8x5/8
2 13/16-3 1/4	3/4x3/8	3/4x3/4
3 5/16-3 3/4	7/8x7/16	7/8x7/8
3 13/16-4 1/2	1x1/2	1x1
4 9/16-5 1/2	1 1/4x5/8	1 1/4x1 1/4
5 9/16-6 1/2	1 1/2x3/4	1 1/2x1 1/2
6 9/16-7 1/2	1 3/4x7/8	1 3/4x1 3/4

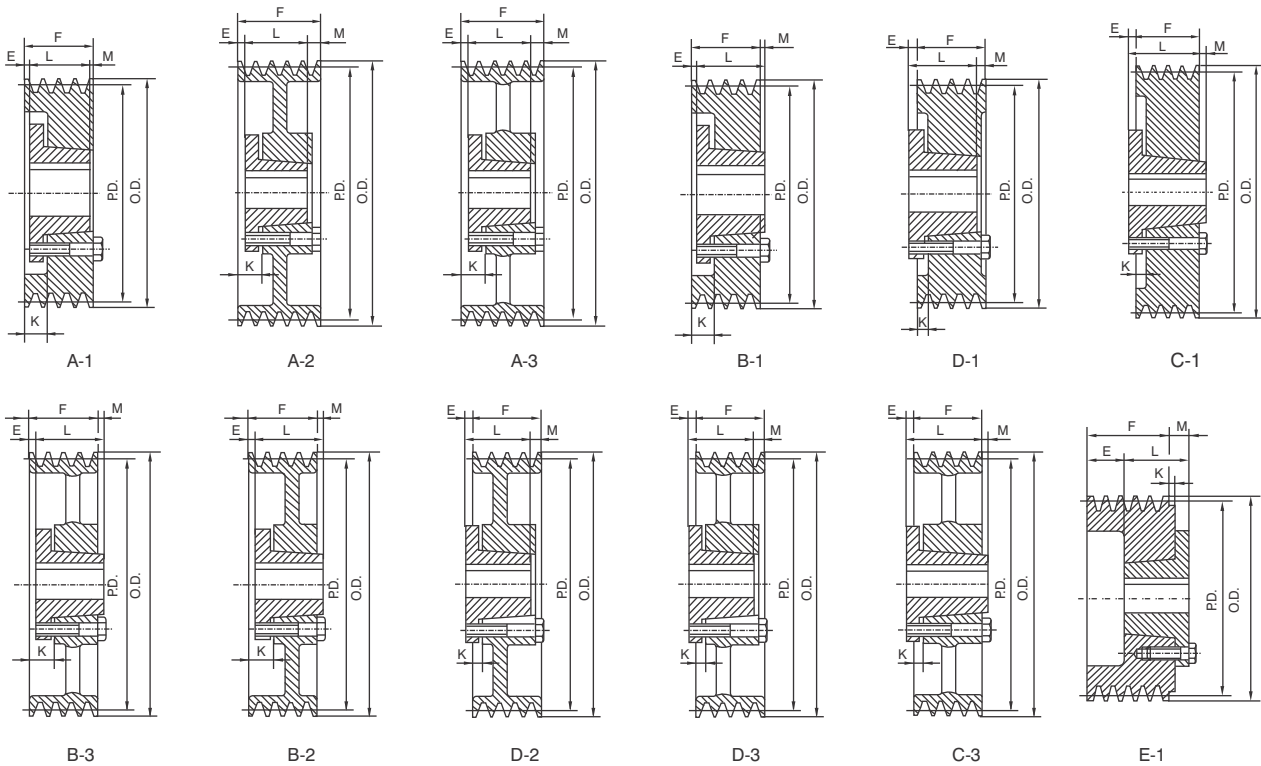
Dimensions: inch

A/B-C-D

3V-5V-8V • CAST IRON SHEAVES

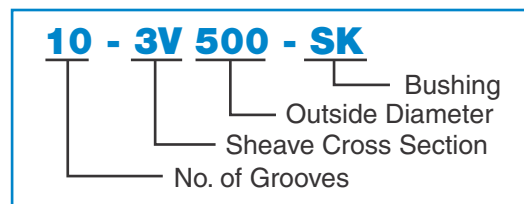


LEESON's series of taper bore V-pulleys are made of high-grade GG25 cast iron. They are matched with QTL "Quick Detachable" (QD) bushings for easy on-and-off use. These Narrow V-Belt sheaves offer higher horsepower than classical models and are suited to most power transmission installations.



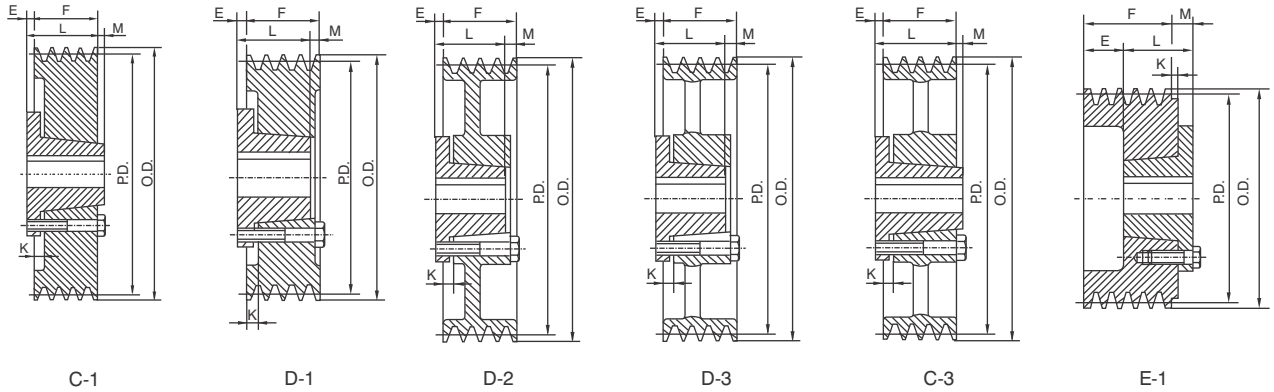
**NOMENCLATURE FOR TAPER-LOCK SHEAVES
FOR STANDARD NARROW V BELT**

HOW TO ORDER



FOR QTL TAPER BUSHING - SEE PAGE 10

3V-5V-8V

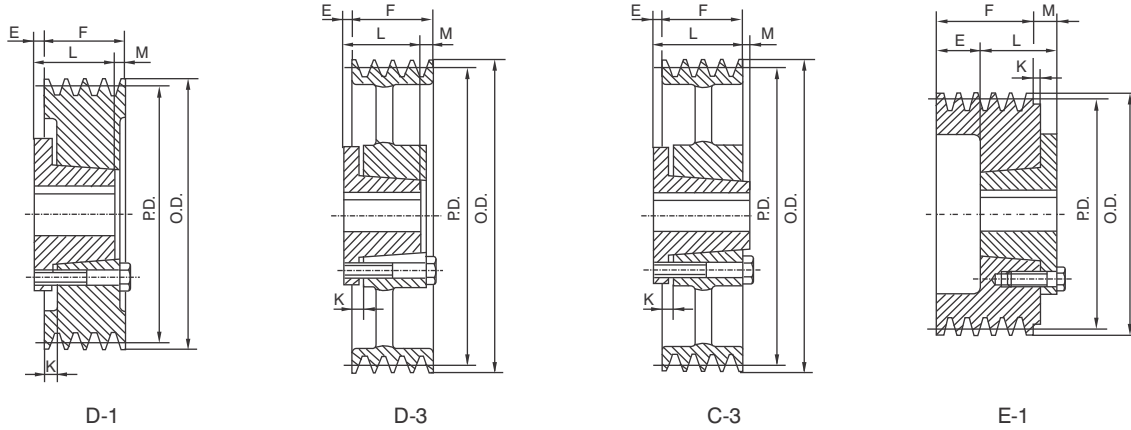


3V-1

F = 11/16" (17.46mm)

Part No.	O.D.	PD.	Bush Max Bore	Bush	Type	Db	E	K	L	M	Wgt. Less Bush
1-3V220-JA	2.20	2.15	1 1/4	JA	E1	—	9/16	7/16	1 1/16	15/16	0.7
1-3V235-JA	2.35	2.30	1 1/4	JA	E1	—	9/16	7/16	1 1/16	15/16	0.8
1-3V250-JA	2.50	2.45	1 1/4	JA	E1	—	9/16	7/16	1 1/16	15/16	0.9
1-3V265-JA	2.65	2.60	1 1/4	JA	C1	—	3/8	1/8	1 1/16	—	0.9
1-3V280-JA	2.80	2.75	1 1/4	JA	C1	—	3/8	1/8	1 1/16	—	1.0
1-3V300-JA	3.00	2.95	1 1/4	JA	C1	—	3/8	1/8	1 1/16	—	1.0
1-3V315-JA	3.15	3.10	1 1/4	JA	C1	—	3/8	1/8	1 1/16	—	1.1
1-3V335-JA	3.35	3.30	1 1/4	JA	C1	—	3/8	1/8	1 1/16	—	1.3
1-3V365-SH	3.65	3.60	1 11/16	SH	D1	—	9/16	—	1 5/16	1/16	1.7
1-3V412-SH	4.12	4.07	1 11/16	SH	D1	—	9/16	—	1 5/16	1/16	2.1
1-3V450-SH	4.50	4.45	1 11/16	SH	D2	3	9/16	—	1 5/16	1/16	2.5
1-3V475-SH	4.75	4.70	1 11/16	SH	D2	3	9/16	—	1 5/16	1/16	2.8
1-3V500-SH	5.00	4.95	1 11/16	SH	D2	3	9/16	—	1 5/16	1/16	3.2
1-3V530-SH	5.30	5.25	1 11/16	SH	D2	3	9/16	—	1 5/16	1/16	3.2
1-3V560-SH	5.60	5.55	1 11/16	SH	D2	3	9/16	—	1 5/16	1/16	3.5
1-3V600-SH	6.00	5.95	1 11/16	SH	D2	3	9/16	—	1 5/16	1/16	3.9
1-3V650-SH	6.50	6.45	1 11/16	SH	D3	3	9/16	—	1 5/16	1/16	4.5
1-3V690-SH	6.90	6.85	1 11/16	SH	D3	3	9/16	—	1 5/16	1/16	5.5
1-3V800-SDS	8.00	7.95	2	SDS	C3	3 1/2	5/8	—	1 3/8	—	8.0
1-3V1060-SDS	10.60	10.55	2	SDS	C3	3 1/2	5/8	—	1 3/8	—	13.5
1-3V1400-SK	14.00	13.95	2 5/8	SK	C3	4 3/8	1 1/16	—	1 15/16	—	17.0
1-3V1900-SK	19.00	18.95	2 5/8	SK	C3	4 3/8	1 1/16	—	1 15/16	—	19.5

F=3/4" for 1-3V800-SDS and 1-3V1060-SDS, F=13/16" for 1-3V1400-SK and 1-3V1900-SK

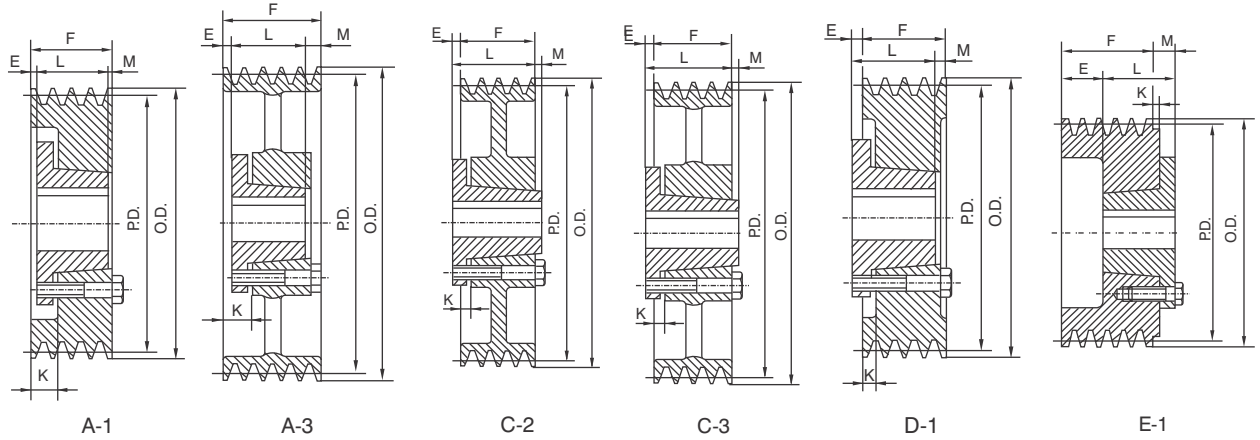


3V-2

F = 1 3/32" (27.78mm)

Part No.	O.D.	P.D.	Bush Max Bore	Bush	Type	Db	E	K	L	M	Wgt. Less Bush
2-3V220-JA	2.20	2.15	1 1/4	JA	E1	—	31/32	7/16	1 1/16	15/16	0.9
2-3V235-JA	2.35	2.30	1 1/4	JA	E1	—	31/32	7/16	1 1/16	15/16	1.0
2-3V250-JA	2.50	2.45	1 1/4	JA	E1	—	31/32	7/16	1 1/16	15/16	1.2
2-3V265-JA	2.65	2.60	1 1/4	JA	D1	—	3/8	1/8	1 1/16	13/32	1.3
2-3V280-JA	2.80	2.75	1 1/4	JA	D1	—	3/8	1/8	1 1/16	13/32	1.4
2-3V300-JA	3.00	2.95	1 1/4	JA	D1	—	3/8	1/8	1 1/16	13/32	1.6
2-3V315-JA	3.15	3.10	1 1/4	JA	D1	—	3/8	1/8	1 1/16	13/32	1.8
2-3V335-SH	3.35	3.30	1 11/16	SH	D1	—	1/4	1/4	15/16	1/32	2.0
2-3V365-SH	3.65	3.60	1 11/16	SH	D1	—	1/4	1/4	15/16	1/32	2.4
2-3V412-SH	4.12	4.07	1 11/16	SH	D1	—	1/4	1/4	15/16	1/32	2.7
2-3V450-SH	4.50	4.45	1 11/16	SH	D1	—	1/4	1/4	15/16	1/32	2.9
2-3V475-SH	4.75	4.70	1 11/16	SH	D1	—	1/4	1/4	15/16	1/32	3.1
2-3V500-SH	5.00	4.95	1 11/16	SH	D1	—	1/4	1/4	15/16	1/32	3.6
2-3V530-SH	5.30	5.25	1 11/16	SH	D1	—	1/4	1/4	15/16	1/32	4.5
2-3V560-SH	5.60	5.55	1 11/16	SH	D1	—	1/4	1/4	15/16	1/32	5.0
2-3V600-SH	6.00	5.95	1 11/16	SH	D1	—	1/4	1/4	15/16	1/32	5.5
2-3V650-SDS	6.50	6.45	2	SDS	D3	31/2	5/16	5/16	1 3/8	1/32	5.8
2-3V690-SDS	6.90	6.85	2	SDS	D3	31/2	5/16	5/16	1 3/8	1/32	6.0
2-3V800-SDS	8.00	7.95	2	SDS	D3	31/2	5/16	5/16	1 3/8	1/32	7.0
2-3V1060-SK	10.60	10.55	2 5/8	SK	C3	4 3/8	7/16	1/4	1 15/16	13/32	10
2-3V1400-SK	14.00	13.95	2 5/8	SK	C3	4 3/8	7/16	1/4	1 15/16	13/32	16
2-3V1900-SK	19.00	18.95	2 5/8	SK	C3	4 3/8	7/16	1/4	1 15/16	13/32	25
2-3V2500-SF	25.00	24.95	2 15/16	SF	C3	5	7/16	1/4	2 1/16	17/32	28

3V-5V-8V



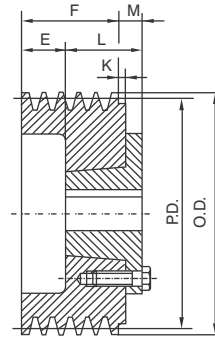
3V-3

F=1 1/2" (38.10mm)

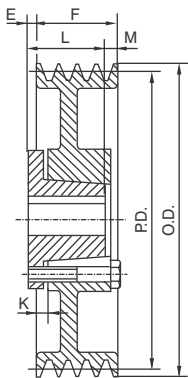
Part No.	O.D.	P.D.	Bush Max Bore	Bush	Type	Db	E	K	L	M	Wgt. Less Bush
3-3V250-JA	2.50	2.45	1 1/4	JA	E1	2 3/8	1 3/8	7/16	1 1/16	15/16	1.6
3-3V265-JA	2.65	2.60	1 1/4	JA	D1	—	3/8	1/8	1 1/16	13/16	1.8
3-3V280-JA	2.80	2.75	1 1/4	JA	D1	—	3/8	1/8	1 1/16	13/16	2.0
3-3V300-JA	3.00	2.95	1 11/16	JA	E1	—	1 1/16	—	1 15/16	9/16	2.2
3-3V315-SH	3.15	3.10	1 11/16	SH	E1	3	1 1/16	5/16	15/16	7/8	2.5
3-3V335-SH	3.35	3.30	1 11/16	SH	D1	—	7/16	1/8	15/16	5/8	2.8
3-3V365-SH	3.65	3.60	1 11/16	SH	D1	—	7/16	1/8	15/16	5/8	3.0
3-3V412-SH	4.12	4.07	1 11/16	SH	A1	—	1/8	1 1/16	15/16	1/16	3.3
3-3V450-SDS	4.50	4.45	2	SDS	A1	—	1/16	1 1/16	1 3/8	1/16	3.5
3-3V475-SDS	4.75	4.70	2	SDS	A1	—	1/16	1 1/16	1 3/8	1/16	3.7
3-3V500-SDS	5.00	4.95	2	SDS	A1	—	1/16	1 1/16	1 3/8	1/16	4.0
3-3V530-SDS	5.30	5.25	2	SDS	A1	—	1/16	1 1/16	1 3/8	1/16	4.3
3-3V560-SDS	5.60	5.55	2	SDS	A1	—	1/16	1 1/16	1 3/8	1/16	4.9
3-3V600-SDS	6.00	5.95	2	SDS	A1	—	1/16	1 1/16	1 3/8	1/16	5.9
3-3V650-SDS	6.50	6.45	2	SDS	A3	3 1/2	1/16	1 1/16	1 3/8	1/16	6.3
3-3V690-SDS	6.90	6.85	2	SDS	A3	3 1/2	1/16	1 1/16	1 3/8	1/16	6.8
3-3V800-SK	8.00	7.95	2 5/8	SK	C2	4 3/8	7/16	1/4	1 15/16	—	10.8
3-3V1060-SK	10.60	10.55	2 5/8	SK	C3	4 3/8	7/16	1/4	1 15/16	—	12.0
3-3V1400-SK	14.00	13.95	2 5/8	SK	C3	4 3/8	7/16	1/4	1 15/16	—	20.0
3-3V1900-SF	19.00	18.95	2 15/16	SF	C3	5	7/16	1/4	2 1/16	1/8	33.0
3-3V2500-SF	25.00	24.95	2 15/16	SF	C3	5	7/16	1/4	2 1/16	1/8	45.0
3-3V3350-SF	33.50	33.45	2 15/16	SF	C3	5	7/16	1/4	2 1/16	1/8	75.0

3V-5V-8V

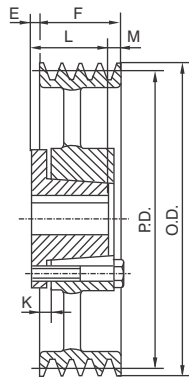
3V-5V-8V V-PULLEYS FOR QTL TAPER BUSHING



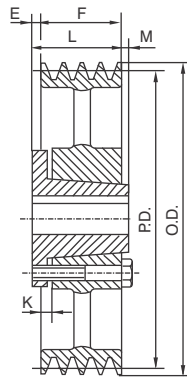
E-1



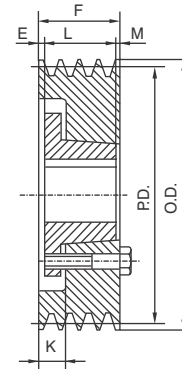
D-2



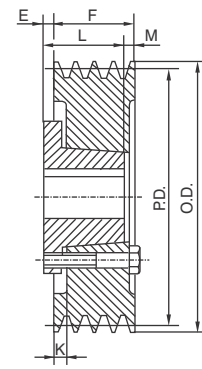
D-3



C-3



A-1



D-1

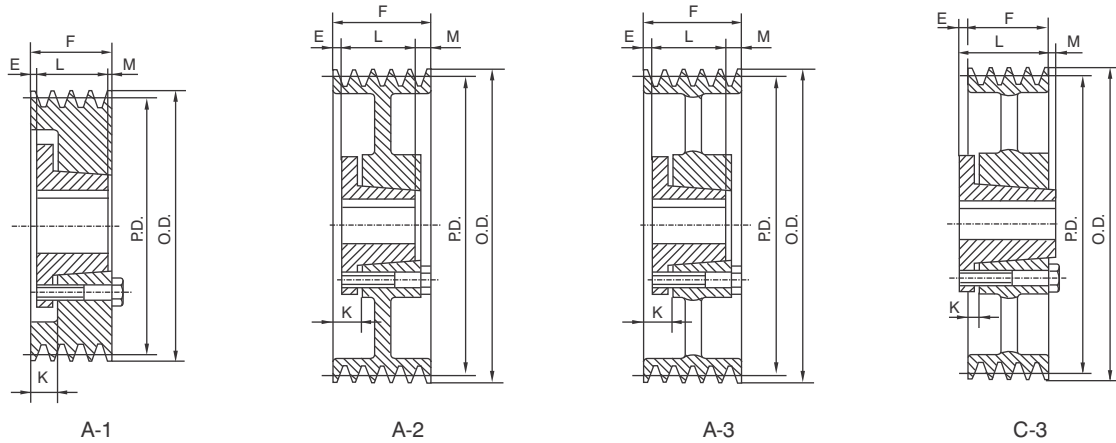
3V-4

F = 1 29/32" (48.42mm)

Part No.	O.D.	P.D.	Bush Max Bore	Bush	Type	Db	E	K	L	M	Wgt. Less Bush
4-3V265-JA	2.65	2.60	1 1/4	JA	D1	—	3/8	1/8	1 1/16	1 7/32	1.3
4-3V280-JA	2.80	2.75	1 1/4	JA	D1	—	3/8	1/8	1 1/16	1 7/32	1.6
4-3V300-SH	3.00	2.95	1 11/16	SH	E1	—	1 15/32	5/16	1 5/16	7/8	1.9
4-3V315-SH	3.15	3.10	1 11/16	SH	E1	3	1 15/32	5/16	1 5/16	7/8	2.2
4-3V335-SH	3.35	3.30	1 11/16	SH	D1	—	7/16	1/8	1 5/16	1 1/32	2.5
4-3V365-SH	3.65	3.60	1 11/16	SH	D1	—	7/16	1/8	1 5/16	1 1/32	2.8
4-3V412-SH	4.12	4.07	1 11/16	SH	A1	—	1/4	13/16	1 5/16	1 1/32	3.2
4-3V450-SDS	4.50	4.45	2	SDS	A1	—	3/16	13/16	1 3/8	1 1/32	3.5
4-3V475-SDS	4.75	4.70	2	SDS	A1	—	3/16	13/16	1 3/8	1 1/32	4.0
4-3V500-SDS	5.00	4.95	2	SDS	A1	—	3/16	13/16	1 3/8	1 1/32	4.5
4-3V530-SDS	5.30	5.25	2	SDS	A1	—	3/16	13/16	1 3/8	1 1/32	5.0
4-3V560-SDS	5.60	5.55	2	SDS	A1	—	3/16	13/16	1 3/8	1 1/32	5.7
4-3V600-SK	6.00	5.95	2 5/8	SK	D1	—	1/16	5/8	1 15/16	1/32	7.5
4-3V650-SK	6.50	6.45	2 5/8	SK	D2	—	1/16	5/8	1 15/16	1/32	8.0
4-3V690-SK	6.90	6.85	2 5/8	SK	D2	—	1/16	5/8	1 15/16	1/32	10
4-3V800-SK	8.00	7.95	2 5/8	SK	D2	43/8	1/16	5/8	1 15/16	1/32	12
4-3V1060-SK	10.60	10.55	2 5/8	SK	D3	43/8	1/16	5/8	1 15/16	1/32	16
4-3V1400-SK	14.00	13.95	2 5/8	SK	D3	43/8	1/16	5/8	1 15/16	1/32	22
4-3V1900-SF	19.00	18.95	2 15/16	SF	C3	5	1/16	5/8	2 1/16	3/32	37
4-3V2500-SF	25.00	24.95	2 15/16	SF	C3	5	1/16	5/8	2 1/16	3/32	53
4-3V-3350-E	33.50	33.45	3 1/2	E	C3	6 1/4	3/8	1/2	2 5/8	1 1/32	80

FOR QTL TAPER BUSHING - SEE PAGE 10

3V-5V-8V V-PULLEYS FOR QTL TAPER BUSHING



3V-5

F=2 5/16" (58.74mm)

Part No.	O.D.	P.D.	Bush Max Bore	Bush	Type	Db	E	K	L	M	Wgt. Less Bush
5-3V475-SDS	4.75	4.70	2	SDS	A2	3 1/2	3/16	13/16	13/8	3/4	4.5
5-3V500-SDS	5.00	4.95	2	SDS	A2	3 1/2	3/16	13/16	13/8	3/4	5.3
5-3V530-SK	5.30	5.25	25/8	SK	A1	—	1/4	15/16	115/16	1/8	5.8
5-3V560-SK	5.60	5.55	25/8	SK	A1	—	1/4	15/16	115/16	1/8	7.0
5-3V600-SK	6.00	5.95	25/8	SK	A1	—	1/4	15/16	115/16	1/8	8.3
5-3V650-SK	6.50	6.45	25/8	SK	A1	—	1/4	15/16	115/16	1/8	9.0
5-3V690-SK	6.90	6.85	25/8	SK	A1	—	1/4	15/16	115/16	1/8	12.0
5-3V800-SK	8.00	7.95	25/8	SK	A2	43/8	1/4	15/16	115/16	1/8	13.0
5-3V1060-SK	10.60	10.55	25/8	SK	A3	43/8	1/4	15/16	115/16	1/8	17.0
5-3V1400-SF	14.00	13.95	2 15/16	SF	A3	5	3/16	7/8	2 1/16	1/16	27.0
5-3V1900-SF	19.00	18.95	2 15/16	SF	A3	5	3/16	7/8	2 1/16	1/16	40.0
5-3V2500-E	25.00	24.95	3 1/2	E	C3	6 1/4	1/4	5/8	25/8	1/16	69.0
5-3V3350-E	33.50	33.45	3 1/2	E	C3	6 1/4	1/4	5/8	25/8	1/16	97.0

BORE RANGE

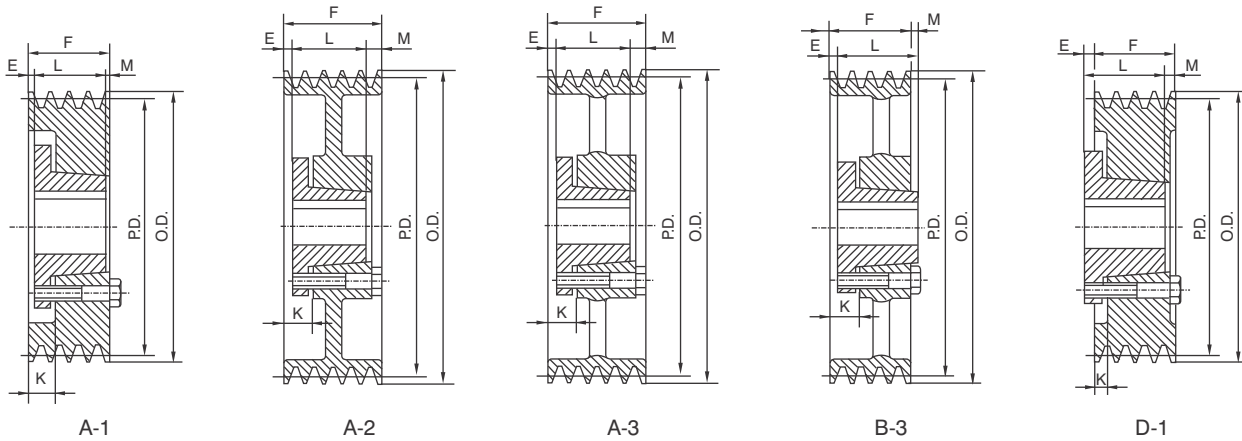
QTL Bush	Bore	
	Min	Max
JA	1/2	1 1/4
SH	1/2	15/16
SD	1/2	2
SK	1/2	25/8
SF	1/2	2 15/16
E	7/8	3 1/2



STANDARD KEYSEATS

Bore Range	Keyseat
15/16"-11/4"	1/4"x1/8"
15/16-13/8	5/16x5/32
17/16-13/4	3/8x3/16
1 13/16-2 1/4	1/2x1/4
25/16-23/4	5/8x5/16
2 13/16-3 1/4	3/4x3/8
33/8-33/4	7/8x7/16

1 3/8" Bore Bushings also available with 3/8"x3/16" Keyseat.



3V-6

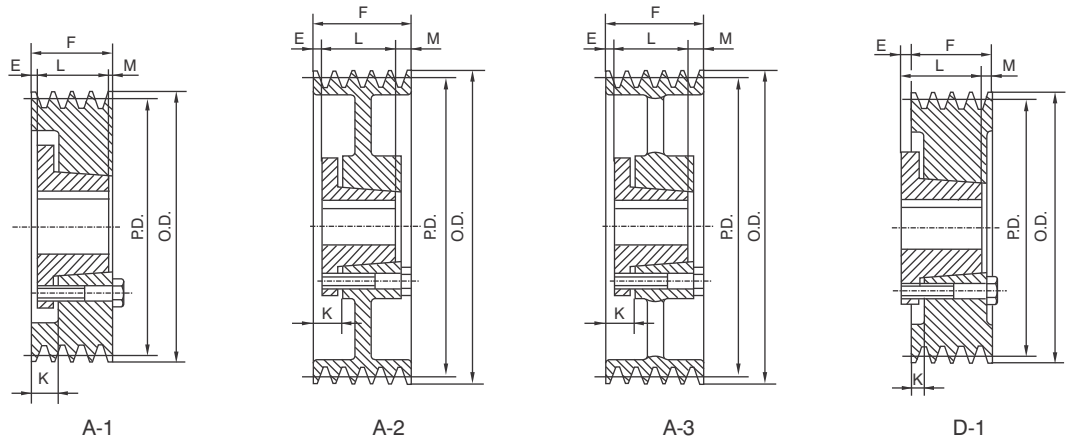
F = 2 23/32" (69.06mm)

Part No.	O.D.	P.D.	Bush Max Bore	Bush	Type	Db	E	K	L	M	Wgt. Less Bush
6-3V475-SK	4.75	4.70	2	SK	D1	—	9/16	1/8	1 15/16	1 11/32	6.0
6-3V500-SK	5.00	4.95	2	SK	D1	—	9/16	1/8	1 15/16	1 11/32	6.5
6-3V530-SK	5.30	5.25	2 5/8	SK	A1	—	5/8	1 5/16	1 15/16	5/32	6.8
6-3V560-SK	5.60	5.55	2 5/8	SK	A1	—	5/8	1 5/16	1 15/16	5/32	8.0
6-3V600-SK	6.00	5.95	2 5/8	SK	A1	—	5/8	1 5/16	1 15/16	5/32	9.0
6-3V650-SK	6.50	6.45	2 5/8	SK	A2	43/8	5/8	1 5/16	1 15/16	5/32	10.0
6-3V690-SK	6.90	6.85	2 5/8	SK	A2	43/8	5/8	1 5/16	1 15/16	5/32	11.5
6-3V800-SK	8.00	7.95	2 5/8	SK	A2	43/8	3/16	7/8	1 15/16	19/32	17.0
6-3V1060-SF	10.60	10.55	2 5/8	SF	A2	5	3/16	7/8	2 1/16	15/32	25.0
6-3V1400-SF	14.00	13.95	2 15/16	SF	A3	5	3/16	7/8	2 1/16	15/32	34.0
6-3V1900-E	19.00	18.95	2 15/16	E	B3	6 1/4	1/8	1	2 5/8	1/32	45.0
6-3V2500-E	25.00	24.95	3 1/2	E	B3	6 1/4	1/8	1	2 5/8	1/32	75.0
6-3V3350-E	33.50	33.45	3 1/2	E	B3	6 1/4	1/8	1	2 5/8	1/32	98.0

3V-8

F = 3 17/32" (89.70mm)

Part No.	O.D.	P.D.	Bush Max Bore	Bush	Type	Db	E	K	L	M	Wgt. Less Bush
8-3V475-SK	4.75	4.70	2 5/8	SK	D1	—	9/16	1/8	1 15/16	2 5/32	6.0
8-3V500-SK	5.00	4.95	2 5/8	SK	D1	—	9/16	1/8	1 15/16	2 5/32	6.9
8-3V530-SK	5.30	5.25	2 5/8	SK	A1	—	5/8	1 5/16	1 15/16	31/32	7.8
8-3V560-SK	5.60	5.55	2 5/8	SK	A1	—	5/8	1 5/16	1 15/16	31/32	9.0
8-3V600-SK	6.00	5.95	2 5/8	SK	A1	—	5/8	1 5/16	1 15/16	31/32	10.0
8-3V650-SK	6.50	6.45	2 5/8	SK	A2	43/8	5/8	1 5/16	1 15/16	31/32	12.9
8-3V690-SK	6.90	6.85	2 5/8	SK	A2	43/8	5/8	1 5/16	1 15/16	31/32	14.0
8-3V800-SF	8.00	7.95	2 15/16	SF	A1	—	7/16	1 1/8	2 1/16	1 1/32	20.0
8-3V1060-SF	10.60	10.55	2 15/16	SF	A2	5	7/16	1 1/8	2 1/16	1 1/32	28.0
8-3V1400-E	14.00	13.95	3 1/2	E	A3	6 1/4	3/8	1 1/4	2 5/8	17/32	40.0
8-3V1900-E	19.00	18.95	3 1/2	E	A3	6 1/4	3/8	1 1/4	2 5/8	17/32	62.0
8-3V2500-E	25.00	24.95	3 1/2	E	A3	6 1/4	3/8	1 1/4	2 5/8	17/32	87.0
8-3V3350-F	33.50	33.45	3 15/16	F	B3	7	1/16	1 1/16	3 5/8	5/32	152



3V-10

F=4 11/32" (110.33mm)

Part No.	O.D.	P.D.	Bush Max Bore	Bush	Type	Db	E	K	L	M	Wgt. Less Bush
10-3V475-SK	4.75	4.70	25/8	SK	D1	—	9/16	1/8	115/16	231/32	7.0
10-3V500-SK	5.00	4.95	25/8	SK	D1	—	9/16	1/8	115/16	231/32	8.6
10-3V530-SK	5.30	5.25	25/8	SK	A1	—	3/4	17/16	115/16	121/32	9.0
10-3V560-SK	5.60	5.55	25/8	SK	A1	—	3/4	17/16	115/16	121/32	10
10-3V600-SK	6.00	5.95	25/8	SK	A1	—	3/4	17/16	115/16	121/32	11
10-3V650-SK	6.50	6.45	25/8	SK	A2	43/8	3/4	17/16	115/16	121/32	14
10-3V690-SK	6.90	6.85	25/8	SK	A2	43/8	3/4	17/16	115/16	121/32	16
10-3V800-SF	8.00	7.95	215/16	SF	A1	—	13/16	11/2	21/16	115/32	22
10-3V1060-E	10.60	10.55	31/2	E	A2	61/4	3/8	11/4	25/8	111/32	33
10-3V1400-E	14.00	13.95	31/2	E	A3	61/4	3/8	11/4	25/8	111/32	43
10-3V1900-E	19.00	18.95	31/2	E	A3	61/4	3/8	11/4	25/8	111/32	66
10-3V2500-F	25.00	24.95	315/16	F	A3	7	5/16	15/16	35/8	13/32	98
10-3V3350-F	33.50	33.45	315/16	F	A3	7	5/16	15/16	35/8	13/32	178

BORE RANGE

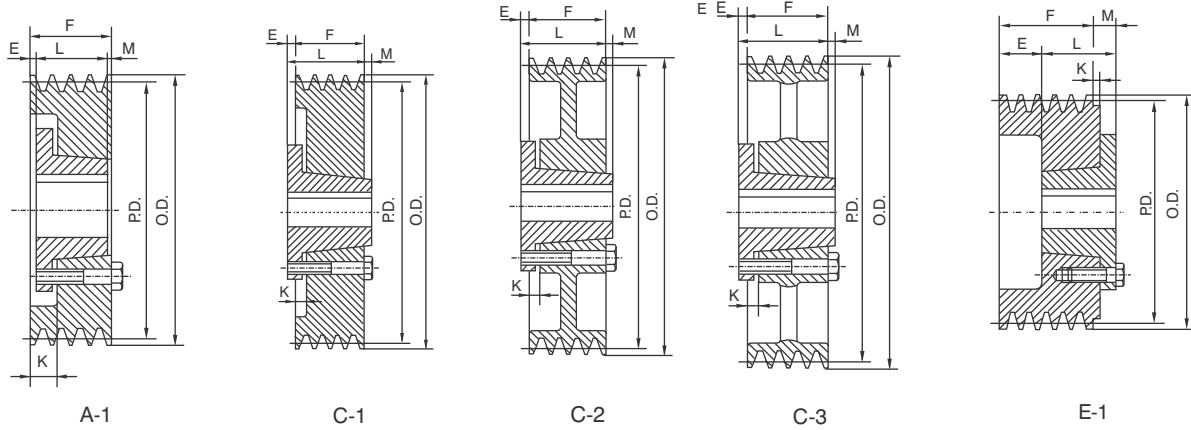
QTL Bush	Bore	
	Min	Max
JA	1/2	11/4
SH	1/2	15/16
SD	1/2	2
SK	1/2	25/8
SF	1/2	215/16
E	7/8	31/2



STANDARD KEYSEATS

Bore Range	Keyseat
15/16"-11/4"	1/4"x1/8"
15/16-13/8	5/16x5/32
17/16-13/4	3/8x3/16
113/16-21/4	1/2x1/4
25/16-23/4	5/8x5/16
213/16-31/4	3/4x3/8
33/8-33/4	7/8x7/16

1 3/8" Bore Bushings also available with 3/8"x3/16" Keyseat.

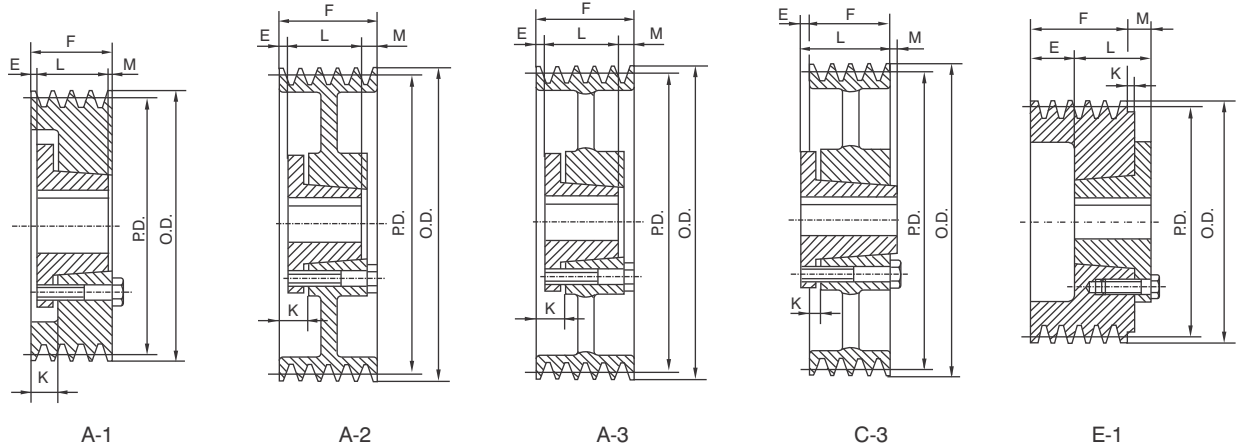


5V-2

F=1 11/16"(42.86mm)

Part No.	O.D.	P.D.	Bush Max Bore	Bush	Type	Db	E	K	L	M	Wgt. Less Bush
2-5V440-SH	4.40	4.30	1 11/16	SH	A1	—	5/16	7/8	1 5/16	1/16	4.0
2-5V465-SDS	4.65	4.55	2	SDS	E1	—	15/16	—	1 3/8	5/8	4.5
2-5V490-SDS	4.90	4.80	2	SDS	A1	—	1/16	11/16	1 3/8	1/4	5.0
2-5V520-SDS	5.20	5.10	2	SDS	A1	—	1/16	11/16	1 3/8	1/4	5.5
2-5V550-SDS	5.50	5.40	2	SDS	A1	—	1/16	11/16	1 3/8	1/4	6.0
2-5V590-SDS	5.90	5.80	2	SDS	A1	—	1/16	11/16	1 3/8	1/4	7.0
2-5V630-SK	6.30	6.20	2 5/8	SK	C1	—	1/4	7/16	1 15/16	—	8.0
2-5V670-SK	6.70	6.60	2 5/8	SK	C1	—	1/4	7/16	1 15/16	—	10
2-5V710-SK	7.10	7.00	2 5/8	SK	C1	—	1/4	7/16	1 15/16	—	11
2-5V750-SK	7.50	7.40	2 5/8	SK	C1	—	1/4	7/16	1 15/16	—	13
2-5V800-SK	8.00	7.90	2 5/8	SK	C1	—	1/4	7/16	1 15/16	—	14
2-5V850-SK	8.50	8.40	2 5/8	SK	C1	—	1/4	7/16	1 15/16	—	15
2-5V900-SK	9.00	8.90	2 5/8	SK	C2	43/8	1/4	7/16	1 15/16	—	16
2-5V925-SK	9.25	9.15	2 5/8	SK	C2	43/8	1/4	7/16	1 15/16	—	16
2-5V975-SK	9.75	9.65	2 5/8	SK	C3	43/8	1/4	7/16	1 15/16	—	17
2-5V1030-SK	10.30	10.20	2 5/8	SK	C3	43/8	1/4	7/16	1 15/16	—	18
2-5V1090-SK	10.90	10.80	2 5/8	SK	C3	43/8	1/4	7/16	1 15/16	—	19
2-5V1130-SK	11.30	11.20	2 5/8	SK	C3	43/8	1/4	7/16	1 15/16	—	19
2-5V1180-SK	11.80	11.70	2 5/8	SK	C3	43/8	1/4	7/16	1 15/16	—	20
2-5V1250-SF	12.50	12.40	2 15/16	SF	C3	5	1/4	7/16	2 1/16	1/8	25
2-5V1320-SF	13.20	13.10	2 15/16	SF	C3	5	1/4	7/16	2 1/16	1/8	27
2-5V1400-SF	14.00	13.90	2 15/16	SF	C3	5	1/4	7/16	2 1/16	1/8	28
2-5V1500-SF	15.00	14.90	2 15/16	SF	C3	5	1/4	7/16	2 1/16	1/8	30
2-5V1600-SF	16.00	15.90	2 15/16	SF	C3	5	1/4	7/16	2 1/16	1/8	34
2-5V1870-SF	18.70	18.60	2 15/16	SF	C3	5	1/4	7/16	2 1/16	1/8	49
2-5V2120-SF	21.20	20.10	2 15/16	SF	C3	5	1/4	7/16	2 1/16	1/8	50
2-5V2360-E	23.60	23.50	3 1/2	E	C3	6 1/4	5/8	1/4	2 5/8	5/16	72
2-5V2800-E	28.00	27.90	3 1/2	E	C3	6 1/4	5/8	1/4	2 5/8	5/16	80

3V-5V-8V

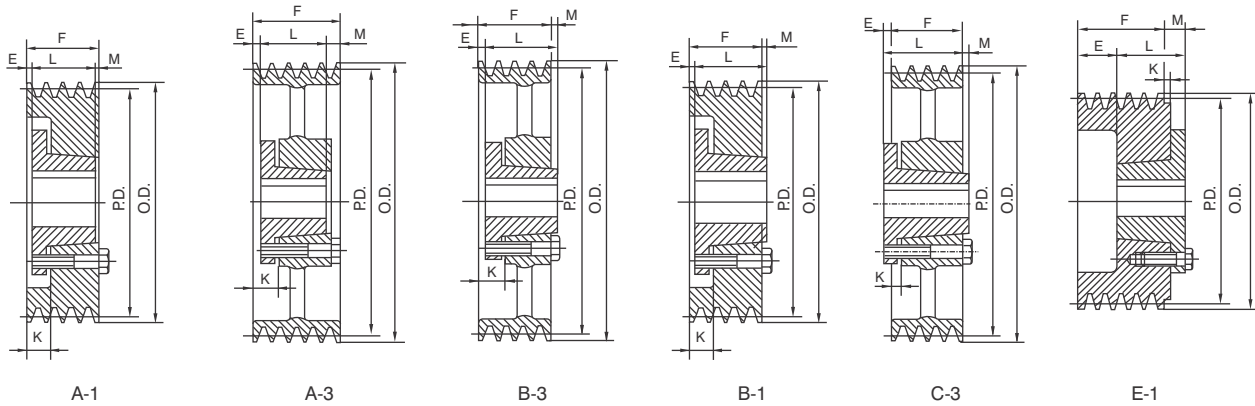


5V-3

F=2 3/8" (60.33mm)

Part No.	O.D.	P.D.	Bush Max Bore	Bush	Type	Db	E	K	L	M	Wgt. Less Bush
3-5V440-SDS	4.40	4.30	2	SDS	E1	3 1/2	1 5/8	-	1 3/8	5/8	5.5
3-5V465-SDS	4.65	4.55	2	SDS	E1	3 1/2	1 5/8	-	1 3/8	5/8	6.5
3-5V490-SDS	4.90	4.80	2	SDS	A1	—	7/16	1 1/16	1 3/8	9/16	7.0
3-5V520-SDS	5.20	5.10	2	SDS	A1	—	7/16	1 1/16	1 3/8	9/16	7.5
3-5V550-SDS	5.50	5.40	2	SDS	A1	—	7/16	1 1/16	1 3/8	9/16	8.0
3-5V590-SDS	5.90	5.80	2	SDS	A1	—	7/16	1 1/16	1 3/8	9/16	8.5
3-5V630-SK	6.30	6.20	2 5/8	SK	A1	—	3/8	1 1/16	1 15/16	1/16	11.0
3-5V670-SK	6.70	6.60	2 5/8	SK	A1	—	3/8	1 1/16	1 15/16	1/16	11.5
3-5V710-SF	7.10	7.00	2 15/16	SF	A1	—	5/16	1	2 1/16	—	13.0
3-5V750-SF	7.50	7.40	2 15/16	SF	A1	—	5/16	1	2 1/16	—	14.0
3-5V800-SF	8.00	7.90	2 15/16	SF	A1	—	5/16	1	2 1/16	—	15.0
3-5V850-SF	8.50	8.40	2 15/16	SF	A2	5	5/16	1	2 1/16	—	16.0
3-5V900-SF	9.00	8.90	2 15/16	SF	A2	5	5/16	1	2 1/16	—	17.0
3-5V925-SF	9.25	9.15	2 15/16	SF	A2	5	5/16	1	2 1/16	—	18.0
3-5V975-SF	9.75	9.65	2 15/16	SF	A2	5	5/16	1	2 1/16	—	19.0
3-5V1030-SF	10.30	10.20	2 15/16	SF	A2	5	5/16	1	2 1/16	—	22.0
3-5V1090-SF	10.90	10.80	2 15/16	SF	A2	5	5/16	1	2 1/16	—	25.0
3-5V1130-SF	11.30	11.20	2 15/16	SF	A3	5	5/16	1	2 1/16	—	26.0
3-5V1180-SF	11.80	11.70	2 15/16	SF	A3	5	5/16	1	2 1/16	—	28.0
3-5V1250-E	12.50	12.40	3 1/2	E	C3	6 1/4	1/8	3/4	2 5/8	1/8	34.0
3-5V1320-E	13.20	13.10	3 1/2	E	C3	6 1/4	1/8	3/4	2 5/8	1/8	38.0
3-5V1400-E	14.00	13.90	3 1/2	E	C3	6 1/4	1/8	3/4	2 5/8	1/8	43.0
3-5V1500-E	15.00	14.90	3 1/2	E	C3	6 1/4	1/8	3/4	2 5/8	1/8	44.0
3-5V1600-E	16.00	15.90	3 1/2	E	C3	6 1/4	1/8	3/4	2 5/8	1/8	46.0
3-5V1870-E	18.70	18.60	3 1/2	E	C3	6 1/4	1/8	3/4	2 5/8	1/8	60.0
3-5V2120-E	21.20	21.10	3 1/2	E	C3	6 1/4	1/8	3/4	2 5/8	1/8	68.0
3-5V2360-E	23.60	23.50	3 1/2	E	C3	6 1/4	1/8	3/4	2 5/8	1/8	80.0
3-5V2800-E	28.00	27.90	3 1/2	E	C3	6 1/4	1/8	3/4	2 5/8	1/8	92.0
3-5V3150-F	31.50	31.40	3 15/16	F	C3	7	7/16	9/16	3 5/8	13/16	136
3-5V3750-F	37.50	37.40	3 15/16	F	C3	7	7/16	9/16	3 5/8	13/16	156
3-5V5000-F	50.00	49.90	3 15/16	F	C3	7	7/16	9/16	3 5/8	13/16	210

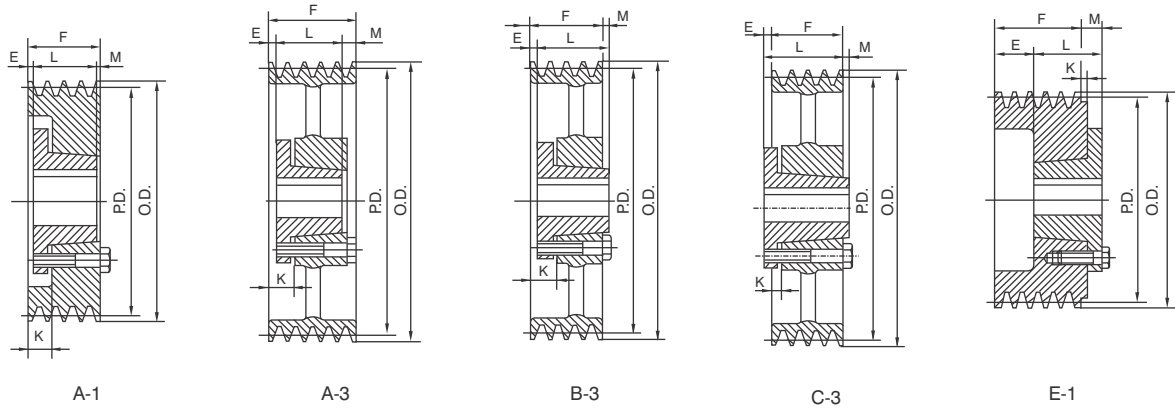
3V-5V-8V



5V-4

F=3 1/16"(77.79mm)

Part No.	O.D.	P.D.	Bush Max Bore	Bush	Type	Db	E	K	L	M	Wgt. Less Bush
4-5V440-SD	4.40	4.30	2	SD	E1	3 1/2	17/8	—	113/16	5/8	5.0
4-5V465-SD	4.65	4.55	2	SD	E1	3 1/2	17/8	—	113/16	5/8	6.0
4-5V490-SD	4.90	4.80	2	SD	A1	—	11/16	15/16	113/16	9/16	7.0
4-5V520-SD	5.20	5.10	2	SD	A1	—	11/16	15/16	113/16	9/16	8.0
4-5V550-SD	5.50	5.40	2	SD	A1	—	11/16	15/16	113/16	9/16	9.0
4-5V590-SD	5.90	5.80	2	SD	A1	—	11/16	15/16	113/16	9/16	10.8
4-5V630-SK	6.30	6.20	2 5/8	SK	A1	—	5/8	15/16	115/16	1/2	12.0
4-5V670-SK	6.70	6.60	2 5/8	SK	A1	—	5/8	15/16	115/16	1/2	14.0
4-5V710-SF	7.10	7.00	2 15/16	SF	A1	—	3/8	11/16	21/16	5/8	15.0
4-5V750-SF	7.50	7.40	2 15/16	SF	A1	—	3/8	11/16	21/16	5/8	16.0
4-5V800-E	8.00	7.90	3 1/2	E	B1	—	9/16	17/16	25/8	1/8	19.0
4-5V850-E	8.50	8.40	3 1/2	E	B1	—	9/16	17/16	25/8	1/8	23.0
4-5V900-E	9.00	8.90	3 1/2	E	B1	—	9/16	17/16	25/8	1/8	25.0
4-5V925-E	9.25	9.15	3 1/2	E	B1	—	9/16	17/16	25/8	1/8	26.0
4-5V975-E	9.75	9.65	3 1/2	E	B1	—	9/16	17/16	25/8	1/8	28.0
4-5V1030-E	10.30	10.20	3 1/2	E	B1	—	9/16	17/16	25/8	1/8	30.0
4-5V1090-E	10.90	10.80	3 1/2	E	B1	—	9/16	17/16	25/8	1/8	39.0
4-5V1130-E	11.30	11.20	3 1/2	E	B1	—	9/16	17/16	25/8	1/8	40.0
4-5V1180-E	11.80	11.70	3 1/2	E	B1	—	9/16	17/16	25/8	1/8	41.0
4-5V1250-E	12.50	12.40	3 1/2	E	B3	6 1/4	9/16	17/16	25/8	1/8	43.0
4-5V1320-E	13.20	13.10	3 1/2	E	B3	6 1/4	9/16	17/16	25/8	1/8	45.0
4-5V1400-E	14.00	13.90	3 1/2	E	B3	6 1/4	9/16	17/16	25/8	1/8	46.0
4-5V1500-E	15.00	14.90	3 1/2	E	B3	6 1/4	9/16	17/16	25/8	1/8	47.0
4-5V1600-E	16.00	15.90	3 1/2	E	B3	6 1/4	9/16	17/16	25/8	1/8	49.0
4-5V1870-E	18.70	18.60	3 1/2	E	A3	6 1/4	3/8	1 1/4	25/8	1/16	71.0
4-5V2120-E	20.20	21.10	3 1/2	E	A3	6 1/4	3/8	1 1/4	25/8	1/16	72.0
4-5V2360-F	23.60	23.50	3 15/16	F	C3	7	1/8	7/8	35/8	7/16	111
4-5V2800-F	28.00	27.90	3 15/16	F	C3	7	1/8	7/8	35/8	7/16	118
4-5V3150-F	31.50	31.40	3 15/16	F	C3	7	1/8	7/8	35/8	7/16	147
4-5V3750-F	37.50	37.40	3 15/16	F	C3	7	1/8	7/8	35/8	7/16	178
4-5V5000-J	50.00	49.90	4 1/2	J	C3	7 3/4	1/2	11/16	4 1/2	15/16	266

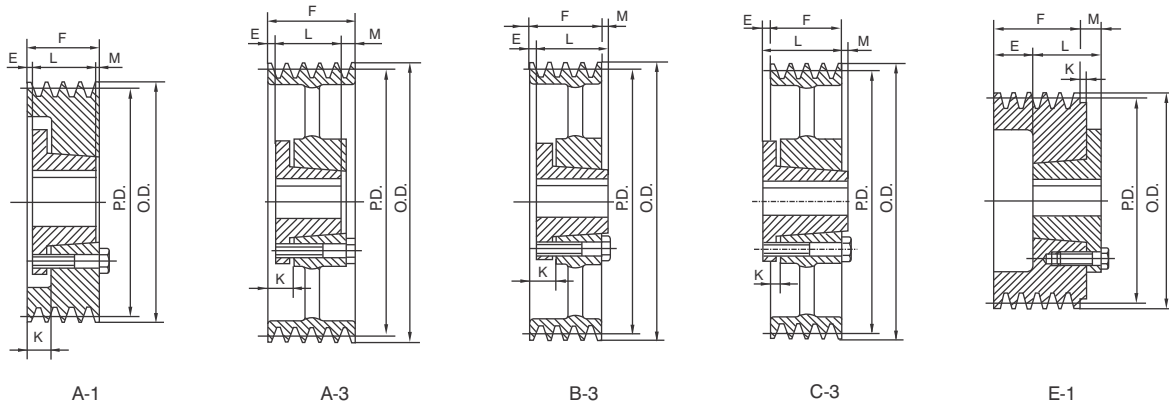


5V-5

F=3 3/4"(95.25mm)

Part No.	O.D.	P.D.	Bush Max Bore	Bush	Type	Db	E	K	L	M	Wgt. Less Bush
5-5V440-SD	4.40	4.30	2	SD	E1	3 1/2	29/16	—	1 13/16	5/8	6.0
5-5V465-SD	4.65	4.55	2	SD	E1	3 1/2	29/16	—	1 13/16	5/8	7.0
5-5V490-SD	4.90	4.80	2	SD	A1	—	1 11/16	1 15/16	1 13/16	1 1/4	8.0
5-5V520-SD	5.20	5.10	2	SD	A1	—	1 11/16	1 15/16	1 13/16	1 1/4	9.0
5-5V550-SD	5.50	5.40	2	SD	A1	—	1 11/16	1 15/16	1 13/16	1 1/4	10
5-5V590-SK	5.90	5.80	2	SK	A1	—	5/8	1 15/16	1 15/16	1 3/16	11
5-5V630-SK	6.30	6.20	2 5/8	SK	A1	—	5/8	1 15/16	1 15/16	1 3/16	12
5-5V670-SF	6.70	6.60	2 5/8	SF	A1	—	5/8	1 15/16	2 1/16	1 1/16	16
5-5V710-SF	7.10	7.00	2 15/16	SF	A1	—	1 11/16	1 13/8	2 1/16	1	14
5-5V750-SF	7.50	7.40	2 15/16	SF	A1	—	1 11/16	1 13/8	2 1/16	1	13
5-5V800-E	8.00	7.90	3 1/2	E	A1	—	7/8	1 3/4	2 5/8	1/4	19
5-5V850-E	8.50	8.40	3 1/2	E	A1	—	7/8	1 3/4	2 5/8	1/4	22
5-5V900-E	9.00	8.90	3 1/2	E	A1	—	7/8	1 3/4	2 5/8	1/4	26
5-5V925-E	9.25	9.15	3 1/2	E	A1	—	7/8	1 3/4	2 5/8	1/4	28
5-5V975-E	9.75	9.65	3 1/2	E	A1	—	7/8	1 3/4	2 5/8	1/4	30
5-5V1030-E	10.30	10.20	3 1/2	E	A1	—	7/8	1 3/4	2 5/8	1/4	33
5-5V1090-E	10.90	10.80	3 1/2	E	A1	—	7/8	1 3/4	2 5/8	1/4	41
5-5V1130-E	11.30	11.20	3 1/2	E	A1	—	7/8	1 3/4	2 5/8	1/4	42
5-5V1180-E	11.80	11.70	3 1/2	E	A1	—	7/8	1 3/4	2 5/8	1/4	44
5-5V1250-E	12.50	12.40	3 1/2	E	A3	6 1/4	7/8	1 3/4	2 5/8	1/4	45
5-5V1320-E	13.20	13.10	3 1/2	E	A3	6 1/4	7/8	1 3/4	2 5/8	1/4	46
5-5V1400-E	14.00	13.90	3 1/2	E	A3	6 1/4	7/8	1 3/4	2 5/8	1/4	47
5-5V1500-E	15.00	14.90	3 1/2	E	A3	6 1/4	7/8	1 3/4	2 5/8	1/4	53
5-5V1600-E	16.00	15.90	3 1/2	E	A3	6 1/4	7/8	1 3/4	2 5/8	1/4	56
5-5V1870-F	18.70	18.60	3 1/2	F	B3	7	5/16	1 15/16	3 5/8	3/16	96
5-5V2120-F	21.20	21.10	3 1/2	F	B3	7	5/16	1 15/16	3 5/8	3/16	98
5-5V2360-F	23.60	23.50	3 15/16	F	B3	7	5/16	1 15/16	3 5/8	3/16	120
5-5V2800-F	28.00	27.90	3 15/16	F	B3	7	5/16	1 15/16	3 5/8	3/16	135
5-5V3150-J	31.50	31.40	3 15/16	J	C3	7 3/4	3/16	1	4 1/2	9/16	188
5-5V3750-J	37.50	37.40	3 15/16	J	C3	7 3/4	3/16	1	4 1/2	9/16	224
5-5V5000-J	50.00	49.90	4 1/2	J	C3	7 3/4	3/16	1	4 1/2	9/16	308

3V-5V-8V

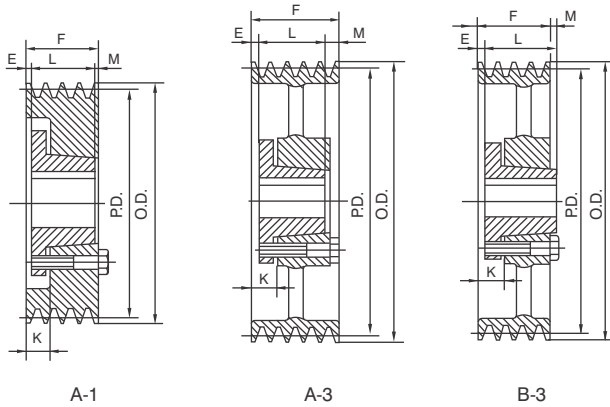


5V-6

F=4 7/16"(112.71mm)

Part No.	O.D.	P.D.	Bush Max Bore	Bush	Type	Db	E	K	L	M	Wgt. Less Bush
6-5V440-SD	4.40	4.30	2	SD	E1	3/2	3/4	-	113/16	5/8	7.0
6-5V465-SD	4.65	4.55	2	SD	E1	3/2	3/4	-	113/16	5/8	7.8
6-5V490-SD	4.90	4.80	2	SD	A1	—	11/16	1 5/16	113/16	115/16	9.0
6-5V520-SD	5.20	5.10	2	SD	A1	—	11/16	1 5/16	113/16	115/16	10.8
6-5V550-SD	5.50	5.40	2	SD	A1	—	11/16	1 5/16	113/16	115/16	11.3
6-5V590-SK	5.90	5.80	25/8	SK	A1	—	5/8	1 5/16	115/16	17/8	12.0
6-5V630-SK	6.30	6.20	25/8	SK	A1	—	5/8	1 5/16	115/16	17/8	13.0
6-5V670-SF	6.70	6.60	215/16	SF	A1	—	15/16	1 5/8	21/16	17/16	14.0
6-5V710-SF	7.10	7.00	215/16	SF	A1	—	15/16	1 5/8	21/16	17/16	15.0
6-5V750-SF	7.50	7.40	215/16	SF	A1	—	15/16	1 5/8	21/16	17/16	17.0
6-5V800-E	8.00	7.90	31/2	E	A1	—	11/8	2	25/8	11/16	20.0
6-5V850-E	8.50	8.40	31/2	E	A1	—	11/8	2	25/8	11/16	25.0
6-5V900-E	9.00	8.90	31/2	E	A1	—	11/8	2	25/8	11/16	28.0
6-5V925-E	9.25	9.15	31/2	E	A1	—	11/8	2	25/8	11/16	29.0
6-5V975-E	9.75	9.65	31/2	E	A1	—	11/8	2	25/8	11/16	31.0
6-5V1030-E	10.30	10.20	31/2	E	A1	—	11/8	2	25/8	11/16	33.0
6-5V1090-E	10.90	10.80	31/2	E	A1	—	11/8	2	25/8	11/16	38.0
6-5V1130-E	11.30	11.20	31/2	E	A1	—	11/8	2	25/8	11/16	41.0
6-5V1180-E	11.80	11.70	31/2	E	A1	—	11/8	2	25/8	11/16	43.0
6-5V1250-F	12.50	12.40	315/16	F	B3	7	11/16	21/16	35/8	1/4	45.0
6-5V1320-F	13.20	13.10	315/16	F	B3	7	11/16	21/16	35/8	1/4	48.0
6-5V1400-F	14.00	13.90	315/16	F	B3	7	11/16	21/16	35/8	1/4	59.0
6-5V1500-F	15.00	14.90	315/16	F	B3	7	11/16	21/16	35/8	1/4	64.0
6-5V1600-F	16.00	15.90	315/16	F	B3	7	11/16	21/16	35/8	1/4	68.0
6-5V1870-F	18.70	18.60	315/16	F	A3	7	5/16	15/16	35/8	1/2	84.0
6-5V2120-F	21.20	21.10	315/16	F	A3	7	5/16	15/16	35/8	1/2	110
6-5V2360-J	23.60	23.50	41/2	J	B3	73/4	1/8	15/16	41/2	3/16	148
6-5V2800-J	28.00	27.90	41/2	J	B3	73/4	1/8	15/16	41/2	3/16	169
6-5V3150-J	31.50	31.40	41/2	J	B3	73/4	1/8	15/16	41/2	3/16	206
6-5V3750-J	37.50	37.40	41/2	J	B3	73/4	1/8	15/16	41/2	3/16	241
6-5V5000-M	50.00	49.90	51/2	M	C3	91/2	1/8	1/2	63/4	13/8	388

FOR QTL TAPER BUSHING - SEE PAGE 10

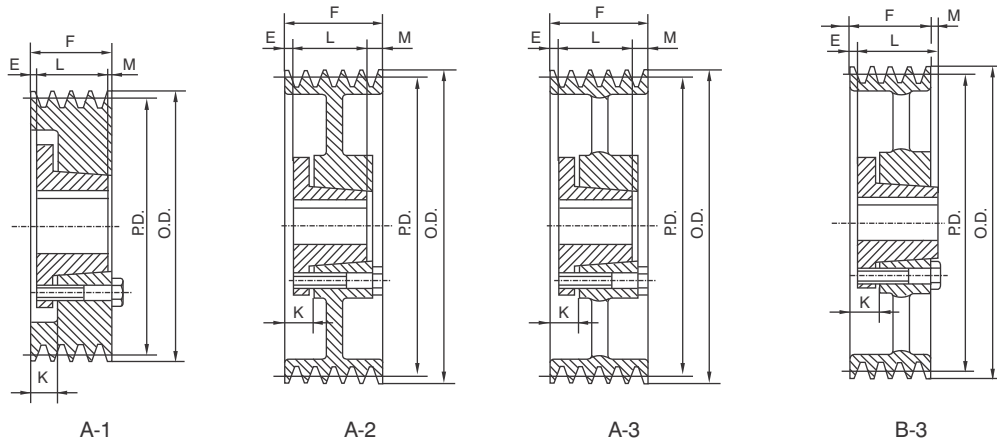


5V-8

F = 5 13/16" (147.64mm)

Part No.	O.D.	P.D.	Bush Max Bore	Bush	Type	Db	E	K	L	M	Wgt. Less Bush
8-5V710-SF	7.10	7.00	2 ¹⁵ / ₁₆	SF	A1	—	17/16	2 ¹ / ₈	2 ¹ / ₁₆	2 ⁵ / ₁₆	19
8-5V750-SF	7.50	7.40	2 ¹⁵ / ₁₆	SF	A1	—	17/16	2 ¹ / ₈	2 ¹ / ₁₆	2 ⁵ / ₁₆	20
8-5V800-E	8.00	7.90	3 ¹ / ₂	E	A1	—	15/8	2 ¹ / ₂	2 ⁵ / ₈	19/16	25
8-5V850-E	8.50	8.40	3 ¹ / ₂	E	A1	—	15/8	2 ¹ / ₂	2 ⁵ / ₈	19/16	29
8-5V900-E	9.00	8.90	3 ¹ / ₂	E	A1	—	15/8	2 ¹ / ₂	2 ⁵ / ₈	19/16	32
8-5V925-F	9.25	9.15	3 ¹ / ₂	F	A1	—	19/16	2 ⁹ / ₁₆	3 ⁵ / ₈	5/8	39
8-5V975-F	9.75	9.65	3 ¹⁵ / ₁₆	F	A1	—	19/16	2 ⁹ / ₁₆	3 ⁵ / ₈	5/8	42
8-5V1030-F	10.30	10.20	3 ¹⁵ / ₁₆	F	A1	—	19/16	2 ⁹ / ₁₆	3 ⁵ / ₈	5/8	52
8-5V1090-F	10.90	10.80	3 ¹⁵ / ₁₆	F	A1	—	19/16	2 ⁹ / ₁₆	3 ⁵ / ₈	5/8	59
8-5V1130-F	11.30	11.20	3 ¹⁵ / ₁₆	F	A1	—	19/16	2 ⁹ / ₁₆	3 ⁵ / ₈	5/8	62
8-5V1180-F	11.80	11.70	3 ¹⁵ / ₁₆	F	A1	—	19/16	2 ⁹ / ₁₆	3 ⁵ / ₈	5/8	64
8-5V1250-F	12.50	12.40	3 ¹⁵ / ₁₆	F	A3	7	19/16	2 ⁹ / ₁₆	3 ⁵ / ₈	5/8	66
8-5V1320-F	13.20	13.10	3 ¹⁵ / ₁₆	F	A3	7	19/16	2 ⁹ / ₁₆	3 ⁵ / ₈	5/8	68
8-5V1400-F	14.00	13.90	3 ¹⁵ / ₁₆	F	A3	7	19/16	2 ⁹ / ₁₆	3 ⁵ / ₈	5/8	70
8-5V1500-F	15.00	14.90	3 ¹⁵ / ₁₆	F	A3	7	19/16	2 ⁹ / ₁₆	3 ⁵ / ₈	5/8	73
8-5V1600-F	16.00	15.90	3 ¹⁵ / ₁₆	F	A3	7	19/16	19/16	3 ⁵ / ₈	5/8	89
8-5V1870-J	18.70	18.60	4 ¹ / ₂	J	A3	7 ³ / ₄	3/8	19/16	4 ¹ / ₂	15/16	132
8-5V2120-J	21.20	21.10	4 ¹ / ₂	J	A3	7 ³ / ₄	3/8	19/16	4 ¹ / ₂	15/16	150
8-5V2360-J	23.60	23.50	4 ¹ / ₂	J	A3	7 ³ / ₄	3/8	19/16	4 ¹ / ₂	15/16	162
8-5V2800-J	28.00	27.90	4 ¹ / ₂	J	A3	7 ³ / ₄	3/8	19/16	4 ¹ / ₂	15/16	191
8-5V3150-M	31.50	31.40	5 ¹ / ₂	M	B3	9 ¹ / ₂	1/2	1 ¹⁵ / ₁₆	6 ³ / ₄	17/16	298
8-5V3750-M	37.50	37.40	5 ¹ / ₂	M	B3	9 ¹ / ₂	1/2	1 ¹⁵ / ₁₆	6 ³ / ₄	17/16	319
8-5V5000-M	50.00	49.90	5 ¹ / ₂	M	B3	9 ¹ / ₂	1/2	1 ¹⁵ / ₁₆	6 ³ / ₄	17/16	497

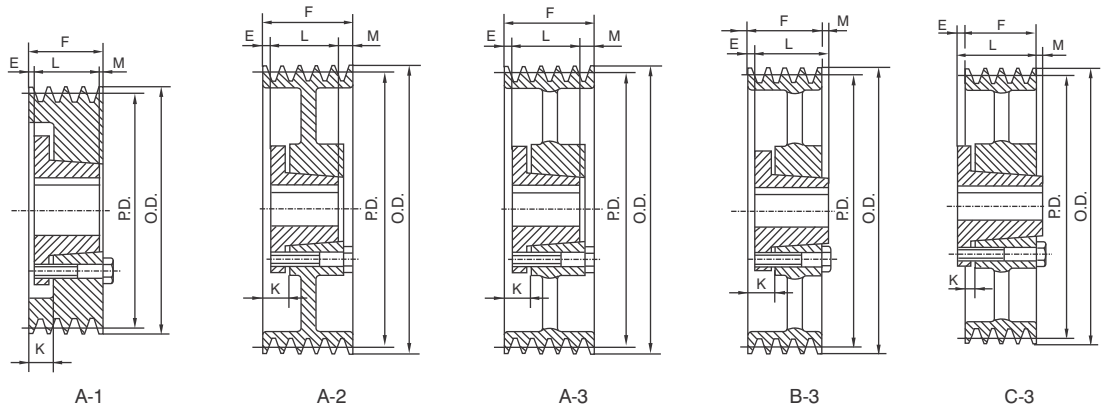
3V-5V-8V



5V-10

F = 7 3/16" (182.56mm)

Part No.	O.D.	P.D.	Bush Max Bore	Bush	Type	Db	E	K	L	M	Wgt. Less Bush
10-5V800-E	8.00	7.90	3 1/2	E	A1	—	23/8	3 1/4	2 5/8	2 3/16	27
10-5V850-E	8.50	8.40	3 1/2	E	A1	—	23/8	3 1/4	2 5/8	2 3/16	32
10-5V900-F	9.00	8.90	3 15/16	F	A1	—	25/16	3 5/16	3 5/8	1 1/4	41
10-5V925-F	9.25	9.15	3 15/16	F	A1	—	25/16	3 5/16	3 5/8	1 1/4	47
10-5V975-F	9.75	9.65	3 15/16	F	A1	—	25/16	3 5/16	3 5/8	1 1/4	58
10-5V1030-F	10.30	10.20	3 15/16	F	A1	—	25/16	3 5/16	3 5/8	1 1/4	66
10-5V1090-F	10.90	10.80	3 15/16	F	A1	—	25/16	3 5/16	3 5/8	1 1/4	75
10-5V1130-F	11.30	11.20	3 15/16	F	A1	—	25/16	3 5/16	3 5/8	1 1/4	79
10-5V1180-F	11.80	11.70	3 15/16	F	A1	—	25/16	3 5/16	3 5/8	1 1/4	80
10-5V1250-J	12.50	12.40	4 1/2	J	A1	—	23/8	3 9/16	4 1/2	5/16	82
10-5V1320-J	13.20	13.10	4 1/2	J	A1	—	23/8	3 9/16	4 1/2	5/16	85
10-5V1400-J	14.00	13.90	4 1/2	J	A2	7 3/4	23/8	3 9/16	4 1/2	5/16	90
10-5V1500-J	15.00	14.90	4 1/2	J	A2	7 3/4	23/8	3 9/16	4 1/2	5/16	92
10-5V1600-J	16.00	15.90	4 1/2	J	A2	—	23/8	3 9/16	4 1/2	5/16	102
10-5V1870-J	18.70	18.60	4 1/2	J	A3	7 3/4	3/8	1 9/16	4 1/2	2 3/16	150
10-5V2120-J	21.20	21.10	4 1/2	J	A3	7 3/4	3/8	1 9/16	4 1/2	2 3/16	164
10-5V2360-M	23.60	23.50	4 1/2	M	B3	9 1/2	1/2	1 15/16	6 3/4	1/16	258
10-5V2800-M	28.00	27.90	5 1/2	M	B3	9 1/2	1/2	1 15/16	6 3/4	1/16	278
10-5V3150-M	31.50	31.40	5 1/2	M	B3	9 1/2	1/2	1 15/16	6 3/4	1/16	318
10-5V3750-M	37.50	37.40	5 1/2	M	B3	9 1/2	1/2	1 15/16	6 3/4	1/16	340
10-5V5000-M	50.00	49.90	5 1/2	M	B3	9 1/2	1/2	1 15/16	6 3/4	1/16	538



8V-4

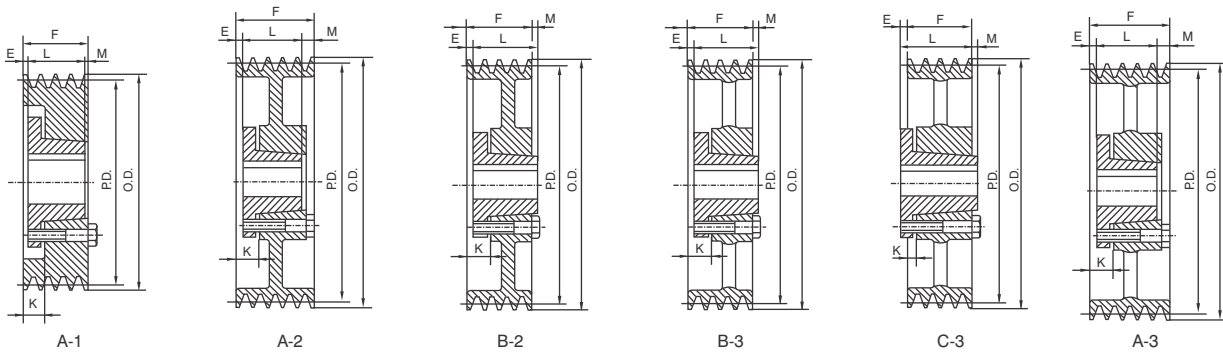
F = 4 7/8" (123.83mm)

Part No.	O.D.	P.D.	Bush Max Bore	Bush	Type	Db	E	K	L	M	Wgt. Less Bush
4-8V1250-F	12.50	12.30	315/16	F	A1	—	3/16	13/16	35/8	11/16	63
4-8V1320-F	13.20	13.00	315/16	F	A2	7	3/16	13/16	35/8	11/16	66
4-8V1400-F	14.00	13.80	315/16	F	A2	7	3/16	13/16	35/8	11/16	70
4-8V1500-F	15.00	14.80	315/16	F	A2	7	3/16	13/16	35/8	11/16	74
4-8V1600-F	16.00	15.80	315/16	F	A2	7	3/16	13/16	35/8	11/16	82
4-8V1700-F	17.00	16.80	315/16	F	A3	7	3/16	13/16	35/8	11/16	94
4-8V1800-F	18.00	17.80	315/16	F	A3	7	3/16	13/16	35/8	11/16	99
4-8V1900-F	19.00	18.80	315/16	F	A3	7	3/16	13/16	35/8	11/16	105
4-8V2000-J	20.00	19.80	41/2	J	A3	73/4	1/4	17/16	41/2	1/8	141
4-8V2120-J	21.20	21.00	41/2	J	A3	73/4	1/4	17/16	41/2	1/8	150
4-8V2240-J	22.40	22.20	41/2	J	A3	73/4	1/4	17/16	41/2	1/8	177
4-8V2480-M	24.80	24.60	51/2	M	C3	91/2	5/8	13/16	63/4	11/4	223
4-8V3000-M	30.00	29.80	51/2	M	C3	91/2	5/8	13/16	63/4	11/4	285
4-8V3550-M	35.50	35.30	51/2	M	C3	91/2	5/8	13/16	63/4	11/4	305
4-8V4000-M	40.00	39.80	51/2	M	C3	91/2	5/8	13/16	63/4	11/4	355
4-8V4450-M	44.50	44.30	51/2	M	C3	91/2	5/8	13/16	63/4	11/4	369
4-8V5300-M	53.00	52.80	51/2	M	C3	91/2	3/8	13/16	63/4	11/4	478

8V-5

F = 6" (152.40mm)

Part No.	O.D.	P.D.	Bush Max Bore	Bush	Type	Db	E	K	L	M	Wgt. Less Bush
5-8V1250-F	12.50	12.30	315/16	F	A1	—	15/16	25/16	35/8	11/16	68
5-8V1320-F	13.20	13.00	315/16	F	A2	7	15/16	25/16	35/8	11/16	75
5-8V1400-F	14.00	13.80	315/16	F	A2	7	15/16	25/16	35/8	11/16	78
5-8V1500-F	15.00	14.80	315/16	F	A2	7	15/16	25/16	35/8	11/16	94
5-8V1600-F	16.00	15.80	315/16	F	A2	7	15/16	25/16	35/8	11/16	101
5-8V1700-J	17.00	16.80	41/2	J	A3	73/4	13/16	2	41/2	11/16	111
5-8V1800-J	18.00	17.80	41/2	J	A3	73/4	13/16	2	41/2	11/16	130
5-8V1900-J	19.00	18.80	41/2	J	A3	73/4	13/16	2	41/2	11/16	135
5-8V2000-J	20.00	19.80	41/2	J	A3	73/4	13/16	2	41/2	11/16	152
5-8V2120-J	21.20	21.00	41/2	J	A3	73/4	13/16	2	41/2	11/16	183
5-8V2240-M	22.40	22.20	51/2	M	B3	91/2	1/2	115/16	63/4	11/4	223
5-8V2480-M	24.80	24.60	51/2	M	B3	91/2	1/2	115/16	63/4	11/4	254
5-8V3000-M	30.00	29.80	51/2	M	B3	91/2	1/2	115/16	63/4	11/4	294
5-8V3550-M	35.50	35.30	51/2	M	B3	91/2	1/2	115/16	63/4	11/4	325
5-8V4000-M	40.00	39.80	51/2	M	B3	91/2	1/2	115/16	63/4	11/4	430
5-8V4450-N	44.50	44.30	6	N	C3	101/2	13/16	15/16	81/8	15/16	485
5-8V5300-N	53.00	52.80	6	N	C3	101/2	13/16	15/16	81/8	15/16	672



8V-6

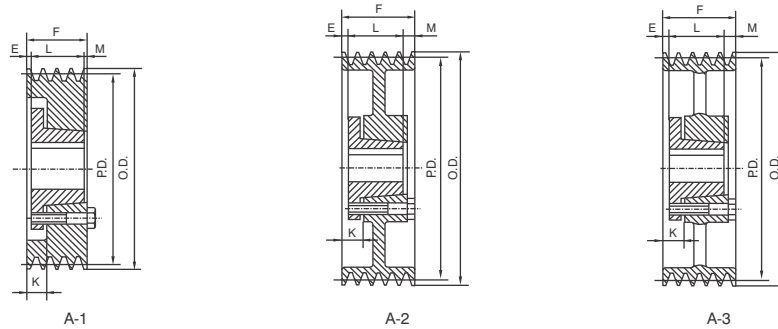
F=7 1/8" (180.98mm)

Part No.	O.D.	P.D.	Bush Max Bore	Bush	Type	Db	E	K	L	M	Wgt. Less Bush
6-8V1250-F	12.50	12.30	3 ¹⁵ / ₁₆	F	A1	—	15 ¹ / ₁₆	2 ⁵ / ₁₆	3 ⁵ / ₈	2 ³ / ₁₆	86
6-8V1320-F	13.20	13.00	3 ¹⁵ / ₁₆	F	A1	—	15 ¹ / ₁₆	2 ⁵ / ₁₆	3 ⁵ / ₈	2 ³ / ₁₆	94
6-8V1400-F	14.00	13.80	3 ¹⁵ / ₁₆	F	A1	—	15 ¹ / ₁₆	2 ⁵ / ₁₆	3 ⁵ / ₈	2 ³ / ₁₆	108
6-8V1500-J	15.00	14.80	4 ¹ / ₂	J	A1	—	13 ³ / ₈	2 ⁹ / ₁₆	4 ¹ / ₂	1 ¹ / ₄	138
6-8V1600-J	16.00	15.80	4 ¹ / ₂	J	A1	—	13 ³ / ₈	2 ⁹ / ₁₆	4 ¹ / ₂	1 ¹ / ₄	142
6-8V1700-J	17.00	16.80	4 ¹ / ₂	J	A2	7 ³ / ₄	13 ³ / ₈	2 ⁹ / ₁₆	4 ¹ / ₂	1 ¹ / ₄	144
6-8V1800-J	18.00	17.80	4 ¹ / ₂	J	A2	7 ³ / ₄	13 ³ / ₈	2 ⁹ / ₁₆	4 ¹ / ₂	1 ¹ / ₄	160
6-8V1900-J	19.00	18.80	4 ¹ / ₂	J	A2	7 ³ / ₄	13 ³ / ₈	2 ⁹ / ₁₆	4 ¹ / ₂	1 ¹ / ₄	172
6-8V2000-M	20.00	19.80	5 ¹ / ₂	M	B2	9 ¹ / ₂	1 ¹ / ₂	2 ¹⁵ / ₁₆	6 ³ / ₄	1 ¹ / ₈	204
6-8V2120-M	21.20	21.00	5 ¹ / ₂	M	B2	9 ¹ / ₂	1 ¹ / ₂	2 ¹⁵ / ₁₆	6 ³ / ₄	1 ¹ / ₈	226
6-8V2240-M	22.40	22.20	5 ¹ / ₂	M	B3	9 ¹ / ₂	1 ¹ / ₂	2 ¹⁵ / ₁₆	6 ³ / ₄	1 ¹ / ₈	235
6-8V2480-M	24.80	24.60	5 ¹ / ₂	M	B3	9 ¹ / ₂	1 ² / ₂	1 ¹⁵ / ₁₆	6 ³ / ₄	1 ¹ / ₈	246
6-8V3000-M	30.00	29.80	5 ¹ / ₂	M	B3	9 ¹ / ₂	1 ² / ₂	1 ¹⁵ / ₁₆	6 ³ / ₄	1 ¹ / ₈	306
6-8V3550-N	35.50	35.30	6	N	C3	10 ¹ / ₂	5 ⁸ / ₈	1 ¹ / ₈	8 ¹ / ₈	3 ⁸ / ₈	466
6-8V4000-N	40.00	39.80	6	N	C3	10 ¹ / ₂	5 ⁸ / ₈	1 ¹ / ₈	8 ¹ / ₈	3 ⁸ / ₈	548
6-8V4450-N	44.50	44.30	6	N	C3	10 ¹ / ₂	5 ⁸ / ₈	1 ¹ / ₈	8 ¹ / ₈	3 ⁸ / ₈	590
6-8V5300-N	53.00	52.80	6	N	C3	10 ¹ / ₂	5 ⁸ / ₈	1 ¹ / ₈	8 ¹ / ₈	3 ⁸ / ₈	658
6-8V6300-P	63.00	62.80	6 ³ / ₄	P	C3	12 ¹ / ₄	—	2	9 ³ / ₈	1 ⁷ / ₈	860
6-8V7100-P	71.00	70.80	6 ³ / ₄	P	C3	12 ¹ / ₄	5 ⁸ / ₈	2 ⁵ / ₈	9 ³ / ₈	2 ¹ / ₂	1272

8V-8

F=9 3/8" (238.13mm)

Part No.	O.D.	P.D.	Bush Max Bore	Bush	Type	Db	E	K	L	M	Wgt. Less Bush
8-8V1250-J	12.50	12.30	4 ¹ / ₂	J	A1	—	2 ³ / ₈	3 ⁹ / ₁₆	4 ¹ / ₂	2 ¹ / ₂	108
8-8V1320-J	13.20	13.00	4 ¹ / ₂	J	A1	—	2 ³ / ₈	3 ⁹ / ₁₆	4 ¹ / ₂	2 ¹ / ₂	118
8-8V1400-J	14.00	13.80	4 ¹ / ₂	J	A1	—	2 ³ / ₈	3 ⁹ / ₁₆	4 ¹ / ₂	2 ¹ / ₂	131
8-8V1500-J	15.00	14.80	4 ¹ / ₂	J	A1	—	2 ³ / ₈	3 ⁹ / ₁₆	4 ¹ / ₂	2 ¹ / ₂	151
8-8V1600-J	16.00	15.80	4 ¹ / ₂	J	A1	—	2 ³ / ₈	3 ⁹ / ₁₆	4 ¹ / ₂	2 ¹ / ₂	155
8-8V1700-M	17.00	16.80	5 ¹ / ₂	M	A2	9 ¹ / ₂	2 ¹ / ₂	3 ¹⁵ / ₁₆	6 ³ / ₄	1 ⁸ / ₈	188
8-8V1800-M	18.00	17.80	5 ¹ / ₂	M	A2	9 ¹ / ₂	2 ¹ / ₂	3 ¹⁵ / ₁₆	6 ³ / ₄	1 ⁸ / ₈	202
8-8V1900-M	19.00	18.80	5 ¹ / ₂	M	A2	9 ¹ / ₂	2 ¹ / ₂	3 ¹⁵ / ₁₆	6 ³ / ₄	1 ⁸ / ₈	221
8-8V2000-M	20.00	19.80	5 ¹ / ₂	M	A2	9 ¹ / ₂	2 ¹ / ₂	3 ¹⁵ / ₁₆	6 ³ / ₄	1 ⁸ / ₈	236
8-8V2120-M	21.20	21.00	5 ¹ / ₂	M	A2	9 ¹ / ₂	2 ¹ / ₂	3 ¹⁵ / ₁₆	6 ³ / ₄	1 ⁸ / ₈	267
8-8V2240-M	22.40	22.20	5 ¹ / ₂	M	A3	9 ¹ / ₂	2 ¹ / ₂	3 ¹⁵ / ₁₆	6 ³ / ₄	1 ⁸ / ₈	284
8-8V2480-N	24.80	24.60	6	N	A3	10 ¹ / ₂	1 ² / ₂	2 ¹ / ₄	8 ¹ / ₈	3 ⁴ / ₄	418
8-8V3000-N	30.00	29.80	6	N	A3	10 ¹ / ₂	1 ² / ₂	2 ¹ / ₄	8 ¹ / ₈	3 ⁴ / ₄	447
8-8V3550-N	35.50	35.30	6	N	A3	10 ¹ / ₂	1 ² / ₂	2 ¹ / ₄	8 ¹ / ₈	3 ⁴ / ₄	553
8-8V4000-N	40.00	39.80	6	N	A3	10 ¹ / ₂	1 ² / ₂	2 ¹ / ₄	8 ¹ / ₈	3 ⁴ / ₄	648
8-8V4450-P	44.50	44.30	6 ³ / ₄	P	B3	12 ¹ / ₄	5 ⁸ / ₈	2 ⁵ / ₈	9 ³ / ₈	5 ⁸ / ₈	679
8-8V5300-P	53.00	52.80	6 ³ / ₄	P	B3	12 ¹ / ₄	5 ⁸ / ₈	2 ⁵ / ₈	9 ³ / ₈	5 ⁸ / ₈	946
8-8V6300-P	63.00	62.80	6 ³ / ₄	P	B3	12 ¹ / ₄	5 ⁸ / ₈	2 ⁵ / ₈	9 ³ / ₈	5 ⁸ / ₈	1372
8-8V7100-W	71.00	70.80	8 ¹ / ₂	W	C3	16	7 ⁸ / ₈	1 ³ / ₈	11 ³ / ₈	3 ⁴ / ₄	1680



8V-10

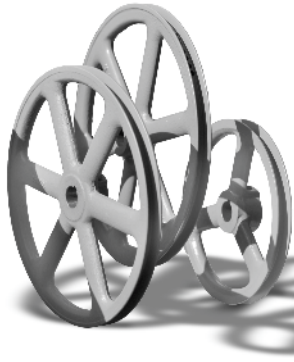
F = 11 5/8" (295.28mm)

Part No.	O.D.	P.D.	Bush Max Bore	Bush	Type	Db	E	K	L	M	Wgt. Less Bush
10-8V1250-J	12.50	12.30	4 1/2	J	A1	—	2 3/8	3 9/16	4 1/2	4 3/4	122
10-8V1320-J	13.20	13.00	4 1/2	J	A1	—	2 3/8	3 9/16	4 1/2	4 3/4	140
10-8V1400-J	14.00	13.80	4 1/2	J	A1	—	2 3/8	3 9/16	4 1/2	4 3/4	152
10-8V1500-M	15.00	14.80	5 1/2	M	A1	—	2 1/2	3 15/16	6 3/4	2 3/8	212
10-8V1600-M	16.00	15.80	5 1/2	M	A1	—	2 1/2	3 15/16	6 3/4	2 3/8	219
10-8V1700-M	17.00	16.80	5 1/2	M	A2	9 1/2	2 1/2	3 15/16	6 3/4	2 3/8	228
10-8V1800-M	18.00	17.80	5 1/2	M	A2	9 1/2	2 1/2	3 15/16	6 3/4	2 3/8	236
10-8V1900-M	19.00	18.80	5 1/2	M	A2	9 1/2	2 1/2	3 15/16	6 3/4	2 3/8	260
10-8V2000-M	20.00	19.80	5 1/2	M	A2	9 1/2	2 1/2	3 15/16	6 3/4	2 3/8	280
10-8V2120-M	21.20	21.00	5 1/2	M	A2	9 1/2	2 1/2	3 15/16	6 3/4	2 3/8	298
10-8V2240-N	22.40	22.20	6	N	A2	10 1/2	1/2	2 1/4	8 1/8	3	366
10-8V2480-N	24.80	24.60	6	N	A2	10 1/2	1/2	2 1/4	8 1/8	3	454
10-8V3000-N	30.00	29.80	6	N	A3	10 1/2	1/2	2 1/4	8 1/8	3	468
10-8V3550-P	35.50	35.30	6 3/4	P	A3	12 1/4	5/8	2 5/8	9 3/8	1 5/8	784
10-8V4000-P	40.00	39.80	6 3/4	P	A3	12 1/4	5/8	2 5/8	9 3/8	1 5/8	826
10-8V4450-P	44.50	44.30	6 3/4	P	A3	12 1/4	5/8	2 5/8	9 3/8	1 5/8	996
10-8V5300-P	53.00	52.80	6 3/4	P	A3	12 1/4	5/8	2 5/8	9 3/8	1 1/4	1010
10-8V6300-W	63.00	62.80	8 1/2	W	A3	16	5/8	2 7/8	11 3/8	—	1443
10-8V7100-W	71.00	70.80	8 1/2	W	A3	16	5/8	2 7/8	11 3/8	—	1842

8V-12

F = 14" (355.60mm)

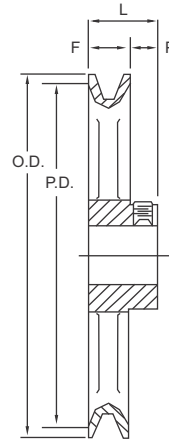
Part No.	O.D.	P.D.	Bush Max Bore	Bush	Type	Db	E	K	L	M	Wgt. Less Bush
12-8V1250-M	12.50	12.30	5 1/2	M	A1	—	2 1/2	3 15/16	6 3/4	4 5/8	161
12-8V1320-M	13.20	13.00	5 1/2	M	A1	—	2 1/2	3 15/16	6 3/4	4 5/8	185
12-8V1400-M	14.00	13.80	5 1/2	M	A1	—	2 1/2	3 15/16	6 3/4	4 5/8	211
12-8V1500-M	15.00	14.80	5 1/2	M	A1	—	2 1/2	3 15/16	6 3/4	4 5/8	234
12-8V1600-M	16.00	15.80	5 1/2	M	A1	—	2 1/2	3 15/16	6 3/4	4 5/8	285
12-8V1700-M	17.00	16.80	5 1/2	M	A1	—	2 1/2	3 15/16	6 3/4	4 5/8	324
12-8V1800-M	18.00	17.80	5 1/2	M	A2	—	2 1/2	3 15/16	6 3/4	4 5/8	330
12-8V1900-N	19.00	18.80	6	N	A2	10 1/2	1/2	2 1/4	8 1/8	5 1/4	338
12-8V2000-N	20.00	19.80	6	N	A2	10 1/2	1/2	2 1/4	8 1/8	5 1/4	365
12-8V2120-N	21.20	21.00	6	N	A2	10 1/2	1/2	2 1/4	8 1/8	5 1/4	387
12-8V2240-N	22.40	22.20	6	N	A2	10 1/2	1/2	2 1/4	8 1/8	5 1/4	399
12-8V2480-N	24.80	24.60	6	N	A2	10 1/2	1/2	2 1/4	8 1/8	5 1/4	454
12-8V3000-P	30.00	29.80	6 3/4	P	A3	12 1/2	5/8	2 5/8	9 3/8	3 7/8	605
12-8V3550-P	35.50	35.30	6 3/4	P	A3	12 1/4	5/8	2 5/8	9 3/8	3 7/8	706
12-8V4000-P	40.00	39.80	6 3/4	P	A3	12 1/4	5/8	2 5/8	9 3/8	3 7/8	766
12-8V4450-P	44.50	44.30	6 3/4	P	A3	12 1/4	5/8	2 5/8	9 3/8	3 7/8	910
12-8V5300-W	53.00	52.80	8 1/2	W	A3	16	5/8	2 7/8	11 3/8	2 1/4	1333
12-8V6300-W	63.00	62.80	8 1/2	W	A3	16	5/8	2 7/8	11 3/8	2 1/4	1777
12-8V7100-W	71.00	70.80	8 1/2	W	A3	16	5/8	2 7/8	11 3/8	2 1/4	2002



AL • FIXED BORE A & 4L V-BELT SERIES

AL pulleys Designed for light duty applications such as HVAC/R, Fans, Air Conditioning and Furnace Blowers.

AL Sheaves come standard with set screw and standard keyseat.



AL • FIXED BORE

Part No.	O.D.	Pitch	F	L	P	Bore	Avg. Wgt.
AL54	4.93	4.78	.593	1.062	.468	5/8, 3/4, 1	1.2
AL64	5.93	5.78	.593	1.062	.468	5/8, 3/4, 1	1.4
AL74	6.93	6.78	.593	1.062	.468	5/8, 3/4, 1	1.7
AL84	7.93	7.78	.593	1.062	.468	5/8, 3/4, 1	1.9
AL94	8.93	8.78	.593	1.062	.468	3/4, 1	2.6
AL104	9.93	9.78	.593	1.062	.468	3/4, 1	3.0
AL114	10.93	10.78	.593	1.062	.468	3/4, 1	3.5
AL124	11.93	11.78	.593	1.062	.468	3/4, 1	4.0
AM144	14.16	14.00	.687	1.750	.406	1	5.2

Do not use "A" gripnotch belts with AL sheaves

HOW TO ORDER

AL 104 X 5/8

— Bore Dia.
 — Outside Diameter (10" approx)
 — Sheave Cross Section

STANDARD KEYSEATS

Bore Range	Keyseat
5/8" - 7/8"	3/16" x 3/32"
15/16" - 1 1/4"	1/4" x 1/8"

TERMS AND CONDITIONS OF SALES QUOTATIONS ARE MADE AND ORDERS ARE ACCEPTED BY SELLER ONLY TO THESE TERMS AND CONDITIONS. THE SELLER FOR THESE TERMS AND CONDITIONS APPLY TO BOTH LEESON ELECTRIC AND LINCOLN MOTORS PRODUCTS::

1. AGREEMENT AND MODIFICATION OF SALES TERMS.

The agreement between Seller and Buyer ("Sales Contract") is with respect to the sale of goods described on the other side hereof (the "Goods"). Any Terms and Conditions contained in any purchase order or other form of communication from Seller's customers, which are additional to or different from these Terms and Conditions, shall be deemed rejected by Seller unless expressly accepted in writing by Seller.

2. ACCEPTANCE OF ORDERS.

Acceptance by Seller of Buyer's purchase order(s) is expressly conditioned upon Buyer's assent to these Terms and Conditions. Buyer will be deemed to have assented to such Terms and Conditions unless Seller receives written notice of any objections within 10 days after Buyer's receipt of this form or in all events prior to any delivery or other performance by Seller of Buyer's order.

3. QUOTATIONS.

Quotations by Seller shall be deemed to be offers by Seller to sell the Goods described therein subject to these Terms and Conditions, and acceptance of such offers is expressly limited to acceptance by Buyer of all of these Terms and Conditions within 30 days from the date of the quotation or as specified. Purchase orders submitted by Buyer for the Goods quoted by Seller shall be subject to and will be deemed to constitute acceptance of these Terms and Conditions. All purchase orders will be subject to approval by Seller.

4. TERMINATION OR MODIFICATION.

The Sales Contract may be modified or terminated only upon Seller's express written consent, which consent will at all times be conditioned on Buyer's agreement to pay Seller's modification or termination charges including, but not limited to expenses and costs plus a reasonable profit, except that any Goods completed on or before Seller's acceptance of termination shall be accepted and paid in full by Buyer.

5. PRICES AND TERMS.

Fulfillment of Buyer's order is contingent upon the availability of materials. The price of the Goods sold pursuant to the Sales Contract shall be based upon Seller's prices in effect at the time of shipment and any acceptance of the order will be on the basis of the freight rates in effect at the time of shipment. In the event of an increase or decrease in the applicable freight charges before the material is shipped, such changes in freight charges will be for the account of Buyer. Price advances, discounts, extras and terms and conditions are subject to changes without notice. Unless otherwise provided on the front side hereof, price is F.O.B. Seller's point of shipment, and terms of payment shall be net 30 days from date of invoice. Seller may assess finance and service charges of 1-1/2 percent per month (or the highest rate allowed by state law) on invoices not paid within stated payment terms. Open account credit status is offered at the discretion of the Seller. Seller may discontinue open account status or change credit limit as warranted, in its opinion, by the financial condition and/or credit history of the Buyer. Seller may require full or partial payment or payment guarantees in advance of shipment whenever, in its opinion, the financial condition and/or credit history of Buyer so warrants. In addition, Seller may, at any time, suspend performance of any order or require payment in cash, security or other adequate assurance satisfactory to Seller when, in Seller's opinion, the financial condition and/or credit history of Buyer warrants such action.

6. TAXES.

Prices do not include sales, use or other similar federal, state or local taxes. Buyer shall either have a tax-exemption certificate on file with the Seller or pay to Seller, in addition to the price of the Goods, any and all applicable taxes, which may be invoiced separately at a later date.

7. DESIGN; EXTRA WORK; BUYER'S MATERIAL.

(a) If any order accepted by Seller contemplates the preparation of special designs by Seller, Buyer issuing such order will have a responsible representative specifically approve all designs prepared by Seller. (b) If Buyer requests extra work not included in the quotation or original order, Buyer will pay for the extra work at reasonable rates as determined by Seller. (c) In the event spoilage/damage occurs on orders where Buyer furnishes any material, Seller shall not be liable for replacement of or damage to such material.

8. RISK OF LOSS, SECURITY INTEREST.

Delivery shall occur, and risk of loss shall pass to Buyer, upon delivery of the Goods to a carrier at the F.O.B. point of shipment. Transportation shall be at Buyer's sole risk and expense, and any claims for losses or damage in transit shall be against the carrier only. Buyer agrees to perform all acts necessary to provide a fully perfected security interest in the Goods in favor of Seller. Seller may, at its option, repossess the same, upon Buyer's default in payment hereunder, and charge Buyer with any deficiency.

9. DELIVERIES AND QUANTITIES.

(a) Delivery dates are not guaranteed but are estimated on the basis of immediate receipt by Seller of all information to be furnished by Buyer and the absence of delay, direct or indirect, resulting from or contributed to by circumstances beyond Seller's reasonable control. If the Goods are non-catalog Goods, Seller may ship overages or underages to the extent of 10 percent of quantity ordered, and Buyer shall pay for such quantity based upon the unit price of the Goods. Seller shall not

be required to maintain closer control of quantity, unless specifically agreed to by Seller in writing. Quantities of all Goods may be determined by weight. Any claims for shortage must be within 10 days from the date of receipt of the Goods by Buyer, and in every case the weights found in any particular shipment, including tare, must be given and Seller advised as to the method used by Buyer in computing the count of Goods. (b) In the event that Buyer is unable to accept delivery of the Goods at time of shipment, Seller shall invoice Buyer for the full purchase price as if shipment had been made and: (i) if Seller is able to store such Goods in its own facilities, Buyer will pay Seller the reasonable handling and storage charges for the period of such storage, and (ii) if Seller is unable to store such Goods at its own facility, Seller reserves the right to arrange handling and storage in a suitable bonded warehouse for the Buyer at Buyer's expense. In cases where handling and storage become necessary, it shall be Buyer's responsibility to notify Seller when shipment is to be made. Seller will make necessary arrangements for shipment at Buyer's expense. Freight and handling charges by Seller may not reflect actual freight charges prepaid to the carrier by Seller due to incentive discounts earned by Seller based upon Seller's aggregate volume of freight tendered to a carrier or when a carrier must be used which charges a rate which is different than the rate upon which the Seller's freight and handling charges were based. When shipments are delivered in Seller's private trucks, Buyer will be charged an amount approximating the prevailing common carrier rate.

10. RETURNED GOODS.

Goods may not be returned. However, if Seller consents in writing or upon verbal authorization to the return of Goods for any reason, Buyer, who also shall assume all risk of loss of such returned Goods until actual receipt by Seller, must prepay transportation charges.

11. INSPECTION, ACCEPTANCE.

Buyer shall inspect the Goods immediately upon the receipt thereof. All claims by Buyer (including claims for shortages), except only those provided for under the WARRANTY AND LIMITATIONS OF LIABILITY and PATENTS clauses below, must be asserted in writing by Buyer within a 10-day period or they are waived. If this contract involves partial performances, all such claims must be asserted within a 10-day period for each partial performance. Rejection may be only for defects substantially impairing the value of the Goods. Buyer's remedy for lesser defects shall be those provided for under the Warranty and Limitations of Liability clauses. THERE SHALL BE NO REVOCATION OF ACCEPTANCE. If Buyer wrongfully rejects, revokes or delays acceptance of items or work tendered under this contract, or fails to make a payment due on or before delivery, or repudiates this contract, Seller shall, at its option, have the right to recover as damages, either the price as stated herein (upon recovery of the price, the Goods involved shall become the property of the Buyer) or the profit (including reasonable overhead) which the Seller would make from performance together with incidental damages and reasonable costs.

12. WARRANTIES, LIMITATIONS OF LIABILITY AND DISCLAIMER.

(a) Seller warrants to the Buyer that its motors, gear reducers, gearmotors, gearboxes, DC controllers, and AC drives are free from defects in workmanship and materials when operated under normal conditions and in accordance with nameplate characteristic limits. This warranty shall be in effect for a period of 12 months from date of installation, but in no event be in effect for more than 18 months from date of manufacture, with the following exceptions: i) EPACT motors ("G" prefix), which are warranted for a period of 24 months from date of installation but for not more than 30 months from date of manufacture, ii) Wattsaver Premium Efficiency three phase motors and Speedmaster Inverter-Duty motors are warranted for a period of 36 months from the date of installation but for not more than 42 months from the date of manufacture, & iii) Motor brakes provided as coupler brakes, brake kits, or as part of brakemotors are covered by the manufacturers' (Stearns or Dings) warranties. Certain Goods are warranted for different periods of time under specific conditions. Buyer must consult the current product catalog or internet site to confirm this warranty period.

(b) Seller's sole obligation under the foregoing warranties is limited to either, at Seller's option, replacing or repairing defective Goods (or defective parts thereof) within the warranty period. Seller shall not be liable under any circumstances, for consequential or incidental damages, including, but not limited to personal injury or labor costs. This warranty does not cover the cost of removal, installation, or re-testing of the new or repaired Goods or parts, or any other direct or incidental expenses incurred in shipping the Goods to or from Seller. Replacement Goods or parts are warranted for the remainder of the warranty period applicable to the Goods originally supplied by Seller. All claims for allegedly defective Goods must be made within 10 days after Buyer learns of such alleged defects. All claims not made in writing and received by Seller within such 10-day period shall be deemed waived. With prior approval from Seller, Buyer shall return a sample of the alleged defective part, freight prepaid, for Seller's inspection, and no other Goods shall be returned to Seller's District Office/Warehouse, nearest factory, or Authorized Service Center without Seller's written consent. This warranty shall not extend to Goods subjected to misuse, abuse, neglect, accident or improper installation or maintenance, incorrect lubrication, incorrect electrical connection, improper power supply, or Goods which have been altered or repaired by anyone other than Seller or its authorized representative.

(c) Under no circumstances will Seller be responsible for any expense in connection with any repairs made by anyone other than Seller or an Authorized Service Center, unless such repairs have been specifically authorized in writing by the Seller Service and Warranty Department.

(d) In the case of motors, drives, gears and reducers manufactured or marketed by Seller, Seller warrants only that such Goods, when shipped, shall be capable of delivering the service rating as indicated in Seller's written documents, including quotations and catalogs or as noted on such Goods, providing such Goods are properly installed, connected, and maintained, correctly lubricated, operating under normal conditions with competent supervision, and within the load limits and voltage range for which it was sold, and provided further that the equipment is free from critical speed, torsional or other type vibration, no matter how induced.

(e) If any prototype or sample was provided to the Buyer, it was used merely to illustrate the general type and quality of Goods and not to warrant that Goods shipped would be of that type or quality.

(f) UNLESS AUTHORIZED IN WRITING BY A CORPORATE OFFICER OR VICE PRESIDENT, NO AGENT, EMPLOYEE OR REPRESENTATIVE OF SELLER HAS ANY AUTHORITY TO BIND SELLER TO ANY AFFIRMATION, REPRESENTATION OR WARRANTY CONCERNING THE GOODS SOLD UNDER THE SALES CONTRACT AND ANY SUCH AFFIRMATION, REPRESENTATION OR WARRANTY HAS NOT FORMED A PART OF THE BASIS OF THE BARGAIN AND SHALL BE UNENFORCEABLE.

(g) THE FOREGOING WARRANTIES ARE EXCLUSIVE AND IN LIEU OF ALL OTHER WARRANTIES OF MERCHANTABILITY, FITNESS FOR A PARTICULAR PURPOSE AND/OR ANY OTHER TYPE, WHETHER EXPRESS OR IMPLIED.

(h) Products not manufactured and work not performed by Seller are warranted only to the extent and in the manner that the same are warranted to Seller by Seller's vendors, and then only to the extent that Seller is reasonably able to enforce such warranty. In enforcing such warranty, it is understood Seller shall have no obligation to initiate litigation unless Buyer undertakes to pay all costs and expenses therefor, including but not limited to reasonable attorney's fees, and indemnifies Seller against any liability to Seller's vendors arising out of such litigation.

(i) THE FOREGOING IS SELLER'S ONLY OBLIGATION AND BUYER'S EXCLUSIVE REMEDY FOR BREACH OF WARRANTY. BUYER'S FAILURE TO SUBMIT A CLAIM AS PROVIDED ABOVE SHALL SPECIFICALLY WAIVE ALL CLAIMS FOR DAMAGES OR OTHER RELIEF INCLUDING BUT NOT LIMITED TO CLAIMS BASED ON LATENT DEFECTS. EVEN IF THE REPAIR OR REPLACEMENT REMEDY SHALL BE DEEMED TO HAVE FAILED OF ITS ESSENTIAL PURPOSE UNDER SECTION 2-719 OF THE UNIFORM COMMERCIAL CODE, SELLER SHALL HAVE NO LIABILITY TO BUYER FOR CONSEQUENTIAL DAMAGES, SUCH AS LOST PROFITS, LOST REVENUE, DAMAGE TO OTHER EQUIPMENT OR LIABILITY OR INJURY TO A THIRD PARTY. IN NO EVENT SHALL BUYER BE ENTITLED TO INCIDENTAL, CONSEQUENTIAL, OR SPECIAL DAMAGES, NOR SHALL SELLER'S LIABILITY EXCEED THE PURCHASE PRICE OF THE GOODS. ANY ACTION ARISING HEREUNDER OR RELATED HERETO MUST BE COMMENCED WITHIN ONE (1) YEAR AFTER THE CAUSE OF ACTION OCCURS OR IT SHALL BE BARRED, NOTWITHSTANDING ANY STATUTORY PERIOD OF LIMITATIONS TO THE CONTRARY.

(j) In the event of the resale of any of the Goods, in whatever form, Buyer will include the following language in a conspicuous place and in a conspicuous manner in a written agreement covering such resale: "THE MANUFACTURER MAKES NO WARRANTIES OR REPRESENTATIONS, EXPRESS OR IMPLIED, BY OPERATION OF LAW OR OTHERWISE, AS TO THE MERCHANTABILITY OR FITNESS FOR A PARTICULAR PURPOSE OF THE GOODS SOLD HEREUNDER. BUYER ACKNOWLEDGES THAT IT ALONE HAS DETERMINED THAT THE GOODS PURCHASED HEREUNDER WILL SUITABLY MEET THE REQUIREMENTS OF THEIR INTENDED USE. IN NO EVENT WILL MANUFACTURER BE LIABLE FOR CONSEQUENTIAL, INCIDENTAL OR OTHER DAMAGES."

(k) Nuclear Use Disclaimer - Goods sold by Seller are not intended for use in connection with any nuclear facility or activity. If so used, Seller disclaims all liability for any nuclear damage, injury or contamination, and Buyer shall indemnify and hold Seller, its officers, agents, employees, successors, assigns and customers harmless from and against any and all losses, damages or expenses of whatever form or nature (including attorneys' fees and other costs of defending any action) which they or any of them may sustain or incur, whether as a result of breach of contract, warranty, tort (including negligence) or otherwise, by reason of such use.

13. REMEDIES AND LIMITATIONS OF LIABILITY.

In the event Buyer claims Seller has breached any of its obligations under the Sales Contract, whether of warranty or otherwise, Seller may request the return of Goods and tender to Buyer, at Seller's option, a replacement shipment of Goods. If Seller so requests the return of the Goods, the Goods will be redelivered to Seller in accordance with Seller's instructions and at Buyer's expense. Except as herein provided, Seller shall have no further obligation under the Sales Contract. The remedies contained in this paragraph and paragraph 12 hereof shall constitute the sole recourse of Buyer against Seller for breach of any of Seller's obligations under the Sales Contract, whether warranty or otherwise.

14. TECHNICAL ADVICE.

Any technical advice furnished or recommendation made by Seller or any representative of Seller concerning any use or application of any of the Goods is believed to be reliable, but SELLER MAKES NO WARRANTY, EXPRESSED OR IMPLIED, ON RESULTS TO BE OBTAINED. BUYER ASSUMES ALL RESPONSIBILITY FOR LOSS OR DAMAGE RESULTING FROM THE HANDLING OR USE OF ANY OF THE GOODS.

15. FORCE MAJEURE.

Seller shall not be liable for failure to perform its obligations under the Sales Contract in whole or in part caused by the occurrence of any contingencies beyond the reasonable control either of Seller or of suppliers of Seller. If any such

contingency occurs, Seller may allocate Goods and deliveries among Seller's customers.

16. ASSIGNMENT AND DELEGATION.

No right or interest in the Sales Contract shall be assigned by Buyer without Seller's prior written consent, and no delegation of any obligation owed, or to the performance of any obligation by Buyer shall be made without Seller's prior written consent. Any attempt at assignment or delegation shall be wholly void and totally ineffective for all purposes unless made in conformity with this paragraph.

17. PATTERNS AND TOOLING.

Unless otherwise agreed to in writing with Buyer, Seller shall retain title to and possession of all special tooling, patterns and dies whether paid for by Buyer or not, but such special tooling, patterns and dies that are specifically paid for by Buyer will be held by Seller exclusively for the manufacture of Buyer's Goods for not more than 2 years after the date of Buyer's last order requiring their use. Seller will exercise reasonable care in handling and storing any tooling, patterns or dies specifically paid for by Buyer, but Seller shall not be liable for damage or loss thereof.

18. PATENTS. SELLER MAKES NO REPRESENTATION OR WARRANTY WITH RESPECT TO THE PATENTABILITY OF THE GOODS OR THAT ANY OF THE GOODS WILL BE FREE FROM CLAIMS OF INFRINGEMENT.

Buyer agrees to indemnify and defend Seller in any such suit, action or proceeding for any claim resulting from actual or alleged infringement of any domestic or foreign letters patent for (i) any feature, construction or design incorporated at Buyer's request in any Goods or to adapt such Goods to the particular use of Buyer or Buyer's customers or (ii) any additions, changes or adaptations made by Buyer or Buyer's customers after delivery of the Goods.

19. CONFIDENTIAL INFORMATION.

All drawings, diagrams, specifications, technical data and other materials furnished by Seller and identified by Seller as confidential are and shall remain the exclusive property of Seller and shall be returned to Seller upon request. Buyer agrees to treat such information and material as confidential and not to reproduce or disclose such information or materials without Seller's prior written consent. This paragraph does not apply to any information already known to and readily accessible in the trade or which may become so through no fault of Buyer.

20. CHANGES.

Seller may, at any time, without notice, make changes (whether in design, material, improvements or otherwise) in any catalog Goods, and may discontinue the manufacture of any catalog Goods, all in its sole discretion, without incurring any obligations of any kind as a result thereof, whether for failure to fill an order of Buyer or otherwise.

21. CANCELLATION.

The Buyer may not cancel purchase orders without the prior written consent of Seller. This consent will be conditioned on Buyer's agreement to pay Seller's cancellation charges. Purchase orders for Goods that are substantially complete, as judged by Seller, may not be cancelled and will be shipped and invoiced at the price on the order. For Goods that are not substantially complete, the cancellation charge shall amount to all costs and expenses incurred by Seller and arising out of or in connection with Buyer's order, net of recoverability, but in no event less than 10% of the total invoice price of the equipment or more than the total invoice price.

22. INSTALLATION.

Installation of the Goods shall be by Buyer unless otherwise specifically stated in the Sales Contract.

23. SEVERABILITY.

If any term or provision contained in the Sales Contract is declared or held invalid by a court of competent jurisdiction, such declaration or holding shall not affect the validity of any other term, clause or provision contained herein.

24. GOVERNING LAW AND LIMITATION.

(a) These Terms and Conditions, and the contract of sale between Seller and Buyer, shall be governed by and construed in accordance with the laws of the State of Wisconsin. Seller and Buyer hereby agree that any legal action deemed necessary by either party hereto shall be brought in the Circuit Court in and for Ozaukee County, Wisconsin and hereby consent to the personal jurisdiction of such court in any such action over the parties hereto. The rights and obligations of Seller and Buyer shall not be governed by the provisions of the United Nations Convention on Contracts for the International Sale of Goods.

(b) Attorney's Fees - Buyer agrees to pay all of Seller's costs and expenses of collection and litigation, including but not limited to attorneys' fees and costs.



(c) Applicability - The Terms and Conditions as stated herein are applicable as of the date of this printing and until such time as changed by Seller.

REVISED, DECEMBER, 2007



IMPORTANT INFORMATION PLEASE READ CAREFULLY



The following  and  information is supplied to you for your protection and to provide you with many years of trouble free and safe operation of your product:

Read ALL instructions prior to operating equipment. Injury to personnel or sheave/bushing failure may be caused by improper installation, maintenance or operation.



- Written authorization from LEESON is required to operate or use sheaves or bushings in man lift or people moving devices.
- Check to make certain application does not exceed the allowable load capacities published in the current catalogue.
- Buyer shall be solely responsible for determining the adequacy of the product for any and all uses to which Buyer shall apply the product. The application by Buyer shall not be subject to any implied warranty of fitness for a particular purpose.
- For safety, Buyer or User should provide protective guards over all shaft extensions and any moving apparatus mounted thereon. The User is responsible for checking all applicable safety codes in his area and providing suitable guards. Failure to do so may result in bodily injury and/or damage to equipment.
- Make certain that the power supply is disconnected before attempting to service or remove any components. Lock out the power supply and tag it to prevent unexpected application of power.
- Any brakes that are used in conjunction with a reducer must be sized or positioned in such a way so as to not subject the reducer to loads beyond the catalogue rating.



- Test run unit to verify operation. If the unit tested is a prototype, that unit must be of current production.

In the event of the resale of any of the goods, in whatever form, Resellers/Buyers will include the following language in a conspicuous place and in a conspicuous manner in a written agreement covering such sale:

The manufacturer makes no warranties or representations, express or implied, by operation of law or otherwise, as to the merchantability or fitness for a particular purpose of the goods sold hereunder. Buyer acknowledges that it alone has determined that the goods purchased hereunder will suitably meet the requirements of their intended use. In no event will the manufacturer be liable for consequential, incidental or other damages. Even if the repair or replacement remedy shall be deemed to have failed of its essential purpose under Section 2-719 of the Uniform Commercial Code, the manufacturer shall have no liability to Buyer for consequential damages.

Resellers/Buyers agree to also include this entire document including the warnings and cautions above in a conspicuous place and in a conspicuous manner in writing to instruct users on the safe usage of the product.

This information should be read together with all other printed information supplied by LEESON Electric.

For more information contact: **LEESON Electric, Grafton WI 53024-0241 U.S.A.**



MOTOR WARNINGS AND CAUTIONS



IMPORTANT INFORMATION PLEASE READ CAREFULLY



This catalog is not intended to provide operational instructions. Appropriate LEESON instructions provided with the motor and precautions attached to the motor should be read carefully prior to installation, operation and/or maintenance of the equipment. Injury to personnel or motor failure may be caused by improper installation, maintenance or operation.

The following and information is supplied to you for your protection and to provide you with many years of trouble free and safe operation of your product:



- Disconnect power and lock out driven equipment before working on a motor.
- Always keep hands and clothing away from moving parts.
- The lifting support on the motor is not to be used to lift the entire machine. Only the motor attached directly to the support may be safely lifted by the support.
- Install and ground per local and national codes.
- Discharge all capacitors before servicing a single phase motor.
- Misapplication of a motor in hazardous environment can cause fire or an explosion and result in serious injury. Only the end user, local authority having jurisdiction, and/or insurance underwriter are qualified to identify the appropriate class(es), group(s), division and temperature code LEESON personnel cannot evaluate or recommend what motors may be suitable for use in hazardous environments. If a motor is name plated for hazardous locations, do not operate the motor without all of the grease and drain plugs installed.
- Never attempt to measure the temperature rise of a motor by touch. Temperature rise must be measured by thermometer, resistance, resistance, imbedded detector or thermocouple.
- Motors with automatic reset thermal protectors will automatically restart when the protector temperature drops sufficiently. Do not use motors with automatic reset thermal protectors in applications where automatic restart will be hazardous to personnel or equipment.
- Motors with manual reset thermal protectors may start unexpectedly after the protector trips when the surrounding air is at +20° Fahrenheit or lower. If the manual reset protector trips, disconnect motor from its power supply. After the protector cools (five minutes or more), it can be reset and power may be applied to the motor.
- Connect all protective device leads, marked P1, P2, etc., per instructions supplied with the motor.
- Operation of a motor at other than its nameplate rating may result in fire, damage to equipment or serious injury to personnel.
- For safety, Buyer or User should provide protective guards over all shaft extensions and any moving apparatus mounted thereon. The User is responsible for checking all applicable safety codes in his area and providing suitable guards. Failure to do so may result in bodily injury and/or damage to equipment.



- Consult qualified personnel with questions and all electrical repairs must be performed by trained and qualified personnel only.
- For motors nameplated as "belted duty only", do not operate the motor without belts properly installed.
- Motors and/or driven equipment should not be operated faster than their rated speed.
- For inverter applications, follow the inverter manufacturer's installation guidelines.
- Make sure the motor is properly secured and aligned before operation.

In the event of the resale of any of the goods, in whatever form, Resellers/Buyers will include the following language in a conspicuous place and in a conspicuous manner in a written agreement covering such sale:

The manufacturer makes no warranty or representations, express or implied, by operation of law or otherwise, as to the merchantability or fitness for a particular purpose of the goods sold hereunder. Buyer acknowledges that it alone has determined that the goods purchased hereunder will suitably meet the requirements of their intended use. In no event will the manufacturer be liable for consequential, incidental or other damages. Even if the repair or replacement remedy shall be deemed to have failed of its essential purpose under Section 2-719 of the Uniform Commercial Code, the manufacturer shall have no liability to Buyer for consequential damages.

Resellers/Buyers agree to also include this entire document including the warnings and cautions above in a conspicuous place and in a conspicuous manner in writing to instruct users on the safe usage of the product.

This information should be read together with all other printed information supplied by LEESON Electric.

For more information contact: **LEESON Electric, Grafton WI 53024-0241 U.S.A.**

DISTRICT SALES OFFICES and WAREHOUSES



LEESON District Sales Offices & Warehouses can provide complete information including price and availability on both standard stock and special motors.

United States

ARKANSAS, Little Rock

District Mgr.,
Kevin Springstead
972/245-2017
Fax: 972/245-2328

**CALIFORNIA,
Los Angeles**

Co-District Mgrs.,
Felix Wilson,
Oswald Aguirre
323/278-7979
Fax: 323/278-7955

**CALIFORNIA,
San Francisco**

District Mgr.,
Dave Richardson
925/371-8125
Fax: 925/371-5673

COLORADO, Denver

District Mgr.,
Kevin Springstead
800/444-7609
Fax: 972/245-2328

**CONNECTICUT, Hartford
/ Metro Boston, MA**

District Mgr.,
Dave Manning
888/479-7875
Fax: 508/987-1173

FLORIDA, Tampa

District Mgr.,
Bill Taylor
813/740-2571
Fax: 813/663-9104

GEORGIA, Atlanta

District Mgr.,
Walter Brooks
770/933-0453
Fax: 770/933-0549

ILLINOIS, Chicago

Co District Mgrs.,
Mike Miller,
Robert Sheppard
630/458-9511
Fax: 630/458-1923

INDIANA, Indianapolis

District Mgr.,
Matt Simko
800/331-2911
Fax: 440/975-3575

IOWA, Des Moines

District Mgr.,
John Marshalla
952/935-8271
Fax: 952/935-8399

KANSAS, Kansas City

District Mgr.,
Pat Donnelly
913/599-6983
Fax: 913/599-6987

MARYLAND/Baltimore

District Mgr., Craig Brisbane
570/325-3684
Fax: 570/325-3870

MICHIGAN, Grand Rapids

District Mgr.,
Greg Norris
616/249-8430
Fax: 616/249-8628

MINNESOTA, Minneapolis

District Mgr., John Marshalla
952/935-8273
Fax: 952/935-8399

MISSOURI, St. Louis

District Managers
Pat and Ken Anvender
314/714-1460
Fax: 314/714-1461

**NEW JERSEY/METRO
NEW YORK/LONG ISLAND**

(Plainfield, NJ 18229)
Contact: Dave Beck
570/325-3684
Fax: 570/325-3870

NEW YORK, Syracuse

District Mgr.,
Chris Brisbane
866/505-8796
Fax: 570/325-3870

NORTH CAROLINA, Charlotte

District Mgrs.,
Steve McAbee
and Doug Landgraf
803/396-8200
Fax: 803/396-8208

OHIO, Cincinnati

District Mgr., Ken Simko
513/755-1000
Fax: 513/755-1081

OHIO, Cleveland

District Mgr., Matt Simko
440/951-5117
Fax: 440/975-3575
800/331-2911 (W.P.A. WV)

**PENNSYLVANIA, Allentown/
Philadelphia**

District Mgr.,
Craig Brisbane
570/325-3684
Fax: 570/325-3870

TEXAS, Dallas

District Mgr., Homer Rodden,
Kevin Springstead
972/245-2017
Fax: 972/245-2328

TEXAS, Houston

Contact,
Donnie Heckler
713/952-5337
Fax: 972/245-2328

UTAH, Salt Lake City

District Mgr.,
Kevin Springstead
800/444-7609
Fax: 972/245-2328

WASHINGTON, Seattle

District Mgr.,
Amorette Gent
425/775-3504
Fax: 425/775-6706

WISCONSIN, Milwaukee

Co-District Mgrs.,
Brian Birtic and Mark Ziegler
414/475-9222
Fax: 414/475-9267

International

International Sales Administrator,

Sue Kastner
WISCONSIN, Grafton
(+1) 262/377-8810
Fax: (+1) 262/377-3440

ASIA

Mr. William Chua
12 Tuas Loop
Singapore 637346
(+65) 6863-3473
Fax: (+65) 6863-3476

**CENTRAL AMERICA,
SOUTH AMERICA & CARIBBEAN
FLORIDA, Miami**

(+1) 305/220-4423
Fax: (+1) 305/220-5945

EUROPE

Mr. Ole Bakker
Mors 1-5, Eibergen
Netherlands 7151MX
Mobile: (+31) 6-13-12-15-92
(+31) 545-46-46040
Fax: (+31) 545-47-50-65
ole.bakker@regalbeloit.com

MIDDLE EAST

Mr. P. Mathivanan
PO Box No 1085, PC: 114
Muscat OMAN
(+968) 92192416
Fax: (+968) 24789519

UNITED KINGDOM

Ms. Magda Bartosova
Rotor UK Ltd
16 Everitt Close
Denington Industrial Estate
Wellingborough UK NN8 2QF
(+44) 1933-230900
Fax: (+44) 1933-272152

Regal Beloit Canada

ALBERTA, Edmonton

Branch Mgr.,
Mike Strenkowski
780/437-3380
Fax: 780/434-3448

BRITISH COLUMBIA, Vancouver

Branch Mgr.,
Keary Bott
9087A - 198 Street
888-599-1177
Fax: 604-888-0337

MANITOBA, Winnipeg

Branch Mgr.,
Charlie Vogel
204/786-6802
Fax: 204/786-6934

NEW BRUNSWICK, Moncton

Branch Mgr.,
Ken Sheehan
506/383-8883
Fax: 506/383-8887

ONTARIO, Toronto

National Sales Mgr.,
Michael Tough
905/670-4770
Fax: 905/670-8971

ONTARIO, Hanover

Branch Mgr.,
Doug Stafford
800/463-1797
Fax: 800/225-9007

QUEBEC, Candiac

Branch Mgr.,
Michael Jenkins
275 Liberte
514/337-8020
Fax: 514/337-0773



LEESON Electric
RBC Manufacturing Corporation
Grafton, Wisconsin 53024-0241
PH: 262-377-8810
FAX: 262-377-9025

leeson.com



An American owned motor company

A Regal Brand

The logo for Regal, featuring the word "REGAL" in a bold, italicized, white, sans-serif font inside a dark gray trapezoidal shape.

REGAL

www.regalbeloit.com