

**Lovejoy Hydraulics
Pump / Motor Mounts**



where the world turns for

Lovejoy

Hydraulics

SCALE 3:8



Pump / Motor Mounts

Table of Contents

Hydraulic Pump and Motor Mounts > Overview	4
SAE and Metric Pump Mounts > Selection Data.....	5
ANSI Shaft Codes > Dimensional Data.....	6
NEMA Frame Motors > Dimensional Data / Bolt Torque Table.....	7
Horizontal and Vertical Mount > Selection Process / Mount Type - Product Code Breakdown.....	8
Installation 1 > Vertical Mounting Options	9
Installations 2 and 3 > Vertical Mounting Options	10
Horizontal (Vertical option) 56C, 143TC / 145TC > 3.50 - 4.50 Inch / Item Selection	11
Horizontal (Vertical option) 56C, 143TC / 145TC > 5.00 - 5.25 Inch / Item Selection	12
Horizontal (Vertical option) 182TC - 256TC > 4.75 - 5.25 Inch / Item Selection.....	13
Horizontal (Vertical option) 182TC - 256TC > 5.81 - 6.81 Inch / Item Selection.....	14
Horizontal 182TC - 256TC > 5.25 - 6.00 Inch / Item Selection.....	15
Horizontal 182TC - 256TC > 6.81 - 7.00 Inch / Item Selection.....	16
Horizontal 284TC - 405TC > 6.87 - 8.75 Inch / Item Selection.....	17
Vertical 56C, 143TC / 145TC > 3.50 - 4.50 Inch / Item Selection.....	18
Vertical 56C, 143TC / 145TC > 5.00 - 5.25 Inch / Item Selection.....	19
Vertical 182TC - 256TC > 5.00 - 5.81 Inch / Item Selection	20
Vertical 182TC - 256TC > 6.81 - 7.00 Inch / Item Selection	21
LH Coupling > Dimension / Performance Data	22
Product Warranty.....	23

Lovejoy, Inc has made every effort to assure the accuracy of the information contained in this catalog. However, Lovejoy, Inc expressly disclaims any and all liability for the contents of this catalog including, but not limited to, errors, inaccuracies, misstatements, omissions and any incidental or consequential damages which may occur as the result of relying on this information. Lovejoy reserves the right to change specifications and information without notice.

Hydraulic Pump / Motor Mounts

For well over 100 years, Lovejoy has been the premier manufacturer of flexible drive couplings. Lovejoy Hydraulics Pump / Motor Mounts help power unit designers and fabricators simplify their Power Unit designs. The Pump/Motor Mount, commonly called the "Bell Housing", allows direct mounting of flange mount pumps to NEMA C-Face electric motors. This eliminates the need for coupling guards, foot brackets, shims, risers, and motor mounting plates, and assures accurate shaft alignment. The ease of assembly reduces your power unit fabrication costs.

Lovejoy precision machines each cast aluminum alloy pump/motor mounts to 0.003 inch concentric from the motor pilot to the pump pilot, and the mounting faces parallel to each other and perpendicular to the pilot Centerline within 0.002 inch. This assures accurate shaft alignment, which prolongs bearing, seal and coupling life. This also helps to reduce noise and vibration in the power unit.

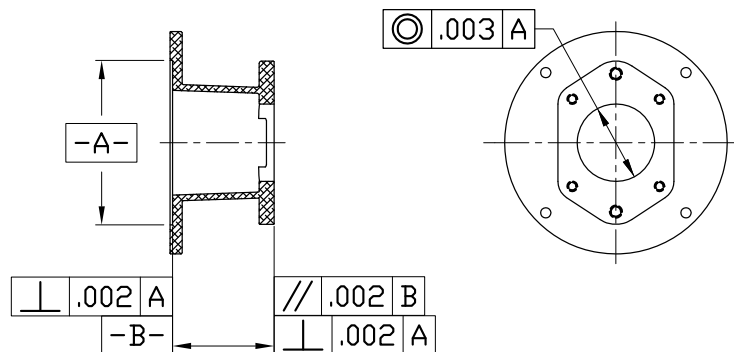
Lovejoy Hydraulics offers a full selection of both vertical and horizontal mounting configuration pump/motor mounts in both SAE and Metric pump flanges, and both NEMA and IEC electric motor mounts. For IEC pump/motor mounts, contact Lovejoy Hydraulics Technical Engineering with application requirements. Lovejoy Hydraulic pump/motor mounts are available from stock and can be shipped immediately. In addition, Lovejoy Hydraulics is always willing to review your special mounting requirements with custom mounts.

Lovejoy Hydraulics Cast Aluminum Pump / Motor Mounts are cast from a lightweight, high strength aluminum alloy. For safety, a molded OSHA orange coupling access cover is included with every NEMA mount.



Horizontal Pump / Motor Mounts

Lovejoy Hydraulics Horizontal pump/motor mounts are supplied with a weep hole to drain any pump leakage. Fluid leakage from this hole is a "tell-tale" detection of leaking seals or other areas of concern. Horizontal mounts are available for mounting NEMA C-Face motors in frame sizes 56C to 405TSC for most SAE and Metric 2 and 4 bolt pump flanges. Certain horizontal mounts can be mounted vertically as well by using Vertical Mounting - Installation 1 and a Vertical Mount gasket.



Included Hardware

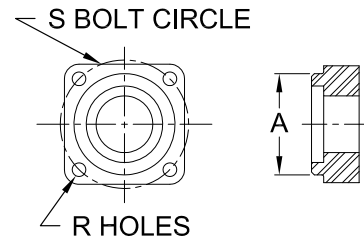
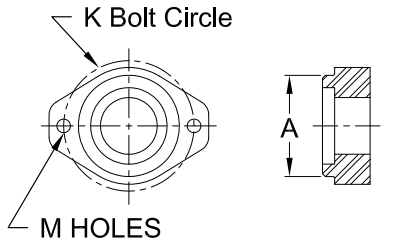
A Motor Mount kit and Pump Mount kit is included. Each includes all the required bolts and washers to mount the pump and motor to the pump/motor mount. Refer to the BHN Pump/Motor Mount Bolt Torque Table, Chart 1, on page 7 for bolt torque recommendations.

Vertical Pump / Motor Mounts

Lovejoy Hydraulics Vertical pump/motor mounts are a cost-effective, space-saving solution that allows mounting the pump through the tank lid top or from underneath. The pump and mount assembly is enclosed inside the tank, which is a safe, quiet, compact way of mounting the pump/motor assembly. Vertical mounts are available in NEMA C-Face motor frame sizes from 56C to 256TC for most SAE and Metric 2 and 4 bolt pump flanges. Two mounting options are available to give additional flexibility in Vertical Power Unit Design.

Included Hardware

A Motor Mount kit and Pump Mount kit is included. Each includes all the required bolts and washers to mount the pump and motor to the pump/motor mount. The kit does NOT contain hardware required to mount the pump/motor mount to the tank lid top. Refer to the BHN Pump/Motor Mount Bolt Torque Table, Chart 1, on page 7 for bolt torque recommendations.



SAE - 2 Bolt Mount Dimensions

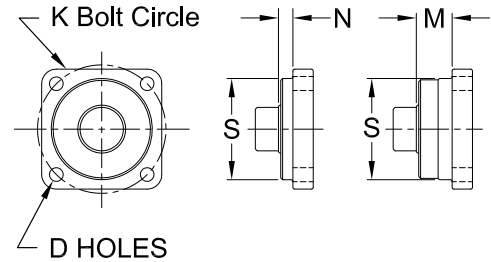
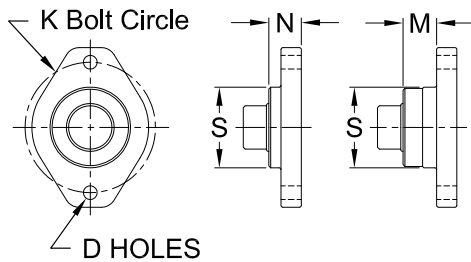
Chart 2

Pump Mounting Type	ANSI Flange Code	A Pilot Diameter in	K Bolt Circle in	M Bolt Holes in
SAE AA	50-2	2.000	3.250	0.406
SAE A	82-2	3.250	4.187	0.438
SAE B	101-2	4.000	5.750	0.562
SAE C	127-2	5.000	7.125	0.688
SAE D	152-2	6.000	9.000	0.812
SAE E	165-2	6.500	12.500	1.062
SAE F	177-2	7.000	13.781	1.062

SAE - 4 Bolt Mount Square Dimensions

Chart 3

Pump Mounting Type	ANSI Flange Code	A Pilot Diameter in	S Bolt Circle in	R Bolt Holes in
USA4F17	—	1.781	2.838	0.375
SAE A	—	3.250	4.125	0.438
SAE B	101-4	4.000	5.000	0.562
SAE C	127-4	5.000	6.375	0.562
SAE D	152-4	6.000	9.000	0.812
SAE E	165-4	6.500	12.500	0.812
SAE F	177-4	7.000	13.781	1.062



Metric - 2 Bolt Mount Dimensions

Chart 4

Pump Mounting Type	S Pilot Diameter mm	K Bolt Circle mm	D Bolt Holes mm	N mm	M mm
32 A2	32	56	6.6	8	16
40 A2	40	63	6.6	8	16
50 A2	50	80	9.0	8	20
63 A2	63	100	9.0	8	20
80 A2	80	109	11.0	8	20
100 A2	100	140	14.0	10	25
112 A2	112	160	14.0	10	25
125 A2	125	180	18.0	10	32
140 A2	140	200	18.0	10	32
160 A2	160	224	22.0	10	40
180 A2	180	250	22.0	10	40
200 A2	200	280	26.0	10	50

Metric - 4 Bolt Square Mount Dimensions

Chart 5

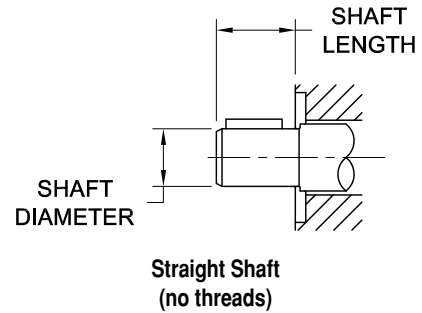
Pump Mounting Type	S Pilot Diameter mm	K Bolt Circle mm	D Bolt Holes mm	N mm	M mm
63 B4	63	85	9	8	20
63 S4	63	80	9	8	20
80 B4	80	103	9	8	20
80 S4	80	100	9	8	20
100 B4	100	125	11	10	25
112 B4	112	140	11	10	25
125 B4	125	160	14	10	32
140 B4	140	180	14	10	32
160 B4	160	200	18	10	40
180 B4	180	224	18	10	40
200 B4	200	250	22	10	50
224 B4	224	280	22	10	50
250 B4	250	315	26	10	50

ANSI shaft code assignments for fluid power pumps and motors.
 Complete dimensions may be obtained from ANSI B93.6-1972.

Straight Shaft (no threads) Dimensions

Chart 7

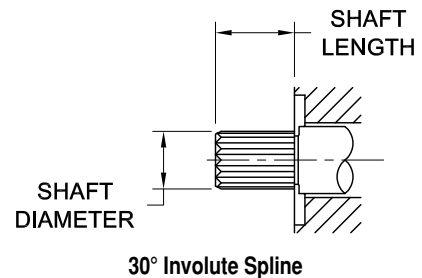
ANSI Shaft Code	SAE Shaft Code	Shaft Diameter in	Short Shaft Length in	Long Shaft Length in	Key Width in
13-1	AA	0.500	0.750	—	0.125
16-1	A	0.625	0.938	2.000	0.156
22-1	B	0.875	1.312	2.500	0.250
25-1	BB	1.000	1.500	2.750	0.250
32-1	C	1.250	1.875	3.000	0.312
38-1	CC	1.500	2.125	3.250	0.375
44-1	D, E	1.750	2.625	3.625	0.437



30° Involute Spline Dimensions

Chart 8

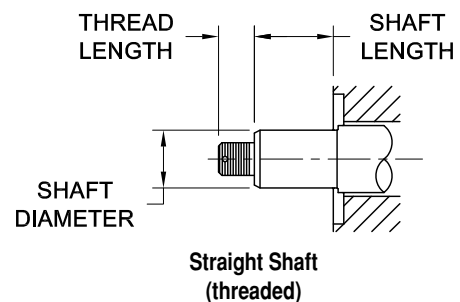
ANSI Shaft Code	SAE Shaft Code	Shaft Diameter in	Shaft Length in	Spline Specifications
13-4	AA	0.500	0.750	9T, 20/40 DP
16-4	A	0.625	0.938	9T, 16/32 DP
22-4	B	0.875	1.312	13T, 16/32 DP
25-4	BB	1.000	1.500	15T, 16/32 DP
32-4	C	1.250	1.875	14T, 12/24 DP
38-4	CC	1.500	2.125	17T, 12/24 DP
44-4	D, E	1.750	2.625	13T, 8/16 DP
50-4	F	2.000	3.125	15T, 8/16 DP



Straight Shaft (threaded) Dimensions

Chart 9

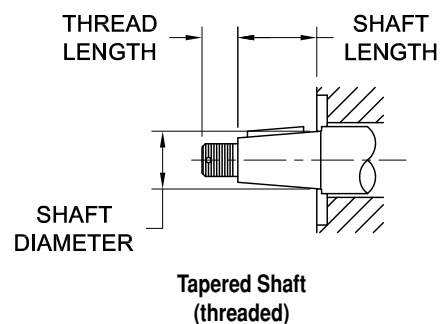
ANSI Shaft Code	Shaft Diameter in	Straight Shaft Length in	Thread Shaft Length in	Thread Size in	Key Width in
13-2	0.500	0.750	0.532	3/8-24	0.125
16-2	0.625	0.938	0.719	1/2-20	0.156
22-2	0.875	1.312	0.906	5/8-18	0.250
25-2	1.000	1.500	1.062	3/4-16	0.250
32-2	1.250	1.875	1.219	1-12	0.312
38-2	1.500	2.125	1.375	1-1/8 -12	0.375
44-2	1.750	2.625	1.562	1-1/4 -12	0.437



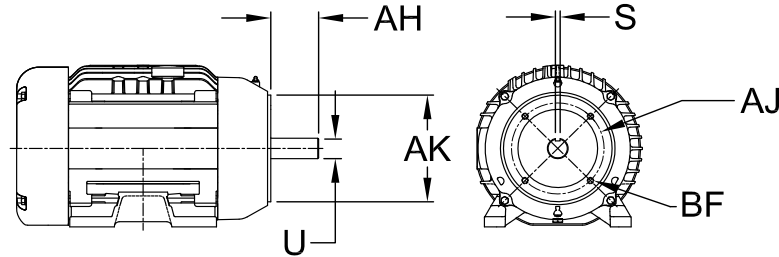
Tapered Shaft (threaded) Dimensions

Chart 10

ANSI Shaft Code	Shaft Diameter in	Tapered Shaft Length in	Thread Shaft Length in	Thread Size in	Key Width in
13-3	0.500	0.688	0.500	5/16-32	.125
16-3	0.625	0.688	0.719	1/2-20	.156
22-3	0.875	1.125	0.906	5/8-18	.250
25-3	1.000	1.375	1.062	3/4-16	.250
32-3	1.250	1.375	1.219	1-12	.312
38-3	1.500	1.875	1.375	1-1/8 -12	.375
44-3	1.750	2.125	1.562	1-1/4 -12	.437
50-3	2.000	2.875	1.562	1-1/4 -12	.500



NEMA C-Face Motor Dimensions



U-Frame Dimensions

Chart 6

	182UC 184UC	213UC 215UC	254UC 256UC	284UC 286UC	324USC 326USC	324UC 326UC	364USC 365USC	364UC 365UC	404USC 405USC	404UC 405UC	444USC 445USC	444UC 445UC
AH	2.125	2.750	3.500	4.625	3.000	5.375	3.500	6.125	4.000	6.875	4.000	8.375
U	7/8	1-1/8	1-3/8	1-5/8	1-5/8	1-7/8	1-7/8	2-1/8	2-1/8	2-3/8	2-1/8	2-7/8
S	3/16	1/4	5/16	3/8	3/8	1/2	1/2	1/2	1/2	5/8	1/2	3/4
AK	4.50	8.50	8.50	10.50	12.50	12.50	12.50	12.50	12.50	12.50	16.00	16.00
AJ	5.875	7.25	7.25	9.00	11.00	11.00	11.00	11.00	11.00	11.00	14.00	14.00
BF	3/8-16	1/2-13	1/2-13	1/2-13	5/8-11	5/8-11	5/8-11	5/8-11	5/8-11	5/8-11	5/8-11	5/8-11
HP	1 2	3 5	7.5 10	15 20	25 30	25 30	40 50	40 35	60 75	60 75	125 150	125 150

T-Frame Dimension

Chart 6, continued

	056C	143TC 145TC	182TC 184TC	213TC 215TC	254TC 256TC	284TSC 286TSC	284TC 286TC	324TSC 326TSC	324TC 326TC	364TSC 365TSC	364TC 365TC	404TSC 405TSC	404TC 405TC	444TSC 449TSC	444TC 449TC
AH	2.062	2.125	2.625	3.125	3.750	3.000	4.375	3.500	5.000	3.500	5.625	4.000	7.000	4.500	8.250
U	5/8	7/8	1-1/8	1-3/8	1-5/8	1-5/8	1-7/8	1-7/8	2-1/8	1-7/8	2-3/8	2-1/8	2-7/8	2-3/8	3-3/8
S	3/16	3/16	1/4	5/16	3/8	3/8	1/2	1/2	1/2	1/2	5/8	1/2	3/4	5/8	7/8
AK	4.50	4.50	8.50	8.50	8.50	10.50	10.50	12.50	12.50	12.50	12.50	12.50	12.50	16.00	16.00
AJ	5.875	5.875	7.250	7.250	7.250	9.000	9.000	11.000	11.000	11.000	11.000	11.000	11.000	14.000	14.000
BF	3/8-16	3/8-16	1/2-13	1/2-13	1/2-13	1/2-13	1/2-13	5/8-11	5/8-11	5/8-11	5/8-11	5/8-11	5/8-11	5/8-11	5/8-11
HP	1/4 1/2	1 2	3 5	7.5 10	15 20	25 30	25 30	40 50	40 50	60 75	60 75	100 125	100 125	150 20	150 200

- Notes:
- AH is shaft length.
 - U is shaft diameter.
 - S is keyway width.
 - AK is pilot diameter.
 - AJ is bolt circle.
 - BF is tread type.
 - HP is horse power at 1750 RPM.

BHN Pump/Motor Mount Bolt Torque Table

Chart 1

Bolt Size	Recommended Torque			
	Grade 5		Grade 8	
	Coarse ft-lb	Fine ft-lb	Coarse ft-lb	Fine ft-lb
1/4	6.3	7.3	9	10
5/16	13.0	14.0	18	20
3/8	23.0	26.0	33	37
7/16	37.0	41.0	52	58
1/2	57.0	64.0	80	90
9/16	82.0	91.0	115	129
5/8	112.0	128.0	159	180
3/4	200.0	223.0	282	315
7/8	322.0	355.0	454	501
1	483.0	541.0	682	764



Pump / Motor Mounts

Horizontal and Vertical Mount

Selection Process / Mount Type - Product Code Breakdown

Horizontal Mount Selection Process

1. Review Charts 2 thru 5 (page 5) to determine pump mounting type required.
2. Measure the pump shaft length, dimension "AH", from the shaft end to the flange mounting face and ADD to the motor shaft length shown in Chart 6 (page 7) to determine a minimum pump/motor mount length - it is recommended to also add a minimum 1/16 (.0625) inch for shaft end clearance.
3. Locate the appropriate Horizontal Mount table (pages 11 thru 17) based on the motor frame size in the application and the length that corresponds to the minimum length determined in Step 2.
4. Locate in this table the pump flange/mounting type as determined in Step 1. The right side of this table will have the corresponding Lovejoy Hydraulics UPC number associated with the pump flange type selected.
5. Check for proper clearance between the mount inner surfaces and the coupling O.D. (dimensions 'Z' and 'CL' in the table). Dimensional data for Lovejoy Hydraulic LH couplings are located in the LH Dimensional Data table on page 22. Lovejoy offers additional coupling styles that may provide further advantages and can be reviewed with your Lovejoy Sales Representative or found on Lovejoy's website at www.lovejoy-inc.com.

Vertical Mount Selection Process

1. Review Charts 2 thru 5 (page 5) to determine pump mounting type required.
2. Measure the pump shaft length, dimension "AH", from the shaft end to the flange mounting face and ADD to the motor shaft length shown in Chart 6 (page 7) to determine a minimum pump/motor mount length - it is recommended to also add a minimum 1/16 (.0625) inch for shaft end clearance.
3. Determine vertical mounting installation to be used: Installation 1 (page 9), Installation 2 or Installation 3 (page 10).
4. Locate the appropriate Vertical Mount table (Vertical Mount option pages 11 thru 14 and Vertical Mounts pages 18 thru 21) based on the motor frame size in the application and the length that corresponds to the minimum length determined in Step 2.
5. Locate in this table the pump flange/mounting type as determined in Step 1. The right side of this table will have the corresponding Lovejoy Hydraulics UPC number associated with the pump flange type selected.
6. Check for proper clearance between the mount inner surfaces and the coupling O.D. (dimensions 'Z' and 'CL' in the table). Dimensional data for Lovejoy Hydraulic LH couplings are located in the LH Dimensional Data table on page 22. Other Lovejoy couplings may also be suitable and can be reviewed with your Lovejoy Sales Representative or found on Lovejoy's website at www.lovejoy-inc.com.

Mount Type - Product Code Breakdown

BHN-56 24-A HV L=4.25 (example)

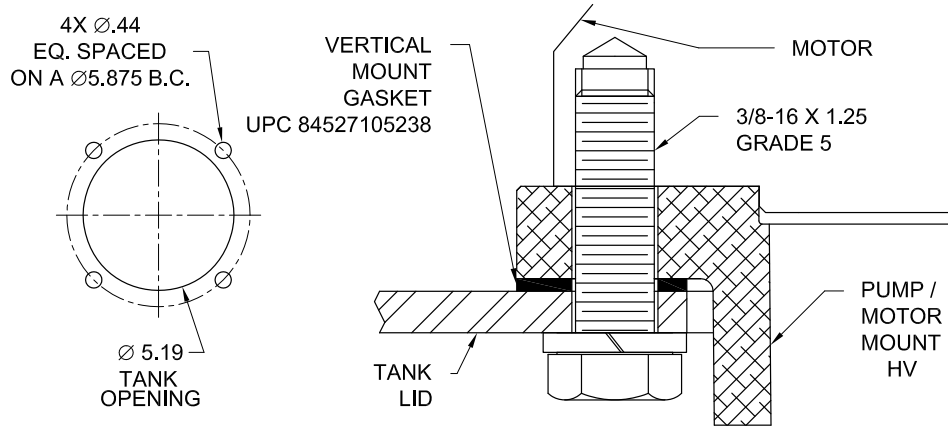
BHN	- ___	--	- _____	--	L=_. __
Series	Motor Size	Pump Bolt	Pump Mount Type	Mounting	Face to Face Length
Bell Housing NEMA	56 182 284 324	02 = 2 Bolt 04 = 4 Bolt 24 = 2 and 4 Bolt	4F17 (SAE) AA (SAE) A (SAE) B (SAE) C (SAE) 80AB (Metric) 80S (Metric) 100AB (Metric) 125AB (Metric)	H = Horizontal V = Vertical HV = Horz / Vert	3.50 4.25 4.50 4.75 5.00 5.25 5.81 6.00 6.81 6.87 7.00 7.06 8.75

NEMA Frame Size 56C - 145TC and 182TC - 256TC Vertical Mounting Option

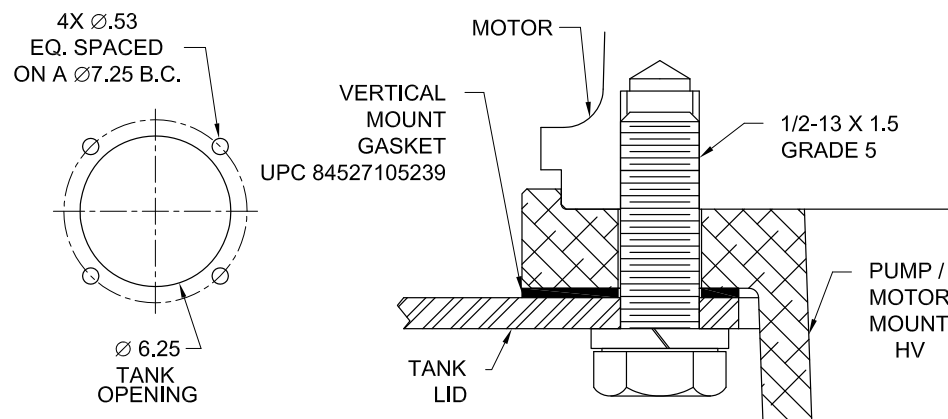
Installation 1 allows Horizontal Mounts having the Vertical Mounting Option to be used in a vertical application for pump sizes USA4F17, SAE AA, SAE A, 80 A2/B4 and 80S4. The pump/motor mount is bolted to the top side of the tank lid. Vertical Mount gasket UPC number 84527105238 needs to be ordered for frame sizes 56C - 145TC and UPC number 84527105239 needs to be ordered for frame sizes 182TC - 256TC.

A Motor Mount kit and Pump Mount kit is included. Each includes all the required bolts and washers to mount the pump and motor to the pump/motor mount. Refer to the BHN Pump/Motor Mount Bolt Torque Table, Chart 1, on page 7 for bolt torque recommendations.

Installation 1 Frame size: 56C - 145TC Horizontal Mount (Vertical Mounting Option) (HV)



Installation 1 Frame size: 182C - 256TC Horizontal Mount (Vertical Mounting Option) (HV)



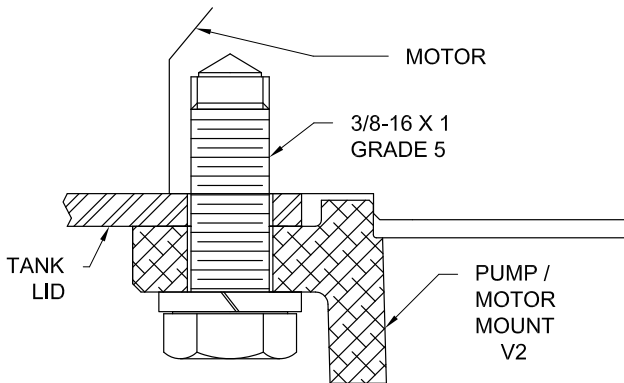
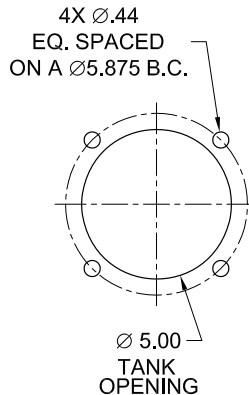
NEMA Frame Size 56C - 145TC Vertical Mounting

Installation 2 pertains only to Vertical Mounts for NEMA Frame sizes 56C - 145TC which only bolt to the underside of the tank lid. No Vertical Mount gasket is required.

A Motor Mount kit and Pump Mount kit is included. Each includes all the required bolts and washers to mount the pump and motor to the pump/motor mount. Refer to the BHN Pump/Motor Mount Bolt Torque Table, Chart 1, on page 7 for bolt torque recommendations.

Installation 2

Frame size: 56C - 145TC Vertical Mount (V2)



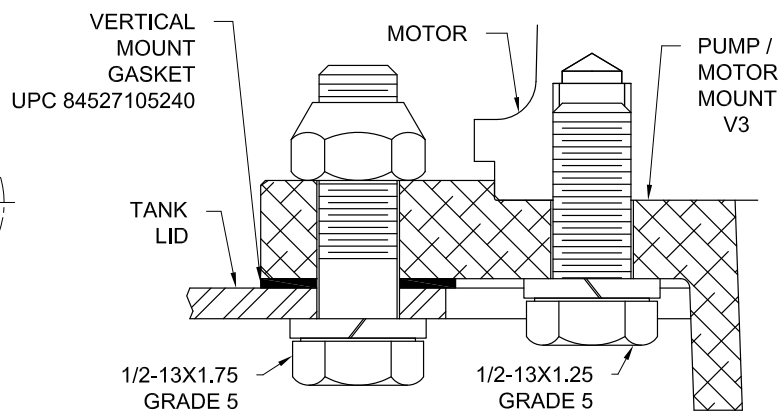
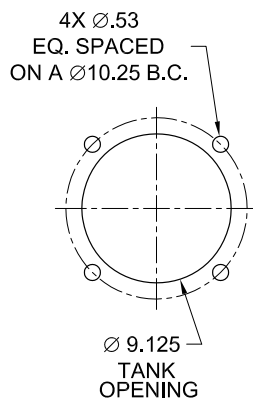
NEMA Frame Size 182TC - 256TC Vertical Mounting

Installation 3 pertains only to Vertical Mounts for NEMA frame sizes 182TC - 256TC which only bolt to the top side of the tank lid. Vertical Mount gasket UPC number 84527105240 is included with pump/motor mount.

A Motor Mount kit and Pump Mount kit is included. Each includes all the required bolts and washers to mount the pump and motor to the pump/motor mount. The kit does NOT contain hardware required to mount the pump/motor mount to the tank lid top. Refer to the BHN Pump/Motor Mount Bolt Torque Table, Chart 1, on page 7 for bolt torque recommendations.

Installation 3

Frame size: 182C - 256TC Vertical Mount (V3)





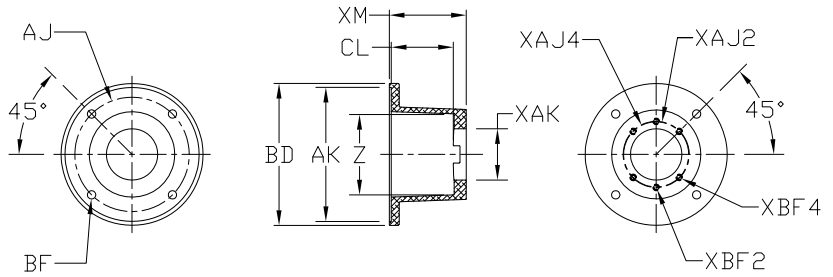
Pump / Motor Mounts

Horizontal (Vertical option) 56C, 143TC / 145TC

3.50 - 4.50 Inch / Item Selection

Motor End Data

AJ	BF	BD	AK
Bolt Circle	Bolt Hole	Motor Flange OD	Motor Pilot
5.88	7/16	6.81	4.501



3.50 Inch Face to Face

Frame Size: 56C, 143TC / 145TC

Horizontal Mounting (Vertical Mounting option - Installation 1)

Pump Flange / End Data

Mount Part Number

Pump Flange	XAK Pilot	Z	CL	XM Face to Face	UPC Number	Mount Type					
							2 Bolt		4 Bolt		
							Circle	Type	Circle	Type	
USA4F17	4 Bolt	1.782	-	-	2.84	5/16-18	4.20	2.81	3.50	5121	BHN-56 04-4F17 HV L=3.50
SAE AA	2 Bolt	2.001	3.25	3/8-16	-	-	4.20	2.81	3.50	5122	BHN-56 02-AA HV L=3.50
SAE A	2(4)Bolt	3.251	4.19	3/8-16	4.12	3/8-16	4.20	2.81	3.50	5123	BHN-56 24-A HV L=3.50
80 A2/B4	2(4)Bolt	80.01mm	109mm	3/8-16	103mm	5/16-18	4.20	2.81	3.50	5124	BHN-56 24-80AB HV L=3.50
80 S4	4 Bolt	80.01mm	-	-	100mm	5/16-18	4.20	2.81	3.50	5125	BHN-56 04-80S HV L=3.50

Notes: ■ For Vertical Mount option, order Vertical Mount gasket UPC number 84527105238.

■ When referencing the Lovejoy Hydraulics UPC number in this table, include 8452710 as a prefix to the number shown.

4.25 Inch Face to Face

Frame Size: 56C, 143TC / 145TC

Horizontal Mounting (Vertical Mounting option - Installation 1)

Pump Flange / End Data

Mount Part Number

Pump Flange	XAK Pilot	Z	CL	XM Face to Face	UPC Number	Mount Type					
							2 Bolt		4 Bolt		
							Circle	Type	Circle	Type	
USA4F17	4 Bolt	1.782	-	-	2.84	5/16-18	4.20	3.56	4.25	5126	BHN-56 04-4F17 HV L=4.25
SAE AA	2 Bolt	2.001	3.25	3/8-16	-	-	4.20	3.56	4.25	5127	BHN-56 02-AA HV L=4.25
SAE A	2(4)Bolt	3.251	4.19	3/8-16	4.12	3/8-16	4.20	3.56	4.25	5128	BHN-56 24-A HV L=4.25
80 A2/B4	2(4)Bolt	80.01mm	109mm	3/8-16	103mm	5/16-18	4.20	3.56	4.25	5129	BHN-56 24-80AB HV L=4.25
80 S4	4 Bolt	80.01mm	-	-	100mm	5/16-18	4.20	3.56	4.25	5130	BHN-56 04-80S HV L=4.25

Notes: ■ For Vertical Mount option, order Vertical Mount gasket UPC number 84527105238.

■ When referencing the Lovejoy Hydraulics UPC number in this table, include 8452710 as a prefix to the number shown.

4.50 Inch Face to Face

Frame Size: 56C, 143TC / 145TC

Horizontal Mounting (Vertical Mounting option - Installation 1)

Pump Flange / End Data

Mount Part Number

Pump Flange	XAK Pilot	Z	CL	XM Face to Face	UPC Number	Mount Type					
							2 Bolt		4 Bolt		
							Circle	Type	Circle	Type	
USA4F17	4 Bolt	1.782	-	-	2.84	5/16-18	4.20	3.81	4.50	5131	BHN-56 04-4F17 HV L=4.50
SAE AA	2 Bolt	2.001	3.25	3/8-16	-	-	4.20	3.81	4.50	5132	BHN-56 02-AA HV L=4.50
SAE A	2(4)Bolt	3.251	4.19	3/8-16	4.12	3/8-16	4.20	3.81	4.50	5133	BHN-56 24-A HV L=4.50
80 A2/B4	2(4)Bolt	80.01mm	109mm	3/8-16	103mm	5/16-18	4.20	3.81	4.50	5134	BHN-56 24-80AB HV L=4.50
80 S4	4 Bolt	80.01mm	-	-	100mm	5/16-18	4.20	3.81	4.50	5135	BHN-56 04-80S HV L=4.50

Notes: ■ For Vertical Mount option, order Vertical Mount gasket UPC number 84527105238.

■ When referencing the Lovejoy Hydraulics UPC number in this table, include 8452710 as a prefix to the number shown.

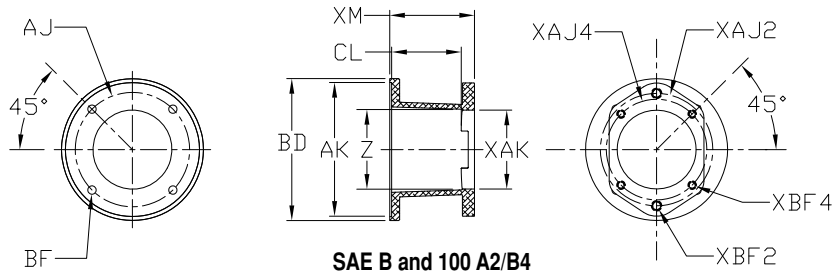
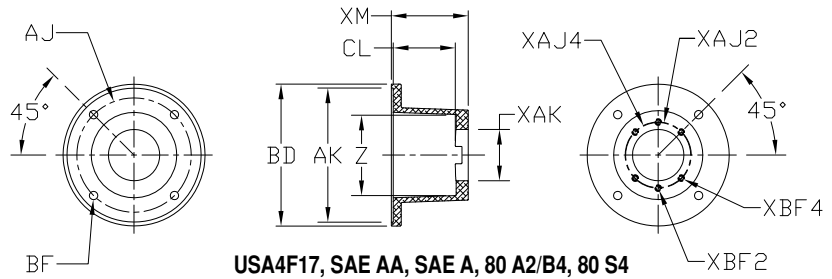
Pump / Motor Mounts

Horizontal (Vertical option) 56C, 143TC / 145TC

5.00 - 5.25 Inch / Item Selection

Motor End Data

AJ	BF	BD	AK
Bolt	Bolt	Motor	Motor
Circle	Hole	Flange OD	Pilot
5.88	7/16	6.81	4.501



5.00 Inch Face to Face

Frame Size: 56C, 143TC / 145TC

Horizontal Mounting (Vertical Mounting option - Installation 1)

Pump Flange / End Data

Mount Part Number

Pump Flange	XAK Pilot	XAJ2		XBF2		XAJ4		XBF4		Z	CL	XM Face to Face	UPC Number	Mount Type
		2 Bolt		4 Bolt										
		Circle	Type	Circle	Type									
USA4F17	4 Bolt	1.782	–	–	2.84	5/16-18	4.20	4.31	5.00	5136	BHN-56 04-4F17 HV L=5.00			
SAE AA	2 Bolt	2.001	3.25	3/8-16	–	–	4.20	4.31	5.00	5137	BHN-56 02-AA HV L=5.00			
SAE A	2(4)Bolt	3.251	4.19	3/8-16	4.12	3/8-16	4.20	4.31	5.00	5138	BHN-56 24-A HV L=5.00			
SAE B	2(4)Bolt	4.001	5.75	1/2-13	5.00	1/2-13	4.20	3.93	5.00	5139	BHN-56 24-B H L=5.00			
80 A2/B4	2(4)Bolt	80.01mm	109mm	3/8-16	103mm	5/16-18	4.20	4.31	5.00	5140	BHN-56 24-80AB HV L=5.00			
80 S4	4 Bolt	80.01mm	–	–	100mm	5/16-18	4.20	4.31	5.00	5141	BHN-56 04-80S HV L=5.00			
100 A2/B4	2(4)Bolt	101.01mm	140mm	1/2-13	125mm	3/8-16	4.20	3.93	5.00	5242	BHN-56 24-100AB H L=5.00			

- Notes:
- For Vertical Mount option, order Vertical Mount gasket UPC number 84527105238.
 - Vertical Mount option not available for SAE B or 100 A2/B4.
 - When referencing the Lovejoy Hydraulics UPC number in this table, include 8452710 as a prefix to the number shown.

5.25 Inch Face to Face

Frame Size: 56C, 143TC / 145TC

Horizontal Mounting (Vertical Mounting option - Installation 1)

Pump Flange / End Data

Mount Part Number

Pump Flange	XAK Pilot	XAJ2		XBF2		XAJ4		XBF4		Z	CL	XM Face to Face	UPC Number	Mount Type
		2 Bolt		4 Bolt										
		Circle	Type	Circle	Type									
USA4F17	4 Bolt	1.782	–	–	2.84	5/16-18	4.20	4.56	5.25	5142	BHN-56 04-4F17 HV L=5.25			
SAE AA	2 Bolt	2.001	3.25	3/8-16	–	–	4.20	4.56	5.25	5143	BHN-56 02-AA HV L=5.25			
SAE A	2(4)Bolt	3.251	4.19	3/8-16	4.12	3/8-16	4.20	4.56	5.25	5144	BHN-56 24-A HV L=5.25			
SAE B	2(4)Bolt	4.001	5.75	1/2-13	5.00	1/2-13	4.20	4.18	5.25	5145	BHN-56 24-B H L=5.25			
80 A2/B4	2(4)Bolt	80.01mm	109mm	3/8-16	103mm	5/16-18	4.20	4.56	5.25	5146	BHN-56 24-80AB HV L=5.25			
80 S4	4 Bolt	80.01mm	–	–	100mm	5/16-18	4.20	4.56	5.25	5147	BHN-56 04-80S HV L=5.25			
100 A2/B4	2(4)Bolt	101.01mm	140mm	1/2-13	125mm	3/8-16	4.20	4.18	5.25	5243	BHN-56 24-100AB H L=5.25			

- Notes:
- For Vertical Mount option, order Vertical Mount gasket UPC number 84527105238.
 - Vertical Mount option not available for SAE B or 100 A2/B4.
 - When referencing the Lovejoy Hydraulics UPC number in this table, include 8452710 as a prefix to the number shown.

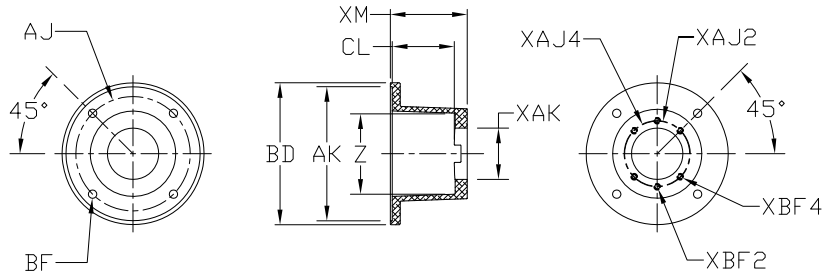
Pump / Motor Mounts

Horizontal (Vertical option) 182TC - 256TC

4.75 - 5.25 Inch / Item Selection

Motor End Data

AJ	BF	BD	AK
Bolt Circle	Bolt Hole	Motor Flange OD	Motor Pilot
7.25	17/32	9.00	8.501



4.75 Inch Face to Face

Frame Size: 182TC - 256TC

Horizontal Mounting (Vertical Mounting option - Installation 1)

Pump Flange / End Data

Mount Part Number

Pump Flange	XAK Pilot	Z	CL	XM Face to Face	UPC Number	Mount Type					
							2 Bolt		4 Bolt		
							Circle	Type	Circle	Type	
USA4F17	4 Bolt	1.782	-	-	2.84	5/16-18	4.40	4.00	4.75	5148	BHN-182 04-4F17 HV L=4.75
SAE AA	2 Bolt	2.001	3.25	3/8-16	-	-	4.40	4.00	4.75	5149	BHN-182 02-AA HV L=4.75
SAE A	2(4)Bolt	3.251	4.19	3/8-16	4.12	3/8-16	4.40	4.00	4.75	5150	BHN-182 24-A HV L=4.75
80 A2/B4	2(4)Bolt	80.01mm	109mm	3/8-16	103mm	5/16-18	4.40	4.00	4.75	5151	BHN-182 24-80AB HV L=4.75
80 S4	4 Bolt	80.01mm	-	-	100mm	5/16-18	4.40	4.00	4.75	5152	BHN-182 04-80S HV L=4.75

- Notes: ■ For Vertical Mount option, order Vertical Mount gasket UPC number 84527105239.
 ■ When referencing the Lovejoy Hydraulics UPC number in this table, include 8452710 as a prefix to the number shown.

5.00 Inch Face to Face

Frame Size: 182TC - 256TC

Horizontal Mounting (Vertical Mounting option - Installation 1)

Pump Flange / End Data

Mount Part Number

Pump Flange	XAK Pilot	Z	CL	XM Face to Face	UPC Number	Mount Type					
							2 Bolt		4 Bolt		
							Circle	Type	Circle	Type	
USA4F17	4 Bolt	1.782	-	-	2.84	5/16-18	4.40	4.31	5.00	5101	BHN-182 04-4F17 HV L=5.00
SAE AA	2 Bolt	2.001	3.25	3/8-16	-	-	4.40	4.31	5.00	5102	BHN-182 02-AA HV L=5.00
SAE A	2(4)Bolt	3.251	4.19	3/8-16	4.12	3/8-16	4.40	4.31	5.00	5103	BHN-182 24-A HV L=5.00
80 A2/B4	2(4)Bolt	80.01mm	109mm	3/8-16	103mm	5/16-18	4.40	4.31	5.00	5104	BHN-182 24-80AB HV L=5.00
80 S4	4 Bolt	80.01mm	-	-	100mm	5/16-18	4.40	4.31	5.00	5105	BHN-182 04-80S HV L=5.00

- Notes: ■ For Vertical Mount option, order Vertical Mount gasket UPC number 84527105239.
 ■ When referencing the Lovejoy Hydraulics UPC number in this table, include 8452710 as a prefix to the number shown.

5.25 Inch Face to Face

Frame Size: 182TC - 256TC

Horizontal Mounting (Vertical Mounting option - Installation 1)

Pump Flange / End Data

Mount Part Number

Pump Flange	XAK Pilot	Z	CL	XM Face to Face	UPC Number	Mount Type					
							2 Bolt		4 Bolt		
							Circle	Type	Circle	Type	
USA4F17	4 Bolt	1.782	-	-	2.84	5/16-18	4.40	4.31	5.25	5106	BHN-182 04-4F17 HV L=5.25
SAE AA	2 Bolt	2.001	3.25	3/8-16	-	-	4.40	4.31	5.25	5107	BHN-182 02-AA HV L=5.25
SAE A	2(4)Bolt	3.251	4.19	3/8-16	4.12	3/8-16	4.40	4.31	5.25	5108	BHN-182 24-A HV L=5.25
80 A2/B4	2(4)Bolt	80.01mm	109mm	3/8-16	103mm	5/16-18	4.40	4.31	5.25	5109	BHN-182 24-80AB HV L=5.25
80 S4	4 Bolt	80.01mm	-	-	100mm	5/16-18	4.40	4.31	5.25	5110	BHN-182 04-80S HV L=5.25

- Notes: ■ For Vertical Mount option, order Vertical Mount gasket UPC number 84527105239.
 ■ When referencing the Lovejoy Hydraulics UPC number in this table, include 8452710 as a prefix to the number shown.

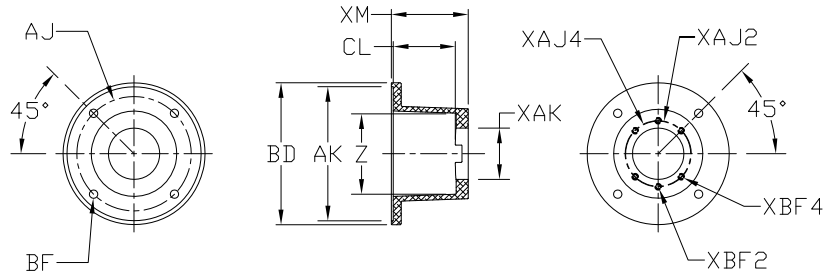
Pump / Motor Mounts

Horizontal (Vertical option) 182TC - 256TC

5.81- 6.81 Inch / Item Selection

Motor End Data

AJ	BF	BD	AK
Bolt Circle	Bolt Hole	Motor Flange OD	Motor Pilot
7.25	17/32	9.00	8.501



5.81 Inch Face to Face

Frame Size: 182TC - 256TC

Horizontal Mounting (Vertical Mounting option - Installation 1)

Pump Flange / End Data

Mount Part Number

Pump Flange	XAK Pilot	2 Bolt		4 Bolt		Z	CL	XM Face to Face	UPC Number	Mount Type	
		Circle	Type	Circle	Type						
		USA4F17	4 Bolt	1.782	—						—
SAE AA	2 Bolt	2.001	3.25	3/8-16	—	—	4.40	5.06	5.81	5112	BHN-182 02-AA HV L=5.81
SAE A	2(4)Bolt	3.251	4.19	3/8-16	4.12	3/8-16	4.40	5.06	5.81	5113	BHN-182 24-A HV L=5.81
80 A2/B4	2(4)Bolt	80.01mm	109mm	3/8-16	103mm	5/16-18	4.40	5.06	5.81	5114	BHN-182 24-80AB HV L=5.81
80 S4	4 Bolt	80.01mm	—	—	100mm	5/16-18	4.40	5.06	5.81	5115	BHN-182 04-80S HV L=5.81

- Notes: ■ For Vertical Mount option, order Vertical Mount gasket UPC number 84527105239.
 ■ When referencing the Lovejoy Hydraulics UPC number in this table, include 8452710 as a prefix to the number shown.

6.81 Inch Face to Face

Frame Size: 182TC - 256TC

Horizontal Mounting (Vertical Mounting option - Installation 1)

Pump Flange / End Data

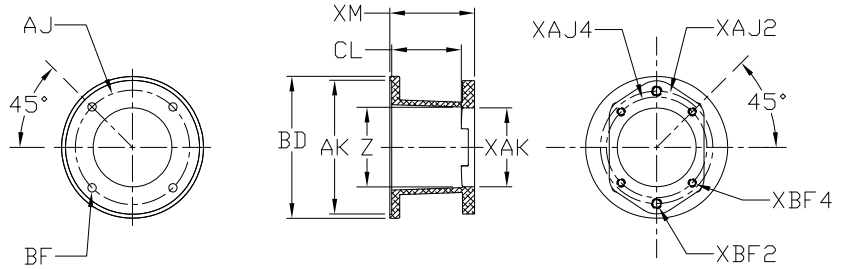
Mount Part Number

Pump Flange	XAK Pilot	2 Bolt		4 Bolt		Z	CL	XM Face to Face	UPC Number	Mount Type	
		Circle	Type	Circle	Type						
		USA4F17	4 Bolt	1.782	—						—
SAE AA	2 Bolt	2.001	3.25	3/8-16	—	—	4.40	6.06	6.81	5117	BHN-182 02-AA HV L=6.81
SAE A	2(4)Bolt	3.251	4.19	3/8-16	4.12	3/8-16	4.40	6.06	6.81	5118	BHN-182 24-A HV L=6.81
80 A2/B4	2(4)Bolt	80.01mm	109mm	3/8-16	103mm	5/16-18	4.40	6.06	6.81	5119	BHN-182 24-80AB HV L=6.81
80 S4	4 Bolt	80.01mm	—	—	100mm	5/16-18	4.40	6.06	6.81	5120	BHN-182 04-80S HV L=6.81

- Notes: ■ For Vertical Mount option, order Vertical Mount gasket UPC number 84527105239.
 ■ When referencing the Lovejoy Hydraulics UPC number in this table, include 8452710 as a prefix to the number shown.

Motor End Data

AJ Bolt Circle	BF Bolt Hole	BD Motor Flange OD	AK Motor Pilot
7.25	17/32	9.00	8.501



5.25 Inch Face to Face Frame Size: 182TC - 256TC Horizontal Mounting

Pump Flange / End Data

Mount Part Number

Pump Flange		XAK Pilot	2 Bolt		4 Bolt		Z	CL	XM Face to Face	UPC Number	Mount Type
SAE B	2(4)Bolt	4.001	Circle	Type	Circle	Type	5.00	4.50	5.25	5153	BHN-182 24-B H L=5.25
SAE C	2(4)Bolt	5.001	7.12	5/8-11	6.38	1/2-13	5.00	4.50	5.25	5154	BHN-182 24-C H L=5.25
100 A2/B4	2(4)Bolt	100.01mm	140mm	1/2-13	125mm	3/8-16	5.00	4.50	5.25	5155	BHN-182 24-100AB H L=5.25
125 A2/B4	2(4)Bolt	125.01mm	180mm	5/8-11	160mm	1/2-13	5.00	4.50	5.25	5156	BHN-182 24-125AB H L=5.25

Note: ■ When referencing the Lovejoy Hydraulics UPC number in this table, include 8452710 as a prefix to the number shown.

5.81 Inch Face to Face Frame Size: 182TC - 256TC Horizontal Mounting

Pump Flange / End Data

Mount Part Number

Pump Flange		XAK Pilot	2 Bolt		4 Bolt		Z	CL	XM Face to Face	UPC Number	Mount Type
SAE B	2(4)Bolt	4.001	Circle	Type	Circle	Type	5.00	5.06	5.81	5157	BHN-182 24-B H L=5.81
SAE C	2(4)Bolt	5.001	7.12	5/8-11	6.38	1/2-13	5.00	5.06	5.81	5158	BHN-182 24-C H L=5.81
100 A2/B4	2(4)Bolt	100.01mm	140mm	1/2-13	125mm	3/8-16	5.00	5.06	5.81	5159	BHN-182 24-100AB H L=5.81
125 A2/B4	2(4)Bolt	125.01mm	180mm	5/8-11	160mm	1/2-13	5.00	5.06	5.81	5160	BHN-182 24-125AB H L=5.81

Note: ■ When referencing the Lovejoy Hydraulics UPC number in this table, include 8452710 as a prefix to the number shown.

6.00 Inch Face to Face Frame Size: 182TC - 256TC Horizontal Mounting

Pump Flange / End Data

Mount Part Number

Pump Flange		XAK Pilot	2 Bolt		4 Bolt		Z	CL	XM Face to Face	UPC Number	Mount Type
SAE B	2(4)Bolt	4.001	Circle	Type	Circle	Type	5.00	5.25	6.00	5161	BHN-182 24-B H L=6.00
SAE C	2(4)Bolt	5.001	7.12	5/8-11	6.38	1/2-13	5.00	5.25	6.00	5162	BHN-182 24-C H L=6.00
100 A2/B4	2(4)Bolt	100.01mm	140mm	1/2-13	125mm	3/8-16	5.00	5.25	6.00	5163	BHN-182 24-100AB H L=6.00
125 A2/B4	2(4)Bolt	125.01mm	180mm	5/8-11	160mm	1/2-13	5.00	5.25	6.00	5164	BHN-182 24-125AB H L=6.00

Note: ■ When referencing the Lovejoy Hydraulics UPC number in this table, include 8452710 as a prefix to the number shown.



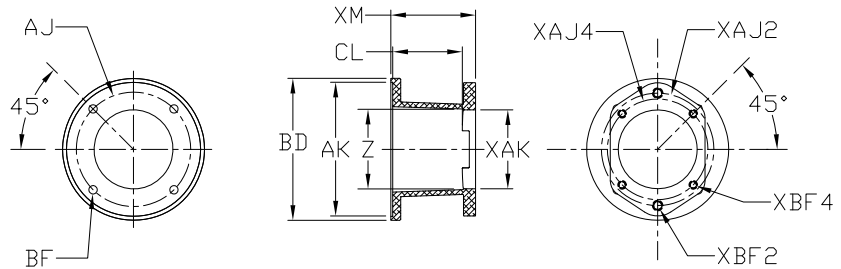
Pump / Motor Mounts

Horizontal 182TC - 256TC

6.81- 7.00 Inch / Item Selection

Motor End Data

AJ	BF	BD	AK
Bolt Circle	Bolt Hole	Motor Flange OD	Motor Pilot
7.25	17/32	9.00	8.501



6.81 Inch Face to Face

Frame Size: 182TC - 256TC

Horizontal Mounting

Pump Flange / End Data

Mount Part Number

Pump Flange	XAK Pilot	XAJ2 2 Bolt Circle	XBF2 2 Bolt Type	XAJ4 4 Bolt		Z	CL	XM Face to Face	UPC Number	Mount Type	
				Circle	Type						
SAE B	2(4)Bolt	4.001	5.75	1/2-13	5.00	1/2-13	5.00	6.06	6.81	5165	BHN-182 24-B H L=6.81
SAE C	2(4)Bolt	5.001	7.12	5/8-11	6.38	1/2-13	5.00	6.06	6.81	5166	BHN-182 24-C H L=6.81
100 A2/B4	2(4)Bolt	100.01mm	140mm	1/2-13	125mm	3/8-16	5.00	6.06	6.81	5167	BHN-182 24-100AB H L=6.81
125 A2/B4	2(4)Bolt	125.01mm	180mm	5/8-11	160mm	1/2-13	5.00	6.06	6.81	5168	BHN-182 24-125AB H L=6.81

Note: ■ When referencing the Lovejoy Hydraulics UPC number in this table, include 8452710 as a prefix to the number shown.

7.00 Inch Face to Face

Frame Size: 182TC - 256TC

Horizontal Mounting

Pump Flange / End Data

Mount Part Number

Pump Flange	XAK Pilot	XAJ2 2 Bolt Circle	XBF2 2 Bolt Type	XAJ4 4 Bolt		Z	CL	XM Face to Face	UPC Number	Mount Type	
				Circle	Type						
SAE B	2(4)Bolt	4.001	5.75	1/2-13	5.00	1/2-13	5.00	6.25	7.00	5169	BHN-182 24-B H L=7.00
SAE C	2(4)Bolt	5.001	7.12	5/8-11	6.38	1/2-13	5.00	6.25	7.00	5170	BHN-182 24-C H L=7.00
100 A2/B4	2(4)Bolt	100.01mm	140mm	1/2-13	125mm	3/8-16	5.00	6.25	7.00	5171	BHN-182 24-100AB H L=7.00
125 A2/B4	2(4)Bolt	125.01mm	180mm	5/8-11	160mm	1/2-13	5.00	6.25	7.00	5172	BHN-182 24-125AB H L=7.00

Note: ■ When referencing the Lovejoy Hydraulics UPC number in this table, include 8452710 as a prefix to the number shown.

Pump / Motor Mounts

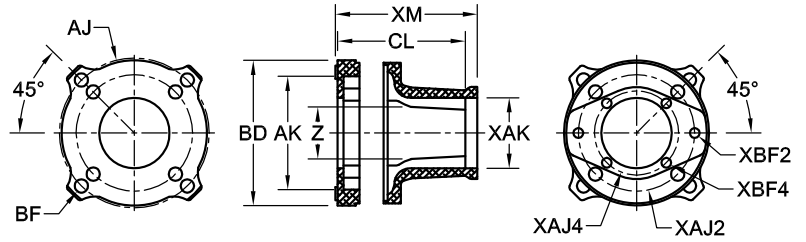
Horizontal 284TC - 405TSC

6.87 - 8.75 Inch / Item Selection

Horizontal 284TC/TCS - 286TC/TCS

Motor End Data

AJ Bolt Circle	BF Bolt Hole	BD Motor Flange OD	AK Motor Pilot
9.00	9/16	11.00	10.500



6.87 Inch Face to Face

Frame Size: 284TC/TCS - 286TC/TCS

Horizontal Mounting

Pump Flange / End Data

Mount Part Number

Pump Flange	XAK Pilot	2 Bolt		4 Bolt		Z	CL	XM Face to Face	UPC Number	Mount Type	
		Circle	Type	Circle	Type						
SAE B	2(4) Bolt	4.00	5.75	1/2-13	5.00	1/2-13	4.85	6.00	6.87	3286	BHN-284 24-B H L=6.87
SAE C	2 Bolt	5.00	7.12	5/8-11	-	-	4.80	6.87	6.87	3287	BHN-284 02-C H L=6.87

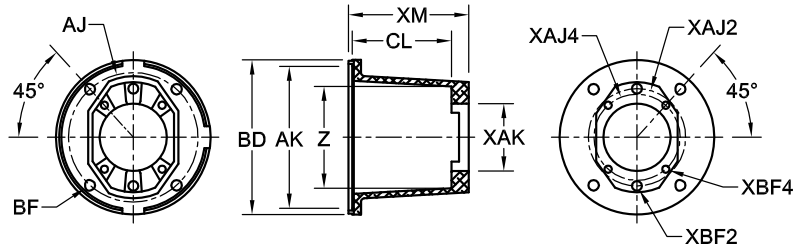
Notes: ■ Two piece bell housing - all hardware included.

■ When referencing the Lovejoy Hydraulics UPC number in this table, include 8452710 as a prefix to the number shown.

Horizontal 324TSC - 405TSC

Motor End Data

AJ Bolt Circle	BF Bolt Hole	BD Motor Flange OD	AK Motor Pilot
11.00	21/32	13.00	12.500



7.06 Inch Face to Face

Frame Size: 324TSC - 405TSC

Horizontal Mounting

Pump Flange / End Data

Mount Part Number

Pump Flange	XAK Pilot	2 Bolt		4 Bolt		Z	CL	XM Face to Face	UPC Number	Mount Type	
		Circle	Type	Circle	Type						
SAE B	2(4) Bolt	4.00	5.75	1/2-13	5.00	1/2-13	5.50	5.80	7.06	3288	BHN-324 24-B H L=7.06
SAE C	2(4) Bolt	5.00	7.12	5/8-11	6.38	1/2-13	5.50	5.80	7.06	3289	BHN-324 24-C H L=7.06

Note: ■ When referencing the Lovejoy Hydraulics UPC number in this table, include 8452710 as a prefix to the number shown.

8.75 Inch Face to Face

Frame Size: 324TSC - 405TSC

Horizontal Mounting

Pump Flange / End Data

Mount Part Number

Pump Flange	XAK Pilot	2 Bolt		4 Bolt		Z	CL	XM Face to Face	UPC Number	Mount Type	
		Circle	Type	Circle	Type						
SAE B	2(4) Bolt	4.00	5.75	1/2-13	5.00	1/2-13	5.50	7.85	8.75	3290	BHN-324 24-B H L=8.75
SAE C	2(4) Bolt	5.00	7.12	5/8-11	6.38	1/2-13	5.50	7.80	8.75	3291	BHN-324 24-C H L=8.75

Note: ■ When referencing the Lovejoy Hydraulics UPC number in this table, include 8452710 as a prefix to the number shown.

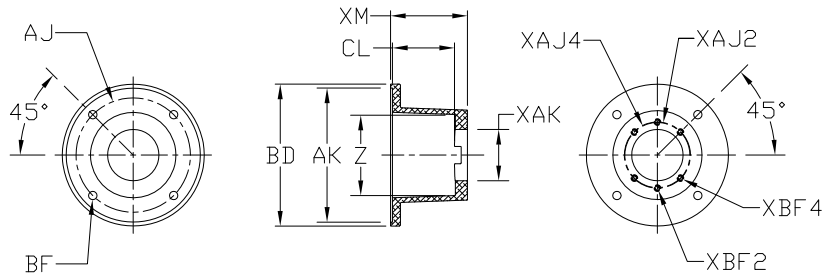
Pump / Motor Mounts

Vertical 56C, 143TC / 145TC

3.50 - 4.50 Inch / Item Selection

Motor End Data

AJ	BF	BD	AK
Bolt Circle	Bolt Hole	Motor Flange OD	Motor Pilot
5.88	7/16	6.81	4.501



3.50 Inch Face to Face
Frame Size: 56C, 143TC / 145TC
Vertical Mounting - Installation 2

Pump Flange / End Data

Mount Part Number

Pump Flange	XAK Pilot	Z	CL	XM Face to Face	UPC Number	Mount Type					
							2 Bolt		4 Bolt		
							Circle	Type	Circle	Type	
USA4F17	4 Bolt	1.782	-	-	2.84	5/16-18	4.20	2.81	3.50	5173	BHN-56 04-4F17 V2 L=3.50
SAE AA	2 Bolt	2.001	3.25	3/8-16	-	-	4.20	2.81	3.50	5174	BHN-56 02-AA V2 L=3.50
SAE A	2(4) Bolt	3.251	4.19	3/8-16	4.12	3/8-16	4.20	2.81	3.50	5175	BHN-56 24-A V2 L=3.50
80 A2/B4	2(4) Bolt	80.01mm	109mm	3/8-16	103mm	5/16-18	4.20	2.81	3.50	5176	BHN-56 24-80AB V2 L=3.50
80 S4	4 Bolt	80.01mm	-	-	100mm	5/16-18	4.20	2.81	3.50	5177	BHN-56 04-80S V2 L=3.50

Note: ■ When referencing the Lovejoy Hydraulics UPC number in this table, include 8452710 as a prefix to the number shown.

4.25 Inch Face to Face
Frame Size: 56C, 143TC / 145TC
Vertical Mounting - Installation 2

Pump Flange / End Data

Mount Part Number

Pump Flange	XAK Pilot	Z	CL	XM Face to Face	UPC Number	Mount Type					
							2 Bolt		4 Bolt		
							Circle	Type	Circle	Type	
USA4F17	4 Bolt	1.782	-	-	2.84	5/16-18	4.20	3.56	4.25	5178	BHN-56 04-4F17 V2 L=4.25
SAE AA	2 Bolt	2.001	3.25	3/8-16	-	-	4.20	3.56	4.25	5179	BHN-56 02-AA V2 L=4.25
SAE A	2(4) Bolt	3.251	4.19	3/8-16	4.12	3/8-16	4.20	3.56	4.25	5180	BHN-56 24-A V2 L=4.25
80 A2/B4	2(4) Bolt	80.01mm	109mm	3/8-16	103mm	5/16-18	4.20	3.56	4.25	5181	BHN-56 24-80AB V2 L=4.25
80 S4	4 Bolt	80.01mm	-	-	100mm	5/16-18	4.20	3.56	4.25	5182	BHN-56 04-80S V2 L=4.25

Note: ■ When referencing the Lovejoy Hydraulics UPC number in this table, include 8452710 as a prefix to the number shown.

4.50 Inch Face to Face
Frame Size: 56C, 143TC / 145TC
Vertical Mounting - Installation 2

Pump Flange / End Data

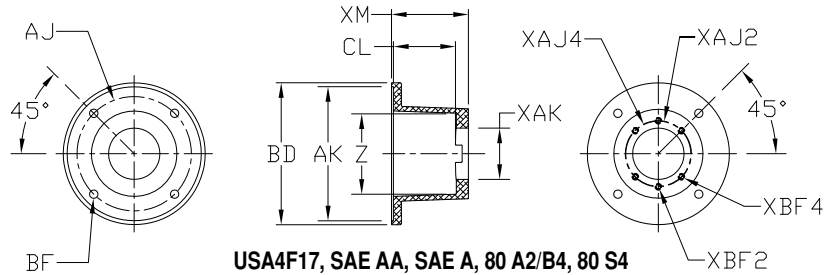
Mount Part Number

Pump Flange	XAK Pilot	Z	CL	XM Face to Face	UPC Number	Mount Type					
							2 Bolt		4 Bolt		
							Circle	Type	Circle	Type	
USA4F17	4 Bolt	1.782	-	-	2.84	5/16-18	4.20	3.81	4.50	5183	BHN-56 04-4F17 V2 L=4.50
SAE AA	2 Bolt	2.001	3.25	3/8-16	-	-	4.20	3.81	4.50	5184	BHN-56 02-AA V2 L=4.50
SAE A	2(4) Bolt	3.251	4.19	3/8-16	4.12	3/8-16	4.20	3.81	4.50	5185	BHN-56 24-A V2 L=4.50
80 A2/B4	2(4) Bolt	80.01mm	109mm	3/8-16	103mm	5/16-18	4.20	3.81	4.50	5186	BHN-56 24-80AB V2 L=4.50
80 S4	4 Bolt	80.01mm	-	-	100mm	5/16-18	4.20	3.81	4.50	5187	BHN-56 04-80S V2 L=4.50

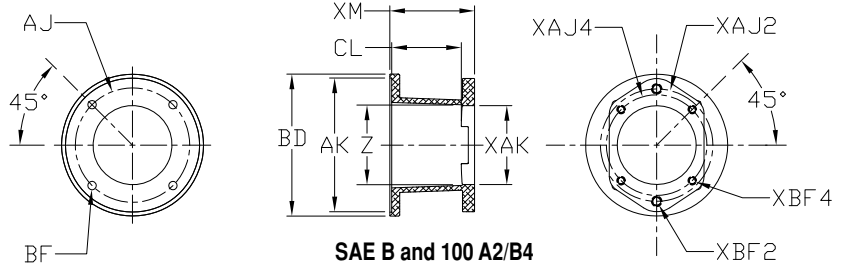
Note: ■ When referencing the Lovejoy Hydraulics UPC number in this table, include 8452710 as a prefix to the number shown.

Motor End Data

AJ Bolt Circle	BF Bolt Hole	BD Motor Flange OD	AK Motor Pilot
5.88	7/16	6.81	4.501



USA4F17, SAE AA, SAE A, 80 A2/B4, 80 S4



SAE B and 100 A2/B4

5.00 Inch Face to Face Frame Size: 56C, 143TC / 145TC Vertical Mounting - Installation 2

Pump Flange / End Data

Mount Part Number

Pump Flange	XAK Pilot	Z	CL	XM Face to Face	UPC Number	Mount Type	Mount Part Number				
							2 Bolt		4 Bolt		
							Circle	Type	Circle	Type	
USA4F17	4 Bolt	1.782	-	-	2.84	5/16-18	4.20	4.31	5.00	5188	BHN-56 04-4F17 V2 L=5.00
SAE AA	2 Bolt	2.001	3.25	3/8-16	-	-	4.20	4.31	5.00	5189	BHN-56 02-AA V2 L=5.00
SAE A	2(4) Bolt	3.251	4.19	3/8-16	4.12	3/8-16	4.20	4.31	5.00	5190	BHN-56 24-A V2 L=5.00
SAE B	2(4) Bolt	4.001	5.75	1/2-13	5.00	1/2-13	4.20	3.93	5.00	5191	BHN-56 24-B V2 L=5.00
80 A2/B4	2(4) Bolt	80.01mm	109mm	3/8-16	103mm	5/16-18	4.20	4.31	5.00	5192	BHN-56 24-80AB V2 L=5.00
80 S4	4 Bolt	80.01mm	-	-	100mm	5/16-18	4.20	4.31	5.00	5193	BHN-56 04-80S V2 L=5.00
100 A2/B4	2(4) Bolt	101.01mm	140mm	1/2-13	125mm	3/8-16	4.20	3.93	5.00	5194	BHN-56 24-100AB V2 L=5.00

Note: ■ When referencing the Lovejoy Hydraulics UPC number in this table, include 8452710 as a prefix to the number shown.

5.25 Inch Face to Face Frame Size: 56C, 143TC / 145TC Vertical Mounting - Installation 2

Pump Flange / End Data

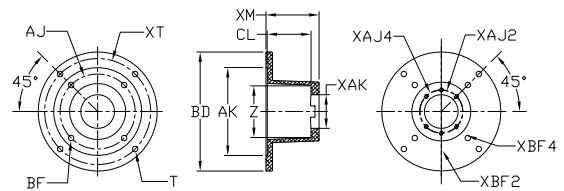
Mount Part Number

Pump Flange	XAK Pilot	Z	CL	XM Face to Face	UPC Number	Mount Type	Mount Part Number				
							2 Bolt		4 Bolt		
							Circle	Type	Circle	Type	
USA4F17	4 Bolt	1.782	-	-	2.84	5/16-18	4.20	4.56	5.25	5195	BHN-56 04-4F17 V2 L=5.25
SAE AA	2 Bolt	2.001	3.25	3/8-16	-	-	4.20	4.56	5.25	5196	BHN-56 02-AA V2 L=5.25
SAE A	2(4) Bolt	3.251	4.19	3/8-16	4.12	3/8-16	4.20	4.56	5.25	5197	BHN-56 24-A V2 L=5.25
SAE B	2(4) Bolt	4.001	5.75	1/2-13	5.00	1/2-13	4.20	4.18	5.25	5198	BHN-56 24-B V2 L=5.25
80 A2/B4	2(4) Bolt	80.01mm	109mm	3/8-16	103mm	5/16-18	4.20	4.56	5.25	5199	BHN-56 24-80AB V2 L=5.25
80 S4	4 Bolt	80.01mm	-	-	100mm	5/16-18	4.20	4.56	5.25	5200	BHN-56 04-80S V2 L=5.25
100 A2/B4	2(4) Bolt	101.01mm	140mm	1/2-13	125mm	3/8-16	4.20	4.18	5.25	5201	BHN-56 24-100AB V2 L=5.25

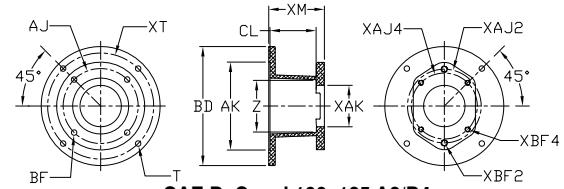
Note: ■ When referencing the Lovejoy Hydraulics UPC number in this table, include 8452710 as a prefix to the number shown.

Motor End Data

AJ Motor Bolt Circle	BF Motor Bolt Hole	BD Motor Flange OD	AK Motor Pilot	XT Flange Bolt Circle	T Flange Bolt Hole
7.25	17/32	11.50	8.501	10.25	17/32



USA4F17, SAE AA, SAE A, 80 A2/B4, 80 S4



SAE B, C and 100, 125 A2/B4

5.00 Inch Face to Face

Frame Size: 182TC - 256TC Vertical Mounting - Installation 3

Pump Flange / End Data

Pump Flange	XAK Pilot	XAJ2		XBF2		XAJ4		XBF4		Z	CL	XM Face to Face	UPC Number	Mount Type
		2 Bolt		4 Bolt		2 Bolt		4 Bolt						
		Circle	Type	Circle	Type	Circle	Type	Circle	Type					
USA4F17	4 Bolt	1.782	-	-	2.84	5/16-18	5.00	4.31	5.00	4.31	5.00	5202	BHN-182 04-4F17 V3 L=5.00	
SAE AA	2 Bolt	2.001	3.25	3/8-16	-	-	5.00	4.31	5.00	4.31	5.00	5203	BHN-182 02-AA V3 L=5.00	
SAE A	2(4) Bolt	3.251	4.19	3/8-16	4.12	3/8-16	5.00	4.31	5.00	4.31	5.00	5204	BHN-182 24-A V3 L=5.00	
80 A2/B4	2(4) Bolt	80.01mm	109mm	3/8-16	103mm	5/16-18	5.00	4.31	5.00	4.31	5.00	5205	BHN-182 24-80AB V3 L=5.00	
80 S4	4 Bolt	80.01mm	-	-	100mm	5/16-18	5.00	4.31	5.00	4.31	5.00	5206	BHN-182 04-80S V3 L=5.00	

Note: ■ When referencing the Lovejoy Hydraulics UPC number in this table, include 8452710 as a prefix to the number shown.

5.25 Inch Face to Face

Frame Size: 182TC - 256TC Vertical Mounting - Installation 3

Pump Flange / End Data

Pump Flange	XAK Pilot	XAJ2		XBF2		XAJ4		XBF4		Z	CL	XM Face to Face	UPC Number	Mount Type
		2 Bolt		4 Bolt		2 Bolt		4 Bolt						
		Circle	Type	Circle	Type	Circle	Type	Circle	Type					
USA4F17	4 Bolt	1.782	-	-	2.84	5/16-18	5.00	4.31	5.25	4.31	5.25	5207	BHN-182 04-4F17 V3 L=5.25	
SAE AA	2 Bolt	2.001	3.25	3/8-16	-	-	5.00	4.31	5.25	4.31	5.25	5208	BHN-182 02-AA V3 L=5.25	
SAE A	2(4) Bolt	3.251	4.19	3/8-16	4.12	3/8-16	5.00	4.31	5.25	4.31	5.25	5209	BHN-182 24-A V3 L=5.25	
SAE B	2(4) Bolt	4.001	5.75	1/2-13	5.00	1/2-13	5.00	4.50	5.25	4.50	5.25	5210	BHN-182 24-B V3 L=5.25	
SAE C	2(4) Bolt	5.001	7.12	5/8-11	6.38	1/2-13	5.00	4.50	5.25	4.50	5.25	5211	BHN-182 24-C V3 L=5.25	
80 A2/B4	2(4) Bolt	80.01mm	109mm	3/8-16	103mm	5/16-18	5.00	4.31	5.25	4.31	5.25	5212	BHN-182 24-80AB V3 L=5.25	
80 S4	4 Bolt	80.01mm	-	-	100mm	5/16-18	5.00	4.31	5.25	4.31	5.25	5213	BHN-182 04-80S V3 L=5.25	
100 A2/B4	2(4) Bolt	100.01mm	140mm	1/2-13	125mm	3/8-16	5.00	4.50	5.25	4.50	5.25	5214	BHN-182 24-100AB V3 L=5.25	
125 A2/B4	2(4) Bolt	125.01mm	180mm	5/8-11	160mm	1/2-13	5.00	4.50	5.25	4.50	5.25	5215	BHN-182 24-125AB V3 L=5.25	

Note: ■ When referencing the Lovejoy Hydraulics UPC number in this table, include 8452710 as a prefix to the number shown.

5.81 Inch Face to Face

Frame Size: 182TC - 256TC Vertical Mounting - Installation 3

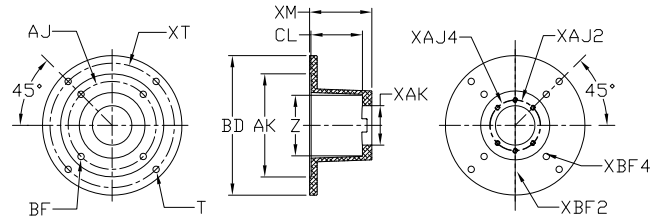
Pump Flange / End Data

Pump Flange	XAK Pilot	XAJ2		XBF2		XAJ4		XBF4		Z	CL	XM Face to Face	UPC Number	Mount Type
		2 Bolt		4 Bolt		2 Bolt		4 Bolt						
		Circle	Type	Circle	Type	Circle	Type	Circle	Type					
USA4F17	4 Bolt	1.782	-	-	2.84	5/16-18	5.00	5.06	5.81	5.06	5.81	5216	BHN-182 04-4F17 V3 L=5.81	
SAE AA	2 Bolt	2.001	3.25	3/8-16	-	-	5.00	5.06	5.81	5.06	5.81	5217	BHN-182 02-AA V3 L=5.81	
SAE A	2(4) Bolt	3.251	4.19	3/8-16	4.12	3/8-16	5.00	5.06	5.81	5.06	5.81	5218	BHN-182 24-A V3 L=5.81	
SAE B	2(4) Bolt	4.001	5.75	1/2-13	5.00	1/2-13	5.00	5.06	5.81	5.06	5.81	5219	BHN-182 24-B V3 L=5.81	
SAE C	2(4) Bolt	5.001	7.12	5/8-11	6.38	1/2-13	5.00	5.06	5.81	5.06	5.81	5220	BHN-182 24-C V3 L=5.81	
80 A2/B4	2(4) Bolt	80.01mm	109mm	3/8-16	103mm	5/16-18	5.00	5.06	5.81	5.06	5.81	5221	BHN-182 24-80AB V3 L=5.81	
80 S4	4 Bolt	80.01mm	-	-	100mm	5/16-18	5.00	5.06	5.81	5.06	5.81	5222	BHN-182 04-80S V3 L=5.81	
100 A2/B4	2(4) Bolt	100.01mm	140mm	1/2-13	125mm	3/8-16	5.00	5.06	5.81	5.06	5.81	5223	BHN-182 24-100AB V3 L=5.81	
125 A2/B4	2(4) Bolt	125.01mm	180mm	5/8-11	160mm	1/2-13	5.00	5.06	5.81	5.06	5.81	5224	BHN-182 24-125AB V3 L=5.81	

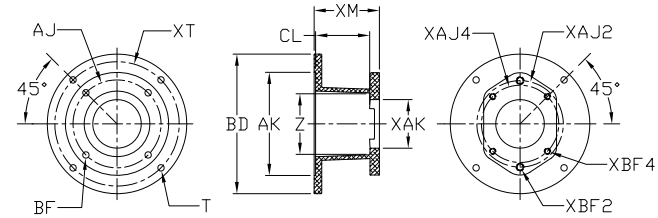
Note: ■ When referencing the Lovejoy Hydraulics UPC number in this table, include 8452710 as a prefix to the number shown.

Motor End Data

AJ Motor Bolt Circle	BF Motor Bolt Hole	BD Motor Flange OD	AK Motor Pilot	XT Flange Bolt Circle	T Flange Bolt Hole
7.25	17/32	11.50	8.501	10.25	17/32



USA4F17, SAE AA, SAE A, 80 A2/B4, 80 S4



SAE B, C and 100, 125 A2/B4

6.81 Inch Face to Face

Frame Size: 182TC - 256TC

Vertical Mounting - Installation 3

Pump Flange / End Data

Mount Part Number

Pump Flange	XAK Pilot	XAJ2		XBF2		XAJ4		XBF4		Z	CL	XM Face to Face	UPC Number	Mount Type
		2 Bolt		4 Bolt										
		Circle	Type	Circle	Type									
USA4F17 4 Bolt	1.782	—	—	2.84	5/16-18	5.00	6.06	6.81	5225	BHN-182 04-4F17 V3 L=6.81				
SAE AA 2 Bolt	2.001	3.25	3/8-16	—	—	5.00	6.06	6.81	5226	BHN-182 02-AA V3 L=6.81				
SAE A 2(4)Bolt	3.251	4.19	3/8-16	4.12	3/8-16	5.00	6.06	6.81	5227	BHN-182 24-A V3 L=6.81				
SAE B 2(4)Bolt	4.001	5.75	1/2-13	5.00	1/2-13	5.00	6.06	6.81	5228	BHN-182 24-B V3 L=6.81				
SAE C 2(4)Bolt	5.001	7.12	5/8-11	6.38	1/2-13	5.00	6.06	6.81	5229	BHN-182 24-C V3 L=6.81				
80 A2/B4 2(4)Bolt	80.01mm	109mm	3/8-16	103mm	5/16-18	5.00	6.06	6.81	5230	BHN-182 24-80AB V3 L=6.81				
80 S4 4 Bolt	80.01mm	—	—	100mm	5/16-18	5.00	6.06	6.81	5231	BHN-182 04-80S V3 L=6.81				
100 A2/B4 2(4)Bolt	100.01mm	140mm	1/2-13	125mm	3/8-16	5.00	6.06	6.81	5232	BHN-182 24-100AB V3 L=6.81				
125 A2/B4 2(4)Bolt	125.01mm	180mm	5/8-11	160mm	1/2-13	5.00	6.06	6.81	5233	BHN-182 24-125AB V3 L=6.81				

Note: ■ When referencing the Lovejoy Hydraulics UPC number in this table, include 8452710 as a prefix to the number shown.

7.00 Inch Face to Face

Frame Size: 182TC - 256TC

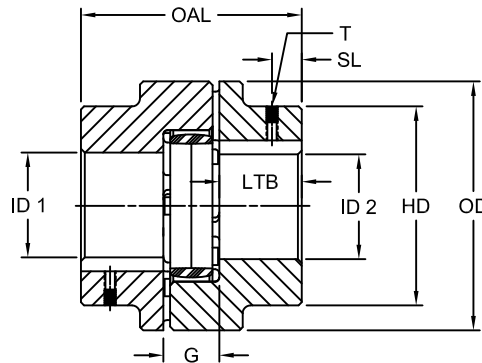
Vertical Mounting - Installation 3

Pump Flange / End Data

Mount Part Number

Pump Flange	XAK Pilot	XAJ2		XBF2		XAJ4		XBF4		Z	CL	XM Face to Face	UPC Number	Mount Type
		2 Bolt		4 Bolt										
		Circle	Type	Circle	Type									
SAE B 2(4)Bolt	4.001	5.75	1/2-13	5.00	1/2-13	5.00	6.25	7.00	5234	BHN-182 24-B V3 L=7.00				
SAE C 2(4)Bolt	5.001	7.12	5/8-11	6.38	1/2-13	5.00	6.25	7.00	5235	BHN-182 24-C V3 L=7.00				
100 A2/B4 2(4)Bolt	100.01mm	140mm	1/2-13	125mm	3/8-16	5.00	6.25	7.00	5236	BHN-182 24-100AB V3 L=7.00				
125 A2/B4 2(4)Bolt	125.01mm	180mm	5/8-11	160mm	1/2-13	5.00	6.25	7.00	5237	BHN-182 24-125AB V3 L=7.00				

Note: ■ When referencing the Lovejoy Hydraulics UPC number in this table, include 8452710 as a prefix to the number shown.



LH Coupling Dimensional Data

Size	OAL Overall Length in	ID1 - ID2 Max Bore in	OD Outside Diameter in	HD Hub Diameter in	Length of OD Turn Down in	G Gap in	LTB Length Through Bore in	SL Setscrew Location in	Setscrew Torque in-lbs	T Setscrew Size in
LH100	2.54	1-1/8	2.56	1.89	0.60	0.79	0.875	0.31	32-36	1/4-20
LH200	3.10	1-3/8	3.15	2.60	0.77	0.94	1.080	0.38	32-36	1/4-20
LH300	3.56	1-5/8	3.74	2.95	0.88	1.02	1.270	0.44	150-165	5/16-18
LH400	4.24	1-7/8	4.13	3.35	1.14	1.10	1.570	0.50	150-165	5/16-18
LH500	4.67	2-3/8	5.31	4.53	1.09	1.18	1.745	0.50	150-165	5/16-18
LH600	5.98	2-5/8	6.30	5.31	1.58	1.38	2.300	0.75	260-290	3/8-16
LH700	6.99	2-7/8	7.87	6.30	1.87	1.57	2.710	0.88	260-290	3/8-16
LH800	7.99	3-7/8	8.86	7.87	2.18	1.77	3.110	1.00	260-290	3/8-16
LH900	10.15	4-3/4	10.04	9.06	3.05	2.17	3.990	1.50	540-600	1/2-13

LH Coupling Performance Data

Size	ID1 - ID2 Max Bore in	80A Shore Insert Nomial Torque		92A Shore Insert Nomial Torque		95/98A Shore Insert Nomial Torque		64D Shore Insert Nomial Torque	
		in-lbs	Nm	in-lbs	Nm	in-lbs	Nm	in-lbs	Nm
LH100	1-1/8	338	38	665	75	1,120	127	1,400	158
LH200	1-7/16	807	91	1,650	186	2,850	322	3,550	401
LH300	1-3/4	-	-	2,345	265	3,980	450	4,955	560
LH400	2	-	-	2,740	310	4,645	525	5,795	655
LH500	2-5/8	-	-	5,530	625	8,320	940	10,395	1 174
LH600	3-1/8	-	-	11,320	1 279	16,990	1 920	21,240	2 400
LH700	3-7/8	-	-	21,000	2 373	31,500	3 559	39,500	4 463
LH800	4-3/8	-	-	29,200	3 299	43,805	4 949	54,735	6 184
LH900	4-15/16	-	-	42,480	4 799	63,720	7 199	79,650	8 999

Lovejoy offers additional coupling styles that may provide further advantages and can be reviewed with your Lovejoy Sales Representative or found on Lovejoy's website at www.lovejoy-inc.com.



Product Warranty

Lovejoy, Inc. warrants all products it manufactures to be free from defects in material and workmanship at the time of delivery to the purchaser. Defective products may be returned to Lovejoy after inspection by the purchaser and upon receipt from Lovejoy of shipping instructions specific to the defective products authorized by Lovejoy to be returned. Products returned in accordance with the foregoing procedure will be replaced or repaired, at the option of Lovejoy, without charge and returned to the purchaser F.O.B. Downers Grove, Illinois or South Haven, Michigan, depending upon origin of manufacture. In all cases, transportation costs and charges for returned products shall be paid by the purchaser and Lovejoy hereby disclaims all responsibility for any and all such transportation costs and charges.

This warranty is subject to the following LIMITATIONS:

The purchaser's exclusive remedy under this warranty is limited to the repair or replacement of defective products supplied by Lovejoy, as set forth above. LOVEJOY IS NOT RESPONSIBLE FOR ANY SPECIAL, INCIDENTAL OR CONSEQUENTIAL DAMAGES RESULTING FROM THE BREACH OF THIS OR ANY OTHER EXPRESS OR IMPLIED WARRANTY WITH RESPECT TO THE PRODUCTS, WHETHER ARISING IN TORT OR BY CONTRACT. LOVEJOY FURTHER DISCLAIMS ALL LIABILITY FROM PERSONAL INJURY RELATING TO ITS PRODUCTS TO THE EXTENT PERMITTED BY LAW. BY ACCEPTANCE OF ANY OF LOVEJOY'S PRODUCTS, THE PURCHASER ASSUMES ALL LIABILITY FOR THE CONSEQUENCES ARISING FROM THEIR USE OR MISUSE.

This express warranty is the only warranty applicable to this transaction. IT EXCLUDES ALL OTHER EXPRESS ORAL OR WRITTEN WARRANTIES AND ALL WARRANTIES IMPLIED BY LAW WITH RESPECT TO THE PRODUCTS, INCLUDING ANY WARRANTIES OF MERCHANTABILITY OR FITNESS FOR A PARTICULAR PURPOSE.

Every claim under this warranty shall be deemed waived by the purchaser unless made in writing within one (1) year of the receipt of the products to which such claim relates. This warranty is void in the event that repairs are made by anyone other than Lovejoy without prior authorization from Lovejoy. No person, firm or corporation is authorized to assume for Lovejoy any other liability in connection with the sale of its products. No person, firm or corporation is authorized to modify or waive the terms of this Warranty unless done in writing and signed by a duly authorized agent of Lovejoy.

Note: Specifications are subject to change without notice, and without liability therefor.

Lovejoy's Hydraulic Products



Aluminum Tanks /
Reservoirs and Accessories



Water-Oil Coolers



Pump / Motor Mounts



Couplings for Hydraulics



THE FPDA
MOTION & CONTROL NETWORK
MEMBER



ISO 9001:2008 Certified

Lovejoy, Inc. World Headquarters

2655 Wisconsin Avenue
Downers Grove, IL 60515 U.S.A.
Phone: 630-852-0500
Fax: 630-852-2120
hydraulicsinfo@lovejoy-inc.com

Raja-Lovejoy GmbH

Friedrichstrasse 6
D-58791 Werdohl
Germany
Phone +49 (0) 23 39 / 5 09-0
Fax +49 (0) 23 92 / 5 09-509
info@raja-lovejoy.com
www.raja-lovejoy.com

Lovejoy Canada

171 Superior Boulevard
Mississauga, Ontario
Canada L5T 2L6
Phone: 905-670-9421
Fax: 905-670-4594
lovejoycanada@lovejoy-inc.com

Other Lovejoy Affiliates:

Lovejoy Sintered Solutions LLC

Manufacturer of made-to-order powder metal components
www.lovejoy-LSS.com

www.lovejoyhydraulics.com

Lovejoy® is a registered trademark of Lovejoy, Inc. All other trademarks, brands, and names mentioned in this publication are property of their respective owners.