

Magnescale

Digital Readout General Catalog

SPEED X PRECISION



Magnescale

SPEED X PRECISION

Digital Readout

Magnescale Co., Ltd.

Shinagawa Intercity Tower A-18F, 2-15-1, Konan, Minato-ku, Tokyo 108-6018, JAPAN

Headquarters : 45 Suzukawa, Isehara-shi, Kanagawa 259-1146, JAPAN

Tokyo Office : Shinagawa Intercity Tower A-18F, 2-15-1, Konan, Minato-ku, Tokyo 108-6018, JAPAN

Nagoya Office : 2-35-16, Meieki, Nakamura-ku, Nagoya Aichi, 450-0002, JAPAN

Osaka Office : 2-14-6, Nishi-Nakajima, Yodogawa-ku, Osaka 532-0011, JAPAN

International Sales Department : 45 Suzukawa, Isehara-shi, Kanagawa 259-1146, JAPAN

Magnescale Americas Inc. : 5740 Warland Drive, Cypress, CA 90630, USA

Magnescale Europe GmbH : Antoniusstrasse 14, 73249 Wernau, Germany

TEL.+81(0)463-92-1011 FAX.+81(0)463-92-1012

TEL.+81(0)3-5460-3574 FAX.+81(0)3-5460-9614

TEL.+81(0)52-587-1823 FAX.+81(0)52-587-1848

TEL.+81(0)6-6305-3101 FAX.+81(0)6-6304-6586

TEL.+81(0)463-92-7971 FAX.+81(0)463-92-7978

TEL.+1(562)594-5060 FAX.+1(562)594-5061

TEL.+49(0)7153 934 291 FAX.+49(0)7153 934 299

<http://www.mgscale.com>

The contents of this literature are as of Jul. 2011

This catalog is printed with soy ink.

MGS-DR-1107-EN-C

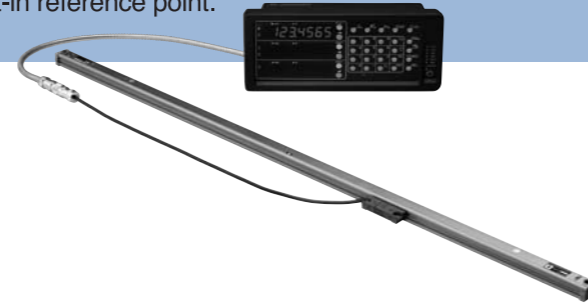
Magnescale Co., Ltd.

GB

GB-ER SERIES (SR138R)

The GB-ER series combines original Magnescale technology and legendary durability with a built-in reference point.

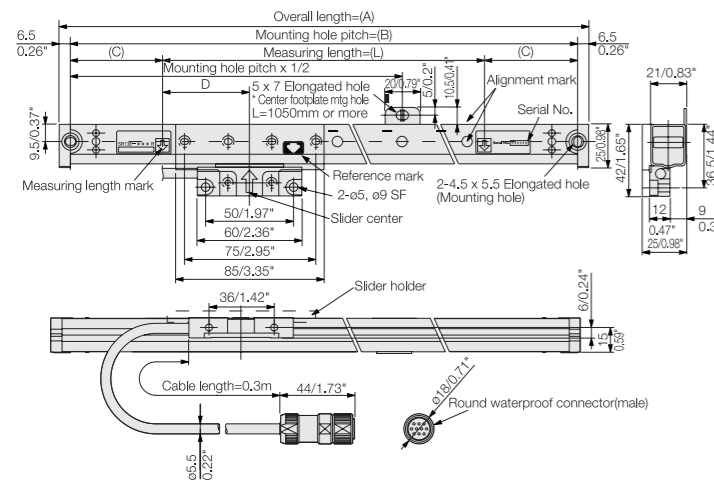
- Excellent durability against workshop conditions - resistant to oil, dirt, shock and vibration.
- Compact design for a space-saving installation.
- Accuracy: $(5+5L/1000)\mu\text{m}$
- Resolution: $0.5\mu\text{m}$



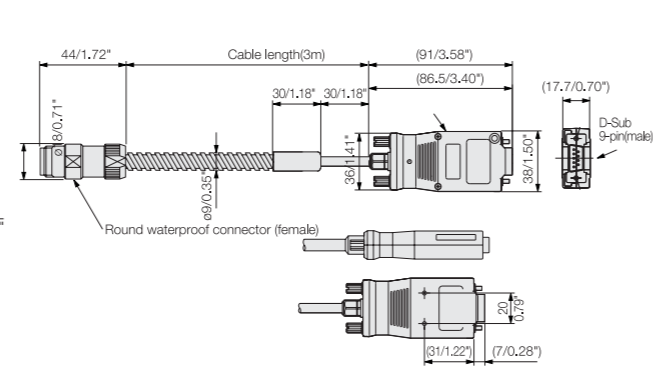
MAGNESCALE®

Dimensions

SR138R (Model name of the scale itself)



CH04 (Model name of accessory cable)



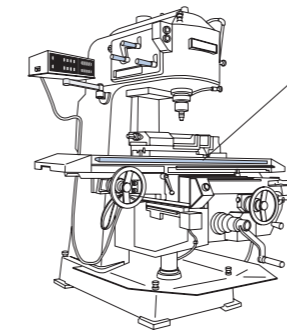
Unit : mm/inch

Specifications

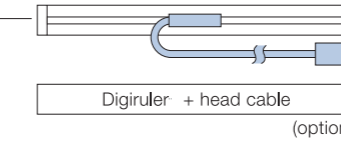
Model		GB-ER
Effective length(L)		50/100/150/200/250/300/350/400/450/500/550/600/650/750/850/950/1050/1250/1400/1600/1850/2050/2200 mm
Scale length	Overall length(A)	L + 104mm (50 to 200mm) L + 120mm (250 to 2200mm)
	Max.travel	L + 14mm (50 to 200mm) L + 30mm (250 to 2200mm)
	With or without Centerfootplate	Without (50 to 950mm) With (1050 to 2200mm)
	Mounting hole pitch(B)	L + 91mm(50 to 200mm) L + 107mm (250 to 2200mm)
	(C)	45.5mm (50 to 200mm) 53.5mm (250 to 2200mm)
	(D)	L + 1/2 (50 to 250mm) 50mm (300 to 2200mm)
Accuracy at 20°C		$(5 + 5L / 1000) \mu\text{m}$
Reference point		Standard:Center of scale, User-defined position also available
Mounting parallelism		$\pm 0.1\text{mm}$
Expansion coefficient		$(11\pm 1) \times 10^{-6}/^\circ\text{C}$
Operating temperature		0 to 40°C
Storage temperature		-20 to 50°C
Head cable length		0.3m
Cable length		3m
Protective design grade		Scale:IP65 Interface unit:IP30
Input/Output signal	Output signal	AB/ quadrature signal, Z signal
	Power supply	DC + 5V $\pm 5\%$
	Connector	D-sub 9 pin
Resolution		0.5 μm
Response speed	Scale signal	60m/min
	Reference signal	60m/min
Power consumption		Max. 200mA

System configuration

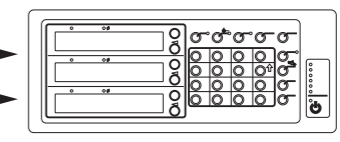
Milling machine



Scale unit GB-ER series

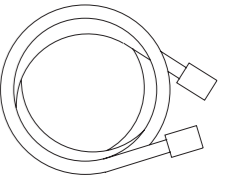


Counter LH70/71 series

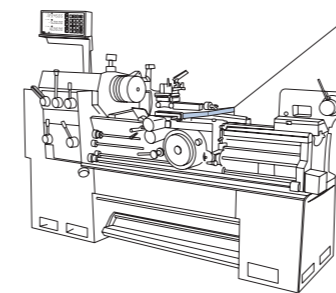


Extension cable (option)
Used by connecting to the cable part of the scale unit.

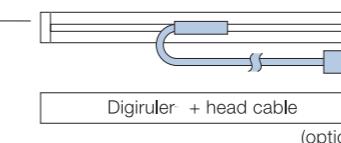
- CE10-01C (1m)
- 03C (3m)
- 05C (5m)
- 10C (10m)



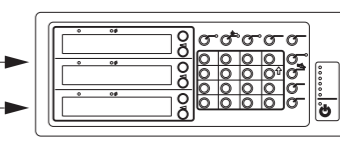
Lathe



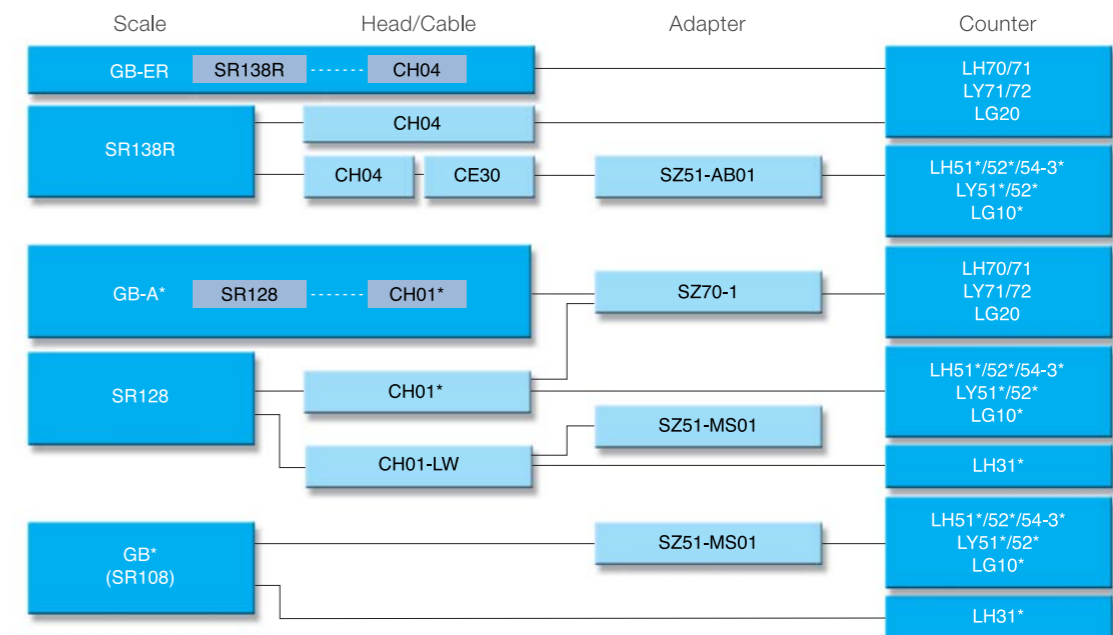
Scale unit GB-ER series



Counter LH70/71 series



GB series connection example



Products marked * are to be discontinued

SJ

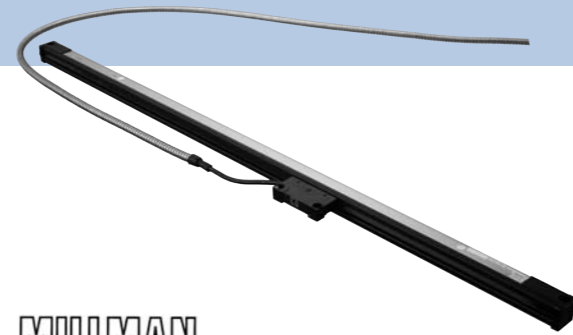
SJ700A SERIES

Cost-effective scale for Digital readout.

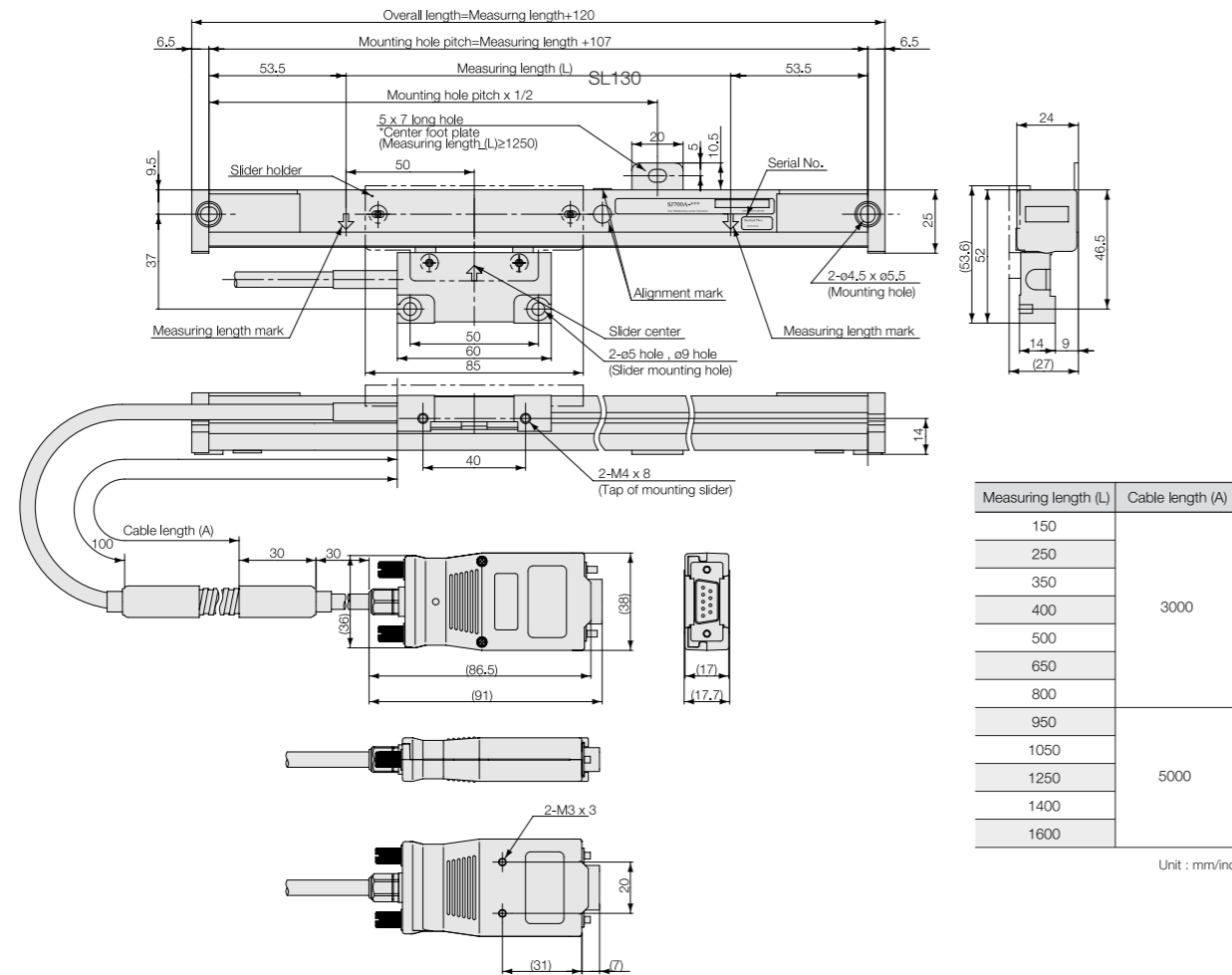
- Magnetic based encoder
- Excellent resistance to workshop conditions
- Same coefficient of expansion as that of machine tools
- Measuring length: 150 mm to 1600 mm / 5.9" to 62.9"
- Accuracy: $\pm 10 \mu\text{m}$, $\pm 15 \mu\text{m}$
- Resolution: $5 \mu\text{m}$

Scale	Counter
SJ700A	LH70/71, LH72 LY71, LY72, LG20

MILLMAN®



Dimensions



Specifications

Model	SJ700A
Effective length L:mm(inch)	150 (5.9"), 250 (9.8"), 350 (13.7"), 400 (15.7"), 500 (19.6"), 650 (25.5"), 800 (31.5"), 950 (37.4"), 1050 (41.3"), 1250 (49.2"), 1400 (55.1"), 1600 (62.9")
Overall length	Measuring length + 120 (4.73")
Maximum travel	Measuring length + 20 (0.78") (10 (0.39") each at right and left)
Accuracy (at 20°C/68°F)	$\pm 10 \mu\text{m}$ (Measuring length 1250 (49.21") or less) $\pm 15 \mu\text{m}$ (Measuring length 1400 (55.12") or more)
Thermal expansion coefficient	$(12 \pm 1) \times 10^{-6}/^\circ\text{C}$
Cable length	3 m (9.8 ft) (SJ700A-015 to 080), 5 m (16.4 ft) (SJ700A-095 to 160)
Operating temperature	0 to +40°C (+32 to +104°F)
Storage temperature	-20 to +60°C (4 to +140°F)
Operating humidity	Condensation allowed
Storage humidity	90 %

SL

SL110/SL130

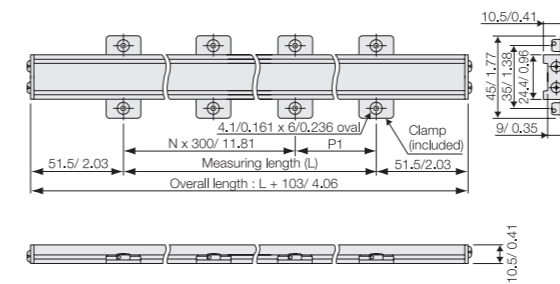
Non-contact detection and a long measuring range

- Magnetic principle
- Excellent resistance to workshop conditions (PL20C equivalent to IP65).
Resistant to oil, dirt, vibration, and shock.
- Resolution: $10 \mu\text{m}$
- Max. response speed: 300 m/ min (varies with the read head and settings).
- Available in lengths up to 30 m (SL130)
- High cost efficiency. Easy installation on all types of machines from wood working to metal cutting.

Scale	Head/Cable	Counter
SL110/130	PL20C	LH70/71, LH72 LY71, LY72, LG20

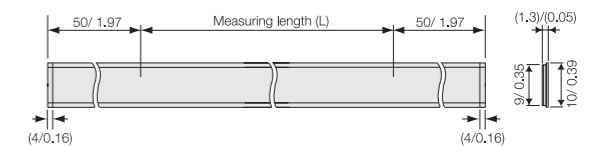
Dimensions

SL110



Model name	Effective length	N	P1	Number of Clamps
SL110-20	200	0	200	4
SL110-30	300	1	0	4
SL110-40	400	1	100	6
SL110-50	500	1	200	6
SL110-60	600	2	0	6
SL110-70	700	2	100	8
SL110-80	800	2	200	8
SL110-100	1000	3	100	10
SL110-120	1200	4	0	10
SL110-150	1500	5	0	12
SL110-160	1600	5	100	14
SL110-170	1700	5	200	14
SL110-180	1800	6	0	14
SL110-200	2000	6	200	16

SL130



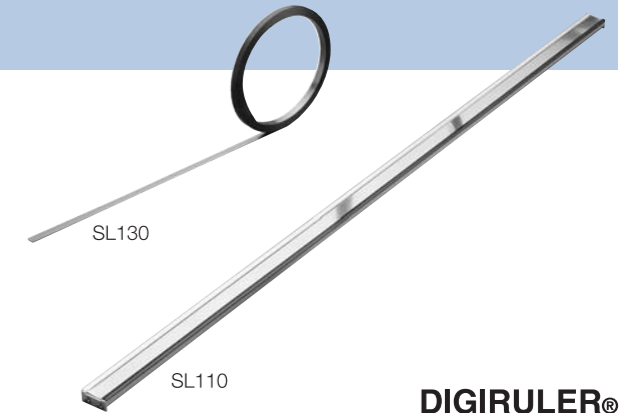
Model name	Effective length	Movable length	Overall length
SL130-20	200	230	300
SL130-30	300	330	400
SL130-40	400	430	500
SL130-50	500	530	600
SL130-60	600	630	700
SL130-70	700	730	800
SL130-80	800	830	900
SL130-100	1000	1030	1100
SL130-120	1200	1230	1300
SL130-150	1500	1530	1600
SL130-160	1600	1630	1700
SL130-170	1700	1730	1800
SL130-180	1800	1830	1900
SL130-200	2000	2030	2100
SL130-250	2500	2530	2600
SL130-300	3000	3030	3100
SL130-400	4000	4030	4100
SL130-500	5000	5030	5100
SL130-600	6000	6030	6100
SL130-700	7000	7030	7100
SL130-800	8000	8030	8100

Unit : mm/inch

SL110/130 Specifications

Model	SL110		SL130	
	-20 to -200		-20 to -700	-800 to -3000
Effective length L mm (inch)	200/300/400/500/600/700/800/1000/1200/1500/1600/1700/1800/2000 (7.8/11.8/15.7/19.6/23.6/27.5/31.4/39.3/47.2/59.0/62.9/66.9/70.8/78.7)		200/300/400/500/600/700/800/1000/1200/1500/1600/1700/1800/2000/2500/3000/4000/5000/6000/7000 (7.8/11.8/15.7/19.6/23.6/27.5/31.4/39.3/47.2/59.0/62.9/66.9/70.8/78.7/98.4/118.1/157.4/196.8/236.2/275.5)	8000/9000/10000/20000/30000 (314.9/354.3/393.7/787.4/1181.1)
Overall length	L+103 mm/ 4.1"		L+100 mm/ 3.9"	
Accuracy (at 20°C/68°F)	$\pm (25 + 5L/1000) \mu\text{m}$			$\pm (25 + 5L/1000 + 10N) \mu\text{m}$ N=1 when L=8000 /9000/10000, N=2 when L=20000, N=3 when L=30000
Resolution	10 μm			
Max. response speed	300 m/ min			
Expansion coefficient	$(11.1 \pm 1) \times 10^{-6}/^\circ\text{C}$		$(10.4 \pm 1) \times 10^{-6}/^\circ\text{C}$	
Operating temperature	-5°C to 45°C / 23°F to 113°F			
Storage temperature	-10°C to 50°C / 14°F to 122°F			
Compatible read head	PL20C			

*Accuracy shows the value when used with PL20C read head.



DIGIRULER®

PL

PL20C

Head cable unit



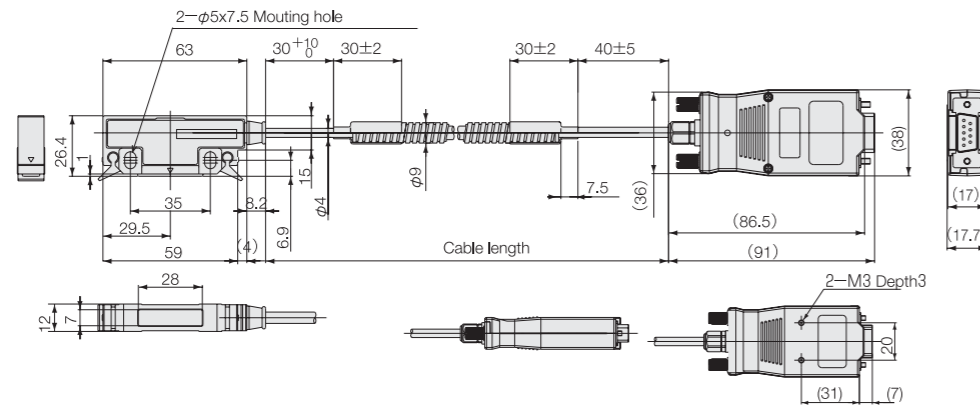
- Output signal: A/B quadrature
- Resolution: 10 μm
- Max. response speed: 300 m/min (varies with the read head and settings).
- Excellent resistance to workshop conditions (IP65).
- Resistant to oil, dirt, vibration, and shock.

Scale	Head/Cable	Counter
SL110/130	PL20C	LH70/71, LH72 LY71, LY72, LG20

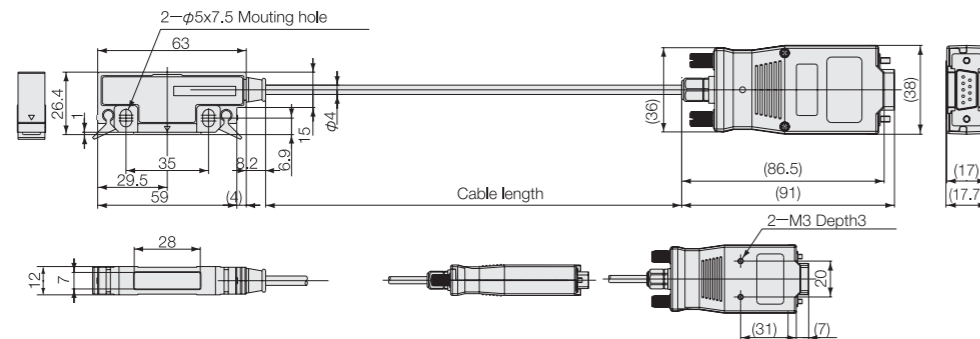
DIGIRULER®

Dimensions

PL20C-**C(Metal armor added)



PL20C-**



Unit : mm

Specifications						
Model	PL20C-3/-3C	PL20C-5/-5C	PL20C-10/-10C	PL20C-15/-15C	PL20C-20/-20C	PL20C-30
Cable length	3 m	5 m	10 m	15 m	20 m	30 m
Output signal	AB quadrature signal					
Resolution	10 μm					
Max. response speed	300m/min					
Head mtg. screw tightening torque	0.7~1.1N*m					
Operating temperature	0 to 45 °C/32 to 113 °F					
Storage temperature	-10 to 50 °C/-14 to 122 °F					

LG

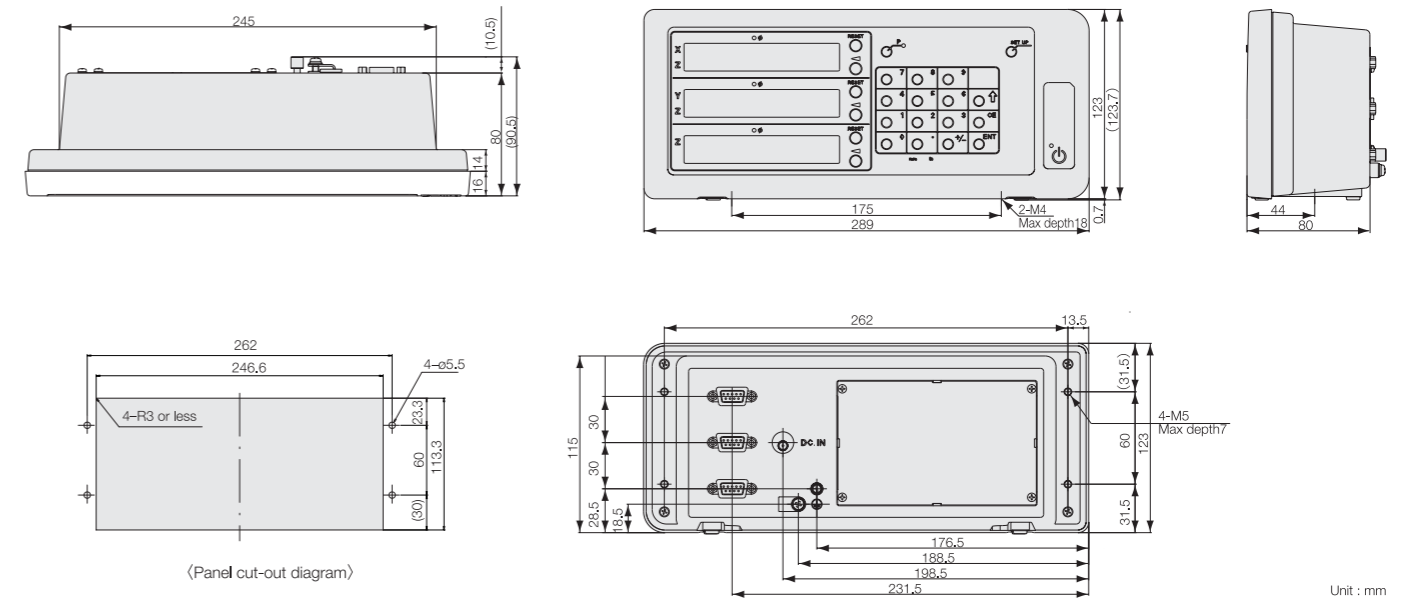
LG20 SERIES

General USE Display.



- Selectable display resolution
- Scale input signal : A/B quadrature signal
- Machine Error Compensation
- Data Storage
- Preset / Recall
- Flicker Control

Dimensions



Specifications

Model	LG20-1	LG20-2	LG20-3
Display axes	1-axis	2-axis	3-axis
Display	7 digits and minus display, Color amber		
Connectable measuring unit	GB-ER, SJ300, SJ700A, PL20C Series (Direct), unit DG-B (Requires a conversion adaptor which is sold separately.)		
Measuring unit input resolution	0.1 μm, 0.5 μm, 1 μm, 2 μm, 5 μm, 10 μm, 20 μm, 25 μm, 50 μm, 100 μm		
Display resolution	Measuring unit input resolution or higher and diameter display		
Input signal	A/B quadrature signal (Conforms to EIA-422.)		
Minimum input phase difference	100 ns		
Quantization error	±1 count		
Alarm display	Measuring unit disconnected, Excess speed, Maximum display amount exceeded, Power failure, Error in stored data		
Preset	It is possible to store/recall 3 kinds of numbers.		
Data storage	The value displayed before the power was turned off and setting values are stored		
Linear error compensation	A fixed compensation is applied to the measuring unit's count value. Compensation amount: ±600 μm/m)		
Sleep	The display is turned off when no operations are made for a preset time. (The time can be set.)		
Power supply	DC 12 V Rating 0.75 A Max. 1 A AC 100 V to 240 V ±10 % When using the AC adaptor PSC-22 (For U.S. only) or PSC-23 (For Europe and other countries) *Option		
Power consumption	MAX. 32 VA connected at the AC adaptor.		
Operating temperature range	0 to 40°C (no condensation)		
Storage temperature range	-20 to 60°C (no condensation)		
Mass	Approx. 1.5 kg		

LH

LH70/71 SERIES

High performance counter for Mille and Lathe applications.



- Counter for Milling machine (LH70/71) and Lathe (LH70-3/LH71-3)
- Display Resolution Switching
- Machine error compensation
- Data Storage. ● Reset/Preset
- Reference Point Detection
- Program function ● Multi datum point ● Scaling
- Milling function (Bolt hole circle/Easy Radius cutting/Line hole)
- Lathe function (Tool coordinating / Adding function)

Specifications

Common Specifications

Model	LH70/71-1	LH70/71-2	LH70/71-3
Display	7 digits and minus display, Color amber		
Connectable measuring unit	GB-ER, SJ300 series, SJ700A, PL20C series (Direct) DG-B (Necessary to use the conversion adaptor which is sold separately.)		
Measuring unit input resolution	Standard: 0.1 μm, 0.5 μm, 1 μm, 5 μm, 10 μm, 1 s, 10 s, 1 min, 10 min Expanded: 100 μm, 50 μm, 25 μm, 20 μm, 2 μm, 0.05 μm and 1 degree can be added.		
Display resolution	Measuring unit input resolution or higher and diameter display (except for angle display)		
Input signal	A/B quadrature signal, Z signal (Conforms to EIA-422.)		
Minimum input phase difference	100 ns		
Quantization error	±1 count		
Alarm display	Measuring unit disconnected, Excess speed, Maximum display amount exceeded, Power failure, Error in stored data		
Reset	Resettable by key switch		
Preset	It is possible to store/call 3 kinds of numbers.		
Reference point detection	The reference point of the measuring unit can be detected, and the datum point can be relocated (during connection of measuring unit with a reference point)		
Data storage	The value displayed before the power was turned off and setting values are stored		
Linear error compensation	A fixed compensation is applied to the measuring unit's count value. Compensation amount Standard: ±600 μm/m (Expanded: ±1000 μm/m)		
Segmented error compensation	The movement range of the measuring unit with a reference point can be divided into a maximum of 32 sections, and error compensation is performed for each of these sections. Compensation amount: ±600 μm (at each section)(LH71 only)		
Scaling	Scaling factor: 0.100000 to 9.999999(LH71 only)		
Program	Machining coordinates can be programmed (number of program steps: 850 max.) 1. Manual programming by key switch 2. Automatic programming by playback 3. Mirror image during program execution 4. A canned cycle (bolt hole, line hole, simple R cutting) can be inserted in the program. (LH71 only)		
Angle display	Can be displayed as an angle value when the Digiruler is pasted to the arc surface, and the diameter and Digiruler resolution are entered		
Sleep	The display is turned off when no operations are made for a preset time. (The time can be set.)		
Power supply	DC 12 V Rating 0.75 A Max. 1 A AC 100 V to 240 V ±10 % When using the AC adaptor PSC-22 (For U.S. only) or PSC-23 (For Europe and other countries) *Option		
Power consumption	MAX. 32 VA connected at the AC adaptor.		
Operating temperature range	0 to 40°C (no condensation)		
Storage temperature range	-20 to 60°C (no condensation)		
Mass	Approx. 1.5 kg		

When the LH70/71 general-purpose applications or milling machine function are selected (General setting in the model type selection mode of the basic settings)

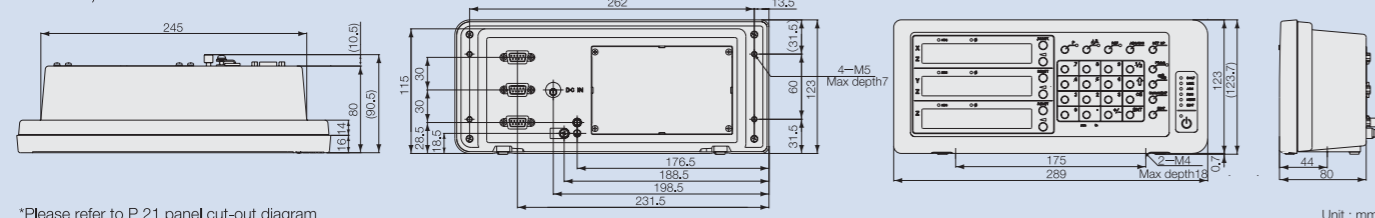
Model	LH70-1	LH71-1	LH70-2	LH71-2	LH70-3	LH71-3
Display	1-axis		2-axis		3-axis	
Multi datum point	10	150	10	150	10	150
Bolt hole circle	Displays coordinates for opening equidistant holes along the perimeter of a designated diameter					
Simple R cutting	Display coordinates for simple R cutting					
Line hole	Displays coordinates for opening equidistant holes along a designated straight line(LH71 only)					

When the LH70/71 lathe function is selected (Lathe setting in the model type selection mode of the basic settings)

Model	LH70-3	LH71-3
Display axes	2-axis display (2-axis or 3-axis input)	
Tool offset	12	99
Measuring unit input addition	2-axis addition display is available	
Display hold	The displayed value can be held and the tool coordinate entered.	

Dimensions

LH70/71, LH72



*Please refer to P.21 panel cut-out diagram.

Unit : mm

LH

LH72

High performance Lathe specific counter.



- Counter for Lathe (LH72-3)
- Display Resolution Switching
- Machine error compensation
- Data Storage
- Reset/Preset
- Reference Point Detection
- Program function ● Scaling
- Lathe function (Tool coordinating / Adding function)

Specifications

Common Specifications

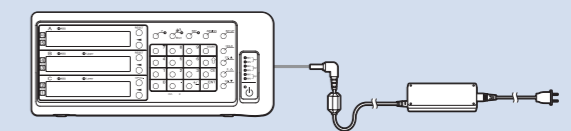
Model	LH72-3
Display	7 digits and minus display, Color amber
Connectable measuring unit	GB-ER, SJ300 series, SJ700A, PL20C series (Direct) DG-B (Necessary to use the conversion adaptor which is sold separately.)
Measuring unit input resolution	Standard: 0.1 μm, 0.5 μm, 1 μm, 5 μm, 10 μm, 1 s, 10 s, 1 min, 10 min Expanded: 100 μm, 50 μm, 25 μm, 20 μm, 2 μm, 0.05 μm and 1 degree can be added.
Display resolution	Measuring unit input resolution or higher and diameter display (except for angle display)
Input signal	A/B quadrature signal, Z signal (Conforms to EIA-422.)
Minimum input phase difference	100 ns
Quantization error	±1 count
Alarm display	Measuring unit disconnected, Excess speed, Maximum display amount exceeded, Power failure, Error in stored data
Reset	Resettable by key switch or remote reset.
Preset	It is possible to store/recall 3 kinds of numbers.
Reference point detection	The reference point of the measuring unit can be detected, and the datum point can be relocated (during connection of measuring unit with a reference point)
Data storage	The value displayed before the power was turned off and setting values are stored
Linear error compensation	A fixed compensation is applied to the measuring unit's count value. Compensation amount Standard: ±600 μm/m (Expanded: ±1000 μm/m)
Segmented error compensation	The movement range of the measuring unit with a reference point can be divided into a maximum of 32 sections, and error compensation is performed for each of these sections. Compensation amount: ±600 μm (at each section)
Scaling	Scaling factor: 0.100000 to 9.999999
Program	Machining coordinates can be programmed (number of program steps: 850 max.) 1. Manual programming by key switch 2. Automatic programming by playback 3. Mirror image during program execution
Angle display	Can be displayed as an angle value when the Digiruler is pasted to the arc surface, and the diameter and Digiruler resolution are entered
Sleep	The display is turned off when no operations are made for a preset time. (The time can be set.)
Display axes	2-axis display (2-axis or 3-axis input)
Tool offset	99
Measuring unit input addition	2-axis addition display is available
Display hold	The displayed value can be held and the tool coordinate entered.
Power supply	DC 12 V Rating 0.75 A Max. 1 A AC 100 V to 240 V ±10 % When using the AC adaptor PSC-22 (For U.S. only) or PSC-23 (For Europe and other countries) *Option
Power consumption	MAX. 32 VA connected at the AC adaptor.
Operating temperature range	0 to 40°C (no condensation)
Storage temperature range	-20 to 60°C (no condensation)
Mass	Approx. 1.5 kg

Power supply AC adapter

The AC adapter for LH70/71, LH72 and LG20 counter unit.

- PSC-21(For Japan only)
- PSC-22(For U.S. only)
- PSC-23(For Europe and other country.)

Note: For use at the supply voltages of around 200V, please choose PSC-23, which is equipped with a Europlug compatible with CE.



AC adaptor (option)

Safety No compromise for high-accuracy products



The total quality control system that operates throughout the entire design and production process ensures products with enhanced safety, high quality, and high reliability that match our customers' requirements. The company is certified for length calibration in compliance with the traceability system required by the "Weights and Measures Act," and has been granted ISO 9001 certification, which is the international standard for quality assurance.



Isehara plant is registered to ISO 9001 (Quality)

Our products comply with CE Marking requirements, have acquired UL certifications and meet other regulations, ensuring safe use the world over.

We have met:

- EMC Directives(CE)
 - EMI: EN 55011 Group 1 Class A / 91
 - EMS: EN 61000-6-2
- FCC regulation
 - FCC Part 15 Subpart B Class A

- | | |
|---|------------------------------|
| for Products with built-in AC power supply: | for Products with Laser: |
| •UL 61010-1 | •DHHS Class 1 (21CFR1040.10) |

* When using our devices with machines to which the European Machinery Directive applies, please make sure that the devices when installed on the machines fulfill the applicable requirements of the Directive.
 * Standards or regulations to be complied with may vary by product.

Traceability

Traceability Flow Chart (Length)

