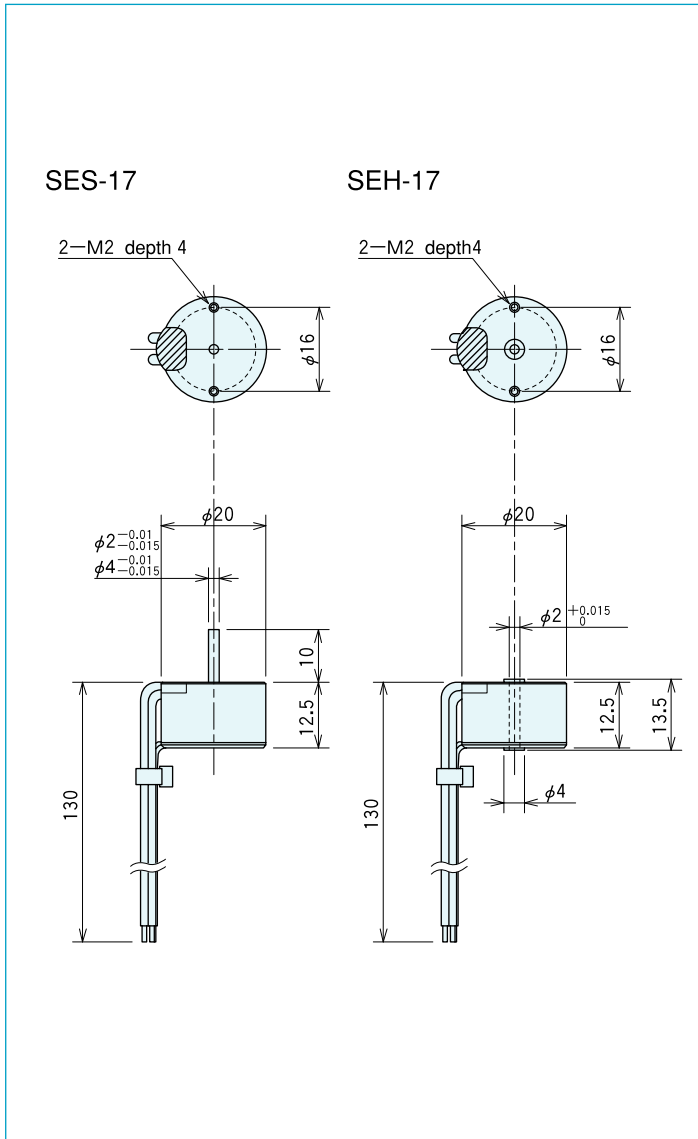


SE-17 series

[Approximate Sine Wave/Incremental]



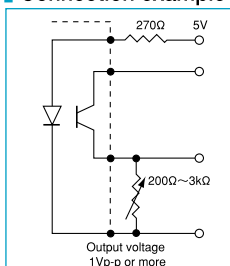
Outside dimensions



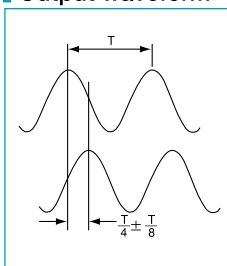
Specifications

Type name		SE□-17-□□
Item	Supply voltage	DC5V ±10%
	Current consumption	30mA (LED: maximum 20mA)
Detection system	Detection system	Incremental
	Output pulse number (Standard)	100 200 300 360 (single phase only)
Output phase	Output phase	A phase, A, B phase
	Output form	Approximate sine wave
Output capacity	Output capacity	—
	Maximum response frequency (response pulse number)	20kHz
Output phase difference	Output phase difference	A, B phase difference 90°±45°
	Waveform rise/fall time	—
Starting torque		0.3×10 ⁻³ N·m (3gf·cm) or less
Allowable load of shaft (electrical)	Radial	(2) 1.9N (200gf) / (4) 4.9N (500gf)
	Thrust	(2) 1.9N (200gf) / (4) 4.9N (500gf)
Maximum allowable revolutions (mechanical)		6000r/min
Working ambient temperature/humidity		0°C~50°C
Storing ambient temperature		-20°C~80°C
Vibration resistance		Durability 55Hz, double amplitude 1.5mm 2 hours each in X, Y, and Z directions
Impact resistance		Durability 500m/s ² (about 50G) 3 times each in X, Y, and Z directions
Cable		Vinyl wire (AWG28) 130mm
Mass		20g

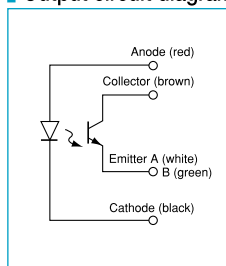
Connection example



Output waveform

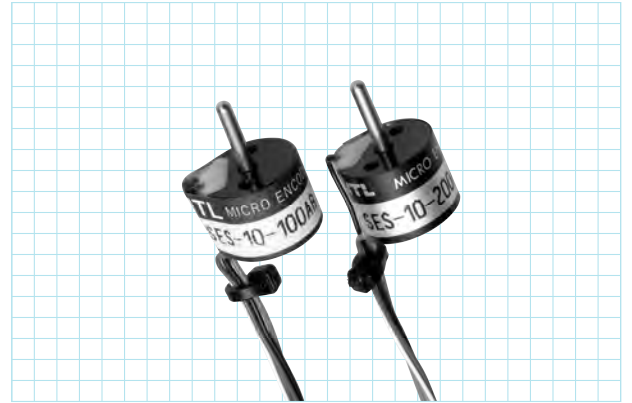


Output circuit diagram

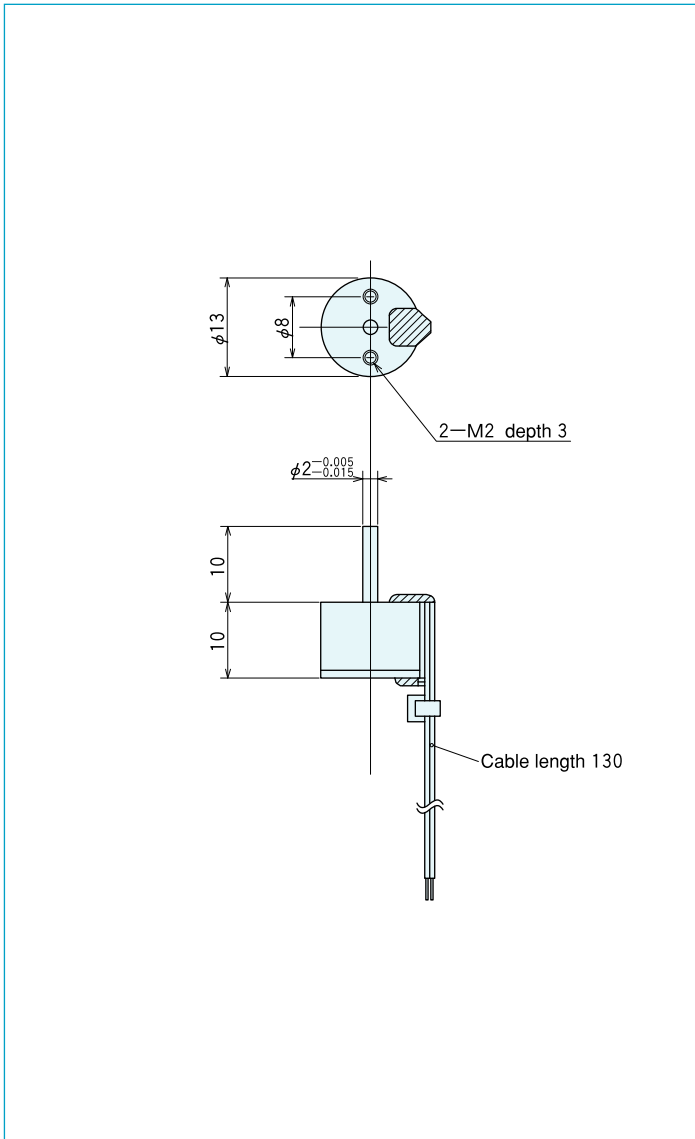


SES-10 series

[Approximate Sine Wave/Incremental]



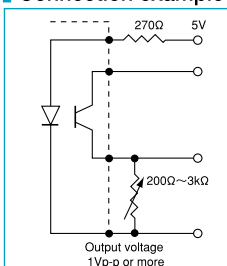
Outside dimensions



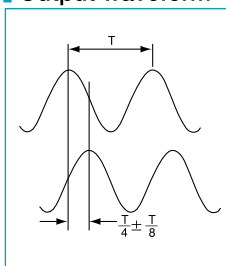
Specifications

Type name	SES-10-□□	
	Pulse number □□ Output phase ●A =single phase ●AB=two-phase	
Item		
Supply voltage	DC5V ±10%	
Current consumption	30mA (LED: maximum 20mA)	
Detection system	Incremental	
indio	Output pulse number (Standard)	100
	[Pulse number/rotation]	200
	Output phase	A phase, A, B phase
	Output form	Approximate sine wave
	Output capacity	—
	Maximum response frequency (response pulse number)	20kHz
Output phase difference	A, B phase difference 90°±45°	
Waveform rise/fall time	—	
Starting torque	0.3×10 ⁻³ N·m (3gf·cm) or less	
Allowable load of shaft (electrical)	Radial	1.9N (200gf)
	Thrust	1.9N (200gf)
Maximum allowable revolutions (mechanical)	6000r/min	
Working ambient temperature/humidity	0°C~50°C	
Storing ambient temperature	-20°C~80°C	
Vibration resistance	Durability 55Hz, double amplitude 1.5mm 2 hours each in X, Y, and Z directions	
Impact resistance	Durability 500m/s ² (about 50G) 3 times each in X, Y, and Z directions	
Cable	Vinyl wire (AWG30) 130mm	
Mass	10g	

Connection example



Output waveform



Output circuit diagram

