

Cooling Fans

Accessories

| | Page |
|---|-------|
| Finger Guards | F-118 |
| Filters | F-120 |
| Screens | F-123 |
| Plug Cords for Connection to Power Supply | F-124 |
| Mounting Brackets for Centrifugal Blowers | F-125 |
| Duct Joints | F-126 |

Accessories

| | |
|-------------------|---------------------|
| Introduction | |
| MRS | Axial Flow Fans |
| Variable Flow MRS | AC Input |
| MU | DC Input |
| MDS/MD | Long-Life MDE |
| MB | Centrifugal Blowers |
| MBD | DC Input |
| MF | Cross Flow Fans |
| MFD | DC Input |
| FM | Cooling Module |
| | Thermostats |
| | Accessories |
| | Installation |

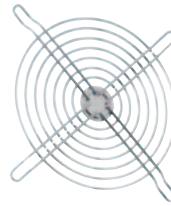
Finger Guards RoHS

It's very dangerous to touch fan blades when the fan is operating. Finger guards prevent fingers or foreign objects from entering the device. Finger guards are mounted to the fan frame using bolts.

Material: Steel wire (**FGB8**, **FGB10**, **FGB12**: Resin)

Finish: Chrome plating

Components conform to safety standards: These finger guards are designed to pass tests required for devices that use fans, as stipulated by UL and CSA Standards and Electrical Appliance and Material Safety Law (Japan). However, they conform to these standards only when used with **ORIX FAN** products.

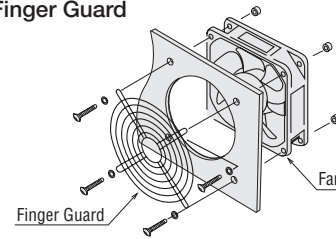


For Axial Flow Fans



For Centrifugal Blowers

Installing the Finger Guard

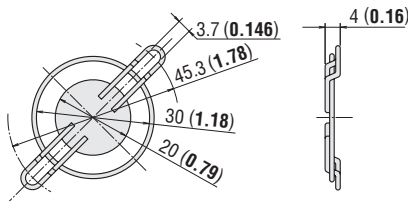


■ Dimensions Unit = mm (in.)

● Finger Guards for Axial Flow Fans

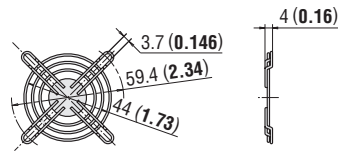
FG4D..... for MDS410

Conformed component to safety standards
Mass: 4.2 g (0.15 oz.) **DXF** E085



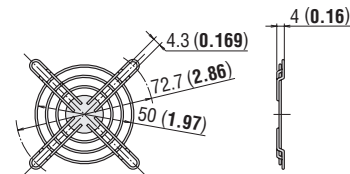
FG5D..... for MDS510

Conformed component to safety standards
Mass: 7.7 g (0.27 oz.) **DXF** E086



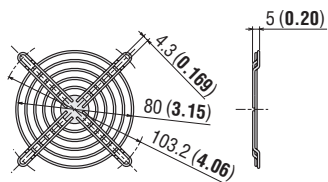
FG6D..... for MD625

Conformed component to safety standards
Mass: 8.3 g (0.29 oz.) **DXF** E087



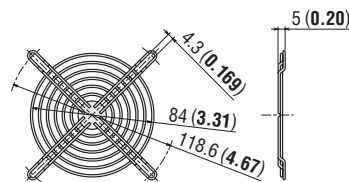
FG8D..... for MU825 and MD825

Conformed component to safety standards
Mass: 24 g (0.85 oz.) **DXF** E048



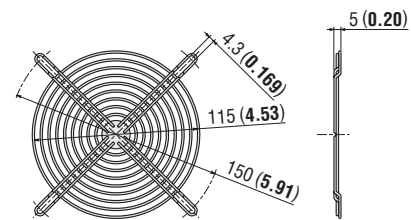
FG9D..... for MU925 and MD925

Conformed component to safety standards
Mass: 28 g (0.99 oz.) **DXF** E049



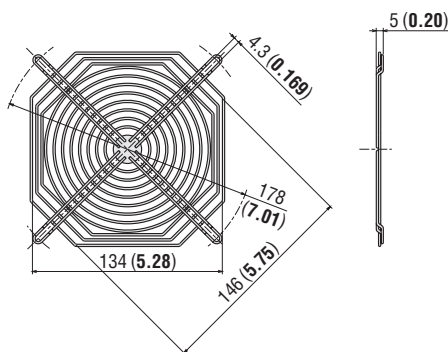
FG12D..... for MU1238, MU1225, MDS1225, MD1225 and MDE1225

Conformed component to safety standards
Mass: 45 g (1.59 oz.) **DXF** E051



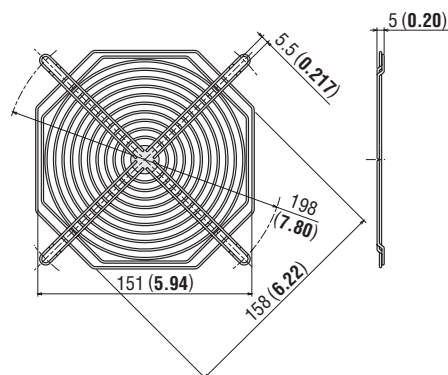
FG14D..... for MRS14, MDS1451 and MDE1451

Conformed component to safety standards
Mass: 64 g (2.3 oz.) **DXF** E052



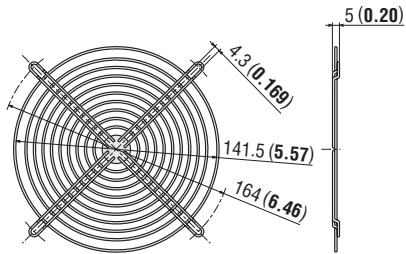
FG16D..... for MRS16

Conformed component to safety standards
Mass: 75 g (2.6 oz.) **DXF** E053



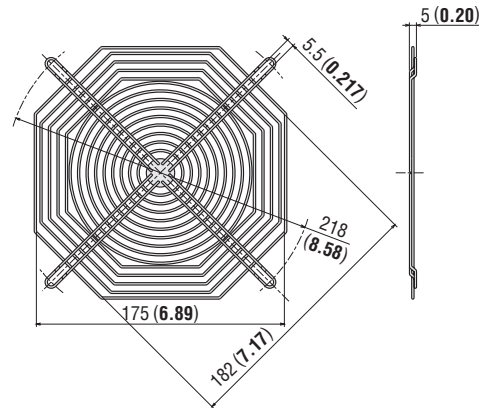
FG17D..... for MDS1751

Conformed component to safety standards
Mass: 57 g (2.0 oz.) **DXF** E054



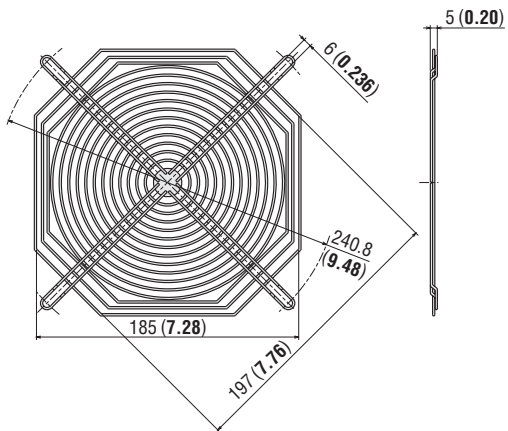
FG18D..... for MRS18

Conformed component to safety standards
Mass: 95 g (3.4 oz.) **DXF** E055



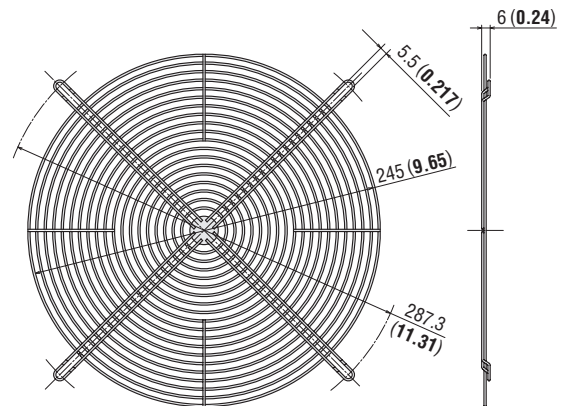
FG20D..... for MRS20

Conformed component to safety standards
Mass: 105 g (3.7 oz.) **DXF** E056



FG25D..... for MRS25

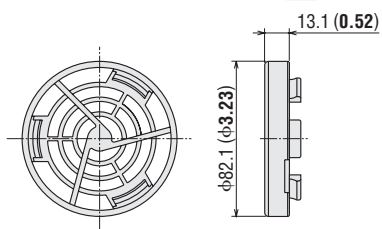
Conformed component to safety standards
Mass: 160 g (5.6 oz.) **DXF** E107



● Finger Guards for Centrifugal Blowers

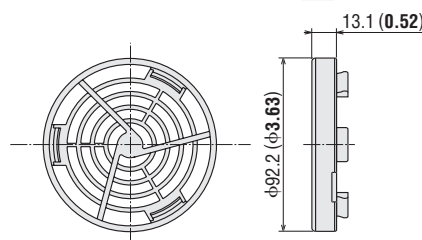
FGB8..... for MB840 and MBD8

Conformed component to safety standards
Mass: 34 g (1.20 oz.) **DXF** E065



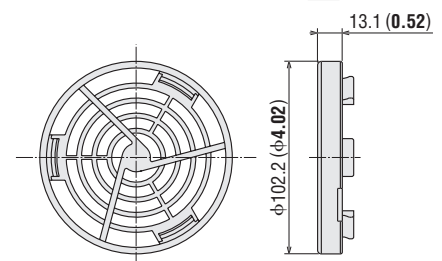
FGB10..... for MB1040 and MBD10

Conformed component to safety standards
Mass: 38 g (1.34 oz.) **DXF** E066



FGB12..... for MB1255 and MBD12

Conformed component to safety standards
Mass: 40 g (1.41 oz.) **DXF** E067



| | |
|-------------------|---------------------|
| Introduction | Axial Flow Fans |
| MRS | DC Input |
| Variable Flow MRS | Long-Life MDE |
| MU | Centrifugal Blowers |
| MDS/MD | AC Input MB |
| DC Input MDE | DC Input MBD |
| AC Input MB | Cross Flow Fans |
| DC Input MBD | AC Input MF |
| AC Input MF | DC Input MFD |
| DC Input MFD | Cooling Module FM |
| Cooling Module FM | Thermostats |
| Thermostats | Accessories |
| Accessories | Installation |

Filters RoHS

When using a fan to cool machinery, dust may accumulate inside the machinery after long periods of operation. Depending on the parts involved, this could cause a malfunction.

These filters prevent dust from entering the device, keeping the air inside the machinery dust free.

The filter consists of the following three parts:

- ① Guard : Plastic finger guard
Flammability grade: V-0
- ② Filter Media : Polyurethane air-cleaning filter media 20 to 45 PPI
(PPI: The number of air bubbles per inch)
- ③ Retainer : Plastic retainer for filtering material
Flammability grade: V-0

The filter media and the retainer can be attached and detached very easily without taking the fan off for maintenance.

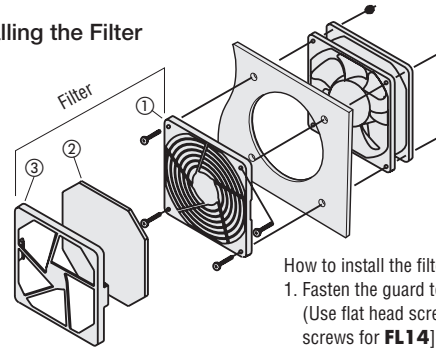


For Axial Flow Fans



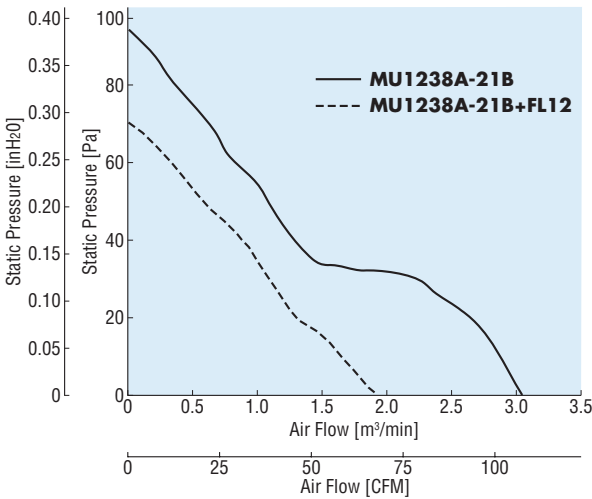
For Centrifugal Blowers

Installing the Filter



- How to install the filter
1. Fasten the guard to the fan.
(Use flat head screws [round head screws for **FL14**].)
 2. Insert the filter media and attach the retainer to the guard.

Example of Air Flow – Static Pressure Characteristics When Using a Filter



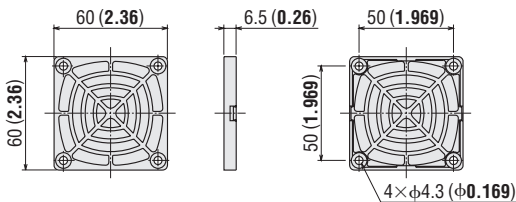
Dimensions Unit = mm (in.)

Filters for Axial Flow Fans

FL6 for MD625

Mass: 11 g (0.39 oz.) (Filter media: 45 PPI)

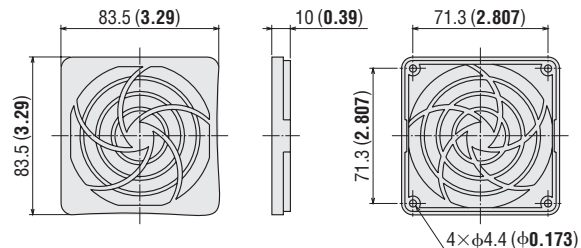
DXF E162



FL8 for MU825 and MD825

Mass: 19 g (0.67 oz.) (Filter media: 20 PPI)

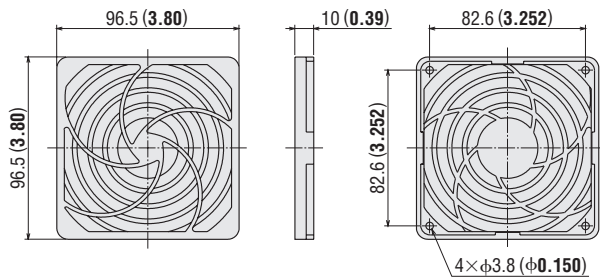
DXF E163



FL9..... for MU925 and MD925

Mass: 26 g (0.92 oz.) (Filter media: 20 PPI)

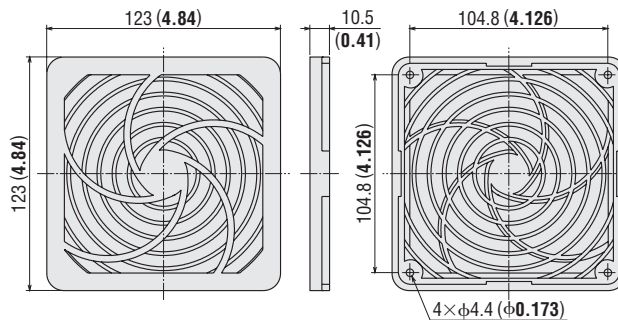
DXF E164



FL12..... for MU1238, MU1225, MDS1225, MD1225 and MDE1225

Mass: 46 g (1.62 oz.) (Filter media: 20 PPI)

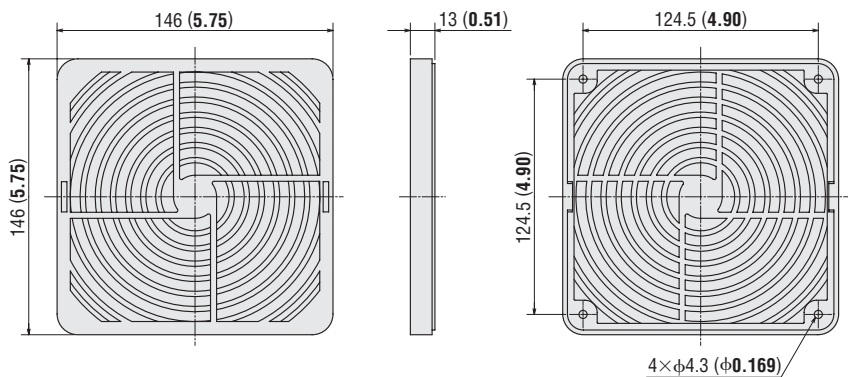
DXF E166



FL14..... for MRS14, MDS1451 and MDE1451

Mass: 92 g (3.25 oz.) (Filter media: 30 PPI)

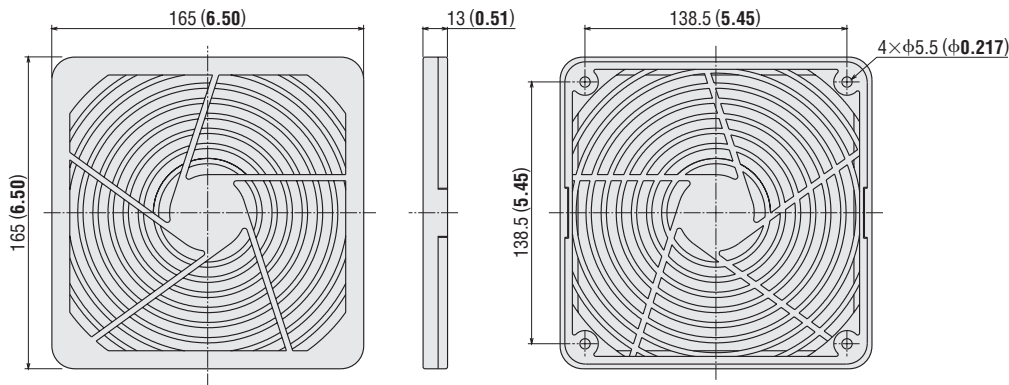
DXF E167



FL16..... for MRS16

Mass: 126 g (4.4 oz.) (Filter media: 30 PPI)

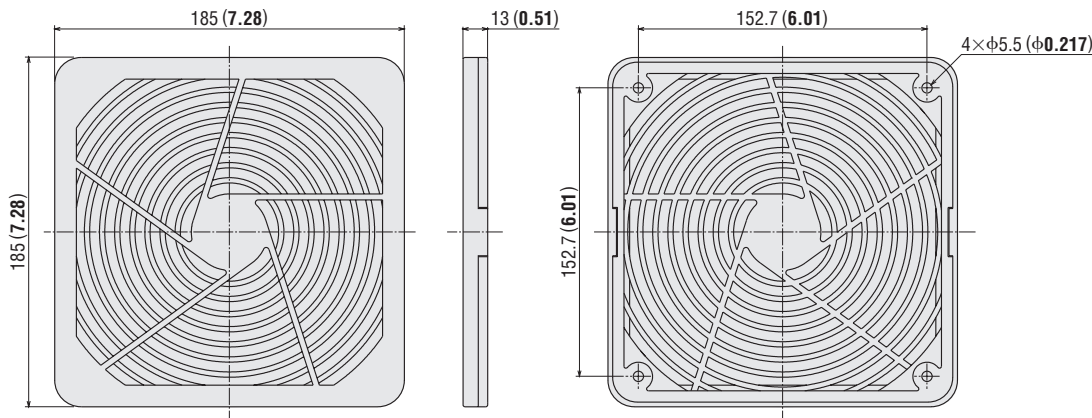
DXF E168



FL18..... for MRS18

Mass: 165 g (5.8 oz.) (Filter media: 30 PPI)

DXF E169



Introduction

MRS

Variable Flow
MRS

Axial Flow Fans
MU

MDS/MD
DC Input
Long-Life
MDE

Centrifugal Blowers
MB
DC Input
MBD

Cross Flow Fans
MF
DC Input
MFD

Cooling
Module
FM

Thermostats

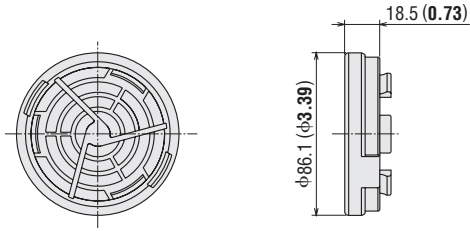
Accessories

Installation

● Filters for Centrifugal Blowers

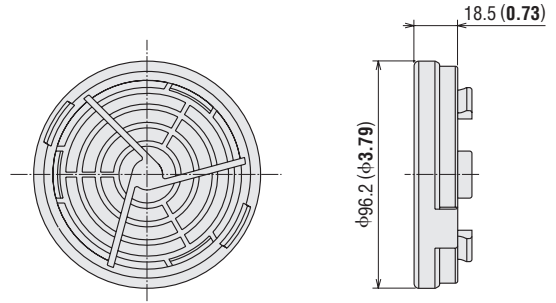
FLB8..... for **MB840** and **MBD8**

Mass: 41 g (1.45 oz.) (Filter media: 30 PPI)



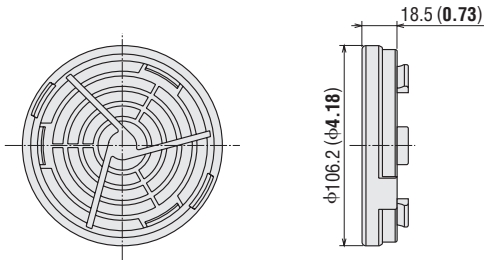
FLB10..... for **MB1040** and **MBD10**

Mass: 47 g (1.66 oz.) (Filter media: 30 PPI)



FLB12..... for **MB1255** and **MBD12**

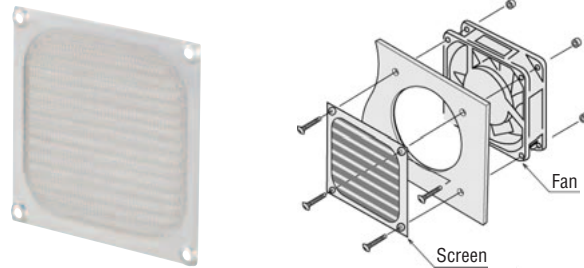
Mass: 52 g (1.83 oz.) (Filter media: 30 PPI)



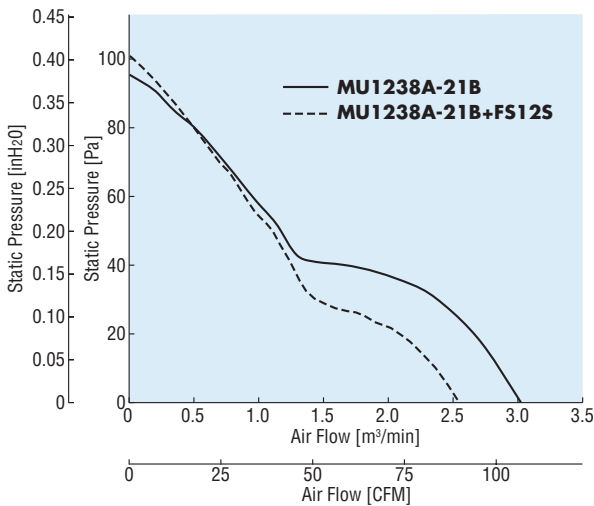
Screens RoHS

Fans are used to cool or ventilate electronic devices that may generate electromagnetic waves. These waves can escape from the fan cooling holes, causing interference to computers and measuring instruments. The screens allow the passage of air, but block electromagnetic waves. The screen is a durable magnetic shield using an stainless mesh fixed to an aluminum frame. Screens are easily attached to the fan using screws.

Installing the Screen



Example of Air Flow – Static Pressure Characteristics When Using a Screen

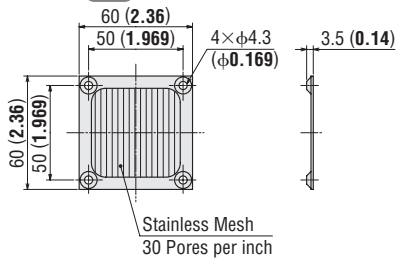


Dimensions Unit = mm (in.)

FS6S..... for MD625

Mass: 7 g (0.25 oz.)

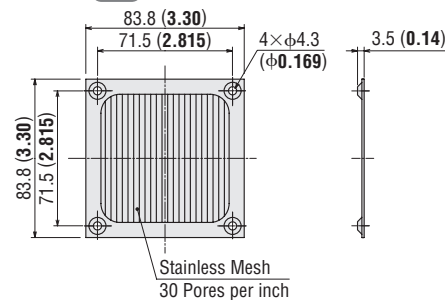
DXF E173



FS8S..... for MU825 and MD825

Mass: 15 g (0.53 oz.)

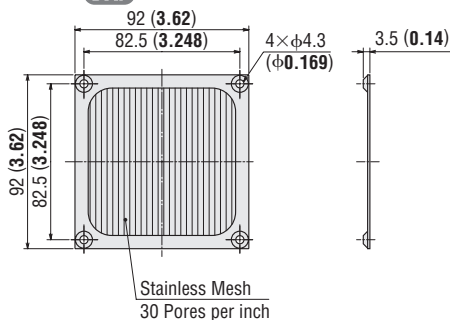
DXF E174



FS9S..... for MU925 and MD925

Mass: 16 g (0.56 oz.)

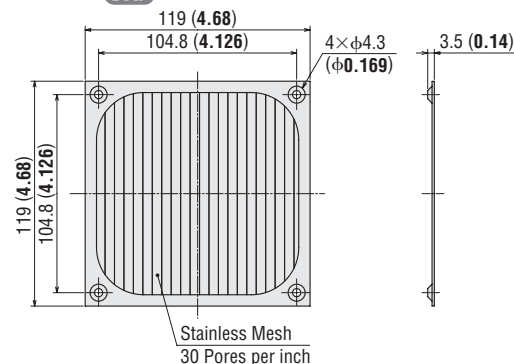
DXF E175



FS12S..... for MU1238, MU1225, MDS1225, MD1225 and MDE1225

Mass: 24 g (0.85 oz.)

DXF E176



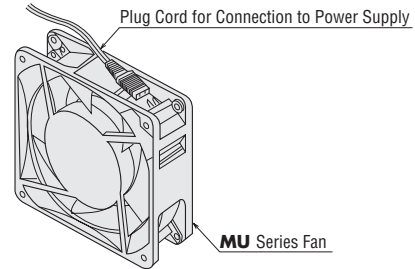
- Introduction
- MRS
- Variable Flow
- MRS
- MU
- MDS/MD
- DC Input
- Long-Life
- MDE
- Centrifugal Blowers
- MB
- DC Input
- MBD
- Cross Flow Fans
- AC Input
- MF
- DC Input
- MFD
- Cooling Module
- FM
- Thermostats
- Accessories
- Installation

Plug Cords for Connection to Power Supply RoHS

This plug cord is for use with the **MU** Series fans, providing terminals for connection to the power supply.



Connecting the Plug Cord

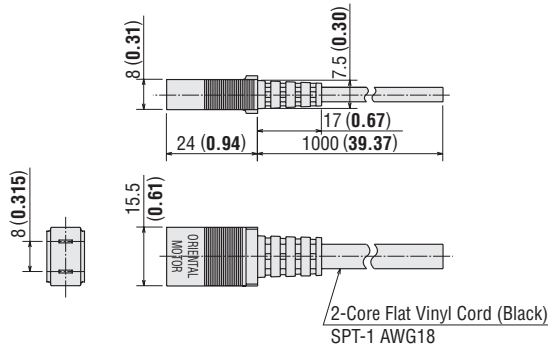


■ Dimensions Unit = mm (in.)

PCA2B.....for **MU** Series: 1 m (3.3 ft.)

- UL Recognized: UL File No. E46617 or E43202
CSA Certified: CSA File No. LR68564 or UL File No. E43202
(Indicates that UL has certified that the product meets CSA)

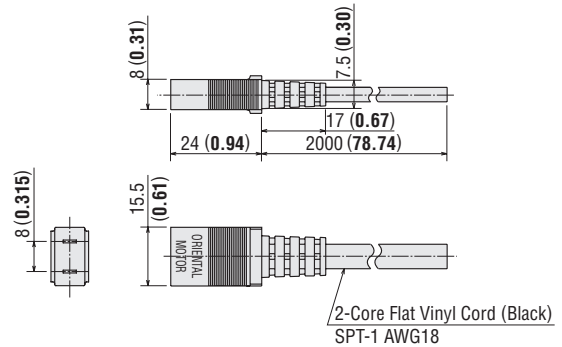
Electrical Appliance and Material Safety Law (Japan):
The product is categorized as part of the special electrical appliances and materials and is subject to compliance tests performed by the Japan Electrical Safety and Environment Technology Laboratories (JET).



PCA2B2.....for **MU** Series: 2 m (6.6 ft.)

- UL Recognized: UL File No. E46617 or E43202
CSA Certified: CSA File No. LR68564 or UL File No. E43202
(Indicates that UL has certified that the product meets CSA)

Electrical Appliance and Material Safety Law (Japan):
The product is categorized as part of the special electrical appliances and materials and is subject to compliance tests performed by the Japan Electrical Safety and Environment Technology Laboratories (JET).



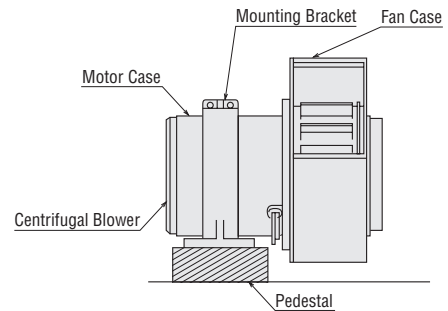
Mounting Brackets for Centrifugal Blowers RoHS

Mounting bracket using the motor case of the centrifugal blower.

Material: **PAS2B, PAS4B:** Steel
PAS6A, PAS5A: Aluminum alloy
 Color : Dark gray



Installing the Mounting Bracket

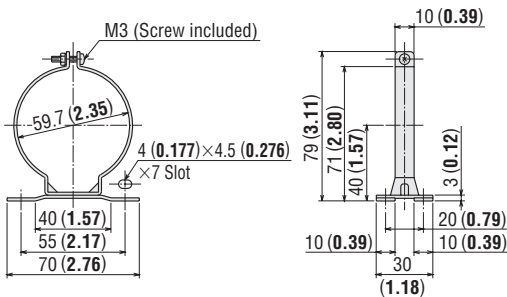


● A pedestal must be used when mounting the blower so that the fan case does not touch the mounting surface.

Dimensions Unit = mm (in.)

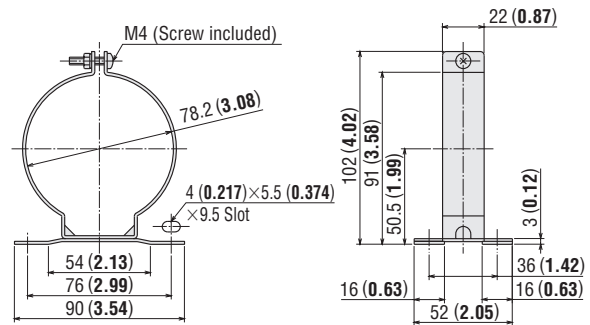
PAS2B..... for MB520 and MB630

Mass: 52 g (1.83 oz.) DXF E088



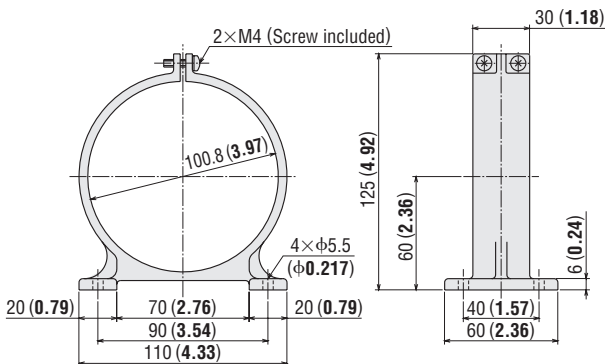
PAS4B..... for MB840, MB1040, MBD8, MBD10 and MBD12

Mass: 125 g (4.4 oz.) DXF E089



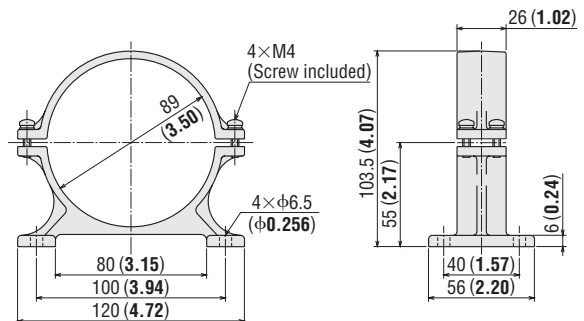
PAS6A..... for MB1255

Mass: 177 g (6.2 oz.) DXF E090



PAS5A..... for MB1665

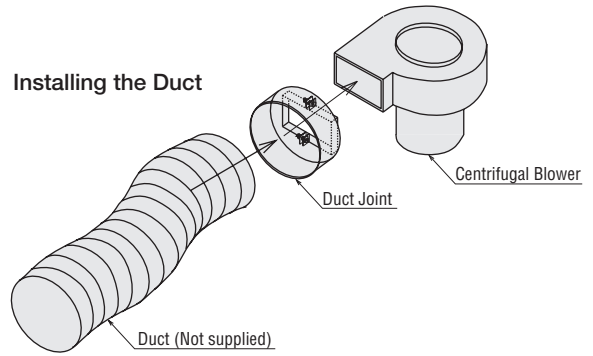
Mass: 156 g (5.5 oz.) DXF E091



Duct Joints RoHS

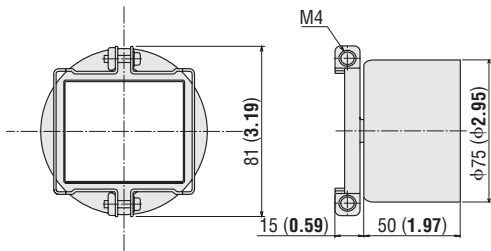
Joint for connecting the centrifugal blower outlet and duct.

Material : Steel
Color : Dark gray

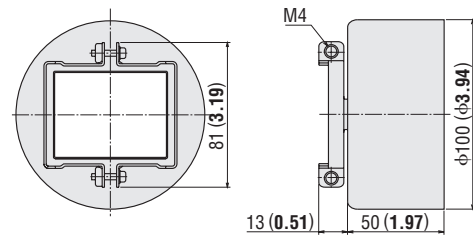


■ Dimensions Unit = mm (in.)

FD8..... for **MB840** and **MBD8** Mass: 173 g (6.1 oz.) DXF E092



FD10..... for **MB1040** and **MBD10** Mass: 244 g (8.6 oz.) DXF E093



FD12..... for **MB1255** and **MBD12** Mass: 331 g (11.7 oz.) DXF E094

