

# HPC/X PowerStations



## Hardened Industrial Workstations at Light Duty Prices

With 10", 15", and 17" panel mount touchscreen systems and a non-display system, the new HPC/X PowerStation line is designed and tested to extremes. CTC's award winning InteractX Windows HMI runtime software is included with HPX HMI PowerStations. Both HPC Industrial PCs and HPX HMI PowerStations are NEMA-rated, robust units that are tougher than "light duty" Industrial workstations—with more processor, media and connectivity performance for your money. This updated line now includes an additional serial port, PowerSmart™ onscreen monitoring, a new DC power option and a 15" display Stainless Steel Bezel option for clean room/sanitary work environments. And all PowerStations now come with an industry-leading, 24-Month Warranty!

## HPX Model Number Examples

Parker Product Code: 610			
	Performance	Better*	Best*
	CPU	2.0 GHz Celeron	2.8 GHz P4
	DRAM	512MB <sup>^</sup>	1.0GB <sup>^^</sup>
	OS	Windows XP	Windows XP
	Hard Drive	40GB	40GB
	Non-Display	HPX00N-XAAA-2-3	HPX00N-XAAA-4-3
	10" Touchscreen VGA (640 x 480)	HPX10T-XAAA-2-3	HPX10T-XAAA-4-3
	10" Touchscreen SVGA (800 x 600)	HPX10S-XAAA-2-3	HPX10S-XAAA-4-3
	15" Touchscreen - Std. Bezel XGA (1024 x 768)	HPX15T-XAAA-2-3	HPX15T-XAAA-4-3
	15" Touchscreen - S. Steel Bezel XGA (1024 x 768)	HPX15A-XAAA-2-3	HPX15A-XAAA-4-3
	17" Touchscreen SXGA (1280 X 1024)	HPX17T-XAAA-2-3	HPX15A-XAAA-4-3

InteractX 2.2 Runtime License & Software Included

InteractX 1.92 can be downloaded to these units or pre-installed at the factory.

\* All HPX models shown with AC power. DC Power is also available on all models.

<sup>^</sup> 1.0GB DRAM (not shown) is also available on "Better" configurations

<sup>^^</sup> 2.0GB DRAM (not shown) is also available on "Best" configurations

## HPC Model Number Examples

Parker Product Code: 871	
Description	Model #
No Display - AC Power - 2.0 GHz Celeron - CD ROM - HD	HPC00N-27-XGA-BD3
10" VGA (640x480) - Color TFT - AC Power - 2.0 GHz Celeron - CD ROM - HD	HPC10T-27-XGA-BD3
10" SVGA (800x600) - Color TFT - DC Power - 2.0 GHz Celeron - CD ROM - HD	HPC10S-37-XGA-BD3
15" XGA (1024x768) - Color TFT - Standard Bezel - AC Power - 2.0 GHz Celeron - CD ROM - HD	HPC15T-27-XGA-BD3
15" XGA (1024x768) - Color TFT - Stainless Steel Bezel - DC Power - 2.0 GHz Celeron - CD ROM - HD	HPC15A-37-XGA-BD3
17" SXGA (1280x1024) - Color TFT - AC Power - 2.0 GHz Celeron - CD ROM - HD	HPC17T-27-XGA-BD3

### NOTE:

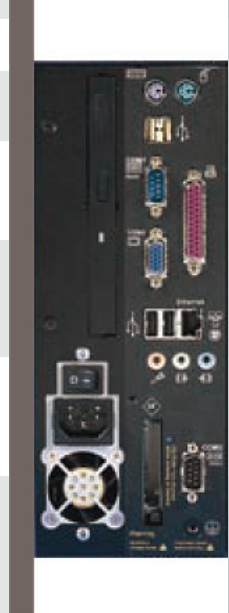
All HPC models shown with 2.0 GHz Celeron processor and 256MB DRAM. Models are also available with 2.8 GHz P4 processor and up to 2.0GB DRAM.

All published product specifications are subject to change without notice.





Categories	Features	10" Display(HPC/HPX10)	15" Display (HPC/HPX15)	17" Display (HPC/HPX17)	Remote (HPC/HPX00)
Display	Specification	10" Color TFT 10.4" (264mm) VGA (640x480) Resolution 450 NIT brightness Viewing Angle: U/D = 50/60°, L/R = 70/70° SVGA (800x600) Resolution 350 NIT brightness Viewing Angle: U/D = 40/70°, L/R = 70/70°	15" Color TFT 15.1" (380mm) Diagonal XGA (1024x768) Resolution 260 NIT brightness Viewing Angle: U/D = 55/80°, L/R = 80/80°	17" Color TFT 17.0" (432mm) Diagonal SXGA (1280x1024) Resolution 350 NIT brightness Viewing Angle: U/D = 75/65°, L/R = 70/70°	Remote Unit No Display 2048x1536 max. monitor resolution
	Interface	Analog Resistive Touchscreen			
Operating System		Windows XP Professional or Windows 2000			
HMI Software		InteractX Unlimited Tag HMI Runtime software and license* (HPX)			
Processor Support		2.0GHz Celeron or 2.8 GHz Pentium 4 Socket 478			
	Chipset	Intel 845GV/ICH4 • 400/533MHZ FSB • Intel Extreme Graphics			
Memory	System	256MB Shared DDR 200/266 (2) 184-Pin Slots, 2.0GB Max.			
	Video	64MB+ Shared System Memory			
Storage Options	Hard Drive CompactFlash Floppy/CD ROM)	(1) 3.5" 80GB**, 160GB Optional, Enhanced IDE (1) External Type II slot (IDE Bootable) Floppy N/A CD ROM CDR, CDRW, or DVD-ROM or None (Bootable)			
Ports	Keyboard Mouse USB Serial Ethernet Parallel External Video Audio	(1) PS/2, with over current protection (1) PS/2, with over current protection (4) 2.0/1.1 ports Type-A, with over current protection (2) RS232 9-Pin D-sub and (1) RS232/422/485 selectable (1) 10/100Base-T w/ RJ45 (1) 25-Pin D-sub (1) Analog 15-Pin D-sub connector (max. resolution 2048x1536) (1) Amplified Output, (1) Line Input, (1) Microphone, AC97			
Expansion Slots		None Standard Optional PCI Slots: (2) ¾ Length			
BIOS Options		Plug-n-Play Configurable Boot Devices: • Hard Drive • CD ROM • CompactFlash • LAN • USB			
Package	Temperature Range	0-50°C			
	Rel. Humidity Vibration Shock	5-95% (non-cond.) 10-500 Hz .5grms (random-operational-HD) 10-500 Hz 1grms (random-operational-CompactFlash) 10G, 11 msec (operating) 30G, 11 msec (non-operating)			
Power Requirement		24 VDC, 2A maximum 90-250 VAC; 50/60 Hz			
Agency Approval		UL/CUL; CE; Optional Class 1 Division 2			



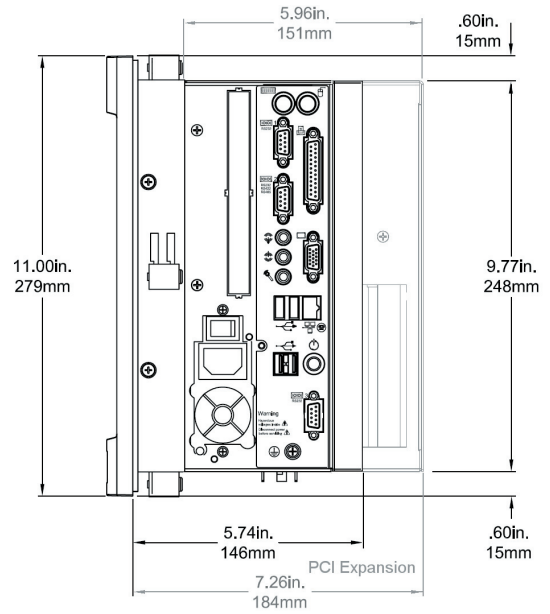
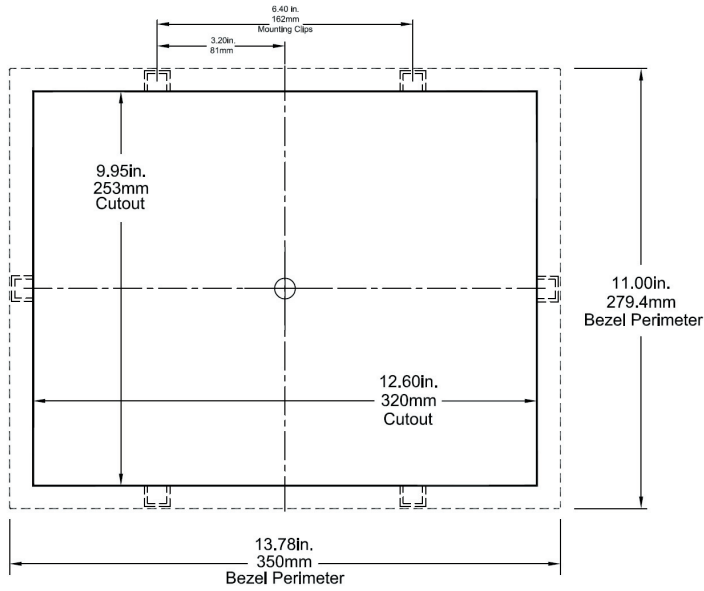
For more information about HPC/X PowerStations visit [ctcusa.com](http://ctcusa.com) or call us at **1.800.233.3329**

\* InteractX 2.1 or later recommended  
\*\* Actual storage volumes may be higher

All published product specifications are subject to change without notice.

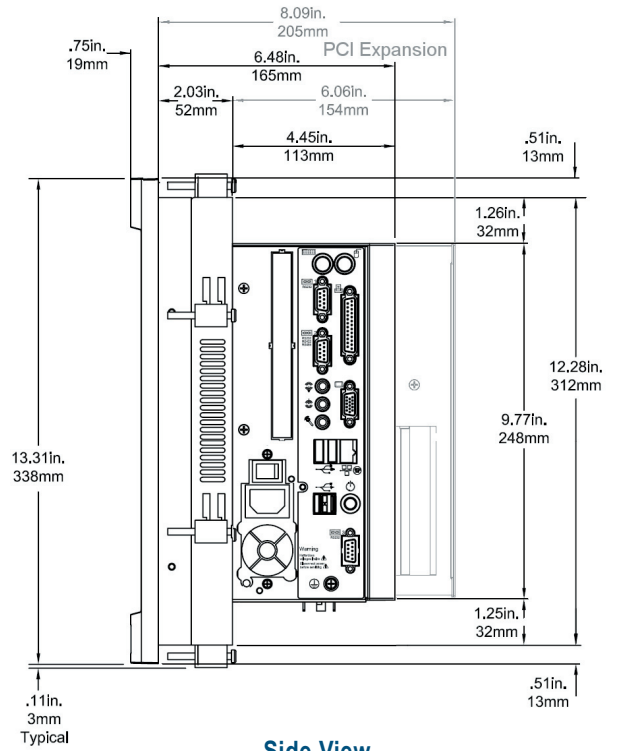
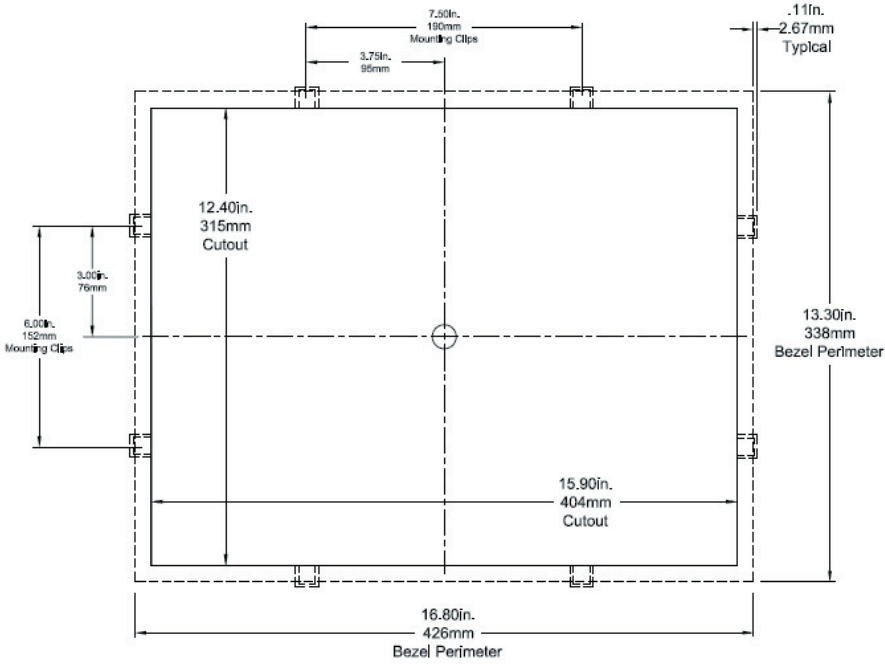


HPC/X10 Cutout Dimensions:



Side View

HPC/X15 Cutout Dimensions:

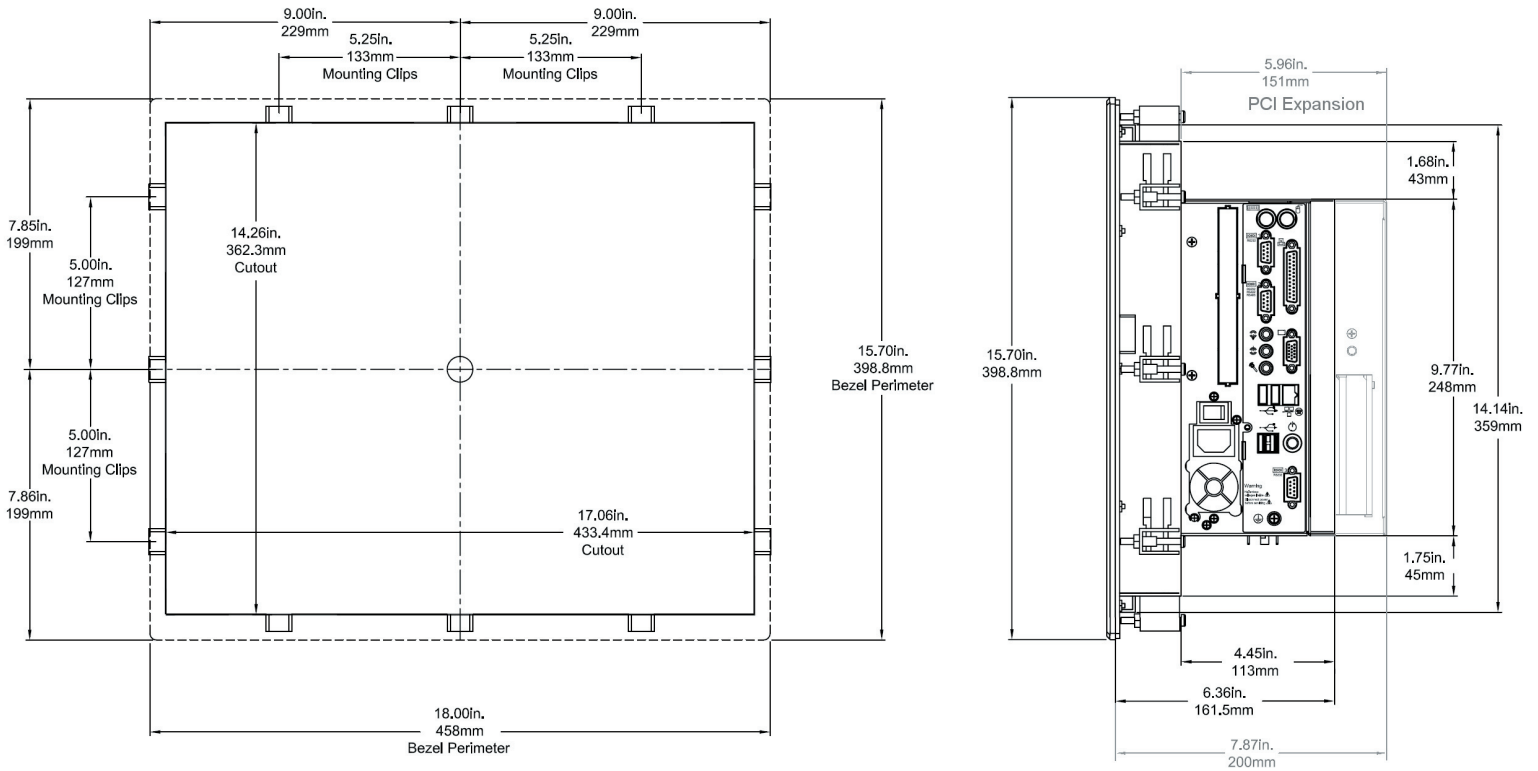


Side View

All published product specifications are subject to change without notice.

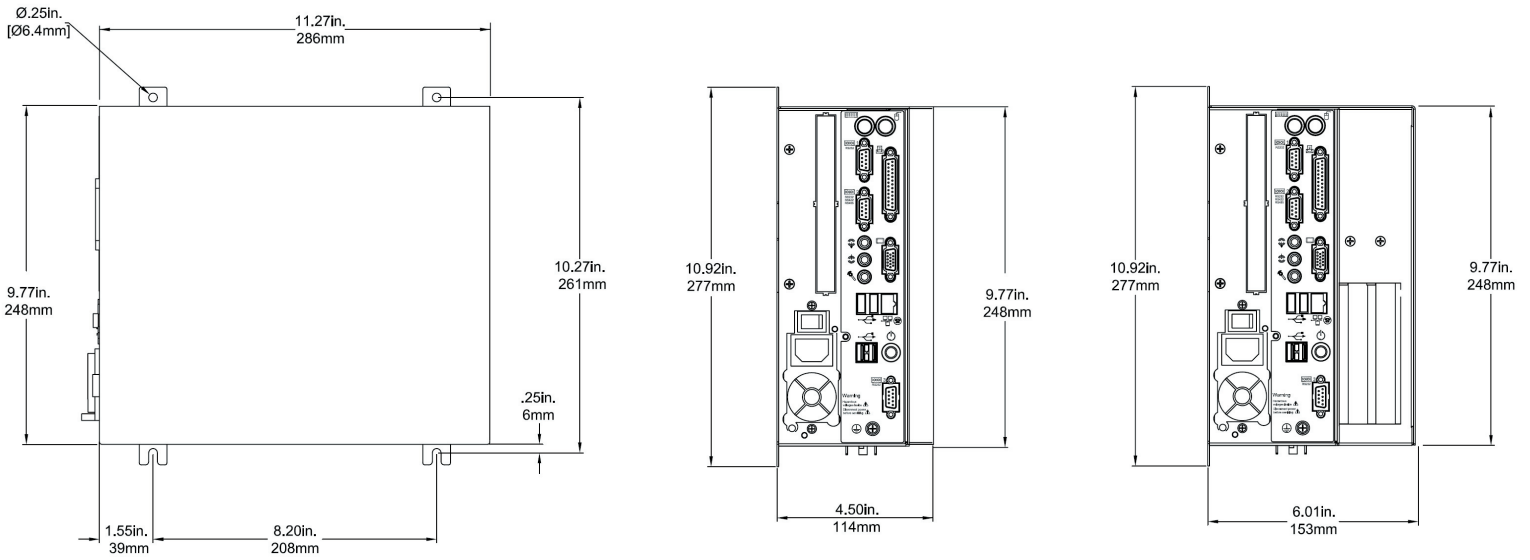


**HPC/X17 Cutout Dimensions:**



**Side View**

**HPC/X00 Dimensions:**



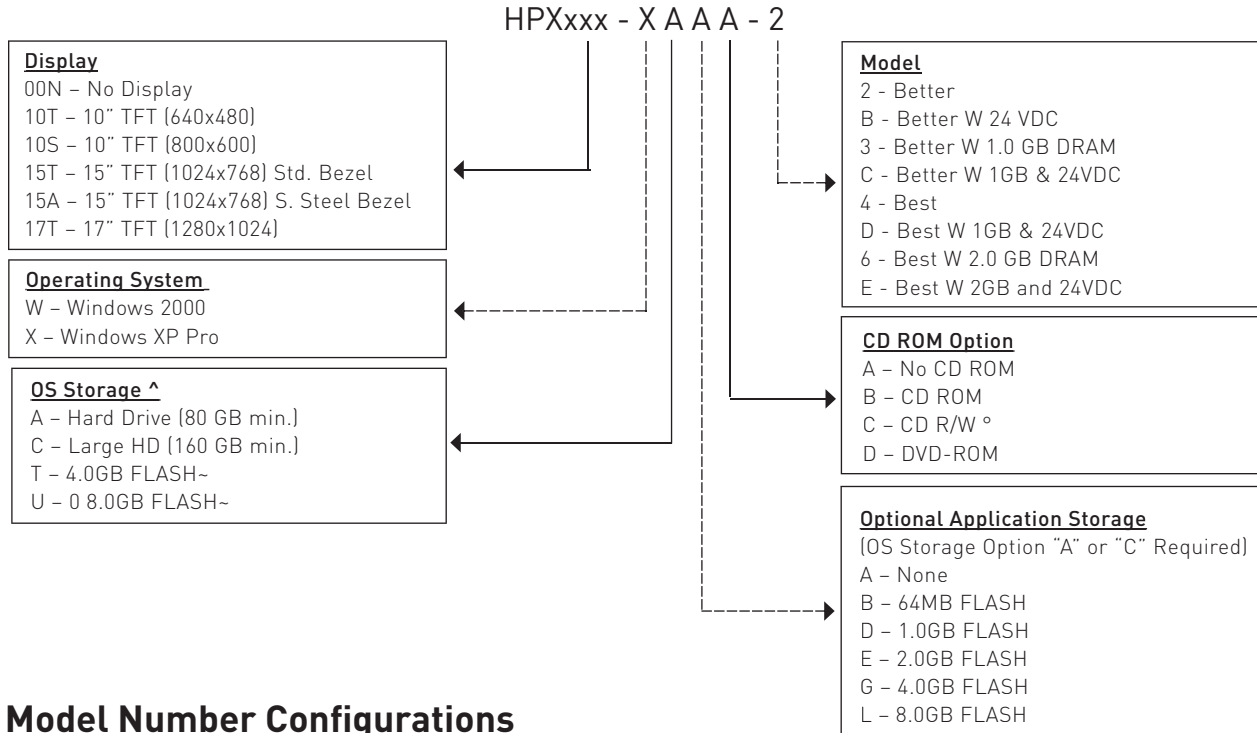
**Side View**

**Side View  
with PCI Expansion**

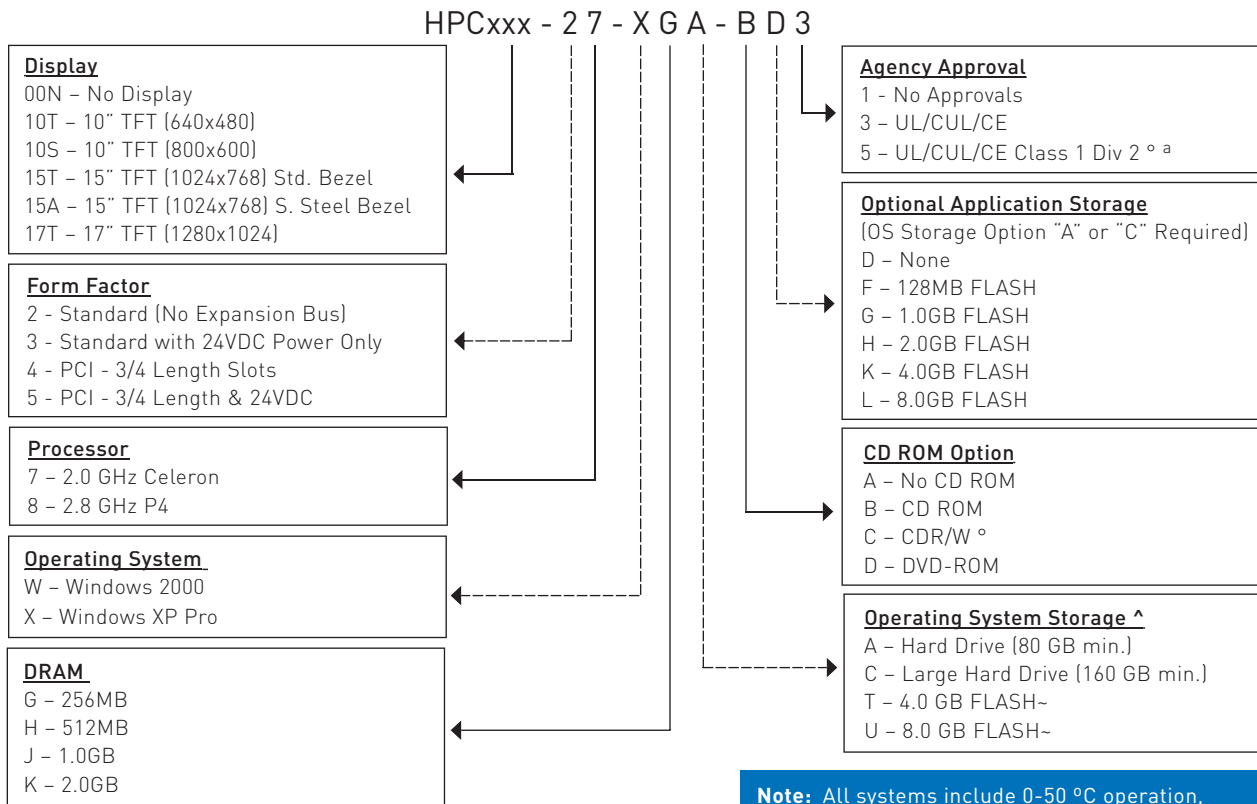
All published product specifications are subject to change without notice.



## HPX Model Number Configurations



## HPC Model Number Configurations



^ Actual storage volumes may be higher.  
~ 1GB DRAM recommended with Compact Flash Based systems  
° Class 1 Div 2 option not available with CDR/W option.  
a C1D2 systems now ship with USB and PS/2 ports uncovered.

**Note:** All systems include 0-50 °C operation, 110VAC power and agency approvals for CE, UL & CUL. Display based systems include an analog resistive touchscreen, NEMA 4/4X rated package.

All published product specifications are subject to change without notice.