

XPR PowerStations

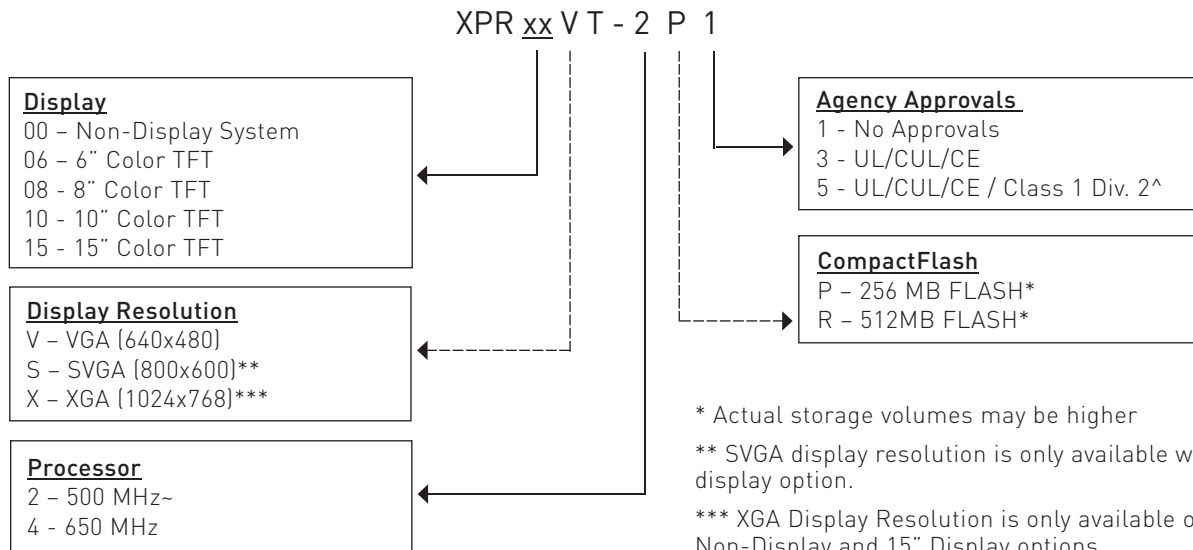


Distributed HMI in a Durable and Affordable Package

This CTC-designed and manufactured XPR PowerStation line offers a hardware/software solution that simplifies and cost-reduces Distributed HMI applications. Available with a 6", 8", 10", 15" TFT panel mount touchscreen or new non-display system, XPR models are designed to optimize the performance, storage and connectivity features of Interact Xpress™ HMI software.

This NEMA4/4X-rated family of CE-based workstations features the latest embedded processor technology supporting fanless operation, CompactFlash® storage, USB, serial and 100BaseT Ethernet connectivity, as well as an industry-leading 24 month warranty and free phone-based technical support

Model Number Configurations



* Actual storage volumes may be higher
 ** SVGA display resolution is only available with 10" display option.
 *** XGA Display Resolution is only available on the Non-Display and 15" Display options.
 ~ 500 MHz Processor option is only available with Non-Display and 6" models. 650 MHz Processor is only available with 8.0", 10.4" and 15" Display models.
 ^ Class 1 Division 2 is an extra cost option.

Units are 24VDC. Use P1X-PWRAC power supply for AC power. Power supply cannot be mounted on back of unit.

PA/EPX/XPR/XPC AC Power Supply P1X-PWRAC

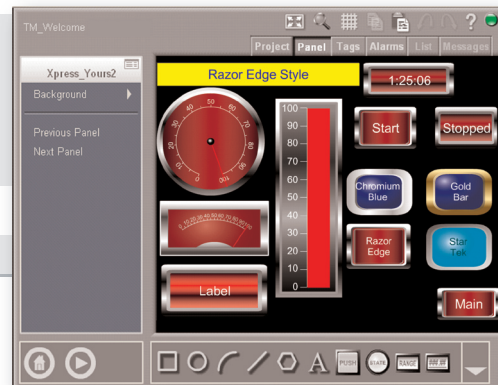
All published product specifications are subject to change without notice.



Note:
 All systems include 0-50 °C operation, 24VDC power and agency approvals for CE, UL & CUL. Display based systems include an analog resistive touchscreen, NEMA 4/4X rated package.



Categories	Features	Non-Display (XPR00)	6" Display (XPR06)	8" Display (XPR08)	10" Display (XPR10)	15" Display (XPR15)
Display	Specification	Remote Unit No Display	6" Color TFT 5.7" (145mm) Diagonal VGA (640x480) Resolution 350 NIT, 262,144 Color TFT Viewing Angle: +/- 80° L/R, 80° U, 70° D 75,000 hour backlight (to half brightness)	8" Color TFT 8.0" (203mm) Diagonal VGA (640x480) Resolution 380 NIT, 262,144 Color TFT Viewing Angle: +/-65° L/R, 65° U, 55° D 20,000 hr. backlight (to half brightness)	10" Color TFT 10.4" (264mm) Diagonal VGA (600x480) Resolution SVGA (800x600) Resolution 350 NIT, 262,144 Color TFT Viewing Angle: +/-70° L/R, 40°U, 70°D 50,000 hour backlight (to half brightness)	15" Color TFT 15.0" (380mm) Diagonal XGA (1024x768) Resolution 260 NIT, 262,144 Color TFT Viewing Angle: +/-80° L/R, 55°U, 65°D 50,000 hour backlight (to half brightness)
	Interface	Analog Resistive Touchscreen				
Operating System		Windows CE version 5.0				
Processor Support	Processor Cache	CPU 500MHz LX800 processor (XPR00/06) 256KB (L1/L2)		CPU 650MHz Celeron ULV Processor (XPR08/10/15) 256KB (L2)		
Memory	System Video	256MB Shared DDR Memory (1) 200-pin SODIMM socket, 256MB (std.) 24MB Shared System Memory		256 MB Shared Memory (1) 144-pin SODIMM socket, 256MB (std.) 8MB Shared System Memory		
Storage Options	CompactFlash Floppy/CD ROM	128MB* CompactFlash External Type II slot (IDE Bootable) External connection via USB				
Ports	Keyboard Mouse USB Serial Ethernet Audio	USB 2.0 USB 2.0 (2) USB 2.0 ports Type-A, CD/Floppy/USB Drive bootable with over current protection (1) RS232 9-Pin D-sub (1) RS232/422/485 9-Pin D-sub (1) 10/100Base-T w/ RJ45 Stereo output, 1/8" mini plug		PS/2 PS/2 (2) USB 1.1 ports Type-A, CD/Floppy/USB Drive bootable with over current protection (1) RS232 9-Pin D-sub (1) RS232/422/485 9-Pin D-sub (1) 10/100Base-T w/ RJ45 No Audio		
Expansion Slots		N/A				
BIOS Options		Plug-n-Play Configurable Boot Devices: • CompactFlash • USB (CD/ROM, Floppy, Thumb Drive)				
Package	Temperature Range Rel. Humidity Vibration Shock	0-50°C 5-95% (non-cond.) 10-500 Hz .5grms (random-operational-HD) 10-500 Hz 1grms (random-operational-CompactFlash) 10G, 11 msec (operating) 30G, 11 msec (non-operating)				
Power Requirement		24 VDC, 2A maximum, Optional AC Adaptor				
Agency Approval		CE; UL/CUL; Class 1 Div. 2				



* Actual storage volumes may be higher

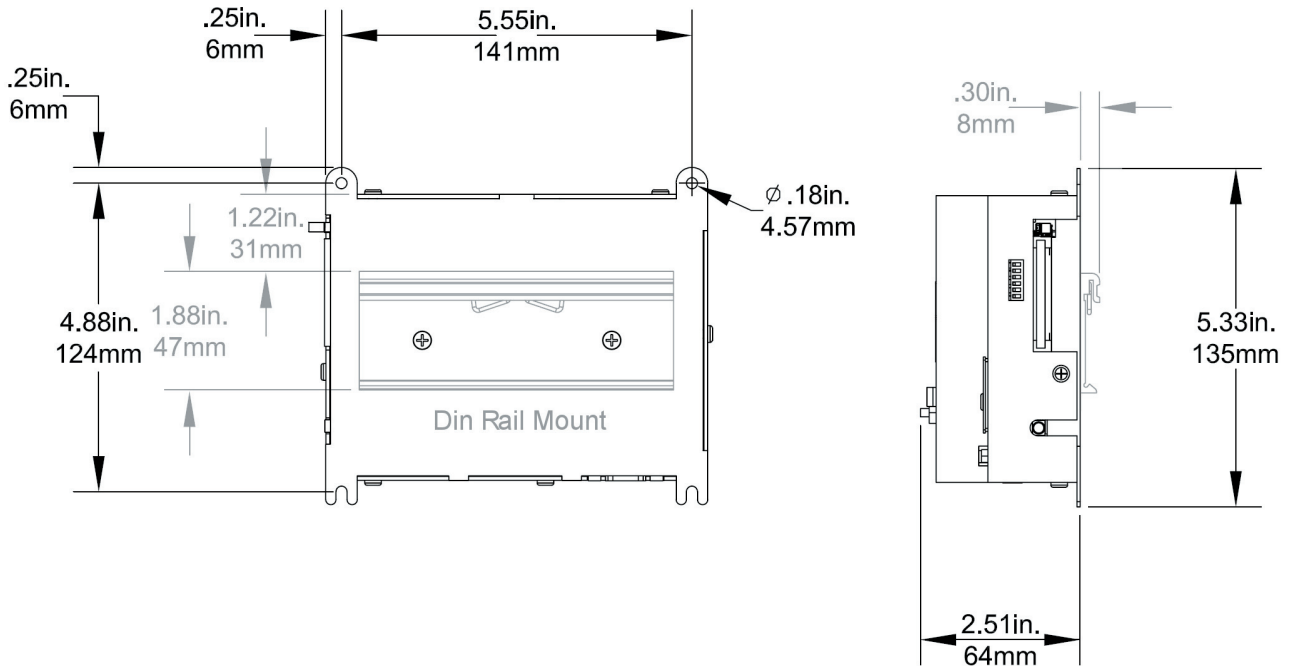
For more information about XPR PowerStations
visit parkermotion.com/Xpress
or call us at **1.800.233.3329**

XPR PowerStations come with Interact Xpress™ software pre-installed, a new HMI solution that fully leverages the wide availability of web browsing software to enable Distributed HMI, remote support and application sharing on the Internet and IP Networks. Xpress HMI applications are developed, edited, published and run in an HMI that is a Web Server.

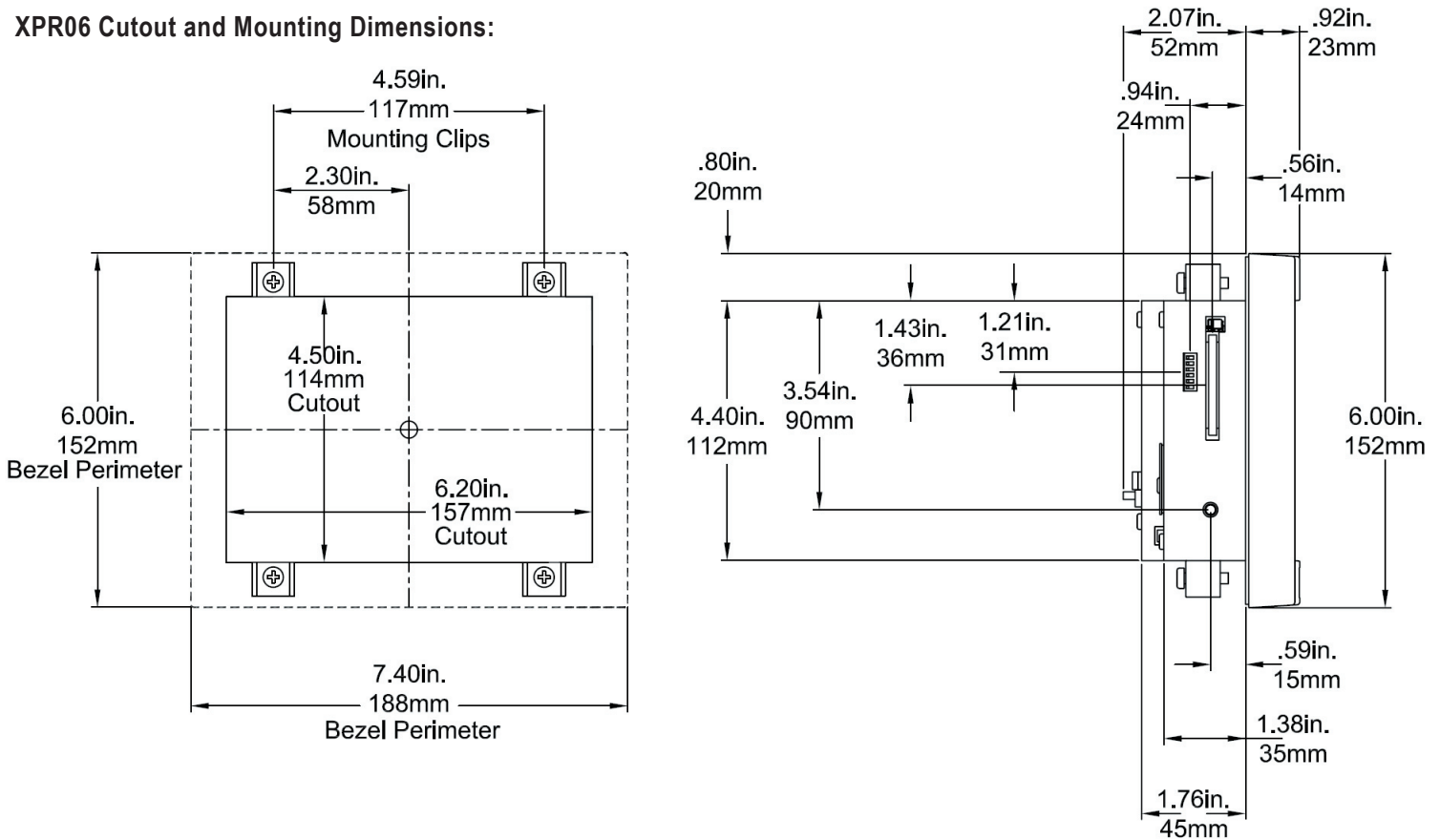
All published product specifications are subject to change without notice.



XPR00 (No Display) Mounting Dimensions:



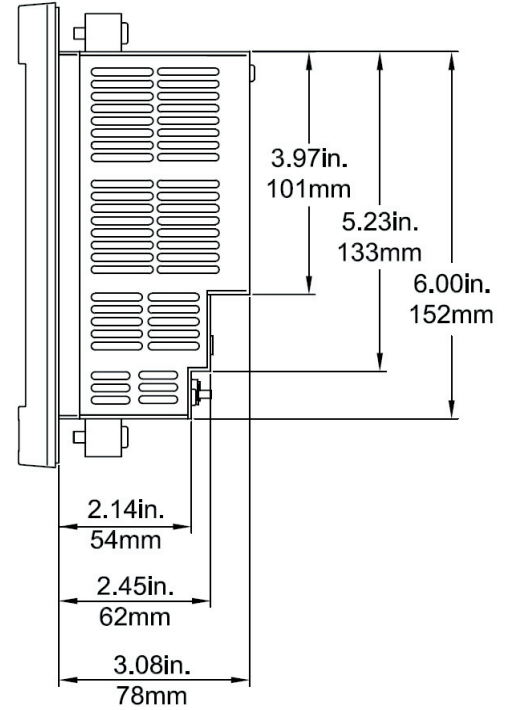
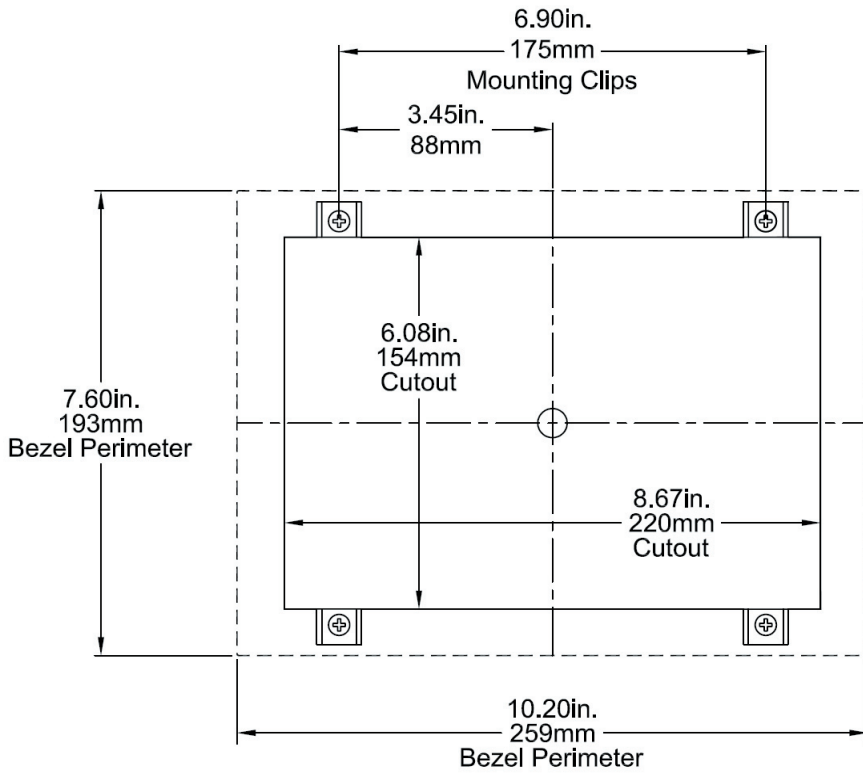
XPR06 Cutout and Mounting Dimensions:



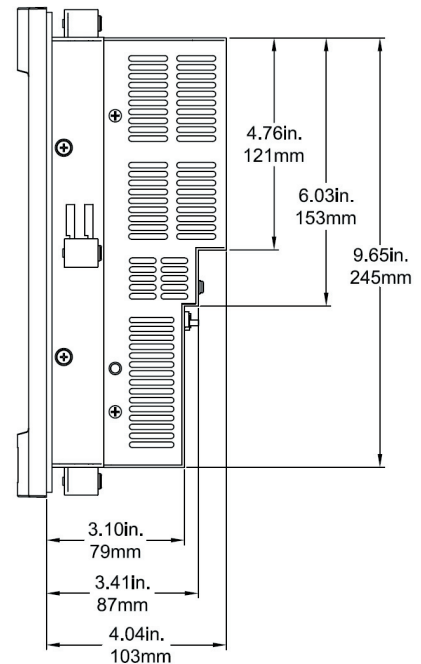
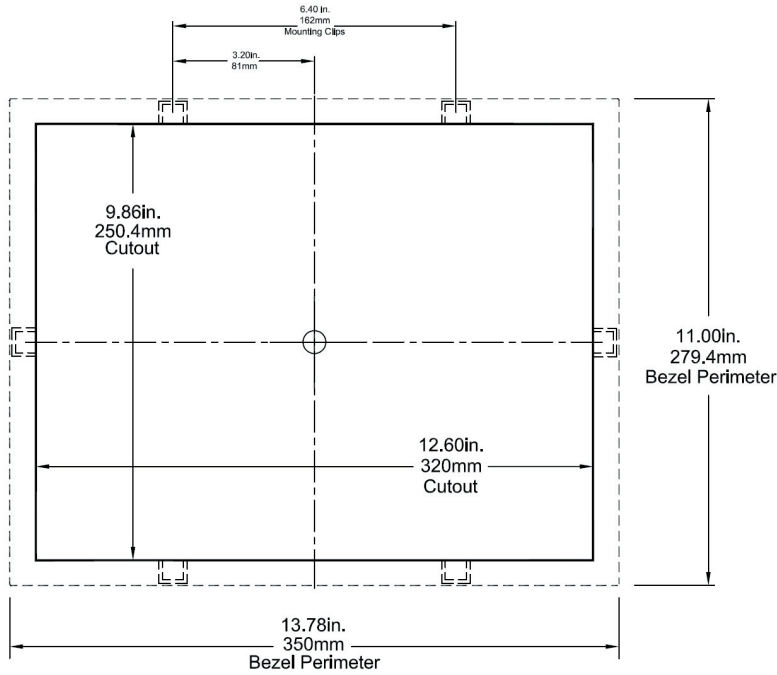
All published product specifications are subject to change without notice.



XPR08 Cutout and Mounting Dimensions:



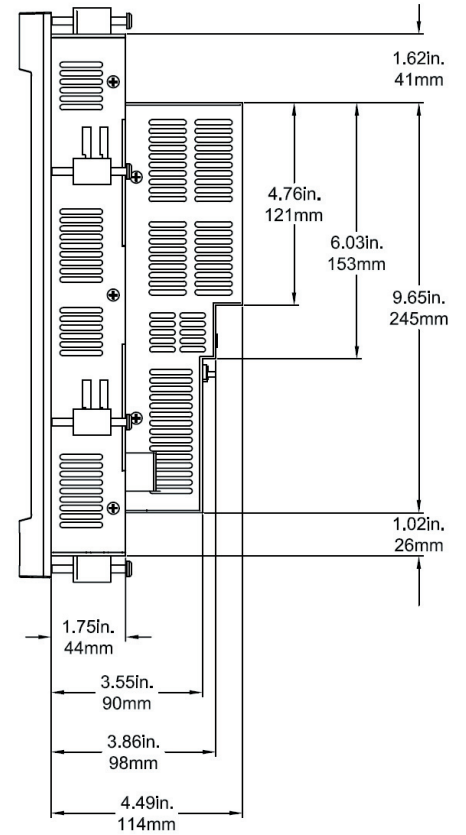
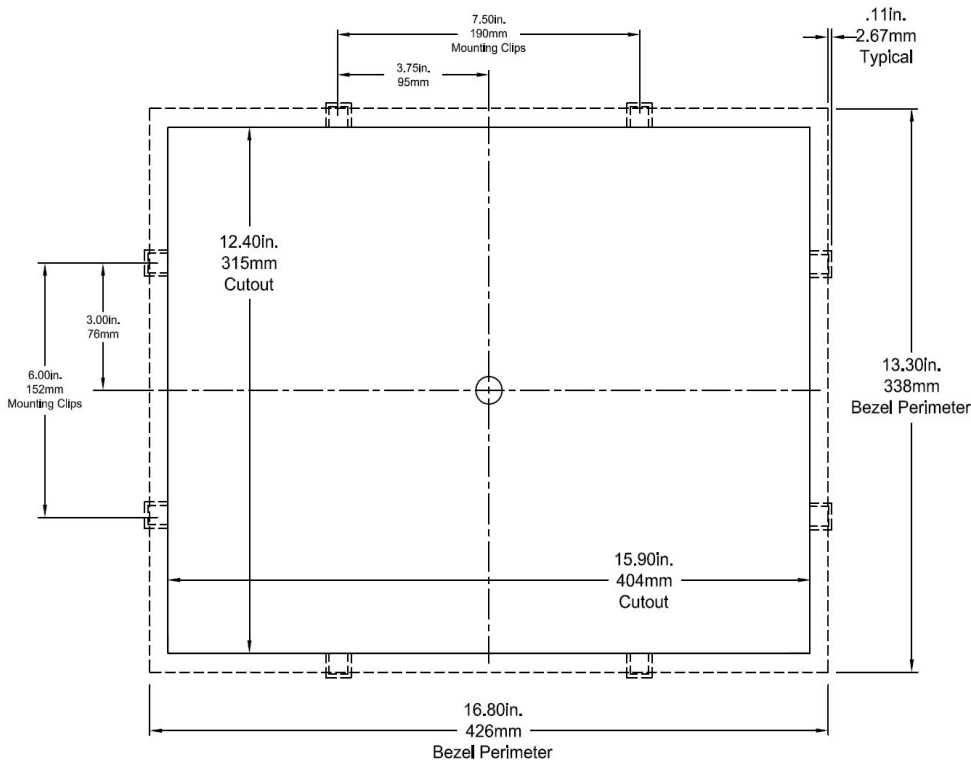
XPR10 Cutout and Mounting Dimensions:



All published product specifications are subject to change without notice.



XPR15 Cutout and Mounting Dimensions:



All published product specifications are subject to change without notice.