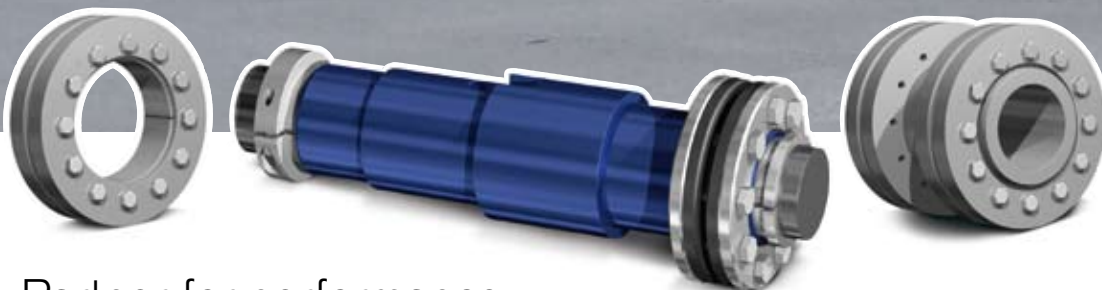


US
08|2009

Shrink Discs[®], Smart-Lock & Shaft Couplings



Partner for performance
www.ringfeder.com





A Global Presence For You

The RINGFEDER POWER TRANSMISSION GMBH was founded in 1922 in Krefeld, Germany to fabricate and promote Friction Spring technology. Today we have expanded our offerings to top power transmission and damping products. Innovative thinking sets us apart and allows us to develop progressive and economical solutions to support our customers.

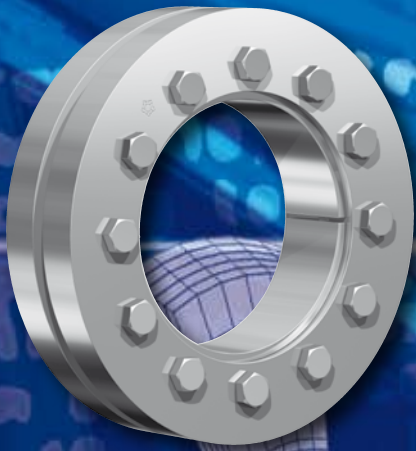




Special applications require special solutions

Our extensive range of RINGFEDER POWER TRANSMISSION products can be applied to solve most applications. We don't just sell, but by understanding the individual requirements of our customers (e.g. loads on the components, easy installation/removal capability and reduction of production costs) assist you in every step with innovative engineering to plan efficient and technically mature solutions.





Shrink Discs®

Overview	Page 6
Characteristics.....	Page 8
RINGFEDER® RfN 4012.....	Page 10
RINGFEDER® RfN 4023.....	Page 12
RINGFEDER® RfN 4051.....	Page 16
RINGFEDER® RfN 4061.....	Page 24
RINGFEDER® RfN 4071.....	Page 32
RINGFEDER® RfN 4073.....	Page 36
RINGFEDER® RfN 4091.....	Page 40
RINGFEDER® RfN 4161.....	Page 48
RINGFEDER® RfN 4171.....	Page 52
RINGFEDER® RfN 4181.....	Page 56
RINGFEDER® RfN 4071 Stainless	Page 60



All technical details and information is non-binding and cannot be used as a basis for legal claims. The user is obligated to determine whether the represented products meet his requirements. We reserve the right at all times to carry out modifications in the interests of technical progress. Upon the issue of this catalogue all previous brochures and questionnaires on the products displayed are no longer valid.

Content

Content

Smart-Lock

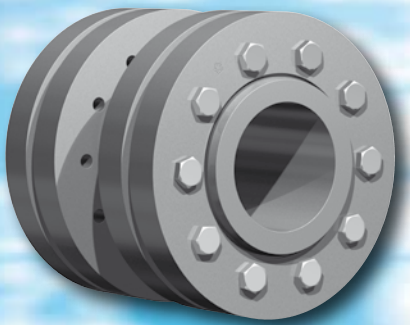


RINGFEDER® RfN 4001 Page 66

Smart-Lock Parts Page 72

Content

Shaft Couplings



Overview Page 74

Characteristics Page 76

RINGFEDER® WK 5071 Page 78

RINGFEDER® WK 5091 Page 82

Installation and removal instructions

Shrink Discs® Page 86

Shrink Discs®
Stainless Page 90

Content

Content

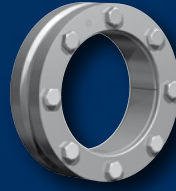
RINGFEDER® Shrink Discs®



RfN 4012
Light Duty Series



RfN 4023
Light Duty Series



RfN 4051
Light Duty Series



RfN 4051
Light Duty Series,
split



RfN 4061
Standard Series



RfN 4061
Standard Series,
split



RfN 4071
Standard Series



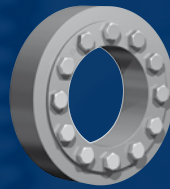
RfN 4071
Standard Series,
split



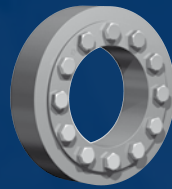
RfN 4073
Ultra Light
Duty Series



RfN 4161
Standard Series



RfN 4171
Standard Series



RfN 4181
Heavy Duty Series



RfN 4091
Heavy Duty Series



RfN 4091
Heavy Duty Series,
split



Characteristics

The Shrink Disc® is the modern method for creating a mechanical shrink fit. The Shrink Disc® consists of either one or two thrust rings with tapered bores and a mating tapered inner ring. By tightening locking screws the thrust rings are drawn together compressing the inner ring and applying pressure to the outside of the hub clamping it to the shaft. Being positioned around the hub there is only one interface transmitting the loads giving the Shrink Disc® method distinct advantages such as offering the possibility of very concentric and well balanced connections that are suited to high speed applications. Traditional shrink fits require complicated calculations, close machining tolerances and fine surface finishes. They also need considerable effort with mounting and removal. The Shrink Disc® connection has none of these disadvantages and is better than any of the other usual connection methods with regard to fatigue strength under alternating torsional stress.

Unlimited range of applications – RINGFEDER® Shrink Disc® connections are suitable for securing all types of hubs onto shafts and axles. Replacing traditional shrink fits, keys and polygon connections, splined shafts etc.

Clearances considered for the calculation of the function values:

d_w		ISO	clearance INCH
above INCH	up to INCH		
0.236	0.394	H6/j6	0.0005
0.394	0.709		0.0007
0.709	1.181		0.0007
1.181	1.969	H6/h6	0.0013
1.969	3.150	H6/g6	0.0019
3.150	4.724	H7/g6	0.0027
4.724	7.087		0.0031
7.087	9.843		0.0035
9.843	12.402		0.0040
12.402	15.748		0.0044
15.748	19.685		0.0048

Any other tolerances can be chosen. As long as the stated max. clearance is not exceeded, there will be no variations of the functional characteristics.

Explanations to tables

d, D, L, l, L₁, L₂, d₁ = Basic dimensions

d_w = solid shaft diameter (provided by the customer)

T = transmissible torque

F_{ax} = transmissible axial force

p = approx. surface pressure on the hub extension (diameter d)

T_A = required tightening torque per screw (Screws greased with molykote or equivalent!)

n = quantity of screws

T_{max} = maximum theoretical transmissible torque

C_w = shaft clearances

C_n = hub tolerances

C_d = shaft tolerances

|l₁ = Inner ring centering shoulder length

d₂ = clamped component bore

x = clamped component thickness

B = width dimension, relaxed condition

R₁ = hub max. radius (split Shrink Disc®)

s_v = calculated combined stress in the hub extension (d/dw) under consideration of the tangential, radial and torsional stresses following the equation:

$$\sigma_v = \sqrt{1/2 [(\sigma_x - \sigma_y)^2 + (\sigma_y - \sigma_z)^2 + (\sigma_z - \sigma_x)^2] + 3\tau^2}$$

Additional loads, e.g. tension, thrust or bending have to be taken into consideration accordingly.

Function values

The functional characteristics are valid with the screw tightening torque listed in the tables and the following assumed conditions:

The locking screws are lubricated using MoS₂ (μ_{tot} = 0.1).

The tapered cones are lubricated using MoS₂ (μ = 0.05).

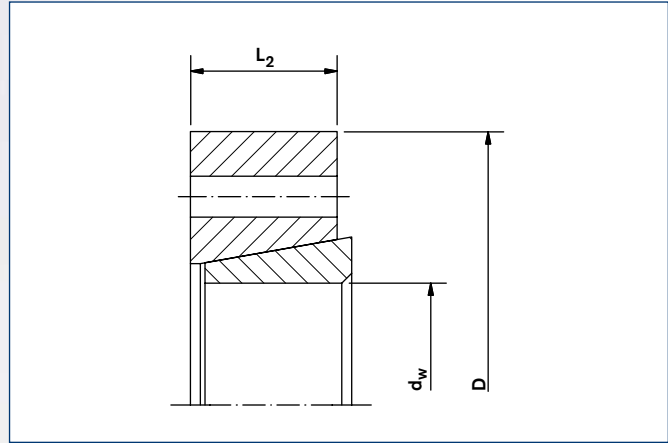
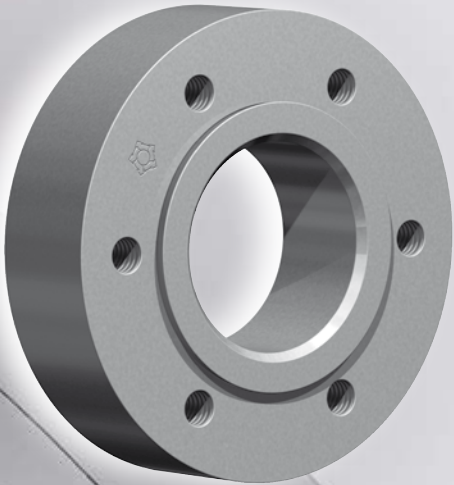
The contact surfaces (d_w) are in lightly oiled condition with coefficient of friction μ = 0.12.

The hub and shaft materials have a modulus of elasticity of 30 x 10⁶ PSI. (Lower values result in increased values for T and Fax with reduced tangential stress.)

The maximum clearance is being fully utilized.

The shaft being used is solid, for hollow shaft applications the functional values will change.

In cases where the assumed conditions do not apply then contact our Technical Department where we will be happy to assist you with your application.



SDA RfN 4012 with tapped holes
SDC RfN 4012 with clearance holes

Characteristics

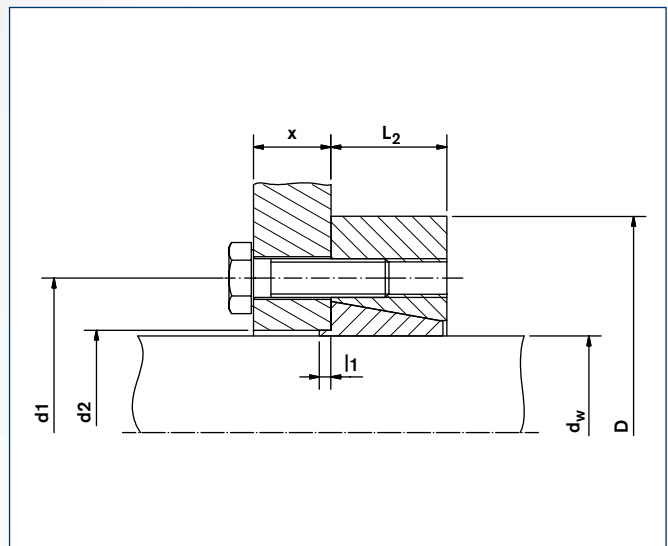
Reduced dimensions with lower transmission values – especially for applications with restricted space.

Simplified manufacture – only plain shaft and bore diameters with easily achieved surface finish and tolerances are required.

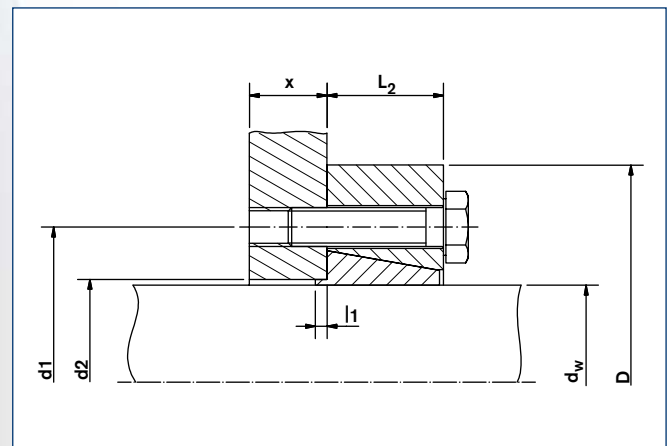
Easy adjustability – No stops, steps, keyways, splines etc. are required, therefore hubs can be located and locked at any point or angle on the shaft.

Easy mounting – RINGFEDER® Shrink Discs® use standard screws and tightened using standard tools. No additional machining or fitting work is required.

Easy removal – after loosening the locking screws, the RINGFEDER® Shrink Disc® will self release and the hub will move freely on the shaft.



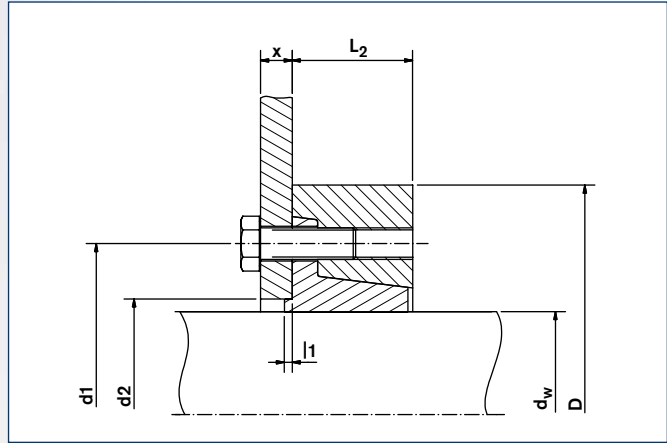
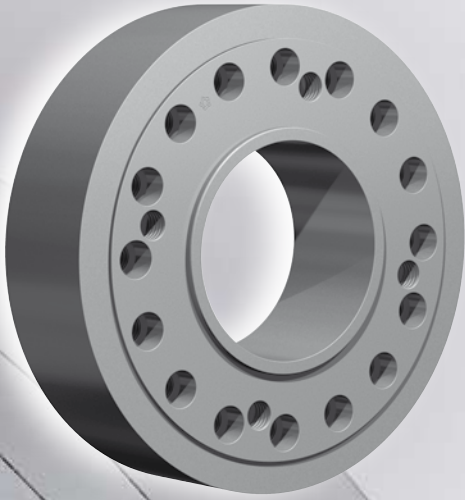
SDB RfN 4012



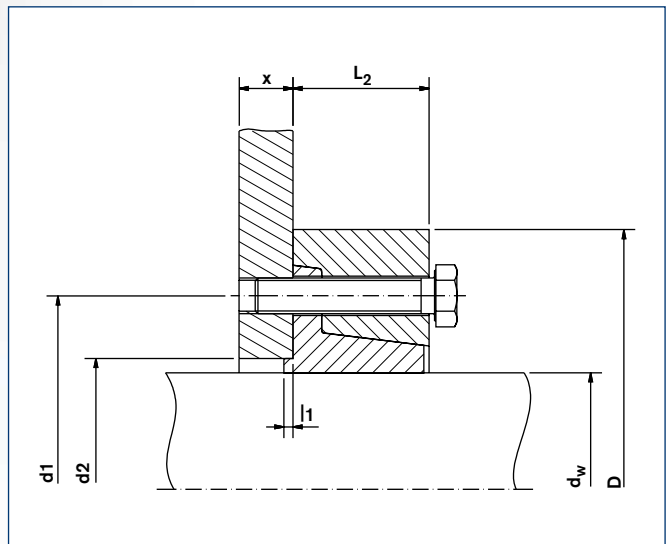
Shrink Disc® RINGFEDER® SDD RfN 4012 · Dimensions

Type	d _w	Cd	D	d ₁	d2 h7	Ch	L ₂	l1	T _A	Transmissible Torques	Locking screws* DIN EN ISO 4014-10.9		Weight
										T	Quantity	Thread	WT
										lb-ft	n		lbs
10 SD-x	0.354	+0 -0.0004	1.535	0.984	0.472		0.394	0.059	9	15	3	M6	0.2
12 SD-x	0.433		1.732	1.102	0.551		0.512	0.059	9	15	3	M6	0.2
	0.433									37			
15 SD-x	0.512	+0 -0.0006	2.047	1.417	0.709		0.591	0.079	22	37	3	M8	0.4
	0.551	96											
20 SD-x	0.630		2.362	1.654	0.866		0.669	0.079	22	96	3	M8	0.7
	0.630									148			
25 SD-x	0.787		2.598	1.890	1.063		0.748	0.079	22	148	5	M8	0.9
	0.787									251			
30 SD-x	0.984	+0 -0.0007	2.992	2.205	1.260		0.827	0.079	22	251	6	M8	1.3
	0.984	406											
40 SD-x	1.181		3.780	2.756	1.693		0.984	0.118	44	406	6	M10	2.6
	1.181									782			
50 SD-x	1.575	+0 -0.0013	4.409	3.307	2.087		1.181	0.118	74	782	7	M12	4.0
	1.575	1106											
	1.969									1623			

Design SDA and SDC without centering · Ordering example: 40 SDA 35 RfN 4012 · * Shrink discs® delivered without screws



Shrink Disc® RINGFEDER® SDB RfN 4023 · Location



Shrink Disc® RINGFEDER® SDD RfN 4023 · Dimensions

Type	Shrink Disc® Dimensions									Transmissible Torques T	Locking screws* DIN EN ISO 4014-10.9		Weight WT
	d _w	Cd	D	d ₁	d ₂	Ch	L ₂	l ₁	T _A		Quantity	Thread	
	Inch	Inch	Inch	Inch	Inch	Inch	Inch	Inch	lb-ft		lb-ft	n	
50 SD-x	1.575	+0 -0.0011	4.528	3.307	2.087	+0 -0.0010	1.181	0.118	74	1033	7	M12	4.4
	1.969									2434			
60 SD-x	1.969		4.724	3.700	2.480	+0 -0.0012	1.339	0.118	74	1696	9	M12	4.8
	2.362									3466			
70 SD-x	2.362		5.827	4.409	2.913	+0 -0.0012	1.575	0.157	184	4278	8	M16	10
	2.756									6933			
80 SD-x	2.756		6.693	5.118	3.307	+0 -0.0014	1.732	0.157	184	5900	9	M16	13
	3.150									8850			
90 SD-x	3.150		7.283	5.669	3.701	+0 -0.0014	1.969	0.157	184	8850	12	M16	18
	3.543									13275			
100 SD-x	3.543	7.756	6.142	4.094	+0 -0.0014	2.126	0.157	184	11800	14	M16	21	
	3.937								16963				
110 SD-x	3.937	8.465	6.535	4.567	+0 -0.0016	2.283	0.197	362	16225	10	M20	27	
	4.331								19913				
120 SD-x	4.331	9.055	7.323	4.961	+0 -0.0016	2.559	0.197	362	24338	14	M20	75	
	4.724								31713				
140 SD-x	4.724	11.417	8.504	5.748	+0 -0.0018	2.992	0.197	362	28763	16	M20	145	
	5.512								41300				
160 SD-x	5.512	12.598	9.213	6.535	+0 -0.0018	3.268	0.197	627	47200	14	M24	189	
	6.299								56788				
180 SD-x	6.299	13.386	10.870	7.323	+0 -0.0018	3.701	0.197	627	62688	16	M24	105	
	7.087								76700				
200 SD-x	7.087	14.567	11.420	8.110	+0 -0.0018	3.780	0.197	922	84075	16	M27	125	
	7.874								106200				

Design SDA and SDC without centering · Ordering example: 40 SDA 35 RfN 4023 · * Shrink discs® delivered without screws

To continue see next page

Characteristics

Reduced dimensions with lower transmission values – especially for applications with restricted space.

Simplified manufacture – only plain shaft and bore diameters with easily achieved surface finish and tolerances are required.

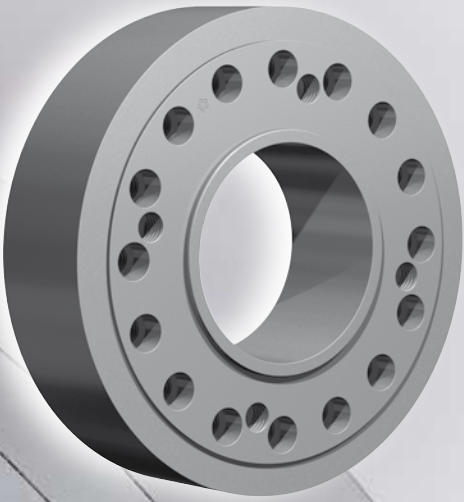
Easy adjustability – No stops, steps, keyways, splines etc. are required, therefore hubs can be located and locked at any point or angle on the shaft.

Easy mounting – RINGFEDER® Shrink Discs® use standard screws and tightened using standard tools. No additional machining or fitting work is required.

Easy removal – after loosening the locking screws, the RINGFEDER® Shrink Disc® will self release and the hub will move freely on the shaft.

Low susceptibility to contamination – when the locking screws are tightened the contact (functional) surfaces are pressed firmly together and prevent contamination by dirt and moisture.

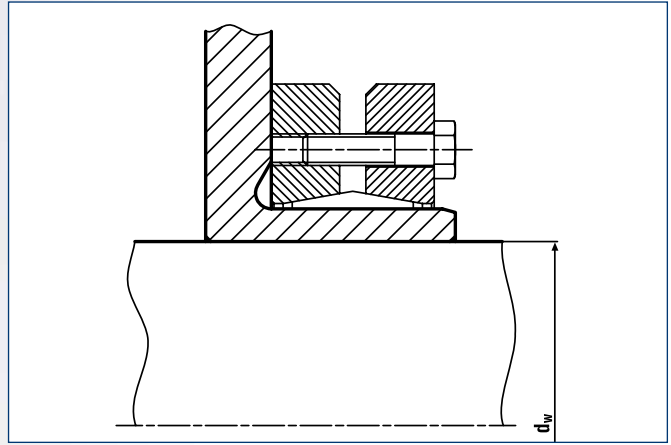
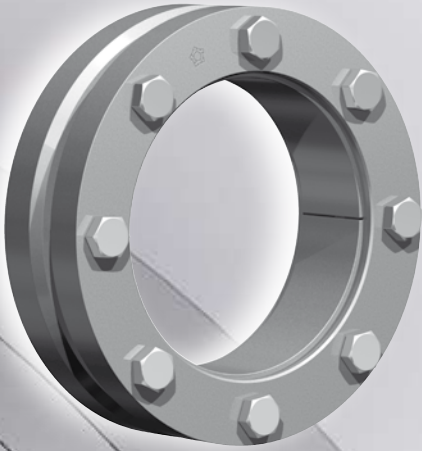
Highest reliability – due to the materials chosen and manufacturing processes used, RINGFEDER® Shrink Discs® can be tightened and released as often as required. If locking screws need replacing, they are standard items and thus easily available.



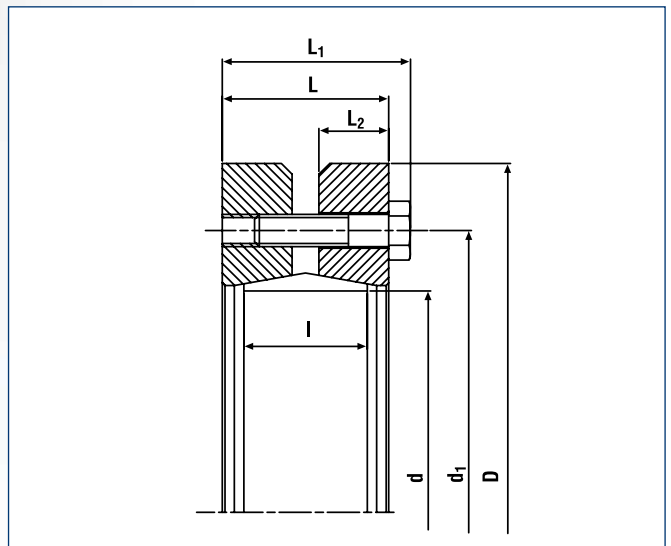
Type	Shrink Disc® Dimensions									Transmissible Torques T	Locking screws* DIN EN ISO 4014-10.9		Weight WT
	d _w	Cd	D	d ₁	d ₂	Ch	L ₂	l ₁	T _A		Quantity	Thread	
	Inch	Inch	Inch	Inch	Inch	Inch	Inch	Inch	lb-ft		lb-ft	n	
220 SD-x	7.874	+0 -0.0035	15.945	12.598	8.898	+0 -0.0018	3.937	0.197	922	117263	18	M27	156
240 SD-x	8.661		16.929	13.386	9.685		4.331	0.197	922	131275 155613	20	M27	189
260 SD-x	8.661	+0 -0.0040	18.110	14.016	11.260	+0 -0.0020	4.882	0.197	922	155613 172575	21	M27	241
280 SD-x	9.449		19.094	14.173	12.05		5.118	0.197	922	171100 172575	21	M27	275
300 SD-x	10.236	+0 -0.0044	20.472	14.961	12.99	+0 -0.0022	5.118	0.197	922	172575 182163	21	M27	317
320 SD-x	10.236		21.654	15.827	13.780		5.354	0.315	922	182163 220513	24	M27	367
340 SD-x	11.024	+0 -0.0048	22.441	16.693	14.57	+0 -0.0025	5.630	0.315	922	220513 232313	24	M27	403
360 SD-x	11.024		24.016	17.874	15.75		5.787	0.315	1254	232313 302375	24	M30	480
390 SD-x	11.811	+0 -0.0048	24.803	19.134	16.93	+0 -0.0025	6.575	0.315	1254	302375 323763	24	M30	550
420 SD-x	11.811		26.378	19.921	17.72		6.890	0.394	1254	323763 337038	24	M30	642
440 SD-x	12.598	+0 -0.0048	27.559	21.024	18.5	+0 -0.0025	6.890	0.394	1254	337038 414475	28	M30	700
	12.598										414475		

Design SDA and SDC without centering · Ordering example: 40 SDA 35 RfN 4023 · * Shrink discs® delivered without screws

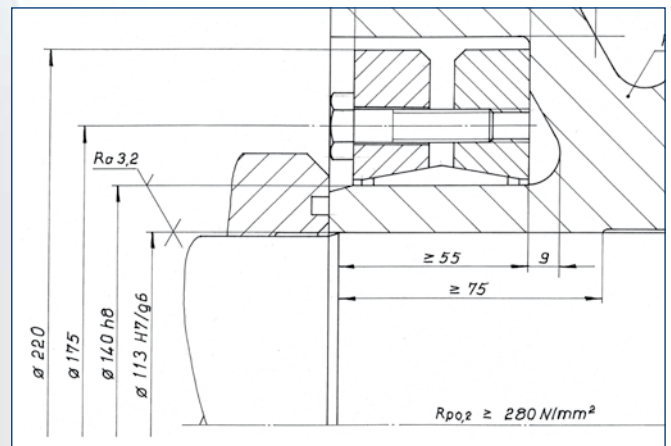
More sizes on request



Shrink Disc® RINGFEDER® RfN 4051 · Location



Shrink Disc® RINGFEDER® RfN 4051 · Dimensions



Thrust bearing locking collar (metric example)

Size	Shrink Disc® dimensions										Transmissible torques or axial forces					Locking screws DIN EN ISO 4014-10.9		Weight	
	d _w	C _w	d	Ch	D	L ₁	L	d ₁	L ₂	l	T _A	T	F _{ax}	P	σ _v	Quantity	Thread	WT	T _{max}
	Inch	Inch	Inch	Inch	Inch	Inch	Inch	Inch	Inch	Inch	lb-ft	lb-ft	lbs	psi	psi	n		lbs	lb-ft
125	3.740	0.0027	4.921		7.283	2.283	2.008	6.220	0.866	1.535	44	7781	49456	27695	40310	8	M10x40	13	9736
	4.134											10178	58448		41760				12723
	4.331											10916	59572		38860				13645
140	4.921	0.0031	5.512		8.661	2.283	2.008	6.890	0.866	1.535	44	15120	73060	27840	45675	9	M10x40	18	18900
	5.118											17701	82052		42485				22127
155	5.512	0.0035	6.102	+0 -0.0025	9.646	2.283	2.008	7.559	0.866	1.535	44	21389	92168	30740	48430	11	M10x40	22	26737
	5.315											23602	106780		43210				29502
	5.709											28396	119144		47415				35495
165	5.709	0.0031	6.496		10.236	2.756	2.441	8.268	1.024	1.811	74	28765	120268	32480	47415	10	M12x50	31	35956
	5.709											28765	120268		43790				35956
175	6.102	0.0031	6.890		10.827	2.756	2.441	8.661	1.024	1.811	74	33928	132632	33640	48430	11	M12x50	35	42410
	6.102											34370	134880		44515				42963
	6.496											39828	146120		49445				49785
185	6.496	0.0035	7.283		11.614	2.756	2.441	8.858	1.024	1.811	74	46466	170848	34800	44370	12	M12x50	44	58083
	6.496											46466	170848		44370				58083
	6.890											53473	185460		51475				66841
195	6.890	0.0031	7.677		12.402	3.150	2.835	9.331	1.220	2.205	74	54579	191080	33785	48430	15	M12x55	60	68316
	6.890											54579	191080		48430				68316
200	7.283	0.0028	7.874	+0 -0.0028	12.992	3.150	2.835	9.528	1.220	2.205	74	62324	205692	35235	63800	16	M12x55	66	77905
	7.087											61070	206816		40165				76337
	7.874											77444	237164		53215				96805
220	7.874	0.0035	8.661		13.583	3.701	3.307	10.433	1.417	2.598	184	83344	255148	35235	44080	12	M16x65	97	104180
	8.465											99202	281000		51620				124002
	8.661											109896	303480		43935				137371
240	8.465	0.0035	9.449		14.567	3.701	3.307	11.417	1.417	2.598	184	109896	303480	34800	43935	14	M16x70	106	159497
	8.661											127598	331580		52780				159497
	9.252											126123	333828		39150				157653
260	9.055	0.0032	10.236	+0 -0.0032	15.551	4.016	3.622	12.205	1.575	2.835	184	126123	333828	31610	39150	16	M16x75	132	191766
	9.843											153412	373168		46980				191766
	9.843											158575	386656		40455				198219
300	10.630	0.0040	11.811		18.110	4.488	4.094	14.094	1.811	3.307	184	188078	424872	33205	49590	18	M16x75	165	235097
	10.630											191766	436112		42485				239707
	11.417											225693	477700		51475				282117
320	11.417	0.0040	12.598		19.488	4.567	4.173	14.882	1.890	3.307	184	221268	465336	34655	41760	20	M16x75	185	276585
	12.008											248558	496808		47270				310697
	11.811											274372	558628		42340				342965
340	12.008	0.0040	13.386		21.063	4.567	4.173	15.827	1.890	3.307	184	248558	496808	34220	47270	21	M16x75	221	310697
	11.811											274372	558628		42340				342965
	12.205											295024	582232		46400				368780
350	11.811	0.0035	14.173	+0 -0.0035	21.850	5.315	4.803	16.260	2.126	3.937	361	265522	539520	32335	39150	16	M20x90	276	331902
	12.598											306087	582232		45530				382609
360	12.598	0.0044	14.961		23.031	5.866	5.354	17.402	2.362	4.409	361	320839	611456	30885	38860	18	M20x100	331	401048
	12.992											344441	637308		41325				430551
	12.992											372468	687888		41325				465585
380	12.992	0.0044	15.354		23.425	5.866	5.354	17.795	2.362	4.409	361	425572	740716	33350	48865	20	M20x100	344	531965
	13.780											425572	740716		48865				531965

To continue see next page



Characteristics

Reduced dimensions with lower transmission values – especially for applications with restricted space.

Simplified manufacture – only plain shaft and bore diameters with easily achieved surface finish and tolerances are required.

Easy adjustability – No stops, steps, keyways, splines etc. are required, therefore hubs can be located and locked at any point or angle on the shaft.

Easy mounting – RINGFEDER® Shrink Discs® use standard screws and tightened using standard tools. No additional machining or fitting work is required.

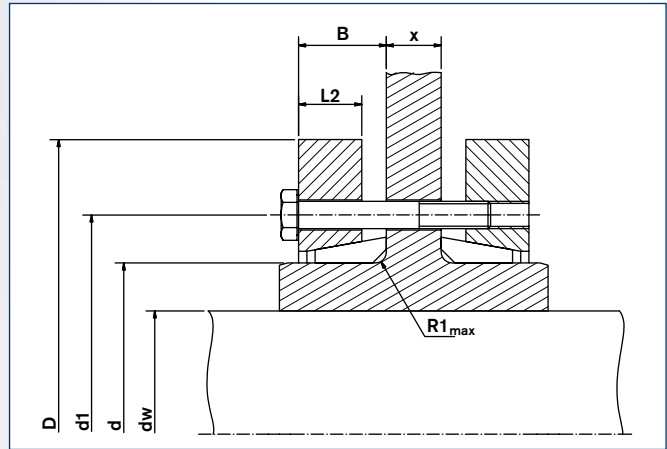
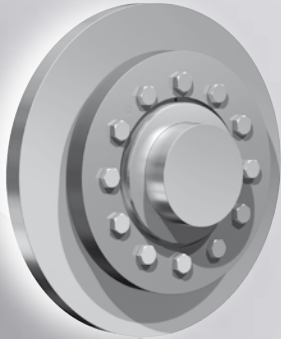
Easy removal – after loosening the locking screws, the RINGFEDER® Shrink Disc® will self release and the hub will move freely on the shaft.

Low susceptibility to contamination – when the locking screws are tightened the contact (functional) surfaces are pressed firmly together and prevent contamination by dirt and moisture.

Highest reliability – due to the materials chosen and manufacturing processes used, RINGFEDER® Shrink Discs® can be tightened and released as often as required. If locking screws need replacing, they are standard items and thus easily available.

Size	Shrink Disc® dimensions										Transmissible torques or axial forces				Locking screws DIN EN ISO 4014-10.9		Weight		
	d _w	C _w	d	Ch	D	L ₁	L	d ₁	L ₂	l	T _A	T	F _{ax}	P	σ _v	Quantity	Thread	WT	T _{max}
	Inch	Inch	Inch	Inch	Inch	Inch	Inch	Inch	Inch	Inch	lb-ft	lb-ft	lbs	psi	psi	n		lbs	lb-ft
400	13.386	0.0044	15.748	+0	24.213	5.866	5.354	18.189	2.362	4.409	361	405658	727228	34220	42195	21	M20x100	375	507073
	-0.0035			461713								782304	50025		577141				
14.173	16.535		24.803	6.181	5.669	19.094	2.520	4.724	361	426310	741840	38425	603877						
13.780										483102	796916	43065	624160						
14.567	17.323		25.984	6.181	5.669	19.882	2.520	4.724	361	499328	822768	39730	702526						
14.567										562021	878968	44805	774438						
15.354	18.110		26.969	6.732	6.220	20.748	2.795	5.197	361	619550	971136	41035	862945						
15.354										689619	1029584	47560	821457						
16.142	18.898		28.150	6.732	6.220	21.535	2.795	5.197	361	657166	977880	39875	890604						
16.142										712483	1022390,4	43645	909043						
16.732	19.685	29.528	6.732	6.220	22.323	2.795	5.197	361	727234	1044196	39875	982799							
16.732									786239	1089156	33060	43065							
500	17.323																		

More sizes on request



Shrink Disc® RINGFEDER® RfN 4051 split · Location

Split Shrink Discs®

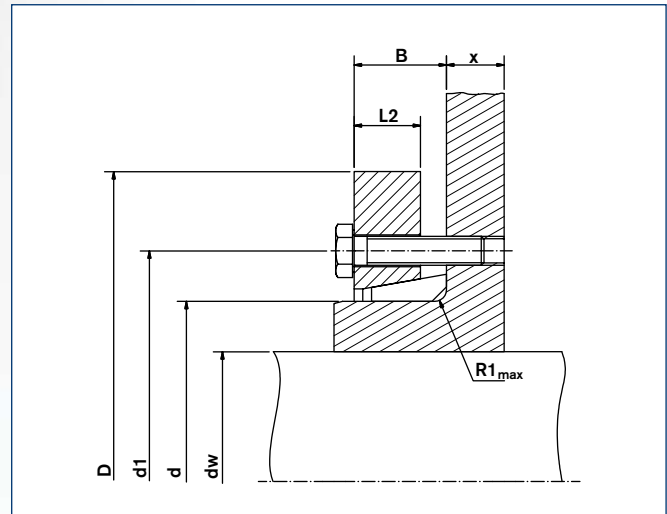
In the application shown above special screws according to the dimension X are required, which have to be ordered accordingly. If the dimension X is above $2 \times L$ (L taken from the Standard and the Light Duty Series) or above $1 \times L$ (taken from the Heavy Duty Series) the transmissible torque may be reduced by up to 50%.

Half Shrink Discs®

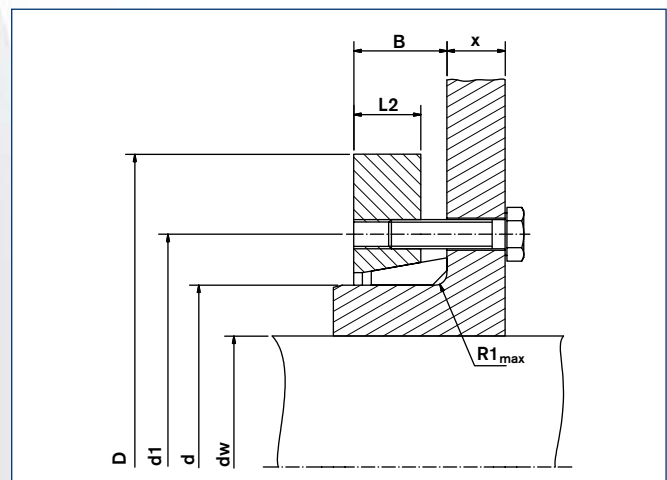
With half shrink discs® HC/HT only 50% of stated T is transmitted.

type HT (Threaded holes in thrust ring)

type HC (Clearance holes in thrust ring)



Shrink Disc® RINGFEDER® RfN 4051 HC · Dimensions



Shrink Disc® RINGFEDER® RfN 4051 HT · Dimensions

Size	Shrink Disc® dimensions									Transmissible torques or axial forces		Locking screws DIN EN ISO 4014-10.9		Weight
	d _w	C _w	d	Ch	D	d ₁	B±0.039	R1 max	T _A	T	F _{ax}	Quantity	Thread	WT
	Inch	Inch	Inch	Inch	Inch	Inch	Inch	Inch	lb-ft	lb-ft	lbs	n		lbs
125	3.740	0.0027	4.921		7.283	6.220	1.201	0.189	44	7781	49456	8	M10	13
	4.134									10178	58448			
140	4.331		5.512		8.661	6.890	1.215	0.189	44	10916	59572	9	M10	18
155	4.921	0.0031	6.102	+0 -0.0025	9.646	7.559	1.201	0.189	44	15120	73060	11	M10	22
	5.118									17701	82052			
165	5.512		6.496		10.236	8.268	1.417	0.189	74	21389	92168	10	M12	31
175	5.315	0.0035	6.890		10.827	8.661	1.417	0.189	74	23602	106780	11	M12	35
	5.709									28396	119144			
185	5.709		7.283		11.614	8.858	1.417	0.189	74	28765	120268	12	M12	44
195	6.102	0.0028	7.677		12.402	9.331	1.614	0.189	74	33928	132632	15	M12	60
	6.102									34370	134880			
200	6.496		7.874		12.992	9.528	1.614	0.189	74	39828	146120	16	M12	66
220	6.496	0.0035	8.661		13.583	10.433	1.850	0.189	184	46466	170848	10	M16	77
	7.087									61070	206816			
240	7.874		9.449		14.567	11.417	1.850	0.189	184	77444	237164	12	M16	97
260	8.465	0.0032	10.236		15.551	12.205	2.067	0.252	184	83344	255148	14	M16	106
	8.661									109896	303480			
280	9.252		11.024		16.732	13.110	2.343	0.252	184	99202	281000	16	M16	132
300	9.055	0.0040	11.811		18.110	14.094	2.343	0.252	184	109896	303480	18	M16	165
	9.843									126123	333828			
320	9.843		12.598		19.488	14.882	2.382	0.252	184	153412	373168	20	M16	185
340	10.630	0.0035	13.386		21.063	15.827	2.382	0.252	184	158575	386656	21	M16	221
	10.630									188078	424872			
350	11.417		13.780		21.457	16.260	2.697	0.252	361	191766	436112	16	M20	265
360	11.417	0.0044	14.173		21.850	16.654	2.697	0.252	361	225693	477700	16	M20	276
	12.008									221268	465336			
380	11.811		14.961		23.031	17.402	2.972	0.252	361	248558	496808	18	M20	331
390	12.205	0.0038	15.354		23.425	17.795	3.071	0.331	361	274372	558628	20	M20	344
	11.811									295024	582232			
400	12.598		15.748		24.213	18.189	3.071	0.331	361	265522	539520	21	M20	375
420	12.598	0.0038	16.535		24.803	19.094	3.228	0.331	361	306087	582232	22	M20	408
	12.992									320839	611456			
420	12.992		16.535		24.803	19.094	3.228	0.331	361	344441	637308	22	M20	408
420	13.780	0.0044	16.535		24.803	19.094	3.228	0.331	361	372468	687888	22	M20	408
	13.386									425572	740716			
420	14.173		16.535		24.803	19.094	3.228	0.331	361	405658	727228	22	M20	408
420	13.780	0.0038	16.535		24.803	19.094	3.228	0.331	361	461713	782304	22	M20	408
	14.567									426310	741840			
420	14.567		16.535		24.803	19.094	3.228	0.331	361	483102	796916	22	M20	408

To continue see next page

Characteristics

Reduced dimensions with lower transmission values – especially for applications with restricted space.

Simplified manufacture – only plain shaft and bore diameters with easily achieved surface finish and tolerances are required.

Easy adjustability – No stops, steps, keyways, splines etc. are required, therefore hubs can be located and locked at any point or angle on the shaft.

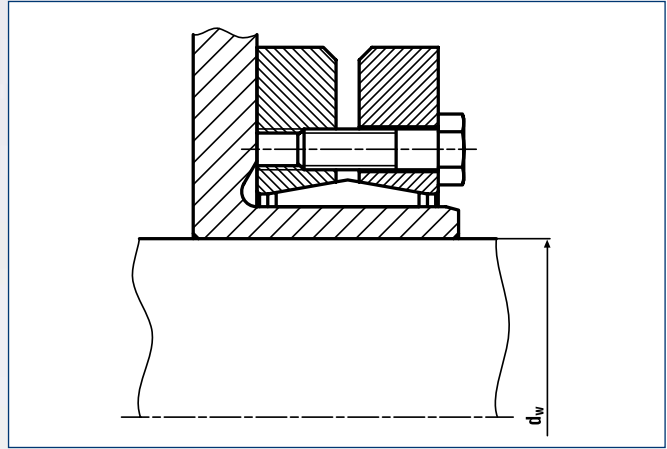
Easy mounting – RINGFEDER® Shrink Discs® use standard screws and tightened using standard tools. No additional machining or fitting work is required.

Easy removal – after loosening the locking screws, the RINGFEDER® Shrink Disc® will self release and the hub will move freely on the shaft.

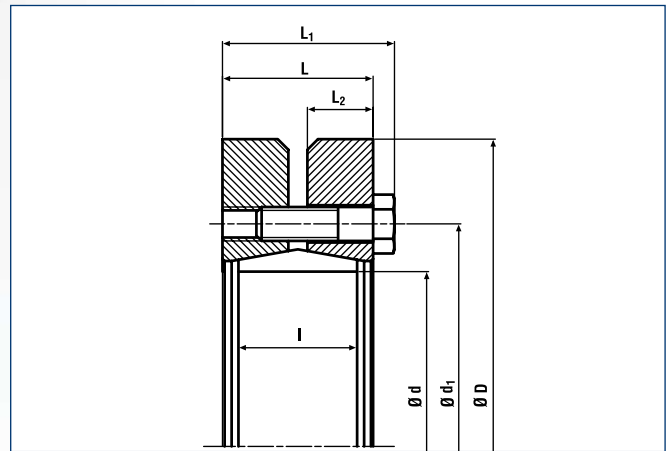
Low susceptibility to contamination – when the locking screws are tightened the contact (functional) surfaces are pressed firmly together and prevent contamination by dirt and moisture.

Highest reliability – due to the materials chosen and manufacturing processes used, RINGFEDER® Shrink Discs® can be tightened and released as often as required. If locking screws need replacing, they are standard items and thus easily available.

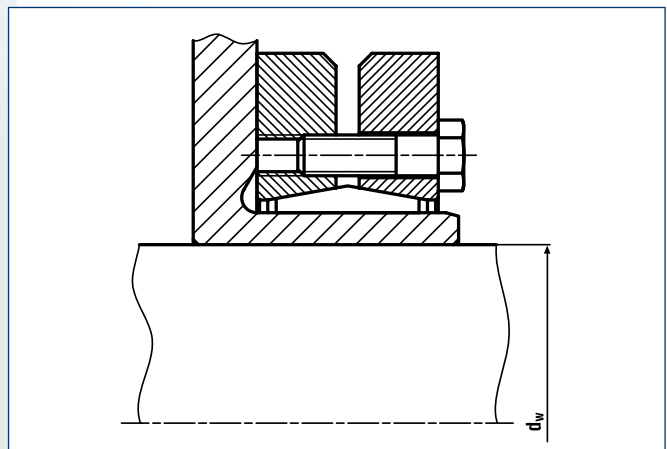
Size	Shrink Disc® dimensions									Transmissible torques or axial forces		Locking screws DIN EN ISO 4014-10.9		Weight
	d _w	C _w	d	Ch	D	d ₁	B±0.039	R1 max	T _A	T	F _{ax}	Quantity	Thread	WT
	Inch	Inch	Inch	Inch	Inch	Inch	Inch	Inch	lb-ft	lb-ft	lbs	n		lbs
440	14.567	0.0044	17.323	+0 -0.0038	25.984	19.882	3.228	0.331	361	499328	822768	24	M20	452
	562021									878968				
460	15.354		18.110		26.969	20.748	3.602	0.390	361	619550	971136	28	M20	518
	16.142	689619	1029584											
480	16.142	0.0048	18.898		28.150	21.535	3.602	0.390	361	657166	977880	28	M20	562
	16.732									712483	1022390			
500	16.732		19.685	29.528	22.323	3.602	0.390	361	727234	1044196	30	M20	628	
	17.323	786239	1089156											



Shrink Disc® RINGFEDER® RfN 4061 · Location



Shrink Disc® RINGFEDER® RfN 4061 · Dimensions



Axial bearing disc

Size	Shrink Disc® dimensions										T _A	Transmissible torques or axial forces				Locking screws DIN EN ISO 4014-10.9		Weight	
	d _w	C _w	d	Ch	D	L ₁	L	d ₁	L ₂	l		T	F _{ax}	P	σ _v	Quantity	Thread	lbs	T _{max}
	Inch	Inch	Inch	Inch	Inch	Inch	Inch	Inch	Inch	lb-ft		lb-ft	lbs	psi	psi	n		lbs	lb-ft
14	0.394	0.0007	0.551	+0 -0.0013	1.457	0.591	0.472	0.945	0.197	0.354	1.5	13	1191	56105	99470	3	M5x12	0.2	17
	26											1798	119805		32				
	33											2383	100940		41				
16	0.472	0.0007	0.551	+0 -0.0013	1.614	0.728	0.591	1.063	0.246	0.472	3	59	3192	61250	154840	3	M5x16	0.2	74
	63											3619	113680		78				
18	0.551	0.0007	0.709	+0 -0.0013	1.732	0.728	0.591	1.142	0.246	0.472	3	96	4518	72765	185465	4	M5x16	0.2	120
	81											4271	114415		102				
20	0.591	0.0007	0.787	+0 -0.0013	1.811	0.807	0.669	1.260	0.276	0.472	3	112	5170	81585	152635	5	M5x16	0.3	140
	162											7194	120540		199				
24	0.669	0.0007	0.945	+0 -0.0013	1.969	0.906	0.748	1.417	0.315	0.591	3.7	236	8318	81830	165130	6	M5x18	0.4	295
	280											8542	101185		347				
30	0.748	0.0007	1.181	+0 -0.0013	2.047	0.984	0.846	1.654	0.354	0.669	3.7	347	9666	65905	124950	7	M5x20	0.7	435
	1024											1024	94325		354				
36	1.024	0.0013	1.417	+0 -0.0015	2.835	1.083	0.925	2.047	0.394	0.709	9	278	10790	75215	94325	5	M6x20	0.9	354
	1.181											1.142	109270		524				
38	1.181	0.0013	1.496	+0 -0.0015	2.835	1.181	1.024	2.165	0.433	0.827	9	479	13488	72030	92365	6	M6x25	1.1	605
	1.220											1.181	115885		686				
40	1.181	0.0013	1.575	+0 -0.0015	2.953	1.122	0.965	2.244	0.413	0.748	9	465	13263	76930	98000	6	M6x25	1.2	583
	1.260											1.260	113925		671				
44	1.260	0.0013	1.732	+0 -0.0015	3.150	1.181	1.024	2.402	0.433	0.787	9	538	14162	76195	104860	7	M6x25	1.3	679
	1.417											1.417	111965		937				
48	1.417	0.0013	1.890	+0 -0.0015	3.150	1.181	1.024	2.677	0.433	0.866	9	538	13713	61005	86730	7	M6x25	1.2	671
	1.575											1.496	89425		1018				
50	1.496	0.0013	1.969	+0 -0.0015	3.543	1.260	1.102	2.756	0.472	0.866	9	774	20007	78400	103635	9	M6x25	1.8	966
	1.654											1.654	115395		1416				
55	1.654	0.0013	2.165	+0 -0.0018	3.937	1.358	1.201	2.953	0.512	0.906	9	856	17759	61740	84280	8	M6x25	2.4	1069
	1.890											1.890	101920		1733				
62	1.890	0.0013	2.441	+0 -0.0018	4.331	1.378	1.220	3.386	0.512	0.906	9	1637	28100	80850	99470	12	M6x30	2.9	2043
	2.047											2.132	117845		2663				

To continue see next page

Characteristics

Reduced dimensions with lower transmission values – especially for applications with restricted space.

Simplified manufacture – only plain shaft and bore diameters with easily achieved surface finish and tolerances are required.

Easy adjustability – No stops, steps, keyways, splines etc. are required, therefore hubs can be located and locked at any point or angle on the shaft.

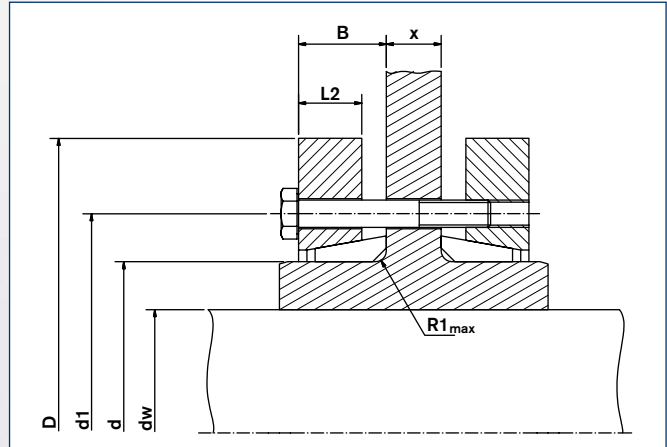
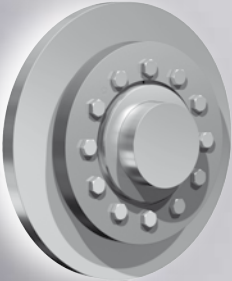
Easy mounting – RINGFEDER® Shrink Discs® use standard screws and tightened using standard tools. No additional machining or fitting work is required.

Easy removal – after loosening the locking screws, the RINGFEDER® Shrink Disc® will self release and the hub will move freely on the shaft.

Low susceptibility to contamination – when the locking screws are tightened the contact (functional) surfaces are pressed firmly together and prevent contamination by dirt and moisture.

Highest reliability – due to the materials chosen and manufacturing processes used, RINGFEDER® Shrink Discs® can be tightened and released as often as required. If locking screws need replacing, they are standard items and thus easily available.

Size	Shrink Disc® dimensions										T _A	Transmissible torques or axial forces				Locking screws DIN EN ISO 4014-10.9		Weight	
	d _w	C _w	d	Ch	D	L ₁	L	d ₁	L ₂	l		T	F _{ax}	P	σ _v	Quantity	Thread	WT	T _{max}
	Inch	Inch	Inch	Inch	Inch	Inch	Inch	Inch	Inch	lb-ft		lb-ft	lbs	psi	psi	n		lbs	lb-ft
68	1.969		2.677		4.528	1.378	1.220	3.386	0.512	0.906	9	1475	21356	61250	77910	10	M6x30	3.1	1844
	2323											26976	101675		2899				
75	2.165		2.953	+0 -0.0018	5.433	1.496	1.280	3.937	0.551	0.984	22	1844	26751	66885	90160	7	M8x30	3.7	2305
	2913											34844	100940		3642				
80	2.362		3.150		5.709	1.496	1.280	3.937	0.551	0.984	22	2360	27875	62720	84525	7	M8x30	4.2	2950
	2756											35518	95060		4241				
85	2.362	0.0019	3.346		6.102	1.890	1.614	4.488	0.669	1.181	22	3172	37991	71050	91630	10	M8x35	7.7	3961
	4861											47658	96040		6070				
90	2.559		3.543		6.102	1.752	1.535	4.488	0.669	1.181	22	3503	38216	66395	84525	10	M8x35	7.3	4380
	2953											47208	90160		6685				
95	2.559		3.740	+0 -0.0021	6.693	2.087	1.850	4.882	0.748	1.339	22	3968	43836	68600	85505	12	M8x40	10	4956
	6048											53952	86975		7560				
100	2.756		3.937		6.693	1.949	1.732	4.882	0.748	1.339	22	5089	43836	63210	79135	12	M8x35	10	6361
	6638											53952	81830		8298				
110	2.953		4.331		7.283	2.244	1.969	5.354	0.866	1.535	44	5310	51479	59780	73990	9	M10x40	13	6638
	3346											58898	84035		9957				
115	3.150		4.528		7.283	2.402	2.165	5.591	0.906	1.654	44	7966	58898	61005	84035	10	M10x40	13	9957
	3150											60696	73990		8482				
125	3.346											6786	60696		73990				8482
	3740											74184	86485		13829				
140	3.740	0.0027	5.512	+0 -0.0025	9.055	2.697	2.382	6.890	1.024	1.811	74	8113	66541	64680	84525	10	M12x45	22	10141
	3740											79130	84770		13829				
155	4.134		6.102		10.433	2.854	2.539	7.559	1.102	1.969	74	11137	82502	64680	81095	10	M12x45	22	13921
	4134											14825	95540		18531				
165	4.528		6.496		11.417	3.189	2.795	8.268	1.220	2.205	184	16226	100486	67865	78400	12	M12x65	33	20283
	4528											20652	114423		25815				
175	4.921		6.890		11.811	3.189	2.795	8.661	1.220	2.205	184	22864	133756	67865	80360	8	M16x55	49	28580
	4921											28765	147244		35956				
185	5.315	0.0031	7.283	+0 -0.0028	12.992	3.780	3.386	9.291	1.496	2.795	184	26552	136004	59780	81830	8	M16x90	49	33190
	5315											38353	174894		47941				
195	5.709		7.677		13.780	3.780	3.386	9.685	1.496	2.795	184	74235	174894	67865	74235	10	M16x65	82	47941
	5709											45729	193553		76440				
200	5.906		7.874		13.780	3.780	3.386	9.685	1.496	2.795	184	47941	209738	67865	80115	12	M16x65	90	59927
	6102											60111	240761		83790				
	6.299											54579	222552		78890			90	68224
												63430	242784		81830			90	79288



Shrink Disc® RINGFEDER® RfN 4061 split · Location

Split Shrink Discs®

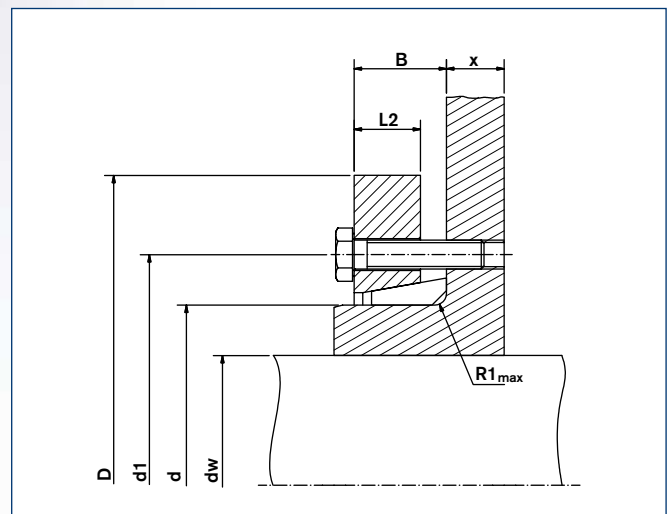
In the application shown above special screws according to the dimension X are required, which have to be ordered accordingly. If the dimension X is above 2 x L (L taken from the Standard and the Light Duty Series) or above 1 x L (taken from the Heavy Duty Series) the transmissible torque may be reduced by up to 50%.

Half Shrink Discs®

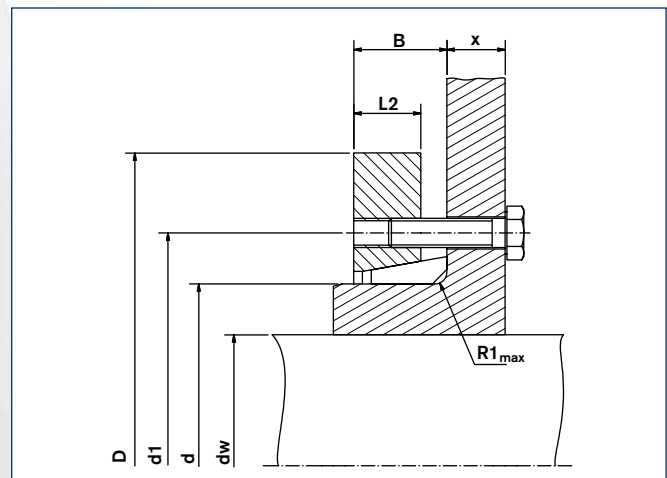
With half shrink discs® HC/HT only 50% of stated T is transmitted.

type HT (Threaded holes in thrust ring)

type HC (Clearance holes in thrust ring)



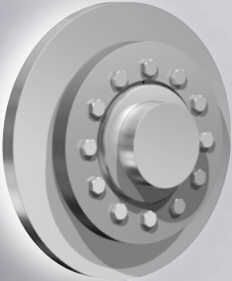
Shrink Disc® RINGFEDER® RfN 4061 HC · Dimensions



Shrink Disc® RINGFEDER® RfN 4061 HT version

Size	Size									T _A	Transmissible torques or axial forces		Locking screws DIN EN ISO 4014-10.9		Weight	
	dw	Cw	d	Ch	D	L ₂	d ₁	B±0.039	R1 max		T	F _{ax}	Quantity	Thread	WT	T _{max}
	Inch	Inch	Inch	Inch	Inch	Inch	Inch	Inch	Inch		lb-ft	lbs	n		lbs	lb-ft
20	0.591	0.0007	0.787	+0 -0.0013	1.811	0.197	1.260	0.453	0.051	3	4271	81	5	M5	0,3	89
	5170										112	123				
24	0.748	0.0007	0.945	+0 -0.0013	1.969	0.246	1.417	0.463	0.051	4	7194	162	6	M5	0,4	178
	8318										236	260				
30	0.945	0.0007	1.181	+0 -0.0013	2.047	0.246	1.654	0.502	0.051	4	8542	280	7	M5	0,7	308
	9666										347	381				
36	1.024	0.0007	1.417	+0 -0.0013	2.835	0.276	2.047	0.541	0.051	9	10790	278	5	M6	0,9	306
	13038										420	462				
38	1.142	0.0013	1.496	+0 -0.0015	2.835	0.315	2.165	0.600	0.051	9	13488	479	6	M6	1,1	527
	14387										553	608				
40	1.181	0.0013	1.575	+0 -0.0015	2.953	0.354	2.244	0.581	0.051	9	13263	465	6	M6	1,2	511
	14162										538	592				
44	1.260	0.0013	1.732	+0 -0.0015	3.150	0.394	2.402	0.600	0.110	9	14162	546	7	M6	1,3	600
	17085										752	828				
48	1.417	0.0013	1.890	+0 -0.0015	3.150	0.433	2.677	0.600	0.110	9	13713	538	7	M6	1,2	592
	16410										819	901				
50	1.496	0.0013	1.969	+0 -0.0015	3.543	0.413	2.756	0.640	0.110	9	20007	774	9	M6	1,8	852
	23154										1136	1249				
55	1.654	0.0013	2.165	+0 -0.0015	3.937	0.433	2.953	0.699	0.110	9	17759	856	8	M6	2,4	941
	21806										1387	1525				
62	1.890	0.0013	2.441	+0 -0.0015	4.331	0.433	3.386	0.699	0.110	9	28100	1637	12	M6	2,9	1801
	30348										2132	2345				
68	1.969	0.0019	2.677	+0 -0.0018	4.528	0.472	3.386	0.699	0.110	9	21356	1475	10	M6	3,1	1623
	26976										2323	2556				
75	2.165	0.0019	2.953	+0 -0.0018	5.433	0.512	3.937	0.778	0.110	22	26751	1844	7	M8	3,7	2028
	34844										2913	3205				
80	2.362	0.0019	3.150	+0 -0.0018	5.709	0.512	3.937	0.778	0.110	22	27875	2360	7	M8	4,2	2596
	35518										3393	3732				

To continue see next page



Characteristics

Standard series – this range is the most popular, being used in most applications. High transmission values are possible, and by varying the screw tightening torque the Shrink Disc® can be adapted to the design specification.

Simplified manufacture – only plain shaft and bore diameters with easily achieved surface finish and tolerances are required.

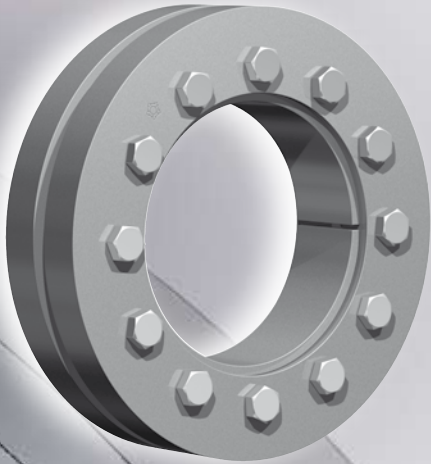
Easy adjustability – No stops, steps, keyways, splines etc. are required, therefore hubs can be located and locked at any point or angle on the shaft.

Easy mounting – RINGFEDER® Shrink Discs® use standard screws and tightened using standard tools. No additional machining or fitting work is required.

Easy removal – after loosening the locking screws, the RINGFEDER® Shrink Disc® will self release and the hub will move freely on the shaft.

Low susceptibility to contamination – when the locking screws are tightened the contact (functional) surfaces are pressed firmly together and prevent contamination by dirt and moisture.

Size	Size									T _A	Transmissible torques or axial forces		Locking screws DIN EN ISO 4014-10.9		Weight	
	d _w	C _w	d	Ch	D	L ₂	d ₁	B±0.039	R1 max		T	F _{ax}	Quantity	Thread	WT	T _{max}
	Inch	Inch	Inch	Inch	Inch	Inch	Inch	Inch	Inch		lb-ft	lbs	n		lbs	lb-ft
85	2.362	0.0019	3.346		6.102	0.512	4.488	0.906	0.130	22	37991	3172	10	M8	7.7	3489
	47658										4861	5347				
	38216										3503	3854				
90	2.756	0.0019	3.543		6.102	0.551	4.488	0.906	0.130	22	47208	5347	10	M8	7.3	5882
	43836										3968	4365				
	53952										6048	6653				
95	2.559	0.0019	3.740	+0 -0.0021	6.693	0.551	4.882	0.925	0.130	22	43836	5089	12	M8	10.4	5598
	53952										6048	6653				
	43836										5089	5598				
100	2.953	0.0019	3.937		6.693	0.669	4.882	1.004	0.130	22	53952	6638	12	M8	10.4	7302
	51479										5310	5841				
	53952										6638	7302				
110	3.150	0.0027	4.331		7.283	0.669	5.354	1.122	0.189	44	51479	5310	9	M10	13.0	5841
	58898										7966	8762				
	60696										6786	7464				
115	3.346	0.0027	4.528		7.283	0.748	5.591	1.260	0.189	44	58898	7966	10	M10	13.2	12170
	77556										8113	8924				
	74184										11063	12170				
125	3.740	0.0027	4.921		8.465	0.748	6.299	1.260	0.189	44	77556	8113	12	M10	18.3	8924
	77781										11063	12170				
	7418										11137	12251				
140	4.134	0.0027	5.512	+0 -0.0025	9.055	0.866	6.890	1.398	0.189	74	74409	14825	10	M12	22.1	16307
	71936										16226	17849				
	74409										14825	16307				
155	4.528	0.0027	6.102		10.433	1.102	3.622	1.467	0.189	74	71936	16226	12	M12	33.1	22717
	72386										20652	25151				
	22864										133756	25151				
165	4.921	0.0031	6.496	+0 -0.0025	11.417	1.220	8.268	1.594	0.189	184	28765	147244	8	M16	48.5	31641
	26552										136004	29207				
	26552										136004	29207				
175	5.315	0.0031	6.890		11.811	1.220	8.661	1.594	0.189	184	33190	151740	8	M16	48.5	36509
	38353										174894	42188				
	38353										174894	42188				
185	5.709	0.0031	7.283		12.992	1.496	9.291	1.890	0.189	184	45729	193553	10	M16	81.6	50302
	47941										209738	52736				
	47941										209738	52736				
195	6.102	0.0031	7.677	+0 -0.0028	13.780	1.496	9.685	1.890	0.189	184	60111	240761	12	M16	90.4	66122
	54579										222552	60037				
	54579										222552	60037				
200	5.906	0.0031	7.874		13.780	1.496	9.685	1.890	0.189	184	63430	242784	12	M16	90.4	69773
	6.299										63430	242784				69773



Characteristics

Standard series – this range is the most popular, being used in most applications. High transmission values are possible, and by varying the screw tightening torque the Shrink Disc® can be adapted to the design specification.

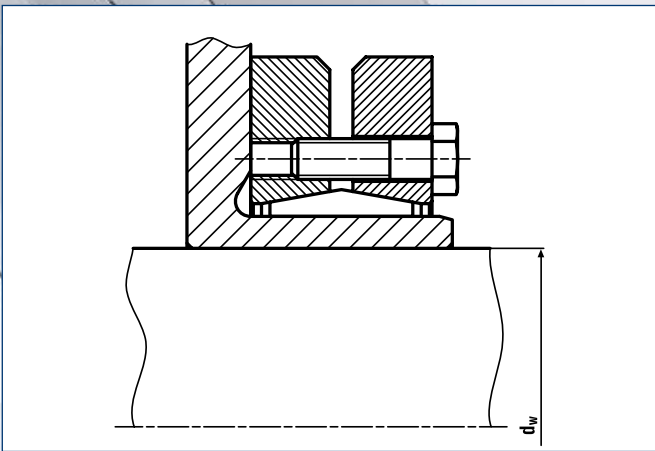
Simplified manufacture – only plain shaft and bore diameters with easily achieved surface finish and tolerances are required.

Easy adjustability – No stops, steps, key-ways, splines etc. are required, therefore hubs can be located and locked at any point or angle on the shaft.

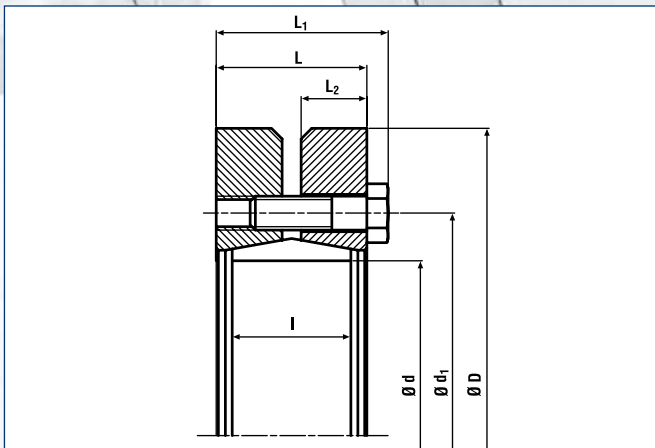
Easy mounting – RINGFEDER® Shrink Discs® use standard screws and tightened using standard tools. No additional machining or fitting work is required.

Easy removal – after loosening the locking screws, the RINGFEDER® Shrink Disc® will self release and the hub will move freely on the shaft.

Low susceptibility to contamination – when the locking screws are tightened the contact (functional) surfaces are pressed firmly together and prevent contamination by dirt and moisture.

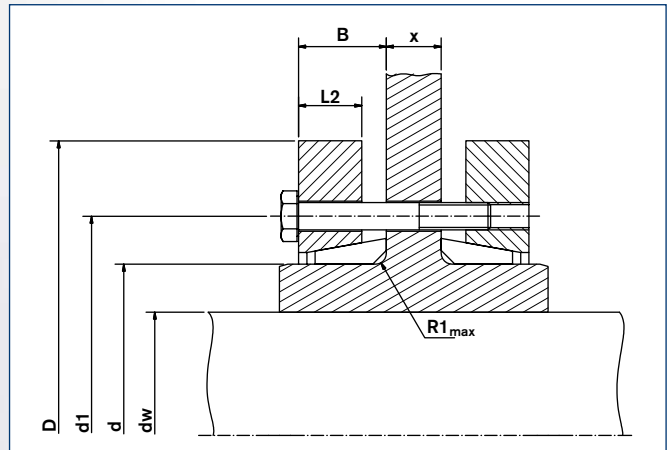
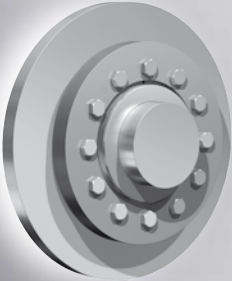


Shrink Disc® RINGFEDER® RfN 4071 · Location



Shrink Disc® RINGFEDER® RfN 4071 · Dimensions

Size	Shrink Disc® dimensions											Transmissible torques or axial forces		P	σ _v	Locking screws DIN EN ISO 4014-10.9		Weight lbs	T _{max} lb-ft
	d _w	C _w	d	Ch	D	L ₁	L	d ₁	L ₂	l	T _A	T	F _{ax}			Quantity	Thread		
	Inch	Inch	Inch	Inch	Inch	Inch	Inch	Inch	Inch	Inch	lb-ft	lb-ft	lbs			psi	n		
220	6.299	0.0031	8.661	+0 -0.0028	14.567	4.488	4.094	10.630	1.850	3.465	184	70068	267512	35960	42775	15	M16x80	119	87585
	6.693											81132	289992						43935
240	6.693	0.0035	9.449	+0 -0.0032	15.945	4.803	4.291	11.614	1.929	3.622	361	88507	329107	39440	44805	12	M20x80	148	110634
	7.480											115059	376540						48430
260	7.480	0.0040	10.236	+0 -0.0035	16.929	5.236	4.724	12.638	2.126	4.055	361	120960	395648	37990	44370	14	M20x90	181	151200
	8.268											151200	451848						47705
280	8.268	0.0044	11.024	+0 -0.0035	18.110	5.787	5.276	13.622	2.362	4.488	361	160051	469832	36395	42775	16	M20x100	225	200063
	9.055											199141	528280						46980
300	9.055	0.0048	11.811	+0 -0.0038	19.094	6.102	5.591	14.331	2.520	4.803	361	202829	546489	35670	42195	18	M20x100	260	253536
	9.646											232331	592573						45240
320	9.449	0.0052	12.598	+0 -0.0042	20.472	6.102	5.591	15.197	2.520	4.803	361	230119	595046	37265	42485	20	M20x100	289	287648
	10.236											275847	651920						46400
340	9.843	0.0056	13.386	+0 -0.0045	22.441	6.654	6.142	16.063	2.795	5.276	361	287648	701151	38280	42775	24	M20x110	410	359561
	10.630											339278	764320						45965
350	10.630	0.0060	13.780	+0 -0.0049	22.835	6.890	6.378	17.008	2.874	5.512	361	326002	736445	35525	41905	24	M20x110	430	407502
	11.220											368780	786800						44515
360	11.024	0.0064	14.173	+0 -0.0053	23.228	6.890	6.378	17.008	2.874	5.512	361	341490	744088	34510	40890	24	M20x110	450	426863
	11.614											385006	794893						43210
380	11.417	0.0068	14.961	+0 -0.0057	25.394	7.205	6.614	18.031	2.992	5.669	620	418197	878968	38135	43500	20	M24x120	527	522746
	12.205											485314	954950						46400
390	11.811	0.0072	15.354	+0 -0.0061	25.984	7.205	6.614	18.425	2.992	5.669	620	460237	935168	39150	44225	21	M24x120	573	575297
	12.598											529568	1008003						47995
400	12.402	0.0076	15.748	+0 -0.0065	26.772	7.205	6.614	18.898	2.992	5.669	620	494165	957648	38135	43790	21	M24x120	617	617707
	12.992											548745	1011600						46980
420	12.992	0.0080	16.535	+0 -0.0069	27.165	7.992	7.402	19.843	3.386	6.457	620	575297	1090280	36395	42775	24	M24x130	697	719121
	13.780											663804	1173456						46690
440	13.386	0.0084	17.323	+0 -0.0073	29.528	8.543	7.953	20.748	3.583	6.969	620	594473	1065552	32335	38715	24	M24x140	900	743092
	14.173											676343	1144232						41325
460	14.173	0.0088	18.110	+0 -0.0077	30.315	8.543	7.953	21.535	3.583	6.969	620	737560	1274616	35960	42485	28	M24x140	926	921950
	14.961											-	1360040						45530
480	14.961	0.0092	18.898	+0 -0.0081	31.496	8.976	8.386	22.441	3.780	7.402	620	862945	1382520	34800	40890	30	M24x140	1114	-
	15.748											966204	1472440						44370
500	15.748	0.0096	19.685	+0 -0.0085	33.465	9.055	8.386	23.228	3.780	7.402	922	967679	1474688	35090	41180	24	M27x150	1268	-
	16.535											-	1557864						45095



Shrink Disc® RINGFEDER® RfN 4071 split · Location

Split Shrink Discs®

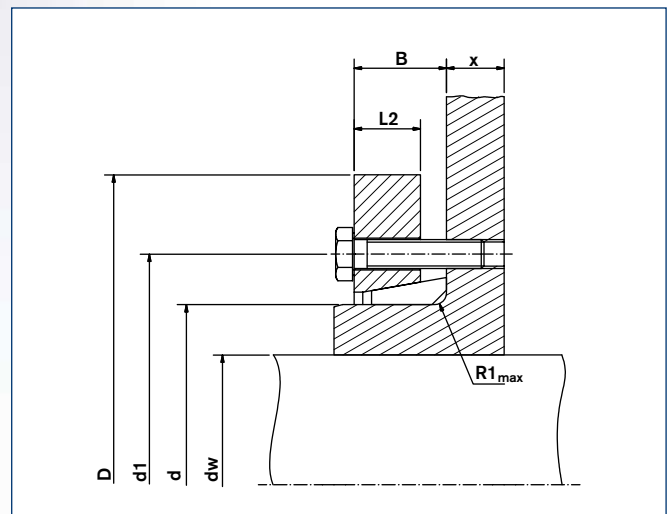
In the application shown above special screws according to the dimension X are required, which have to be ordered accordingly. If the dimension X is above $2 \times L$ (L taken from the Standard and the Light Duty Series) or above $1 \times L$ (taken from the Heavy Duty Series) the transmissible torque may be reduced by up to 50%.

Half Shrink Discs®

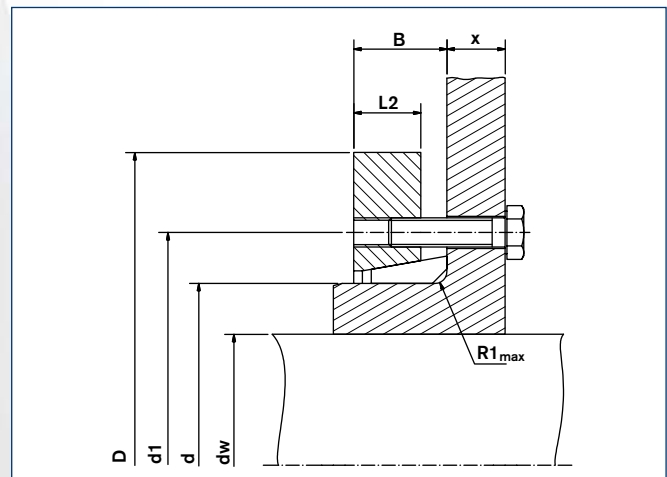
With half shrink discs® HC/HT only 50% of stated T is transmitted.

type HT (Threaded holes in thrust ring)

type HC (Clearance holes in thrust ring)

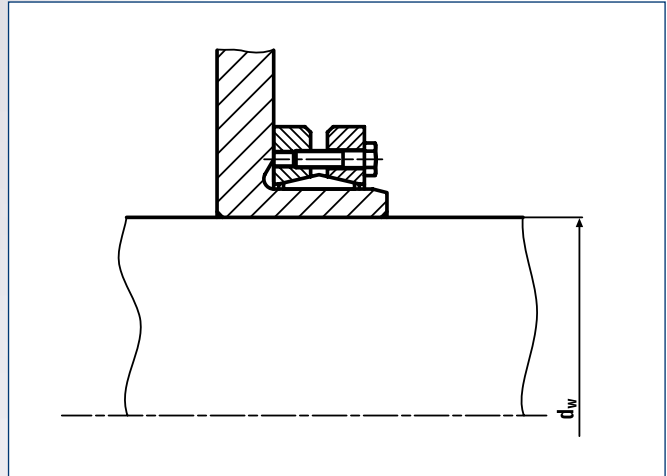
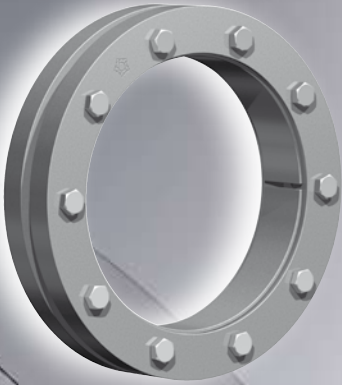


Shrink Disc® RINGFEDER® RfN 4071 HC · Dimensions

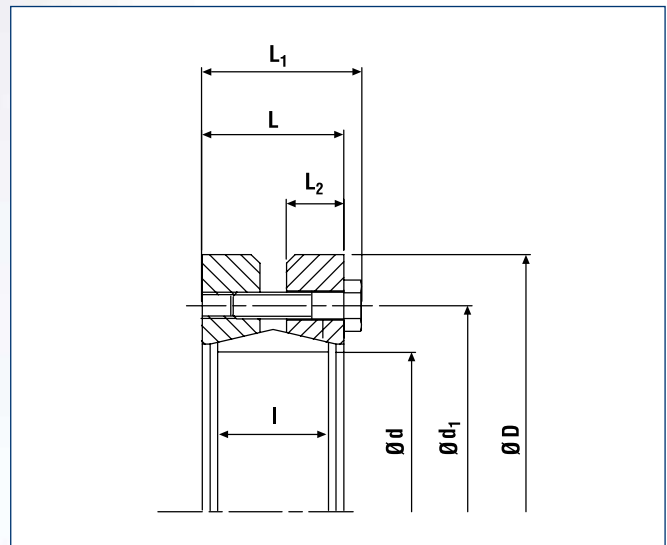


Shrink Disc® RINGFEDER® RfN 4071 HT version

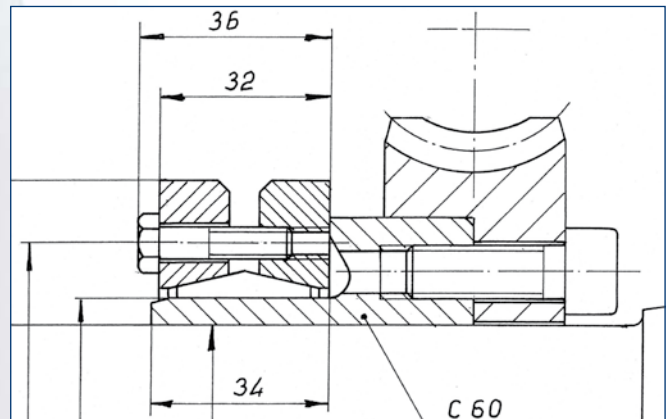
Size	Shrink Disc® dimensions									T _A	Transmissible torques or axial forces		Locking screws DIN EN ISO 4014-10.9		Weight	
	d _w	C _w	d	Ch	D	L ₂	d ₁	B±0.039	R1 max		T	F _{ax}	Quantity	Thread	WT	T _{max}
	Inch	Inch	Inch	Inch	Inch	Inch	Inch	Inch	Inch	lb-ft	lb-ft	lbs	n		lbs	lb-ft
220	6.299	0.0031	8.661	+0 -0.0028	14.567	1.850	10.630	2.343	0.291	184	70068	267512	15	M16	119	77075
	81132										289992	89245				
240	6.693		8.661		14.567	1.850	10.630	2.343	0.291	184	70068	267512	15	M16	119	77075
	6.693	9.449	15.945	1.929	11.614	2.441	0.291	361	81132	289992	12	M20	148	97358		
260	7.480	0.0035	10.236	+0 -0.0032	16.929	2.126	12.638	2.657	0.291	361	115059	376540	14	M20	181	126565
	120960										395648	133056				
280	7.480		10.236		16.929	2.126	12.638	2.657	0.291	361	115059	376540	14	M20	181	126565
	8.268	11.024	18.110	2.362	13.622	3.012	0.331	361	151200	451848	16	M20	225	166320		
300	8.268	0.0040	11.024	+0 -0.0035	18.110	2.362	13.622	3.012	0.331	361	179965	499056	18	M20	260	176056
	199141										528280	219055				
320	9.055		11.024		19.094	2.520	14.331	3.130	0.331	361	202829	546489	18	M20	260	223112
	9.055	12.598	20.472	2.520	15.197	3.130	0.331	361	232331	592573	20	M20	289	255565		
340	9.646	0.0044	13.386	+0 -0.0035	22.441	2.795	16.063	3.406	0.331	361	230119	595046	24	M20	410	253131
	275847										651920	303432				
360	9.449		13.386		22.441	2.795	16.063	3.406	0.331	361	275847	651920	20	M20	289	303432
	10.236	13.780	22.835	2.874	17.008	3.524	0.331	361	287648	701151	24	M20	410	316413		
380	9.843	0.0040	13.780	+0 -0.0035	22.835	2.874	17.008	3.524	0.331	361	339278	764320	24	M20	430	373205
	326002										736445	358602				
390	10.630		13.780		22.835	2.874	17.008	3.524	0.331	361	326002	736445	24	M20	430	358602
	10.630	14.173	23.228	2.874	17.008	3.524	0.331	361	368780	786800	24	M20	450	405658		
400	11.220	0.0044	14.173	+0 -0.0038	23.228	2.874	17.008	3.524	0.331	361	341490	744088	24	M20	450	375639
	385006										794893	423507				
420	11.024		14.173		23.228	2.874	17.008	3.524	0.331	361	341490	744088	24	M20	450	375639
	11.220	14.961	25.394	2.992	18.031	3.642	0.331	620	418197	878968	20	M24	527	460016		
440	12.205	0.0048	15.354	+0 -0.0038	25.394	2.992	18.031	3.642	0.331	620	485314	954950	21	M24	573	533846
	460237										935168	506261				
460	11.811		15.354		25.984	2.992	18.425	3.642	0.331	620	460237	935168	21	M24	573	506261
	12.598	15.748	26.772	2.992	18.898	3.642	0.331	620	529568	1008003	21	M24	617	582525		
480	12.402	0.0044	16.535	+0 -0.0038	26.772	2.992	18.898	3.642	0.331	620	494165	957648	21	M24	617	543582
	548745										1011600	603619				
500	12.992		16.535		27.165	3.386	19.843	4.193	0.390	620	494165	957648	21	M24	617	543582
	12.992	17.323	29.528	3.583	20.748	4.469	0.390	620	575297	1090280	24	M24	697	632826		
420	13.780	0.0044	17.323	+0 -0.0038	27.165	3.386	19.843	4.193	0.390	620	663804	1173456	24	M24	697	730184
	594473										1065552	653921				
440	13.386		17.323		29.528	3.583	20.748	4.469	0.390	620	594473	1065552	24	M24	900	653921
	14.173	18.110	30.315	3.583	21.535	4.469	0.390	620	676343	1144232	28	M24	926	743977		
460	14.173	0.0048	18.110	+0 -0.0038	30.315	3.583	21.535	4.469	0.390	620	737560	1274616	28	M24	926	811316
	1032584										1360040	1135842				
480	14.961		18.110		31.496	3.780	22.441	4.685	0.390	620	737560	1274616	28	M24	926	811316
	14.961	18.898	31.496	3.780	22.441	4.685	0.390	620	862945	1382520	30	M24	1114	949240		
500	15.748	0.0048	19.685	+0 -0.0038	31.496	3.780	22.441	4.685	0.390	620	966204	1472440	24	M27	1268	1062824
	967679										1474688	1064447				
500	15.748		19.685		33.465	3.780	23.228	4.685	0.390	922	967679	1474688	24	M27	1268	1064447
	16.535	19.685	33.465	3.780	23.228	4.685	0.390	922	1073150	1557864	24	M27	1268	1180465		



Shrink Disc® RINGFEDER® RfN 4073 · Location



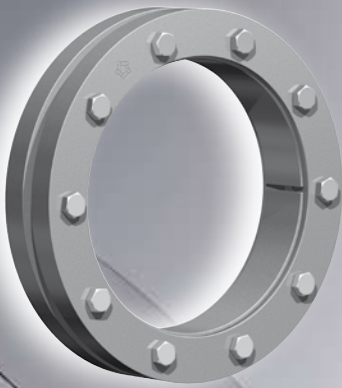
Shrink Disc® RINGFEDER® · Dimensions



Worm gear (metric example)

Size	Shrink Disc® dimensions											Transmissible torques or axial forces		P	σ _v	Locking screws DIN EN ISO 4014-10.9		Weight	
	d _w	C _w	d	Ch	D	L ₁	L	d ₁	L ₂	l	T _A	T	F _{ax}			Quantity	Thread	WT	T _{max}
	Inch	Inch	Inch	Inch	Inch	Inch	Inch	Inch	Inch	Inch	lb-ft	lb-ft	lbs	psi	n		lbs	lb-ft	
14	0.354	0.0007	0.551		1.339	0.551	0.472	0.945	0.197	0.354	1.8	6.6	562	28130	56405	3	M4x10	0.2	13
	15											1034	52345						26
	24											1619	59160						30
16	0.433	0.630			1.654	0.583	0.472	1.181	0.197	0.354	1.8	38	2226	38280	63800	4	M4x10	0.2	47
	0.512											30	1641						44950
20	0.551	0.787			1.850	0.689	0.551	1.339	0.236	0.394	2.2	46	2158	27985	46400	4	M5x12	0.3	58
	0.630											50	2360						46400
22	0.630	0.866	+0 -0.0013		1.969	0.728	0.591	1.457	0.256	0.394	2.2	69	2922	31755	49445	5	M5x12	0.4	87
	0.709											60	2473						42630
24	0.709	0.945			2.047	0.728	0.591	1.535	0.256	0.394	2.2	77	2922	29145	48430	5	M 5x12	0.4	97
	0.787											57	2158						39150
28	0.787	1.102			2.205	0.728	0.591	1.693	0.256	0.394	2.2	97	3035	24940	41905	5	M 5x12	0.4	122
	0.945											81	2473						35380
31	0.945	1.220			2.362	0.728	0.591	1.811	0.256	0.394	2.2	114	3147	22620	38280	5	M 5x12	0.4	142
	1.063											119	3147						33785
36	1.102	1.417			2.598	0.728	0.591	2.047	0.256	0.394	2.2	159	3709	23345	47560	6	M 5x12	0.5	198
	1.260											195	4496						47125
40	1.299	1.575	+0 -0.0015		2.677	0.728	0.591	2.165	0.256	0.394	3.0	236	5058	28130	48720	6	M 5x12	0.5	292
	1.378											295	5845						40310
46	1.496	1.811			3.150	0.886	0.748	2.480	0.315	0.551	3.0	406	7306	23200	47270	8	M 5x16	1.0	504
	1.654											325	5845						36105
51	1.654	2.008			3.386	0.886	0.748	2.697	0.315	0.551	3.0	406	6744	20880	37845	8	M 5x16	1.1	502
	1.772											413	6744						34945
56	1.811	2.205			3.583	0.886	0.748	2.874	0.315	0.551	3.0	524	7868	21460	37410	9	M 5x16	1.1	656
	1.969											524	7643						41325
61	2.047	2.402			3.780	0.886	0.748	3.031	0.315	0.551	3.0	524	7643	21895	41325	10	M 5x16	1.2	656
	2.205											671	8992						44805
66	2.283	2.598	+0 -0.0018		3.937	0.886	0.748	3.228	0.315	0.551	3	627	8205	20300	38570	10	M 5x16	1.3	789
	2.441											782	9554						44660
70	2.441	2.756			4.331	1.083	0.945	3.543	0.394	0.709	4.4	1040	12701	22185	40455	10	M5x20	2.1	1305
	2.559											1202	14050						46690
75	2.598	2.953			4.488	1.083	0.945	3.661	0.394	0.709	4.4	1092	12364	20590	37120	10	M5x20	2.1	1357
	2.756											1305	14162						43645
80	2.795	3.150			4.724	1.083	0.945	3.976	0.394	0.709	4.4	1475	15736	23345	39005	12	M5x20	2.3	1844
	2.953											1719	17422						47705
85	3.228	3.346			5.039	1.260	1.102	4.134	0.453	0.866	9	1748	17422	19865	35670	8	M6x25	3.1	2183
	3.150											2036	19333						45820
94	3.228	3.701	+0 -0.0021		5.512	1.260	1.102	4.685	0.453	0.866	9	1696	15624	17980	36685	8	M6x25	3.7	2117
	3.465											2154	18658						41905
105	3.622	4.134			5.906	1.260	1.102	5.039	0.453	0.866	9	2213	18209	18125	34655	9	M6x25	3.9	2766
	3.858											2714	21019						38570

To continue see next page



Characteristics

Ultra Light Duty Series – this range is a very compact design with low inertia values. It is ideally suited for mechanical seal and small gearbox applications.

Simplified manufacture – only plain shaft and bore diameters with easily achieved surface finish and tolerances are required.

Easy adjustability – No stops, steps, keyways, splines etc. are required therefore hubs can be located and locked at any point or angle on the shaft.

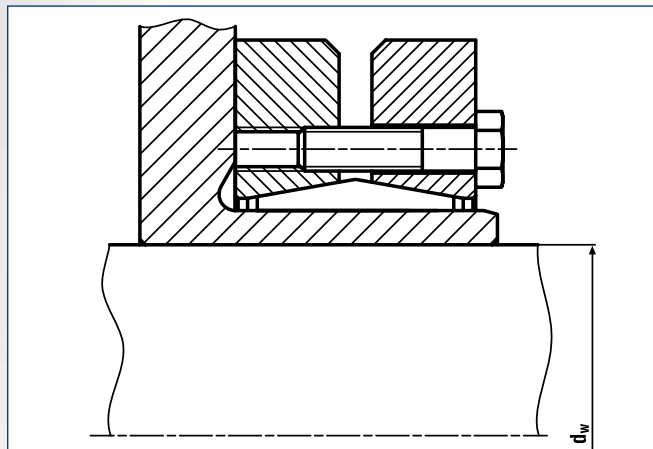
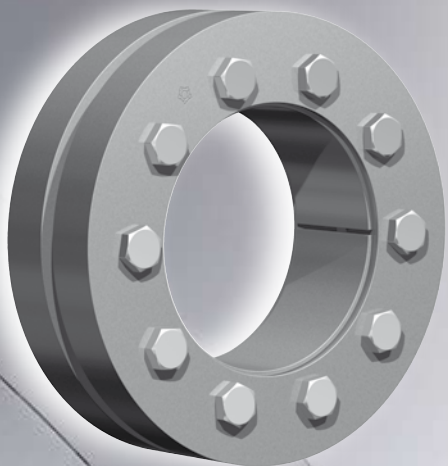
Easy mounting – RINGFEDER® Shrink Discs® use standard screws and tightened using standard tools. No additional machining or fitting work is required.

Easy removal – after loosening the locking screws, the RINGFEDER® Shrink Disc® will self release and the hub will move freely on the shaft.

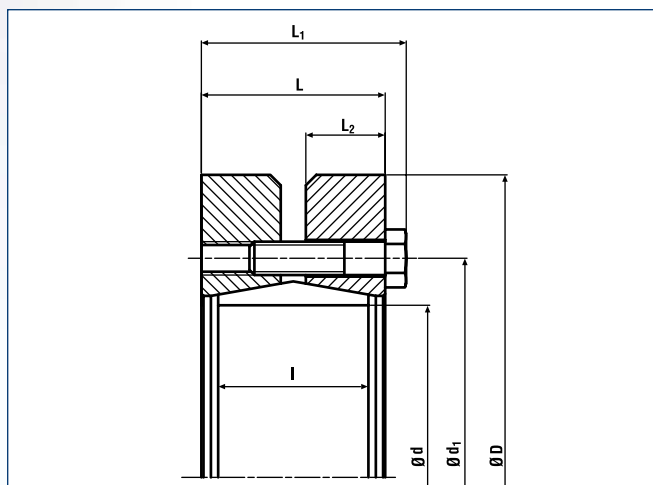
Low susceptibility to contamination – when the locking screws are tightened the contact (functional) surfaces are pressed firmly together and prevent contamination by dirt and moisture.

Size	Shrink Disc® dimensions											Transmissible torques or axial forces		P	σ_v	Locking screws DIN EN ISO 4014-10.9		Weight	
	d_w	Cw	d	Ch	D	L ₁	L	d1	L ₂	l	T _A	T	F _{ax}			Quantity	Thread	WT	T _{max}
	Inch	Inch	Inch	Inch	Inch	Inch	Inch	Inch	Inch		lb-ft	lb-ft	lbs	psi	n		lbs	lb-ft	
112	3.937	0.0019	4.409	+0	6.220	1.260	1.102	5.315	0.453	0.866	9	2500	18996	16965	32625	9	M6x25	4.2	3127
	-0.0021			3024								21581	38280						3776
120	4.173	4.724	5.118	+0	6.457	1.417	1.260	5.551	0.512	0.984	9	2876	20569	15515	30160	10	M6x25	4.9	3592
	-0.0021											3444	23379						33350
130	4.409	5.118	5.512	+0	6.772	1.417	1.260	5.945	0.512	0.984	9	3135	22255	14355	27695	10	M6x25	4.9	3924
	-0.0021											3762	23379						32625
140	4.173	0.0027	5.512	+0	7.165	1.417	1.260	6.339	0.512	0.984	9	4197	30348	15950	30160	12	M 6x25	5.3	5244
	-0.0025			4757								27875	31900						5945
150	4.921	5.906	6.299	+0	7.638	1.417	1.260	6.732	0.512	0.984	9	4632	26077	14935	28130	12	M6x25	6.0	5782
	-0.0025											5200	28100						29870
160	5.315	6.299	8.031	+0	8.031	1.417	1.260	7.126	0.512	0.984	9	4691	24953	13920	25955	12	M6x25	6.2	5856
	-0.0025											5355	27426						27115

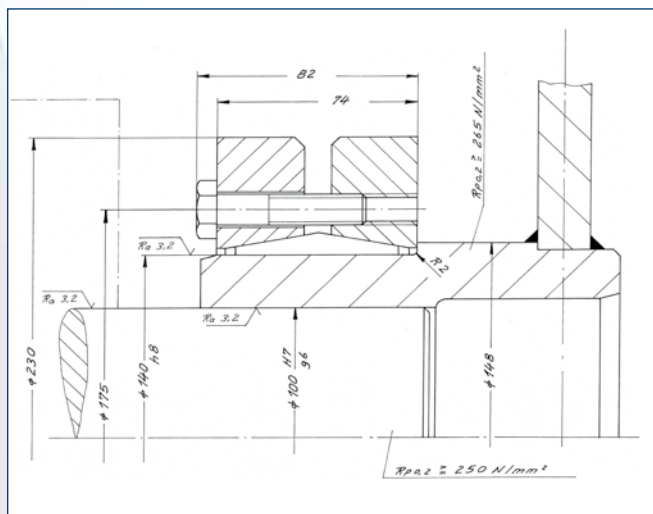
More sizes on request



Shrink Disc® RINGFEDER® RfN 4091 · Location



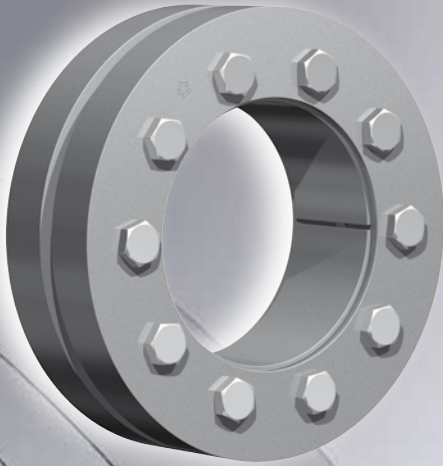
Shrink Disc® RINGFEDER® RfN 4091 · Dimensions



Lever · metric example

Size	Shrink Disc® dimensions											Transmissible torques or axial forces				Locking screws DIN EN ISO 4014-10.9		Weight			
	d _w		C _w	d	Ch	D	L ₁	L	d ₁	L ₂	l	T _A	T	F _{ax}	P	σ _v	Quantity	Thread	WT	T _{max}	
	mm	Inch	Inch	Inch	Inch	Inch	Inch	Inch	Inch	Inch	Inch	lb-ft	lb-ft	lbs	psi		n		lbs	lb-ft	
50	38	1.496	0.0013	1.969	+0 -0.0015	3.740	1.752	1.535	2.874	0.669	1.181	18	1328	23829	41325	59450	7	M8x35	3.1	1660	
	40	1.574											1770	27875						74095	2213
	42	1.654											1660	27426						58580	2075
55	45	1.771	0.0013	2.165	+0 -0.0018	4.134	1.752	1.535	3.071	0.669	1.181	21	2360	33270	42050	83230	7	M8x35	3.7	2950	
	48	1.890											2176	30123						54520	2720
	48	1.890											2655	32596						66410	3319
62	62	2.441	0.0019	2.441	+0 -0.0018	4.724	1.752	1.535	3.622	0.669	1.181	22	2360	32596	41615	52345	8	M8x35	4.6	2950	
	52	2.047											3835	40914						78155	4794
	50	1.969											3393	43386						58435	4241
68	55	2.165	0.0019	2.953	+0 -0.0021	5.709	2.087	1.811	4.134	0.787	1.417	44	5163	55975	43790	78300	7	M10x40	8.4	6454	
	60	2.362											4204	44960						54955	5255
	65	2.559											5163	56874						73950	7744
80	65	2.559	0.0019	3.150	+0 -0.0021	5.709	2.087	1.811	4.134	0.787	1.417	44	4942	48782	41035	49155	7	M10x40	7.9	6177	
	70	2.756											7081	60471						57275	8851
	70	2.756											6491	59572						48430	8113
90	75	2.953	0.0019	3.543	+0 -0.0021	6.693	2.402	2.126	4.961	0.906	1.732	44	8998	72161	38425	53360	10	M10x45	12	11248	
	80	3.150											8113	69238						45820	10141
	75	2.953											10842	79130						52200	13553
110	85	3.346	0.0027	4.331	+0 -0.0025	7.283	2.638	2.362	5.433	1.024	1.969	44	11063	79804	36830	47995	12	M10x45	17	13829	
	85	3.346											14751	94866						48865	18439
	90	3.543											12391	94416						47560	15489
125	95	3.740	0.0027	5.315	+0 -0.0025	8.346	3.268	2.953	6.693	1.260	2.362	74	18365	119144	36250	48720	12	M12x55	23	22953	
	90	3.543											15194	97338						45385	18992
	95	3.740											19545	112400						46110	24432
135	105	4.134	0.0027	5.512	+0 -0.0025	9.055	3.228	2.913	6.890	1.260	2.362	74	29355	198948	35235	60030	12	M12x55	29	36694	
	100	4.134											46909	258520						74385	58636
	90	3.543											19914	122741						44950	24893
140	110	4.331	0.0027	5.512	+0 -0.0025	11.969	4.173	3.780	7.283	1.654	3.150	184	25077	140275	36250	45530	15	M12x60	43	31346	
	105	4.134											30240	166352						46980	37800
	115	4.528											37394	183212						49880	46743
165	125	4.921	0.0031	6.890	+0 -0.0028	11.417	3.858	3.465	8.268	1.496	2.835	184	34665	168600	39150	45820	10	M16x65	57	43332	
	125	4.921											42041	188832						47125	52551
	130	5.315											51629	260768						53070	64537
175	135	5.315	0.0031	7.283	+0 -0.0028	11.811	4.961	4.567	9.252	1.969	3.622	184	62693	289992	43500	55680	15	M16x80	81	78366	
	125	4.921											53104	247280						47415	66380
	135	5.315											63430	269760						50025	88507
185	145	5.709	0.0031	7.480	+0 -0.0028	12.992	4.803	4.409	9.291	1.969	3.622	184	66602	316743	47850	55970	12	M20x90	115	83248	
	135	5.315											91457	378788						63800	114322
	140	5.512											55317	241660						44950	78366
195	150	6.102	0.0031	7.677	+0 -0.0028	13.780	4.803	4.409	9.685	1.969	3.622	184	70806	277628	36250	47850	14	M16x80	117	92195	
	155	6.102																			

To continue see next page



Characteristics

Highest transmission values – for heavy duty applications.

Simplified manufacture – only plain shaft and bore diameters with easily achieved surface finish and tolerances are required.

Easy adjustability – No stops, steps, keyways, splines etc. are required therefore hubs can be located and locked at any point or angle on the shaft.

Easy mounting – RINGFEDER® Shrink Discs® use standard screws and tightened using standard tools. No additional machining or fitting work is required.

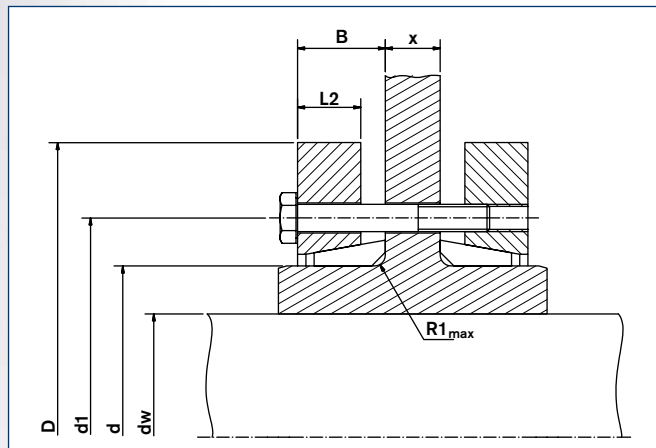
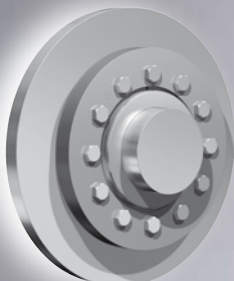
Easy removal – after loosening the locking screws, the RINGFEDER® Shrink Disc® will self release and the hub will move freely on the shaft.

Low susceptibility to contamination – when the locking screws are tightened the contact (functional) surfaces are pressed firmly together and prevent contamination by dirt and moisture.

Highest reliability – due to the materials chosen and manufacturing processes used, RINGFEDER® Shrink Discs® can be tightened and released as often as required. If locking screws need replacing, they are standard items and thus easily available.

Size												Transmissible torques or axial forces		P	σ_v	Locking screws DIN EN ISO 4014-10.9		Weight			
	d_w	Cw	d	Ch	D	L ₁	L	d ₁	L ₂	l	T _A	T	F _{ax}			Quantity	Thread	WT	T _{max}		
	Inch	Inch	Inch	Inch	Inch	Inch	Inch	Inch	Inch	Inch	lb-ft	lbs	psi			n		lbs	lb-ft		
200	5.709		7.874		13.780	4.803	4.409	9.685	1.969	3.622	184	62693	712616	37845	45965	15	M16x80	110	117088		
	6.102			+0									73756						741840	47850	135066
	6.299			-0.0028									93670						357432	44805	142902
220	6.693		8.661		14.567	5.669	5.276	10.630	2.362	4.488	184	108053	386656	36975	47125	20	M16x90	143	182546		
	6.693			+0									114322						409136	44225	196375
240	7.480	0.0031	9.449		15.945	6.181	5.669	11.614	2.559	4.724	361	146037	467584	37845	49445	15	M20x100	192	247083		
	7.480			-0.0028									157100						508048	44660	262756
260	8.268		10.236		16.929	6.811	6.299	12.638	2.835	5.354	361	197666	579984	36975	50170	18	M20x110	220	327292		
	8.268			+0									210205						615952	44950	314385
280	9.055	0.0035	11.024		18.110	7.283	6.772	13.622	3.071	5.827	361	261834	694632	36830	51620	21	M20x120	291	363248		
	9.055											-0.0032							251508	665408	43210
300	9.646		11.811		19.094	7.441	6.929	14.331	3.150	5.984	361	290599	722732	35090	47415	22	M20x120	309	363248		
	9.449			+0									278798						708120	40890	348497
320	10.236		12.598		20.472	7.756	7.244	15.197	3.228	6.299	361	332640	780056	34075	46110	24	M20x130	364	415799		
	9.843			-0.0035									361036						878968	42775	451295
340	10.630		13.386		22.441	8.465	7.874	16.535	3.622	6.929	620	426310	961020	36685	47270	21	M24x130	529	532887		
	10.630			+0									410083						926626	44080	512604
350	11.220		13.780		22.835	8.465	7.874	16.732	3.622	6.929	620	463925	992492	35815	47995	21	M24x130	544	579907		
	11.024			-0.0035									451387						982376	43935	564233
360	11.614	0.0040	14.173		23.228	8.622	8.031	17.008	3.622	7.087	620	508179	1049816	35525	48140	22	M24x140	551	635224		
	11.417											+0							455812	959896	40455
380	12.205		14.961		25.394	8.622	8.031	18.031	3.622	7.087	620	530306	1044196	33785	44515	22	M24x140	705	662882		
	11.811			-0.0035									522192						1059932	41180	652741
390	12.598		15.354		25.984	8.937	8.346	18.425	3.780	7.402	620	600743	1144232	34220	46110	24	M24x140	771	750836		
	12.402			+0									564233						1091404	41325	705292
400	12.992		15.748		26.772	8.937	8.346	18.898	3.780	7.402	620	623238	1152100	33495	45240	24	M24x140	815	779048		
	12.992			-0.0035									736822						1361164	43790	921028
420	13.780		16.535		27.165	9.961	9.370	19.843	4.370	8.425	620	840818	1464572	34945	49590	30	M24x150	904	1051023		
	13.386			+0									780338						1400504	41035	975423
440	14.173	0.0044	17.323		29.528	10.591	9.921	20.748	4.528	8.819	922	888022	1503912	33495	45240	24	M27x170	1190	1110028		
	14.173											-0.0038							973579	1672512	45240
460	14.961		18.110		30.315	10.591	9.921	21.535	4.528	8.819	922	1106340	1787160	37265	50170	28	M27x170	1190	1382925		
	14.961			+0									1132155						1816384	43790	1415193
480	15.748		18.898		31.496	11.457	10.787	22.835	5.039	9.685	922	1268603	1933280	34945	49300	30	M27x180	1433	1585754		
	15.748			-0.0038									1290730						1967000	44805	1613413
500	16.535	0.0048	19.685		33.465	11.457	10.787	23.622	5.039	9.685	922	1430866	2079400	35670	50750	32	M27x180	1653	1788583		

More sizes on request



Shrink Disc® RINGFEDER® RfN 4091 · Location

Split Shrink Discs®

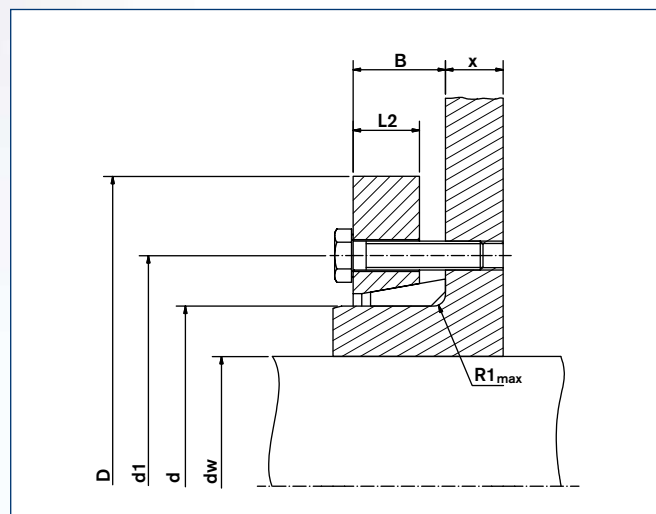
In the application shown above special screws according to the dimension X are required, which have to be ordered accordingly. If the dimension X is above $2 \times L$ (L taken from the Standard and the Light Duty Series) or above $1 \times L$ (taken from the Heavy Duty Series) the transmissible torque may be reduced by up to 50%.

Half Shrink Discs®

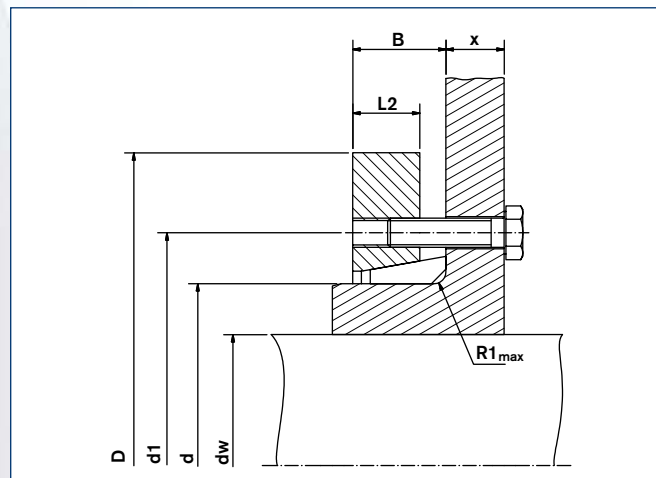
With half shrink discs® HC/HT only 50% of stated T is transmitted.

type HT (Threaded holes in thrust ring)

type HC (Clearance holes in thrust ring)



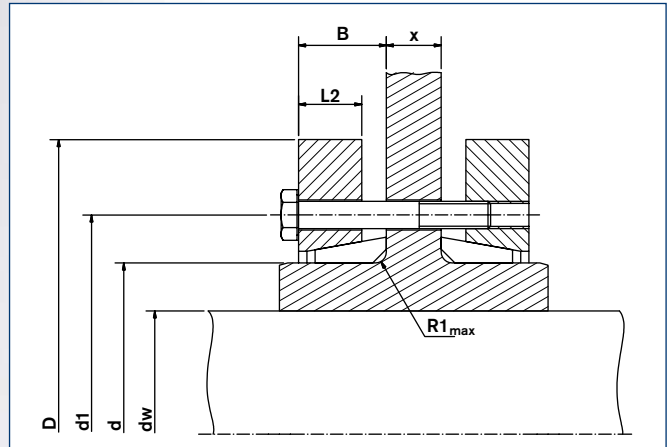
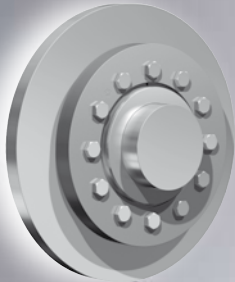
Shrink Disc® RINGFEDER® RfN 4091 HC · Dimensions



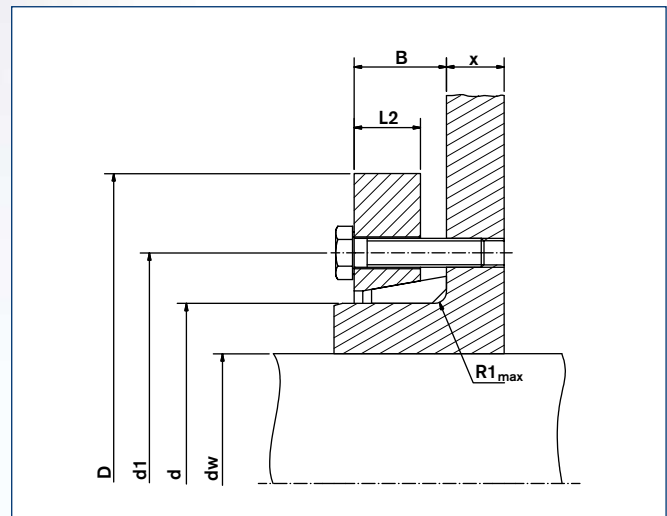
Shrink Disc® RINGFEDER® RfN 4091 HT

Size									T _A	Transmissible torques or axial forces		Locking screws DIN EN ISO 4014-10.9		Weight
d _w	C _w	d	Ch	D	D ₁	B±0.039	R1 max.	T		F _{ax}	Quantity	Thread	WT	
Inch	Inch	Inch	Inch	Inch	Inch	Inch	Inch	lb-ft		lb-ft	lbs	n		lbs
50	1.496	0.0013	1.969	+0 -0.0015	3.740	2.874	0.906	0.071	18	1328	23829	7	M8	3.1
	1.654									1770	27875			
55	1.654	0.0013	2.165		4.134	3.071	0.906	0.071	21	1660	27426	7	M8	3.7
	1.890									2360	33270			
62	1.890	0.0013	2.441		4.528	3.346	0.906	0.071	22	2176	30123	7	M8	4.4
	2.047									2655	32596			
68	1.969	0.0018	2.677	+0 -0.0018	4.724	3.622	0.906	0.071	22	2360	32596	8	M8	4.6
	2.283									3835	40914			
75	2.165	0.0019	2.953		5.709	4.134	1.063	0.110	44	3172	43386	7	M10	8.4
	2.559									516	55975			
80	2.362	0.0019	3.150		5.709	4.134	1.063	0.110	44	4204	44960	7	M10	7.9
	2.756									6196	56874			
90	2.559	0.0019	3.543		6.299	4.567	1.142	0.110	44	4942	48782	8	M10	11
	2.953									7081	60471			
100	2.756	0.0021	3.937	+0 -0.0021	6.693	4.961	1.260	0.130	44	6491	59572	10	M10	12
	3.150									8998	72161			
110	2.953	0.0027	4.331		7.283	5.433	1.378	0.130	44	8113	69238	12	M10	17
	3.346									10842	79130			
125	3.346	0.0027	4.921		8.465	6.299	1.476	0.130	74	11063	79804	10	M12	24
	3.740									14751	94866			
135	3.543	0.0027	5.315		8.346	6.693	1.772	0.189	74	12391	94416	12	M12	23
	4.134									18365	119144			
140	3.740	0.0027	5.512		9.055	6.890	1.654	0.189	74	15194	97338	12	M12	29
	4.134									19545	112400			
140	3.543	0.0027	5.512		11.969	7.283	2.126	0.189	184	29355	198948	12	M16	77
	4.331									46909	258520			
155	4.134	0.0025	6.102	+0 -0.0025	10.354	7.795	1.772	0.189	74	19914	122741	15	M12	43
	4.528									25077	140275			
165	4.528	0.0027	6.496		11.417	8.268	1.929	0.189	184	30240	166352	10	M16	57
	4.921									37394	183212			
175	4.921	0.0031	6.890		11.811	8.661	1.929	0.189	184	34665	168600	10	M16	64
	5.315									42041	188832			
175	4.921	0.0031	6.890		11.811	9.252	2.323	0.189	184	51629	260768	15	M16	81
	5.315									62693	289992			
185	5.315	0.0031	7.283		12.992	9.291	2.402	0.189	184	53104	247280	14	M16	104
	5.709									70806	269760			
190	5.315	0.0028	7.480	+0 -0.0028	13.780	9.843	2.441	0.189	347	66602	316743	12	M20	115
	6.102									91457	378788			
195	5.512	0.0028	7.677		13.780	9.685	2.500	0.189	184	55317	241660	14	M16	117
	6.102									70806	277628			

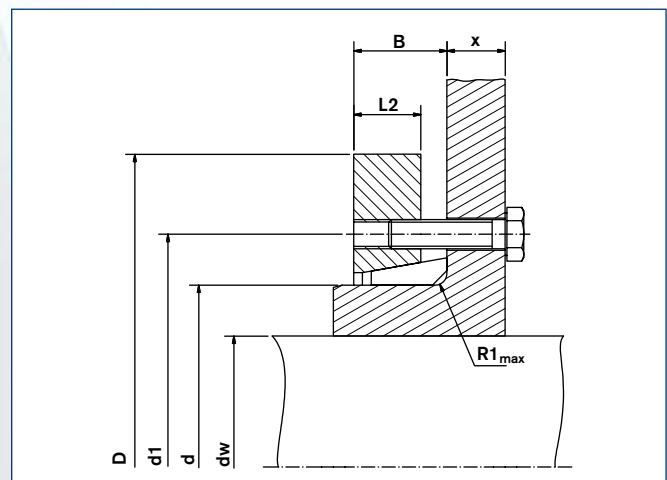
To continue see next page



Shrink Disc® RINGFEDER® RfN 4091 · Location

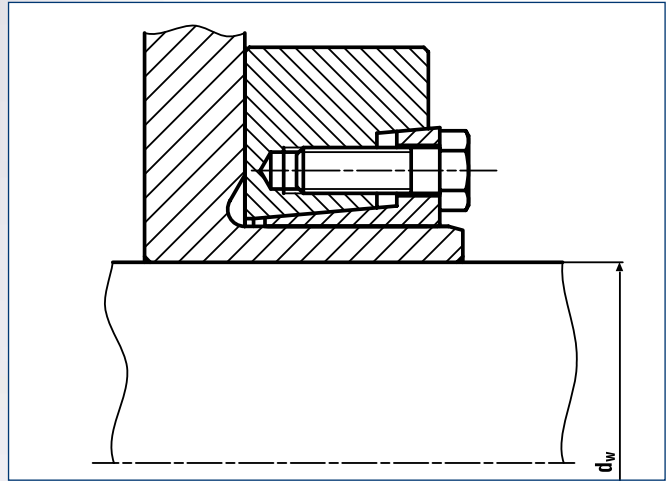
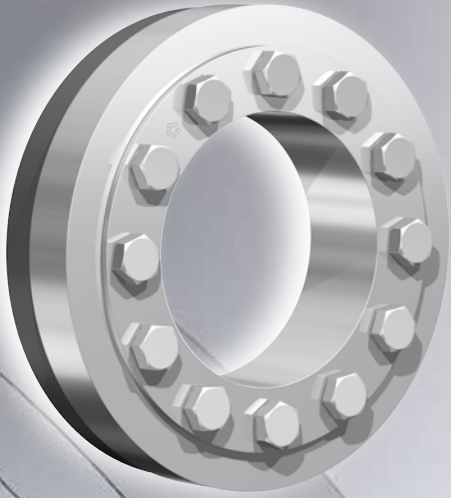


Shrink Disc® RINGFEDER® RfN 4091 HC · Dimensions

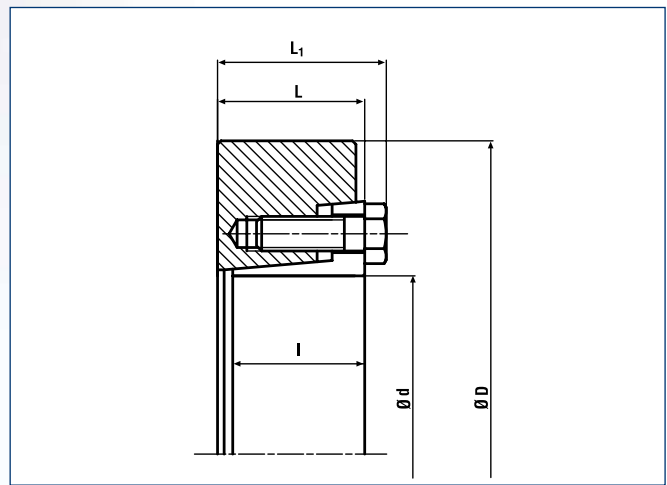


Shrink Disc® RINGFEDER® RfN 4091 HT

Size									T _A	Transmissible torques or axial forces		Locking screws DIN EN ISO 4014-10.9		Weight WT
	d _w	C _w	d	Ch	D	D ₁	B±0.039	R1 max.		T	F _{ax}	Quantity	Thread	
	Inch	Inch	Inch	Inch	Inch	Inch	Inch	Inch		lb-ft	lbs	n		
200	5.709	0.0031	7.874		13.780	9.685	2.500	0.189	184	62693	263016	15	M16	110
	6.102									73756	289992			
	6.299									93670	357432			
220	6.693	0.0031	8.661	+0 -0.0028	14.567	10.630	2.933	0.252	184	108053	386656	20	M16	143
	6.693									114322	409136			
240	7.480	0.0031	9.449		15.945	11.614	3.130	0.252	361	146037	467584	15	M20	192
	7.480									157100	508048			
260	8.268	0.0035	10.236		16.929	12.638	3.445	0.252	361	197666	579984	18	M20	221
	8.268									210205	615952			
280	9.055	0.0035	11.024	+0 -0.0032	18.110	13.622	3.780	0.331	361	261834	694632	21	M20	291
	9.055									251508	665408			
300	9.646	0.0035	11.811		19.094	14.331	3.858	0.331	361	290599	722732	22	M20	309
	9.449									278798	708120			
320	10.236	0.0040	12.598		20.472	15.197	4.016	0.331	361	332640	780056	24	M20	364
	9.843									361036	878968			
340	10.630	0.0040	13.386		22.441	16.535	4.331	0.331	620	426310	961020	21	M24	529
	10.630									410083	926626			
350	11.220	0.0040	13.780		22.835	16.732	4.331	0.331	620	463925	992492	21	M24	545
	11.024									451387	982376			
360	11.614	0.0040	14.173	+0 -0.0035	23.228	17.008	4.508	0.390	620	508179	1049816	22	M24	551
	11.417									455812	959896			
380	12.205	0.0040	14.961		25.394	18.031	4.508	0.390	620	530306	1044196	22	M24	706
	11.811									522192	1059932			
390	12.598	0.0040	15.354		25.984	18.425	4.665	0.390	620	600743	1144232	24	M24	772
	12.402									564233	1091404			
400	12.992	0.0044	15.748		26.772	18.898	4.665	0.390	620	623238	1152100	24	M24	816
	12.992									736822	1361164			
420	13.780	0.0044	16.535		27.165	19.843	5.177	0.390	620	840818	1464572	30	M24	904
	13.386									780338	1400504			
440	14.173	0.0044	17.323		29.528	20.748	5.453	0.390	922	888022	1503912	24	M27	1191
	14.173									973579	1672512			
460	14.961	0.0044	18.110	+0 -0.0038	30.315	21.535	5.551	0.488	922	1106340	1787160	28	M27	1191
	14.961									1132155	1816384			
480	15.748	0.0048	18.898		31.496	22.835	5.984	0.488	922	1268603	1933280	30	M27	1433
	15.748									1290730	1967000			
500	16.535	0.0048	19.685		33.465	23.622	5.984	0.488	922	1430866	2079400	32	M27	1654



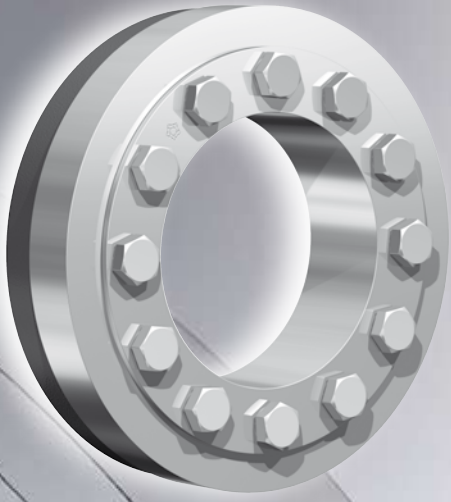
Shrink Disc® RINGFEDER® RfN 4161 · Location



Shrink Disc® RINGFEDER® RfN 4161 · Dimensions

Size	Shrink Disc® dimensions									Transmissible torques or axial forces			Weight	
	d _w	C _w	d	Ch	D	L ₁	L	I	T _A	T	F _{ax}	Thread	WT	T _{max}
	mm	Inch	Inch	Inch	Inch	Inch	Inch	Inch	lb-ft	lb-ft	lbs		lbs	lb-ft
18	0.591	+0 -0.0013	0.71	0.0010	1.73	0.75	0.59	0.53	9	59	2473	M6	0.2	89
	0.630									81	3147			
20	0.669		0.79		1.85	0.75	0.59	0.53	9	111	4047	M6	0.2	122
	0.709									133	4496			
24	0.748		0.94		1.97	0.87	0.71	0.59	9	122	3822	M6	0.4	134
	0.866									218	6070			
26	0.787		1.02		2.03	0.87	0.71	0.59	9	170	5171	M6	0.4	187
	0.945									258	6520			
30	0.945		1.18		2.36	0.94	0.79	0.67	9	273	6969	M6	0.7	300
	1.024									347	8094			
36	1.063	1.42	2.83	1.08	0.87	0.75	22	354	8094	M8	1.1	389		
	1.299							634	11691					
38	1.063	1.50	2.83	1.08	0.87	0.75	22	354	8094	M8	1.1	389		
	1.299							634	11691					
40	1.339	1.57	3.15	1.16	0.94	0.81	22	597	10791	M8	1.3	657		
	1.457							708	11691					
44	1.378	1.73	3.15	1.16	0.94	0.81	22	597	10342	M8	1.3	657		
	1.457							708	11691					
50	1.496	1.97	3.54	1.24	1.02	0.87	22	848	13714	M8	1.8	933		
	1.654							1121	16187					
55	1.654	2.17	3.94	1.36	1.14	0.96	22	959	13939	M8	2.4	1055		
	1.890							1402	17761					
60	1.890	2.36	4.33	1.36	1.14	0.96	22	1254	15962	M8	2.9	1379		
	2.047							1593	18660					
62	1.890	2.44	4.33	1.36	1.14	0.96	22	1254	15962	M8	2.9	1379		
	2.047							1593	18660					
68	1.969	2.68	4.53	1.38	1.16	0.96	22	1402	17086	M8	2.9	1542		
	2.362							2324	23606					
75	2.165	2.95	5.43	1.50	1.22	0.98	44	1992	22032	M10	5.1	2191		
	2.559							3024	28327					
80	2.362	3.15	5.55	1.50	1.22	0.98	44	2434	24730	M10	5.1	2678		
	2.756							3651	31700					
85	2.559	3.35	6.10	1.77	1.50	1.34	44	4057	37995	M10	7.1	4463		
	2.953							5827	47437					
90	2.559	3.54	6.10	1.77	1.50	1.24	44	4057	37995	M10	7.1	4463		
	2.953							5827	47437					
95	2.756	3.74	6.69	1.99	1.71	1.44	44	4573	39793	M10	9.5	5031		
	3.150							6344	48336					
100	2.756	3.94	6.69	1.99	1.71	1.44	44	7745	39793	M10	9.5	5031		
	3.150							10106	48336					

To continue see next page



Characteristics

Standard series – this range is the most popular, being used in most applications. High transmission values are possible, and by varying the screw tightening torque the Shrink Disc® can be adapted to the design specification.

Simplified manufacture – only plain shaft and bore diameters with easily achieved surface finish and tolerances are required.

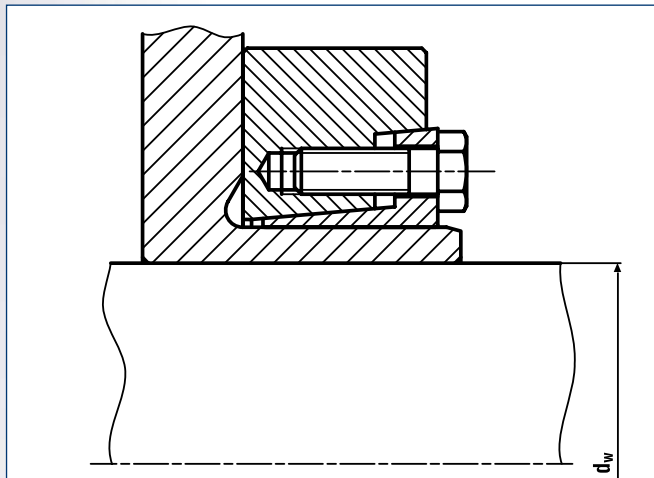
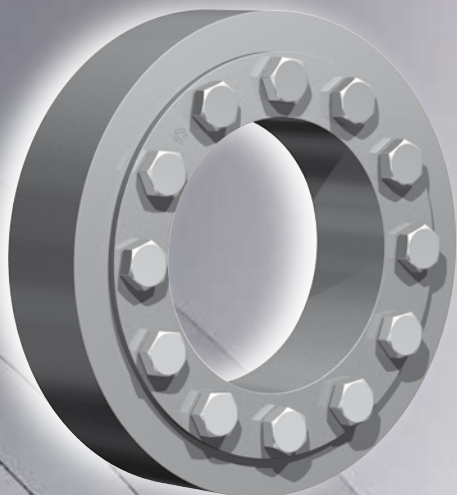
Easy adjustability – No stops, steps, keyways, splines etc. are required, therefore hubs can be located and locked at any point or angle on the shaft.

Easy mounting – RINGFEDER® Shrink Discs® use standard screws and tightened using standard tools. No additional machining or fitting work is required.

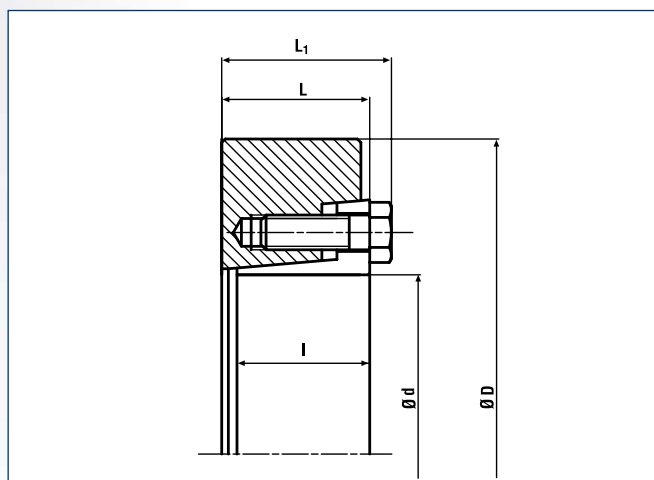
Easy removal – after loosening the locking screws, the RINGFEDER® Shrink Disc® will self release and the hub will move freely on the shaft.

Low susceptibility to contamination – when the locking screws are tightened the contact (functional) surfaces are pressed firmly together and contamination by dirt and moisture.

Size	Shrink Disc® dimensions									Transmissible torques or axial forces			Weight	
	d _w	C _w	d	Ch	D	L ₁	L	I	T _A	T	F _{ax}	Thread	WT	T _{max}
	Inch	Inch	Inch	Inch	Inch	Inch	Inch	Inch	lb-ft	lb-ft	lbs		lbs	lb-ft
105	3.150	+0 -0.0021	4.13	0.0027	7.28	2.24	1.93	1.59	74	7745	59128	M12	13	8520
	3.543									10106	68345			11116
110	3.150	+0 -0.0021	4.33	0.0027	7.28	2.24	1.93	1.59	74	7745	59128	M12	13	8520
	3.543									10106	68345			11116
115	3.346	+0 -0.0025	4.53	0.0027	7.76	2.40	2.09	1.77	74	9220	59128	M12	15	10142
	3.740									11802	68345			12982
120	3.346	+0 -0.0025	4.72	0.0027	7.76	2.40	2.09	1.77	74	9220	66097	M12	15	10142
	3.740									11802	75764			12982
125	3.543	+0 -0.0025	4.92	0.0027	8.46	2.42	2.11	1.77	74	10696	72392	M12	19	11765
	3.937									13868	84532			15254
130	3.740	+0 -0.0025	5.12	0.0027	9.06	2.62	2.26	1.85	118	13572	87005	M14	24	14930
	4.331									19326	107014			21259
135	3.740	+0 -0.0025	5.31	0.0027	9.06	2.62	2.26	1.85	118	13572	87005	M14	24	14930
	4.331									19326	107014			21259
140	3.937	+0 -0.0025	5.51	0.0027	9.06	2.64	2.28	1.85	118	14679	89478	M14	23	16147
	4.528									20506	108588			22557
150	4.331	+0 -0.0025	5.91	0.0027	10.35	2.83	2.48	2.01	118	19916	110387	M14	34	21908
	4.921									26702	130171			29373
155	4.331	+0 -0.0025	6.10	0.0027	10.35	2.83	2.48	2.01	118	19916	110387	M14	34	21908
	4.921									26702	130171			29373
160	4.724	+0 -0.0028	6.30	0.0031	11.42	3.11	2.68	2.20	184	28768	146133	M16	47	31645
	5.315									37619	169964			41381
165	4.724	+0 -0.0028	6.50	0.0031	11.42	3.11	2.68	2.20	184	28768	146133	M16	47	31645
	5.315									37619	169964			41381
170	5.118	+0 -0.0028	6.69	0.0031	11.81	3.15	2.72	2.20	184	34300	160746	M16	50	37730
	5.709									43520	183004			47873
175	5.118	+0 -0.0028	6.89	0.0031	11.81	3.15	2.72	2.20	184	34300	160746	M16	50	37730
	5.709									43520	183004			47873
180	5.512	+0 -0.0028	7.09	0.0031	12.60	3.80	3.37	2.81	184	48684	212005	M16	72	53552
	6.102									61224	240782			67346
185	5.512	+0 -0.0028	7.28	0.0031	12.60	3.80	3.37	2.81	184	48684	212005	M16	72	53552
	6.102									61224	240782			67346
190	5.906	+0 -0.0028	7.48	0.0031	13.39	3.80	3.37	2.81	184	60486	245728	M16	82	66535
	6.496									75239	277878			82763
195	5.906	+0 -0.0028	7.68	0.0031	13.39	3.80	3.37	2.81	184	60486	245728	M16	80	66535
	6.496									75239	277878			82763
200	5.906	+0 -0.0028	7.87	0.0031	13.39	3.80	3.37	2.81	184	60486	245728	M16	80	66535
	6.496									75239	277878			82763



Shrink Disc® RINGFEDER® RfN 4171 · Location



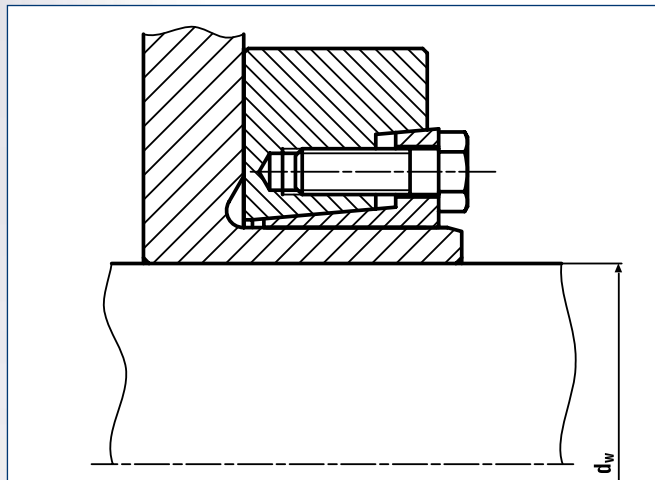
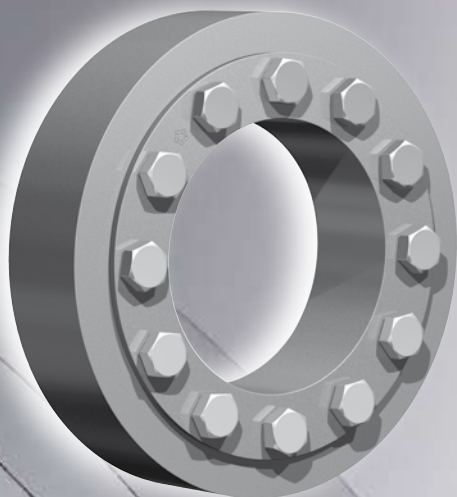
Shrink Disc® RINGFEDER® RfN 4171 · Dimensions



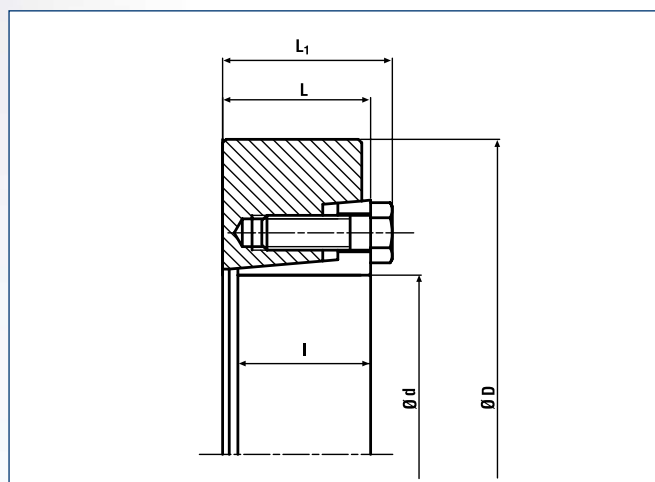
Wind turbine

Shrink Disk dimensions						T _A	Transmissible torques or axial forces		Locking screws 12.9	Weight	T _{max}
d	dw	D	L ₁	L	I		T	F _{ax}			
mm	Inch					lb-ft	lb-ft	lbs	lbs	lb-ft	
18	0.591 0.630	1.73	0.75	0.59	0.53	9	59 81	2398 3091	M6	0.2	65 89
20	0.669 0.709	1.85	0.75	0.59	0.53	9	111 133	3968 4497	M6	0.2	122 146
24	0.748	1.97	0.87	0.71	0.59	9	122	3905	M6	0.4	134
26	0.866 0.787	2.03	0.87	0.71	0.59	9	218 170	6030 5171	M6	0.4	239 187
30	0.945 0.945	2.36	0.94	0.79	0.67	9	258 273	6558 6932	M6	0.7	284 300
36	1.024 1.063	2.83	1.08	0.87	0.75	22	347 354	8129 7994	M8	1.1	381 389
38	1.299 1.063	2.83	1.08	0.87	0.75	22	634 354	11718 7994	M8	1.1	698 389
40	1.299 1.339	3.15	1.16	0.94	0.81	22	634 597	11718 10713	M8	1.3	698 657
44	1.457 1.378	3.15	1.16	0.94	0.81	22	708 597	11667 10406	M8	1.3	779 657
50	1.457 1.496	3.54	1.24	1.02	0.87	22	708 848	11667 13608	M8	1.8	779 933
55	1.654 1.654	3.94	1.36	1.14	0.96	22	1121 959	16273 13918	M8	2.4	1233 1055
60	1.890 1.890	4.33	1.36	1.14	0.96	22	1402 1254	17799 15926	M8	2.9	1542 1379
62	2.047 1.890	4.33	1.36	1.14	0.96	22	1593 1254	18678 15926	M8	2.9	1753 1379
68	2.047 1.969	4.53	1.38	1.16	0.96	22	1593 1402	18678 17087	M8	2.9	1753 1542
75	2.362 2.165	5.43	1.50	1.22	0.98	44	2324 1992	23607 22074	M10	5.1	2556 2191
80	2.559 2.362	5.55	1.50	1.22	0.98	44	3024 2434	28363 24731	M10	5.1	3327 2678
85	2.756 2.559	6.10	1.77	1.50	1.34	44	3651 4057	31798 38048	M10	7.1	4016 4463
90	2.953 2.559	6.10	1.77	1.50	1.24	44	5827 4057	47364 38048	M10	7.1	6410 4463
95	2.953 2.756	6.69	1.99	1.71	1.44	44	5827 4573	47364 39827	M10	9.5	6410 5031
100	3.150 2.756	6.69	1.99	1.71	1.44	44	6344 4573	48339 39827	M10	9.5	6978 5031
105	3.150 3.150	7.28	2.24	1.93	1.59	74	6344 7745	48339 59018	M12	12.8	6978 8520
110	3.543 3.150	7.28	2.24	1.93	1.59	74	10106 7745	68449 59018	M12	12.8	11116 8520
115	3.543 3.346	7.76	2.40	2.09	1.77	74	10106 9220	68449 66127	M12	15.2	11116 10142
120	3.740 3.346	7.76	2.40	2.09	1.77	74	11802 9220	75733 66127	M12	15.2	12982 10142
125	3.740 3.543	8.46	2.42	2.11	1.77	74	11802 10696	75733 72446	M12	19.2	12982 11765
130	3.937 3.740	9.06	2.62	2.26	1.85	118	13868 13572	84536 87092	M14	23.8	15254 14930
135	4.331 3.740	9.06	2.62	2.26	1.85	118	19326 13572	107101 87092	M14	23.8	21259 14930
140	4.331 3.937	9.06	2.64	2.28	1.85	118	19326 14679	107101 89483	M14	22.7	21259 16147
	4.528						20506	108701			22557

To continue see next page

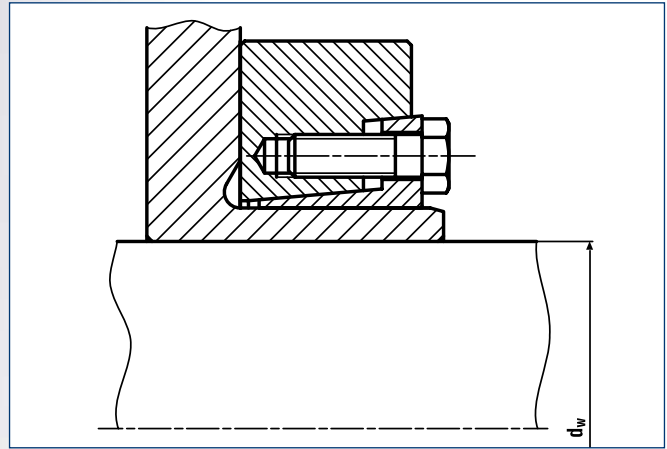
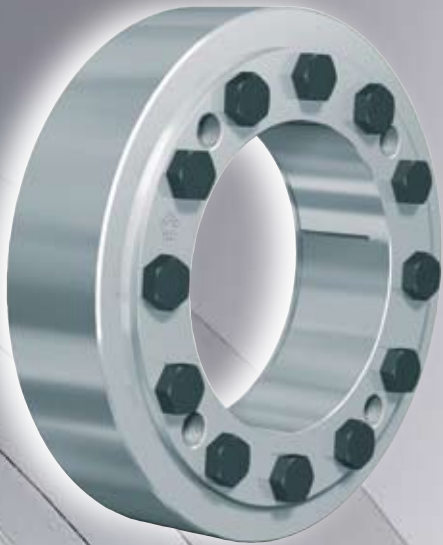


Shrink Disc® RINGFEDER® RfN 4171 · Location

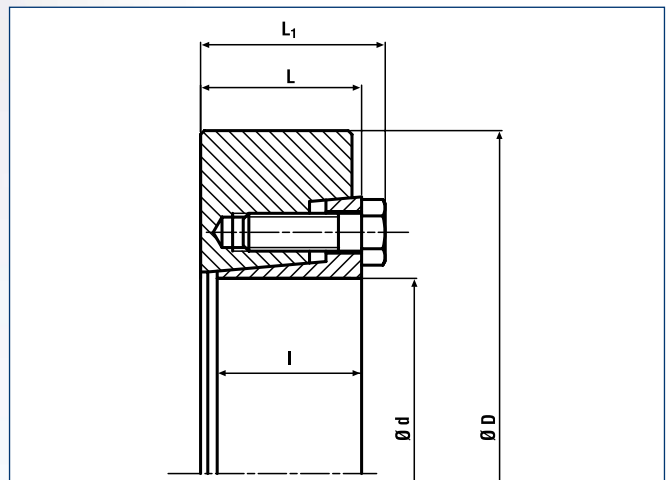


Shrink Disc® RINGFEDER® RfN 4171 · Dimensions

Shrink Disk dimensions						T _A	Transmissible torques or axial forces		Locking screws 12.9	Weight	T _{max}
d	dw	D	L ₁	L	l		T	F _{ax}			
mm	Inch					lb-ft	lb-ft	lbs	lbs	lb-ft	
150	4.331	10.35	2.83	2.48	2.01	118	19916	110372	M14	33.5	21908
155	4.921	10.35	2.83	2.48	2.01	118	26702	130222	M14	33.5	29373
	4.331						19916	110372			21908
160	4.921	11.42	3.11	2.68	2.20	184	26702	130222	M16	47.4	29373
	4.724						28768	146140			31645
165	5.315	11.42	3.11	2.68	2.20	184	37619	169872	M16	47.4	41381
	4.724						28768	146140			31645
170	5.315	11.81	3.15	2.72	2.20	184	37619	169872	M16	49.6	41381
	5.118						34300	160841			37730
175	5.709	11.81	3.15	2.72	2.20	184	43520	182966	M16	49.6	47873
	5.118						34300	160841			37730
180	5.709	12.60	3.80	3.37	2.81	184	43520	182966	M16	72	47873
	5.512						48684	211984			53552
185	6.102	12.60	3.80	3.37	2.81	184	61224	240787	M16	72	67346
	5.512						48684	211984			53552
190	6.102	13.39	3.80	3.37	2.81	184	61224	240787	M16	82	67346
	5.906						60486	245815			66535
195	6.496	13.39	3.80	3.37	2.81	184	75239	277973	M16	80	82763
	5.906						60486	245815			66535
200	6.496	13.39	3.80	3.37	2.81	184	75239	277973	M16	80	82763
	5.906						60486	245815			66535
220	6.496	14.57	4.65	4.13	3.46	354	75239	277973	M20	117	82763
	6.299						77452	295091			85197
240	7.087	15.94	4.80	4.29	3.62	354	101794	344741	M20	146	111973
	6.693						92204	330634			101425
260	7.874	16.93	5.24	4.72	4.06	354	134250	409193	M20	181	147675
	7.480						121710	390496			133881
280	8.661	18.11	5.83	5.31	4.49	354	175557	486453	M20	227	193113
	8.268						162280	471075			178508
300	9.449	19.09	6.18	5.59	4.80	627	221290	562078	M24	265	243420
	8.661						202850	562078			223135
320	9.843	20.47	6.18	5.59	4.80	627	268237	656507	M24	304	296160
	9.449						224979	571446			247477
340	10.630	22.44	6.73	6.14	5.28	627	295054	666166	M24	417	324559
	9.843						287678	701473			316445
350	11.024	22.83	7.01	6.42	5.51	627	376194	819028	M24	445	413813
	10.630						365129	824381			401642
360	11.417	23.23	7.09	6.50	5.51	627	431516	907077	M24	456	474668
	10.630						368817	832708			405699
380	11.811	25.20	7.20	6.50	5.67	922	468398	951785	M27	538	515238
	11.417						435205	914830			478725
390	12.205	25.59	7.24	6.57	5.67	922	505280	993608	M27	549	555808
	11.417						479463	1007864			527409
400	12.598	25.98	7.99	7.32	6.54	922	590108	1124156	M27	628	649119
	12.598						547325	1042654			602058
420	13.780	26.38	7.99	7.32	6.54	922	672723	1171691	M27	628	739995
	12.598						547325	1042654			602058
440	13.780	29.13	8.31	7.64	6.85	922	672723	1171691	M27	867	739995
	13.386						697065	1249796			766771
460	14.567	30.31	8.31	7.64	6.85	922	843117	1389092	M27	924	927428
	14.173						814349	1378964			895784
480	15.354	31.50	9.13	8.39	7.52	922	973678	1521934	M30	1085	1071046
	15.748						958925	1461402			1054818
500	16.929	33.46	9.13	8.39	7.52	922	1136695	1611464	M30	1250	1250365
	16.929						1103502	1564406			1213852
	18.110						1297500	1719469			1427250



Shrink Disc® RINGFEDER® RfN 4181 · Location



Shrink Disc® RINGFEDER® RfN 4181 · Dimensions



Wind turbine

Shrink Disk dimensions						T _A	Transmissible torques or axial forces		Locking screws 12.9	Weight	T _{max}
d	dw	D	L ₁	L	I		T	F _{ax}			
mm	Inch					lb-ft	lb-ft	lbs	lbs	lb-ft	
50	1.496	3.54	1.24	1.02	0.87	26	1180	18933	M8	1.8	1298
	1.654						1475	21412			1623
	1.654						1254	18201	M8		1379
55	1.890	3.94	1.36	1.14	0.96	26	1844	23420		2.4	2028
	1.890						1697	21546	M8		1866
60	2.047	4.33	1.36	1.14	0.96	26	2139	25077		2.9	2353
	1.890						1697	21546	M8		1866
62	2.047	4.33	1.36	1.14	0.96	26	2139	25077		2.9	2353
	1.969						1770	21584	M8		1947
68	2.362	4.53	1.38	1.16	0.96	26	2951	29977		2.9	3246
	2.165						2803	31068	M10		3083
75	2.559	5.43	1.50	1.22	0.98	52	4426	41507		5.1	4868
	2.362						3172	32226	M10		3489
80	2.756	5.55	1.50	1.22	0.98	52	4795	41754		5.1	5274
	2.559						4426	41507	M10		4868
85	2.953	6.10	1.77	1.50	1.24	52	6344	51561		7.1	6978
	2.559						4426	41507	M10		4868
90	2.953	6.10	1.77	1.50	1.24	52	6344	51561		7.1	6978
	2.756						5532	48178	M10		6085
95	3.150	6.69	1.99	1.71	1.44	52	7819	59580		9.5	8601
	2.756						5532	48178	M10		6085
100	3.150	6.69	1.99	1.71	1.44	52	7819	59580		9.5	8601
	3.150						9442	71946	M12		10386
105	3.543	7.28	2.24	1.93	1.59	89	12540	84936		12.8	13794
	3.150						9442	71946	M12		10386
110	3.543	7.28	2.24	1.93	1.59	89	12540	84936		12.8	13794
	3.346						10106	72475	M12		11116
115	3.740	7.76	2.40	2.09	1.77	89	13425	86146		15.2	14767
	3.346						10106	72475	M12		11116
120	3.740	7.76	2.40	2.09	1.77	89	13425	86146		15.2	14767
	3.543						12245	82938	M12		13469
125	3.937	8.46	2.42	2.11	1.77	89	15859	96677		19.2	17445
	3.740						15122	97032	M14		16634
130	4.331	9.06	2.62	2.26	1.85	140	21760	120591		23.8	23936
	3.740						15122	97032	M14		16634
135	4.331	9.06	2.62	2.26	1.85	140	21760	120591		23.8	23936
	3.937						17334	105671	M14		19068
140	4.528	9.06	2.64	2.28	1.85	140	23973	127078		22.7	26370
	4.331						23235	128767	M14		25559
150	4.921	10.35	2.83	2.48	2.01	140	31718	154684		33.5	34890
	4.331						23235	128767	M14		25559
155	4.921	10.35	2.83	2.48	2.01	140	31718	154684		33.5	34890
	4.724						33194	168623	M16		36513
160	5.315	11.42	3.11	2.68	2.20	214	43520	196519		47.4	47873
	4.724						33194	168623	M16		36513
165	5.315	11.42	3.11	2.68	2.20	214	43520	196519		47.4	47873
	5.118						40570	190242	M16		44627
170	5.709	11.81	3.15	2.72	2.20	214	52372	220179		49.6	57609
	5.118						40570	190242	M16		44627
175	5.709	11.81	3.15	2.72	2.20	214	52372	220179		49.6	57609
	5.512						59748	260162	M16		65723
180	6.102	12.60	3.80	3.37	2.81	214	74501	293006		72	81951
	5.512						59748	260162	M16		65723
185	6.102	12.60	3.80	3.37	2.81	214	74501	293006		72	81951
	5.906						71551	290782	M16		78706
190	6.496	13.39	3.80	3.37	2.81	214	88516	327027		80	97368

To continue see next page

Characteristics

Two part Shrink Disc® heavy duty series – with additional guide mechanism for the inner ring. For the transmission of maximum torques.

Highest reliability – applicable for static, dynamic and impact loads.

Simplified manufacture – only plain shaft and bore diameters with easily achieved surface finish and tolerances are required.

Fully replaceable – the RINGFEDER® Shrink Discs® work without any positive locking.

Visual check of the tightening status – minimizing installation errors during assembly.

Easy mounting – RINGFEDER® Shrink Discs® use standard screws and tightened using standard tools. No additional machining or fitting work is required.

Short assembly times – cost savings particularly in the case of quantity production.

Low susceptibility to contamination – when the locking screws are tightened the contact (functional) surfaces are pressed firmly together and prevent contamination by dirt and moisture.

Easy adjustability – No stops, steps, key-ways, splines etc. are required therefore, hubs can be located and locked at any point or angle on the shaft.

Shrink Disk dimensions						T _A	Transmissible torques or axial forces		Locking screws 12.9	Weight	T _{max}
d	dw	D	L ₁	L	l		T	F _{ax}			
mm			Inch			lb-ft	lb-ft	lbs	lbs	lb-ft	
	5.906						71551	290782		78706	
195	6.496 5.906	13.39	3.80	3.37	2.81	214	88516 71551	327027 290782	M16	80	97368 78706
200	6.496 6.299	13.39	3.80	3.37	2.81	214	88516 95893	327027 365351	M16	80	97368 105482
220	7.087 6.693	14.57	4.65	4.13	3.46	420	125398 112121	424681 402051	M20	117	137938 123333
240	7.874 7.480	15.94	4.80	4.29	3.62	420	161542 158592	492380 508828	M20	146	177696 174451
260	8.661 8.268	16.93	5.24	4.72	4.06	420	221290 208013	613176 603832	M20	181	243420 228814
280	9.449 8.661	18.11	5.83	5.31	4.49	420	280301 250796	711965 694933	M20	227	308331 275875
300	9.843 9.449	19.09	6.18	5.59	4.80	738	324559 302430	791406 768173	M24	265	357015 332673
320	10.630 9.843	20.47	6.18	5.59	4.80	738	390946 383570	882670 935297	M24	304	430041 421927
340	11.024 10.630	22.44	6.73	6.14	5.28	738	486839 435205	1059918 982595	M24	417	535523 478725
350	11.417 10.630	22.83	7.01	6.42	5.51	738	516344 464710	1085392 1049212	M24	417	567979 511181
360	11.811 11.417	23.23	7.09	6.50	5.51	738	590108 516344	1199099 1085392	M24	456	649119 567979
380	12.205 11.417	25.20	7.17	6.50	5.67	1070	612237 582732	1203934 1224942	M27	518	673461 641005
390	12.598 11.811	25.59	7.24	6.57	5.67	1070	722882 590108	1377091 1199099	M27	549	795170 649119
400	12.598 12.598	25.98	7.99	7.32	6.61	1070	663871 714768	1264675 1361633	M27	562	730259 786245
420	13.780 13.386	26.38	7.99	7.32	6.61	1070	872622 894013	1519858 1602914	M27	628	959884 983415
440	14.567 14.173	29.13	8.31	7.64	6.77	1070	1076947 1027525	1774343 1739943	M27	867	1184642 1130278
460	15.354 14.961	30.31	8.31	7.64	6.77	1070	1224474 1222261	1913947 1960764	M27	924	1346921 1344487
480	16.142 15.748	31.50	9.13	8.39	7.40	1453	1442814 1391917	2145218 2121282	M30	1085	1587095 1531109
500	16.929	33.46	9.13	8.39	7.40	1453	1630911	2312100	M30	1250	1794002

STAINLESS



Shrink Discs®



RfN 4071
Standard Series, stainless

Characteristics

Inexpensive manufacture – The large tolerances that are possible and the simple turning process guarantee inexpensive manufacture.

Simple installation – Only a few screws need to be tightened, alignment to precise angles between the hub and shaft is possible in any position, no fitting work is required.

Simple dismantling – Locking Assemblies RINGFEDER® are fitted with threaded extraction holes, so that no additional auxiliary equipment is necessary, series RfN 7012 is self-releasing.

Large constant reverse-torsion fatigue strength – shaft and hub are ungrooved, so that there is no weakening of these components. Shaft and hub can be designed to be considerably smaller (lighter, cost and space-saving design possible).

No danger of deflection – Locking Assemblies RINGFEDER® are absolutely backlash-free.

Effect similar to overload protection – After the set frictional connection force has been exceeded the Locking Assemblies simply slide. Valuable machine parts are protected. The Locking Assemblies are subject to the same laws as any other connection with force transmission by friction - not suitable as sliding clutch.

Completely maintenance-free – no follow-up costs.

Explanations to tables

$d, D, L, l, L_1, L_2, d_1$ = Basic dimensions

d_w = solid shaft diameter (provided by the customer)

T = transmissible torque

F_{ax} = transmissible axial force

p = approx. surface pressure on the hub extension (diameter d)

T_A = required tightening torque per screw (Screws greased with molykote!)

n = quantity of screws

T_{max} = maximum theoretical transmissible torque

C_w = shaft clearance

Ch = Hub tolerance

σ_v = calculated combined stress in the hub extension (d/d_w) under consideration of the tangential, radial and torsional stresses following the equation:

$$\sigma_v = \sqrt{\frac{1}{2} [(\sigma_x - \sigma_y)^2 + (\sigma_y - \sigma_z)^2 + (\sigma_z - \sigma_x)^2] + 3\tau^2}$$

Additional loads, e.g. tension, thrust or bending have to be taken into consideration accordingly.

Function values

The functional characteristics are valid with the screw tightening torque listed in the tables and the following assumed conditions:

The locking screws are lubricated using MoS₂ ($\mu_{tot} = 0.1$).
The tapered cones are lubricated using MoS₂ ($\mu = 0.05$).
The contact surfaces (d_w) are in lightly oiled condition with coefficient of friction $\mu = 0.12$.

The hub and shaft materials have a modulus of elasticity of 30×10^6 PSI. (Lower values result in increased values for T and F_{ax} with reduced tangential stress.)

The maximum clearance is being fully utilized.

The shaft being used is solid, for hollow shaft applications the functional values will change.

In cases where the assumed conditions do not apply then contact our Technical Department where we will be happy to assist you with your application.

Characteristics

Standard series – this range is the most popular, being used in most applications. High transmission values are possible, and by varying the screw tightening torque the Shrink Disc® can be adapted to the design specification.

Simplified manufacture – only plain shaft and bore diameters with easily achieved surface finish and tolerances are required.

Easy adjustability – No stops, steps, keyways, splines etc. are required, therefore hubs can be located and locked at any point or angle on the shaft.

Easy mounting – RINGFEDER® Shrink Discs® use standard screws and tightened using standard tools. No additional machining or fitting work is required.

Easy removal – after loosening the locking screws, the RINGFEDER® Shrink Disc® will self release and the hub will move freely on the shaft.

Low susceptibility to contamination – when the locking screws are tightened the contact (functional) surfaces are pressed firmly together and prevent contamination by dirt and moisture.



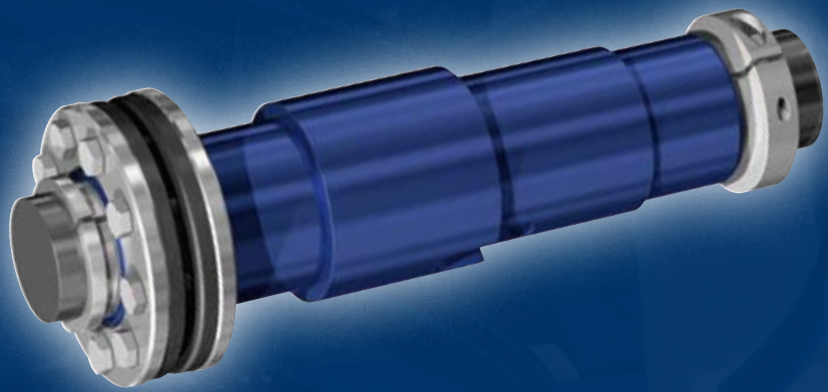
STAINLESS

Size	Shrink Disc® dimensions											Transmissible torques or axial forces				Locking screws DIN EN ISO A2-70		Weight	
	d _w	C _w	d	Ch	D	L ₁	L	d ₁	L ₂	l	T _A	T	F _{ax}	P	σ _v	Quantity	Thread	WT	T _{max}
	Inch	Inch	Inch	Inch	Inch	Inch	Inch	Inch	Inch	Inch	lb-ft	lb-ft	lbs	psi	n		lbs	lb-ft	
14	0.394		0.551		1.457	0.591	0.472	0.945	0.197	0.354	1.5	16	1124	33350	61190	3	M4x10	0.2	20
	28											1798	76995		35				
	38											2473	62785		47				
16	0.472		0.630		1.614	0.728	0.591	1.063	0.246	0.472	3	59	3147	36250	99180	3	M5x12	0.2	74
	66											3597	70035		83				
18	0.551		0.709	+0 -0.0013	1.732	0.728	0.591	1.142	0.246	0.472	3	95	4496	43065	119190	4	M5x12	0.2	119
	87											4496	69455		109				
20	0.669	0.0007	0.787		1.811	0.807	0.669	1.260	0.276	0.472	3	119	5395	48430	94105	5	M5x15	0.3	149
	140											5620	63945		177				
24	0.748		0.945		1.969	0.906	0.768	1.417	0.315	0.591	3	184	6744	38715	91785	6	M5x18	0.4	229
	236											7643	56115		295				
30	0.827		1.181		2.362	0.984	0.846	1.732	0.354	0.669	3	295	8542	35090	74240	7	M5x18	0.7	369
	427											7194	42775		302				
36	1.024		1.417		2.835	1.083	0.925	2.047	0.394	0.709	6	243	7194	31030	42775	5	M6x20	0.9	302
	354											8992	51475		443				
38	1.142		1.496		2.835	1.181	1.024	2.165	0.433	0.827	6	361	9442	30160	43645	6	M6x25	1.1	450
	413											9442	56985		509				
44	1.220		1.732	+0 -0.0015	3.150	1.181	1.024	2.402	0.433	0.787	6	391	9442	31900	50895	7	M6x25	1.2	487
	546											11465	54375		686				
48	1.260		1.890		3.150	1.181	1.024	2.677	0.433	0.866	6	450	9442	26680	44370	7	M6x25	1.2	561
	620											11690	48140		774				
50	1.417	0.0013	1.969		3.543	1.260	1.102	2.756	0.472	0.866	6	671	13488	32915	49590	9	M6x25	1.8	841
	878											15736	55825		1099				
55	1.496		2.165		3.937	1.358	1.201	2.953	0.512	0.906	6	642	11690	25375	40745	8	M6x25	2.4	804
	937											14837	49155		1173				
62	1.890		2.441		4.331	1.378	1.220	3.386	0.512	0.906	6	1210	19333	33785	46835	12	M6x30	2.9	1512
	1416											20682	57275		1770				
68	1.969		2.677	+0 -0.0018	4.528	1.378	1.220	3.386	0.512	0.906	6	833	12814	25665	44515	10	M6x30	3.1	1040
	1460											11914	59160		1829				
75	2.165		2.953		5.433	1.496	1.280	3.937	0.551	0.984	15	1195	16635	26680	43355	7	M8x30	3.7	1497
	1940											22705	47560		2427				
80	2.362		3.150		5.709	1.496	1.280	3.937	0.551	0.984	15	1364	17310	25085	40600	7	M8x30	4.2	1704
	2124											23154	44950		2655				
90	2.559	0.0019	3.543		6.102	1.752	1.535	4.488	0.669	1.181	15	2058	24054	26535	39875	10	M8x35	7.3	2574
	3046											31022	41905		3806				
100	2.756		3.937	+0 -0.0021	6.693	1.949	1.732	4.882	0.748	1.339	15	2552	27650	25230	37265	12	M8x35	10.4	3194
	3666											34844	37845		4580				
110	2.953		4.331		7.283	2.244	1.969	5.354	0.866	1.535	30	3201	32596	24215	35090	9	M10x40	13.0	4005
	4492											40239	35235		5613				
125	3.346	0.0027	4.921	+0 -0.0025	8.465	2.402	2.126	6.299	0.906	1.654	30	4595	41138	26390	40745	12	M10x40	18.3	5746
	6314											50805	40310		7892				

More sizes on request

RINGFEDER® Smart-Lock





Smart-Lock-Set RfN 4001

Smart-Lock-Set: the connection of the future

For the perfect hollow shaft connection, the solid shaft is always manufactured to a high degree of precision, normally with a dimensional tolerance of h6/H6. This close tolerance, high-finish shaft is inserted into the equally close tolerance hollow bore of the gearbox and secured in place by the compressive force of the Shrink Disc®. Only by maintaining the strict dimensional tolerances the full torque capacity can be reliability achieved.

Smart-Lock puts an end to all the precision machining involved and guarantees an optimum connection even with clearances up to 0.2 mm (0.008 inches).

The flexibility offered by using interchangeable bushings between the solid shaft and the hollow shaft of the gearbox makes the Smart-Lock-Set an invaluable aid to the marketplace. Thanks to the availability of shaft adapter bushings with various inside diameters, one gearbox can be used with a range of shaft sizes without a change out of the shaft or Shrink Disc®. The ease of selecting and using the Smart-Lock-Set is child's play.

The Smart-Lock-Set is an efficient design that makes economic sense to the user. Not only can it compensate for larger dimensional tolerances up to 0.2 mm (0.008 inches), it also offers significant cost savings by requiring a minimal number of spare parts needed in inventory. Furthermore, inexpensive, cold drawn, commercial available shafting up to quality grade h11 can be utilized without additional machining. The export market also benefits from using Smart-Lock-Set; adapter bushings in inch size standards are readily available from local inventories for countries that don't use metric measurements. Expensive specials and large spare part inventories are a thing of the past.

Characteristics

Flexible, cost-saving, easy to maintain: Smart-Lock-Set is the new Shaft/Hollow Shaft connection from RINGFEDER®. Cylindrical Bushings allow the attachment of hollow shaft gear reducers and other hollow shaft connections to any metric and inch size solid shaft diameter.

- **Reliable:**

Tension-optimized and virtually indestructible Shrink Discs guarantee the highest possible degree of safety

- **Uncompromising:**

Cylindrical Bushings for a wide range of shaft diameters provide the perfect connection.

- **Economical:**

The Smart-Lock-Set requires minimal labor at installation and reduces spare part inventory costs up to 70 %.

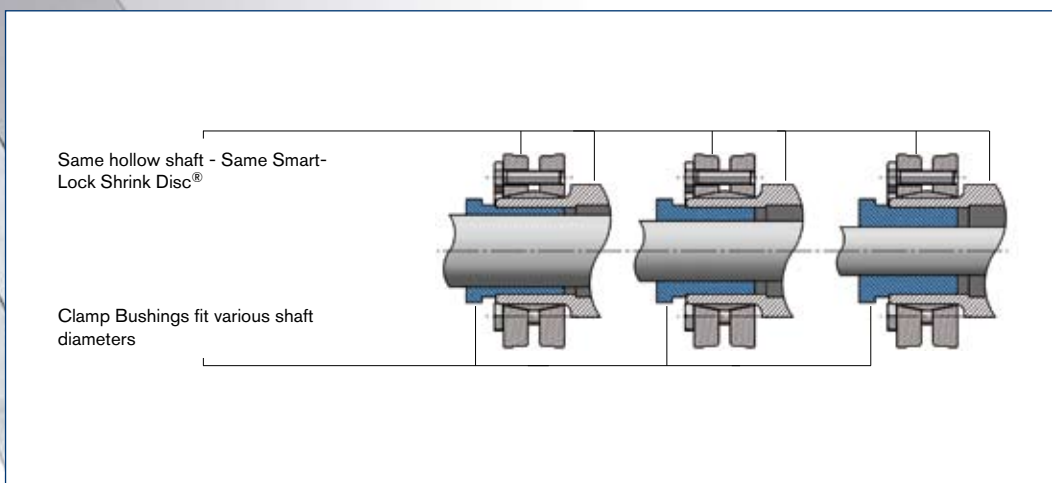
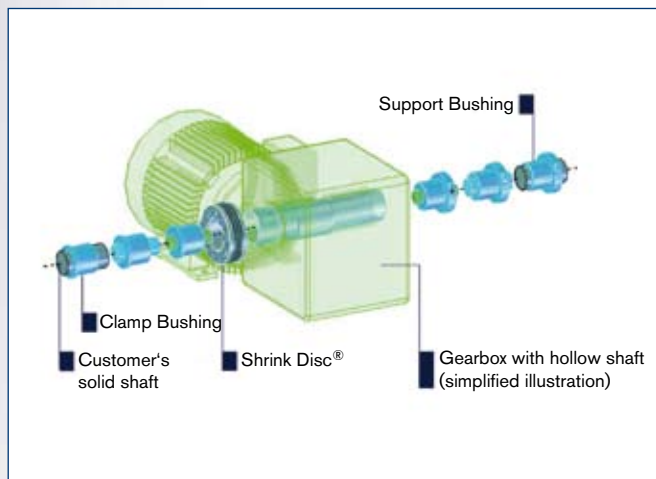
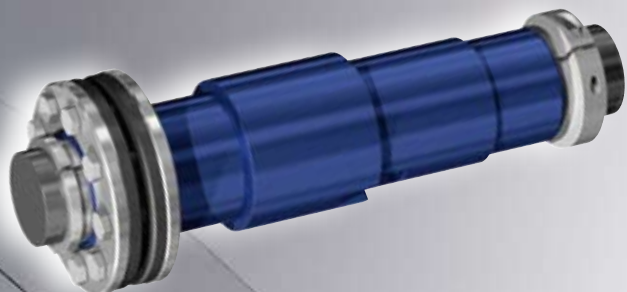
Technical details of the Smart-Lock-Set

For Gearbox manufacturers:

- Eight standard sizes of adaptor bushings are available for hollow shaft outside diameters from 44 to 90 mm.
- The inside diameters are variable and accommodate the most common metric and inch size shaft sizes.
- Commercially available solid shafting without any machining can be used. Diameters from 25 to 70 mm are possible.

For users of Gearboxes:

- The torque to be transmitted is the criterion used to select the shaft diameter.
- The optimum shaft size for an individual gearbox can be used in connection with the Smart-Lock-Set.
- It is possible to standardize on a certain gearbox size for a range of shaft diameters. The results are lower costs for maintenance and spare parts.

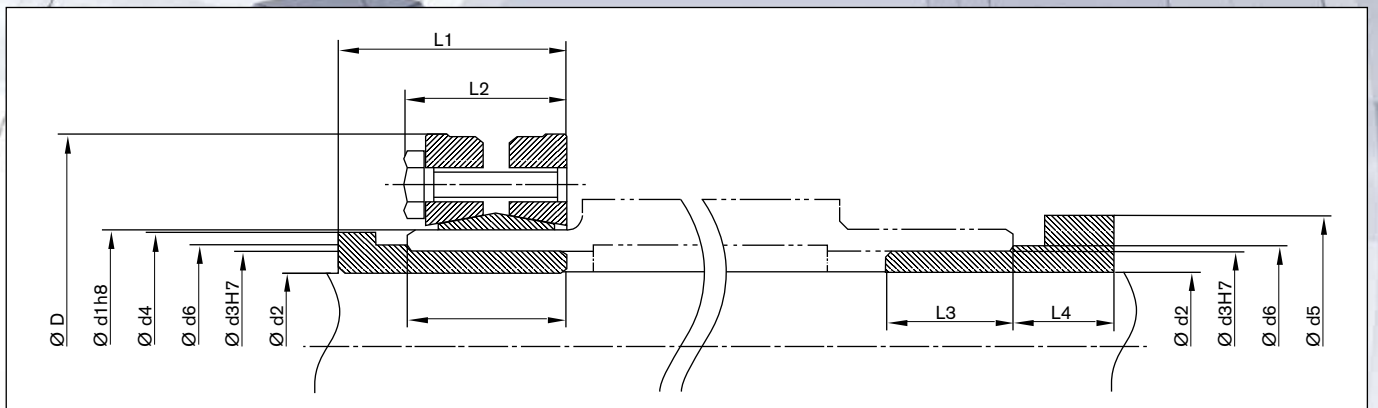


Larger dimensions available upon request. Technical data subject to change without notice. The Smart-Lock-Set is supplied with a RfN 4001 Shrink Disc® only. The bushings are only suitable for one-time use.

■ ■ ■ Transmissible torque without bushings in presence of d_3 and d_2 with identical diameter and clearance values as mentioned above, assuming dry contact surfaces.

dimensions											Max. allowable clearance	technical data heat-treated steel					
Ød 1	Ød 2	Ød 3	Ød 4	Ød 5	Ød 6	ØD	L1	L2	L3	L4		Transmissible torque		axial force	screws	tightening torque	Weight
mm/ in.	in.	in.	in.	in.	in.	in.	in.	in.	in.	in.		in.	lb.-in.	lb.-ft.	F _{ax} lbs	ISO 4014	T _A lbs-ft
44 1.732	1 1 1/8 1 3/16 1 1/4	1.417	1.693	1.949	1.496	3.150	1.614	1.220	1.181	0.709	0.005	5222 5841 6019 6196	435 487 502 516	10566	M6	12	0.75
50 1.969	1 3/16 1 1/4 1 3/8 1 7/16	1.654	1.929	2.343	1.732	3.543	1.772	1.339	1.339	0.709	0.006	7612 8054 8851 9205	634 671 738 767	12814	M6	8.85	2.20
55 2.165	1 3/16 1 1/4 1 3/8 1 7/16 1 1/2	1.890	2.126	2.539	1.969	3.937	1.811	1.378	1.378	0.709	0.006	7966 8408 9293 9647 10090	664 701 774 804 841	13489	M6	8.85	2.87
62 2.441	1 3/8 1 7/16 1 1/2 1 5/8 1 3/4	2.047	2.362	2.736	2.126	4.331	1.850	1.417	1.417	0.109	0.006	14869 15622 16285 17613 18941	1239 1302 1357 1468 1578	21806	M6	8.85	3.31
68 2.441	1 5/8 1 3/4 1 15/16 2	2.362	2.638	2.933	2.441	4.528	1.890	1.457	1.457	0.709	0.006	17879 19295 21357 19560	1490 1608 1780 1630	22031 20008	M6	8.85	3.86
75 2.953	1 15/16 2	2.559	2.874	3.130	2.638	5.433	1.969	1.535	1.535	0.709	0.006 0.007	16374 16462	1364 1372	16861	M8	22.13	5.95
80 3.150	1 15/16 2 2 3/8 2 7/16	2.756	3.071	3.327	2.835	5.709	1.969	1.535	1.535	0.709	0.007	31155 29384 34872 35846	2596 2449 2906 2987	32148 31923	M8	22.13	6.39
90 3.543	2 3/8 2 7/16 2 3/4	2.953	3.465	3.524	3.031	6.102	2.244	1.811	1.811	0.709	0.007	42041 43192 48679	3503 3599 4057	35520	M8	22.13	8.60

Larger dimensions available upon request. Technical data subject to change without notice. The Smart-Lock-Set is supplied with a RfN 4061 Shrink Disc® only. The bushings are only suitable for one-time use.



Dimensions S.75



Shrink Discs®



Clamp bushing



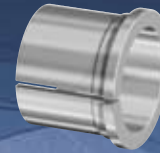
Support bushing

Smart-Lock-Set-Part numbers for metric size spare parts

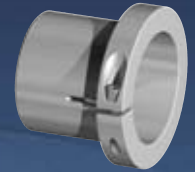
Shrink Discs®	Ød 1	Ød 2	Ød 3	Clamp bushing	Support bushing
	mm	mm	mm	metric sizes	metric sizes
RfN 4001-44x80	44	25	36	44 K 25/36	44 S 25/36
		28		44 K 28/36	44 S 28/36
		30		44 K 30/36	44 S 30/36
		32		44 K 32/36	44 S 32/36
RfN 4001-50x90	50	30	42	50 K 30/42	50 S 30/42
		32		50 K 32/42	50 S 32/42
		35		50 K 35/42	50 S 35/42
		38		50 K 38/42	50 S 38/42
		40		50 K 40/42	50 S 40/42
RfN 4001-55x100	55	35	48	55 K 35/48	55 S 35/48
		38		55 K 38/48	55 S 38/48
		40		55 K 40/48	55 S 40/48
		42		55 K 42/48	55 S 42/48
		45		55 K 45/48	55 S 45/48
RfN 4001-62x110	62	40	52	62 K 40/52	62 S 40/52
		45		62 K 45/52	62 S 45/52
		48		62 K 48/52	62 S 48/52
		50		62 K 50/52	62 S 50/52
RfN 4001-68x115	68	40	60	68 K 40/60	68 S 40/60
		45		68 K 45/60	68 S 45/60
		48		68 K 48/60	68 S 48/60
		50		68 K 50/60	68 S 50/60
		55		68 K 55/60	68 S 55/60
RfN 4001-75x138	75	45	65	75 K 45/65	75 S 45/65
		48		75 K 48/65	75 S 48/65
		50		75 K 50/65	75 S 50/65
		55		75 K 55/65	75 S 55/65
		60		75 K 60/65	75 S 60/65
RfN 4001-80x145	80	45	70	80 K 45/70	80 S 45/70
		50		80 K 50/70	80 S 50/70
		55		80 K 55/70	80 S 55/70
		60		80 K 60/70	80 S 60/70
		65		80 K 65/70	80 S 65/70
RfN 4001-90x155	90	50	75	90 K 50/75	90 S 50/75
		55		90 K 55/75	90 S 55/75
		60		90 K 60/75	90 S 60/75
		65		90 K 65/75	90 S 65/75
		70		90 K 70/75	90 S 70/75



Shrink Discs®



Clamp bushing

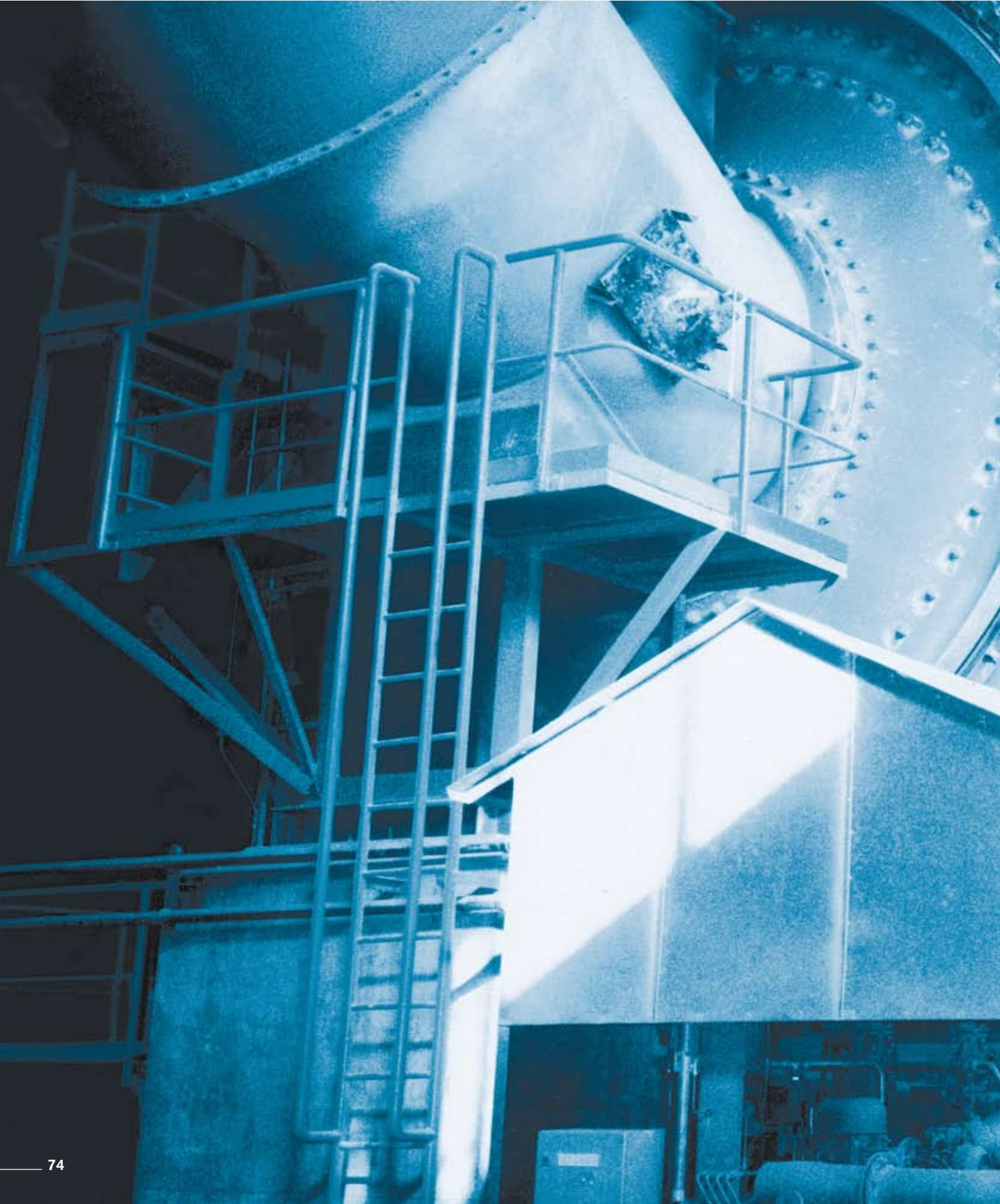


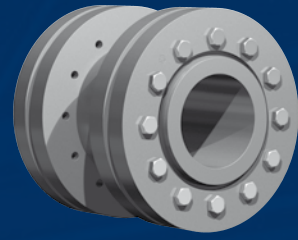
Support bushing

Smart-Lock-Set-Part numbers for metric size spare parts

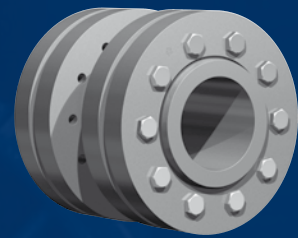
Shrink Discs®	Ød 1	Ød 2	Ød 3	Clamp bushing	Support bushing
	mm	inch	mm	inch sizes	inch sizes
RfN 4001-44x80	44	1.0	36	44 K 1.0/36	44 S 1.0/36
		1.125		44 K 1.125/36	44 S 1.125/36
		1.1875		44 K 1.1875/36	44 S 1.1875/36
		1.25		44 K 1.25/36	44 S 1.25/36
RfN 4001-50x90	50	1.1875	42	50 K 1.875/42	50 S 1.875/42
		1.25		50 K 1.25/42	50 S 1.25/42
		1.375		50 K 1.375/42	50 S 1.375/42
		1.4375		50 K 1.4375/42	50 S 1.4375/42
RfN 4001-55x100	55	1.1875	48	55 K 1.875/48	55 S 1.875/48
		1.25		55 K 1.25/4	55 S 1.875/48
		1.375		55 K 1.375/48	55 S 1.875/48
		1.4375		55 K 1.4375/48	55 S 1.875/48
RfN 4001-62x110	62	1.5	52	55 K 1.5/48	55 S 1.5/48
		1.375		62 K 1.375/52	62 S 1.375/52
		1.4375		62 K 1.4375/52	62 S 1.4375/52
		1.5		62 K 1.5/52	62 S 1.5/52
RfN 4001-68x115	68	1.625	60	62 K 1.625/52	62 S 1.625/52
		1.75		62 K 1.75/52	62 S 1.75/52
		1.9375		62 K 1.9375/52	62 S 1.9375/52
		1.625		68 K 1.625/60	68 S 1.625/60
RfN 4001-75x138	75	1.75	65	68 K 1.75/60	68 S 1.75/60
		1.9375		68 K 1.9375/60	68 S 1.9375/60
		2.0		68 K 2.0/60	68 S 2.0/60
RfN 4001-80x145	80	1.9375	70	75 K 1.9375/65	75 S 1.9375/65
		2.0		75 K 2.0/65	75 S 2.0/65
		2.375		80 K 1.9375/70	80 S 1.9375/70
		2.4375		80 K 2.0/70	80 S 2.0/70
RfN 4001-90x155	90	2.375	75	80 K 2.375/70	80 S 2.375/70
		2.4375		80 K 2.4375/70	80 S 2.4375/70
		2.75		90 K 2.375/75	90 S 2.375/75
				90 K 2.4375/75	90 S 2.4375/75
				90 K 2.75/75	90 S 2.75/75

RINGFEDER® Shaft Couplings





WK 5071



WK 5091

Characteristics

RINGFEDER rigid sleeve Couplings, type WK 5071 and WK 5091 have a proven track record in the industry. These Couplings are pre-engineered with RINGFEDER Shrink Discs® to connect two components rigidly and backlash free, when there is no misalignment between those components permitted.

Applications such as conveyor drives, ship drive shafts, line shafts in steel mills, etc., are ideal applications for the standard and heavy duty rigid sleeve Couplings.

Although our catalog shows some preselected standard length sleeve Couplings, our technical staff can custom make a design to fit your needs. We can provide special lengths, materials and versions for every need. Please contact the nearest RINGFEDER POWER TRANSMISSION OFFICE!

Explanations to tables

$d, D, L, l, L_1, L_2, d_1$ = Basic dimensions

d_w = solid shaft diameter (provided by the customer)

T = transmissible torque

F_{ax} = transmissible axial force

p = approx. surface pressure on the hub extension (diameter d)

T_A = required tightening torque per screw (Screws greased with molykote!)

n = quantity of screws

T_{max} = maximum theoretical transmissible torque

C_w = shaft clearance

LH = overall Coupling length

LD = overall Shrink Disc[®] width

σ_v = calculated combined stress in the hub extension (d/d_w) under consideration of the tangential, radial and torsional stresses following the equation:

$$\sigma_v = \sqrt{\frac{1}{2} [(\sigma_x - \sigma_y)^2 + (\sigma_y - \sigma_z)^2 + (\sigma_z - \sigma_x)^2] + 3\tau^2}$$

Additional loads, e.g. tension, thrust or bending have to be taken into consideration accordingly.

Function values

The functional characteristics are valid with the screw tightening torque listed in the tables and the following assumed conditions:

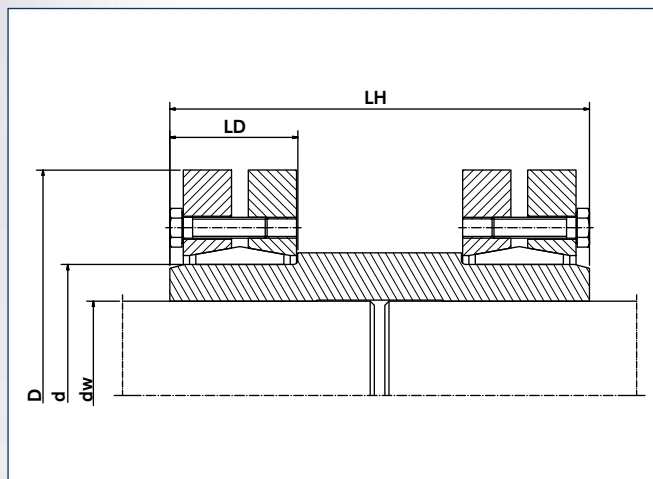
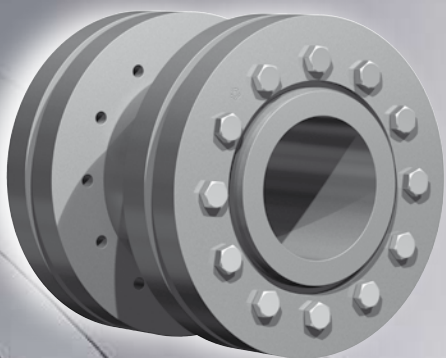
The locking screws are lubricated using MoS₂ ($\mu_{tot} = 0.1$).
The tapered cones are lubricated using MoS₂ ($\mu = 0.05$).
The contact surfaces (d_w) are in lightly oiled condition with coefficient of friction $\mu = 0.12$.

The hub and shaft materials have a modulus of elasticity of 30×10^6 PSI. (Lower values result in increased values for T and F_{ax} with reduced tangential stress.)

The maximum clearance is being fully utilized.

The shaft being used is solid, for hollow shaft applications the functional values will change.

In cases where the assumed conditions do not apply then contact our Technical Department where we will be happy to assist you with your application.



Explanations

- TA = tightening torque per screw (dG)
- T = transmissible torque
- Fax = transmissible axial force

Further hints, explanations and fundamentals of calculation may be taken from our Shrink Disc® catalog.

Surface

For shaft diameter d_w :

peak-to-valley height $Ra \leq 125$ RMS.

Clearances considered for the calculation of the function values:

d_w		ISO	clearance C_w INCH
above INCH	up to INCH		
0.236	0.394	H6/j6	0.0005
0.394	0.709		0.0007
0.709	1.181		0.0007
1.181	1.969	H6/h6	0.0013
1.969	3.150	H6/g6	0.0019
3.150	4.724	H7/g6	0.0027
4.724	7.087		0.0031
7.087	9.843		0.0035
9.843	12.402		0.0040
12.402	15.748		0.0044
15.748	19.685		0.0048

Size	Coupling dimensions							Transmissible torques or axial forces			
	d _w	C _w	d	D	L _H	L _D	d _G	T _A	T	F _{ax}	
	Inch							lb-ft	lb-ft	lbs	
20	0.591	+0 -0.0007	0.787	1.811	1.772	0.827	M 5	3	81	4271	
	0.669								112	5170	
24	0.748		0.945	1.969	1.969	0.906	M 5	3	125	5620	
	0.827								184	6519	
30	0.945		1.181	2.362	2.165	0.984	M 5	3	221	6519	
	1.024								273	7418	
36	1.102		1.417	2.835	2.559	1.102	M 6	9	325	11240	
	1.220								465	13038	
40	1.181		+0 -0.0013	1.575	2.953	2.559	1.142	M 6	9	446	13938
	1.260									487	14162
44	1.260	1.732		3.150	2.756	1.181	M 6	9	524	15736	
	1.417								634	17310	
50	1.496	1.969		3.543	3.150	1.260	M 6	9	693	17759	
	1.654								1018	20682	
55	1.654	2.165		3.937	3.346	1.378	M 6	9	856	17759	
	1.890								1387	21806	
62	1.890	2.441		4.331	3.543	1.378	M 6	9	1364	22480	
	2.047								1770	26302	
68	1.969	+0 -0.0019	2.677	4.528	3.937	1.378	M 6	9	1475	21806	
	2.362								2323	26976	
75	2.165		2.953	5.433	4.724	1.496	M 8	22	1844	26751	
	2.559								2913	34844	
80	2.362		3.150	5.709	5.118	1.496	M 8	22	2360	27875	
	2.756								3393	35518	
90	2.559		3.543	6.102	5.512	1.772	M 8	22	3503	38216	
	2.953								5347	47208	
100	2.756		3.937	6.693	6.299	1.969	M 8	22	5089	43836	
	3.150								6638	53952	
110	2.953	+0 -0.0027	4.331	7.283	7.087	2.244	M 10	44	5310	51479	
	3.346								7966	58898	
125	3.346		4.921	8.465	7.874	2.402	M 10	44	8113	66541	
	3.740								11063	79130	
140	3.740		5.512	9.055	8.268	2.717	M 12	74	11137	82502	
	4.134								14825	95540	
155	4.134		6.102	10.433	9.055	2.874	M 12	74	16226	100486	
	4.528								20652	114423	
165	4.528		6.496	11.417	9.449	3.189	M 16	184	22864	133756	
	4.921								28765	147244	
175	4.921	+0 -0.0031	6.890	11.811	9.843	3.189	M 16	184	26552	136004	
	5.315								33190	151740	
185	5.315		7.283	12.992	10.433	3.780	M 16	184	38353	174894	
	5.709								45729	193553	
195	5.512		7.677	13.780	11.024	3.780	M 16	184	47941	209738	
	6.102								60111	240761	
200	5.906		7.874	13.780	11.417	3.780	M 16	184	54579	222552	
	6.299								63430	242784	

To continue see next page

Characteristics

Three part Shrink Disc® heavy duty series – with additional guide mechanism for the inner ring. For the transmission of maximum torques.

Highest reliability – applicable for static, dynamic and impact loads.

Simplified manufacture – only plain shaft and bore diameters with easily achieved surface finishes and tolerances are required.

Fully replaceable – the RINGFEDER® Shrink Discs® work are self releasing.

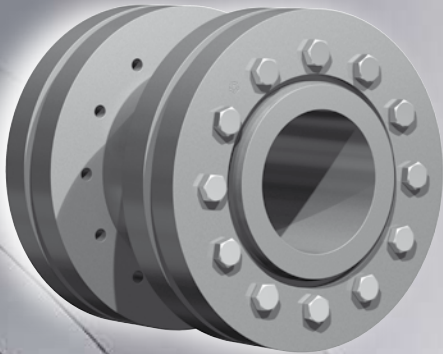
Visual check of the tightening status – minimization of faults during assembly.

Easy mounting – RINGFEDER® Shrink Discs® use standard screws and tightened using standard tools. No additional machining or fitting work is required.

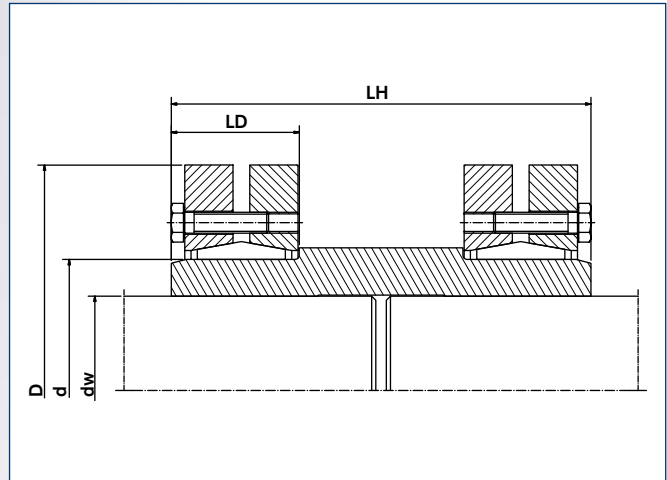
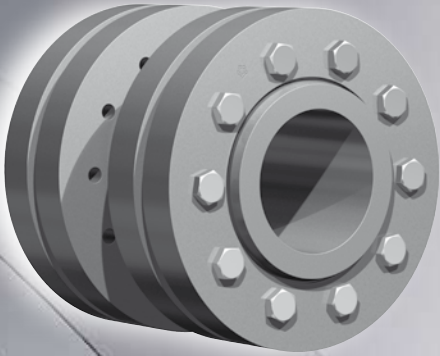
Short assembly times – cost savings particularly in the case of series production.

Low susceptibility to contamination – when the locking screws are tightened the contact (functional) surfaces are pressed firmly together and prevent contamination by dirt and moisture.

Easy adjustability – No stops, steps, key-ways, splines etc. are required therefore, hubs can be located and locked at any point or angle on the shaft.



Size	Coupling dimensions							Transmissible torques or axial forces		
	d _w Inch	C _w Inch	d Inch	D Inch	L _H Inch	L _D Inch	d _G Inch	T _A lb-ft	T lb-ft	F _{ax} lbs
220	6.299	0.0031	8.661	14.567	12.205	4.488	M 16	184	70068	267512
	6.693								81132	289992
240	6.693		9.449	15.945	13.780	4.803	M 20	361	88507	329107
	7.480	0.0035	10.236	16.929	15.354	5.236	M 20	361	115059	376540
7.480	120960								395648	
260	8.268	0.0035	11.024	18.110	16.929	5.787	M 20	361	151200	451848
	8.268								160051	469832
280	9.055		11.811	19.094	17.520	6.102	M 20	361	199141	528280
	9.055	0.0040	12.598	20.472	18.110	6.142	M 20	361	202829	546489
9.646	232331								592573	
300	9.449	0.0040	13.386	22.441	18.898	6.772	M 20	361	230119	595046
	10.236								275847	651920
320	9.843		13.780	22.835	19.291	6.890	M 20	361	287648	701151
	10.630	0.0044	14.173	23.228	19.685	6.890	M 20	361	339278	764320
10.630	326002								736445	
350	11.220	0.0044	14.961	25.394	20.866	7.205	M 24	620	368780	786800
	11.024								341490	744088
360	11.614		15.354	25.984	21.260	7.205	M 24	620	385006	794893
	11.417	0.0048	15.748	26.772	21.260	7.205	M 24	620	418197	878968
12.205	485314								954950	
380	11.811	0.0048	16.535	27.165	22.835	7.992	M 24	620	460237	935168
	12.598								529568	1008003
400	12.402		17.323	29.528	23.622	8.661	M 24	620	494165	957648
	12.992	0.0044	17.323	29.528	23.622	8.661	M 24	620	548745	1011600
12.992	575297								1090280	
420	13.780	0.0044	18.110	30.315	24.409	8.661	M 24	620	663804	1173456
	13.386								594473	1065552
440	14.173		18.898	31.496	25.394	9.055	M 24	620	676343	1144232
	14.173	0.0048	19.685	33.465	26.378	9.055	M 27	922	737560	1274616
14.961	840818								1360040	
460	14.961	0.0048	19.685	33.465	26.378	9.055	M 27	922	862945	1382520
	15.748								966204	1472440
480	15.748		20.866	27.165	22.835	7.992	M 24	620	967679	1474688
	16.535	21.260	22.835	7.992	M 24	620	1073150	1557864		



Heavy Duty Coupling

Size	Coupling dimensions							Transmissible torques or axial forces		
	d _w Inch	C _w Inch	d Inch	D Inch	L _H Inch	L _D Inch	d _G Inch	T _A lb-ft	T lb-ft	F _{ax} lbs
125	3.346		4.921	8.465	7.874	2.874	M 12	74	11063	79804
	3.740								+0 -0.0013	14751
140	3.740		5.512	9.055	8.268	3.228	M 12	74	15194	97338
	4.134								19545	112400
155	4.134		6.102	10.433	9.055	3.465	M 12	74	21094	123640
	4.528								26847	141624
165	4.528		6.496	11.417	9.449	3.858	M 16	184	10326	166352
	4.921								37394	183212
175	4.921		6.890	11.811	9.843	3.858	M 16	184	34665	168600
	5.315								+0 -0.0015	42041
185	5.315		7.283	12.992	10.433	4.803	M 16	184	53104	247280
	5.709								63430	269760
195	5.512		7.677	13.780	11.024	4.803	M 16	184	55317	241660
	6.102								70806	277628
200	5.906		7.874	13.780	11.417	4.803	M 16	184	68224	276504
	6.299								78919	302356
220	6.299		8.661	14.567	12.205	5.669	M 16	184	93670	357432
	6.496								108053	386656
240	6.693		9.449	15.945	13.780	6.181	M 20	361	114322	409136
	6.693								146037	467584
260	7.480		10.236	16.929	15.354	6.811	M 20	361	157100	508048
	7.480								197666	579984
280	8.268		11.024	18.110	16.929	7.283	M 20	361	210205	615952
	8.268								261834	694632
300	9.055		11.811	19.094	17.520	7.441	M 20	361	251508	665408
	9.055								+0 -0.0019	290599
	9.646									

To continue see next page

Characteristics

Three part Shrink Disc® heavy duty series – with additional guide mechanism for the inner ring. For the transmission of maximum torques.

Highest reliability – applicable for static, dynamic and impact loads.

Simplified manufacture – only plain shaft and bore diameters with easily achieved surface finishes and tolerances are required.

Fully replaceable – the RINGFEDER® Shrink Discs® work are self releasing.

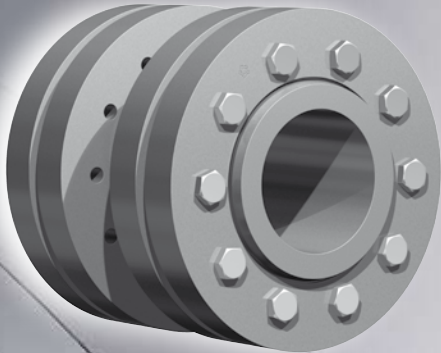
Visual check of the tightening status – minimization of faults during assembly.

Easy mounting – RINGFEDER® Shrink Discs® use standard screws and tightened using standard tools. No additional machining or fitting work is required.

Short assembly times – cost savings particularly in the case of series production.

Low susceptibility to contamination – when the locking screws are tightened the contact (functional) surfaces are pressed firmly together and prevent contamination by dirt and moisture.

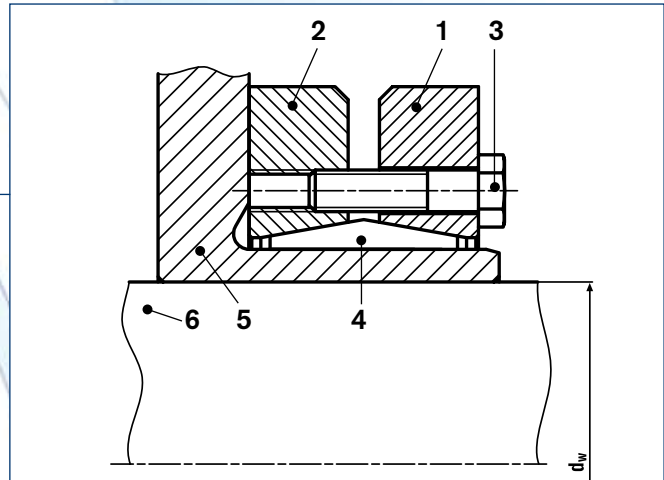
Easy adjustability – No stops, steps, key-ways, splines etc. are required therefore, hubs can be located and locked at any point or angle on the shaft.



Size	Coupling dimensions							Transmissible torques or axial forces			
	d _w Inch	C _w Inch	d Inch	D Inch	L _H Inch	L _D Inch	d _G Inch	T _A lb-ft	T lb-ft	F _{ax} lbs	
320	9.449	+0 -0.0019	12.598	20.472	18.110	7.756	M 20	361	278798	708120	
	10.236								332640	780056	
340	9.843		13.386	22.441	18.898	8.465	M 24	620	361036	878968	
	10.630								426310	961020	
350	10.630		13.780	22.835	19.291	8.465	M 24	620	410083	926626	
	11.220								463925	992492	
360	11.024		14.173	23.228	19.685	8.622	M 24	620	451387	982376	
	11.614								508179	1049816	
380	11.417		+0 -0.0021	14.961	25.394	20.866	8.622	M 24	620	455812	959896
	12.205									530306	1044196
390	11.811	15.354		25.984	21.260	8.937	M 24	620	522192	1059932	
	12.598								600743	1144232	
400	12.402	15.748		26.772	21.260	8.937	M 24	620	564233	1091404	
	12.992								623238	1152100	
420	12.992	16.535		27.165	22.835	9.961	M 24	620	736822	1361164	
	13.780								840818	1464572	
440	13.386	17.323		29.528	23.622	10.591	M 27	922	780338	1400504	
	14.173								888022	1503912	
460	14.173	18.110	30.315	24.409	10.591	M 27	922	973579	1672512		
	14.961							1106340	1787160		
480	14.961	+0 -0.0024	18.898	31.496	25.394	11.457	M 27	922	1132155	1816384	
	15.748								1268603	1933280	
500	15.748		19.685	33.465	26.378	11.457	M 27	922	1290730	1967000	
	16.535								1430866	2079400	

3-part design

- 1 front thrust ring
- 2 rear thrust ring
- 3 locking screw
- 4 inner ring
- 5 hub
- 6 shaft



Shrink Discs® RfN 4051/4071/4061/4091/4073: designation of the parts

Installation and removal instructions

Shrink Discs® RfN 4051, 4061, 4071, 4091, 4073

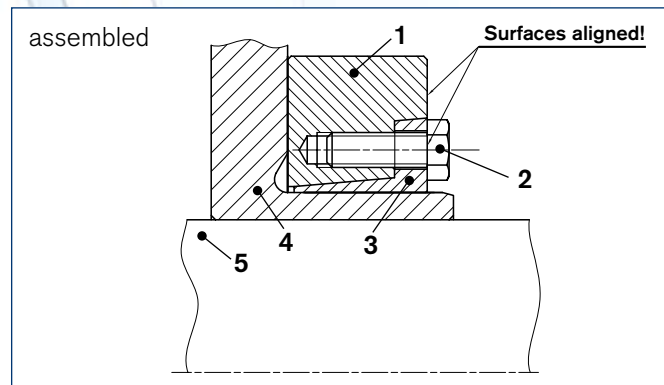
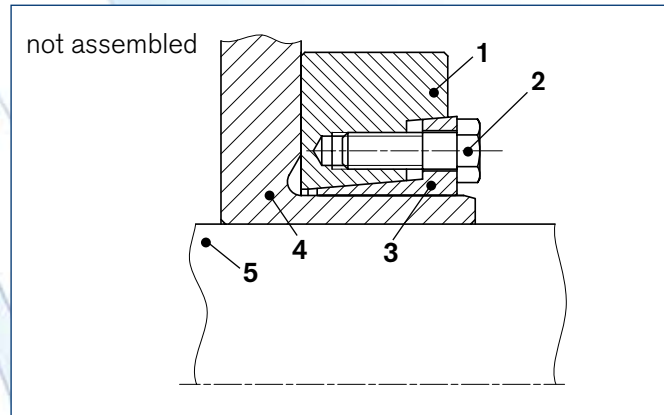
Installation

1. Clean the area on the hub where the Shrink Disc® will be seated and oil to ease assembly, if necessary.
2. Removing spacers which may be present between the thrust rings for transport purposes.
3. Sliding the Shrink Disc® onto the hub.
Attention: Do not start tightening the bolts before the shaft is in the bore of the hub, as this may cause permanent deformation.
4. Slide the hub onto the shaft and position as required. Use a thin oil to lightly lubricate the hub bore and shaft to facilitate assembly.
Attention: Do not use lubricants containing MOS2.
5. Tighten 3 or 4 locking screws that are equally spaced around the diameter to establish a parallel or perpendicular position of Shrink Disc® collar(s) relative to hub web or shaft, respectively. This step properly seats the collar(s) on the taper of the inner ring.
6. Using a torque wrench, tighten all locking screws gradually and in sequence all the way around (not in a diametrically opposite sequence). Several passes may be required until all screws are torqued to the specified tightening torque (T_A).
7. Verify that the screws are completely tight by applying the specified tightening torque (T_A). The gap between the Shrink Disc® collars or between the Shrink Disc® collar and the hub should be even all the way around.

Removal

1. Loosen the bolts evenly and in sequence, again in several circular sequences, to avoid jamming of the discs on the inner ring. Never completely remove the bolts from their threaded holes, this creates a risk of accidents.
2. Slide the Shrink Disc® and its attached part from the shaft. Clean shaft and remove possible traces of rust from the shaft.

2-part design



Shrink Discs® RfN 4171/4161/4181: designation of the parts

- 1 outer ring
- 2 locking screw
- 3 inner ring
- 4 hub
- 5 shaft

Installation and removal instructions

Shrink Discs® 4161, 4171, 4181

Installation

1. Clean the area on the hub where the Shrink Disc® will be seated and oil to ease assembly, if necessary.
2. Sliding the Shrink Disc® onto the hub.
Attention: Do not start tightening before the shaft is in the bore of the hub; this may cause permanent deformation.
3. Slide the hub onto the shaft and position as required. Use a thin oil to lightly lubricate the hub bore and shaft to facilitate assembly.
Attention: Do not use lubricants containing MOS2.
4. Tighten 3 or 4 locking screws that are equally spaced around the diameter to establish a parallel position of the Shrink Disc® inner relative to outer ring. This step properly seats the the taper of the inner ring.
5. Using a torque wrench, tighten all locking screws gradually and in sequence all the way around (not in a diametrically opposite sequence). Several passes may be required until all screws are torqued to the specified tightening torque (T_A).
6. Verify that the screws are completely tight by applying the specified tightening torque (T_A).



- Assembly, using a torque wrench:
Check torquing of the bolts in sequence of their positions. Assembly is only complete once all the bolts have been torqued as specified.

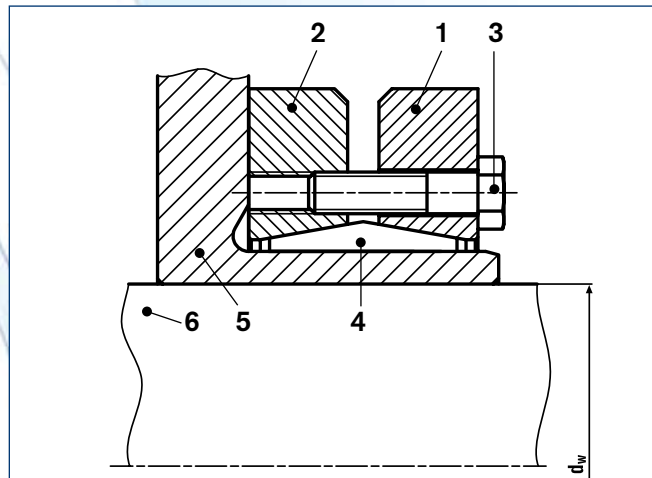


- Assembly, without a torque wrench:
Assembly is complete once the faces of the inner and outer rings are aligned flush.

Removal

1. Gradually release the locking bolts all the way around. Begin by releasing each bolt only about one quarter of a turn.
2. If the Shrink Disc® does not loosen, back all screws out until there is a gap between the head of the bolts and the Shrink Disc® face.
3. Completely remove a few screws and thread them into the adjacent removal threads roughly equally spaced around the diameter. Use these fasteners to push the inner ring away from the outer collar until the Shrink Disc® is loose on the shaft.

3-part design



Shrink Discs® RfN 4071: designation of the parts

STAINLESS

- 1 front thrust ring
- 2 rear thrust ring
- 3 locking screw
- 4 inner ring
- 5 hub
- 6 shaft

Installation and removal instructions

Shrink Discs® RfN 4071 Stainless

Installation

1. Clean the area on the shaft where the Shrink Disc® will be seated and oil lightly to ease assembly, if necessary.
Attention: Do not use lubricants containing MOS2.
2. Fasten the attachment part to the Shrink Disc®.
ATTENTION: Tighten the bolts lightly.
3. Slide the Shrink Disc® onto the shaft.
4. Tighten 3 or 4 locking screws that are equally spaced around the diameter to establish a parallel or perpendicular position of Shrink Disc® collar(s) relative to hub web or shaft, respectively. This step properly seats the collar(s) on the taper of the inner ring.
5. Using a torque wrench, tighten all locking screws gradually and in sequence all the way around (not in a diametrically opposite sequence). Several passes may be required until all screws are torqued to the specified tightening torque (T_A).
6. Verify that the screws are completely tight by applying the specified tightening torque (T_A). The gap between the Shrink Disc® collars or between the Shrink Disc® collar and the hub should be even all the way around.

Removal

1. Loosen the bolts evenly and in sequence, again in several circular sequences, to avoid jamming of the discs on the inner ring. Never completely remove the bolts from their threaded holes, this creates a risk of accidents.
2. Slide the Shrink Disc® and its attachment part from the shaft. First remove possible traces of rust from the shaft.
3. Release the attachment part from the Shrink Disc®.

ISO Tolerances

Shafts

Nominal diameter of shaft		d11		e8		e7		f8		f7		g6		h11		h9		h8		h7	
		above	to	upper	lower	upper	lower	upper	lower	upper	lower	upper	lower	upper	lower	upper	lower	upper	lower	upper	lower
INCH																					
0.118	0.236	-0.0012	-0.0041	-0.0008	-0.0015	-0.0008	-0.0013	-0.0004	-0.0011	-0.0004	-0.0009	-0.0002	-0.0005	0	-0.0030	0	-0.0012	0	-0.0007	0	-0.0005
0.236	0.394	-0.0016	-0.0051	-0.0010	-0.0019	-0.0010	-0.0016	-0.0005	-0.0014	-0.0005	-0.0011	-0.0002	-0.0006	0	-0.0035	0	-0.0014	0	-0.0009	0	-0.0006
0.394	0.709	-0.0020	-0.0063	-0.0013	-0.0023	-0.0013	-0.0020	-0.0006	-0.0017	-0.0006	-0.0013	-0.0002	-0.0007	0	-0.0043	0	-0.0017	0	-0.0011	0	-0.0007
0.709	1.181	-0.0026	-0.0077	-0.0016	-0.0029	-0.0016	-0.0024	-0.0008	-0.0021	-0.0008	-0.0017	-0.0003	-0.0008	0	-0.0051	0	-0.0020	0	-0.0013	0	-0.0008
1.181	1.969	-0.0031	-0.0094	-0.0020	-0.0035	-0.0020	-0.0030	-0.0010	-0.0025	-0.0010	-0.0020	-0.0004	-0.0010	0	-0.0063	0	-0.0024	0	-0.0015	0	-0.0010
1.969	3.150	-0.0039	-0.0114	-0.0024	-0.0042	-0.0024	-0.0035	-0.0012	-0.0030	-0.0012	-0.0024	-0.0004	-0.0011	0	-0.0075	0	-0.0029	0	-0.0018	0	-0.0012
3.150	4.724	-0.0047	-0.0134	-0.0028	-0.0050	-0.0028	-0.0042	-0.0014	-0.0035	-0.0014	-0.0028	-0.0005	-0.0013	0	-0.0087	0	-0.0034	0	-0.0021	0	-0.0014
4.724	7.087	-0.0057	-0.0156	-0.0033	-0.0058	-0.0033	-0.0049	-0.0017	-0.0042	-0.0017	-0.0033	-0.0006	-0.0015	0	-0.0098	0	-0.0039	0	-0.0025	0	-0.0016
7.087	9.843	-0.0067	-0.0181	-0.0039	-0.0068	-0.0039	-0.0057	-0.0020	-0.0048	-0.0020	-0.0038	-0.0006	-0.0017	0	-0.0114	0	-0.0045	0	-0.0028	0	-0.0018
9.843	12.402	-0.0075	-0.0201	-0.0043	-0.0075	-0.0043	-0.0064	-0.0022	-0.0054	-0.0022	-0.0043	-0.0007	-0.0019	0	-0.0126	0	-0.0051	0	-0.0032	0	-0.0020
12.402	15.748	-0.0083	-0.0224	-0.0049	-0.0084	-0.0049	-0.0072	-0.0024	-0.0059	-0.0024	-0.0047	-0.0007	-0.0021	0	-0.0142	0	-0.0055	0	-0.0035	0	-0.0022
15.748	19.685	-0.0091	-0.0248	-0.0053	-0.0091	-0.0053	-0.0078	-0.0027	-0.0065	-0.0027	-0.0052	-0.0008	-0.0024	0	-0.0173	0	-0.0061	0	-0.0038	0	-0.0025

Nominal diameter of shaft		h6		h5		j6		k6		k5		m6		m5		n6		p6	
		above	to	upper	lower	upper	lower	upper	lower	upper	lower	upper	lower	upper	lower	upper	lower	upper	lower
INCH																			
0.118	0.236	0	-0.0003	0	-0.0002	+0.0003	0.0000	-	-	-	-	+0.0005	+0.0002	+0.0004	+0.0002	+0.0006	+0.0003	+0.0008	+0.0005
0.236	0.394	0	-0.0004	0	-0.0002	+0.0003	-0.0001	+0.0004	+0.0000	+0.0003	+0.0000	+0.0006	+0.0002	+0.0005	+0.0002	+0.0007	+0.0004	+0.0009	+0.0006
0.394	0.709	0	-0.0004	0	-0.0003	+0.0003	-0.0001	+0.0005	+0.0000	+0.0004	+0.0000	+0.0007	+0.0003	+0.0006	+0.0003	+0.0009	+0.0005	+0.0011	+0.0007
0.709	1.181	0	-0.0005	0	-0.0004	+0.0004	-0.0002	+0.0006	+0.0001	+0.0004	+0.0001	+0.0008	+0.0003	+0.0007	+0.0003	+0.0011	+0.0006	+0.0014	+0.0010
1.181	1.969	0	-0.0006	0	-0.0004	+0.0004	-0.0002	+0.0007	+0.0001	+0.0005	+0.0001	+0.0010	+0.0004	+0.0008	+0.0004	+0.0013	+0.0007	+0.0017	+0.0010
1.969	3.150	0	-0.0007	0	-0.0005	+0.0005	-0.0003	+0.0008	+0.0001	+0.0006	+0.0001	+0.0012	+0.0004	+0.0009	+0.0004	+0.0015	+0.0008	+0.0020	+0.0013
3.150	4.724	0	-0.0009	0	-0.0006	+0.0005	-0.0004	+0.0010	+0.0001	+0.0007	+0.0001	+0.0014	+0.0005	+0.0011	+0.0005	+0.0018	+0.0009	+0.0023	+0.0015
4.724	7.087	0	-0.0010	0	-0.0007	+0.0006	-0.0004	+0.0011	+0.0001	+0.0008	+0.0001	+0.0016	+0.0006	+0.0013	+0.0006	+0.0020	+0.0011	+0.0027	+0.0017
7.087	9.843	0	-0.0011	0	-0.0008	+0.0006	-0.0005	+0.0013	+0.0002	+0.0009	+0.0002	+0.0018	+0.0007	+0.0015	+0.0007	+0.0024	+0.0012	+0.0031	+0.0020
9.843	12.402	0	-0.0013	0	-0.0009	+0.0006	-0.0006	+0.0014	+0.0002	+0.0011	+0.0002	+0.0021	+0.0008	+0.0017	+0.0008	+0.0026	+0.0013	+0.0035	+0.0022
12.402	15.748	0	-0.0014	0	-0.0010	+0.0007	-0.0007	+0.0016	+0.0002	+0.0011	+0.0002	+0.0022	+0.0008	+0.0018	+0.0008	+0.0029	+0.0015	+0.0039	+0.0024
15.748	19.685	0	-0.0016	0	-0.0011	+0.0008	-0.0008	+0.0018	+0.0002	+0.0013	+0.0002	+0.0025	+0.0009	+0.0020	+0.0009	+0.0031	+0.0016	+0.0043	+0.0027

Bores

Nominal diameter of bore		INCH																			
		d11		e8		e7		f8		f7		g6		h11		h9		h8		h7	
above	to	upper	lower	upper	lower	upper	lower	upper	lower	upper	lower	upper	lower	upper	lower	upper	lower	upper	lower	upper	lower
0.118	0.236	+0.0041	+0.0012	+0.0015	+0.0008	+0.0013	+0.0008	+0.0011	+0.0004	+0.0009	+0.0004	+0.0006	+0.0002	+0.0030	0	+0.0012	0	+0.0007	0	+0.0005	0
0.236	0.394	+0.0051	+0.0016	+0.0019	+0.0010	+0.0016	+0.0010	+0.0014	+0.0004	+0.0011	+0.0005	+0.0008	+0.0002	+0.0035	0	+0.0014	0	+0.0009	0	+0.0006	0
0.394	0.709	+0.0063	+0.0020	+0.0023	+0.0013	+0.0020	+0.0013	+0.0017	+0.0005	+0.0013	+0.0006	+0.0009	+0.0002	+0.0043	0	+0.0017	0	+0.0011	0	+0.0007	0
0.709	1.181	+0.0077	+0.0026	+0.0029	+0.0016	+0.0024	+0.0016	+0.0021	+0.0006	+0.0016	+0.0008	+0.0011	+0.0003	+0.0051	0	+0.0020	0	+0.0013	0	+0.0008	0
1.181	1.969	+0.0094	+0.0031	+0.0035	+0.0020	+0.0030	+0.0020	+0.0025	+0.0007	+0.0020	+0.0010	+0.0013	+0.0004	+0.0063	0	+0.0024	0	+0.0015	0	+0.0010	0
1.969	3.150	+0.0114	+0.0039	+0.0042	+0.0024	+0.0035	+0.0024	+0.0030	+0.0008	+0.0024	+0.0012	+0.0016	+0.0004	+0.0075	0	+0.0029	0	+0.0018	0	+0.0012	0
3.150	4.724	+0.0134	+0.0047	+0.0050	+0.0028	+0.0042	+0.0028	+0.0035	+0.0010	+0.0028	+0.0014	+0.0019	+0.0005	+0.0087	0	+0.0034	0	+0.0021	0	+0.0014	0
4.724	7.087	+0.0156	+0.0057	+0.0058	+0.0033	+0.0049	+0.0033	+0.0042	+0.0011	+0.0033	+0.0017	+0.0021	+0.0006	+0.0098	0	+0.0039	0	+0.0025	0	+0.0016	0
7.087	9.843	+0.0181	+0.0067	+0.0068	+0.0039	+0.0057	+0.0039	+0.0048	+0.0013	+0.0038	+0.0020	+0.0024	+0.0006	+0.0114	0	+0.0045	0	+0.0028	0	+0.0018	0
9.843	12.402	+0.0201	+0.0075	+0.0075	+0.0043	+0.0064	+0.0043	+0.0054	+0.0014	+0.0043	+0.0022	+0.0027	+0.0007	+0.0126	0	+0.0051	0	+0.0032	0	+0.0020	0
12.402	15.748	+0.0224	+0.0083	+0.0084	+0.0049	+0.0072	+0.0049	+0.0059	+0.0016	+0.0047	+0.0024	+0.0030	+0.0007	+0.0142	0	+0.0055	0	+0.0035	0	+0.0022	0
15.748	19.685	+0.0248	+0.0091	+0.0091	+0.0053	+0.0078	+0.0053	+0.0065	+0.0018	+0.0052	+0.0027	+0.0033	+0.0008	+0.0157	0	+0.0061	0	+0.0038	0	+0.0025	0

Nominal diameter of shaft		INCH																			
		h6		J7		J6		K7		K6		M7		M6		N7		N6		P7	
above	to	upper	lower	upper	lower	upper	lower	upper	lower	upper	lower	upper	lower	upper	lower	upper	lower	upper	lower	upper	lower
0.118	0.236	+0.0003	0	+0.0002	-0.0003	+0.0002	-0.0002	-	-	-	-	0	-0.0005	0.0000	-0.0004	-0.0002	-0.0006	-0.0002	-0.0005	-0.0003	-0.0008
0.236	0.394	+0.0004	0	+0.0003	+0.0003	+0.0002	-0.0002	2E-04	-0.0004	0.0001	-0.0003	0	-0.0006	-0.0001	-0.0005	-0.0002	-0.0007	-0.0003	-0.0006	-0.0004	-0.0009
0.394	0.709	+0.0004	0	+0.0004	-0.0003	+0.0002	-0.0002	2E-04	-0.0005	0.0001	-0.0004	0	-0.0007	-0.0002	-0.0006	-0.0002	-0.0009	-0.0004	-0.0008	-0.0004	-0.0011
0.709	1.181	+0.0005	0	+0.0005	-0.0004	+0.0003	-0.0002	2E-04	-0.0006	0.0001	-0.0004	0	-0.0008	-0.0002	-0.0007	-0.0003	-0.0011	-0.0004	-0.0009	-0.0006	-0.0014
1.181	1.969	+0.0006	0	+0.0006	-0.0004	+0.0004	-0.0002	3E-04	-0.0007	0.0001	-0.0005	0	-0.0010	-0.0002	-0.0008	-0.0003	-0.0013	-0.0005	-0.0011	-0.0007	-0.0017
1.969	3.150	+0.0007	0	+0.0007	-0.0005	+0.0005	-0.0002	4E-04	-0.0008	0.0002	-0.0006	0	-0.0012	-0.0002	-0.0009	-0.0004	-0.0015	-0.0006	-0.0013	-0.0008	-0.0020
3.150	4.724	+0.0009	0	+0.0009	-0.0005	+0.0006	-0.0002	4E-04	-0.0010	0.0002	-0.0007	0	-0.0014	-0.0002	-0.0011	-0.0004	-0.0018	-0.0006	-0.0015	-0.0009	-0.0023
4.724	7.087	+0.0010	0	+0.001	-0.0006	+0.0007	-0.0003	5E-04	-0.0011	0.0002	-0.0008	0	-0.0016	-0.0003	-0.0013	-0.0005	-0.0020	-0.0008	-0.0018	-0.0011	-0.0027
7.087	9.843	+0.0011	0	+0.0012	-0.0006	+0.0009	-0.0003	5E-04	-0.0013	0.0002	-0.0009	0	-0.0018	-0.0003	-0.0015	-0.0006	-0.0024	-0.0009	-0.0020	-0.0013	-0.0031
9.843	12.402	+0.0013	0	+0.0014	-0.0006	+0.001	-0.0003	6E-04	-0.0014	0.0002	-0.0011	0	-0.0020	-0.0004	-0.0016	-0.0006	-0.0026	-0.0010	-0.0022	-0.0014	-0.0035
12.402	15.748	+0.0014	0	+0.0015	-0.0007	+0.0011	-0.0003	7E-04	-0.0016	0.0003	-0.0011	0	-0.0022	-0.0004	-0.0018	-0.0006	-0.0029	-0.0010	-0.0024	-0.0016	-0.0039
15.748	19.685	+0.0016	0	+0.0017	-0.0008	+0.0013	-0.0003	7E-04	-0.0018	0.0003	-0.0013	0	-0.0025	-0.0004	-0.0020	-0.0007	-0.0031	-0.0011	-0.0026	-0.0018	-0.0043

Fax Inquiry

To get a design proposal for RINGFEDER® shaft-hub-connections

RINGFEDER POWER TRANSMISSION Corp., P.O. Box 691 Westwood · NJ 07675

Fax +1 201 664 6053

From

Company

attn.

Dept.

Address

Phone

Fax

E-Mail

Please have someone contact me at the following number or email address:

To make it easier for our technical staff and to avoid errors or mistakes your inquiry should include the following information:

Information for technical service

Expected maximum loads:

Max. torque	T max.	=		lb-ft
Max. bending moment	M max.	=		lb-ft
Max. axial load	F max.	=		lbs
Max. radial load	F _r max.	=		lbs

Dimensions, materials:

Shaft diameter	d _w	=		inches
In case of hollow shaft, internal diameter	d _B	=		inches
Speed	n	=		rpm
Hub outside diameter	D _N	=		lbs
Hub width	B	=		inches
Hub material yield strength	R _{p0.2N}	=		psi
Shaft material yield strength	R _{p0.2W}	=		psi
Ambient temperature	Temp.	=		degree F

Additional information:

Please send a drawing or sketch together with your inquiry!

RINGFEDER PT CORPORATION · 165 Carver Avenue, P.O. Box 691 Westwood, NJ 07675, USA

Toll Free: +1 888 746-4333 · Phone: +1 201 666 3320 · Fax: +1 201 664 6053

E-mail: sales.usa@ringfeder.com · E-mail: sales.usa@gerwah.com

Delivery Program



Locking Devices



Locking Assemblies



Locking Elements



Shrink Discs®



Smart-Lock

Damping Technology



Friction Springs



DEFORM plus®
DEFORM plus® R

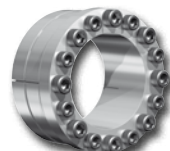


Fluid Elastomeric Damper

Special Solutions



Shaft Couplings



Locking Assemblies



Flange Couplings



Couplings



Magnetic Couplings



Metal Bellows Couplings



Servo-Insert Couplings



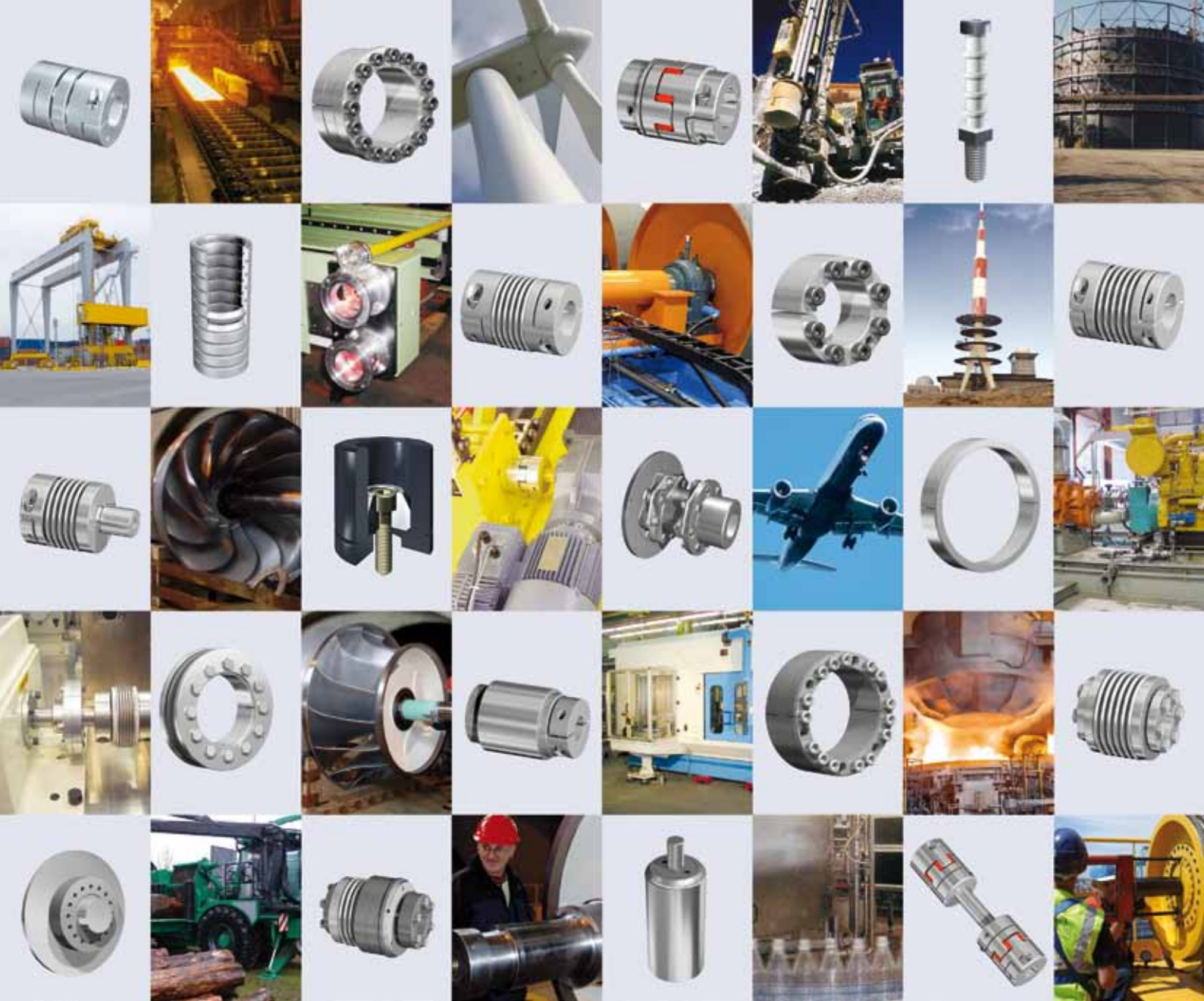
RING-flex® – torsionally rigid Disc Couplings



Safety Couplings



Line Shafts



RINGFEDER POWER TRANSMISSION GMBH

Werner-Heisenberg-Straße 18, D-64823 Groß-Umstadt, Germany · Phone: +49 (0) 6078 9385-0 · Fax: +49 (0) 6078 9385-100
 E-mail: sales.international@ringfeder.com · E-mail: sales.international@gerwah.com

RINGFEDER POWER TRANSMISSION USA CORPORATION

165 Carver Avenue, P.O. Box 691 Westwood, NJ 07675, USA · Toll Free: +1 888 746-4333 · Phone: +1 201 666 3320
 Fax: +1 201 664 6053 · E-mail: sales.usa@ringfeder.com · E-mail: sales.usa@gerwah.com

RINGFEDER POWER TRANSMISSION INDIA PRIVATE LIMITED

Plot No. 4, Door No. 220, Mount - Poonamallee Road, Kattupakkam, Chennai – 600 056, India
 Phone: +91 (0) 44-2679-1411 · Fax: +91 (0) 44-2679-1422 · E-mail: sales.india@ringfeder.com · E-mail: sales.india@gerwah.com

KUNSHAN RINGFEDER POWER TRANSMISSION COMPANY LIMITED

German Industry Park, No. 508 Hengguanjing Road, Zhangpu Town 215321, Kunshan City, P.R. China
 Phone: +86 (0) 512-5745-3960 · Fax: +86 (0) 512-5745-3961 · E-mail sales.china@ringfeder.com