

optional
stainless steel

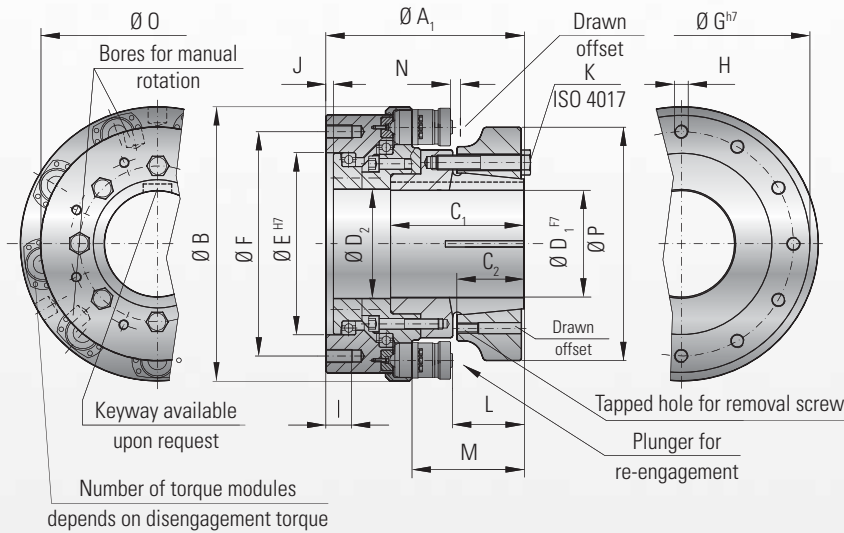
Full disengagement



MODEL STN

TORQUE LIMITER

with backlash free conical clamping connection



Material:

High-strength, nitro-carburized steel

Design:

Drive side: Coupling hub with tapered conical clamping connection

Driven side: Output flange with 12x fastening threads and integral bearings.

Torque modules: Evenly spaced around the circumference. Field adjustable within the selected range.

Temperature range:

-30 to +120° C

Service life:

Infinite life and maintenance free when operated within the technical specifications.

Fit tolerance:

Tolerance between hub and shaft 0.02 – 0.07 mm

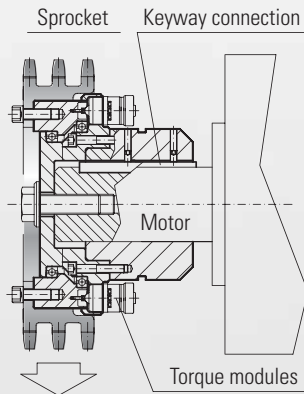
MODEL STN		Series											
		10			25			60			160		
Adjustment range available from - to (KNm)		1-6	2-10	6-18	2-8	4-15	10-25	8-18	15-35	30-60	20-50	40-100	80-160
		3 x ST 15	6 x ST 15	9 x ST 15	3 x ST 15	6 x ST 15	9 x ST 15	3 x ST 30	6 x ST 30	9 x ST 30	3 x ST 70	6 x ST 70	9 x ST 70
Overall length (mm)	A ₁	210			227			318			425		
Flange outside diameter (mm)	B	270			318			459			648		
Fit length / keyway length (mm)	C ₁	147			152			218			305		
Effective clamping length (mm)	C ₂	62			67			93			125		
Bore diameter possible Ø to Ø F7 (mm)	D ₁	65 - 110			70 - 150			80 - 200			140 - 290		
Bore diameter max. Ø F7 with keyway (mm)	D ₁	100			140			180			270		
Inside diameter (mm)	D ₂	110,2			140,2			200,2			290,2		
Flange centering diameter H7 (mm)	E	170			210			300			450		
Bolt circle diameter ±0.3 (mm)	F	220			260			360			570		
Outside diameter h7 (mm)	G	259			298			418			618		
Fastening threads	H	12 x M16			12 x M16			12 x M20			12 x M24		
Thread depth (mm)	I	25			30			35			40		
Fit length (mm)	J	6			8			8			10		
Tightening screw ISO 4017	K	8 x M16			9 x M16			8 x M20			8 x M24		
Tightening torque (Nm)	K	180			180			300			710		
Distance (mm)	L	72			80			94			151		
Distance (mm)	M	122			127			163			240		
Actuation path (mm)	N	4			4			7,5			10		
Bolt circle diameter - modules (mm)	O	220			270			376			532		
Hub outside diameter (mm)	P	218			278			378			535		
Moment of inertia (approx.) D max. (10 ⁻³ kgm ²)		446			789			5700			30700		
Speed max. (1/min.)		4200			3800			2500			2000		
Allowable max. radial force standard* (KN)		40			60			100			200		
Approx. weight at D max. (kg)		50			65			200			550		

* higher radial force through additional bearing support.



MODEL ST1 / STN

Mounting example with sprocket and keyway connection

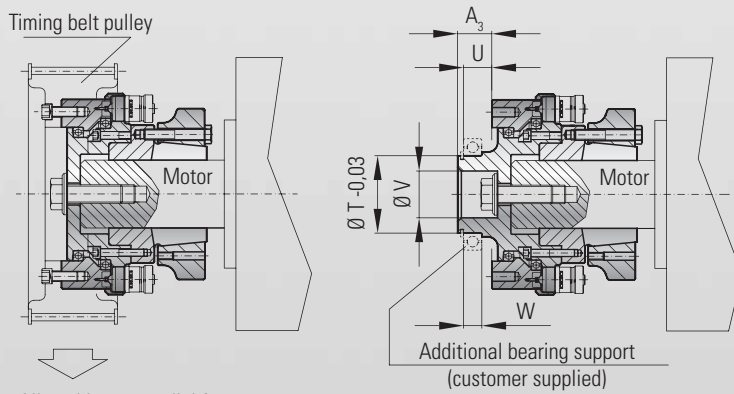


Ordering example

ST1 / 025 / 4-15 / 12 / 120 / 25 / xx

Model	ST1
Series	025
Adjustment range (KNm)	4-15
Disengagement torque (KNm)	12
Bore Ø D H7	120
Bore for fastening screw (Ø Q)	25
Non-standard (e.g. stainless steel)	xx

Mounting example with timing belt pulley and conical clamping hub



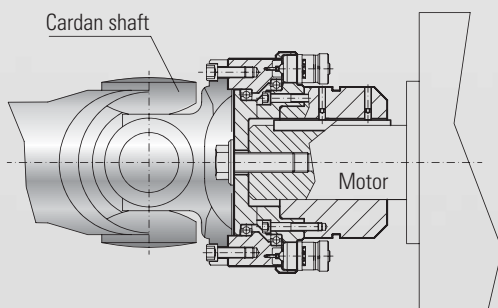
Allowable max. radial force

Ordering example

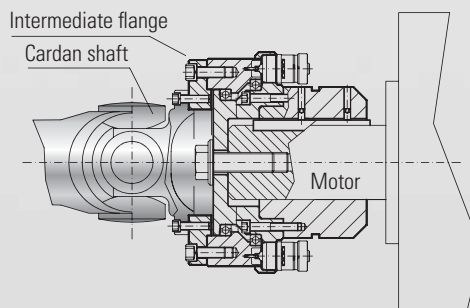
STN / 025 / 4-15 / 12 / 120 / 25 / xx

Model	STN
Series	025
Bore Ø D H7	120
Bore for fastening screw (Ø Q)	25
Adjustment range (KNm)	4-15
Disengagement torque (KNm)	12
Non-standard (e.g. stainless steel)	xx

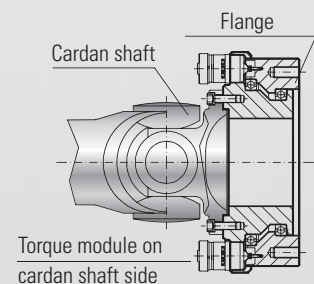
Mounting example for cardan shafts



Bolt circle and centering diameter are matched to the cardan shaft.



Mounting with intermediate flange.



Flange mounting on both sides possible.