

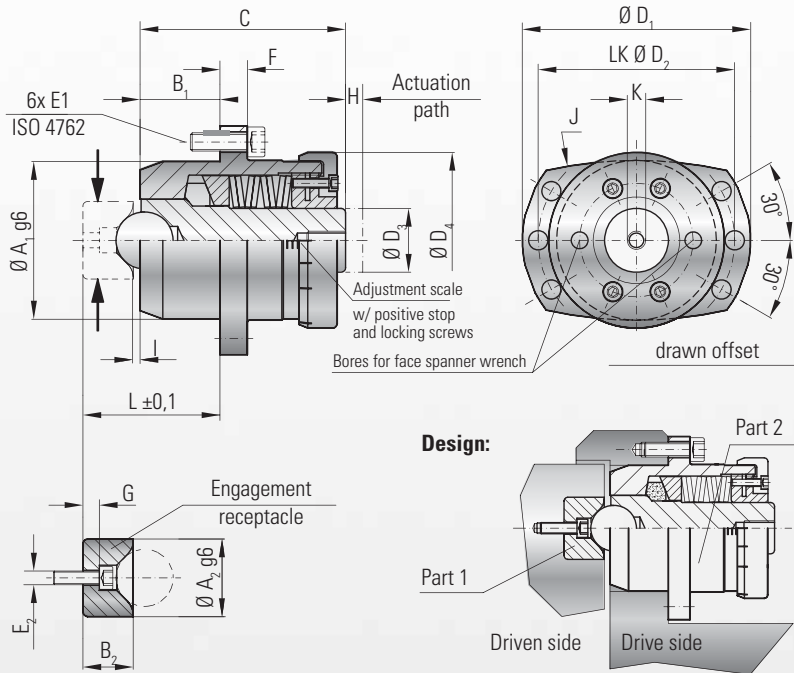
optional
stainless
steel

Full disengagement



MODEL ST

TORQUE MODULE



Material: High-strength, nitro-carburized steel

Design: Two part assembly for installation into prefabricated coupling components.

Part 1: Engagement receptacle

Part 2: Module with self-contained, spring loaded plunger.

The spring tension is adjustable in the field.

The set force is visible on the adjustment scale.

Temperature range: -30 to +120° C

Service life: Infinite life and maintenance free when operated within the technical specifications.

Fit tolerance: For mounting of the ST torque modules, an H7 bore tolerance is required.

Re-engagement: The modules are re-engaged by applying an axial force to the plunger when a synchronized angularity of the drive and driven side is present.

MODEL ST		Series		
		15	30	70
Tangential force (KN)	1	1-4	5-10	8-20
Adjustment range available from - to (ranges)	2	2-8	10-20	15-40
	3	6-20	20-35	30-70
Centering diameter torque module g6 (mm)	A ₁	40	70	90
Centering diameter engagement receptacle g6 (mm)	A ₂	24	34	44
Centering length torque module (mm)	B ₁	20	35	45
Centering length engagement receptacle (mm)	B ₂	14	22	30
Overall length (mm)	C	70	103	135
Outside diameter (mm)	D ₁	59	100	129
Bolt circle diameter (mm)	D ₂	50	86	110
Diameter plunger (mm)	D ₃	16	28	35
Diameter adjustment nut (mm)	D ₄	44	75	92
Screw / tightening torque ISO 4762 (mm)	E ₁	6 x M5 x 16 / 10 Nm	6 x M8 x 25 / 40 Nm	6 x M12 x 35 / 120 Nm
Screw / tightening torque ISO 4762 (mm)	E ₂	M4 x 14 4.5 Nm	M6 x 20 15.5 Nm	M8 x 25 38 Nm
Flange thickness (mm)	F	7	12	16
Distance (mm)	G	5	8	10
Actuation path (mm)	H	4	7.5	10
Distance (mm)	I	2	3	4
Radius (mm)	J	110	200	250
Inner thread (mm)	K	M8 x 15	M10 x 25	M16 x 30
Distance ± 0,1 (mm)	L	36	60	79
Weight (kg)		0.65	2.7	6

axial spring force ≈ tangential force/1.4

optional
stainless
steel

MODEL ST

Ordering example

ST / 30 / 2 / 12 / xx

Model
Series
Adjustment range 1/2/3
Tangential force (KN)
Non-standard (e.g. stainless steel)

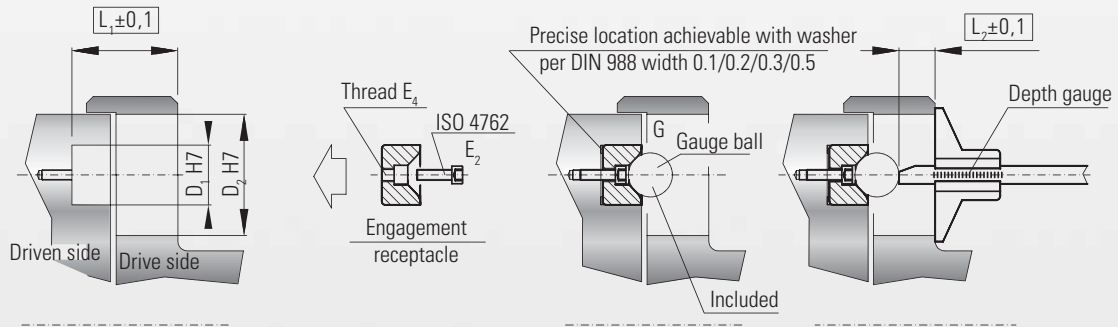
Maintenance

The ST modules are lubricated and sealed for life. Routine maintenance is not required. The modules have an extreme service life, however, after several disengagements, the function of the modules should be checked.

Mounting instructions ST

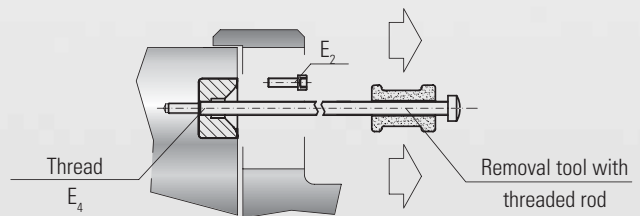
Mounting engagement receptacle

Note: Measurements L1 and L2 must be checked prior to installing the torque modules.

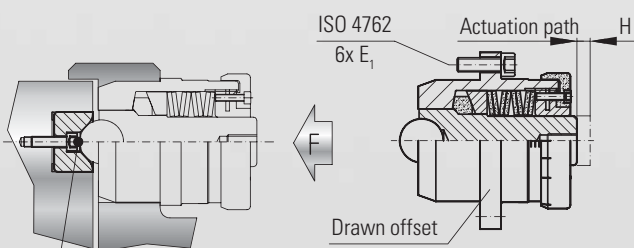


Dismounting of engagement receptacle

After loosening the mounting screw E2, the engagement receptacle can be dismounted with a removal tool.



Mounting of torque module



Note: Prior to mounting the torque module, the ball seat must be lubricated (e.g. Klüber Isoflex Topas NB 52).

MODEL ST		Series		
		15	30	70
Screws	E ₁	6 x M5 x 16 (12.9)	6 x M8 x 25 (12.9)	6 x M12 x 35 (12.9)
Tightening torque		10 Nm	40 Nm	120 Nm
Screws	E ₂	1 x M4 x 12	1 x M6 x 20	1 x M8 x 25
Tightening torque		4,5 Nm	15,5 Nm	38 Nm
Screws	E ₃	4 x M4 x 14	4 x M4 x 16	4 x M5 x 20
Tightening torque		4,5 Nm	4,5 Nm	10 Nm
Thread	E ₄	M5	M8	M10
Actuation path	H	4 mm	7,5 mm	10 mm
Restoring force	F	max. 2 KN	max. 4 KN	max. 6 KN
Fit length	L ₁ ±0,1	36	60	79
Depth measurement	L ₂ ±0,1	10	20,5	29
Gauge ball	Ø G	16	25	30