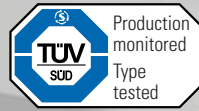




single-position
multi-position
full disengagement

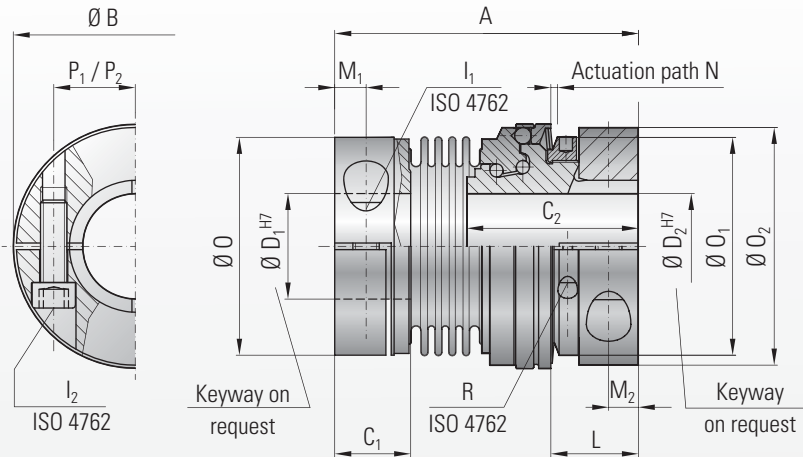


MODEL SL2



BACKLASH FREE TORQUE LIMITER

with clamping hubs and metal bellows



Design:

Clamping hub with one ISO 4762 screw per hub. Components of compact and rigid design with backlash free interface. Misalignment compensation via torsionally rigid bellows

Temperature range: -30 to +100°C

Service life: These couplings are maintenance free and stable over their entire service life if technical limits are not exceeded

Fit tolerance: Overall clearance between shaft and hub 0.01-0.05 mm

Function system:

W = single position engagement (standard)
D = multi position engagement every 60° (30, 45, 90° optional)
F = full disengagement on request

Model SL2	Series										
	30		60		150		300				
Adjustment range* from - to (Nm)	T_{KN}	10-35	30-80	20-50	40-100	40-100	100-200	100-250	200-350	300-400	
Overall length (mm)	A	80	93	112	126						
Actuation ring diameter (mm)	B	63	74	92	118						
Hub length (mm)	C_1/C_2	21/45	23/53	28 / 63	34/72						
Bore diameter from Ø to Ø H7 (mm)	D_1/D_2	12-32/12-30	16-35 / 16-35	19-42 / 19-48	22-60 / 22-60						
ISO 4762 screw (mm)	I_1/I_2	M6	M8	M10	M12						
Tightening torque (Nm)	L	15	40	75	130						
Distance to actuation ring edge (mm)	L	22	27	32	35						
Distance (mm)	M_1/M_2	7.5/7.5	9.5/9	11/11	13/12						
Actuation path (mm)	N	1.3	1.5	1.8	2						
Clamping hub Ø, (coupling end) (mm)	O	55.5	66	82	110						
Adjustment nut Ø (mm)	O_1	55	66	82	100						
Clamping ring Ø, (torque limiter end) (mm)	O_2	59	72	90	112						
Distance between centers, bellows side/safety element (mm)	P_1/P_2	20/21.5	23 / 25	27/33	39/41						
Adjustment nut's clamp screw ISO 4762	R	M3	M3	M3	M4						
Tightening torque (Nm)	R	2	2	2	4.5						
Approx. weight (kg)		0.4	0.7	1.2	2.5						
Approx. moment of inertia at D max. (10^{-3} Kg m^2)	J_{GES}	0.2	0.8	1.4	6.2						
Torsional stiffness (10^3 Nm/rad)		31	72	141	157						
Lateral ± max. (mm)		0.2	0.2	0.2	0.25						

* max. transmittable torque depends on the bore diameter; see table on page 4. (1Nm = 8.85 in lbs)

max. misalignment for bellows



Angular misalignment
± 1°



Axial misalignment
± 2 mm



Lateral misalignment
see table above

Ordering specifications

SL2 / 060 / W / 30 / 20 / 80 / 40-100 / XX

Model	SL2
Series	060
Function system	W
Bore Ø D1H7	30
Bore Ø D2H7	20
Disengagement torque (Nm)	80
Adjustment range (Nm)	40-100
Special feature, e.g. stainless steel	XX