



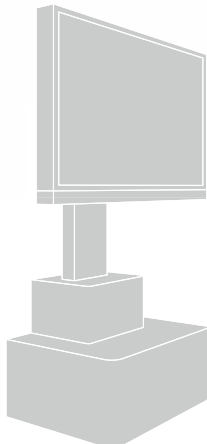
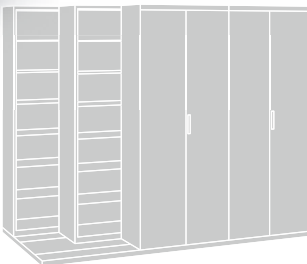
Utility Slide

UGR

A compact slide rail with a large permissible load.
It can easily be installed, and is optimal for linear motion guides of household and office equipments.



For details, visit THK at www.thk.com
*Product information is updated regularly on the THK website.



Utility Slide UGR

Utility Slide model UGR is used in various applications including household and office equipments.

Since it is capable of supporting a large load despite the slim body, it allows the equipment to be compact and simply designed.

- **Stable motion**

Uses a rolling guide based on a ball-recirculating system.

- **Easy installation**

It can be installed with bolts. In addition, it does not require clearance adjustment. Therefore, the installation time can be reduced significantly.

- **Compact size, large-load capacity**

One unit of the slider achieves a permissible load of 3,430 N (radial direction) despite the compact size with height of 20 mm and width of 32 mm. You can select a desired number of sliders, and the rail length is available up to 2,960 mm.

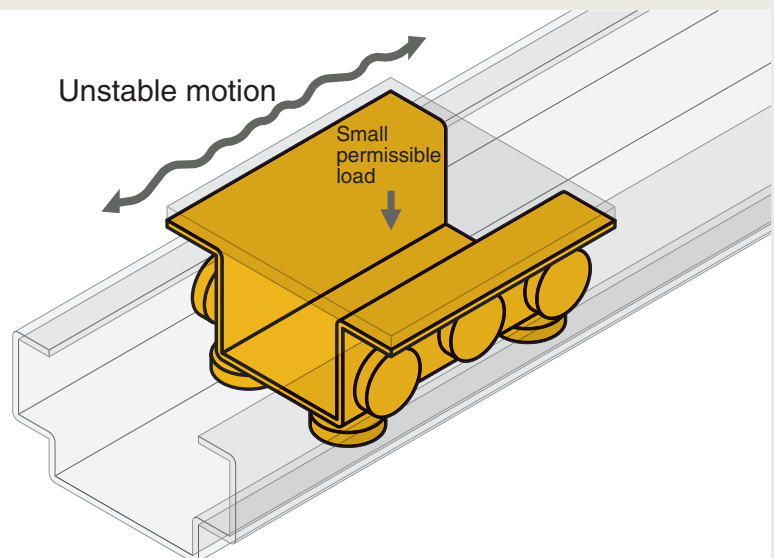
- **Capable of receiving a load in any direction**

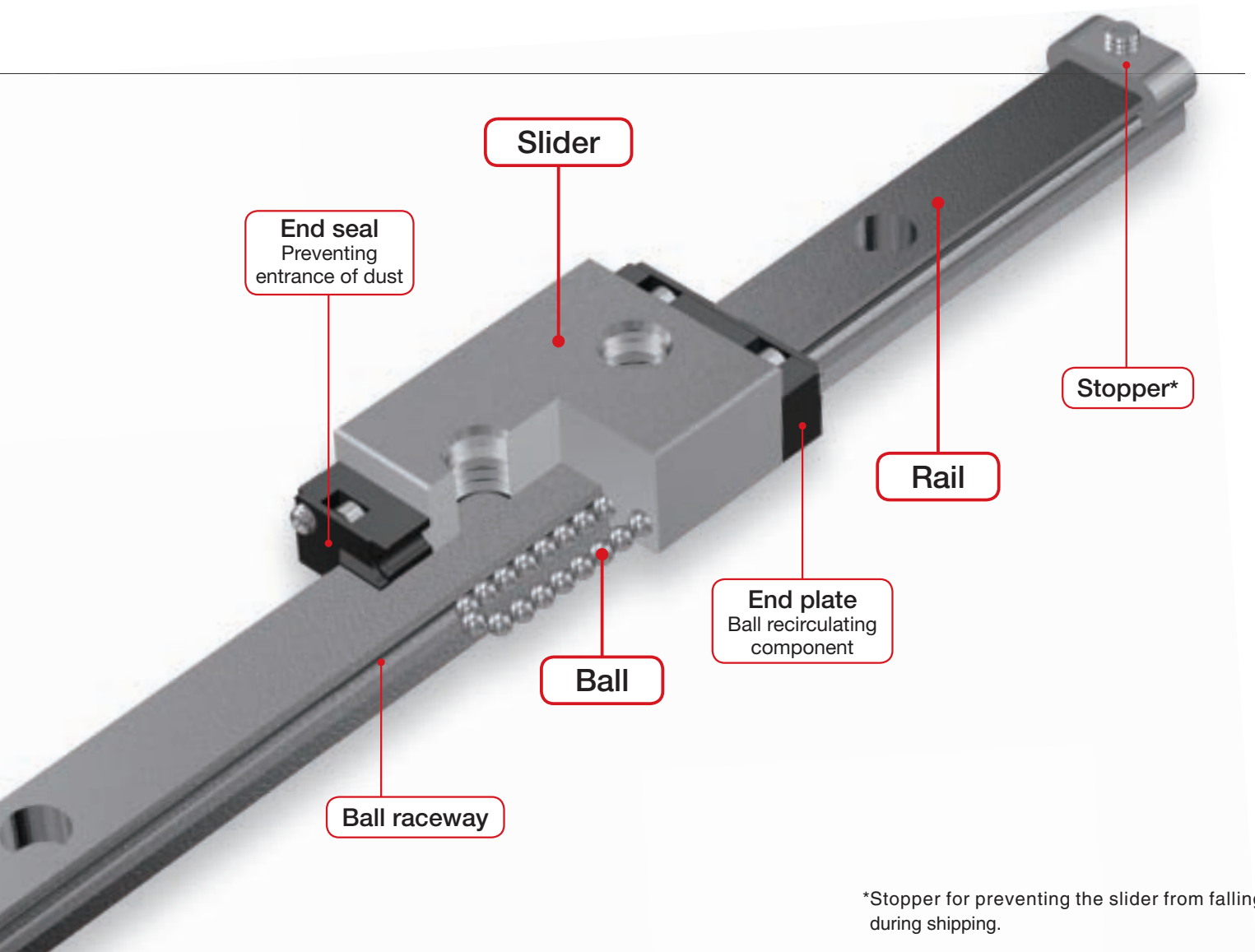
Model UGR can be used in any mounting orientation, such as horizontal, vertical, incline, wall-mount and inverted mount.

Advantage of the Utility Slide

Comparison with the Roller Guide

In case of the Roller Guide





*Stopper for preventing the slider from falling during shipping.

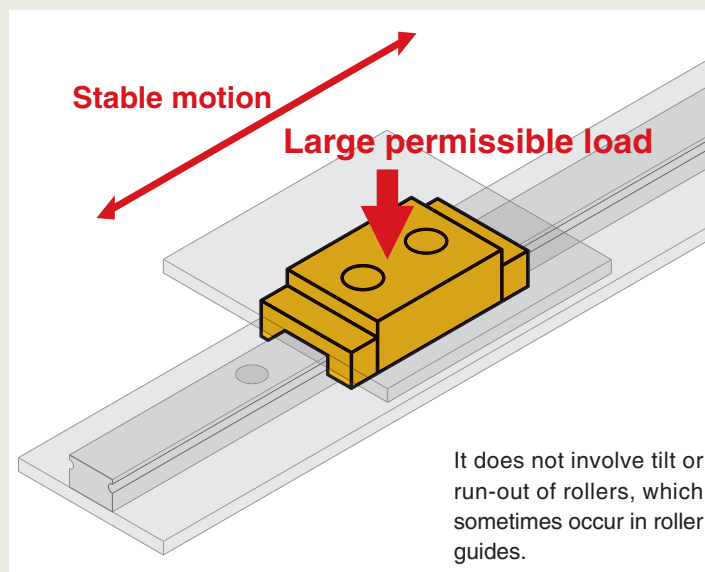
Permissible load

Since the permissible load is small for a large roller guide unit, a sufficient installation space is required.

Clearance adjustment

It is difficult to adjust the clearance, resulting in heavy motion and a large backlash.

In Case of Utility Slide Mode UGR



It does not involve tilt or run-out of rollers, which sometimes occur in roller guides.

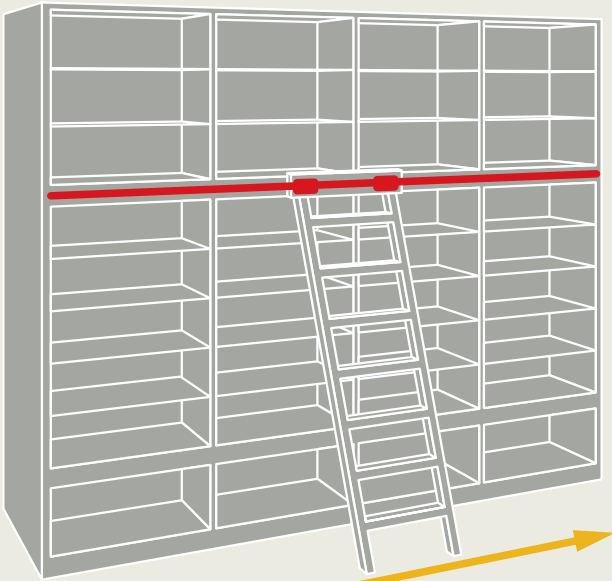
Permissible load

Since the permissible load is high, compact design is allowed.

Clearance adjustment

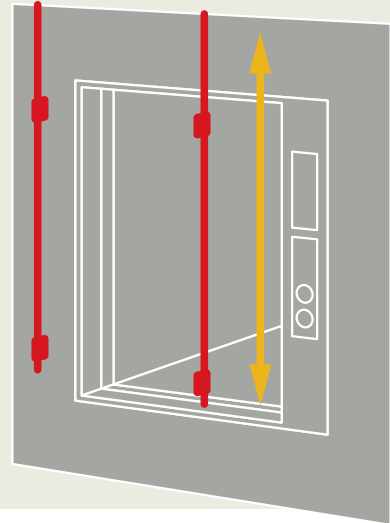
The clearance has been adjusted (maximum radial clearance +0.05 mm)

Store

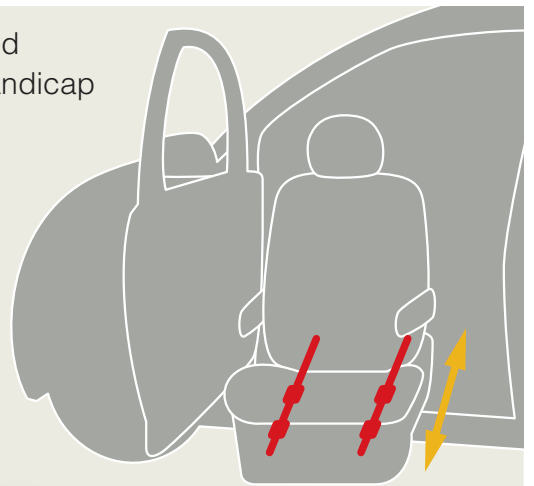


● Movable ladder installed on a large rack

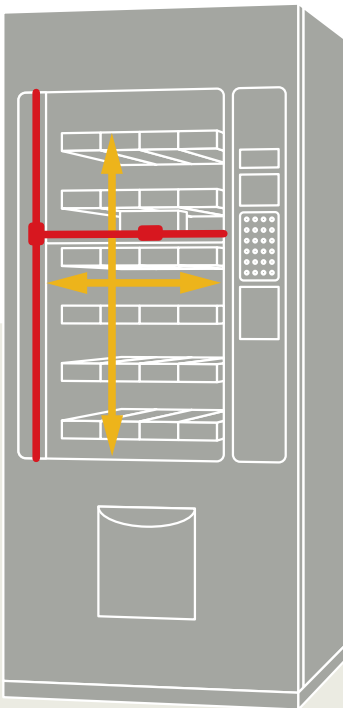
● Parcels elevator



● Motorized lift for handicap vehicles

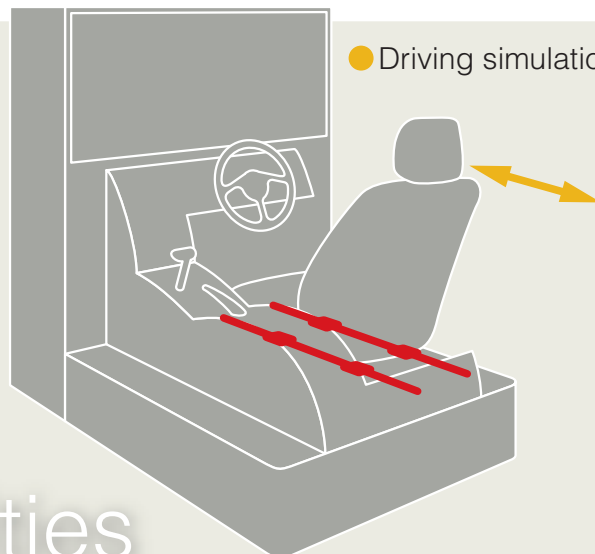


Handicap equipment

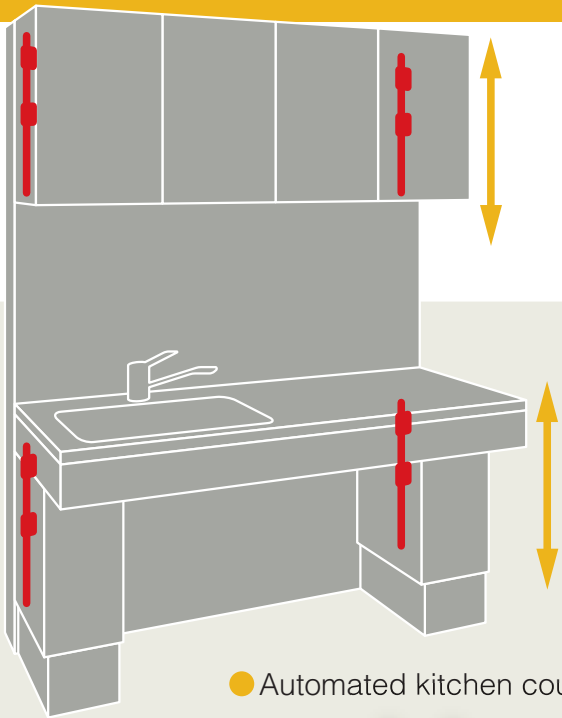


● General-purpose vending machine

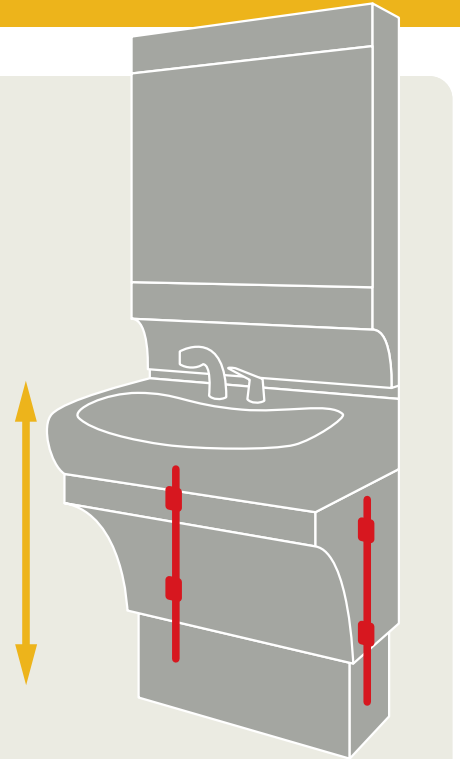
● Driving simulation game



Other facilities

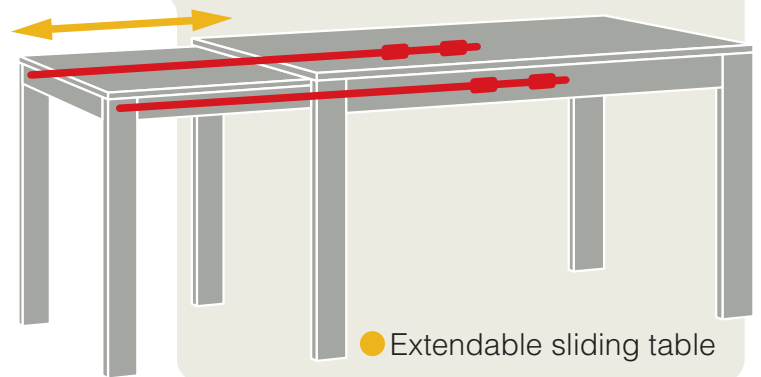


● Automated kitchen counter lift

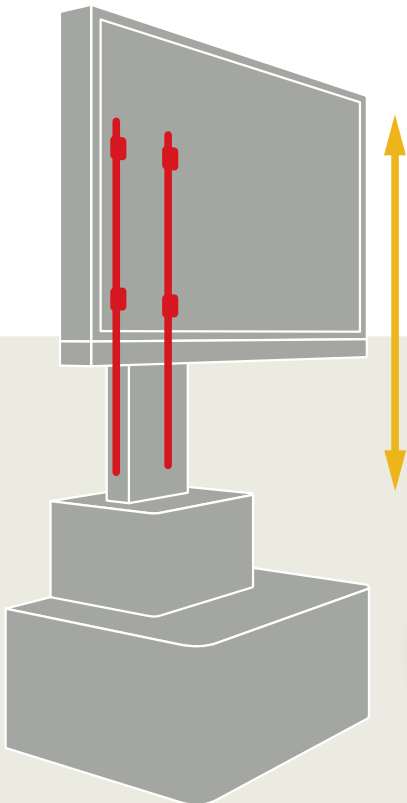


● Automated bathroom counter lift

Housing

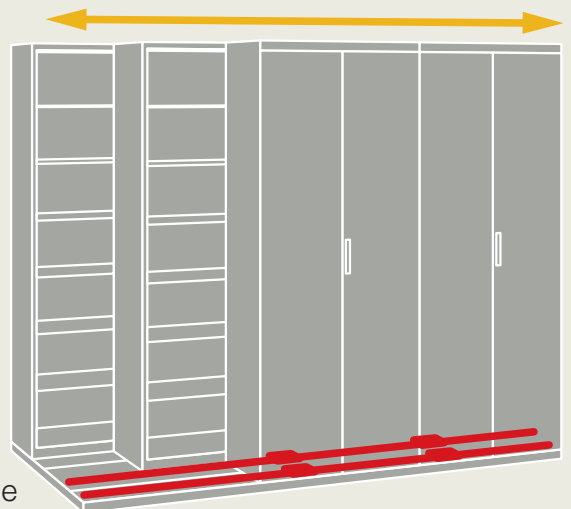


● Extendable sliding table



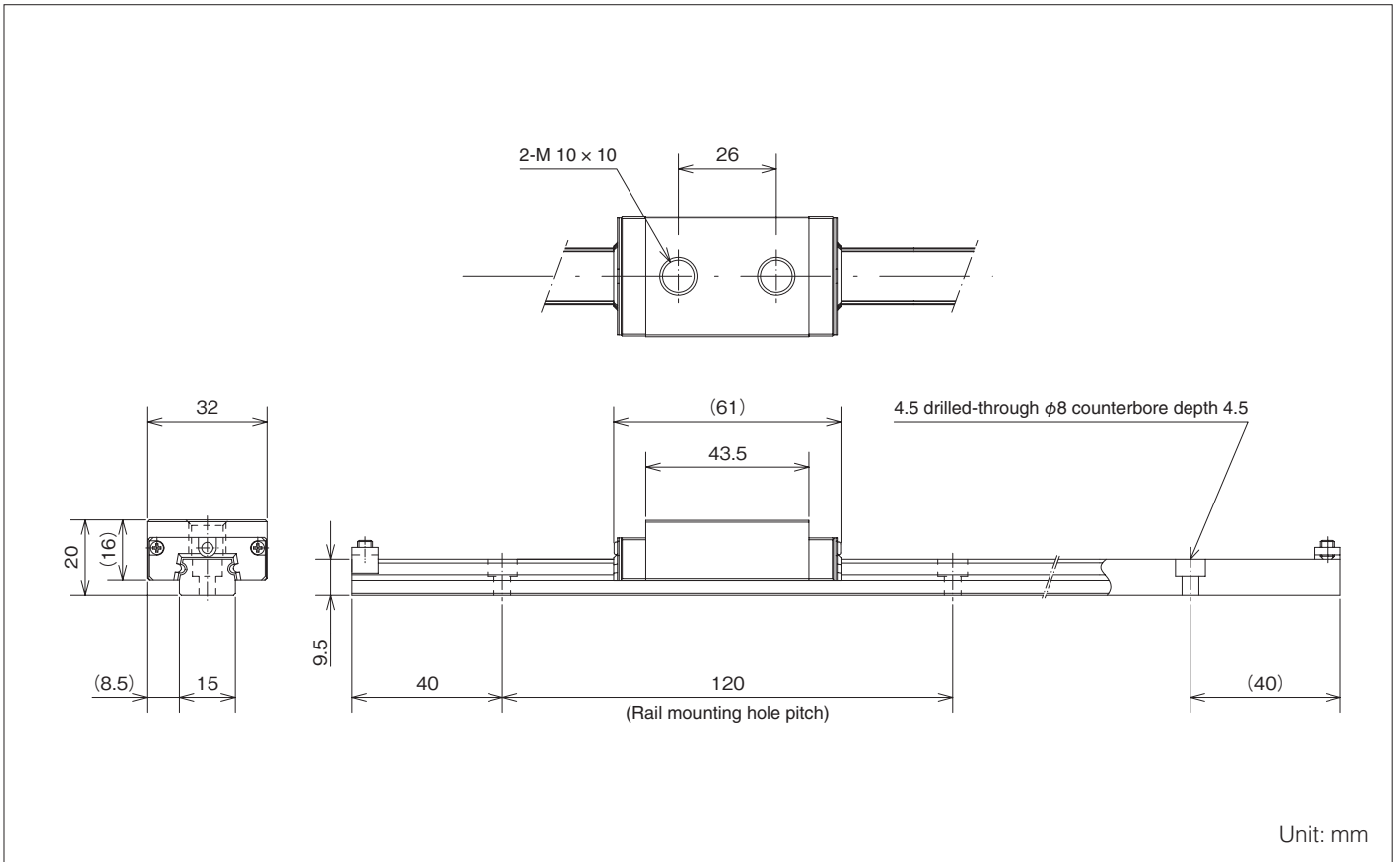
● Flat Panel Display lifting unit

Office



● Sliding storage

UGR External Dimension



UGR Model Number Coding

2 UGR 680

Number of
sliders

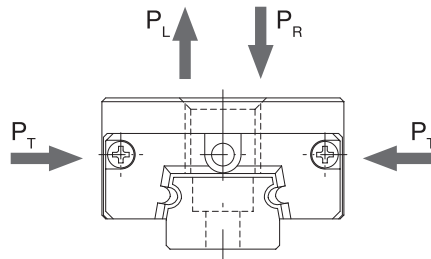
Model number

Rail length

Standard rail length: 200, 440, 680 and 920 mm

Note: The rail length is available up to 2,960 mm. If you desire a rail length other than the standard lengths, contact THK.

UGR Permissible Load



Unit: N

Model number	Permissible load		
	Radial direction (P_R)	Reverse-radial direction (P_L)	Lateral direction (P_T)
UGR	3430	2700	2700

Note: The values do not include the strength of the bolts used for installing the product.

UGR Precautions on Using

● Handling

- Do not disassemble components. This may cause dust to enter the system and lose its functionality.
- If the slider comes off from the rail, balls may fall. Both ends of the rail are provided with stoppers for preventing balls from falling. However, please handle with care.
- Tilting the slider or the rail may cause it to fall by its own weight.
- Do not drop or hit the Utility Slide. This may damage it and/or cause injuries. Impacting to the Utility Slide could also cause functional loss even if the product appears intact.
- Note that the permissible load of the Utility Slide varies with loading directions.
- Take care that foreign material does not enter the slider. This may cause damage to the ball circulating component or functional loss.
- If foreign material adheres to the product, replenish the lubricant after cleaning the product.
- Avoid using the product at other than normal temperature, or using it in harsh conditions such as intensive reciprocations that generate frictional heat and environments with water or dust. This may damage the product and lose its functionality.
- When using the Utility Slide with inverted mount, breakage of the slider due to an accident or the like may cause balls to fall and the slider to come off from the rail. In these cases, take preventive measures by adding a safety mechanism.

● Lubrication

- The slider and the ball-circulating component are applied with black lithium-soap type grease. Do not mix lubricants of different physical properties.

● Storage

- When storing the Utility Slide, enclose it in a package designated by THK and store it while avoiding high/low temperatures and high humidity.

Utility Slide UGR

THK CO., LTD.

HEAD OFFICE 3-11-6, NISHI-GOTANDA, SHINAGAWA-KU, TOKYO 141-8503 JAPAN
INTERNATIONAL SALES DEPARTMENT PHONE:+81-3-5434-0351 FAX:+81-3-5434-0353

Global site : <http://www.thk.com/>

NORTH AMERICA

THK America, Inc.

● HEADQUARTERS

Phone:+1-847-310-1111 Fax:+1-847-310-1271

● CHICAGO OFFICE

Phone:+1-847-310-1111 Fax:+1-847-310-1182

● NORTH EAST OFFICE

Phone:+1-845-369-4035 Fax:+1-845-369-4909

● ATLANTA OFFICE

Phone:+1-770-840-7990 Fax:+1-770-840-7897

● LOS ANGELES OFFICE

Phone:+1-949-955-3145 Fax:+1-949-955-3149

● SAN FRANCISCO OFFICE

Phone:+1-925-455-8948 Fax:+1-925-455-8965

● DETROIT OFFICE

Phone:+1-248-858-9330 Fax:+1-248-858-9455

● TORONTO OFFICE

Phone:+1-905-820-7800 Fax:+1-905-820-7811

SOUTH AMERICA

THK Brasil LTDA

Phone:+55-11-3767-0100 Fax:+55-11-3767-0101

EUROPE

THK GmbH

● EUROPEAN HEADQUARTERS

Phone:+49-2102-7425-555 Fax:+49-2102-7425-556

● DÜSSELDORF OFFICE

Phone:+49-2102-7425-0 Fax:+49-2102-7425-299

● FRANKFURT OFFICE

Phone:+49-2102-7425-650 Fax:+49-2102-7425-699

● STUTTGART OFFICE

Phone:+49-7150-9199-0 Fax:+49-7150-9199-888

● MÜNCHEN OFFICE

Phone:+49-8937-0616-0 Fax:+49-8937-0616-26

● U.K. OFFICE

Phone:+44-1908-30-3050 Fax:+44-1908-30-3070

● ITALY MILANO OFFICE

Phone:+39-039-284-2079 Fax:+39-039-284-2527

● ITALY BOLOGNA OFFICE

Phone:+39-051-641-2211 Fax:+39-051-641-2230

● SWEDEN OFFICE

Phone:+46-8-445-7630 Fax:+46-8-445-7639

● AUSTRIA OFFICE

Phone:+43-7229-51400 Fax:+43-7229-51400-79

● SPAIN OFFICE

Phone:+34-93-652-5740 Fax:+34-93-652-5746

● TURKEY OFFICE

Phone:+90-216-362-4050 Fax:+90-216-569-7150

● PRAGUE OFFICE

Phone:+420-2-41025-100 Fax:+420-2-41025-199

● MOSCOW OFFICE

Phone:+7-495-649-80-47 Fax:+7-495-649-80-44

THK Europe B.V.

● EINDHOVEN OFFICE

Phone:+31-040-290-9500 Fax:+31-040-290-9599

THK France S.A.S.

Phone:+33-4-3749-1400 Fax:+33-4-3749-1401

CHINA

THK (CHINA) CO.,LTD.

● HEADQUARTERS

Phone:+86-411-8733-7111 Fax:+86-411-8733-7000

● SHANGHAI OFFICE

Phone:+86-21-6219-3000 Fax:+86-21-6219-9890

● BEIJING OFFICE

Phone:+86-10-8441-7277 Fax:+86-10-6590-3557

● CHENGDU OFFICE

Phone:+86-28-8526-8025 Fax:+86-28-8525-6357

● GUANGZHOU OFFICE

Phone:+86-20-8523-8418 Fax:+86-20-3801-0456

● SHENZHEN OFFICE

Phone:+86-755-2642-9587 Fax:+86-755-2642-9604

THK (SHANGHAI) CO.,LTD.

Phone:+86-21-6275-5280 Fax:+86-21-6219-9890

TAIWAN

THK TAIWAN CO.,LTD.

● TAIPEI HEAD OFFICE

Phone:+886-2-2888-3818 Fax:+886-2-2888-3819

● TAICHUNG OFFICE

Phone:+886-4-2359-1505 Fax:+886-4-2359-1506

● TAINAN OFFICE

Phone:+886-6-289-7668 Fax:+886-6-289-7669

KOREA

SEOUL REPRESENTATIVE OFFICE

Phone:+82-2-3468-4351 Fax:+82-2-3468-4353

SINGAPORE

THK LM SYSTEM Pte. Ltd.

Phone:+65-6884-5500 Fax:+65-6884-5550

THAILAND

THK LM System Pte.Ltd.Representative Office in Thailand

Phone:+660-2751-3001 Fax:+660-2751-3003

INDIA

BANGALORE REPRESENTATIVE OFFICE

Phone:+91-80-2330-1524 Fax:+91-80-2330-1524

