



# New Thomson Food Grade FluoroNyliner Bushing Bearings

**Corrosion resistant self lubricating bushing bearings**

## Description

Thomson Food Grade FluoroNyliner Bushing Bearings are the first stainless steel, corrosion resistant self lubricating bushing bearing with FDA compliant liner materials. They are designed for use in food processing, pharmaceutical and medical applications.

The corrosion resistant sleeve is stainless steel, while the self lubricating liner is FDA and USDA compliant.

As the bearing does not utilize ball bearings, it can be run on soft shafting such as Thomson "corrosion proof" 316 Stainless Steel or Ultra Light Aluminum LinearRace shafting, making the Food Grade FluoroNyliner excel in washdown applications.

## Features and Benefits

- 303 Stainless Steel corrosion resistant shell will not rust or otherwise contaminate applications
- Self lubricating liner eliminates costly maintenance and labor
- Non-magnetic and corrosion resistant
- FDA, USDA and washdown compliant
- Special machining options available
- Available in Open and Closed types

### For immediate assistance

E-mail: [thomson@thomsonlinear.com](mailto:thomson@thomsonlinear.com)  
Tel. North America: +1 540-633-3549  
Tel. Europe: +46 (0) 44-24-67-200  
Tel. Asia: +86 10-651-20195  
[www.thomsonlinear.com](http://www.thomsonlinear.com)

 **THOMSON**<sup>®</sup>  
*Linear Motion. Optimized.™*

## Food Grade FluoroNyliner Bushing Bearings Characteristics

Maximum PV, continuous	10,000 psi ft/min
Maximum P, static	1,000 psi
Maximum V, no load	400 ft/min
Temperature Range	-400° F to 385° F
Shaft Finish, recommended	8-16 Ra
Coefficient of Friction	.12 - .20

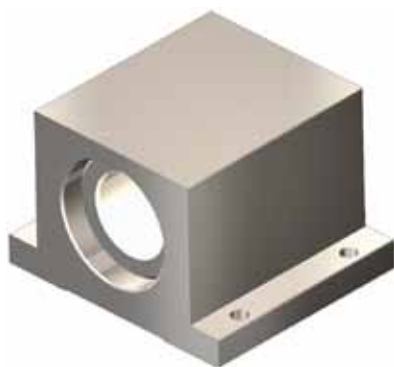
## FluoroNyliner LinearRace® Options

Food Grade FluoroNyliner Bushing bearings can be combined with a wide range of corrosion resistant LinearRace options, depending on the application requirements:

- **440C Stainless Steel**      Corrosion resistant shafting with 50 HRC min case hardness
- **316 Stainless Steel**      “Corrosion proof” shafting with no carbon content
- **Ultra Light Aluminum**      Hard anodized coated, light weight aluminum shafting
- **Plated 60 Case Options**      include Hard Chrome, Thin Dense Chrome, and Black Oxide

## Pillow Block Options

Stainless steel pillow block assemblies are also available per request in Closed, Open and Flanged styles, all of which are available as single or twin styles.



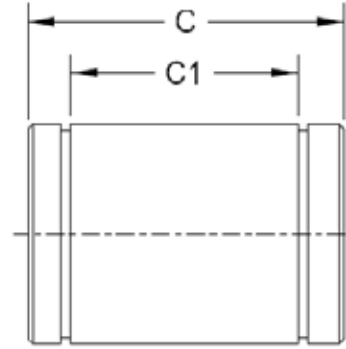
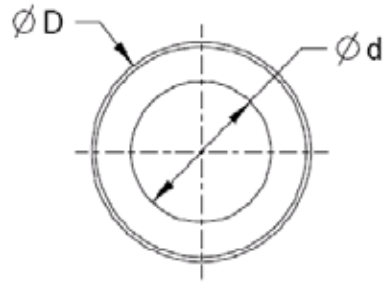
**Closed**



**Open**

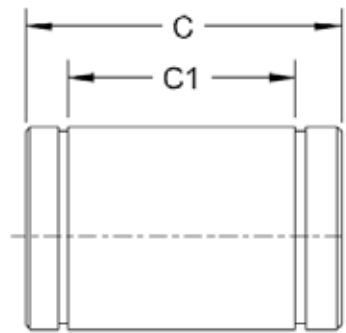
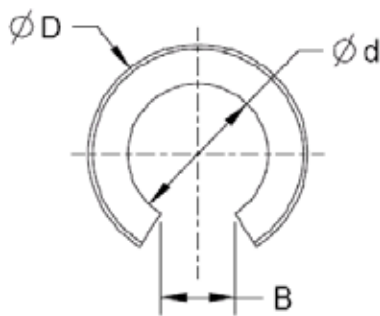


**Flanged**



**Closed Type**

Part Number	Nominal Bearing Diameter	Working Bore Diameter (d)	Outside Diameter (D)	Length (C)	Distance Between Retaining Rings (C1)	Bearing Weight (lbs)
FNYBU06F	3/8	.3765/.3755	.6250/.6240	.875/.860	.562	.016
FNYBU08F	1/2	.5015/.5005	.8750/.8740	1.250/1.235	.875	.041
FNYBU10F	5/8	.6265/.6255	1.1250/1.1240	1.500/1.485	1.000	.091
FNYBU12F	3/4	.7518/.7508	1.2500/1.2490	1.625/1.610	1.062	.109
FNYBU16F	1	1.0018/1.0008	1.5625/1.5615	2.250/2.235	1.625	.228
FNYBU20F	1 1/4	1.2518/1.2508	2.0000/1.9990	2.625/2.605	1.875	.459
FNYBU24F	1 1/2	1.5018/1.5008	2.3750/2.3735	3.000/2.980	2.250	.750

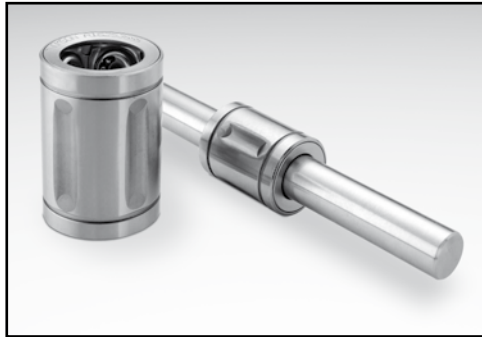


**Open Type**

Part Number	Nominal Bearing Diameter	Working Bore Diameter (d)	Outside Diameter (D)	Length (C)	Distance Between Retaining Rings (C1)	Slot Width Min (B)	Bearing Weight (lbs)
FNYBU06FOPN	3/8	.3765/.3755	.6250/.6240	.875/.860	.562	.156	.013
FNYBU08FOPN	1/2	.5015/.5005	.8750/.8740	1.250/1.235	.875	.312	.034
FNYBU10FOPN	5/8	.6265/.6255	1.1250/1.1240	1.500/1.485	1.000	.375	.072
FNYBU12FOPN	3/4	.7518/.7508	1.2500/1.2490	1.625/1.610	1.062	.438	.091
FNYBU16FOPN	1	1.0018/1.0008	1.5625/1.5615	2.250/2.235	1.625	.563	.184
FNYBU20FOPN	1 1/4	1.2518/1.2508	2.0000/1.9990	2.625/2.605	1.875	.625	.381
FNYBU24FOPN	1 1/2	1.5018/1.5008	2.3750/2.3735	3.000/2.980	2.250	.750	.630

## Corrosion Resistant Options

Thomson offers multiple corrosion resistant linear bearing alternatives



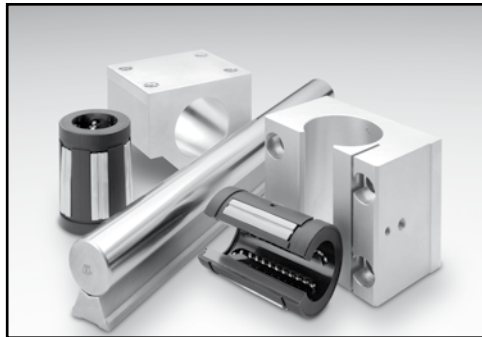
### Stainless Steel Precision Steel Ball Bushing Bearings

Thomson "A" Ball Bushing Bearings are available with all 440 stainless steel components to resist rust and corrosion. The all-steel construction also allows the "A" bearing to operate in high temperatures up to 600°F.



### Stainless Steel MultiTrac Ball Bushing Bearings

Thomson Metric MultiTrac Ball Bushing bearings are available with 440 stainless steel sleeves and ball bearings. The dual track, engineered-polymer retainer provides twice the load carrying capacity of conventional ball bushing bearings, as well as quiet, smooth motion.



### Corrosion Resistant Super and Super Smart Ball Bushing Bearings

Thomson self-aligning Super and Super Smart Ball Bushing Bearings are available with 440 stainless steel ball bearings and thin dense chrome plated bearing plates.



### Corrosion Resistant LinearRace shafting

Thomson 60 Case LinearRace shafting is available in many corrosion resistant options, including AISI 440C stainless steel, AISI 316 stainless steel, and multiple plating types. FluoroNyliner Bushing bearings can also be used in combination with the new Thomson Ultra Light Aluminum shafting.

201011-01 TPS 1k 11/2010 USA  
Specifications are subject to change without notice. It is the responsibility of the product user to determine the suitability of this product for a specific application. All trademarks property of their respective owners.  
© 2010 Thomson Industries, Inc.